

Welcome to the SNG Barratt Jaguar XK Parts Catalogue

Following the Worldwide success of our Definitive Jaguar Owners Catalogue which covers over 20 classic models in one 300 page publication we have taken the decision to release a range of more detailed catalogues for each of the more popular models that we cover. This will allow us to better illustrate the parts we have available and to make identification of the item required a little easier.

How to use this catalogue...

Use the illustration in each section to identify the component that you require. Note the indicated item number and find the corresponding number in the section listing. There you will see our part number for that item, the description and to it's right the quantity required per car. Very often this will be the original Jaguar part number, thus allowing you to refer to an original factory parts catalogue if more detail is required.

Each part number is listed in our price list. This listed price is per item and is plus VAT (or BTW or Mwst where applicable), except in the case of books and other VAT exempt items.

If you then quote this part number when contacting our sales department, we will be able to confirm the cost and whether we have the part in stock.

If you cannot conclusively identify the item that you require then please call and we will to assist you. Our staff have many years of experience with all aspects of the Jaguar marque and may have just the answer...



Your customer number

Upon dealing with SNG Barratt for the first time you will be allocated a customer number. In most cases this will be your UK postcode or in the USA your telephone number. However if you are outside the UK/USA your sales advisor will use either your postal area code or a number devised using your surname. This customer number can either be found on your invoice or simply by asking the person serving you. The ability to provide your customer number when contacting our sales department will allow us to access your information far faster and serve you even more efficiently.

Customer number.....

Your vehicle details

Please complete this section as accurate vehicle information at your finger tips will prove to be invaluable. Very often identifying the correct part for you car can be all down to chassis or engine number. These details can best be found on the car itself, as registration documents can often prove to be incorrect due to engine swaps and vehicle upgrades that the DVLA have not been advised of. Please refer to the Vehicle Identification section on page 2 if you wish to cross reference any information.

Year of manufacture.....

Body style Roadster / DHC / FHC

Chassis number.....

Engine 3.4 / 3.8

Engine number.....

Gearbox Automatic / Manual

Item number	Description	Part number	Quantity required per car
1.	Upper timing chain	C2296	1
2.	Lower timing chain	C2295	1
3.	Camshaft sprocket	C2294	1
4.	Coupling	C26882	2
5.	Crutch	C20782	2
6.	Locking wire (per motor)	C21126	4/8
7.	Camshaft bolt	C2875294	4
	*Screw bolts will require nuts for the locking wire.		
8.	Main brackets	front C21281 rear C21702	1
16.	Spigot bush	C2722	1
20.	Spigot bush	C26888	1
21.	Main bracket	C19428	4/8
22.	Intermediate plate	W190000 (orig no. 24421) & W19100 (24421)	1
23.	End washer	W19100	1
		W19100 (orig no. 24421)	1
		W19100 (orig no. 24421)	1
		W19100 (orig no. 24421)	1



Vehicle Identification

Buy on-line at www.sngbarratt.com



	<u>Chassis Number</u>	<u>Engine Number</u>	<u>Production Commenced</u>	<u>Production Ceased</u>
<u>XK120 OTS</u>				
RHD	660001	W1001-W9999 & F1001	JULY 1949	SEPTEMBER 1954
LHD	670001	-	-	-
<u>XK120 DHC</u>				
RHD	667001	W1001-W9999 & F1001	APRIL 1953	SEPTEMBER 1954
LHD	677001	-	-	-
<u>XK120 FHC</u>				
RHD	669001	W1001-W9999	MARCH 1951	SEPTEMBER 1954
LHD	679001	-	-	-

XK120 OTS



XK120 DHC

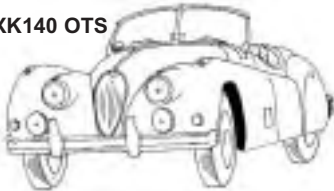


XK120 FHC



<u>XK140 OTS</u>				
RHD	800001	G1001	OCTOBER 1954	FEBRUARY 1957
LHD	810001	-	-	-
<u>XK140 DHC</u>				
RHD	807001	G1001	OCTOBER 1954	FEBRUARY 1957
LHD	817001	-	-	-
<u>XK140 FHC</u>				
RHD	804001	G1001	OCTOBER 1954	FEBRUARY 1957
LHD	814001	-	-	-

XK140 OTS



XK140 DHC



XK140 FHC



<u>XK150 OTS</u>				
RHD	820001	3.4 std V1001 3.4S VS1001	MARCH 1958	OCTOBER 1960
LHD	830001	3.8 std VA1001 3.8S VAS1001	-	-
<u>XK150 DHC</u>				
RHD	827001	3.4 std V1001 3.4S VS1001	MAY 1957	OCTOBER 1960
LHD	837001	3.8 std VA1001 3.8S VAS1001	-	-
<u>XK150 FHC</u>				
RHD	824001	3.4 std V1001 3.4S VS1001	MAY 1957	OCTOBER 1961
LHD	834001	3.8 std VA1001 3.8S VAS1001	-	-

XK150 OTS



XK150 DHC



XK150 FHC



Engine

Engine Block	4
Oil Pump	6
Oil Filter	7
Waterpump	8
Timing Gear	9
Cylinder Head	10
Engine Gaskets	13

Transmission

Clutch Mechanism	14
Manual Gearbox	16
Automatic Gearbox	18
Propshaft	18
Rear Axle	19

Cooling, Exhaust & Fuel Systems

Carburettors	22
Fuel System	25
Cooling System	26
Exhaust System	28

Brakes, Suspension & Steering

Front Suspension	29
Rear Suspension	31
Steering	32
Brake Controls	34
Front Brakes	37
Rear Brakes	39
Roadwheels	41

Body & Body Fittings

XK120 Body Panels	42
XK140 Body Panels	47
XK150 Body Panels	52
XK120 Bumpers	58
XK140 Bumpers	59
XK150 Bumpers	60
XK120 Roadster Body Rubbers	61
XK120 DHC Body Rubbers	62
XK120 FHC Body Rubbers	63
XK140 Roadster Body Rubbers	66
XK140 DHC Body Rubbers	67
XK140 FHC Body Rubbers	68
XK150 Roadster Body Rubbers	71
XK150 DHC Body Rubbers	72
XK150 FHC Body Rubbers	73
Windscreen & Body Glass	76
Door Fittings	77
General Body Fittings Part 1	78
General Body Fittings Part 2	82
XK120 Chrome Body Fittings	85
XK140 Chrome Body Fittings	88
XK150 Chrome Body Fittings	91



World's FASTEST Sports Car
— with touring car comfort

THE JAGUAR XK120

LET'S LOOK AT THE RECORDS!

- Le Mans, France, 1953: Placed 1st, 2nd, and 4th in the world's toughest endurance trial. Covered 2539 miles in 24 hours at an average speed of 105.8 m.p.h.
- Sphérole, Belgium, 1953: 141.8 m.p.h., for new speed record.
- Montlhéry, France, 1952: XK120 Sports Coupe averaged 100.31 m.p.h. for 16,851 miles, breaking all speed and endurance marks!
- Montlhéry, France, 1950: 107.66 m.p.h. average for 24 hours.

Combine these achievements with the safe, road-lugging ride, the direct, positive steering, the smooth power of the twin overhead-camshaft engine, and you'll know why Jaguar is—the finest car of its class in the world.

JAGUAR

Hellman Motor Car Co.
Imperial East of the Mississippi
487 Park Avenue, New York 22

Charles H. Barnburg, Jr.
Jaguar West of the Mississippi
9176 Sunset Blvd., Los Angeles 46

THE FINEST CAR OF ITS CLASS IN THE WORLD

Lighting & Electrical System

Lamps & Lighting	94
Dashboard Switches & Gauges	97
General Electrics	100
Electronic Ignition Conversion Kits	103
Washwipe System	104
Wiring Looms & Fittings	105

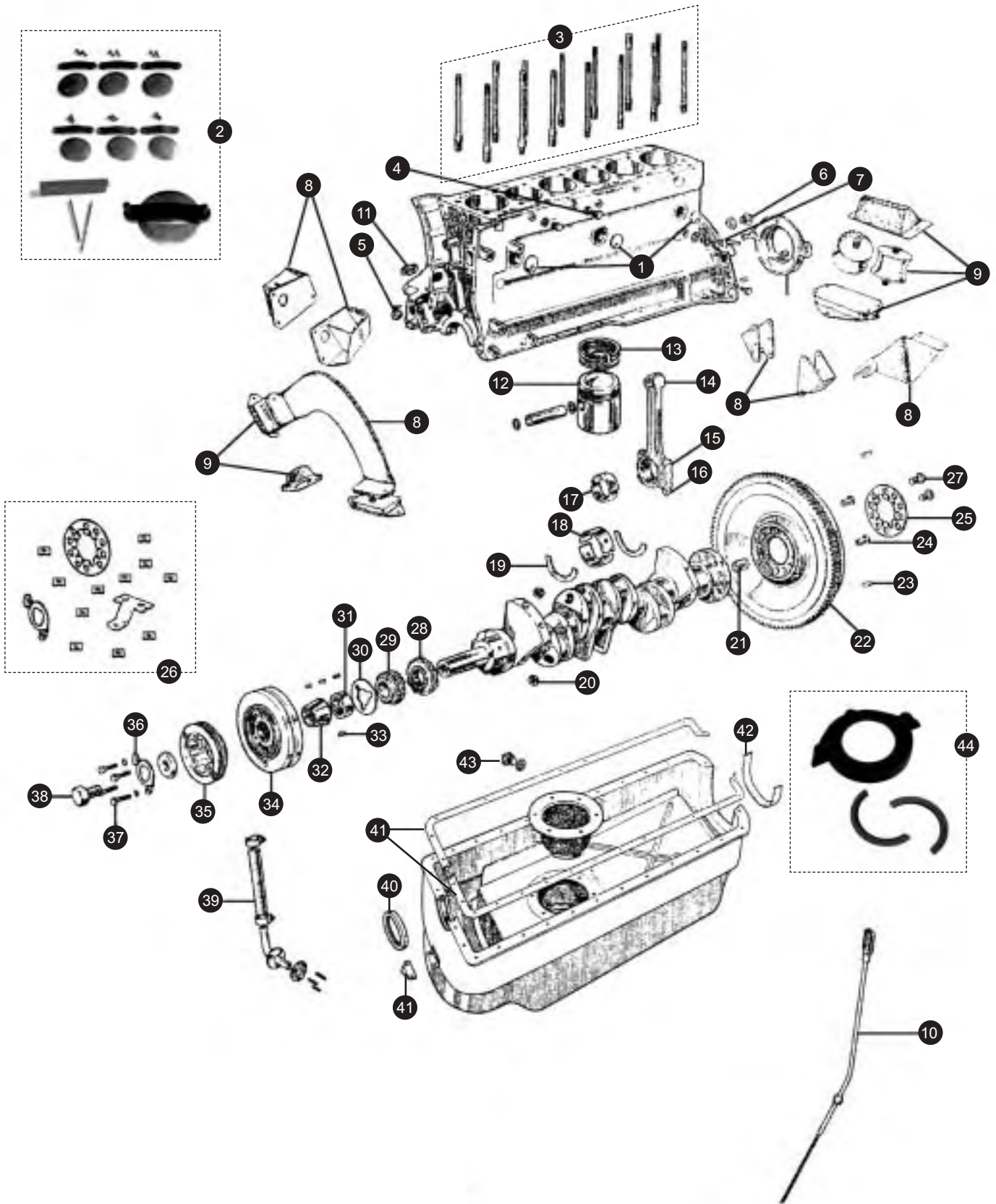
Miscellaneous

Handbooks & Manuals	105
Heating System	106
Tools	107
Motifs & Decals	109
Interior Trim	111
Master Index	116



Engine Block

Buy on-line at www.sngbarratt.com



1. Core plugs	C315	7	XK140 & XK150 (overdrive)	C18556	4
	C317	1		C8393	1
2. Engine core plug strap kit	C317FK	1 kit	10. Engine oil dipstick		
(Not original but recommended for fitment. Supplied with drill & tap to enable correct fitment.)			(Some variation on engine numbers please check)		
			XK120	C2348/1	1
3. Head studs	C29035	13	XK140	C7486	1
	C2270	1	XK150	C13277	1
4. Oil gallery plug (side)	C2352	6	11. Distributor seal	C2430	1
Washer	C2296/3	6	12. Piston assembly		
5. Oil gallery plug (front)	C2305	1	3.4 engines* 8:1	11546	6
6. Oil gallery plug (rear)	C2157	1	3.8 engines* 8:1	18393	6
	C2296/2	1	9:1	20615	6
7. Drain tap	C4439/1	1	(* Part numbers quoted are standard size. Oversize pistons are usually available up to a possible +0.060". 8 to 1 compression recommended fitment, 9 to 1 available on request. Pistons are supplied complete with rings, pins, and circlips.)		
Washer	C2296/3	1	13. Piston ring set		
8. Engine mounting bracket			3.4 engines* 8:1	R39420	6
<u>XK120 OTS/FHC (up to ch no 660993, 672481 & 679815)</u>			3.8 engines* 8:1	R16586	6
Front	C2408	1	9:1	R32592	6
RHD	C2370	1	(* Part numbers quoted are standard size. Oversize piston rings are usually available up to a possible +0.060".)		
LHD	C2371	1	14. Small end bearings	C17164	6
<u>XK120 (all others)</u>			15. Conrod bolt	C32344	6
LH	C6256	1	16. Conrod nut	EAC5541	6
RH	C6255	1	(* Both nut and bolt should be replaced for correct self locking safety.)		
RHD	C2370	1	17. Conrod bearing set*	B6545LC	1
LHD	C2371	1	18. Main bearing set*	M7118LC	1
<u>XK140 (up to eng no G1907)</u>			(* Part numbers quoted are standard size. Oversize bearings are usually available up to a possible +0.060".)		
RHF	C7589	1	Main bearing cap bolt	C2262	14
LHF	C7590	1	Tab washer	C21171	14
RHR	C4467	1	19. Thrust washers standard size	C34744	2
LHR	C4468	1	oversize	C34744/1	2
<u>XK140 (from eng no G1908)</u>			20. Crankshaft sludge plug	C4283	6
RHF	C8783	1	21. Spigot bush	C2226	1
LHF	C8787	1	22. Flywheel*	all models	C4809
RHR	C4467	1	Ring gear	all models	C4809RG
LHR	C4468	1	(* Flywheel can be supplied as new or reconditioned exchange. Drilled to take standard 10" or later 9.5" clutch.)		
<u>XK150 (all models)</u>			23. Clutch cover dowel	C1782	2
RHF	C8783	1	24. Flywheel dowel	C7182	2
LHF	C8784	1	25. Flywheel locktab	C4810	1
RHR	C12948	1	26. Tabwasher set	EN1034	1
LHR	C12949	1	27. Flywheel bolt	C4855	10
9. Engine mountings			28. Oil pump gear	C2314	1
<u>XK120 OTS/FHC (up to ch no 660993, 672481 & 679815)</u>			29. Timing chain gear	C2170	1
Front	C428	2			
Rear	C478	1			
Side	C18556	1			
<u>XK120 (all others)</u>					
Front & side	C18556	3			
Rear	C4304	2			
<u>XK140 & XK150 (non overdrive)</u>					
	C18556	4			



Engine Block

Buy on-line at www.sngbarratt.com



30. Oil thrower	C23701	1
31. Distance piece	C40147	1
32. Damper cone	C2466	1
33. Woodruff key	C757	4
34. Crankshaft damper*		
XK120	C8020	1
XK140/150	C15274	1

(*Supplied as new or reconditioned. Competition fluid dampers also available.)

35. Crankshaft pulley		
XK120	C2469	1
XK140/150		
(to eng no's V5732, VS1522)	C7275	1
XK150		
(eng no's V5733, VS1523)	C14589	1

36. Tabwasher	C2467	1
37. Pulley bolt	BH605111J	4
38. Damper bolt	C23424	1
39. Oil hose	C12382	1
40. Front crankshaft oil seal		
<u>XK120/140</u>		
(to eng G1907)	C2306	1 pair

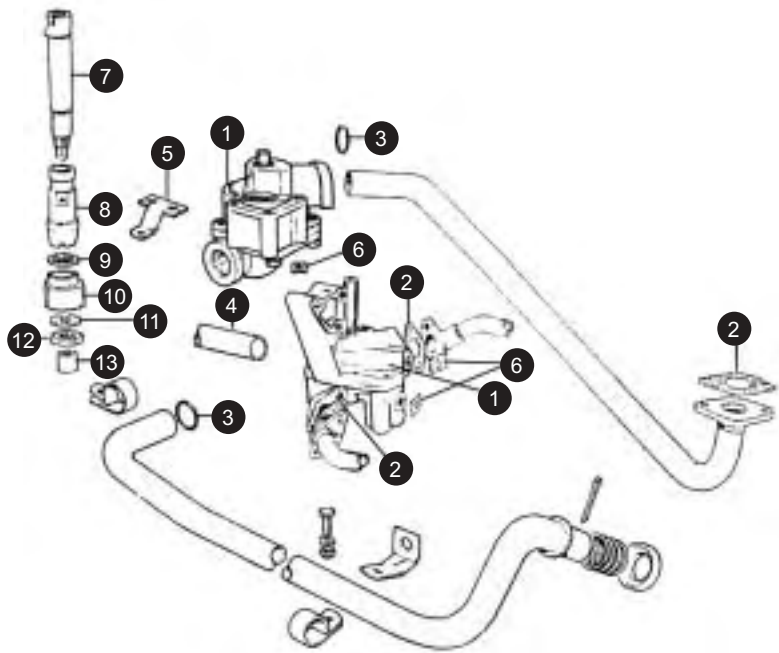
<u>XK140/150*</u>		
(eng G1908 on)	C24611	1
(* Improved seal available for XK140/150)	EAC8815	1
41. Sump gasket	C19590	1 pair
42. Rear sump oil seal		
XK120/140	C2302	1
XK150	C36499	1
43. Sump plug Washer	C23435	1
	C2296/1	1

44. Rear crankshaft oil seal conversion
 The original XK engine was fitted with what was known as a "scroll" seal. This was machined into the crankshaft and rear housing working well whilst the engine was rotating. However, it is not a "seal" as we have become accustomed to in later engines. This kit is an alternative fitment which allows the replacement of this system by machining the crankshaft and fitting a two piece rubber seal.

All models C19687CONVMIN

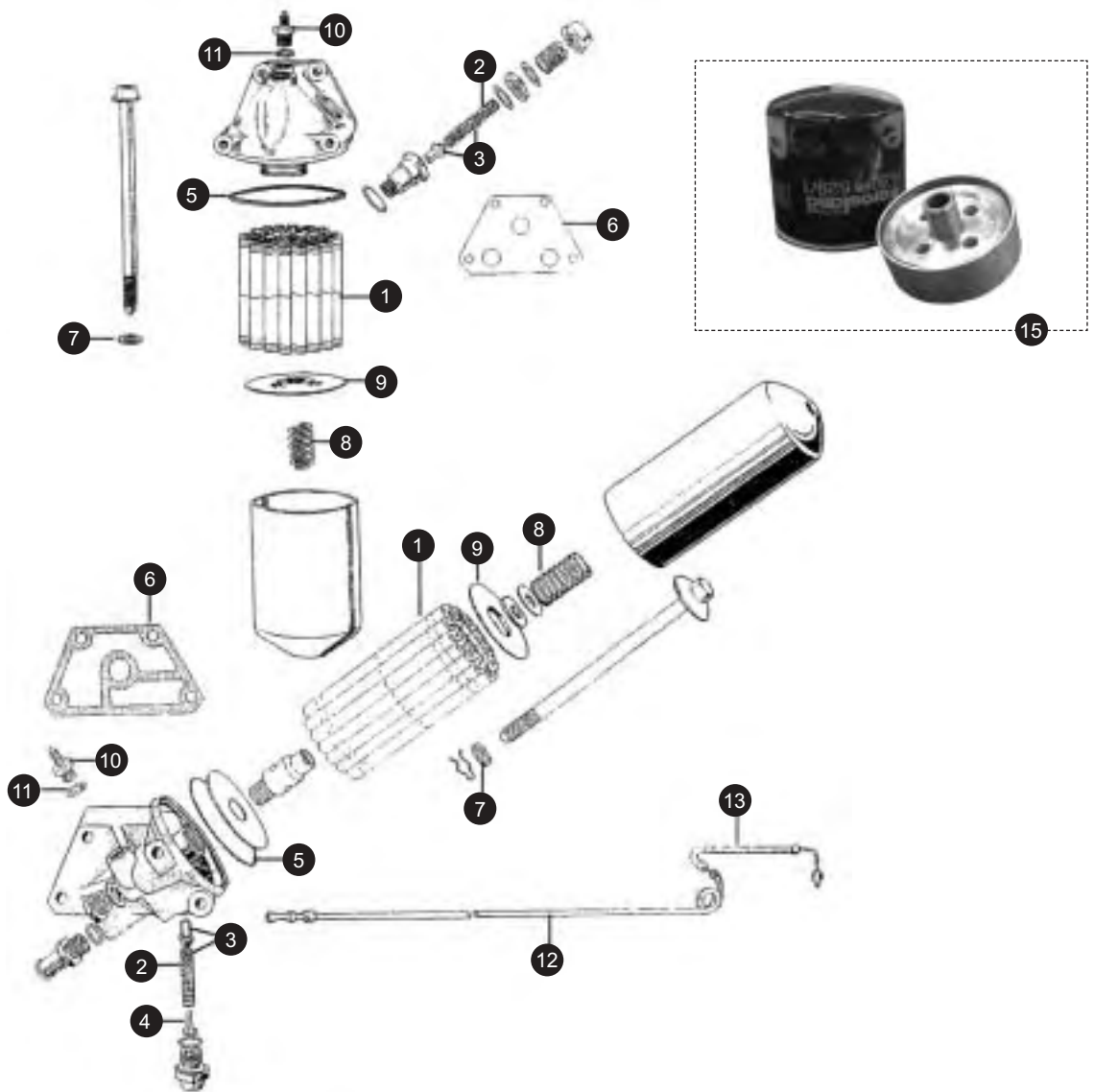
Oil Pump

Buy on-line at www.sngbarratt.com



1. Oil pump assembly		
XK120 (exch. only)	C4715R	1
XK140 (to eng no. G1907 exch. only)	C7718R	1
XK150 (eng no. G1908 on, must be fitted with item 4)	C21765/2	1
2. Gasket (all models)	C2220	A/R
3. O'ring		
XK140 original pump (from eng no G1908) & XK150	C8649	2
XK140 replacement pump	C8649	1
	C21848	1
4. Adaptor tube (for use with oil pump C21765/2)		
XK140 (from eng no G1908) & XK150 ENG105		1
5. Strut, suction pipe		
XK140 (from eng no. G1908)	C8665	1
XK150 (up to eng no. V7258, VS2118, VAS10060)	C8665	1
XK150 (from eng no. V7259, VS2119, VAS10061)	C8779	1
6. Tab washer	C7263	A/R
7. Drive shaft	C8646	1
8. Bush	C8647	1
9. Washer	C2393	1
10. Helical gear	C2152	1
11. Tab washer	C2151	1
12. Locknut	NT609041	1
13. Coupling shaft	C8648	1





1. Oil filter element

XK120 (up to eng no. W4382) 1535 1

XK120 (from eng no. W4383) & XK140 FG2421F (Felt) 1
FG2421 (Paper) 1

XK150 JLM9544F (Felt) 1
JLM9544 (Paper) 1

2. Relief valve spring 7315 1

3. Relief valve kit 7310 1

4. Stop pin 7357 1

5. Cannister seal

XK120 (up to eng no. W4382) 5911 1

XK120 (from eng no. W4383) 5180 1

XK140 5180 1

XK150 6883 1

7. Filter head gasket

XK120/140 C2248 1

XK150 C13091 1

8. Cannister bolt seal

XK120 2728 1

XK140(up to eng no. G1907) 2728 1

XK140(from eng no. G1908 to G6232) 137333 1

XK140 (from eng no. G6233) & XK150 6158 1

9. Pressure spring

XK120 2740 1

XK140 (to eng no.G6232) 2740 1

XK140 (from eng no.G6233) & XK150 6159 1

10. Pressure plate

XK120 2726 1

XK140(up to eng no. G6232) 2726 1

XK140(from eng no. G6233) 6770 1

XK150 11666 1

11. Oil pipe union 2698 1

12. Sealing washer 2747 1

13. Rigid oil pipe 1425 1

14. Flexible oil pipe C8068 1

15. Spin-off oil filter kit XK150 OFK16 1



+44 (0) 1746 765432
sales.uk@sngbarratt.com



+1 603 622 1050
sales.usa@sngbarratt.com



+33 3 85 201 420
sngbarratt.france@wanadoo.fr

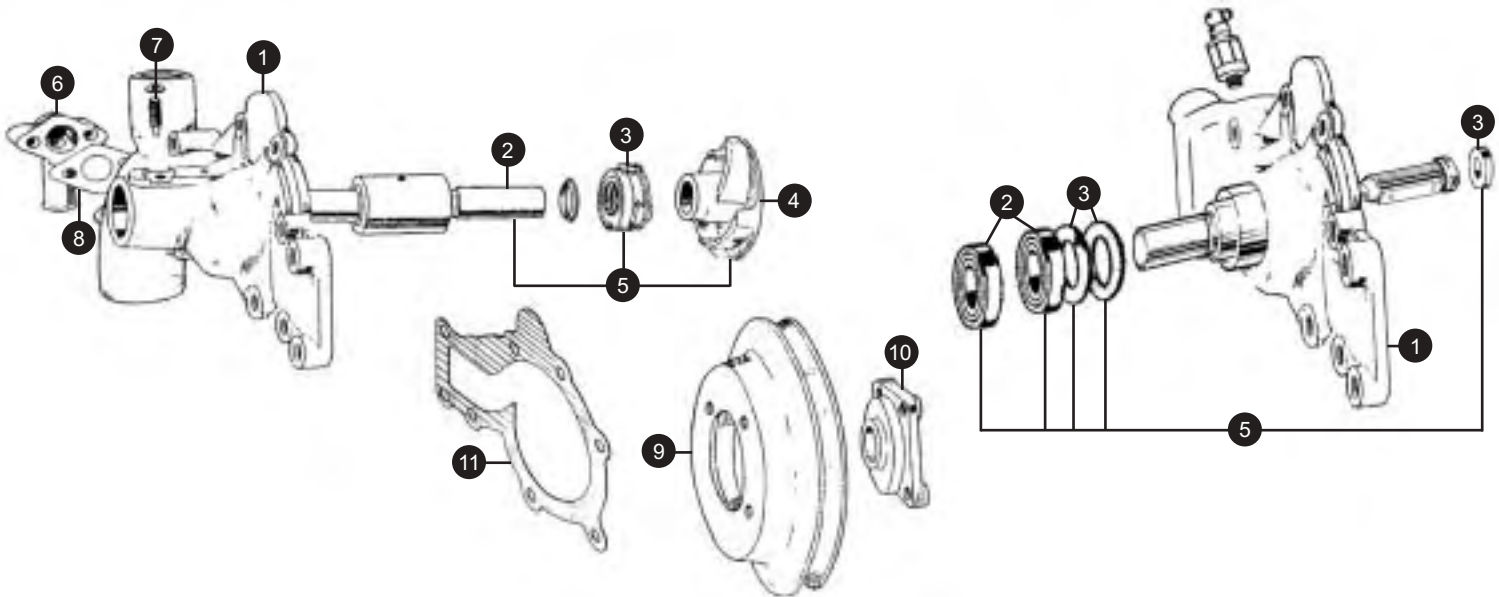


+31 13 52 11 552
verkoop@sngbarratt.com



Waterpump

Buy on-line at www.sngbarratt.com



1. Water pump assembly

XK120 (up to eng no. W5464 with 5 blade cast fan, supplied as recon/exchange) C4946R 1

XK120 (from eng no. W5465 fabricated fan, 6 blade supplied as recon/exchange) C6746R 1
(Supplied as recon/exchange)

XK140 & 150 (Supplied as recon/exchange) C7618R 1

2. Water pump bearing

XK120 C705 1
C706 1
(Some reproduction pumps utilised non original components please check before ordering).

XK140 & XK150 C8167/1 1

3. Water pump seal

XK120 C389 1
C4811 1
(Some reproduction pumps utilised non original components please check before ordering).

XK140 & 150 C6773 1

4. Impellor

XK120 NLA
XK140 & 150 C22798 1

5. Water pump rebuild kits

XK120 WPK120 1
XK140 & XK150 SBS7272 1

6. Heater fitting

XK120 Banjo C1505 1
Bolt C1506 1

XK140 & XK150 C7631 1

7. Bearing locating screw

XK120 N/A
XK140 & XK150 Screw C8011 1
Locknut NT609041 1

8. Heater gasket

XK120 C2296/1 2
XK140 & XK150 C7733 1

9. Pulley

XK120 (up to eng no. W5464) C2446 1
XK120 (from eng no. W5465) C5045 1
XK140 C7644 1
XK150 (up to eng no's V5733 & VS1522) C7644 1
XK150 (from eng no's V5734, VS1523 & VAS1001) C14588 1

10. Carrier

XK120 N/A
XK140 & XK150 C7641 1

11. Mounting gasket

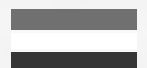
C2303 1

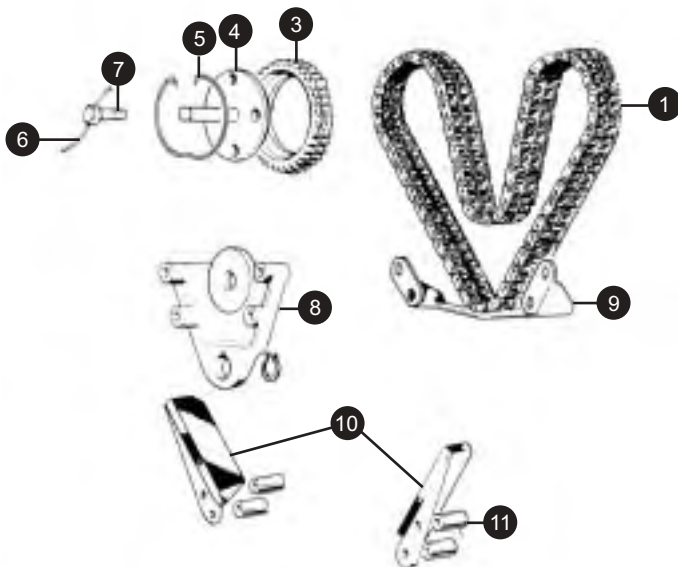
12. Fanbelt

XK120 early (up to eng no W5464) C2240 1
XK120 late (from eng no W5465) C5056 1
XK140 C13595 1
XK150 early (up to eng no's V5732, VS1522) C13595 1

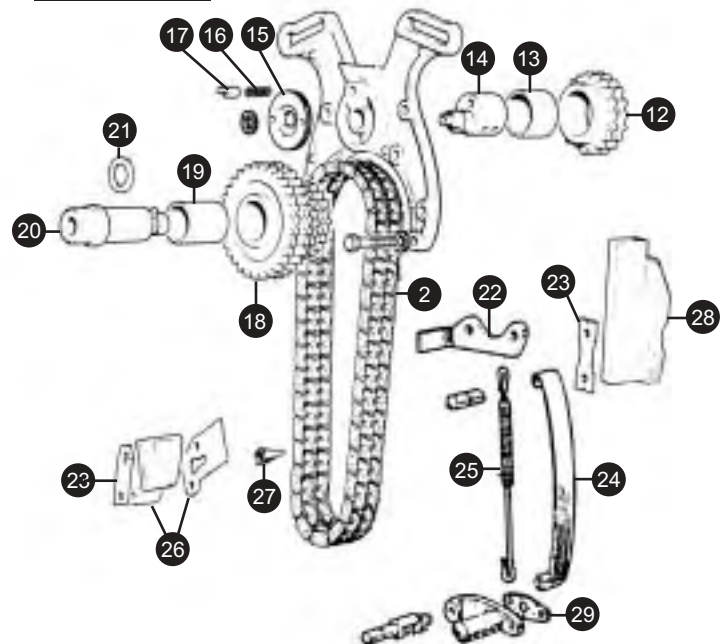
XK150 late (from eng no's V5733, VS1523 VA1001 & VAS1001) C15840 1

(The above are standard fitment, however many variations may be apparent due to changes to pulleys/water pumps etc).



UPPER

1. Upper timing chain		C2256	1
2. Lower timing chain		C2255	1
3. Camshaft sprocket		C24686	2
4. Coupling		C26688/2	2
5. Circlip		C30762	2
6. Locking wire (per metre)		C21126	A/R
7. Camshaft bolt		JZB100042	4
(Later bolts will require hole for for locking wire.)			
8. Main brackets	front	C4128/1	1
	rear	C21703	1
9. Chain retainer		C25819	1
10. Upper guides	LH	C13616	1
	RH	C13617	1
(Later style replacements must be fitted with item 11)			
11. Spacer tube			
All models		C13660	4
(Not standard but need to be fitted when using C13616 & C13617).			
12. Idler sprocket		C26740	1
(Comes with item 13 pre-fitted)			
13. Idler bush		C2319/1	1
14. Eccentric shaft		C27189	1
15. Adjustment plate*		C4404	1
16. Spring*		C2297	1
17. Plunger*		C4405	1
(* Early XK120, up to eng no W2330 used 2 x springs and plungers with different adjustment plate item 15. These type are NLA)			
18. Intermediate sprocket		C25275	1
(Supplied as one piece unit and comes with item 19 pre-fitted)			

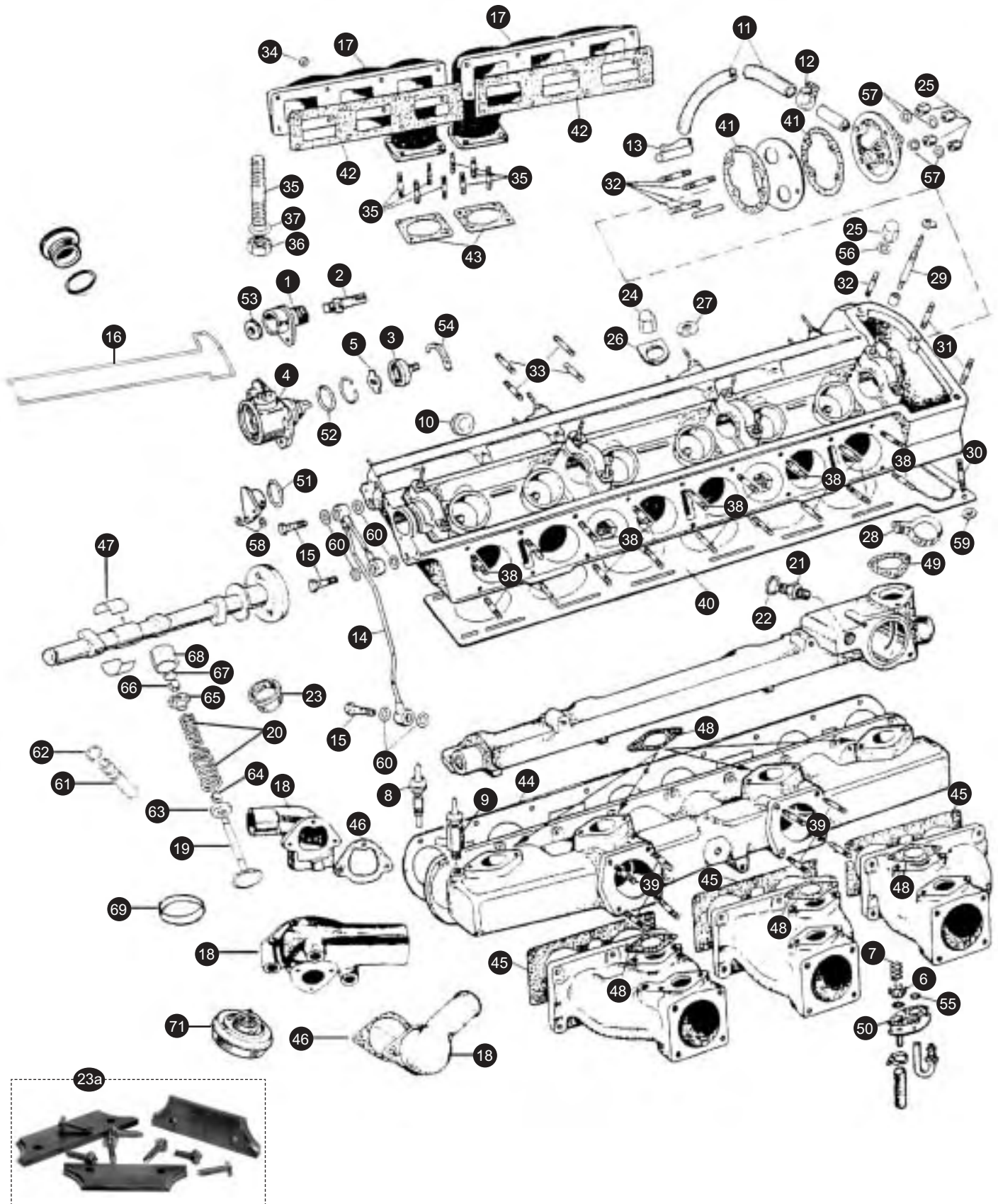
LOWER

19. Sprocket bush		C2320	1
20. Sprocket shaft		C26608	1
21. Shim washer		C16626	A/R
22. Intermediate guide			
XK140(from eng no G4431) & XK150		C13615/1	1
23. Tab washer			
XK120		C20397	1
XK140 (up to eng G4430)		C20397	1
XK140 (from eng no G4431)		C20397	1
		C10333	1
XK150		C13615/2	1
		C20397	1
		C10333	1
24 & 25. Tensioner			
XK120*	blade	C4100	1
	spring	C4101	1
XK140* (up to eng no G4430)			
	blade	C4100	1
	spring	C4101	1
(* Conversion to later hydraulic tension available as C4100U.)			
26. Hydraulic tensioner			
XK140(from eng no G4431)		EAC3629	1
XK150		EAC3629	1
27. Oil strainer cone		C13457	1
28. Lower timing chain guide		C13614/1	1
29. Oil spray gasket			
XK120			
XK140(up to eng no G4430)		C2300	1



Cylinder Head

Buy on-line at www.sngbarratt.com



1. Tacho cable adaptor

XK120 & XK140	C2153/1	1
---------------	---------	---

XK150 (up to ch no's 820042, 832087, 824904, 836232, 827372, 838271)	C12339	1
---	--------	---

2 & 3. Tacho cable drive shaft

XK120 & XK140	C2176	1
---------------	-------	---

XK150 (up to ch no's 820042,832087,824904, 836232, 827372, 838271.)	C10665	1
---	--------	---

XK150 (from ch no's 820043, 832088, 824905, 836233, 827373, 838271)	C16771	1
---	--------	---

4. Tacho gearbox/generator

XK150 (up to ch no's 820042, 832087, 824904, 836232, 827372, 838271)	C9914	1
--	-------	---

XK150 (from ch no's 820043, 832088, 824905, 836232, 827372, 838271)	C14996	1
---	--------	---

5. Adaptor

XK150 (from ch no's 820043, 832088, 824905, 836232, 827372, 838271)	C25426	1
---	--------	---

6. Anti-blow back valve

XK120 (from eng no. W2449) & XK140	C4204	1
------------------------------------	-------	---

7. Spring on valve

XK120 (from eng no. W2449) & XK140	C7470	1
------------------------------------	-------	---

8. Vacuum valve

XK150	C13570	1
-------	--------	---

9. Adaptor "T" Piece

XK150	C14715	1
-------	--------	---

10. Core plug

	C317	2
--	------	---

11. Breather hose	C2485/1	1
--------------------------	---------	---

12. Hose clamp	CS100X	1
-----------------------	--------	---

13. "P" Clip	C1040/20	1
---------------------	----------	---

14. Oil feed pipe	C25619	1
--------------------------	--------	---

("Braided" flexible hose available as alternative)	C25619F	1
--	---------	---

15. Banjo bolt	C5846	3
-----------------------	-------	---

(Extra long bolt available for damaged threads)	C5846/R	A/R
---	---------	-----

16. Cam cover gasket

XK120/XK140	C6735/1	2
-------------	---------	---

XK150 (up to ch no's 820042, 832087, 824904, 836232, 827372, 838271)	C6735/1	
--	---------	--

XK150 (from ch no's 820043, 832088, 824904, 836233, 827373, 838272)	Exhaust C6735/1	1
	Inlet C14988/1	1

17. Exhaust Manifolds

Front	C2213	1
-------	-------	---

Rear	C2214	1
------	-------	---

18. Inlet manifold water outlet

XK120 (up to eng no W1250)	C2378	1
----------------------------	-------	---

(Not available at time of print, please use C2449)

XK120 (from eng no W1251)	C2449	1
---------------------------	-------	---

XK140 (to ch no's 804141,814240,800036, 811423, 807127, 817459)	C7463	1
---	-------	---

XK140 (from ch no's 804142,814241,800037, 811424, 807128, 817460)	C9619	1
---	-------	---

XK150	C12422	1
-------	--------	---

19. Inlet & exhaust valves

XK120 (all engines "W" prefix & "F" prefix up to 2382)

Inlet	C2246	6
-------	-------	---

Exhaust	C2247	6
---------	-------	---

XK120 (from eng no F 2383)

Inlet	EAC1547	6
-------	---------	---

Exhaust	EAC1548	6
---------	---------	---

(Please check sizes of original valves before ordering as later valves may have been fitted on previous rebuilds)

XK140 & XK150	Inlet	EAC1547	6
---------------	-------	---------	---

	Exhaust	EAC1548	6
--	---------	---------	---

20. Valve springs

Engine set of valve springs	C7136/7	1 pr
-----------------------------	---------	------

	VSP480P	1
--	---------	---

21. Temperature gauge adaptor	C9621	1
--------------------------------------	-------	---

22. Sealing washer	C2296/1	1
---------------------------	---------	---

23. Tappet guide	C7262	12
-------------------------	-------	----

23a. Tappet guide hold down kit	SBS9219	1
--	---------	---

(Non original but recommended for fitment. One kit required per side.)

24. Cylinder head nut	C2328	14
------------------------------	-------	----

25. Cam cover/breather nut	C2327	26
-----------------------------------	-------	----

(Early XK120 only requires 20)

26. Cylinder head "D" washer	C2385	12
-------------------------------------	-------	----

27. Cylinder head round washer	FW207T*	2
---------------------------------------	---------	---

28. Spark plug clip	C4982	1
----------------------------	-------	---

(See electrical section for other components)

29. Cam bearing stud	C2326	16
-----------------------------	-------	----

30. Head to timing cover stud	C2189	4
--------------------------------------	-------	---

31. Cam cover stud	C6727/2	6
---------------------------	---------	---

(Early XK120 4 off only)

32. Breather stud	C6727	4
--------------------------	-------	---

33. Exhaust manifold stud	C11761	16
----------------------------------	--------	----

34. Exhaust manifold nut	C30787	16
---------------------------------	--------	----

Washer	FG105X	16
---------------	--------	----



Cylinder Head

Buy on-line at www.sngbarratt.com

35. Downpipe stud C2369 8
 (Also available in stainless) C2369/SS 8
 (Also available with larger thread for damaged manifolds)
 C2369/R A/R

36. Downpipe nut C17916 8
 (Also available in stainless) C17916/SS 8

37. Downpipe washer FG106X 8

38. Inlet manifold stud
 XK120 (up to eng no. W6918) EN1028 1 kit
 XK120 (from eng no W6919) & XK140 EN1029 1 kit
 XK150 C11761 18

39. Carburettor stud
 XK120 & XK140 (order stud kit) EN1029 1

XK150 Standard C6570 8
 "S" models C6570 12

40. Cylinder head gasket
 3.4 models Head gasket C19112 1
 Head set CE532 1

3.8 models Head gasket C19113 1
 Head set CE541 1

(Standard head and inlet manifold gaskets i.e. steel. Composite head gaskets are available upon request.)

41. Breather gasket C2227 2

42. Exhaust manifold gasket C2318 2

43. Downpipe gasket C495 2

44 & 45. Inlet manifold gasket

All twin carb models C7619/1 1

All triple carb models C14127/1 3

46. Water outlet gasket

XK120 C2380 1

XK140 & XK150 C4985 1

47. Camshaft bearings RTC2347 1 set

48. Water rail gasket

XK150 twin carb C12309 4

XK150 triple carb C11577 3

49. Choke switch gasket C4985 1

(See carburettor section for switch)

50. Choke pipe gasket

XK120 Adaptor C2381 1

Washer C2296/5 2

XK140 C7469 1

XK150 (up to ch no's 820016, 831898, 824741, 835934,
 827271, 837940) C12454 1

51. Cover cap "O" ring

XK120 & XK140 C2312 2

(Also fitted with gasket) C2289 2
 XK150 (up to ch no's 820042, 832087, 824904, 836232,
 827372, 838271) C2312 2

XK150 (from ch no's 820043, 832088, 824905, 836233,
 827373, 838272) (plus item 52) C2312 1

52. Tacho generator "O" ring

XK150 (from ch no's 820043, 832088, 824905, 836233,
 827373, 838272) C14990 1

53. Tacho drive oil seal

XK120 & 140 C2428 1

XK150 (to ch no's 820042, 832087, 824904, 836232, 827372,
 838271) C2428 1

54. Cam cover seal

XK150 (from ch no's 820043, 832088, 824905, 836233,
 827373, 838272) C14991 1

55. See item 50

56 & 57. Cam cover washer FW104E 26
 (Early XK120 only 20 off)

58. Sealing plug washer FW104E 4

59. Head to timing cover washer FW105E 6

60. Cam oil feed pipe washers C4146 6

61. Valve guides
 Inlet C27476 6
 Exhaust C26194 6

(Part numbers quoted are first oversize, other sizes are available up to 0.010", silicone bronze guides are also available)

Inlet ENG102 6

Exhaust ENG103 6

62. Snap ring EBC1782 12

63. Spring seat C27481 12

64. Intake valve seal EBC3531 6

(Not fitted as standard but recommended especially when changing guides.)

65. Spring collar C27480 12

66. Valve collets EBC2997 24

(Strongly recommended when changing valves)

67. Tappet gap shim C2243A to Z

(0.001" increments, add P i.e. C2243AP for 0.0005 increments)

68. Cam follower C44010 12

69. Valve seat
 XK120 Supplied to special order only,
 full dimensions required.

XK140 & XK150 Inlet C29122 6

Exhaust C29124/1 6

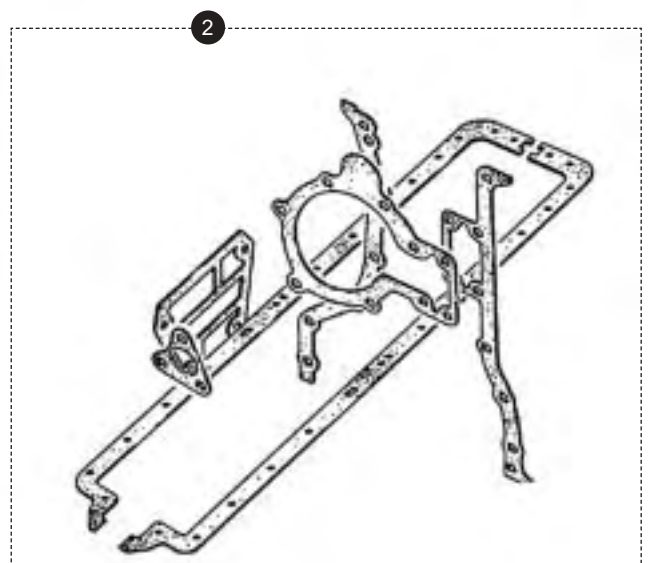
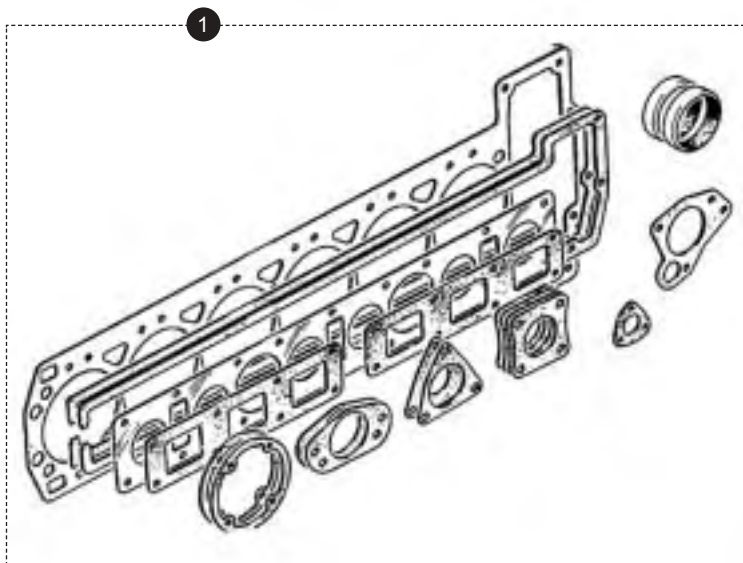
(Part numbers quoted are oversize for machining tolerances, special sizes available on request)

70. Oil filler cap Cap C1022 1

Seal C419 1

71. Bellows thermostat C3731/1 1





1. Head gasket set

All 3.4 models CE532 1

Comprising:	C19112	Head gasket*	1
	C2318	Exhaust manifold	1
	C495	Exhaust downpipe	2
	C7619/1	Inlet manifold	1
	C4985	Thermostat gasket	1
	C6735/1	Cam gaskets	2
	C14988/1	Cam gasket	1
	C2475	Sender gasket	1
	C2227	Breather gasket	2
	C12309	Water rail gasket	4
	C4475	Air filter gasket	2
	C7221	Carburettor gasket	4
	+ Set of cam cover seals/ o rings		

* Standard Head and Inlet manifold gaskets ie steel. Composite available on request.

These sets are for all 3.4 pre XJ6 engines and therefore contain other gaskets not applicable to the XK range.

"S" models will require the addition of inlet manifold/carb gaskets. Please see individual sections for details.

All 3.8 models
with 1³/₄" Carb's CE541 1

Comprising:	C19113	Head gasket	1
	+ All as list for 3.4 above		

* Standard Head and Inlet manifold gaskets ie steel. Composite available on request.

These sets are for all 3.8 pre XJ6 engines and therefore contain other gaskets not applicable to the XK range.

All 3.8 "S" models CE542 1

Comprising:	C19113	Head gasket*	1
	C14127/1	Inlet manifold	3
	C11577	Water rail	3
	C7221	Carburettor	6
	C7164	Air filter	3
	+ All as list for 3.4 above		

* Standard Head gasket i.e. steel. Composite available on request.

2. Lower engine gasket set

All models EE532 1

Comprising:-	C19590	Sump main	1 pair
	C2302	Sump rear early	1
	C36499	Sump rear late	1
	C2248	Oil filter early	1
	C13091	Oil filter late	1
	C8615	Timing cover*	1 pair
	C2303	Water pump	1
	C24611	Front seal*	1
	C2430	Distributor seal	1

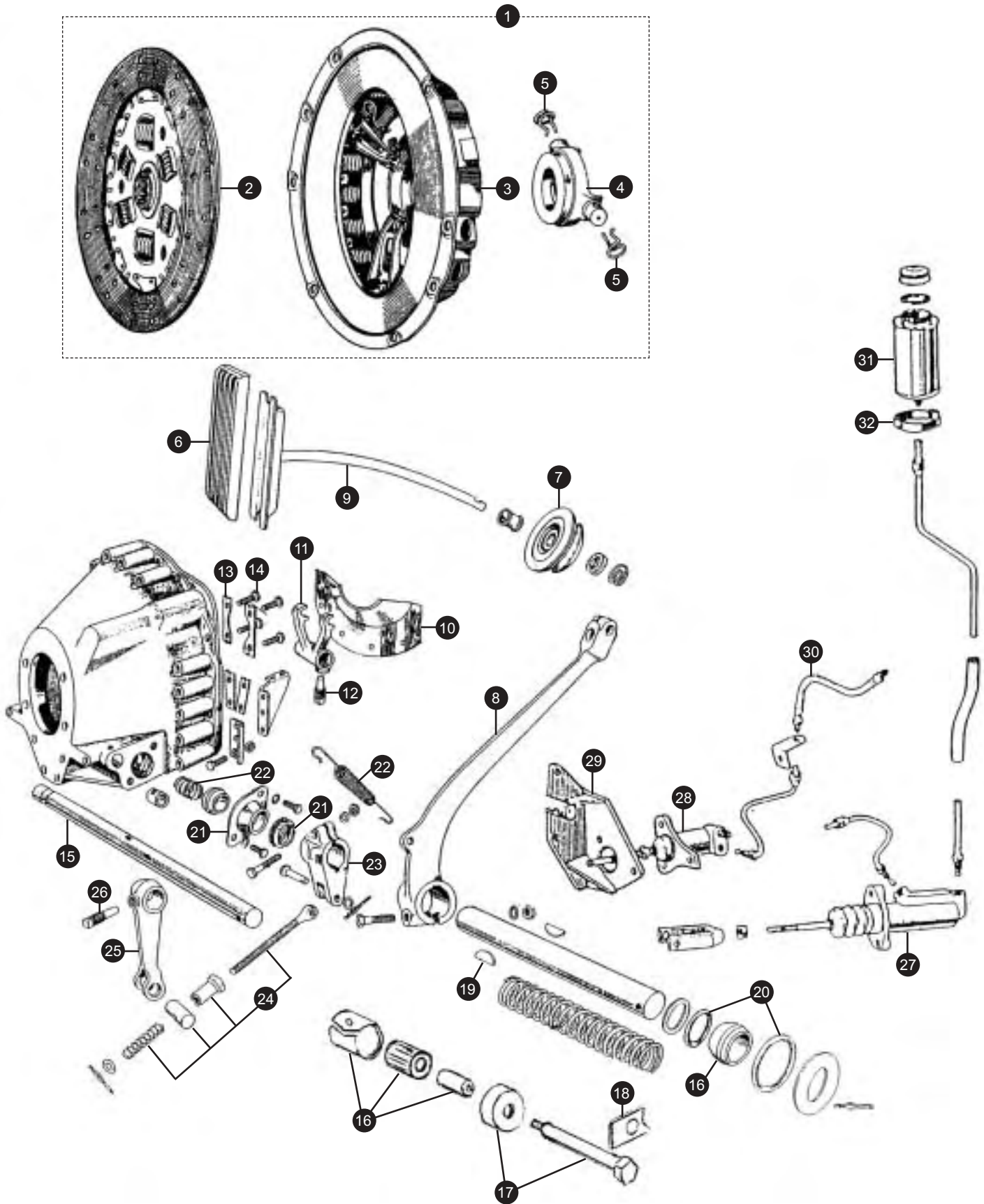
* Does not include Timing cover gasket or front seal applicable to XK120. C4466 & C2306.

These sets are for all pre XJ6 engines and therefore contain other gaskets not applicable to the XK range.



Clutch Mechanism

Buy on-line at www.sngbarratt.com



Clutch Mechanism

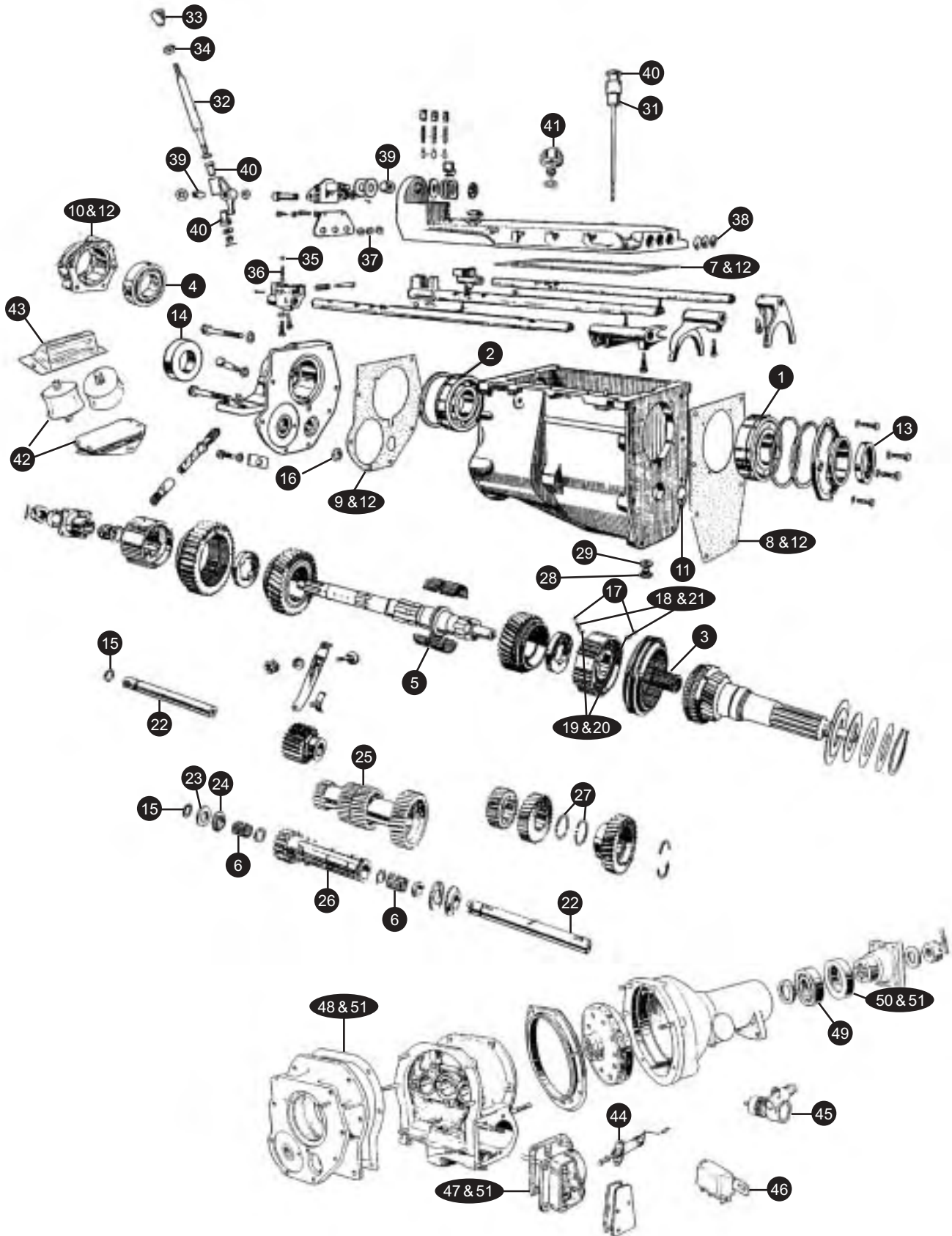
Buy on-line at www.sngbarratt.com

1. Clutch kit	HK5229QAF	1 kit	XK150	Shaft	C12967	1
2. Clutch plate	HB8750Q	1		Spacer	C12969	1
3. Clutch cover	HA2521	1	18. Tabwasher			
4. Clutch bearing	HD3306	1	XK150		C13061	1
5. Retainer	C22479	2	19. Woodruff key			
6. Pedal rubber			XK120 & XK140		C757	2
XK120 all models	C792	1	20. Seals			
XK140 OTS & DHC	C792	1	XK120 & XK140	Small	C3257	1
XK140 FHC	C9934	1		Large	C3258	1
XK150 all models	C9934	1		Housing	C3323	1
7. Stem seal			21. Seal housing			
XK120 all	C4036	1	XK120 & XK140		C3267	1
XK140 OTS & DHC	C8166	1	22. Springs			
XK140 FHC	C8299	1	XK120 & XK140	Large on shaft	C3256	1
XK150 ALL	C8299	1		In housing	C3321	1
8. Clutch pedal				Pedal return	C3318	1
XK120 RHD	C3822	1	XK150 Early	Pedal return	C3317	1
XK120 LHD	C2417	1	XK150 Late	Pedal spring	C3317	1
XK140 OTS & DHC	C7584	1		Bell crank lever	C14196	2
XK140 FHC RHD	C8877	1	23. Pedal shaft lever			
XK140 FHC LHD	C8878	1	XK120 & XK140		C3260	1
XK150 RHD	C14173	1	24. Adjuster rod assembly			
XK150 LHD	C14172	1	XK120 & XK140		C3322	1 kit
9. Stem & plate			25. Operating shaft lever		C2483	1
XK120 & XK140	C6913	1	26. Taper pin			
XK150	C8865	1	XK120 & XK140		C568	1
10. Cover plate			XK150		C13055	1
XK120 Early	C2415	1	27. Clutch master cylinder			
XK120 Late	C41664	1	XK150	Complete cylinder	C12943	1
XK140 & XK150	C41664	1		Repair kit	7012	1
11. Clutch fork			28. Clutch slave cylinder			
12. Taper pin			XK150	Complete cylinder	C5165	1
XK120 & XK140	C568	1		Repair kit	SP2016	1
XK150	C13055	1	29. Slave cylinder bracket			
13. Tabwasher set	EN1027	1	XK150		C15709	1
14. Set screw	FS107/13D	8	30. Hydraulic hose			
15. Operating shaft			XK150		C13259	1
XK120 & XK140	C2429	1	31. Fluid reservoir			
XK150	C12897	1	XK150		C8565	1
16. Shaft bearings			32. Mounting bracket			
XK120 & XK140	Fork shaft	C584	XK150		C5173	1
	Pedal shaft	C3255				
XK150	Fork shaft	C584				
	Pedal shaft	C3223				
	Pedal shaft	C3224				
17. Pedal shaft						
XK120	RHD	C4034				
	LHD	C4035				
XK140	OTS/DHC RHD	C7582				
	FHC RHD	C3879				
	OTS/DHC LHD	C7583				
	FHC LHD	C9134				

+44 (0) 1746 765432
sales.uk@sngbarratt.com+1 603 622 1050
sales.usa@sngbarratt.com+33 3 85 201 420
sngbarratt.france@wanadoo.fr+31 13 52 11 552
verkoop@sngbarratt.com

Manual Gearbox

Buy on-line at www.sngbarratt.com



The original XK, three synchro gearbox is getting more difficult to rebuild as the years progress due to the availability of the gears and synchro units. Estimates can be given for customers units only.

Five speed conversion kits are available to order. Overdrive units available on exchange basis. Automatic gearboxes rebuilt to order.

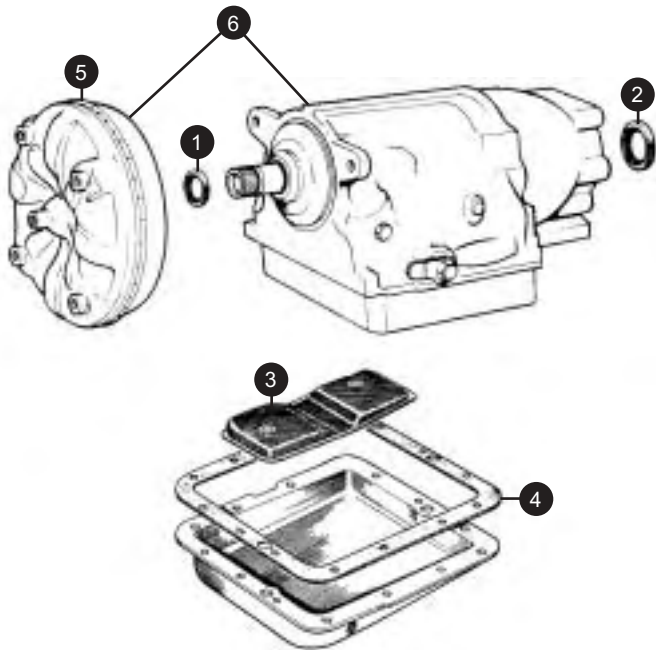
1. Front bearing	C1838	1
2. Rear bearing	C1845/1	1
3. Needle bearing	C1843	1
4. Extension bearing XK120 (SH series)	C924	1
5. Mainshaft needle rollers	C18502	82
6. Countershaft needle rollers	C38573	58
7. Top cover gasket Non overdrive	C860	1
Overdrive models	C860	2
8. Front gasket	C1834	1
9. Rear gasket	C1866	1
10. Extension gasket XK120 (SH series)	C862	1
11. Fibre plug	C920	1
12. Gasket sets Non overdrive	ENT101	1
Overdrive models	ENT101/A	1
13. Front seal XK150 with JS prefix	C6738 C11934	1 1
14. Rear seal All non overdrive models	C859	1
All overdrive models	NKC39A	1
15. "O" Ring	C4285	1
16. Felt seal	C921	1
17. Detent ball	C922	15
18. Detent spring	C900	12
19 & 20. Synchro plunger	C901/1 C1849	3 3
21. Plunger spring	C1324	2
22. Countershaft	C25453	1
23. Thrust washers	(0.152") C1862/3	A/R
	(0.156") C1862	A/R
	(0.159") C1862/1	A/R
	(0.162) C1862/2	A/R
	(0.164") C1862/4	A/R
24. Outer thrust washer	C1861	1
25. Cluster gear XK150 JL & JS suffix	C10204	1
26. First gear Most models (Gearbox prefix no's JH, JL, JLE, JLS)	C2041	1

27. Circlip (Used with item 26 only)	C2072	2
28. Drain/filler plug	C23435	1
29. Sealing washer	C2296/1	1
30. Dipstick Non overdrive	C2675	1
Overdrive models	C6853	1
31. Dipstick seal	C2675/F	1
32. Gear lever (Curved lever stated for use when radio fitted however this was not always the case.) Curved	C2462	1
Straight	C4054	1
33. Gear knob Most models	C2291	1
XK150 Overdrive	C16154	1
34. Lock nut	C1928	1
35. Plunger ball	C92	1
36. Plunger spring	C900	1
37. Felt washer	C929	3
38. Core plug	C315	3
39. Selector bush kit	GLS001	1
40. Gear lever bush	C1915	2
41. Reverse light/overdrive switch Non overdrive	DAC3844	1
Overdrive models	DAC3844	2
42. Gearbox mountings XK120 OTS/FHC up to ch no 660993, 672481, 679815 C478		1
XK120 all others	C4304	2
(Part number information correct for cars with an original gearbox fitted. Any substitution may alter these details)		
43. Overdrive bumpstop XK140 & XK150 overdrive models	C8393	1
44. Overdrive solenoid XK140 & XK150	10002	1
45. Angle drive XK140 & XK150	C24589	1
46. Overdrive relay XK140 & XK150	C36611	1
47. Solenoid housing gasket XK140 & XK150	C5954	1
48. Casing gasket XK140 & XK150	C5935	1
49. Rear bearing XK140 & XK150	C5687	1
50. Rear seal XK140 & XK150	7980	1
51. Gasket seal kit XK140 & XK150	SBS1076	1



Automatic Gearbox

Buy on-line at www.sngbarratt.com

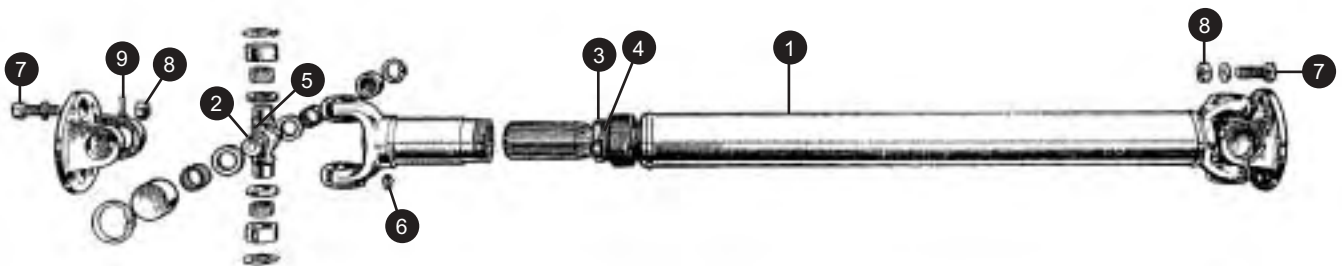


1. Front seal XK140 & XK150	3623	1
2. Rear seal XK140 & XK140	3762	1
3. Filter XK140 & XK150	6688	1
4. Sump gasket XK140 & XK150	3736	1
5. Torque converter XK140 & XK150 (Exchange only)	DGTC	1
6. Gearbox and torque converter XK140 & XK150 (Exchange only)	DGGBTC	1
Gasket & seal kit (not illustrated) XK140 & XK150	DGGK	1
Overhaul kit (not illustrated) XK140 & XK150		
Standard kit	DGOK	1
Master kit (with clutches)	DGMOK	1

Many other parts are available for the automatic gearbox, so please contact us with your requirements.

Propshaft

Buy on-line at www.sngbarratt.com



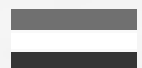
1. Propshaft assembly

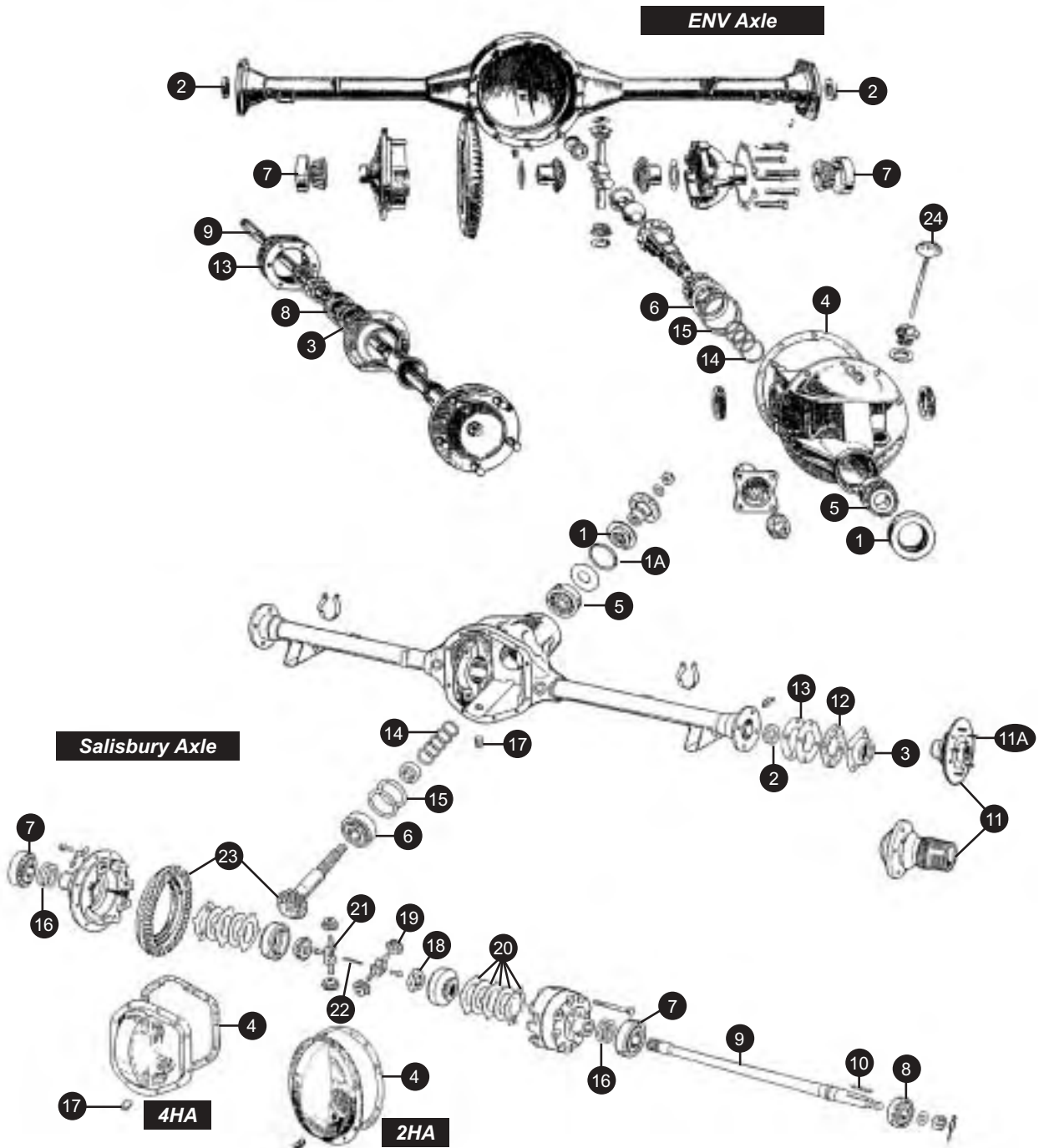
Brand new propshafts are available made to order. These can be made to specific dimensions as well as standard lengths. We also offer a reconditioning service for your original propshaft

2. Universal joint	46	2
3. Cork seal	28	1
4. Steel ring	27	1
5. Grease nipple	248	1
6. Grease nipple		

XK120 (up to ch no 660115, 670536)	C969	1
	C3044	1
7. Bolt*	C3308	8
8. Nut*	UFN437/L	8
9. Split pin*	L102.5/8U	8

(* Items 7, 8 & 9 may be substituted for later style "Nyloc" nut and bolt C19827 & NZ606041J x 8 each.)





Four types of axle were fitted to the XK range of vehicles, details as supplied by the factory are as follows. However it is always safer to try to identify the type physically fitted to each individual car, as they are fully interchangeable throughout the range.

ENV: Fitted to the following XK120 models. 660001 to 660934 RHD OTS/671107 to 671796 LHD OTS

2HA, 4HA or ENV: Fitted to all other XK120 models, no records were kept by the factory.

4HA: Fitted to all XK140 & XK150 models

4HA POWER-LOCK: Fitted to XK150 models (special order only)

ENV Identified by the fact that the differential unit can be unbolted completely from the axle tubes

2HA Identified by the smaller "dome" in the back cover

4HA Identified by the larger "dome" in the back cover

POWER-LOCK Identified by "tag" on rear cover bolt



+44 (0) 1746 765432
sales.uk@sngbarratt.com



+1 603 622 1050
sales.usa@sngbarratt.com



+33 3 85 201 420
sngbarratt.france@wanadoo.fr



+31 13 52 11 552
verkoop@sngbarratt.com



Rear Axle

Buy on-line at www.sngbarratt.com

1. Pinion seal			
XK120 ENV	314	1	
XK120 Salisbury			
XK140 & XK150 (Original component was leather we offer rubber as a modern alternative)			
leather	3840	1	
rubber	3840R	1	
1A. Pinion seal gasket			
XK120 Salisbury			
XK140 & XK150	607183J	1	
2. Inner half shaft seal			
XK120 ENV	799	2	
XK120 Salisbury			
XK140 & XK150	3848	2	
3. Outer half shaft seal			
XK120 ENV	799	2	
XK120 Salisbury			
XK140 & XK150	7955	2	
4. Pinion housing/ rear cover gasket			
XK120 ENV	802	1	
XK120 2HA	3847	1	
XK120 4HA			
XK140 & XK150	3931	1	
5. Outer pinion bearing			
XK120 ENV	385	1	
XK120 Salisbury			
XK140 & XK150	3843	1	
6. Inner pinion bearing			
XK120 ENV	384	1	
XK120 Salisbury			
XK140 & XK150	3844	1	
7. Carrier bearing			
XK120 ENV	807	2	
XK120 Salisbury			
XK140 & XK150	3845	2	
8. Half shaft bearing			
XK120 ENV	807	2	
XK120 Salisbury			
XK140 & XK150	3846	2	
9. Half shaft			
XK120 ENV early	820	2	
(Early style separate thrust button)			
XK120 ENV late	822	2	
(Later style integral thrust button)			
XK120 Salisbury			
XK140 & XK150	3924	2	
10. Hub locating key			
XK120 Salisbury			
XK140 & XK150	C7356	2	

11. Rear wheel hub

XK120 ENV	Steel wheel car	see item 9	
	Wire wheel car	C6022ENV	1 RH
		C6023ENV	1 LH
XK120 Salisbury/XK140			
	Steel wheel car	C5064	2
	Wire wheel car	C6022	1 RH
		C6023	1 LH
XK150	Steel wheel car	C12931	2
	Wire wheel car	C12933	1 RH
		C12934	1 LH

(All part numbers quoted are for cars with standard brakes)

11A. Hub stud

XK120 & 140		C3040	10
XK150	Steel wheel cars	C13365	10

12. Seal housing gasket

XK120 Salisbury			
XK140 & XK150		C1483	2

13. Half shaft shim

XK120 ENV	(0.006")	657	A/R
	(0.010")	658	A/R
	(0.032")	659	A/R
	(0.064")	660	A/R

XK120 Salisbury

XK140 & XK150	(0.003")	3867	A/R
	(0.005")	3868	A/R
	(0.010")	3869	A/R
	(0.030")	3870	A/R

14. Outer pinion shim

XK120 ENV	(0.004")	319	A/R
	(0.006")	320	A/R
	(0.010")	321	A/R

XK120 Salisbury

XK140 & XK150	(0.003")	3856	A/R
	(0.005")	3857	A/R
	(0.010")	3858	A/R
	(0.030")	3859	A/R

15. Inner pinion shim

XK120 ENV	(0.004")	315	A/R
	(0.006")	316	A/R
	(0.010")	318	A/R

XK120 Salisbury

XK140 & XK150	(0.003")	3860	A/R
	(0.005")	3861	A/R
	(0.010")	3862	A/R
	(0.030")	3859	A/R

16. Differential shim

XK120 2HA	(0.003")	3863	A/R
	(0.005")	3864	A/R
	(0.010")	3865	A/R
	(0.030")	3866	A/R



XK120 4HA			
XK140 & XK150	(0.003")	3935	A/R
	(0.005")	3936	A/R
	(0.010")	3937	A/R
	(0.030")	3938	A/R
17. Drain/filler plug		607172J	A/R
18. Side gear			
XK120 Salisbury			
XK140 & XK150	Standard diff	3929	2
	Power-lock	7681	2
19. Pinion gear mate			
XK120 Salisbury			
XK140 & XK150	Standard diff	3835	2
	Power-lock	7685	4
20. Friction plates			
XK150 (power-lock only)			
	Flat	RTC1349A	4
	Dished	RTC1350A	2
	Disc	RTC1416A	2

21. Pinion mate shaft

XK120 Salisbury			
XK140 & XK140	Standard diff	3837	1
	Power-lock	7686	2

22. Roller pin/spacers

XK150 (power-lock only)		7687/8	1 kit
-------------------------	--	--------	-------

23. Crown wheel & pinion

Crown wheel and pinion sets are usually available for 4HA axles. Although not impossible, it is extremely difficult to find these for ENV or 2HA versions. Please call with your requirements.

24. Dipstick

XK120 ENV		346 x 1
-----------	--	---------

We can also offer a full reconditioning service for your axle. Please contact us for further details.

For a taste of "sports car" performance

Not everybody finds it practical to own a thrilling two-seater that's all engine and power. But with the right gasoline... high-octane gasoline... you can come pretty close to sports-car performance.

The reason is quite simple. The amount of power you can get out of gasoline depends on its octane

rating. The higher the octane rating, the more power it can give. So... no matter what other qualities you want in your fuel... be doubly sure to get a high-octane gasoline. And the way to be sure is to use "Ethyl" gasoline. Look for the familiar yellow-and-black "Ethyl" emblem on the pump.

ETHYL CORPORATION
New York 17, N. Y.
Ethyl (Canada) Ltd., in Canada



Get full power... use high-octane **ETHYL** gasoline!



+44 (0) 1746 765432
sales.uk@sngbarratt.com



+1 603 622 1050
sales.usa@sngbarratt.com



+33 3 85 201 420
sngbarratt.france@wanadoo.fr

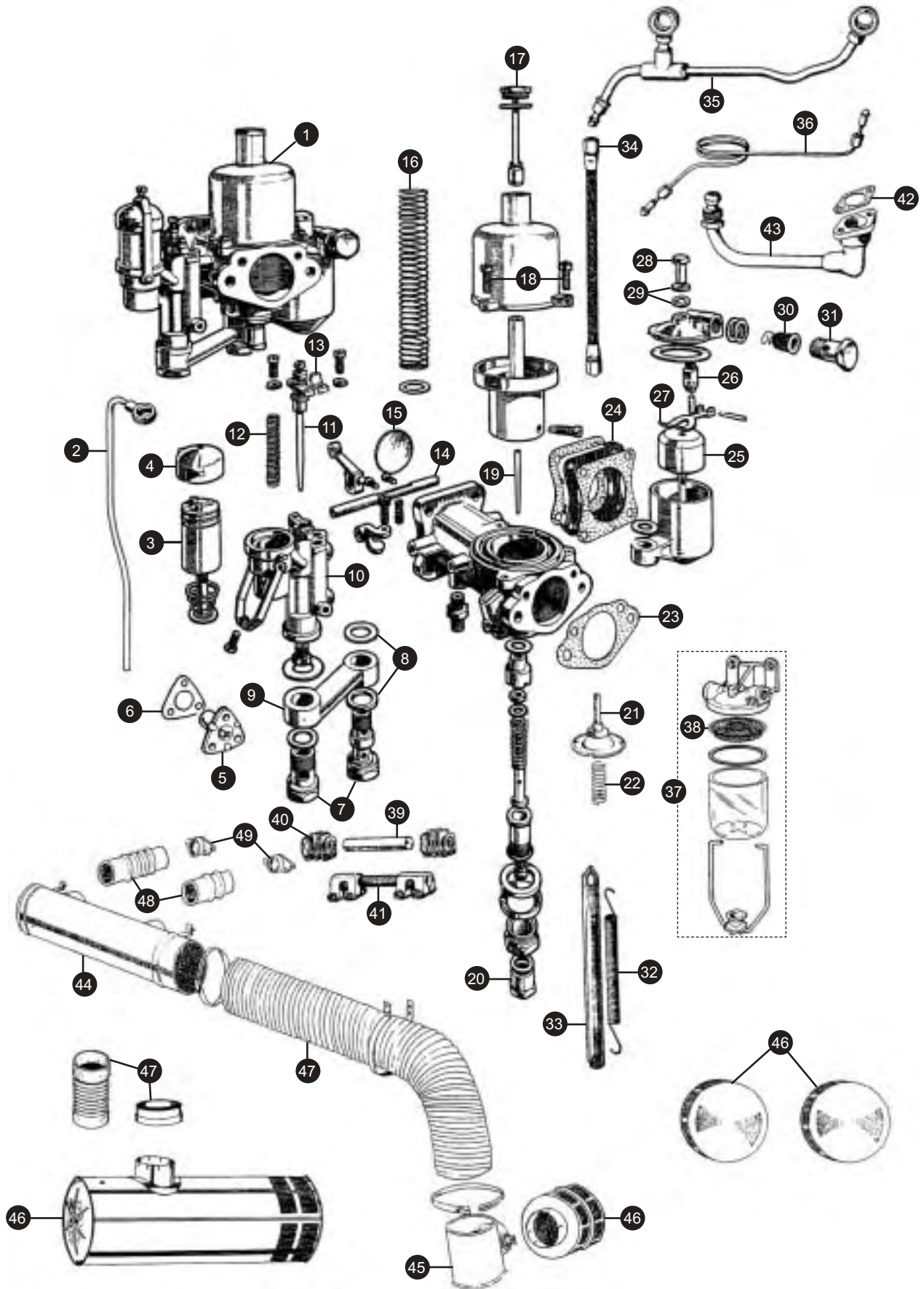


+31 13 52 11 552
verkoop@sngbarratt.com



Carburettors

Buy on-line at www.sngbarratt.com



1. Carburettor rebuild & service kits

XK120 & XK140 - H6 1" (Standard fitment)			
Service kit	CSK24	2	
Rebuild kit	CRK240	2	
XK120 & XK140 - H8 2" ('C' Type spec sandcast)			
Service kit	CSK23	2	
Rebuild kit	CRK230	2	
XK150 - HD6 1" (Standard fitment)			
Service kit	CSK37	2	
Rebuild	CRK217	2	
XK150'S' - HD8 2"			
Service kit	CSK38	3	
Rebuild kit	CRK216	3	

Kits do not include Main needle (item No. 19). Service kits do not include spindles or butterflies (see also items 14 & 15).

Complete carburettors are available as reconditioned exchange units.

2. Overflow pipe	AUC3203	2/3	
3. Choke solenoid	AUD9490	1	
4. Cap	AUD9490C	1	
(Included when buying solenoid)			

5. Solenoid switch	C33177	1	
6. Gasket	C2475	1	

7. Choke banjo bolts			
XK120 & XK140	Choke	C11488	1
	Carb	4641	1
XK150	Choke	C11488	1
	Carb	1541	1

8. Washer kit	AUE807	1	
----------------------	--------	---	--

9. Linkage arm			
XK120 & XK140		4758	1
XK150		7126	1

10. Choke body			
XK120 & XK140		4755	1
XK150		7962	1

11. Metering needle	7963	1	
----------------------------	------	---	--

12. Spring	6956	1	
-------------------	------	---	--

13. Spring finger	7123	1	
--------------------------	------	---	--

Items 1-13 are not applicable to sandcast carburettors.

14. Throttle spindle

Most models - H6 1" (Standard fitment)			
	WZX989	1 kit	
XK120 & XK140 - H8 2" ('C' Type spec sandcast)			
	WZX1373	1 kit	
XK150'S' - (Triple carb)			
	WZX1206	1 kit	

15. Butterfly valve

All 1" Carbs	WZX1321	2	
All 2" Carbs	WZX1373	2/3	

16. Piston spring

All models	7094	2/3	
------------	------	-----	--

17. Piston damper

Most models	Plastic	AUC8102	2
	Brass	AUC8102HD	2
H8 2"	Brass	AUC8105HD	2
XK150'S'	Plastic	AUC8110	3
	Brass	AUC8110HD	3

18. Dashpot screw

AUC2175	A/R
---------	-----

19. Main needle

XK120 OTS - H6 1"			
"RF" marked	AUD1289	2	
XK120 DHC & FHC - H6 1"			
"WO2" marked	AUD1414	2	
XK140 Most models - H6 1"			
"WO2" marked	AUD1414	2	
XK120 & XK140 - H8 2"			
"VR" marked	AUD1407	2	
XK150 3 Litre - HD6 1"			
"TL" marked	AUD1353	2	
XK150 3 Litre			
"UE" marked	AUD1368	3	
XK150 3.8 Litre - HD6 1"			
"TU" marked	AUD1361	2	
XK150 3.8 Litre - HD8 2"			
"UE" marked	AUD1368	3	

The above listed needles are for guidance only. Significant changes are made by variations on air filters and exhaust systems.

20. Main jet cap nut

XK120 & XK140	3160	2	
---------------	------	---	--

21. Main jet

XK120 & XK140 - H6 1"	AUC8189	2	
XK120 & XK140 - H8 2"	AUC4185	2	
XK150 - HD6 1"	AUC8155	2	
XK150 'S' - HD8 2"	AUC8156	3	



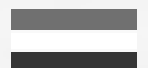
Carburettors

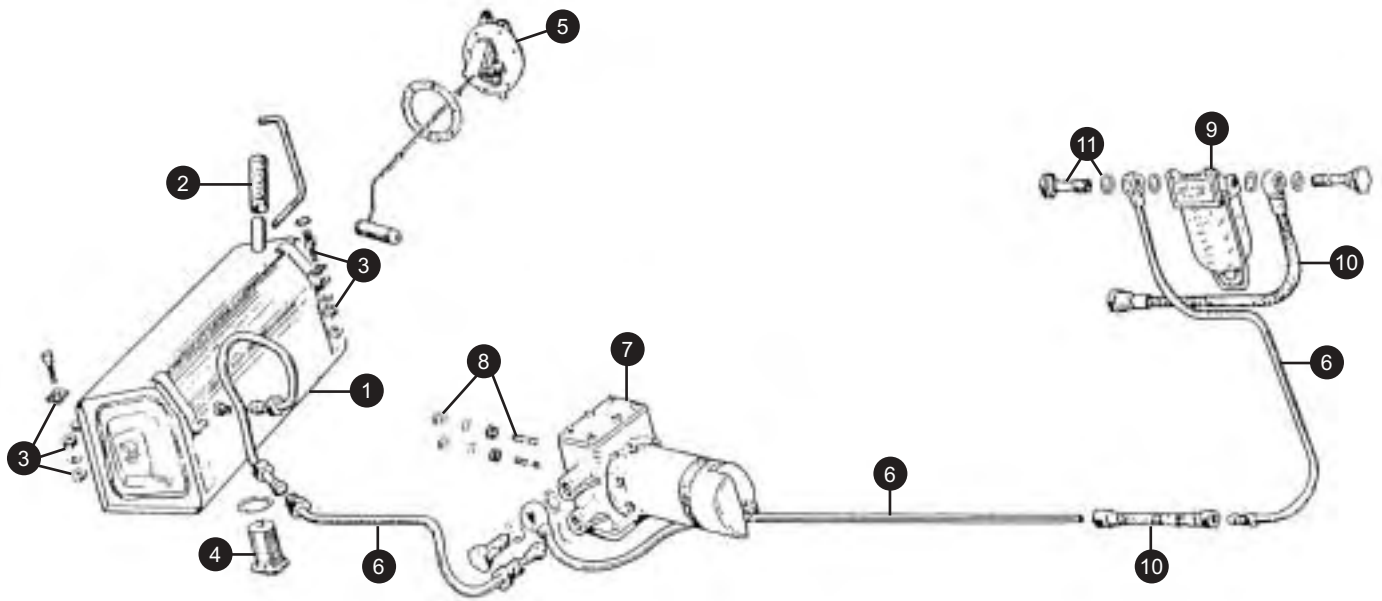
Buy on-line at www.sngbarratt.com



22. Main jet spring			
XK120 & XK140 - H6 1"	3248	2	
XK120 & XK140 - H8 2"	AUC1158	2	
XK150 All	6960	2/3	
23. Air filter gasket			
All 1" carburettors	C4475	2	
All 2" carburettors	C7164	2/3	
24. Manifold gasket/insulator			
ALL 1 " carburettors	Gasket C2368	4	
	Insulator C7461	2	
ALL 1 " carburettors	Gasket C7221	4/6	
	Insulator C33059	2/4	
25. Float			
Most models	1090	2/3	
H8 2"	AUC1182	2	
26. Float needle kit			
Most models	WZX1102	2/3	
H8 2"	WZX8196	2	
27. Lever			
Most models	AUC1980	2/3	
H8 2"	AUC1185	2	
28. Securing bolt			
	5832	2/3	
29. Sealing washers			
Main feed	C11489	4/6	
Plain overflow	AUC1557	2/3	
Serrated overflow	AUC1928	2/3	
30. Lid filter			
	AUC2139	2/3	
31. Banjo bolt			
	C11488	2/3	
32. Throttle spring			
	C15587	2/3	
33. Spring bracket			
XK120 & XK140 - H6 1"	C8015	2	
(Improvements can be made by fitting XK150 style)			
XK150 all models	C14364	2/3	
34. Flexible pipe			
	C3629	1	
(See fuel tank section for full details)			
35. Feed pipe			
XK120 & XK140 - H6 1"	C3810	1	
XK150 HD6 1"	C12812	1	
(Fitted to cars without glass filter.)			
XK150 HD6 1"	C15868	1	
Fitted to cars with glass filter.			
XK150 "S" HD8 2"	C14351	1	
Fitted to cars without glass filter.			
XK150 "S"	C15283	1	
Fitted to cars with glass filter.			
36. Vacuum pipe			
	C12336	1	
37. Fuel filter assembly			
XK150 (From ch no's 820017, 831899, 827272, 837941, 824742, 835935)	C13681	1	
38. Filter gauze			
XK150 (From ch no's 820017, 831899, 827272, 837941, 824742, 835935)	7299	1	
Also available as paper element			
	C28080	1	

39. Coupling shaft			
	AUC2411	1	
Not fitted to "S" models.			
40. Coupling			
	4833	2	
Not fitted to "S" models.			
41. Flexible coupling			
	C3597	1	
(Variations on some models, please state length required)			
42. Starter pipe seal			
XK120	Flange gasket C2381	1	
	Banjo washer C2296/5	2	
XK140	Gasket C74691	1	
XK150	"O" Ring C12454	1	
(up to ch no's 820016, 831898, 824741, 835934, 827271, 837940)			
43. Starter pipe			
XK120	C2388	1	
XK140	C7440	1	
XK150	C12448	1	
(up to ch. no's 820016,831898, 824741, 835934, 827271, 837940)			
XK150 (From ch no,s 820017, 831899, 824741, 835935, 827272, 837941)	C14652	1	
	C14653	1	
XK150 "S"	C14082	1	
44. Air Intake branch			
XK120 DHC & FHC	C5799	1	
45. Elbow assembly			
XK120 DHC & FHC	C5794	1	
46. Air filter			
XK120 & XK140 OTS (1" Carbs)	*C4496	2	
XK120 & XK140 OTS (2" Carbs)	*C8484	1 Pair	
XK120 DHC & FHC	*C5821	1	
XK140 DHC & FHC	#C8133	1	
XK150 LHD (Twin Carbs)	#C8133	1	
XK150 RHD (Twin Carbs)	# C13796	1	
	(not illustrated)		
XK150 (Triple carbs 'S')	#C15277	1	
	(not illustrated)		
* Washable gauze type	# New style replaceable filter		
47. Air pipe seal			
XK120 DHC & FHC	C5709	1	
XK140 DHC & FHC	C1788	1	
XK150 LHD (Twin Carbs)	C1788	1	
XK150 RHD (Twin carbs)	C12401	1	
48. Intake hose			
XK120 DHC & FHC	Long, rear C5713	1	
	Short, front C5714	1	
49. Adaptor flange			
XK120 DHC & FHC	C5715	2	



**1. Fuel tank**

XK120 FHC & OTS	C3618/1	1
XK120 DHC	C6765	1
XK140	C8352	1
XK150 early up to ch no's 830559, 827093, 837467, 824452, 835588		
	C8352	1
XK150 late from ch no's 820001, 830560, 827094, 837468, 824453, 835589		
	C14403	1

(Standard tanks made in mild steel, aluminium also available. Simply add suffix "A" to part number listed above.)

2. Fuel filler hose	BD4368	1
3. Fuel tank mountings		
XK120 Tray	C4198	1
Tie rod	C4158/9	1Pr
XK140 & XK150		
Bolt rear	C8369	2
Stud front	C8368	2
Pad	C8370	4
Nut	JLM9684	4
4. Tank filter		
Filter	C990/1	1
Seal	C1617	1
5. Fuel tank sender		
XK120	C2779	1
XK140 & XK150	C8407	1
Gasket (all models)	C937	1

6. Fuel pipe kit		
XK120 Pipe kit	FS1019	1
Clip	C3727	5
XK140 Pipe kit	FS1020	1
Clip	C3727	5
XK150 early up to ch no 820039, 832080, 827358, 838246, 824884, 836191		
Pipe kit	FS1020	1
Clip	C3727	5

XK150 late from ch no's 820040, 832081, 827359, 838247, 824885, 836192

Pipe kit	FS1021/A	1
Clip	C3727	5

(Later XK150 uses separate "glass body" fuel filter assembly see item 9)

XK150"S" Pipe Kit	SBS1512	1
Clip	C1040/12	1

7. Petrol pump C9688/1 1
(XK150 "S" uses 2 x C9688/1 pumps)

8. Pump mountings		
Stud	C800	2
Grommet	C974	2

9. Glass bowl type fuel filter
XK150 late from ch no's 820017, 831899, 827272, 837941, 824742, 835935

Assembly	C13681	1
Gauze	7299	1
Paper filter*	C28080	1

* Later alternative to original gauze

10. Flexible fuel pipe		
XK120 & XK140	C3629	1
XK150 early up to ch no's 820016, 831898, 827271, 837940, 824741, 835934		
	C3692	1
XK150 late from ch no's 820040, 832081, 827359, 838247, 824885, 836192		
	C3629	1
	C14492	1
XK150"S"		
	C3629	1
	C14734	1
	C14721	1

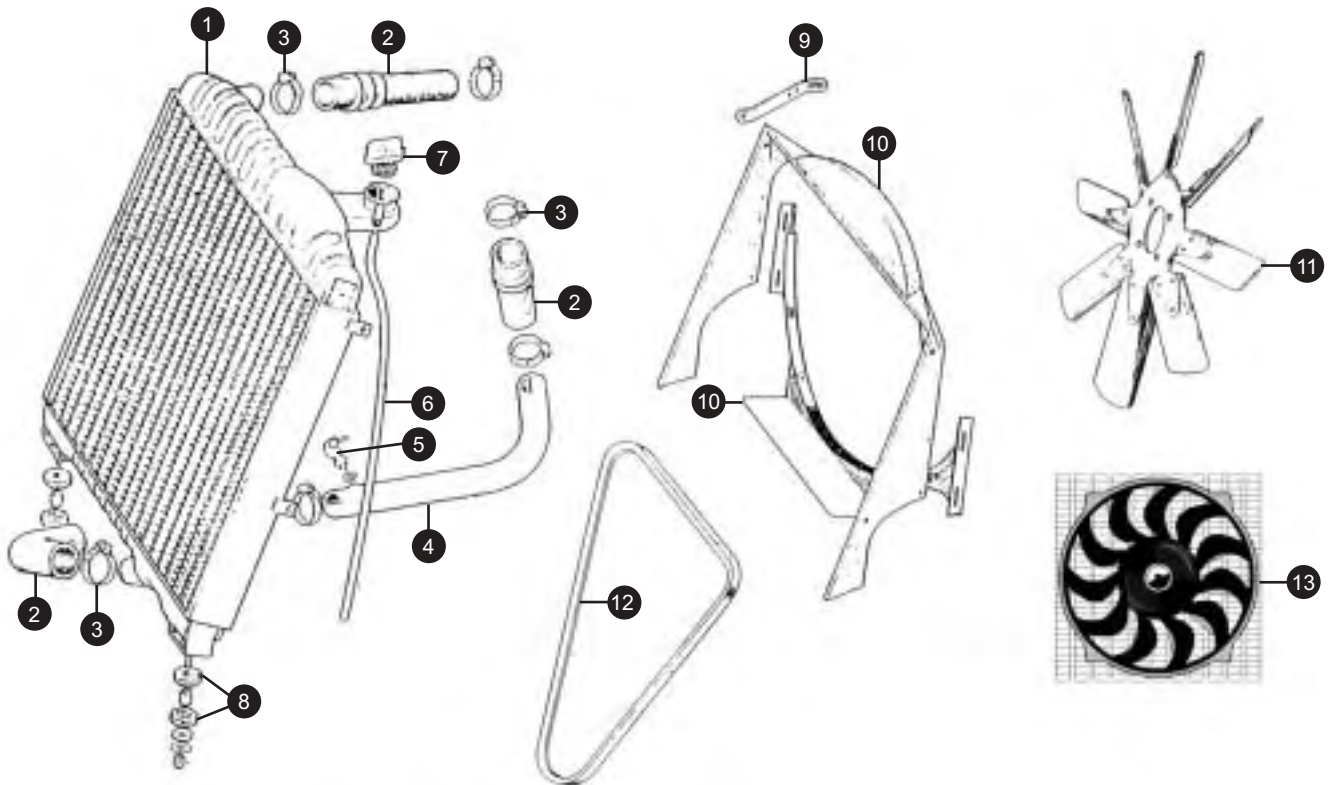
11. Fuel filter bolt
XK150 late from ch no's 820017, 831899, 827272, 837941, 824742, 835935

Washer	C13705	2
	C784	4



Cooling System

Buy on-line at www.sngbarratt.com



1. Radiator

XK120	C3463/2	1
XK140 early up to ch no's 804141, 814240, 800036, 811423 807127, 817459	C7523	1

XK140 late from ch no's 800037, 811424, 804142, 814241 807128, 817460	C9616	1
---	-------	---

XK150	C12922	1
(All available as original new or exchange. Up-rated new or exchange, copper and brass or alternatively as a new item manufactured in aluminium a non-exchange basis).		

2. Hose kits

XK120 early up to ch no's 660227, 670774	HK018	1
--	-------	---

Comprises: C7491 x 1 (Top), C3675 x 1 (Bottom), C3676 x 1 (By-pass)

XK120 late from ch no's 660215, 670683, 669001, 670775 667001, 677001	HK019	1
---	-------	---

Comprises: C6809 x 1 (Top), C4183 x 1 (Bottom), C3676 x 1 (By-pass), BD215/1 x 2 (Heater)

XK140	HK020	1
-------	-------	---

Comprises:- C9617 x 1 (Top), C7545 x 1 (Bottom), C7546 x 1 (Water pump), C7548 x 1 (By-pass), BD215/1 x 2 (Heater)

XK150	HK021	1
-------	-------	---

Comprises: C12447 x 1 (Top), C7545 x 1 (Bottom), C12924 x 1 (Water pump), C7548 x 1 (By-pass), BD215/1 x 2 (Heater)

All hose kits are available in cotton reinforced (suffix R) or silicon (suffix S).

Our Cotton reinforced hose kits are as original specification with a cotton braid added to the hose during manufacture.

Our high quality silicone hose sets are recommended for total reliability under fast road and competition conditions.

3. Hose clip kits

XK120	CS1001/C	1 kit
XK140	CS1002/C	1 kit
XK150	CS1009/C	1 kit

4. Steel pipe

XK140	C7547	1
XK150	C12923	1

5. Radiator drain tap

C4439/1	1
---------	---

6. Overflow hose

C19798/1	1
----------	---

7. Radiator cap

XK120	C3455	1
XK140 early up to ch no's 804141, 814240, 800036, 811423 807127, 817459	C3455	1



Cooling System

Buy on-line at www.sngbarratt.com

XK140 late from ch no's 800037, 811424, 804142, 814241
807128, 817460 C10289 1

8. Radiator mountings

XK120		C3718	2
XK140 & XK150	Pad	C3053	4
	Tube	C6390	2

9. Mounting strap

XK120		C6793	2
XK140 early up to ch no's 804141, 814240 800036, 811423			
807127, 817459	LH	C7592	1
	RH	C7567	1

XK140 late from ch no's 800037, 811424, 804142, 814241
807128, 817460 C9618 2

XK150	LH	C13099	1
	RH	C12925	1

10. Fan cowl

XK140		C7651	1
XK150	Upper	C13105	1
	Lower	C13106	1

11. Fan blade

XK120 early up to eng no. W5464	C2231	1
XK120 late from eng no. W5465	C6747	1

12. Fan belt

XK120 early up to eng no. W5464	C2240	1
XK120 late from eng no. W5465	C5056	1
XK140	C13595	1

XK150 early up to eng no's V5732, VS1522		
	C13595	1

XK150 late from eng no's V5733, VS1523, VA1001, VAS1001
C15840 1

(The above are standard fitment, however many variations may occur due to changes to pulleys/water pumps etc).

13. Kenlowe Thermostatically Controlled Electric Fan Kit

Electrically powered fan kit that is fitted in front of the radiator to supplement the original fan that can be set to cut in and out at your preferred temperature.

XK120/140/150/MK7/8/9 blower	SBS1341	1
------------------------------	---------	---



+44 (0) 1746 765432
sales.uk@sngbarratt.com



+1 603 622 1050
sales.usa@sngbarratt.com



+33 3 85 201 420
sngbarratt.france@wanadoo.fr

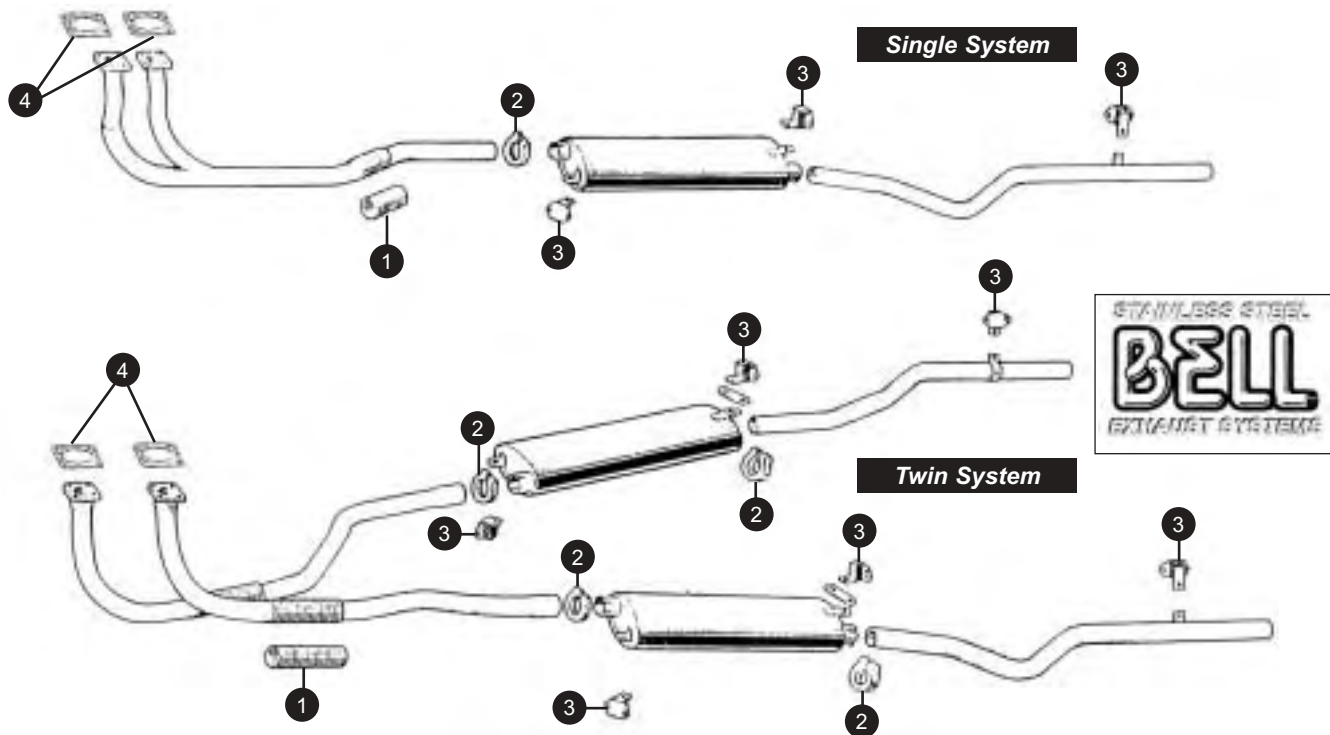


+31 13 52 11 552
verkoop@sngbarratt.com



Exhaust System

Buy on-line at www.sngbarratt.com



Bell stainless steel exhaust systems

XK120 & XK140 single system	BSSJR001	1
Comprises :	BSJR30	1
	BSJR31	1
	BSJR32	1
XK120 twin system	BSSJR035	1
Comprises:	BSJR30	1
	BSJR41	1
	BSJR36	2
XK140 & XK150 twin system - manual gearbox	BSSJR003	1
Comprises:	BSJR37	1
	BSJR38	1
	BSJR39	1
	BSJR40	1
	BSJR43	1
	BSJR44	1
XK140 & XK150 twin system - automatic gearbox	BSSJR036	1
Comprises:	BSJR38	1
	BSJR42	1
	BSJR39	1
	BSJR40	1
	BSJR43	1
	BSJR44	1

1. Flexible frontpipe coupling

Most models C1759 A/R

2. Exhaust clamps

ECL36 (36mm)	A/R
ECL38 (38mm)	A/R
ECL40 (40mm)	A/R
ECL45 (45mm)	A/R
ECL48 (48mm)	A/R
ECL52 (52mm)	A/R
ECL54 (54mm)	A/R
ECL58 (58mm)	A/R
ECL60 (60mm)	A/R

3. Exhaust mountings

Bobbin style	C5062	A/R
Angles type	JLM9542	A/R
Straight type	C8397	A/R

2 & 3. Fitting kit (Comprises clamps, mountings & gaskets).

XK120	EFK001	1 kit
XK140 single	EFK002	1 kit
XK140 & XK150 twin	EFK003	1 kit

4. Downpipe gasket

C495 2

Heatshields (not illustrated)

XK120	Silencer	BD3746/A	1
	Tandem master cyl.	C6700	1
	Single master cyl.	C3960	1

XK140 & XK150

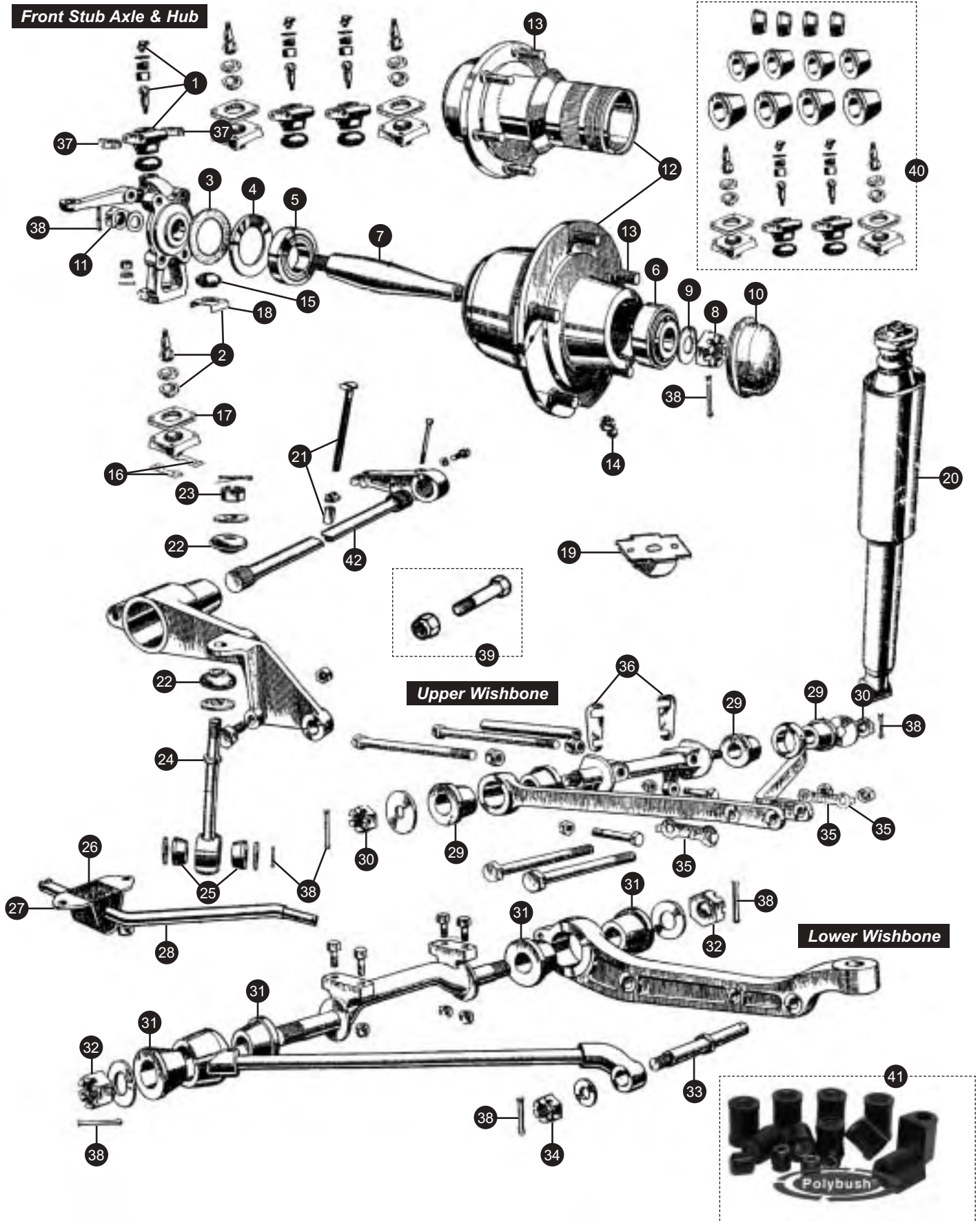
Silencers	BD9409	2
R/H Seat pan	BD9006	1
L/H Seat pan	BD9010	1
Round	BD9023	1

(All systems listed are for standard bore pipe. Big bore, straight through and tubular manifolds are available to special order. Please call for latest availability)



Front Suspension

Buy on-line at www.sngbarratt.com



+44 (0) 1746 765432
sales.uk@sngbarratt.com



+1 603 622 1050
sales.usa@sngbarratt.com



+33 3 85 201 420
sngbarratt.france@wanadoo.fr



+31 13 52 11 552
verkoop@sngbarratt.com



Front Suspension

Buy on-line at www.sngbarratt.com

1. Upper ball joint	GSJ145	2
2. Lower ball joint	C8324K	2
3. Hub seal	C615	2
4. Seal retainer	C614	2
5. Inner hub bearing	C3011	2
6. Outer hub bearing	C3012	2
7. Stub axle	C3008	2
8. Outer castle nut	NL609041J	2
9. "D" washer	C3400	2
10. Dust cap	CBC6766	2
11. Inner castle nut	C3010/2	2
12. Front wheel hub		
XK120 & XK140 steel wheel cars	C3037	2
RH wire wheel cars	C6020	1
LH wire wheel cars	C6021	1
XK150 steel wheel cars	C12926	2
RH wire wheel cars	C12928	1
LH wire wheel cars	C12929	1
13. Hub stud		
steel wheel cars	C13365	10
wire wheel cars	C6277	10
14. Grease nipple		
steel wheel cars	C3044/1	2
wire wheel cars	C3076/1	2
15. Ball joint gaiter		
black	C3020	2
clear	C43216	2
16. Lock plate	C3021	2
(Not included in kit item 2)		
17. Ball joint shim	C3026/1	A/R
(Not included in kit item 2)		
18. Gaiter retainer	C8326	2
19. Bump stop	C3036	2
20. Front shock absorber		
XK120 Std C3035 Koni 80-1105		2
XK140/150 Std C16001 Koni 82-1027		2
XK150S Std C16001 Koni 82-1107		2
21. Adjuster bolt/nut	C3096/7	2
22. Anti roll bar upper link bush	C3035	4
23. Castle nut	NN743/L	2
24. Anti roll bar link	C3049	2
25. Anti roll bar link lower bush*	C3050	4
26. Anti roll bar mounting bush*		
XK120 (up to ch. numbers (661004, 672669, 669002, 679896)	C3056	2
XK120 (from ch. numbers (661005, 672670, 669003, 679897)		
667001, 677001), XK140 & XK150	C16633	2
27. Anti roll bar bracket	MNA3501AA	2
28. Anti roll bar		
XK120 (up to ch. numbers (661004, 672669, 669002, 679896)	C3447	2

XK120 (from ch. numbers (661005, 672670, 669003, 6798970 667001, 677001), XK140 & XK150 C7220 1

(Part numbers are for standard, uprated bars of a larger diameter are available, add suffix 'U')

29. Upper wishbone bush*	C3003	8
30. Castle nut	C3010/2	4
31. Lower wishbone bush*	C3021	8
32. Castle nut	C3010/2	4
33. Shock absorber mounting pin	C3018	2
34. Castle nut	NL609041J	2
35. Lockwasher	C3007	4
36. Camber shim	0.064" C3166/1	A/R
	0.048" C3166/2	A/R
	0.036" C3166/3	A/R
37. Castor shim	0.064" C8918/1	A/R
	0.048" C8918/2	A/R
	0.036" C8918/3	A/R

38. Split pins	L104/10U	14
	L105/12U	6
	L103/7U	4
	L105/10U	2
	L103/8U	2

39. Nuts and bolts		
ARB bush keep plate bolt	SH606061J	4
ARB bush keep plate nut	JLM9685	4
Rear wishbone lever anchor bracket bolt	BH606161J	4
Rear wishbone lever anchor bracket nut	JLM9685	4
Bottom ball joint cap to housing bolt	UFS137/9R	8
Stub axle shaft inner slotted nut	C3010/2	2
Adj. lever to reaction bkt clamp bolt	SH606101J	2
Torsion bar adjusting nut	C3097	2
Upper shock absorber bolt	C4891	2
Upper shock absorber nut	NN443/L	2
Upper ball joint nut	C8737/5	2
Lower ball joint nut	C87376	2

40. Front suspension rebuild kit

Includes all standard suspensions bushes with upper and lower ball joints.

XK120 early	SU3004	1
XK120 late/XK140/XK150	SU3005	1

41. Polybush polyurethane bush set

Improve handling, longer life and simple to fit!

XK120 early	SU3004PB	1
XK120 late/XK140/XK150	SU3005PB	1

42. Torsion bars

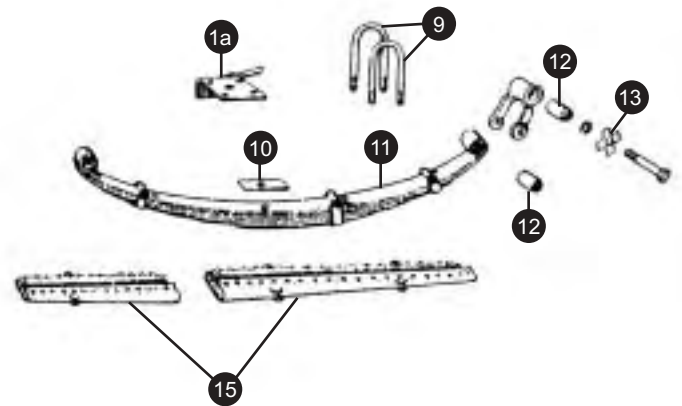
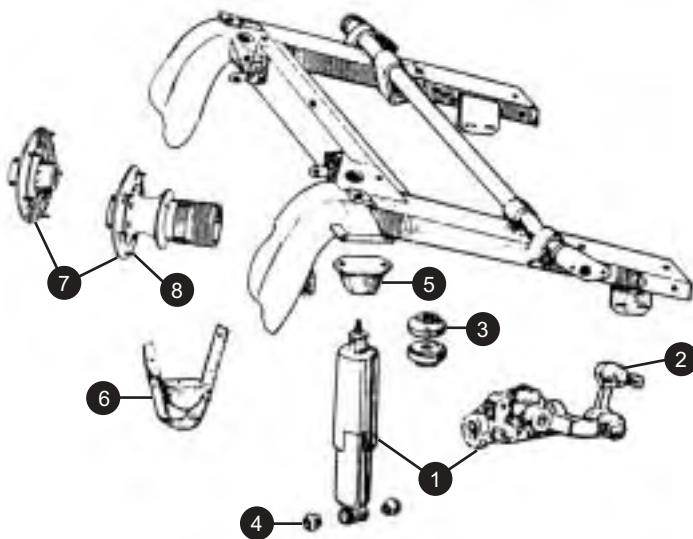
Standard RH	C5719	1
LH	C5720	1
Uprated	C5719/20UPRAT	1

* All suspension bushes are available separately as Polybush polyurethane alternatives by adding the suffix 'U' to the part number.



Rear Suspension

Buy on-line at www.sngbarratt.com



1. Rear shock absorber

XK120	RHR	C7214	1
	LHR	C7215	1

XK140 & XK150	Standard	C16558	2
	Koni	80-1027	2

(Note, competition and adjustable also available)

1A. Telescopic rear shock absorber conversion

XK120	SU3009	1 kit
-------	--------	-------

(Kit comprises mounting plates to change lever arm shocks to telescopic, shock absorbers and fittings.)

2. Link and pin assembly

XK120	677	2
-------	-----	---

3. Upper mounting bush

XK140 & XK150	C3053	4
---------------	-------	---

4. Lower mounting bush

XK140 & XK150	C3273	4
---------------	-------	---

5. Rebound buffer

	C3208	2
--	-------	---

6. Rebound strap

XK120	strap	C3429	2
	buffer	632	2

7. Rear wheel hub

XK120 ENV	Steel wheel cars	(see item 9)	
	RH Wire wheel cars	C6022ENV	1
	LH Wire wheel cars	C6023ENV	1

XK120 Salisbury/XK140

	Steel wheel cars	C5064	2
	RH Wire wheel cars	C6022	1
	LH Wire wheel cars	C6023	1

XK150	Steel wheel car	C12931	2
	RH Wire wheel cars	C12933	1
	LH Wire wheel cars	C12934	1

(All part numbers quoted are for cars with standard brakes)

8. Hub stud

XK120 & 140	C3040	10	
XK150	Steel wheel cars	C13365	10

9. "U" bolt

	C7752	4
--	-------	---

(May require trimming on some applications)

10. Spring wedge

XK140 & XK150	C3186	2
---------------	-------	---

11. Rear leaf spring

XK120 & XK140	C5721	2
XK150	C14476	2

12. Spring eye bush

	C8939	6
--	-------	---

(New leaf springs include bush's)

13. Tab washer

	C3651	2
--	-------	---

14. Mounting bolts

Shackle to frame bolt	NB143/23F	2
Road spring to shackle/ chassis bolt	NB143/28F	4
Road spring to shackle/ chassis bolt- nut	NH607041J	4
Bump stop bolt	NB131/5D	4
Bump stop bolt- nut	NN131/I	4
U-bolt nut	NN150/L	8
U-bolt locknut	NN250/L	8

15. Spring gaiters

	C3877/78	1 set
--	----------	-------



+44 (0) 1746 765432
sales.uk@sngbarratt.com



+1 603 622 1050
sales.usa@sngbarratt.com



+33 3 85 201 420
sngbarratt.france@wanadoo.fr



+31 13 52 11 552
verkoop@sngbarratt.com

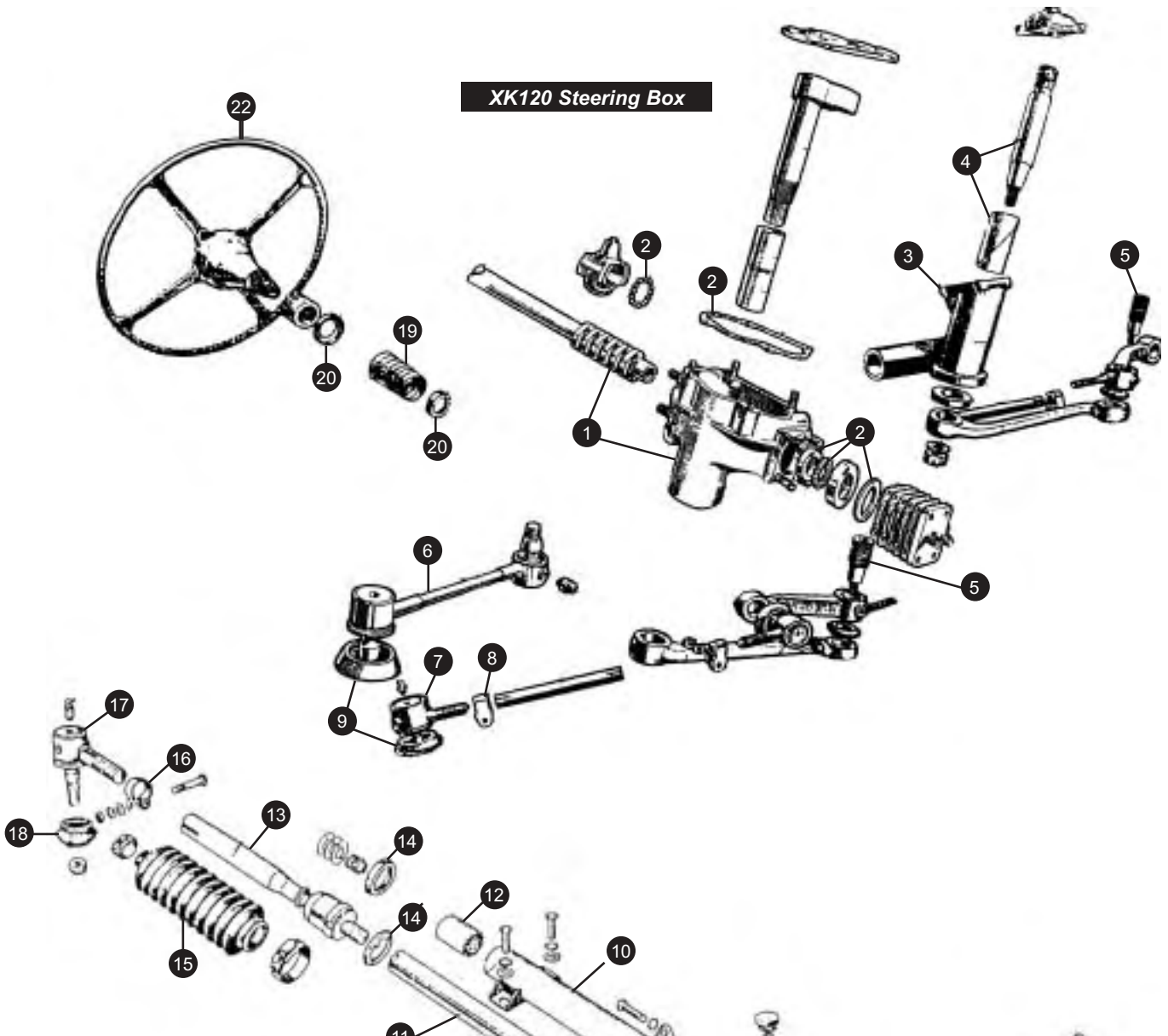


Steering

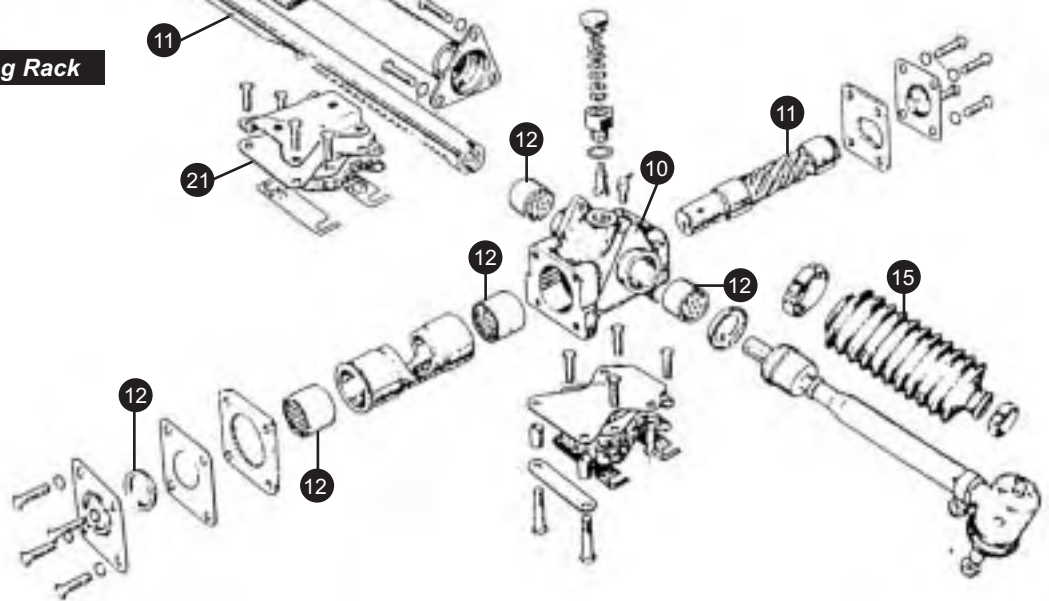
Buy on-line at www.sngbarratt.com



XK120 Steering Box



XK140 /150 Steering Rack



XK120 Steering Box

1. Steering box assembly

XK120 RHD	C3448	1
XK120 LHD	C3449	1
(Supplied on exchange only and can be converted LHD>RHD, RHD>LHD if required)		

2. Repair kit

	3957RP	1
Comprises:		
Bearing races	3996	1
Gaskets	3984/85	1
Oil seal	4101	1
Felt seal	11665	1
Ball bearing	136	28
Ball bearing	137	14

3. Steering idler

XK120RHD	C3949	1
XK120LHD	C3950	1
(Supplied on exchange only)		

4. Repair kit

	C3949KIT	1
Comprises:		
Bush	C3202	1
Shaft	C3201	1

5. Pin & bush

	C3493	2
(Pin & bush assembly only, not complete end)		

6. Track rod assembly (fixed)

XK120 late from ch no's 660228, 669001, 670761, 679001		
667001, 677001	C4726/27	1 pair

7. Track rod assemblies

XK120 early up to ch no's 660227, 670760		
Right hand	C3062	2
Left hand	C3063	2

8. Securing clamp

XK120 early up to ch no' 660227, 670760		
	C3165	4

9. Gaiter

	EAW2270J	4
--	----------	---

XK140 & XK150 Steering Rack

10. Steering rack assembly

XK140 & XK150 RHD	C8469	1
XK140 & XK150 LHD	C8470	1
(Supplied on exchange only and can be converted LHD>RHD RHD>LHD if required)		

11. Rack & pinion set

	C7067/C7606	1
--	-------------	---

12. Repair kit

Comprises:-		
Seal	C7059	1
Bellows	EAW2254J	2
Bearing	C7566	2
Bush	C10628	2
Bush	C7103	1
Clip	C2905/2	2
Clip	C2905/4	2

13. Track arm

	C8322	2
--	-------	---

14. Tab washer

Inner	C8053	2
Outer	C7607	2 or
	C10027	2

(Outer on early XK140 with slotted ball housing C7607, later cars with hexagon ball housing C10027)

15. Track arm bellows

	EAW2254J	2
--	----------	---

16. Securing clamp

	C3165	2
--	-------	---

17. Track rod end

	C8323	2
--	-------	---

18. Gaiter

	EAW2270J	2
--	----------	---

19. Dust cover

	C1024	1
--	-------	---

20. Cup

XK120	Top	C3366	1
	Bottom	C3386	1

XK140/150	Top	C8576	1
	Bottom	C3366	1

21. Steering rack mounting

	C7799	2
--	-------	---

22. Steering wheel



XK120/140/150 Original

An exact reproduction of the wheel fitted by Jaguar to the XK range, which accepts the original indicator and/or horn push assembly.

XK120	wheel	C3721	1
	circlip	C1036	1
XK140/150	wheel	C7842	1
	split cone nut	C7878	2
		C7879	1



Classic 4 Spoke Laminated

An accessory woodrim steering wheel that is available in either 15" or 16" and can be fitted to any Jaguar XK using a centre boss kit.

MLW4115-14, 15 or 16 (15" is available in mahogany or walnut add suffix M or W to part number).



Classic 4 Spoke Walnut

An alternative to the original wheel for the XK140/150 which requires an alternative boss and horn control assembly in order to facilitate fitment.

Steering wheel	SBS6602
Special boss	SBS6603
Polished horn push	SBS6604



Centre Boss & Horn Push Kit

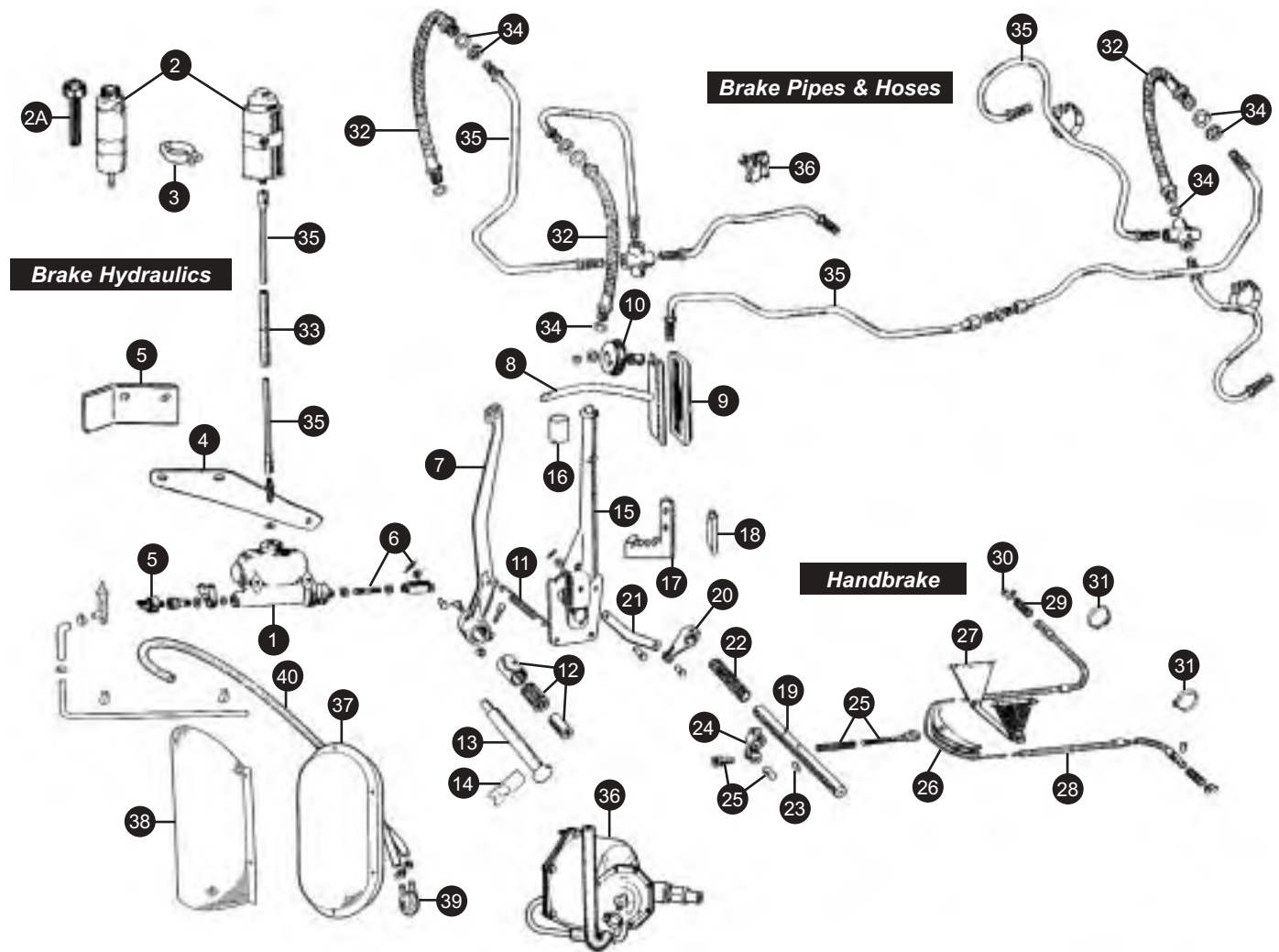
Period black crackle finish and comes complete with hornpush

XK120	B24H
XK140/50	B32H



Brake Controls

Buy on-line at www.sngbarratt.com



1. Brake master cylinder

XK120 early "single" system up to ch no's 660979, 669002, 672048, 679621 C8302 1

XK120 Tandem system (see also 1A) C6712 1
 XK140 C8302 1
 XK150 C16470 1

1A. Tilt valve (not illustrated)

XK120 late 32961 2
 (Used in "tandem" system only)

2. Fluid reservoir

XK120 early up to ch no's 660979, 669002, 672048, 679621
 Jar only C3609 1
 Full assembly VR3246 1

XK120 late C6427 1
 XK140 C8565 1
 XK150 early up to ch no's 820070, 832112, 827539, 838589
 925178, 836634 C8565 1
 XK150 late C23638 1

2A. Fluid level sender unit

XK150 late C23632 1
 (Included with C23638)

3. Mounting bracket

XK120 early up to ch no's 660979, 669002, 672048, 679621
 1513 1
 XK140 C8565/1 1
 (Universal bracket for all models)
 XK150 C5173 1

4. Support bracket

XK120 early up to ch no's 660058, 670184
 C3709 1
 XK120 up to ch no's 660979, 669002, 672048, 679621
 C4032 1
 XK120 late C6696 1
 XK140 RHD C8288 1
 LHD C8289 1
 XK150 RHD C12972 1
 LHD C12973 1



Brake Controls

Buy on-line at www.sngbarratt.com

5. Brake light switch		C5218	1
6. Master cylinder push rod			
XK120 early up to ch no's 660979, 669002, 672048, 679621			
rod		C3857	1
fork		C3252	1
XK120 late			
rod		C6693	1
fork		C3252	1
XK140			
rod		C8291	1
fork		C3252	1
XK150			
rod		6946	1
fork		C3252	1
7. Brake pedal			
XK120	RHD	C3222	1
	LHD	C3221	1
XK140 OTS/DHC	RHD	C7549	1
	LHD	C7550	1
XK140 FHC	RHD	C8868	1
	LHD	C10348	1
XK150 MANUAL	RHD	C12791	1
	LHD	C12955	1
XK150 AUTO	RHD	C12970	1
	LHD	C12955	1
8. Stem plate			
XK120		C3601	1
XK140 OTS/DHC	RHD	C7782	1
	LHD	C9554	1
XK140 FHC	RHD	C8865	1
	LHD	C10349	1
XK150 MANUAL	LHD	C12956	1
	RHD	C12957	1
XK150 AUTO	LHD	C12960	1
	RHD	C12961	1
9. Pedal pad			
XK120		792	1
XK140 OTS/DHC		792	1
XK140 FHC		C9934	1
XK150 MANUAL		C9934	1
XK150 AUTO		C6876	1
10. Stem seal			
XK120		C4036	1
XK140 OTS/DHC		C8166	1
XK140 FHC & XK150		C8299	1
11. Pedal return spring			
XK120 early up to ch no's 660979, 669002, 672048, 679621			
		C3317	1
XK120 late & XK140		C4801	1
XK150		C3317	1

12. Pedal bearing			
Bearing and outer sleeve		C3223	1
Inner tube		C3224	1
13. Brake pedal shaft			
XK120	LHD	C3361	1
XK150		C12967	1
(Other models have shaft welded to chassis. Replacements are available but will require cutting and welding).			
14. Locktab			
XK150		C13061	1
15. Handbrake lever			
XK120	RHD	C3714	1
(Lever and knob only)	LHD	C3272	1
XK140 & XK150	RHD	C16785	1
(Complete assembly)	LHD	C16786	1
16. Handbrake knob			
XK120		C36270K	1
XK140 & XK150		C16823-A1	1
17. Handbrake ratchet			
XK120		C3805	1
(Modification required for very early cars)			
XK140 & XK150 (not available separately)			
18. Handbrake pawl			
XK120		C3657	1
XK140 & XK150 (not available separately)			
19. Shaft for lever			
XK120	RHD	C3654	1
	LHD	C3655	1
XK140 & XK150		C8318	1
20. Link fork			
XK140 & XK150		C8317	1
21. Link			
XK140 & XK150 early		C8316	1
XK150 LATE		C16866	1
(Early single cable, late twin cable)			
22. Spring		C3722	1
23. Woodruff key		C755	2
24. Cable lever			
XK120 & XK140		C3656	1
XK150		C13007	1
25. Adjustable rod assembly		C3322	1 kit
26. Compensator			
XK120, XK140 & early XK150		C3274/1	1
(Single cable fitment)			
XK150 late		C16870	1

+44 (0) 1746 765432
sales.uk@sngbarratt.com+1 603 622 1050
sales.usa@sngbarratt.com+33 3 85 201 420
sngbarratt.france@wanadoo.fr+31 13 52 11 552
verkoop@sngbarratt.com

Brake Controls

Buy on-line at www.sngbarratt.com



27. Abutment assembly

XK120	C5771	1
XK140	C8389	1
XK150 early (single cable)	C14467	1
XK150 late (twin cable)	C16863	1

28. Handbrake cable

XK120 (ENV axle)	C3828	1
XK120 & XK140 (Salisbury axle)	C6677	1
XK150 early (Single cable)	C13016	1
XK150 late (Twin cable)	C16868	2

29. Return spring* C5066 2

30. Retainer for spring* C5067 2

(*Not for ENV axles or twin cable XK150)

31. Axle clip

XK120 C3617 4
(Does both handbrake cable and brake pipe)

XK140	Cable LH	C7859	1
	Cable RH	C7875	1
	Brake pipe	C7860	2

XK150 early (Single cable)	Cable	C13022	2
	Brake pipe	C7860	2

XK150 late (Twin cable)	Cable	C16940	2
	Brake pipe	C7860	2

32. High pressure brake hose

XK120 & XK140			
Front & rear	Standard	C3909	3
	Braided s/steel*	C3909SS	3

XK150			
Front*	Standard	JLM9702	2
	Braided s/steel*	JLM9702SS	2

Rear	Standard	C30753	1
	Braided s/steel*	C30753SS	1

Stainless Steel Braided Brake Hose

If you are planning to upgrade your brake system, it may be a good idea to change the original rubber brake hoses at the same time, as the traditional brake hoses are often the weak point in any braking system tending to swell slightly when the brake pedal is pushed. The result of which is wasted hydraulic pressure between the brake master cylinder and the caliper. Because the stainless steel brake hoses don't expand when the pedal is pushed, all the hydraulic pressure reaches the caliper, obviously resulting in greater braking efficiency with less pedal effort for the driver. For safety reasons these hoses will only be sold and should only be fitted in a car set.

33. Low pressure hose C20072/5 1

34. High pressure brake hose fittings

XK120 & XK140	Nut	C3910	3
	S/proof washer	C3911	3
	Copper washer	C3925	3

XK150	Nut	UFN237/L	5
	Copper washer	C4146	5

35. Cunifer brake pipe set

Full set with each pipe cut to length, fitted with unions and it's position on the car clearly marked.

XK120 early single system up to ch no's 660979, 669002, 672048, 679621			
RHD	GB5510	1	kit
LHD	GL5510	1	kit

XK120 late	RHD	GB5518	1	kit
	LHD	GL5518	1	kit

XK140	RHD	GB5517	1	kit
	LHD	GL5517	1	kit

XK150	RHD	GB5515	1	kit
	LHD	GL5515	1	kit

36. Brake servo assembly

XK150	C19612	1
-------	--------	---

37. Vacuum tank

XK150	C24910	1
-------	--------	---

38. Vacuum tank shroud

XK150	C24913	1
-------	--------	---

39. Vacuum tank valve

XK150	C14693	1
-------	--------	---

40. Braided brake vacuum hose

XK150 (sold by the foot)	BR1010	A/R
--------------------------	--------	-----

We can also supply brake pipe and unions to allow you to manufacture individual pipes if required. Examples of which are:

Brake pipe by the metre	K1	3/16"
	K2	1/4"

Male brake pipe ends	BR1007	3/16"
	BR1004	1/4"

Female brake pipe ends	BR1009	3/16"
	BR1005	1/4"

Two way brake unions

Brake master	C8562
Brake cylinder	C3907
Brake cylinder	C3904

Three way brake unions	C13189	3/16"
	C3922	1/4"

Four way brake unions	C17467	3/16"
-----------------------	--------	-------

Five way brake unions	C13179	3/16"
-----------------------	--------	-------

Banjo bolts	Brake master	C3900
	Brake cylinder	C3906

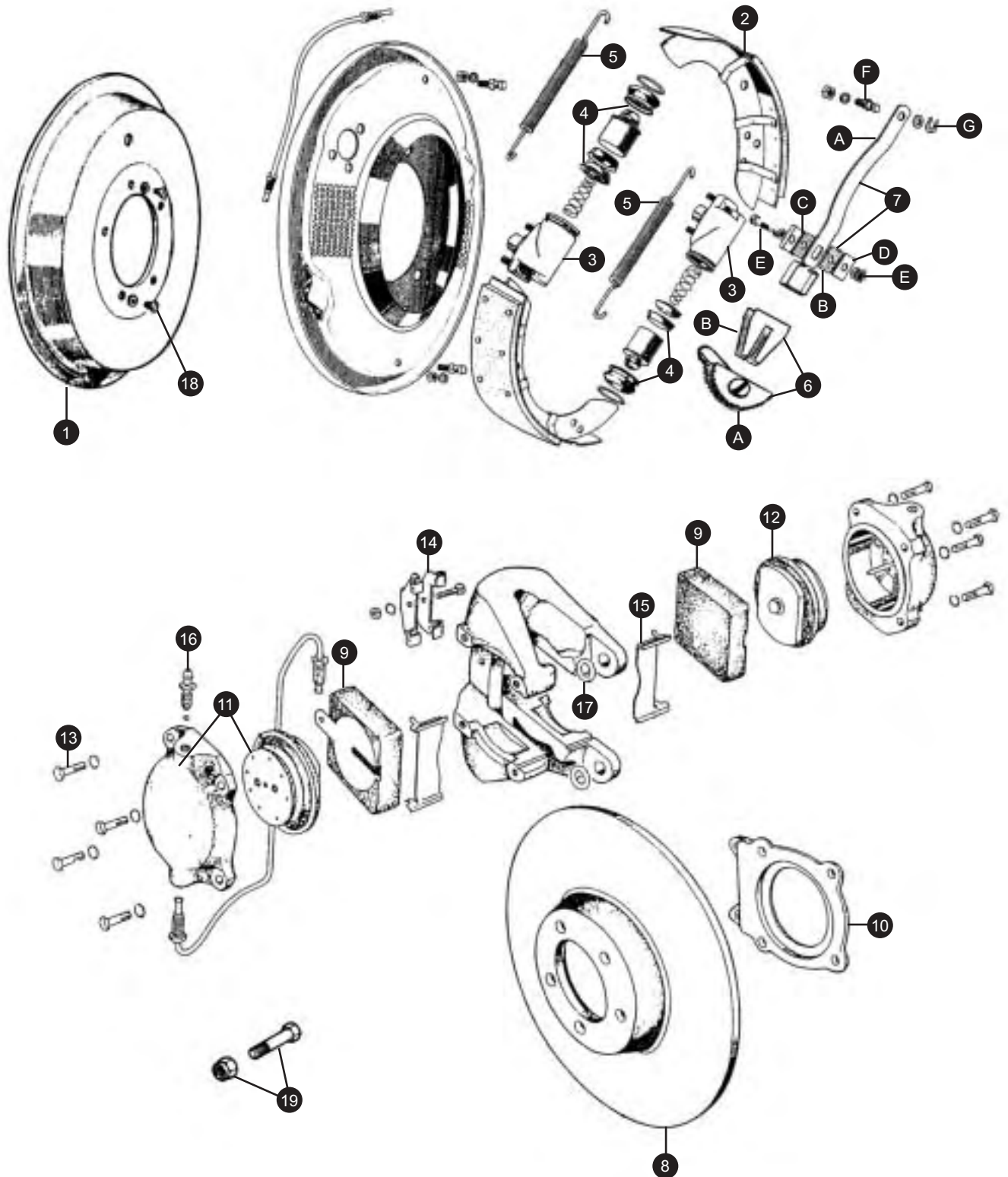
Copper washers	C4146	3/8"
	C3925	7/16"
	C3926	17/32"

Please note a full selection of nuts, bolts and washers are always available. Please contact us with your requirements.



Front Brakes

Buy on-line at www.sngbarratt.com



+44 (0) 1746 765432
sales.uk@sngbarratt.com



+1 603 622 1050
sales.usa@sngbarratt.com



+33 3 85 201 420
sngbarratt.france@wanadoo.fr



+31 13 52 11 552
verkoop@sngbarratt.com



Front Brakes

Buy on-line at www.sngbarratt.com

1. Brake Drum

XK120 & XK140	Steel wheels	C7221	2
	Wire wheels	C6024	2

2. Brake linings

XK120 early (16 rivets per lining) up to ch no's 660979, 672048, 669002, 679621 29476 1 set

XK120 late & XK140 (12 rivets per lining) 35129 1 set

Linings are supplied with the necessary rivets for fitment. A relining service is available upon request.

3. Wheel cylinder

XK120 early up to ch no's 660979, 672048, 669002, 679621

	25452	4
XK120 late & XK140	30635	4

4. Wheel cylinder repair kit

XK120 & XK140 KL71490 4

5. Pull off spring

XK120 EARLY up to ch no's 660979, 672048, 669002, 679621 2021 4

XK120 late & XK140 4173 4

6. Adjuster components (manual)

XK120 early up to ch no's 660979, 672048, 669002, 679621

(A) adjuster	21787	4
(B) mask	22459	4

7. Adjuster components (automatic)

XK120 LATE & XK140

(A) bar	31057	4
(B) friction pad	31059	8
(C) bottom plate	34015	4
(D) top plate	34016	4
(E) bolt kit	31058	4
(F) anchor pin	30619	4
(G) circlip	KL40002	4

8. Brake disc

XK150	disc	C12988	2
	bolt	C32533	10
	nut	NV607041J	10

9. Brake pads

XK150 early (round pads) up to ch no's 820003, 831711, 827235, 837835, 824668, 835885 8346 1 set

XK150 late (square pads) 10821 1 set

10. Mounting plate

XK150 C12930 2

11. Brake cylinder

XK150 early up to ch no's 820003, 827235, 837835, 824668 835885 (only available on exchange) 6903 4

XK150 late 8777 4

12. Seal kit

XK150 SP2556 1

13. Cylinder bolt

XK150 6913 16

14. Pad retainer

XK150 7719 2

15. Support plate

XK150 7718 4

16. Bleed screw

XK120 & XK140 C3908 2
XK150 6619 2

17. Caliper mounting shim

XK150 (0.004") C44146/1 A/R
(0.010") C44146/2 A/R

18. Brake drum securing screw

XK120 & XK140 C3078 4
(Used only on steel wheel models)

19. Nuts & bolts

A full range of nuts, bolts and washers are available from stock including:

Bolt brake assemblies to stub axle carrier

	BH607261J	8
Castle nut for above	UFN443/L	4
Disc to hub bolt (XK150)	C32533	10
Locking nut for above	NV607041J	10
Brake caliper to mounting plate bolt (XK150)	C13547/1	4
Pad retainer through bolt	BH607261J	2
Nut for above	JLM9683	2

All part numbers quoted are for standard cars.

XK120 & XK140 brake disc conversion

Four stainless steel pistons housed within a solid XJ style caliper they offer not only the benefit of greater braking power but also greatly increases the pad area contacting the brake disc. (Requires conversion to wire wheels)

SBS9330 1 kit

XK150 four piston brake caliper conversion

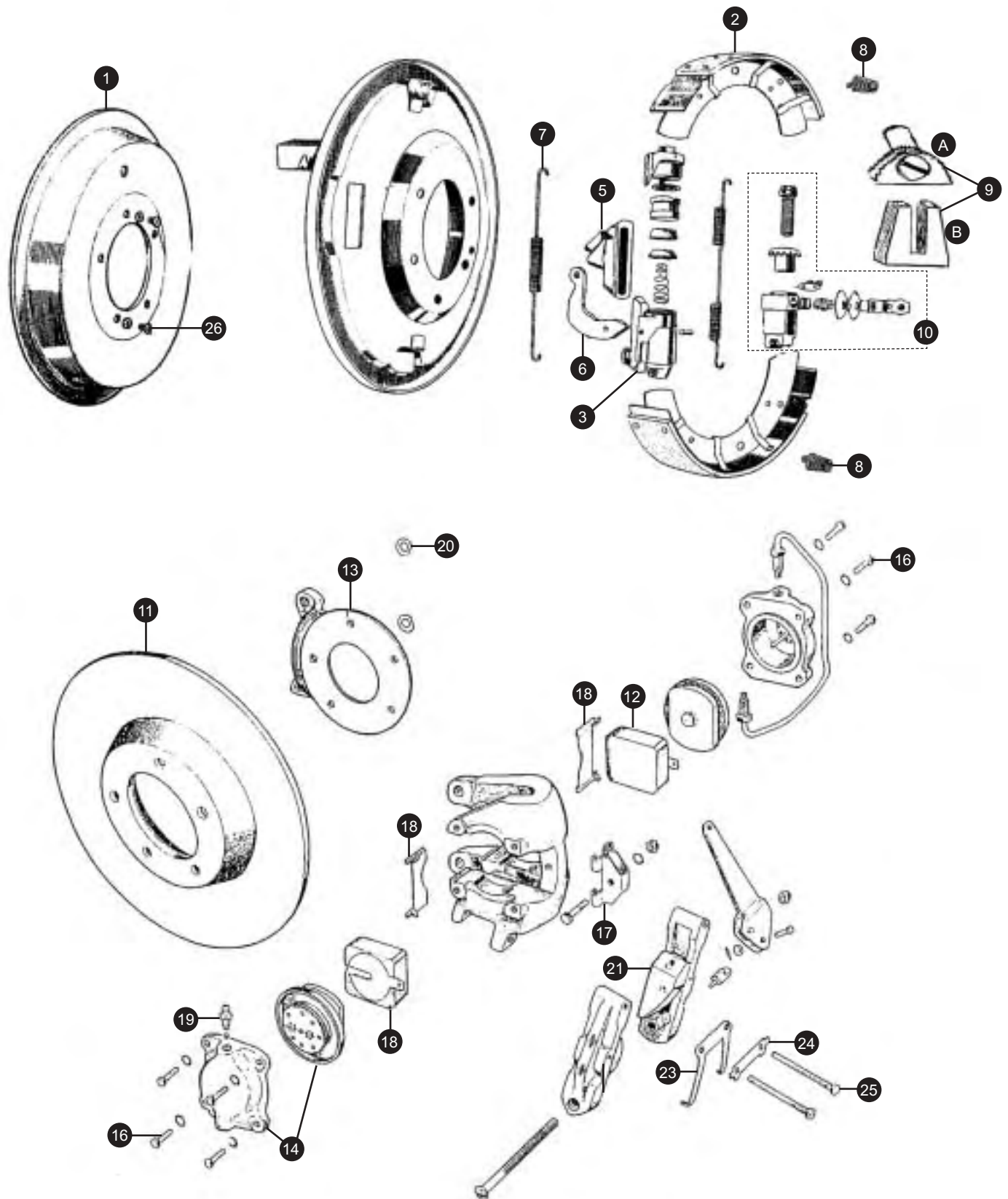
Utilizing the original solid brake discs and brake hoses makes this a quick and easy conversion to fit. Having four stainless steel pistons housed within a solid XJ style caliper they offer not only the benefit of greater braking power but also greatly increases the pad area contacting the brake disc.

SBS9086 1 kit



Rear Brakes

Buy on-line at www.sngbarratt.com



+44 (0) 1746 765432
sales.uk@sngbarratt.com



+1 603 622 1050
sales.usa@sngbarratt.com



+33 3 85 201 420
sngbarratt.france@wanadoo.fr



+31 13 52 11 552
verkoop@sngbarratt.com



Rear Brakes

Buy on-line at www.sngbarratt.com

1. Brake drum

XK120 & XK140	Steel wheels	C7228	2
	Wire wheels	C6025	2

(C6025 not suitable for ENV axle)

2. Brake lining

XK120 early (16 rivets per lining)	29476	1 set
XK120 late & XK140 (12 rivet per lining)	35129	1 set

(Early models are normally classed as those that are fitted with ENV axles)

Linings are supplied with the necessary rivets for fitment. A relining service is available upon request.

3. Brake cylinder

XK120 early up to ch no's 660979, 672048, 669002, 679621	25452	2
--	-------	---

XK120 late AND XK140	30730	2
----------------------	-------	---

4. Seal kit

XK120 early up to ch no's 660979, 672048, 669002, 679621	KL71470	2
XK120 LATE & XK140	LK10518	2

5. Boot for lever

XK120 & XK140	21740	2
---------------	-------	---

6. Lever

XK120 & XK140	38986	2
---------------	-------	---

7. Pull off spring

XK120 early up to ch no's 660979, 672048, 669002, 679621	2021	4
XK120 late & XK140	Adjuster side 30708	2
	Cylinder side 30709	2

8. Beehive spring

XK120 & XK140	21792	2
---------------	-------	---

9. Adjuster components (manual)

XK120 early up to ch no's 660979, 672048, 669002, 679621	(A) adjuster 21787	4
	(B) mask 22459	4

10. Adjuster assembly

XK120 late & XK140	RH 39037	1
	LH 39038	1

(Available on exchange only)

11. Brake disc

XK150	disc	C12988	2
	bolt	C32533	10
	nut	NV607041J	10

12. Brake pad

XK150 early (round pads) up to ch no's 820003, 831711, 827235, 837835, 824668, 825885	8346	1 set
---	------	-------

XK150 late (square pads)	10821	1 set
--------------------------	-------	-------

13. Mounting plate

XK150	RH	C12935	1
	LH	C12936	1

14. Brake cylinder

XK150 early up to ch no's 820003, 831711, 827235, 837835	825885 (Only available on exchange)	7226	4
--	-------------------------------------	------	---

XK150 LATE	1 5/8"	7847	4
	1 11/16"	3340	4

(Note most cars left factory with 1 5/8" however some cars had replacement 1 11/16" fitted as alternative. Please check before ordering)

15. Brake cylinder seal kit

1 5/8"	SP2559	4
1 11/16"	SP2569	4

(Note most cars left factory with 1 5/8" however some cars had replacement 1 11/16" fitted as alternative. Please check before ordering)

16. Cylinder bolt

XK150	6913	16
-------	------	----

17. Pad retainer

XK150	7719	2
-------	------	---

18. Support plate

XK150	7718	4
-------	------	---

19. Bleed screw

XK120 & XK140	C3908	2
XK150	6619	2

20. Caliper mounting shim

XK150	0.005"	C13198	A/R
	0.020"	C13199	A/R

21. Handbrake pads

XK150	8302	1 set
-------	------	-------

22. Bolt carriers to lever

XK150	6927	2
-------	------	---

23. Retraction fork

XK150 late from ch no's 820071, 832120, 827540, 838754,	825179, 836744	8846	2
---	----------------	------	---

24. Tab washer

XK150 late	8014	2
------------	------	---

(Applicable to item 23 only)

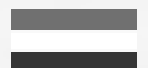
25. Bolt carrier to caliper

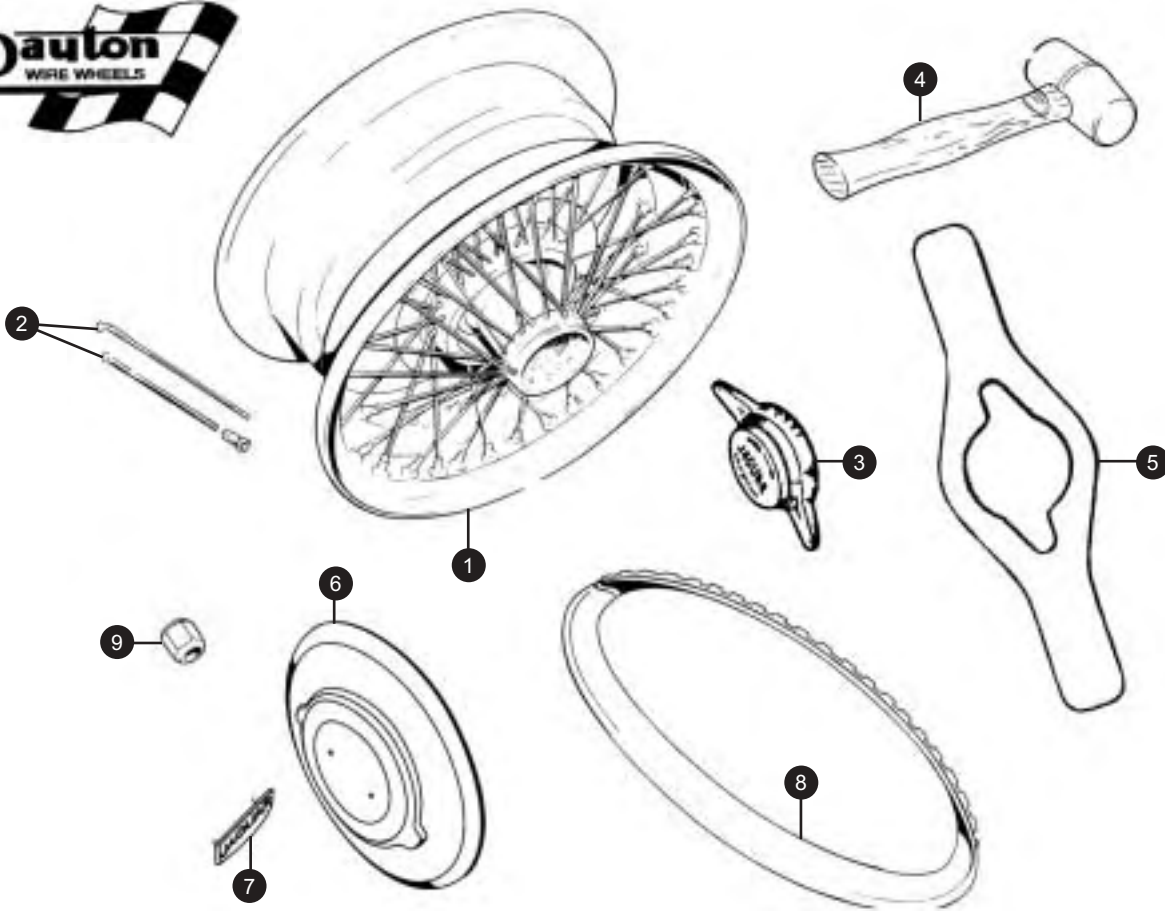
XK150 early up to ch no's 820070, 832119, 827539, 838753	825178, 836743	6925	4
XK150 late		8016	4

26. Brake drum securing screw

XK120 & XK140	C3078	4
---------------	-------	---

(Used only on steel wheel models)





SNG Barratt have been selling Dayton Wire Wheels which are made by skilled craftsmen in the USA for several years now. In that time we have found that our customers are not only thrilled by their price, but also by the quality of their construction too! If you're thinking of fitting chrome wire wheels to your Jaguar or replacing a set that have seen better days, take a look at this list of Dayton features before you decide which wheels to buy!

a) Stainless steel spokes which cannot rust and have twice the fatigue resistance of chrome-plated spokes.

b) Swaged spokes, which are thicker at the hub and tapered to the rim. The swaging process gives the spoke a smooth, brilliant finish, provides more even distribution of stress, and allows the use of more spokes for added strength.

c) Four-layer nickel-chrome plating for greater durability and corrosion resistance.

d) Custom designs with the bolt circle and center locating hole precisely machined to each vehicle's original wheel specification for smooth running.

e) Expert polishing of all parts. Rims are polished on both front and back sides.

f) Fully tested designs to the Society of Automotive

Engineers' specification J328 for fatigue resistance.

g) Each wheel is hand-tightened and gauged for concentricity. Spokes are pre-loaded with even tension for durability and precise wheel alignment. Periodic retreating and retightening are not required.

h) Three year comprehensive manufacturer's warranty.

1. Wire wheel (all models)	D456
2. Wire wheel spokes (standard size wheels)	
	<u>Long</u> <u>Short</u>
All models	7942 7944
3. Two eared chrome spinner	
RH C1102	LH C1103
4. Wire wheel hammer	
Copper/Hide	C992
Lead (Mazak/Zinc)	C27290
5. Wooden two eared spinner saver	SBS9306
6. Hubcap (disc wheels)	C3243A
7. Hubcap badge (disc wheels)	C23963
8. Chrome wheel rim trim (disc wheels)	C8385
9. Wheel nut	C3041



+44 (0) 1746 765432
sales.uk@sngbarratt.com



+1 603 622 1050
sales.usa@sngbarratt.com



+33 3 85 201 420
sngbarratt.france@wanadoo.fr



+31 13 52 11 552
verkoop@sngbarratt.com

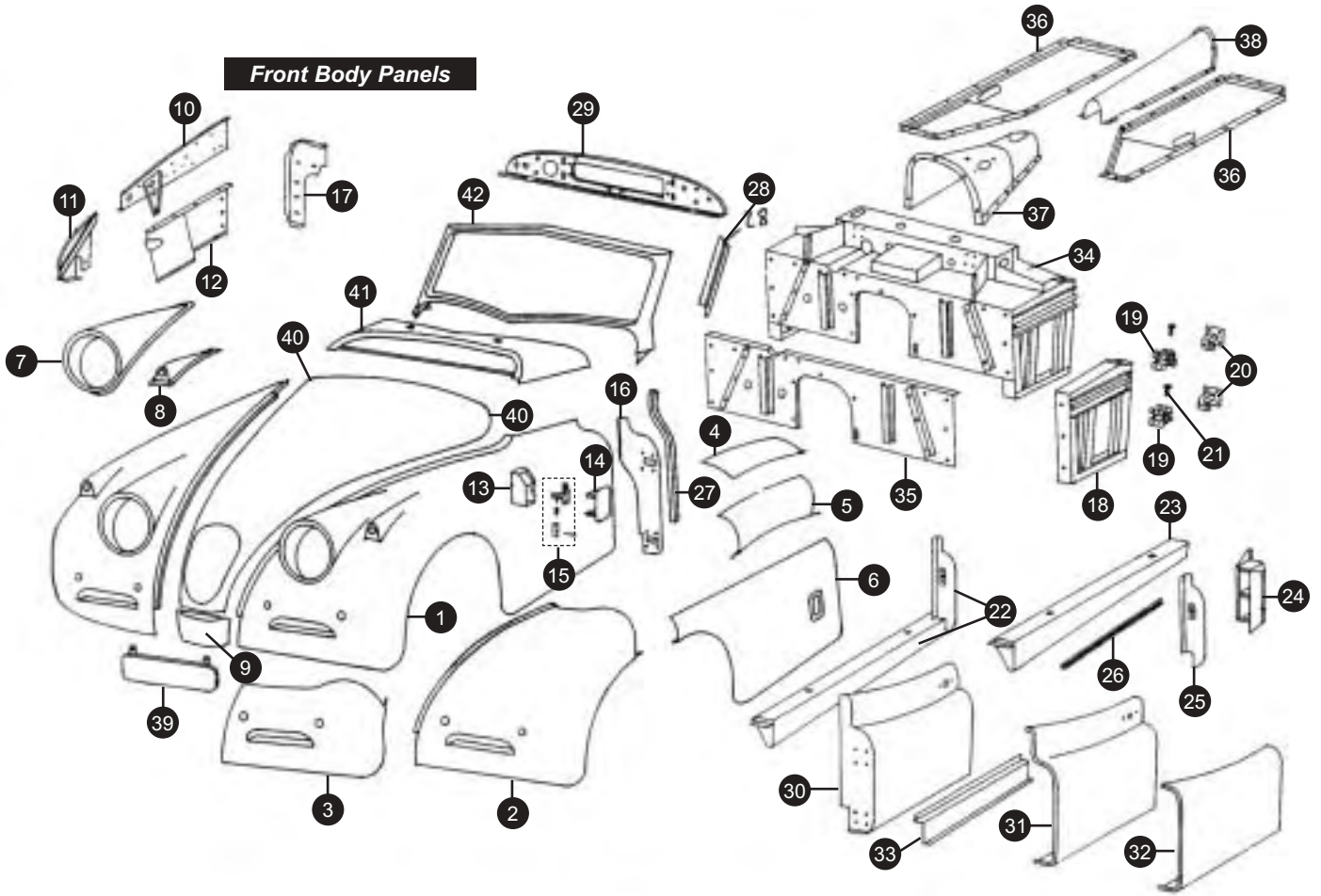


XK120 Body Panels

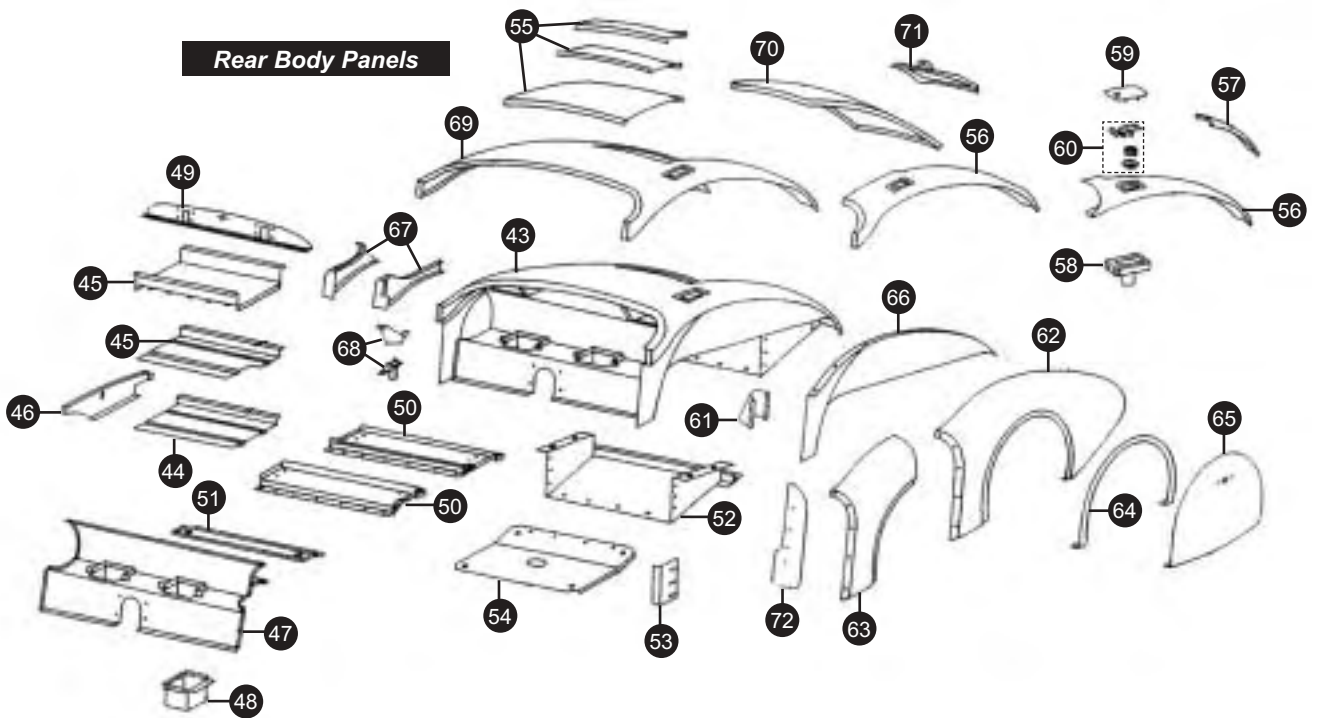
Buy on-line at www.sngbarratt.com



Front Body Panels



Rear Body Panels



The panels listed are for steel cars only. Please contact us for pricing on aluminium panelwork which is made to special order.

1. Front wing shell

OTS early cars up to ch no's 660674, 671096. (Cars without wing vents).

RH	BD8735	1
LH	BD8736	1

OTS late cars from ch no's 660768 671097

RH	BD8739	1
LH	BD8740	1

DHC	RH	BD8742	1
	LH	BD8741	1

FHC (Supplied without headlamp pods)

RH	BD7902	1
LH	BD7903	1

2. Front half of wing

RH	BD8739/ARH	1
LH	BD8740/ALH	1

3. Front quarter of wing

RH	BD8739/BRH	1
LH	BD8740/BLH	1

4. Sidelamp repair panel

BD8739/C	2
----------	---

5. Front wing centre

RH	BD8739/DRH	1
LH	BD8739/DLH	1

6. Rear half of wing (cars without wing vents).

OTS early cars up to ch no's 660674, 671096

RH	BD8735/ARH	1
LH	BD8735/ALH	1

All late cars from ch no's 660675, 671097

RH	BD8739/ARH	1
LH	BD8740/ALH	1

DHC/FHC	RH	BD8742/ARH	1
	LH	BD8742/ALH	1

7. Headlamp pod	RH	BD8698	1
	LH	BD8697	1

8. Sidelamp pod

OTS EARLY up to ch no's 661024, 672926

Chromed	C2811	2
---------	-------	---

All other models	C7284	2
------------------	-------	---

9. Wing fairing panel	BD2489	1
-----------------------	--------	---

10. Front wing upper valance

OTS	RH	BD4145	1
	LH	BD4144	1

DHC/FHC	RH	BD6134	1
	LH	BD4144	1

11. Forward wing valance

OTS	RH	BD4552	1
	LH	BD4551	1

DHC/FHC	RH	BD7951	1
	LH	BD4551	1

12. Inner wing mudshield

OTS	RH	BD4221	1
	LH	BD4220	1

DHC/FHC	RH	BD3019	1
	LH	BD6018	1

13. Vent box

OTS from ch no's 660675, 671097 & all DHC & FHC

RH	BD5185	1
LH	BD5184	1

14. Vent box door

OTS from ch no's 660675, 671097 & all DHC & FHC

BD5188	2
--------	---

15. Door operating mechanism

OTS from ch no's 660675, 671097 & all DHC & FHC

BD5184/A	2 kits
----------	--------

16. Door hinge face panel

OTS	RH	BD5029R	1
	LH	BD2028R	1

DHC	RH	BD5029	1
	LH	BD5028	1

FHC	RH	BD5029F	1
	LH	BD5028F	1

17. Front wing splash panels

OTS	RH	BD4554	1
	LH	BD4553	1

DHC & FHC	RH	BD4219	1
	LH	BD4218	1

18. Dash side structure

OTS	RH	BD4121	1
	LH	BD4120	1

DHC & FHC	BD5002	2
-----------	--------	---

19. Door hinge box

OTS	BD4791/A	4
DHC & FHC	BD5603	4

20. Door hinge arm

OTS	BD4157	4
DHC & FHC	BD5015	4



XK120 Body Panels

Buy on-line at www.sngbarratt.com

21. Door hinge pin repair		BF1077	4	DHC	RH	BD8030/ARH	1
22. Door sill shut assembly (Supplied as complete assembly: sill, shut pillar and shut face)					LH	BD8029/ALH	1
OTS	RH	BD4102	1	FHC	RH	BD5041/ARH	1
	LH	BD4101	1		LH	BD5040/ALH	1
DHC & FHC	RH	BD5747	1	32. Door skin repair			
	LH	BD5746	1	OTS	RH	BD4195/BRH	1
					LH	BD4194/BLH	1
23. Door sill				DHC	RH	BD8030/BRH	1
OTS	RH	BD4102/ARH	1		LH	BD8029/BLH	1
	LH	BD4101/ALH	1	FHC	RH	BD5041/BRH	1
DHC & FHC	RH	BD5744/ARH	1		LH	BD5040/BLH	1
	LH	BD5746/ALH	1	33. Inner door repair			
24. Shut pillar				OTS	RH	BD4195/CRH	1
OTS	RH	BD2788	1		LH	BD4194/CLH	1
	LH	BD8787	1	DHC	RH	BD8030/CRH x 1 RH	
DHC/FHC	RH	BD5747/BRH	1		LH	BD8029/CLH x 1 LH	
	LH	BD5746/BLH	1	FHC	RH	BD5041/CRH x 1 RH	
25. Shut face panel					LH	BD5040/CLH x 1 LH	
OTS	RH	BD4115	1	34. Bulkhead assembly			
	LH	BD4114	1	OTS	RHD	BD4776	1
DHC	RH	BD7991	1		LHD	BD4791	1
	LH	BD7990	1	(Includes provision for heater)			
FHC	RH	BD5027	1	DHC & FHC	RHD	BD5001	1
	LH	BD2026	1		LHD	BD5000	1
26. Sill seal retainer		BD10158	2	35. Bulkhead repair panel			
(Trimming required for certain applications)				OTS	RHD	BD4776/A	1
27. 'A' Post seal retainer					LHD	BD4791/A	1
OTS		BD2045/R120	1pr	DHC & FHC	RHD	BD5001/A	1
DHC & FHC		BD5091/92	1pr			BD5000/A	1
28. Screen pillar seal retainer				36. Floor assembly			
DHC		BD8058	1pr	OTS RHD	RH	BD4269	1
FHC		6049/50	1pr	(wooden)	LH	BD4268	1
29. Dash panel				OTS LHD	RH	BD4267	1
OTS	RHD	BD4634	1	(wooden)	LH	BD4266	1
	LHD	BD4606	1	DHC & FHC RHD	RH	BD6081	1
30. Door assembly					LH	BD6082	1
OTS	RH	BD4195	1	DHC & FHC LHD	RH	BD6079	1
	LH	BD4194	1		LH	BD6080	1
DHC	RH	BD8030	1	37. Gearbox tunnel			
	LH	BD8029	1	OTS		BD4078	1
FHC	RH	BD5041	1	DHC & FHC		BD6256	1
	LH	BD5040	1	38. Propshaft tunnel			
31. Door skin				OTS		BD3871	1
OTS	RH	BD4195/ARH	1	DHC & FHC		BD6118	1
	LH	BD4194/ALH	1				



XK120 Body PanelsBuy on-line at www.sngbarratt.com**39. Front number plate panel**

Most markets	C3236	1
USA market	C4182	1

40. Bonnet assembly

	BD4412	1
--	--------	---

41. Scuttle top panel

OTS	RHD	BD4097	1
	LHD	BD4122	1

DHC & FHC	RHD	BD6004	1
	LHD	BD5099	1

42. Screen surround

DHC	BD7948	1
-----	--------	---

43. Rear end assembly

OTS	BD10514	1
DHC	BD8023	1
FHC	BD5093	1

44. Side curtain tray

OTS	BD10514/A	1
-----	-----------	---

45. Parcel shelf	DHC	BD6769	1
	FHC	BD5093/A	1

46. Tonneau support

OTS	RH	BD10514/CRH	1
	LH	BD10514/CLH	1

DHC	RH	BD6769/ARH	1
	LH	BD6769/RLH	1

FHC	RH	BD5093/CLH	1
	LH	BD5093/CRH	1

47. Battery box assembly	BD4085	1
--------------------------	--------	---

48. Battery box	BD4085/A	2
-----------------	----------	---

49. Boot hinge panel

OTS	BD10514/B	1
DHC & FHC	BD4185	1

50. Boot floor	Disc wheels	BD4173	1
	Wire wheels	BD7760	1

51. Battery box to boot floor	BD4085/B	1
-------------------------------	----------	---

52. Spare wheel tray	Disc wheels	BD4173	1
	Wire wheels	BD7760	1

53. Closing panels	BD4191/92	1pr
--------------------	-----------	-----

54. Fuel tank tray	C4198	1
--------------------	-------	---

55. Upper tonneau panel

OTS	BD2476/A	1
DHC	BD8723/A	1
FHC	BD5095/A	1

56. Tonneau side panel (Supplied without holes for rear lamps or bumpers)

OTS	RH	BD2476/BRH	1
	LH	BD2476/BLH	1
DHC	RH	BD8723/BRH	1
	LH	BD8723/BLH	1

FHC	RH	BD5095/BRH	1
	LH	BD5095/BLH	1

57. Side tonneau lower repair (approx 18" long)

	RH	BD2476/CRH	1
	LH	BD2476/CLH	1

58. Fuel filler box	BD4363	1
---------------------	--------	---

59. Fuel filler lid	BD4357	1
---------------------	--------	---

60. Hinge assembly	BD4358	1
--------------------	--------	---

61. Fuel filler hose cover	BD4184	1
----------------------------	--------	---

62. Rear wing

	RH Disc wheels	BD4313	1
	LH Disc wheels	BD4312	1

	RH Wire wheels	BD9459	1
	LH Wire wheels	BD9458	1

63. Rear wing repair

	RH	BD4313/A	1
	LH	BD4312/A	1

64. Wheel arch mouldings

(Wire wheel cars only)	BD7769/70	1pr
------------------------	-----------	-----

65. Wheel spat (Disc wheel cars only)

	RH	BD4450	1
	LH	BD4449	1

66. Inner rear wing

OTS & FHC	RH	BD4159	1
	LH	BD4158	1

DHC	RH	BD6708	1
	LH	BD6707	1

67. Rear quarter panel

DHC	RH	BD8023/ARH	1
	LH	BD8023/ALH	1

FHC	RH	BD5093/BRH	1
	LH	BD5093/BLH	1

68. Hood mounting bracket

OTS	RH	BD4729	1
	LH	BD4728	1

DHC	RH	BD8023/BRH	1
	LH	BD8023/BLH	1



XK120 Body Panels

Buy on-line at www.sngbarratt.com



69. Rear tonneau panel		
OTS	BD2476	1
DHC	BD8723	1
FHC	BD5095	1

70. Boot lid assembly		
Full assembly (comprises wooden frame and outer skin)	BD8256	1
Skin only	BD8256/A	1

71. Number plate mounting	BD5645	1
----------------------------------	--------	---

72. Rear wing splash plate		
RH	BD7750	1
LH	BD7751	1

(Panels not illustrated)

Front wing brace	BD3551/2	1pr
-------------------------	----------	-----

Front wing tie rod	BD4469	1
---------------------------	--------	---

Bonnet catch plates		
On bonnet	BD5106	1
Hook and mounting	BD2951	1
On body	BD2950	1

Bonnet hinges	BD4379	2
----------------------	--------	---

SOME OUTSTANDING VICTORIES AND ACHIEVEMENTS



THE FASTEST PRODUCTION SPORTS CAR IN THE WORLD

JAGUAR

XK SUPER SPORTS

Wants for details or Distribution for your area of: Birmingham, Chichester & Hove, London, Luton, Newport, Northwood, Los Angeles, Cal. Export Motors, The British Road Car Co., Ltd., 40 Park Avenue, New York 22, and at Jaguar Dealers, World Wide Franchise Dealers.



The distinction of its conventional lines...the luxury of its interior, done in soft leather upholstery, polished walnut wood, deep pile carpeting...the ever present challenge of breathing special stimulating vitality in the Jaguar engine...the safe comfort of a road-hugging side that says "...this car knows where it is going!"...all these are good reasons for wanting a Jaguar! The most important reason of all is... "Just because you want one!"



SPORTS GREEN

YOU own a

JAGUAR



MARK VII

Full range of parts, plus one of a kind...
Jaguar sales, parts and service are available throughout the United States, Jaguar dealers in Northern California are: Berkeley, Nevada British Cars; Berkeley, Kingston Motors, Ltd.; Fresno, British Motors; Los Angeles, Imported Cars, Inc.; Palm Springs, Continental Car Ltd.; Sacramento, Ford Motor Sales; San Francisco, British Motor Car Distributors, Ltd.; In Reno, Nevada, George L. Holland, Inc.; Salt Lake City, Utah, Foreign Motor Car Co.

CHARLES H. HORNBERG, JR.

9276 Sunset Blvd., Los Angeles, Importer West of the Mississippi

THE FINEST CAR OF ITS CLASS IN THE WORLD

Bracket mounting sills

OTS	BD4258	4
DHC & FHC	BD7723	4

Gearbox inspection cover	BD3777	1
---------------------------------	--------	---

Door hinge shims		
0.036"	BD4701/1	A/R
0.064"	BD4702/2	A/R

Boot lid hinge	BD4287	2
-----------------------	--------	---

Rear wing steady bars	BD4512/13	1pr
------------------------------	-----------	-----

Body to chassis mountings		
Round 0.625"	BD6626	A/R
Round 0.4062"	BD6635	A/R

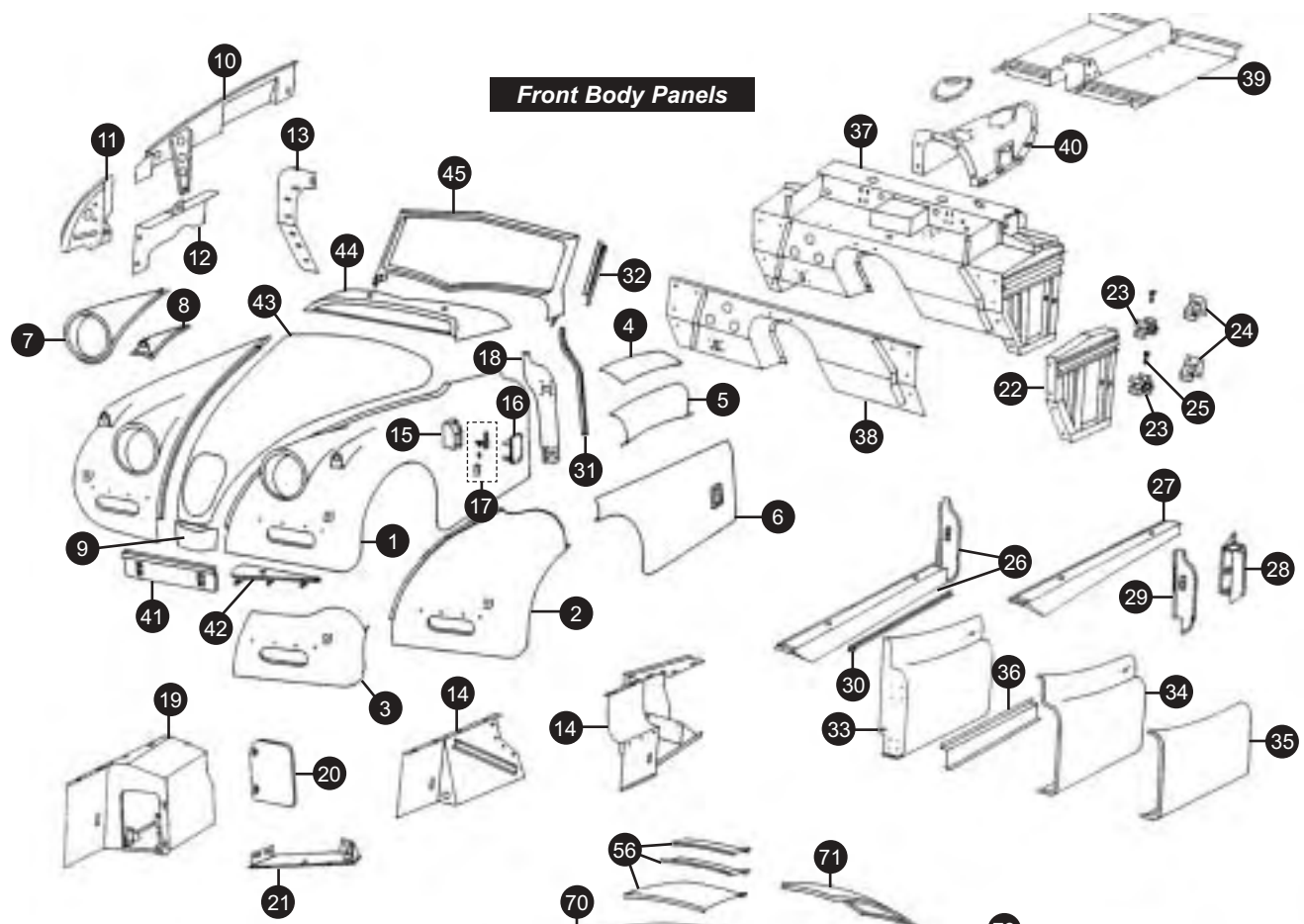
Square 0.125"	BD4548/1	A/R
Square 0.0625"	BD4548/2	A/R

Various other minor brackets etc. are always available. Please contact us with your requirements.



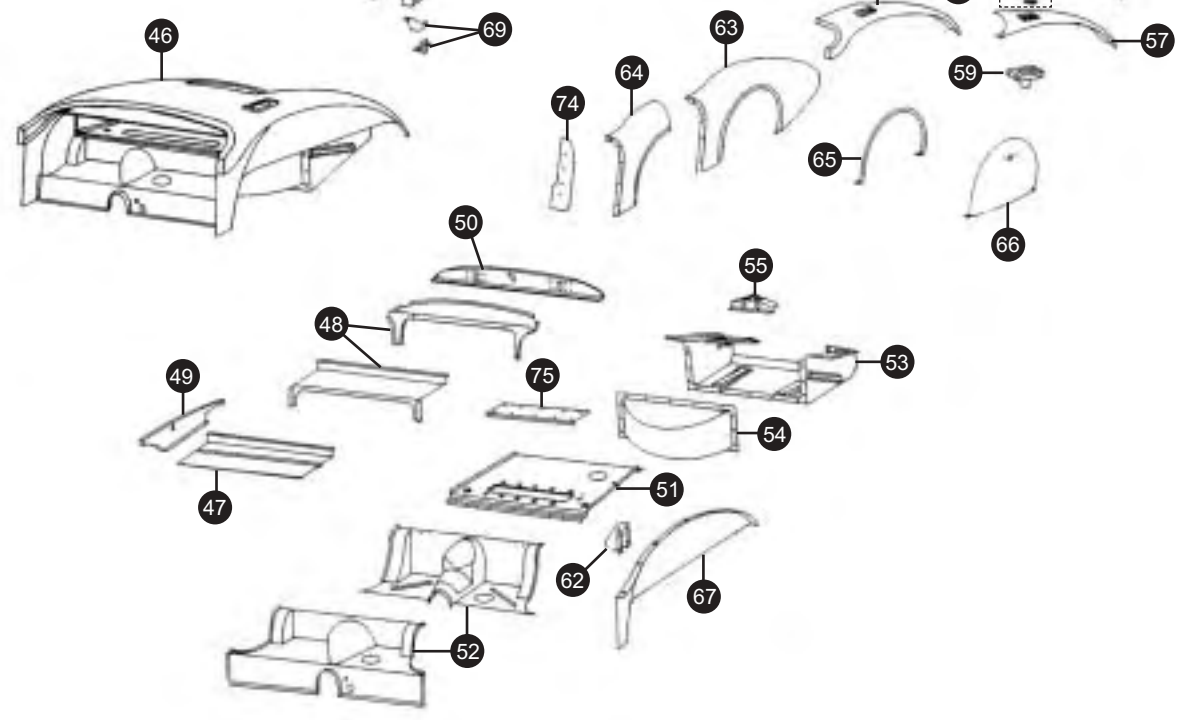
XK140 Body Panels

Buy on-line at www.sngbarratt.com



Front Body Panels

Rear Body Panels



+44 (0) 1746 765432
sales.uk@sngbarratt.com



+1 603 622 1050
sales.usa@sngbarratt.com



+33 3 85 201 420
sngbarratt.france@wanadoo.fr



+31 13 52 11 552
verkoop@sngbarratt.com



XK140 Body Panels

Buy on-line at www.sngbarratt.com**1. Front wing shell**

OTS	RH	BD8744	1
	LH	BD8743	1

DHC	RH	BD8746	1
	LH	BD8745	1

FHC	RH	BD9981	1
	LH	BD9980	1

(Supplied without headlamp or sidelamp pods)

2. Front half of wing

	RH	BD8744/ARH	1
	LH	BD8743/ALH	1

3. Front quarter of wing

	RH	BD8744/BRH	1
	LH	BD8743/BLH	1

4. Sidelamp repair panel

		BD8744/C	2
--	--	----------	---

5. Front wing centre

	RH	BD8744/DRH	1
	LH	BD8743/RLH	1

6. Rear half of wing

	RH	BD8744/ERH	1
	LH	BD8743/ELH	1

7. Headlamp pod

	RH	BD8698	1
	LH	BD8697	1

8. Sidelamp pod

		C7284	2
--	--	-------	---

9. Wing fairing panel

		BD2489	1
--	--	--------	---

10. Front wing upper valance

OTS & DHC	RH	BD8627	1
	LH	BD8626	1

FHC	RH	BD9985	1
	LH	BD9986	1

11. Forward wing valance

	RH	BD8330	1
	LH	BD8329	1

12. Distributor mud shield

	RH	BD10927	1
	LH	BD10927LH	1

(* Originally not fitted but recommended)

13. Front wing splash panel

OTS up to ch no's 800022, 811113

	RH	BD8402	1
	LH	BD8401	1

OTS from ch no's 800023, 811114

	RH	BD10570	1
	LH	BD10569	1

DHC up to ch no's 807051, 817274

	RH	BD8402	1
	LH	BD8401	1

DHC from ch no's 807052, 817275

	RH	BD10570	1
	LH	BD10569	1

FHC	RH	BD10080	1
	LH	BD10079	1

14. Inner wing mudshield

RHD	RH	BD8312	1
LHD	LH	BD8311	1

(RHD also has BD9127 Cover air cleaner)

15. Vent box

	RH	BD5184	1
	LH	BD5183	1

16. Vent box door

		BD5188	2
--	--	--------	---

17. Door operating mechanism

		BD5184/A	2 kit
--	--	----------	-------

18. Door hinge face panel

OTS	RH	BD8789	1
	LH	BD8785	1

DHC	RH	BD8334	1
	LH	BD8333	1

FHC	RH	BD10082	1
	LH	BD10081	1

19. Battery box

OTS & DHC			
RHD	LH	BD8570	1
LHD	RH	BD8571	1

FHC			
RHD	RH	BD10305	1
RHD	LH	BD10304	1
LHD	RH	BD10063	1
LHD	LH	BD10062	1

20. Battery box door

OTS & DHC			
RHD	LH	BD8572	1
LHD	RH	BD8573	1

FHC			
	RH	BD10071	1
	LH	BD10069	1

21. Battery box support

OTS & DHC			
RHD	LH	BD8568	1
RHD	RH	BD8569	1



XK140 Body Panels

Buy on-line at www.sngbarratt.com

FHC			
	RH	*BD10228	1
	RH	*BD9104	1

(* FHC has supports integral to box part numbers quoted are for brackets)

22. Dash side structure

OTS		BD8727	2
DHC		BD8512	2

FHC	RH	BD10020/ARH	1
	LH	BD10019/ALH	1

23. Door hinge box

OTS/DHC		C8727/C	4
FHC		BD10020/B	4

24. Door hinge arm

OTS		BD4157	4
DHC		BD5015	4
FHC		BD9902	4

25. Door hinge pin repair

		BF1077	4
--	--	--------	---

26. Door sill/shut assembly

OTS	RH	BD8904	1
	LH	BD8903	1

DHC	RH	BD8314	1
	LH	BD9313	1

FHC	RH	BD9908	1
	LH	BD9907	1

(Supplied as complete assembly:- sill, shut pillar & shut face)

27. Door sill

OTS & DHC	RH	BD8904/ARH	1
	LH	BD8903/ALH	1

FHC	RH	BD9908/ARH	1
	LH	BD8907/ALH	1

28. Shut pillar

OTS & DHC	RH	BD8904/BRH	1
	LH	BD8903/BLH	1

FHC	RH	BD9908/BRH	1
	LH	BD9907/BLH	1

29. Shut face panel

OTS	RH	BD8763	1
	LH	BD8762	1

DHC	RH	BD8372	1
	LH	BD8371	1

FHC	RH	BD10043	1
	LH	BD10042	1

30. Sill Seal Retainer

		BD10158	2
--	--	---------	---

(Trimming required for certain applications)

31. 'A' Post seal retainer

OTS		BD2045/R140	1pr
DHC & FHC		BD8443/44	1pr

32. Screen pillar seal retainer

DHC		BD8508	1pr
FHC		BD10144/45	1pr

33. Door assembly

OTS	RH	BD8791	1
	LH	BD8790	1

DHC	RH	BD11370	1
	LH	BD11369	1

FHC	RH	BD11372	1
	LH	BD11371	1

34. Door skin

OTS	RH	BD8793	1
	LH	BD8792	1

DHC	RH	BD5043	1
	LH	BD5042	1

FHC	RH	BD9874/1	1
	LH	BD9875/1	1

35. Door skin repair

OTS	RH	BD8791/BRH	1
	LH	BD8790/BLH	1

DHC	RH	BD11370/BRH	1
	LH	BD11369/BLH	1

FHC	RH	BD11372/BRH	1
	LH	BD11371/BLH	1

36. Inner door repair

OTS	RH	BD8803	1
	LH	BD8802	1

DHC	RH	BD8709	1
	LH	BD8708	1

FHC	RH	BD10029/9	1
	LH	BD10028/9	1

37. Bulkhead assembly

OTS	RHD	BD8767	1
	LHD	BD8766	1

DHC	RHD Manual	BD8318	1
	LHD Manual	BD8317	1
	RHD Auto	BD11105	1
	LHD Auto	BD11104	1

FHC	RHD Manual	BD9836	1
	LHD Manual	BD9783	1
	RHD Auto	BD10949	1
	LHD Auto	BD10948	1



+44 (0) 1746 765432
sales.uk@sngbarratt.com



+1 603 622 1050
sales.usa@sngbarratt.com



+33 3 85 201 420
sngbarratt.france@wanadoo.fr



+31 13 52 11 552
verkoop@sngbarratt.com



XK140 Body Panels

Buy on-line at www.sngbarratt.com**38. Bulkhead repair panel**

OTS	RHD	BD8321	1
	LHD	BD8320	1

DHC	RHD	BD8321	1
	LHD	BD8320	1

FHC	RHD	BD11053	1
	LHD	BD11052	1

39. Rear floor assembly

OTS	BD9563	1
DHC & FHC	BD9300	1

(See body fittings for front floors)

40. Gearbox tunnel

Manual transmission	BD9283	1
Auto transmission	BD10583	1

41. Front number plate panel	BD9856	1
-------------------------------------	--------	---

42. Front bumper plinths

RH	BD10249	1
LH	BD10248	1

(Supplied without fog lamp holes)

43. Bonnet assembly

OTS & DHC	BD9428	1
FHC	BD9773	1

44. Scuttle top panel

OTS	BD8782	1
DHC	BD9124	1
FHC	BD10368	1

45. Screen surround

DHC	BD8022	1
-----	--------	---

46. Rear end assembly

OTS	BD8787	1
DHC	BD9923	1
FHC	BD10083	1

47. Side curtain tray

OTS	BD8860	1
-----	--------	---

48. Parcel shelf

DHC	BD8928	1
FHC	BD10086	1

49. Tonneau support

OTS	RH	BD8787/CRH	1
	LH	BD8787/CLH	1

DHC	RH	BD8928/ARH	1
	LH	BD8928/ALH	1

FHC	RH	BD10086/ARH	1
	LH	BD10086/ALH	1

50. Boot hinge panel

OTS	BD8787/B	1
DHC	BD9923/A	1
FHC	BD10083/A	1

51. Boot floor

OTS	BD8839	1
DHC&FHC	BD9341	1

52. Rear seat panel

OTS	BD8787/A	1
DHC&FHC	BD8475/76	1

53. Spare wheel tray	BD9326	1
-----------------------------	--------	---

54. Spare wheel extension	BD9336	1
----------------------------------	--------	---

55. Spare wheel mounting bracket	BD9579	1
---	--------	---

56. Upper tonneau panel

OTS	BD9917	1
DHC	BD9919	1
FHC	BD9791	1

57. Tonneau side panel

OTS	RH	BD9918/ARH	1
	LH	BD9918/ALH	1

DHC	RH	BD9920/ARH	1
	LH	BD9920/ALH	1

FHC	RH	BD9791/ARH	1
	LH	BD9791/ALH	1

(Supplied without holes for rear lamps)

58. Side tonneau lower repair

	RH	BD9918/BRH	1
	LH	BD9918/BLH	1

(Repair is approx 18" long)

59. Fuel filler box	BD4363	1
----------------------------	--------	---

60. Fuel filler lid	BD4357	1
----------------------------	--------	---

61. Hinge assembly	BD4358	1
---------------------------	--------	---

62. Fuel filler hose cover	BD9625	1
-----------------------------------	--------	---

63. Rear wing

Disc wheel car	RH	BD9402	1
Disc wheel car	LH	BD9403	1
Wire wheel car	RH	BD9516	1
Wire wheel car	LH	BD9517	1

64. Rear wing repair

	RH	BD9517/ARH	1
	LH	BD9516/ALH	1

65. Wheel arch moulding	BD7769/70	1pr
--------------------------------	-----------	-----

66. Wheel spat	RH	BD4450	1
	LH	BD4449	1



67. Inner rear wing

OTS	RH	BD8906	1
	LH	BD8905	1
DHC	RH	BD8916	1
	LH	BD8915	1
FHC	RH	BD8455	1
	LH	BD8454	1

68. Rear quarter panel

DHC	RH	BD9923/BRH	1
	LH	BD9923/BLH	1
FHC	RH	BD10083/BRH	1
	LH	BD10083/BLH	1

69. Hood mounting bracket

OTS	RH	BD4728	1
	LH	BD4729	1
DHC	RH	BD9923/CRH	1
	LH	BD9923/CLH	1

70. Rear tonneau assembly

OTS		BD9918	1
DHC		BD9920	1
FHC		BD9790	1

71. Boot lid assembly

up to ch no's 800008, 810548, 807004, 817090, 804007, 814003	full assembly	BD10640	1
	skin only	BD10640/A	1

from ch no's 800009, 810549, 807005, 817091, 804008, 814004	full assembly	BD10584	1
	skin only	BD10640/A	1

(Assemblies comprise wooden frame and outer skin)

72. Lower tonneau		BD9344	1
73. Number plate mounting		BD9932	1

(Panels not illustrated)

Front wing brace		BD3551/2	1pr
-------------------------	--	----------	-----

Front wing tie rod		BD8403	1
---------------------------	--	--------	---

Front wing support	RH	BD8694	1
	LH	BD8693	1

Bracket for support	RH	BD8696	1
	LH	BD8695	1

Bonnet catch plates

Hook mounting	BD8432P	1
Hook only	BD8432	1
On body	BD2950	1
Body mounting	BD8428	1

Bonnet hinges

OTS & DHC manual	BD4379	2
DHC AUTO & FHC	BD10201	2

Gearbox inspection cover

All manual models	BD8279	1
All auto models (rubber)	BD10821	1

Door hinge shims

0.036"	BD4701/1	A/R
0.64"	BD4701/2	A/R

Boot lid hinge	BD4287	2
Rear wing steady bars	BD6194/95	1pr

Body to chassis mountings

Round	0.625"	BD6626	A/R
Round	0.4062"	BD6635	A/R

Square	0.125"	BD4548/1	A/R
Square	0.0625"	BD4548/2	A/R

Various other minor brackets etc. are always available. Please contact us with your requirements.

Spark Plugs that Perform **LIKE THIS** —

100.31 M.P.H. FOR 7 DAYS AND 7 NIGHTS

Will Make **YOUR CAR** Perform Better!

The Champion Spark Plug is the most advanced performance spark plug in the world. It's built to last, and it's built to perform. It's the only spark plug that's been tested for 7 days and 7 nights at 100.31 M.P.H. and still works like new. It's the only spark plug that's been tested for 7 days and 7 nights at 100.31 M.P.H. and still works like new. It's the only spark plug that's been tested for 7 days and 7 nights at 100.31 M.P.H. and still works like new.

Better by Far for EVERY CAR Regardless of Make or Year



+44 (0) 1746 765432
sales.uk@sngbarratt.com



+1 603 622 1050
sales.usa@sngbarratt.com



+33 3 85 201 420
sngbarratt.france@wanadoo.fr



+31 13 52 11 552
verkoop@sngbarratt.com

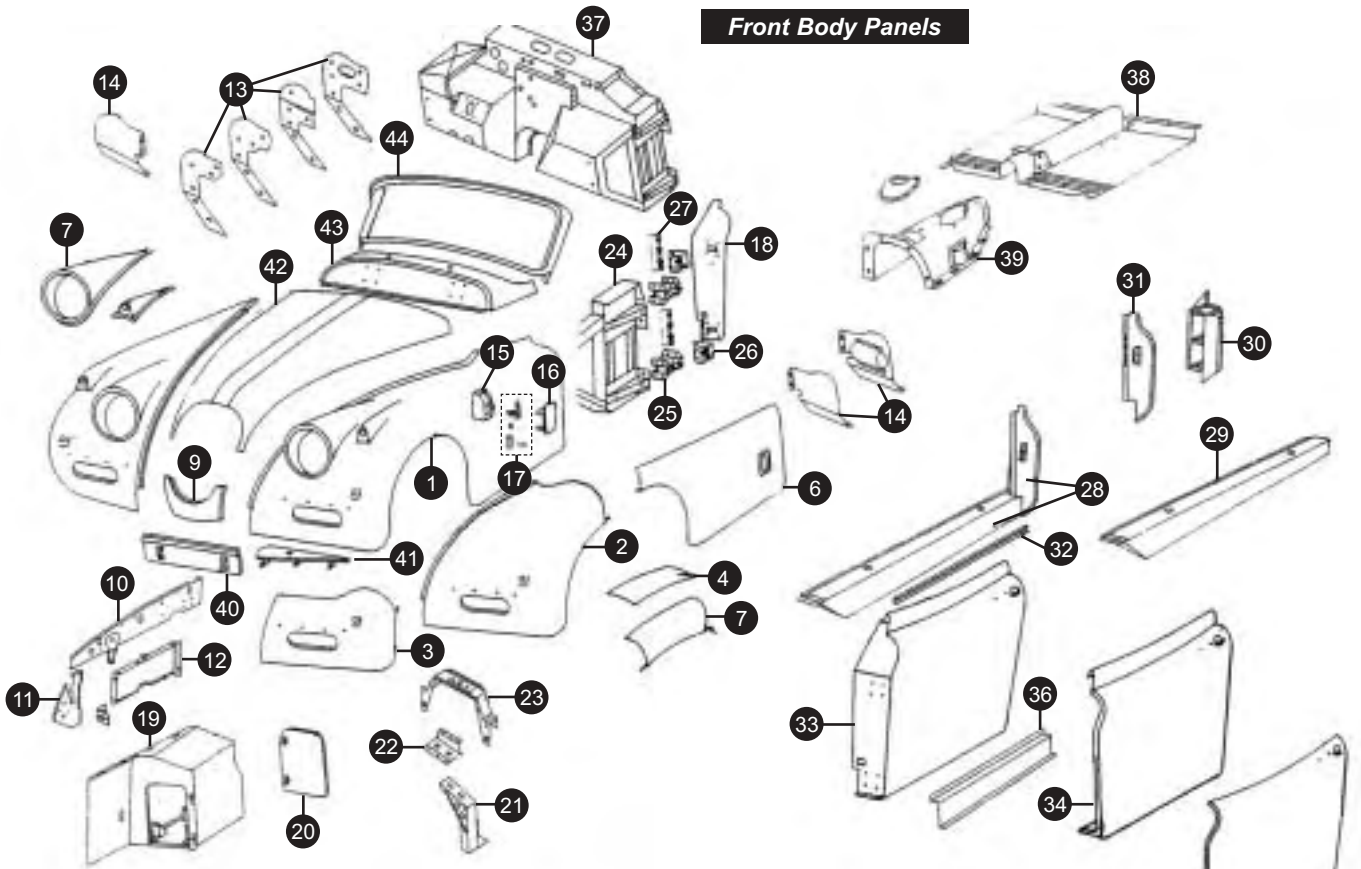


XK150 Body Panels

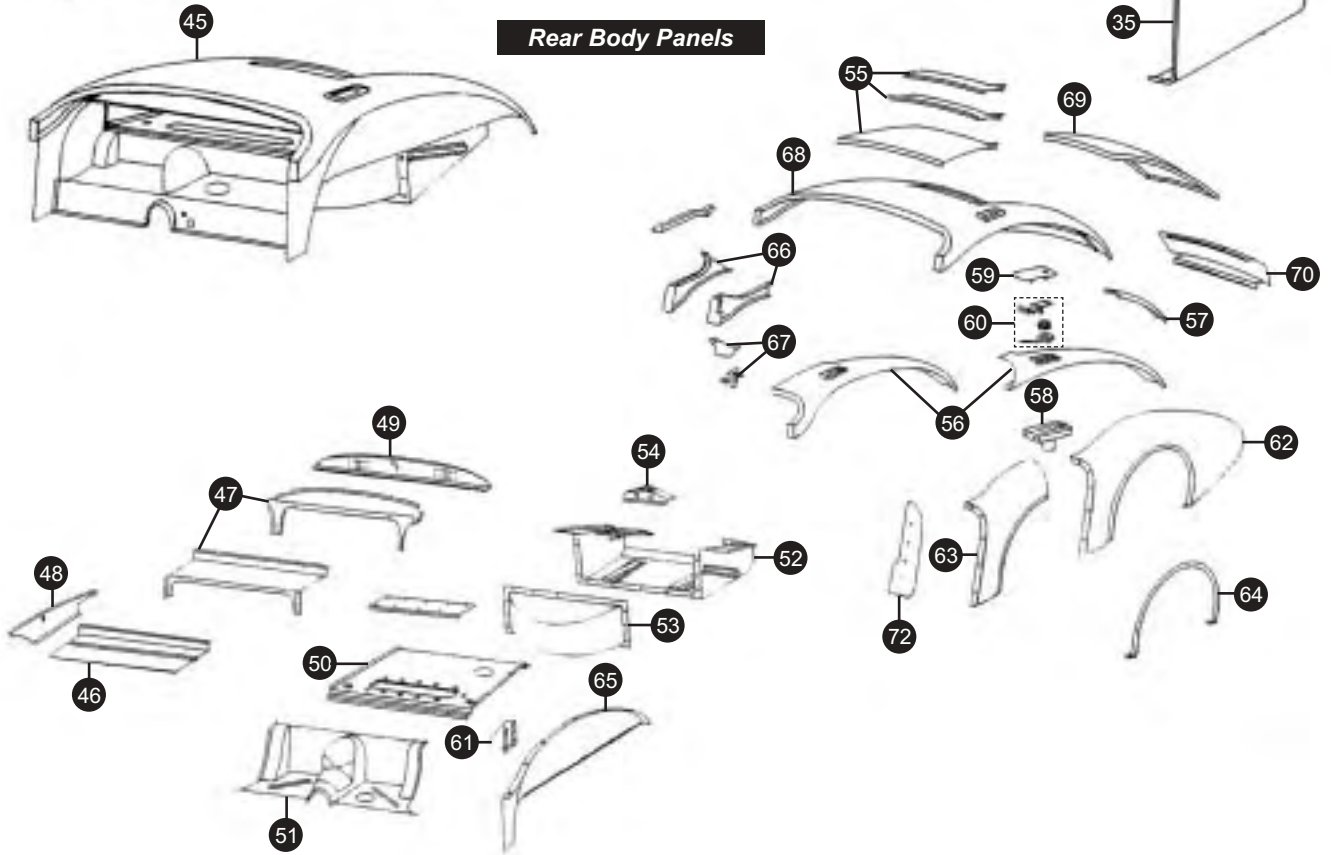
Buy on-line at www.sngbarratt.com



Front Body Panels



Rear Body Panels



This listing is for standard XK150 models only. For 'S' specification models please see the additional listing at the end of this section.

1. Front wing shell

up to ch no's 831139, 827193, 837627, 824584, 835718

RH	BD14974	1
LH	BD14972	1

from ch no's 820001, 831140, 827194, 837628, 824585, 835719

RH	BD14976	1
LH	BD14975	1

(Supplied without headlamp or sidelight pods)

2. Front half of wing

RH	BD14974/ARH	1
LH	BD14972/ALH	1

3. Front quarter of wing

RH	BD14974/BRH	1
LH	BD14972/BLH	1

4. Sidelamp repair panel

	BD14972/C	2
--	-----------	---

5. Front wing centre

RH	BD14974/DRH	1
LH	BD14972/DLH	1

6. Rear half of wing

up to ch no's 831139, 827193, 837627, 824584, 835718

RH	BD14974/ERH	1
LH	BD14972/ELH	1

from ch no's 820001, 831140, 827194, 837628, 824585, 835719

RH	BD14976/ARH	1
LH	BD14975/ALH	1

7. Headlamp pod

RH	BD8698	1
LH	BD8697	1

8. Sidelamp pod

	C7284	2
--	-------	---

9. Wing fairing panel

	BD12687	1
--	---------	---

10. Front wing upper valance (see also 'S' specification)

OTS LHD up to ch no 831139

RH	BD14169	1
LH	BD12631	1

OTS LHD from ch no 831140 & OTS RHD all models

RH	BD14169	1
LH	BD15311	1

DHC&FHC LHD up to ch no's 837157,834395

RH	BD12632	1
LH	BD12631	1

DHC RHD & LHD from ch no's 827001, 837158 to ch no's 827193, 837627

RH	BD14169	1
LH	BD12361	1

DHC from ch no's 827194, 837628

RH	BD14169	1
LH	BD15311	1

FHC LHD & RHD from ch no's 824001, 834001 to ch no's 824584, 835718

RH	BD14169	1
LH	BD12631	1

FHC from ch no's 824585, 835719

RH	BD14169	1
LH	BD15311	1

11. Forward wing valance

RH	BD13109	1
LH	BD13108	1

12. Distributor mudshield

RHD models

RH	BD14568	1
LH	BD13043	1

LHD models

RH	BD13044	1
LH	BD13043	1

13. Front wing splash panel (see also 'S' specification)

OTS LHD up to ch no 831139

RH	BD13384	1
LH	BD13383	1

OTS LHD from ch no 831140 & OTS RHD

RH	BD14227	1
LH	BD15121	1

DHC & FHC LHD up to ch no's 837157,834395

RH	BD13384	1
LH	BD13383	1

DHC LHD&RHD from ch no's 827001, 837158 to ch no's 827193, 837627

RH	BD14227	1
LH	BD15121	1

DHC from ch no's 827194, 837628

RH	BD14227	1
LH	BD15124	1

FHC RHD&LHD from ch no's 824001, 834001 to ch no's 824584, 835718

RH	BD13384	1
LH	BD13383	1

FHC from ch no's 824585, 835719

RH	BD14227	1
LH	BD15121	1

14. Battery box closing panel

All LHD models up to ch no's 831898,83794, 835934

RH	BD13318	1
LH	BD13317	1

All LHD models from ch no'S 831899,837941, 835935

RH	BD13318	1
LH	BD15728	1



XK150 Body Panels

Buy on-line at www.sngbarratt.com

All RHD models up to ch no 820016, 827271, 824741

RH	BD14356	1
LH	BD13317	1

All RHD models from ch no 820017, 827272, 824742

RH	BD14356	1
LH	BD15728	1

15. Vent box

All models up to ch no's 831139, 827193, 837627, 824584, 835718

RH	BD5184	1
LH	BD5183	1

All models from ch no's 820001, 831140, 827194, 837628, 824585, 835719

RH	BD14730	1
LH	BD14646	1

16. Vent box door

All models up to ch no's 831139, 827193, 837627, 824584, 835718

BD5188	2
--------	---

All models from ch no's 820001, 831140, 827194, 837628, 824585, 835719

BD14724	2
---------	---

17. Door operating mechanism

All models up to ch no's 831139, 827193, 837627, 824584, 835718

BD5184/A	2
----------	---

All models from ch no's 820001, 831140, 827194, 837628, 824585, 835719

BD14730/A	2
-----------	---

18. Door hinge face panel

OTS	RH	BD15574	1
	LH	BD15573	1

DHC & FHC	RH	BD14397	1
	LH	BD14396	1

19. Battery box (see also 'S' specification)

ALL RHD MODELS

	RH	BD12937	1
	LH	BD12936	1

OTS LHD	RH	BD15366	1
	LH	BD12934	1

DHC & FHC LHD up to ch no's 837422, 835558			
	RH	BD12935	1
	LH	BD12934	1

DHC&FHC LHD from ch no 837423, 835559			
	RH	BD15366	1
	LH	BD12934	1

20. Battery box door

	RH	BD12980	1
	LH	BD12979	1

21. Front wing support

OTS	RH	BD12774	1
	LH	BD12773	1

DHC&FHC	RH	BD12759	1
	LH	BD12758	1

22. Bracket for support

	RH	BD12274	1
	LH	BD12273	1

23. Bonnet catch mounting bracket		BD12838	1
--	--	---------	---

24. Dash side structure

OTS LHD up to ch no 831139

	RH	BD14452/ARH	1
	LH	BD14452/ALH	1

OTS LHD from ch no 831140 & ALL OTS RHD

	RH	BD16850/ARH	1
	LH	BD16850/ALH	1

DHC & FHC up to ch no's 827193, 837627, 824584, 835718

	RH	BD14165/ARH	1
	LH	BD14165/ALH	1

DHC & FHC from ch no's 827194, 837628, 824585, 835719

	RH	BD16846/ARH	1
	LH	BD16846/ALH	1

25. Door hinge box

	RH	BD14452/BRH	2
	LH	BD14452/BLH	2

26. Door hinge		BD15570	4
-----------------------	--	---------	---

27. Door hinge pin repair		BF1077	4
----------------------------------	--	--------	---

28. Door sill/shut assembly

OTS	RH	BD14558/ARH	1
	LH	BD14558/ALH	1

DHC	RH	BD13562/ARH	1
	LH	BD13561/ALH	1

FHC	RH	BD12505/ARH	1
	LH	BD12504/ALH	1

29. Door sill	RH	BD14097	1
	LH	BD14096	1

30. Shut pillar	RH	BD12727	1
	LH	BD12726	1

31. Shut face panel

OTS	RH	BD14559	1
	LH	BD14558	1

DHC	RH	BD13562	1
	LH	BD13561	1

FHC	RH	BD12505	1
	LH	BD12504	1

32. Sill seal retainer		BD10158	2
-------------------------------	--	---------	---

(Trimming required for certain applications)



33. Door assembly

OTS	RH	BD15582	1
	LH	BD15581	1
DHC&FHC	RH	BD15563	1
	LH	BD15562	1

34. Door skin

OTS	RH	BD15582/ARH	1
	LH	BD15581/ALH	1
DHC&FHC	RH	BD15563/ARH	1
	LH	BD15562/ALH	1

35. Door skin repair

OTS	RH	BD15582/BRH	1
	LH	BD15581/BLH	1
DHC/FHC	RH	BD15563/BRH	1
		BD15562/BLH x 1 LH	

36. Inner door repair

RH	BD12525	1
LH	BD12524	1

37. Bulkhead assembly

OTS LHD up to ch no 831139	BD14452	1
OTS LHD from ch no 831140	BD14456	1
OTS RHD	BD16851	1
DHC&FHC LHD up to ch no's 838271,836232	BD14261	1
DHC&FHC LHD from ch no's 838272,836233	BD16846	1

DHC&FHC RHD up to ch no's 827372,824904	BD14262	1
---	---------	---

DHC&FHC RHD from ch no's 827373,824905	BD16847	1
--	---------	---

38. Rear floor assembly	BD9300	1
--------------------------------	--------	---

39. Gearbox tunnel

All manual models (May need modification for electric overdrive cars)	BD16044	1
--	---------	---

All automatic models	BD12523	1
----------------------	---------	---

40. Front number plate panel	BD10982	1
-------------------------------------	---------	---

41. Front bumper plinths

RH	BD14839	1
LH	BD14838	1

(Supplied without fog lamp holes)

42. Bonnet assembly

OTS	BD15313	1
DHC&FHC	BD15379	1

43. Scuttle top panel

OTS	BD13784/A	1
DHC & FHC	BD19916/A	1

44. Screen surround

OTS	BD13784	1
DHC/FHC	BD19916/A	1

45. Rear end assembly

OTS up to ch no 831139	BD14569	1
OTS from ch no 820001, 831140	BD15807	1
DHC up to ch no's 827194, 837627	BD13052	1
DHC from ch no's 827195, 8376289	BD15804	1
FHC up to ch no's 824584, 835718	BD14487	1
FHC from ch no's 824585, 835719	BD15801	1

46. Tonneau tray

OTS	BD16725	1
-----	---------	---

47. Parcel tray

DHC & FHC up to ch no's 824676, 835892, 827239, 837845	BD8928	1
DHC&FHC from ch no's 824677, 835893, 827240, 837845	BD16043	1

48. Tonneau support

OTS	LH	BD14887	1
	RH	BD14888	1

49. Boot hinge panel

Up to ch no's 820018, 831909, 827348, 838237, 824862, 836183	BD12503	1
--	---------	---

From ch no's 820019, 831910, 827349, 838238, 824763, 838239
BD16963 1
(Early cars using sprung boot prop, later cars using sprung boot lid hinges)

50. Boot floor	BD13932	1
-----------------------	---------	---

51. Rear seat panel	BD19843	1
----------------------------	---------	---

52. Spare wheel tray	BD9326	1
-----------------------------	--------	---

53. Spare wheel extension	BD9336	1
----------------------------------	--------	---

54. Spare wheel mounting bracket	BD9579	1
---	--------	---

55. Upper tonneau panel

OTS	BD14681 x 1
DHC	BD13054 x 1
FHC	BD12593 x 1



XK150 Body Panels

Buy on-line at www.sngbarratt.com



56. Tonneau side panel			
OTS	RH	BD14002	1
		BD14001	1

DHC	RH	BD13494	1
	LH	BD13493	1

FHC	RH	BD12667	1
	LH	BD12666	1

(Supplied without holes for rear lamps)

57. Side tonneau lower repair			
	RH	BD14002/ARH	1
	LH	BD14001/ALH	1

(Repair is approximately 18" long)

58. Fuel filler box			
Up to ch no's 830559, 827194, 837628, 824584, 835718		BD4363	1

(Later models not available at time of print)

59. Fuel filler lid			
Up to ch no's 830559, 827194, 837628, 824584, 835718		BD4357	1

From ch no's 820001, 830560, 827195, 837629, 824585, 835719		BD15743	1
---	--	---------	---

60. Hinge assembly			
Up to ch no's 830559, 827194, 837628, 824585, 835719			

(Later models integral to lid)		BD4358	1
--------------------------------	--	--------	---

61. Fuel filler hose cover			
Up to ch no's 830559, 827194, 837628, 824584, 835718		BD12800	1

All models from ch no's 820001, 830560, 827195, 837629, 824585, 835719		BD15811	1
--	--	---------	---

62. Rear wing	RH	BD13379	1
	LH	BD13380	1

(Supplied for cars equipped with wire wheels)

63. Rear wing repair			
	RH	BD13379/ARH	1
	LH	BD13380/ALH	1

64. Wheelarch moulding		BD7769/70	1pr
-------------------------------	--	-----------	-----

65. Inner rear wing	RH	BD12656	1
	LH	BD12655	1

66. Rear quarter panel			
DHC	RH	BD13508	1
	LH	BD13507	1

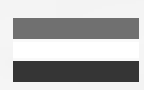
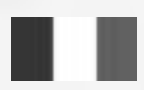
FHC	RH (Outer)	BD12549/ARH	1
	LH (Outer)	BD12549/ALH	1
	RH (Inner)	BD13956	1
	LH (Inner)	BD13955	1

JAGUAR XK-120
rides on
DUNLOP TIRES

A sleek, powerful Jaguar XK120 like the one shown in the picture is the world's greatest low speed roadster of 1950 in its price.

High performance Dunlop tires are the only tires that give you the high speed, low speed performance of a roadster. The XK120 is the only car in the world's history ever equipped with Dunlop tires.

The way you feel and experience the XK120 is the way you feel and experience the world's greatest low speed roadster. The XK120 is the only car in the world's history ever equipped with Dunlop tires. The way you feel and experience the XK120 is the way you feel and experience the world's greatest low speed roadster.



XK150 Body Panels

Buy on-line at www.sngbarratt.com**67. Hood mounting bracket**

OTS	RH	BD15807/ARH	1
	LH	BD15807/ALH	1

DHC	RH	BD13052/BRH	1
	LH	BD13052/BLH	1

68. Rear tonneau assembly

OTS up to ch no's 831139	BD14570	1
--------------------------	---------	---

OTS from ch no's 820001, 831140	BD15809	1
---------------------------------	---------	---

DHC up to ch no's 827194, 837627	BD13053	1
----------------------------------	---------	---

DHC from ch no's 827195, 8376289	BD15806	1
----------------------------------	---------	---

FHC up to ch no's 824584, 835718	BD12502	1
----------------------------------	---------	---

FHC from ch no's 824585, 835719	BD15803	1
---------------------------------	---------	---

69. Boot lid assembly

(Currently not available at time of print)

70. Lower tonneau	BD12886	1
--------------------------	---------	---

(Panels not illustrated)**Bonnet hinges**

OTS up to ch no 831139	BD14446	2
------------------------	---------	---

OTS from ch no's 820001, 831140			
	RH	BD14446	1
	LH	BD15340	1

DHC & FHC up to ch no's 827193, 837627, 824584, 835718	BD12750	2
--	---------	---

DHC & FHC from ch no's 827194, 837627, 824585, 835719	BD14882	2
---	---------	---

Forward inner wing valance	BD13110	1
-----------------------------------	---------	---

Gearbox inspection cover

All manual models	BD8279	1
All auto models (rubber)	C10821	1

Door hinge shims 0.036"	BD16155/1	A/R
0.64"	BD16155/2	A/R

Boot lid hinge

Up to ch no's 820018, 831909, 827348, 838237, 824862, 836183			
	RH	BD17734	1
	LH	BD17733	1

From ch no's 820019, 831910, 827349, 838238, 824763, 838239			
	RH	BD16246	1
	LH	BD16245	1

(Early cars using sprung boot prop, later cars using sprung boot lid hinges)

Rear wing steady bars	BD6194/95	1pr
------------------------------	-----------	-----

Body to chassis mountings

Round	0.625"	BD6626	A/R
Round	0.4062"	BD6635	A/R

Square	0.125"	BD4548/1	A/R
Square	0.0625"	BD4548/2	A/R

Various other minor brackets etc. are always available. Please contact us with your requirements.**"S" Specification models****10. Front wing upper valance**

RH	BD14329	1
LH	BD15311	1

13. Front wing splash panel

RH	BD14567	1
LH	BD15121	1

19. Battery box

All RHD cars	RH	BD14359	1
	LH	BD12936	1

All RHD cars	RH	BD14360	1
	LH	BD12934	1

Air cleaner housing	BD15392	1
----------------------------	---------	---



Jaguar

again makes motoring history!

THE FASTEST SPEED EVER
RECORDED BY A PRODUCTION CAR

★ **132.6 m.p.h.**

On May 20th, 1948, an entirely standard Jaguar 1½ litre XK 150 Super Sports Car, running on pump petrol, was officially timed in attaining this speed over a flying mile. This achievement, observed and recorded by the Royal Automobile Club of Belgium on the Jubbela Alston Road, has gained for Jaguar a Belgian Speed Record and is the fastest speed ever recorded by a standard production car.

© Jaguar or Licensed Customers



+44 (0) 1746 765432
sales.uk@sngbarratt.com



+1 603 622 1050
sales.usa@sngbarratt.com



+33 3 85 201 420
sngbarratt.france@wanadoo.fr



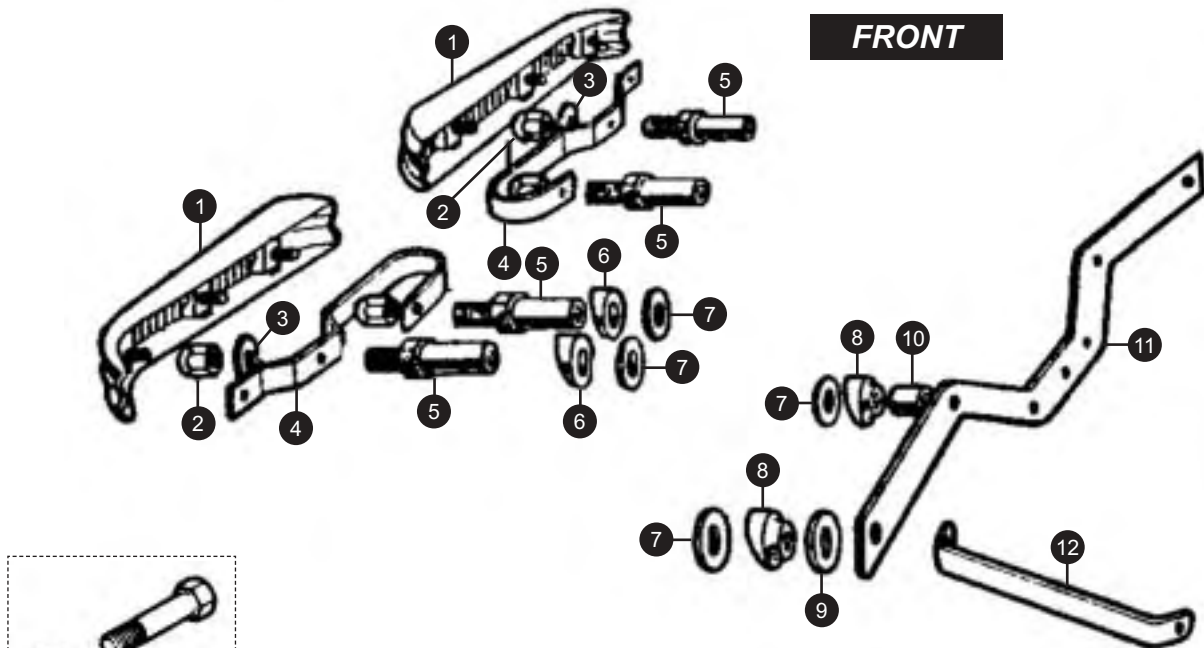
+31 13 52 11 552
verkoop@sngbarratt.com



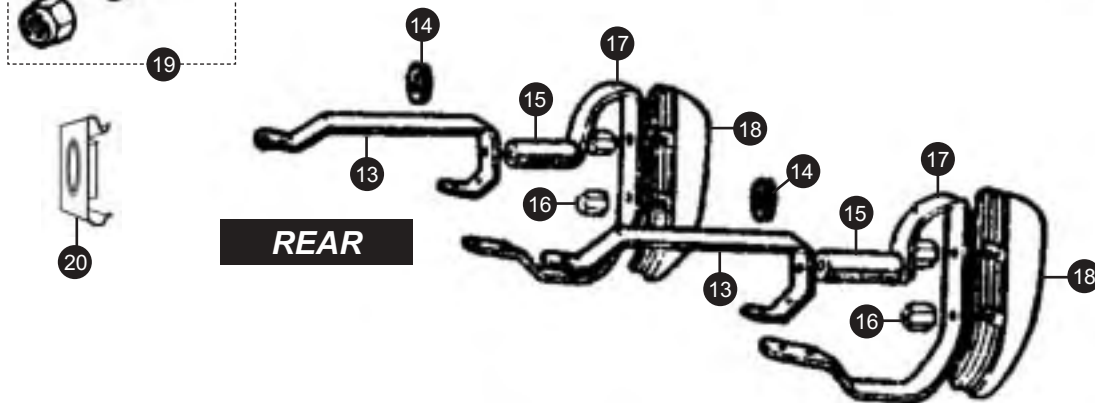
XK120 Bumpers

Buy on-line at www.sngbarratt.com

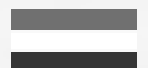
FRONT



REAR

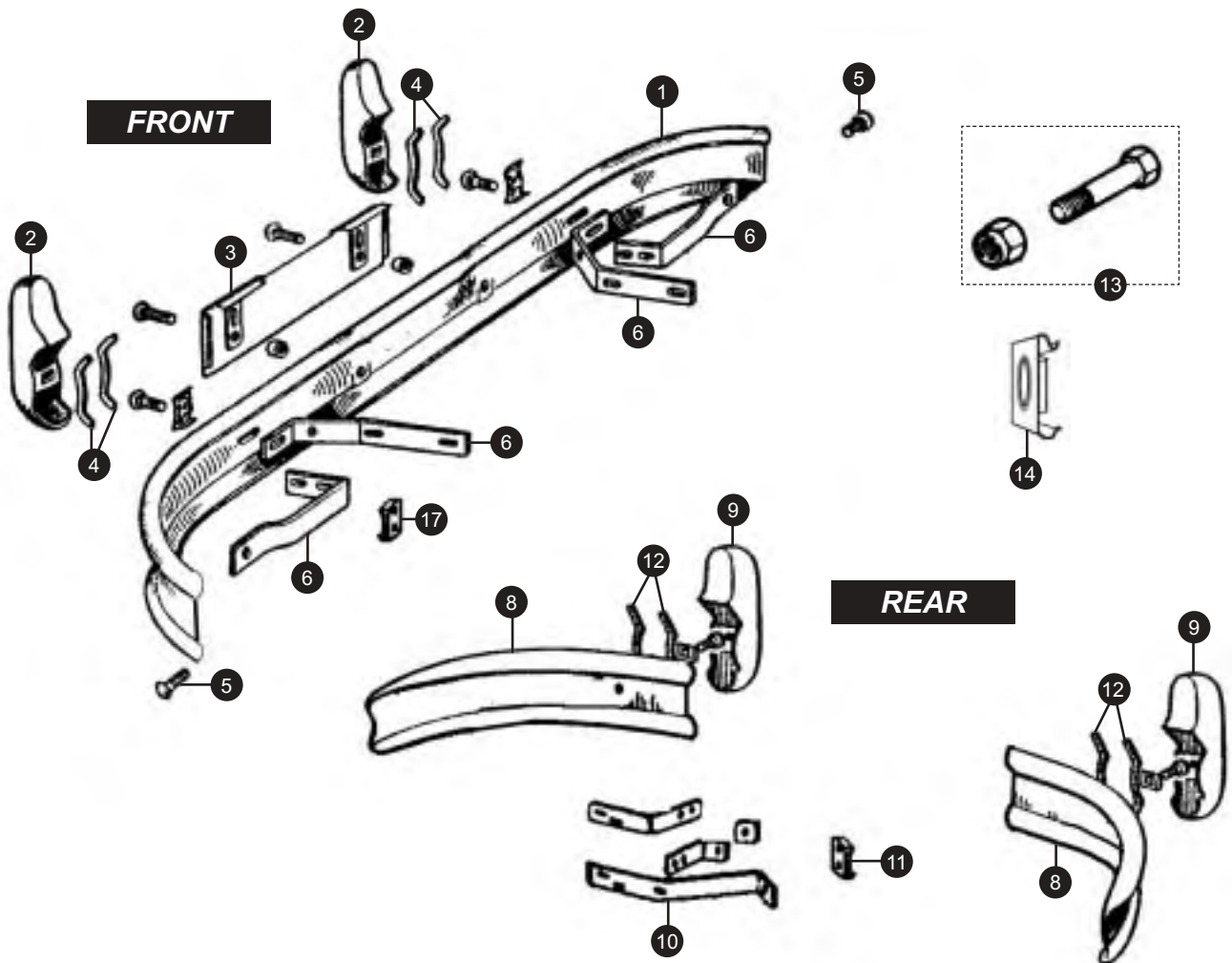


Front				Rear			
1. Bumper		BD2855	2	13. Overrider support bracket			
2. Dome nut		C5819	4		RH	BD7764	1
3. Washer		C741	4		LH	BD7763	1
4. Spring bar mounting		C3695	2	14. Grommet		C2869	2
5. Screwed extension		C3943	4	15. Distance piece		C3778	2
6. Spacer		C3945	4	16. Nut		C5829	4
7. Rubber washer		C3849	8	17. Overrider mounting spring bar		C5807	2
8. Wing clamping washer		C3225	4	18. Rear overrider	RH	BD2856/1	1
9. Washer		C793	8		LH	BD2856/2	1
10. Distance piece		C3830	2	19. Bumper bolt kits	Front	BBK5	1
11. Bumper support member		C3831	1		Rear	BBK6	1
12. Bumper strut	RH	C3832	1	20. Clip-in captive nut		BD11006	A/R
	LH	C3833	1				



XK140 Bumpers

Buy on-line at www.sngbarratt.com



Front

1. Front bumper bar		C9751	1
2. Front overrider		C9756	2
3. Number plate panel		BD9856	1
4. Overrider bead set		209K	1
5. Chrome bumper bolt		BD9871	2
6. Front mounting iron			
Outer	RH	C9752	1
	LH	C9753	1
Inner	RH	C9754	1
	LH	C9755	1
7. Front mounting iron spacer		BD9874	2

Rear

8. Rear bumper			
	RH	C8897	1
	LH	C8896	1
9. Rear overrider			
	RH	BD16188	1
	LH	BD16187	1
10. Rear mounting iron			
Outer	RH	C8342	1
	LH	C8587	1
Inner	RH	C8341	1
	LH	C8586	1
Centre	RH	C8343	1
	LH	C8588	1
11. Spacers			
		C8344	2
		C8347	2
12. Overrider bead set		209K	
13. Bumper bolt kit			
	Front	BBK7	1
	Rear	BBK8	1
14. Clip-in captive nut		BD11006	A/R



+44 (0) 1746 765432
sales.uk@sngbarratt.com



+1 603 622 1050
sales.usa@sngbarratt.com



+33 3 85 201 420
sngbarratt.france@wanadoo.fr

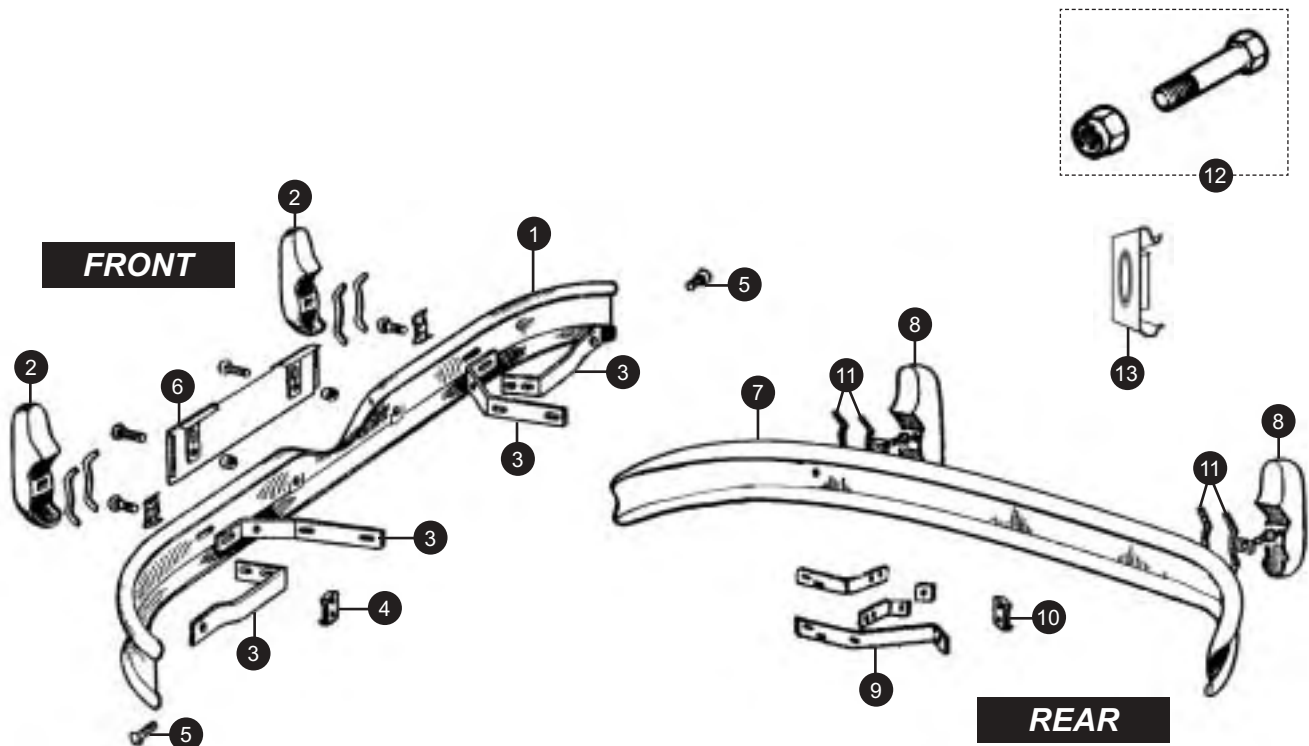


+31 13 52 11 552
verkoop@sngbarratt.com



XK150 Bumpers

Buy on-line at www.sngbarratt.com



Front

1. Front bumper bar		BD12945	1
2. Front overrider		C9756	2
3. Front mounting iron early			
Outer	RH	C9752	1
	LH	C9753	1
Inner	RH	C9754	1
	LH	C9755	1
Front mounting iron late			
Outer	RH	C13366	1
	LH	C13367	1
Inner	RH	C13368	1
	LH	C13369	1
4. Front mounting iron spacer		BD9874	2
5. Chrome bumper bolt		BD9871	2
6. Number plate panel		BD10982	

Rear

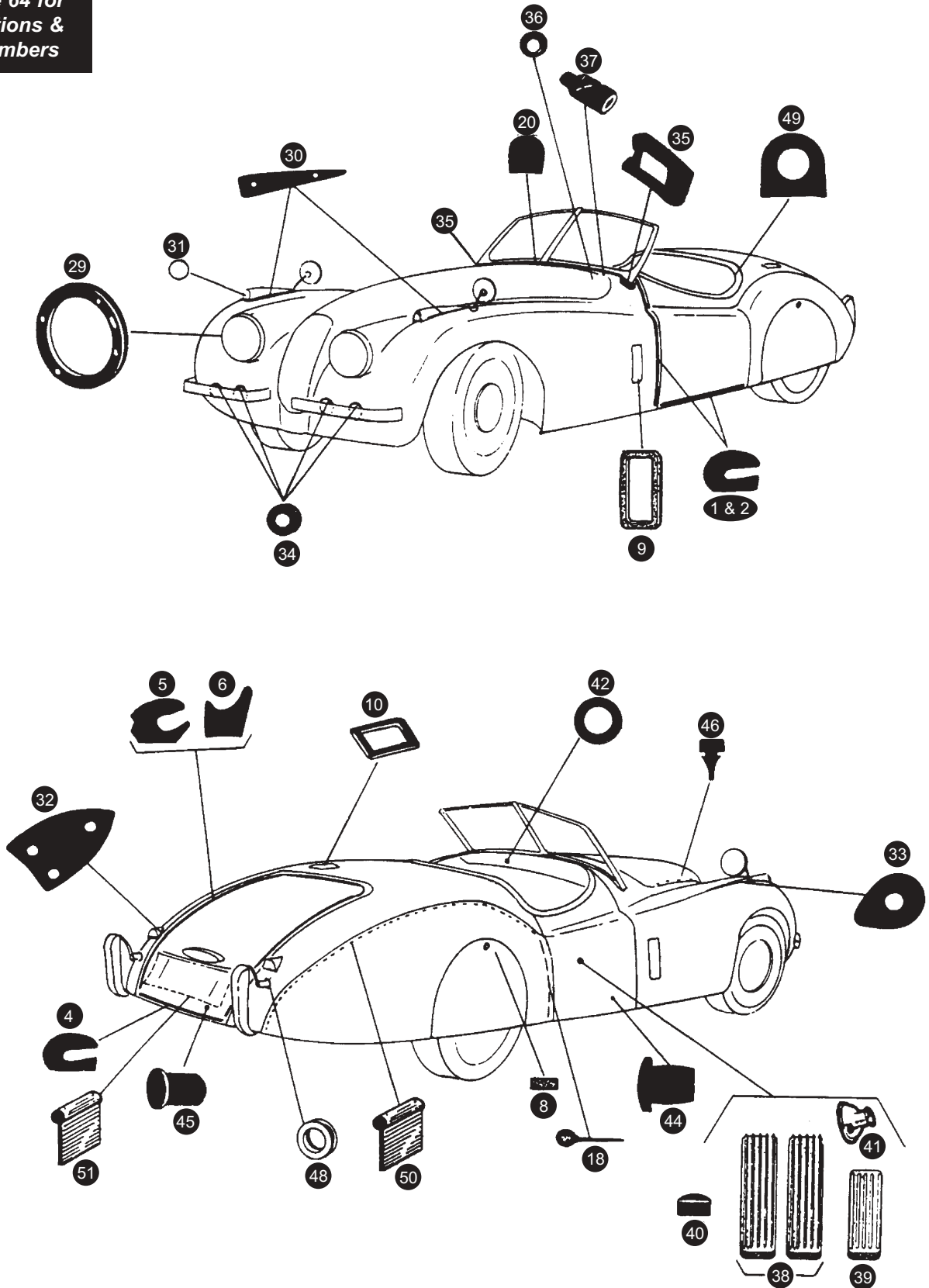
7. Rear bumper			
Early cars with single red rear lamps		BD12948	1
Later cars with red/amber rear lamps		BD15601	1
8. Rear overrider			
Early cars with single red rear lamps	RH	BD16188	1
	LH	BD16187	1
Later cars with red/amber rear lamps	RH	BD15592	1
	LH	BD15591	1
9. Rear mounting iron			
Outer	RH	C8342	1
	LH	C8587	1
Inner	RH	C8341	1
	LH	C8586	1
Centre	RH	C8343	1
	LH	C8588	1
10. Spacers		C8344	2
		C8347	2
11. Overrider bead set		209K	1
12. Bumper bolt kits	Front	BBK9	1
	Rear	BBK10	1
13. Clip-in captive nut		BD11006	A/R



XK120 Roadster Body Rubbers

Buy on-line at www.sngbarratt.com

Please see listing on page 64 for applications & part numbers



+44 (0) 1746 765432
sales.uk@sngbarratt.com



+1 603 622 1050
sales.usa@sngbarratt.com



+33 3 85 201 420
sngbarratt.france@wanadoo.fr



+31 13 52 11 552
verkoop@sngbarratt.com

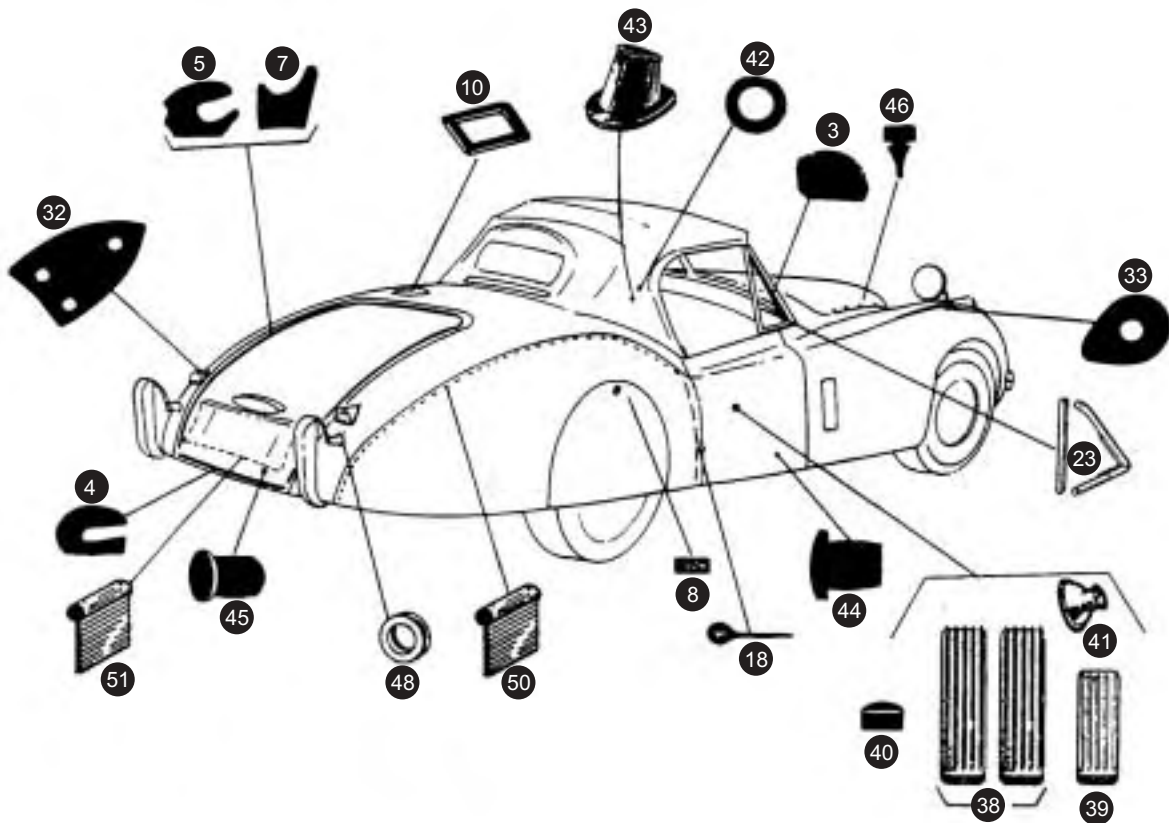
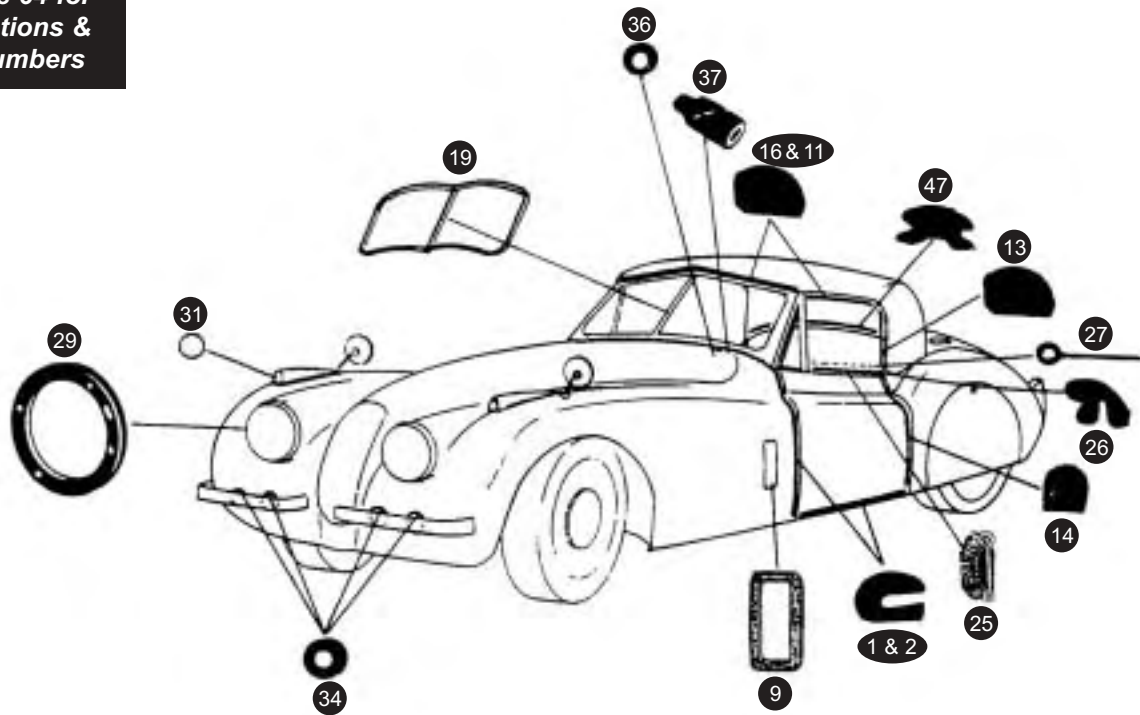


XK120 DHC Body Rubbers

Buy on-line at www.sngbarratt.com



Please see listing on page 64 for applications & part numbers

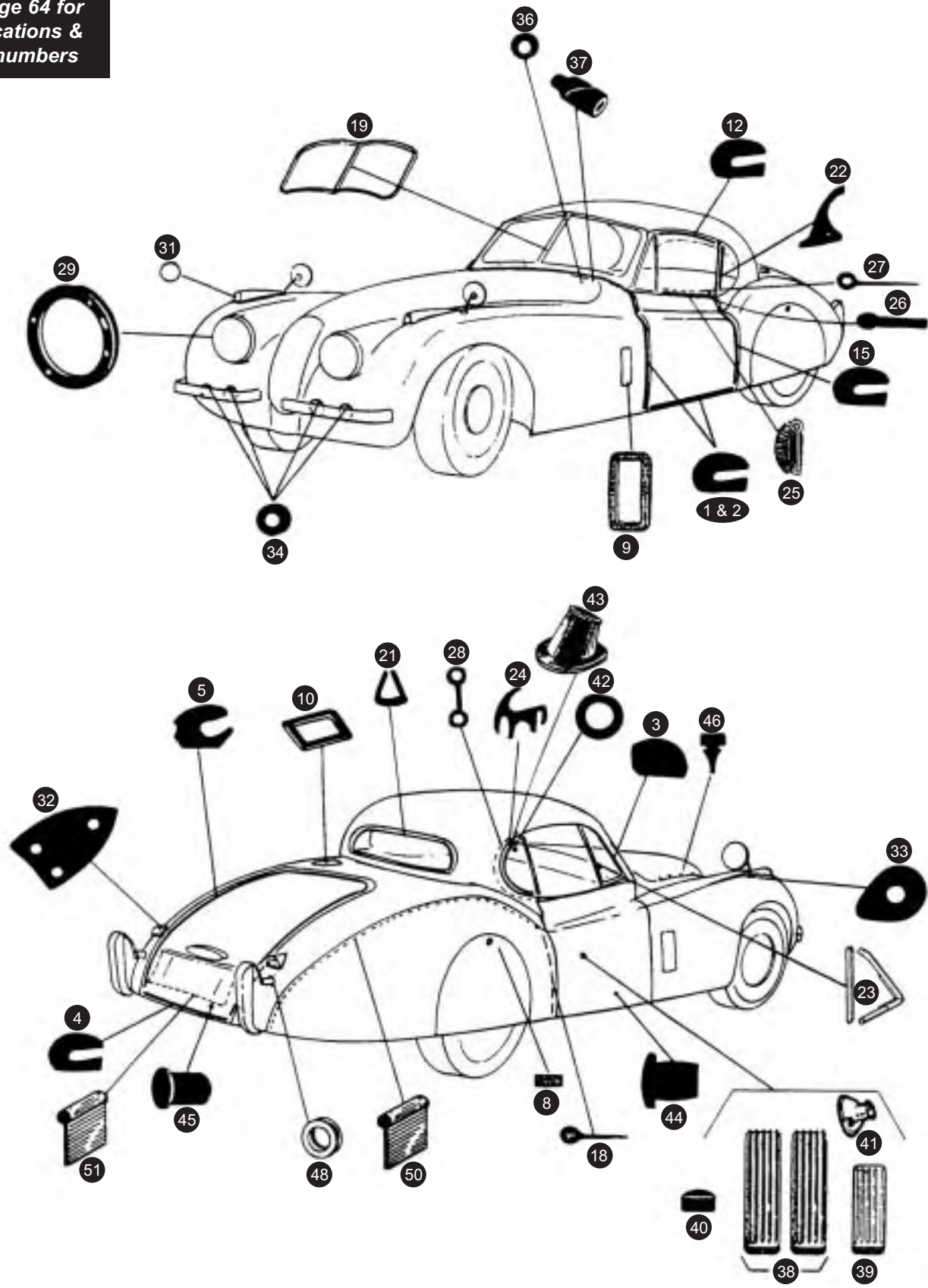




XK120 FHC Body Rubbers

Buy on-line at www.sngbarratt.com

Please see listing on page 64 for applications & part numbers



+44 (0) 1746 765432
sales.uk@sngbarratt.com



+1 603 622 1050
sales.usa@sngbarratt.com



+33 3 85 201 420
sngbarratt.france@wanadoo.fr



+31 13 52 11 552
verkoop@sngbarratt.com



XK120 Body Rubbers

Buy on-line at www.sngbarratt.com

<u>Description of XK120 body rubber</u>	<u>Roadster</u>	<u>DHC</u>	<u>FHC</u>	<u>Part number</u>
1. Door sill seals	■			RT1068/30 pair
1. Door sill seals		■	■	RT1068/31 pair
2. Hinge pillar seals	■			RT1068/30 pair
2. Hinge pillar seals		■	■	RT1068/28 pair
3. Upper hinge pillar/screen pillar seals		■		RT1072/45
4. Boot bottom channel seal	■	■	■	RT1068/33
5. Boot lid seal to 674940	■			RT1071/104
6. Boot lid seal 674941 on	■			RT1069/104
5. Boot lid seal to 678141		■		RT1071/104
6. Boot lid seal 678142 on		■		RT1069/104
5. Boot lid seal			■	RT1071/104
8. Wing skirt seal	■	■	■	RT1057 x 2
9. Front wing vent seal	■	■	■	BD5190 x 2
10. Petrol filler door seal	■	■	■	BD4354
11. Cantrail seals		■		RT1072/17 pair
12. Cantrail seals			■	RT1068/64 pair
13. Head pillar seals		■		RT1072/12
14. Shut pillar seals		■		RT1070/29
15. Shut pillar seals			■	RT1068/19
16. Lower head pillar seal		■		BD4920/2
17. Seal between top frame and windscreen	■			RT1081/45
17. Seal between top frame and windscreen		■		RT1072/46
18. Shut post welting (rubber covered)	■	■	■	RT1019 pair
19. Windscreen seal		■		BD7960
19. Windscreen seal to 680496			■	BD6043
19. Windscreen seal 680497 on			■	BD7960
20. Windscreen to cowl sealing rubbers	■			RT1070/21 pair
21. Rear window seal			■	RT1075/1
22. Door glass frame rear edge seals			■	BD11030/1
23. Front quarter light seal kit		■	■	QLS100
24. Rear quarter glass seal			■	RT1012/20 pair
25. Outer door glass waist seal		■	■	BD20010/4 x 2
26. Inner door glass waist seal		■	■	BD5082 x 2
27. Piping for outer door glass outer door glass waist seal		■	■	RT1017/34 pair
28. Piping for rear quarter window frame			■	RT2010/20
29. Headlamp to body gasket	■	■	■	3432 x 2
30. Sidelamp mounting pad to 672926 with bolt on lamps	■			C2891 x 2
31. Sidelamp sealing ring with welded housing 672927 on	■			3405 x 2
31. Sidelamp sealing ring		■	■	3405 x 2
32. Tail lamp to body gasket	■	■	■	BD2964 x 2
33. Wing mirror mounting pad	■	■	■	MP1001 x 2
34. Front bumper mounting pad	■	■	■	C3849/K x 8
35. Windscreen post pad outer	■			BD3887 x 2
Windscreen post pad centre	■			BD3887/1
36. Washer jet mounting pads	■	■	■	MP1002 pair
37. Wiper spindle grommet	■	■	■	3522 x 2
38. Clutch & brake pedal rubber	■	■	■	792 x 2
39. Accelerator pedal rubber	■	■	■	C3473
40. Headlamp dip switch pad	■	■	■	C2659
41. Pedal stem draught and dust excluder	■	■	■	C4036 x 2
42. Steering column grommet: Doughnut style	■			C3766/1
43. Steering column grommet: Cone style		■	■	C3766
44. Jacking point bung	■	■	■	1048
45. Jack stowing plug	■	■	■	BD3527
46. Bonnet buffer	■	■	■	BD4616 x 6
47. Rubber inserts for luggage strips behind parcel box 677721 on		■		RT1024/15





XK120 Body Rubbers

Buy on-line at www.sngbarratt.com

Description of XK120 body rubber

	<u>Roadster</u>	<u>DHC</u>	<u>FHC</u>	<u>Part number</u>
48. Grommet for rear bumper distance piece	■	■	■	C2869 x 2
49. D rubber kit for cockpit roll	■			BD3631/K
50. Body piping for rear wings	■	■	■	RT1013/72±
51. Body piping for licence plate panel	■	■	■	RT1013/74±

± Please add colour code to part number

- A Grey
- B Blue
- C Green
- D Black
- E White
- F Red
- G Maroon

Body rubbers not illustrated

Felt door glass channel liner 6 ft roll		■		BD5082 x 1
Felt door glass channel liner 6 ft roll			■	BD5082 x 2
Grommet kit	■	■	■	GK126
Chassis mounting felt roll	■	■	■	RT1015
Body plug for mounting holes in sills	■	■	■	GR1010 x 4
Gear lever mounting bush	■	■	■	C1915 x 2



XK 120 Roadster
shown from 1937 at Fort of Kintou
Five wheels and white wall tires additional

A highly personal car . . . for those who appreciate superior motoring performance! Jaguar's famed engine makes it the world's fastest stock car. Low center of gravity, precision steering and braking power - the secret. Superb "roadability" - the secret coating! Let your dealer show you Jaguar in action . . . just for the fun of it!

JAGUAR

the finest car of its class in the world

Jaguar - Part of the World's Best
CHARLES H. HORNBERG, Jr., INC. 9178 SHERIDAN BLVD., LOS ANGELES • THE HOFFMAN MOTOR CAR CO., INC. 487 PARK AVE., N.Y.



+44 (0) 1746 765432
sales.uk@sngbarratt.com



+1 603 622 1050
sales.usa@sngbarratt.com



+33 3 85 201 420
sngbarratt.france@wanadoo.fr



+31 13 52 11 552
verkoop@sngbarratt.com

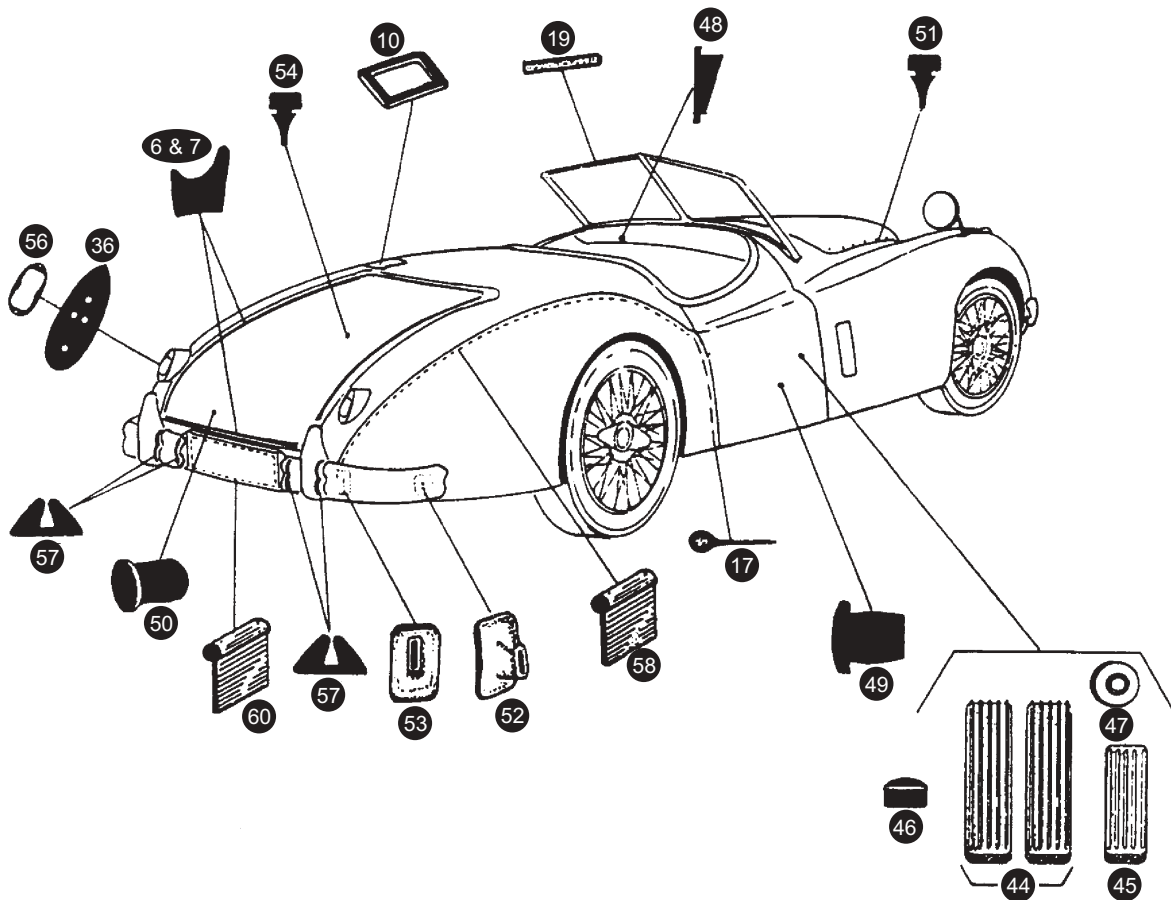
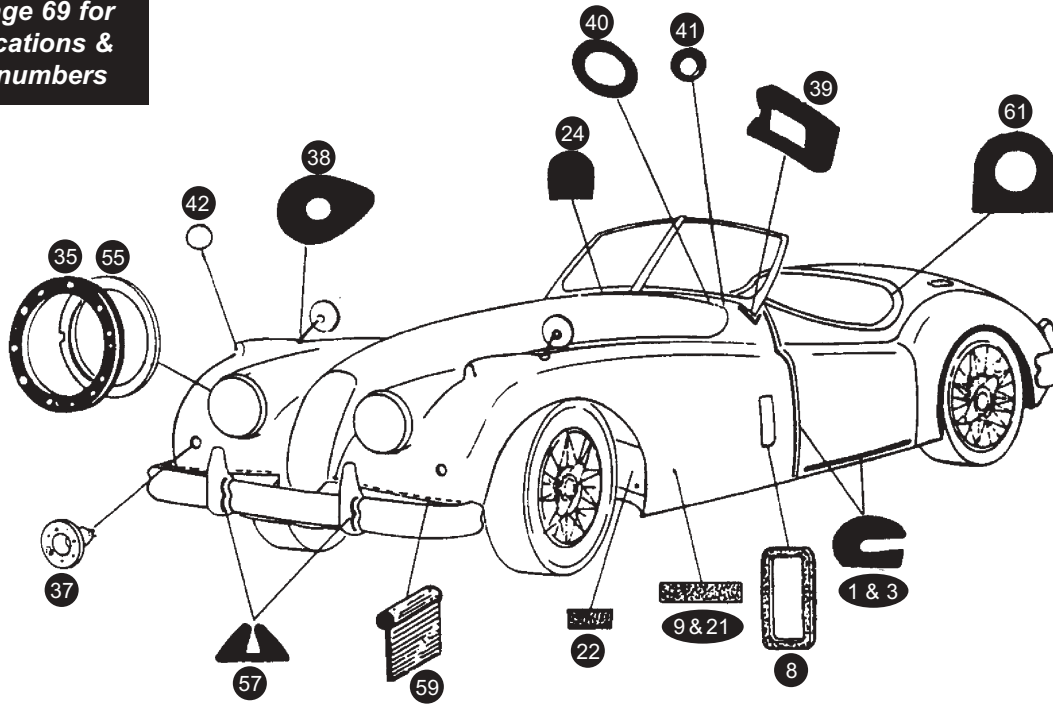


XK140 Roadster Body Rubbers

Buy on-line at www.sngbarratt.com



Please see listing on page 69 for applications & part numbers

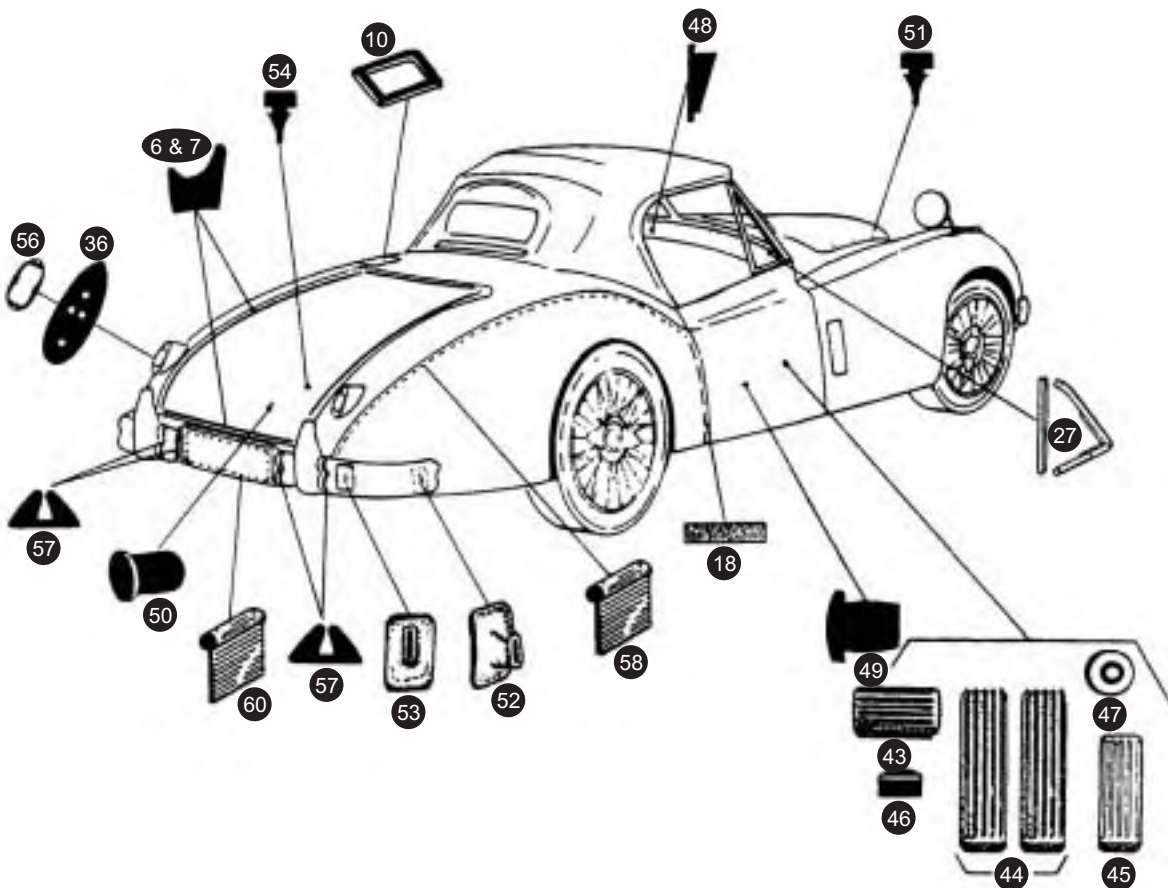
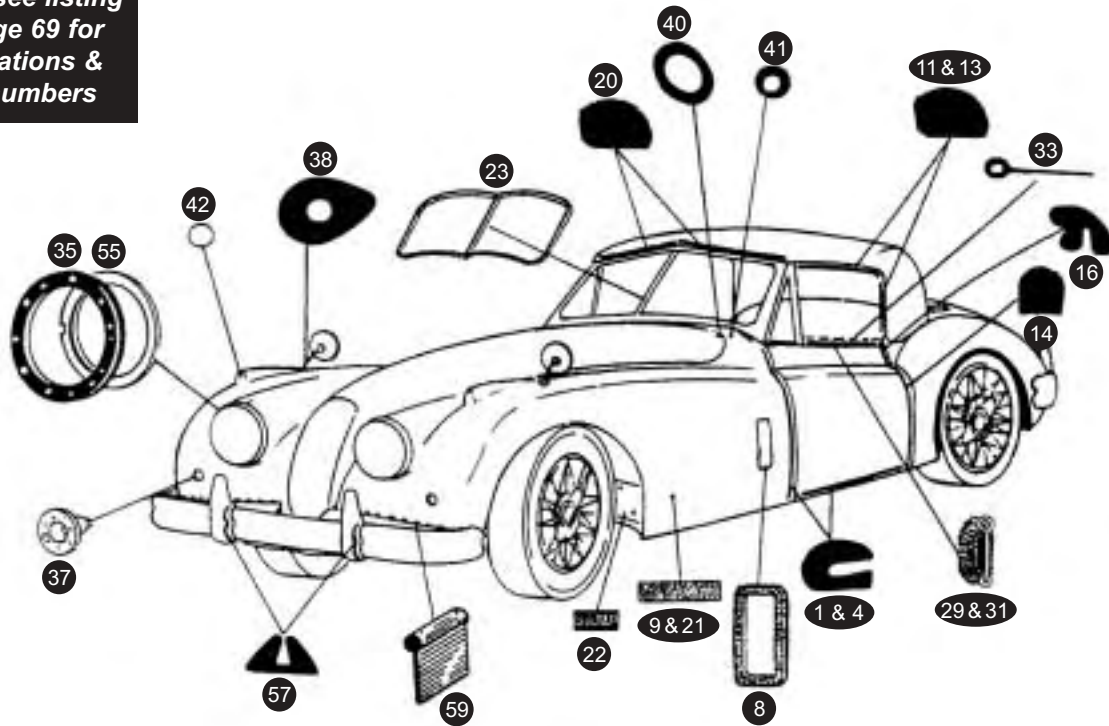




XK140 DHC Body Rubbers

Buy on-line at www.sngbarratt.com

Please see listing on page 69 for applications & part numbers



+44 (0) 1746 765432
sales.uk@sngbarratt.com



+1 603 622 1050
sales.usa@sngbarratt.com



+33 3 85 201 420
sngbarratt.france@wanadoo.fr



+31 13 52 11 552
verkoop@sngbarratt.com

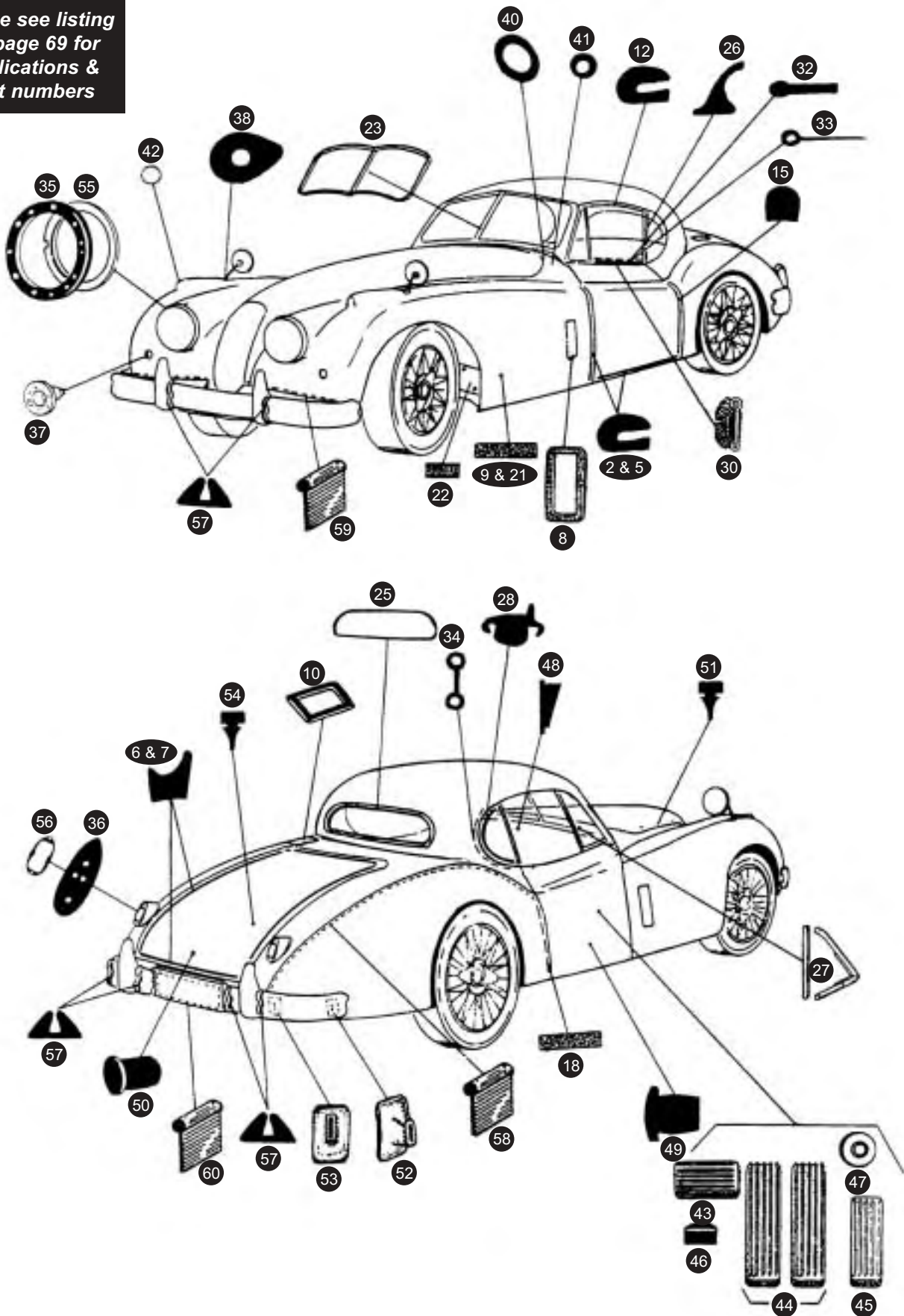


XK140 FHC Body Rubbers

Buy on-line at www.sngbarratt.com



Please see listing on page 69 for applications & part numbers



XK140 Body RubbersBuy on-line at www.sngbarratt.com

Description of XK140 body rubber	Roadster	DHC	FHC	Part number
1. Door sill seals		■	■	RT1068/31 pair
2. Door sill seals			■	RT1068/30 pair
3. Hinge pillar seals	■			RT1068/31 pair
4. Hinge pillar seals		■		RT1072/45 pair
5. Hinge pillar seals			■	RT1068/29 pair
6. Boot bottom channel seal	■	■	■	RT1069/31
7. Boot lid seal	■	■	■	RT1069/95
8. Front wing vent seal	■	■	■	BD5190 x 2
9. Front wing diaphragm seal	■	■	■	RT1066/40 pair
10. Petrol filler door seal	■	■	■	BD4354
11. Cantrail seals		■		RT1072/17
12. Cantrail seals			■	RT1068/45
13. Upper head pillar seals		■		RT1072/12 pair
14. Shut pillar seals		■		RT1070/29 pair
15. Shut pillar seals			■	RT1070/30 pair
16. Lower head pillar seal		■		BD4920/2
17. Shut post welting (rubber covered)	■			RT1019 pair
18. Shut pillar sealing plate gasket		■	■	RT1066/27
19. Seal between top frame and windscreen	■			RT1081/45
20. Seal between top frame and windscreen		■		RT1072/46
21. Gearbox cover sponge seal	■	■	■	RT1066/13
22. Battery box door seal	■	■		RT1057
22. Battery box door seal			■	RT1057 x 2
23. Windscreen seal		■	■	BD7960
24. Windscreen to cowl sealing rubbers	■			RT1070/21 pair
25. Rear window seal			■	BD9759
26. Door glass frame rear edge seals			■	BD11030/1
27. Front quarter light seal kit		■	■	RT1097
28. Rear quarter glass seal			■	RT1009/37
29. Outer door glass waist seal		■		BD20010/4 x 2
30. Outer door glass waist seal			■	BD20010/4 x 2
31. Inner door glass waist seal		■		BD20010/4 x 2
32. Inner door glass waist seal			■	BD5082 x 2
33. Piping for outer door glass outer door glass waist seal		■	■	RT1017/34
34. Piping between rear quarter window and body			■	RT2010/39 pair
35. Headlamp to body gasket	■	■	■	8402 x 2
36. Tail lamp to body gasket	■	■	■	6671 pair
37. Front flasher lamp boot	■	■	■	C9926 x 2
38. Wing mirror mounting pad	■	■	■	MP1001 x 2
39. Windscreen post pad	■			BD3887 x 2
40. Wiper spindle gasket	■	■	■	RT1007 x 2
41. Washer jet mounting pads	■	■	■	MP1002 pair
42. Sidelamp sealing ring	■	■	■	3405 x 2
43. Brake pedal rubber (automatic)	■	■	■	C6876
44. Clutch & brake pedal rubber	■	■	■	792
45. Accelerator pedal rubber (all models)	■	■	■	C3473
46. Headlamp dip switch pad (all models)	■	■	■	C2659
47. Pedal stem draught and dust excluder	■	■	■	C8166 x 2
48. Steering column grommet	■	■	■	C8093
49. Jacking point bung	■	■	■	1048 x 2
50. Jack stowing plug on forward clip in boot	■	■	■	BD3527
51. Bonnet buffer	■	■	■	BD4616 x 6
52. Rear bumper bracket grommet outer	■	■	■	BD10330 x 2
53. Rear bumper bracket grommet inner	■	■	■	BD10331 x 2
54. Spare wheel tray buffer	■	■	■	BD4616 x 4
55. Headlamp dust excluder	■	■	■	3446 x 2
56. Tail lamp lens gasket	■	■	■	5315 x 2

+44 (0) 1746 765432
sales.uk@sngbarratt.com+1 603 622 1050
sales.usa@sngbarratt.com+33 3 85 201 420
sngbarratt.france@wanadoo.fr+31 13 52 11 552
verkoop@sngbarratt.com

XK140 Body Rubbers

Buy on-line at www.sngbarratt.com



<u>Description of XK140 body rubber</u>	<u>Roadster</u>	<u>DHC</u>	<u>FHC</u>	<u>Part number</u>
57. PVC beading for overiders	■	■	■	RT1056/3
58. Rear wing piping	■	■	■	RT1013/72 pair±
59. Front bumper plinth piping	■	■	■	RT1013/20 pair±
60. Licence plate panel piping	■	■	■	RT1013/42 ±
61. D rubber kit for cockpit roll	■			BD3631/K

± Please add colour code to part number

- A Grey
- B Blue
- C Green
- D Black
- E White
- F Red
- G Maroon

Body rubbers not illustrated

Felt door glass channel liner 6 ft roll	■	■	■	BD5082
Grommet kit	■	■	■	GK127
Chassis mounting felt roll	■	■	■	RT1015
Air cleaner grommet (side mounted only)	■	■	■	C1788
Seal for hinged panel at back of boot	■	■		RT1072/40
Body plug for mounting holes in boot floor		■	■	C5647 x 6
Sill plug	■	■	■	GR1010 x 6
Battery rubber pad	■	■		RT1021/2
Battery rubber pad			■	RT1021/3
Gear lever mounting bush	■	■	■	C1915 x2
Fog lamp mounting grommet	■	■	■	C8297



CONTROLLED POWER

The world-famous XK 120 engine
 ... aerodynamic steel body
 and super-strengthened frame
 ... perfect suspension ... precision steering
 ... sure braking ... superb "roadability"
 under any conditions: that's JAGUAR!

JAGUAR

the finest car of its class in the world

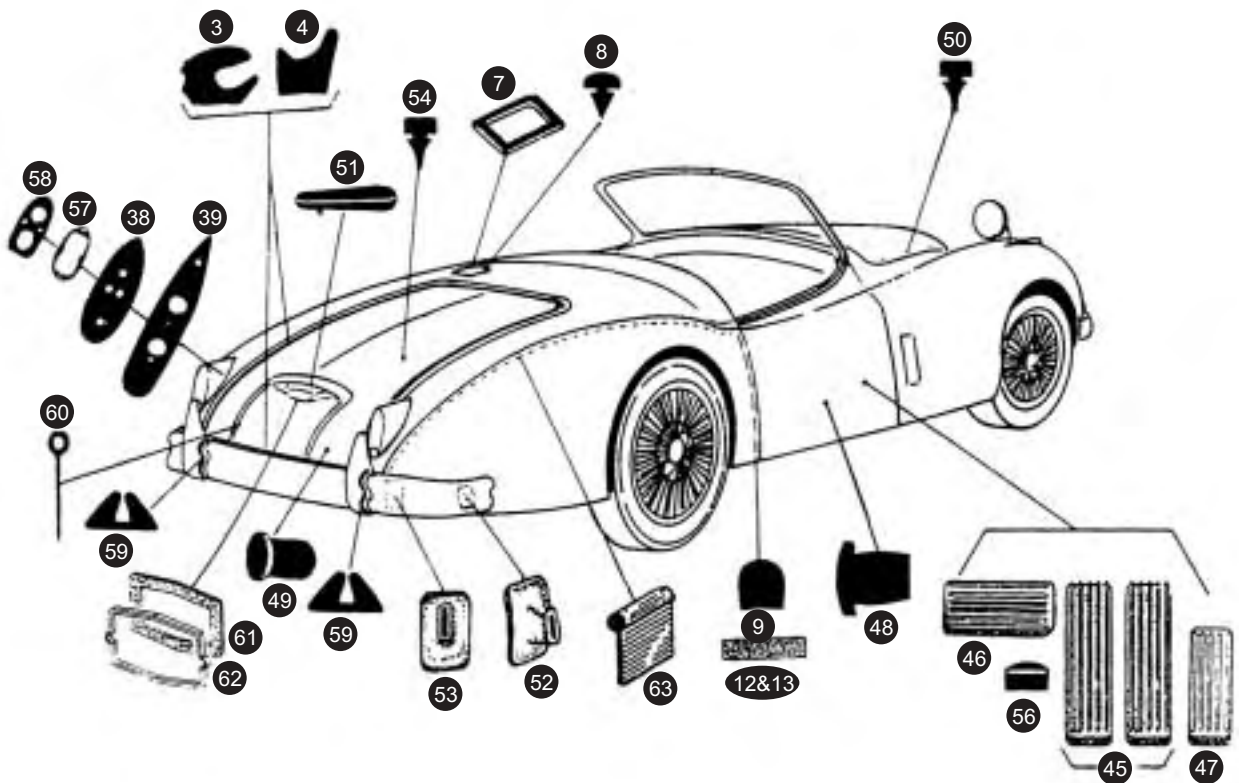
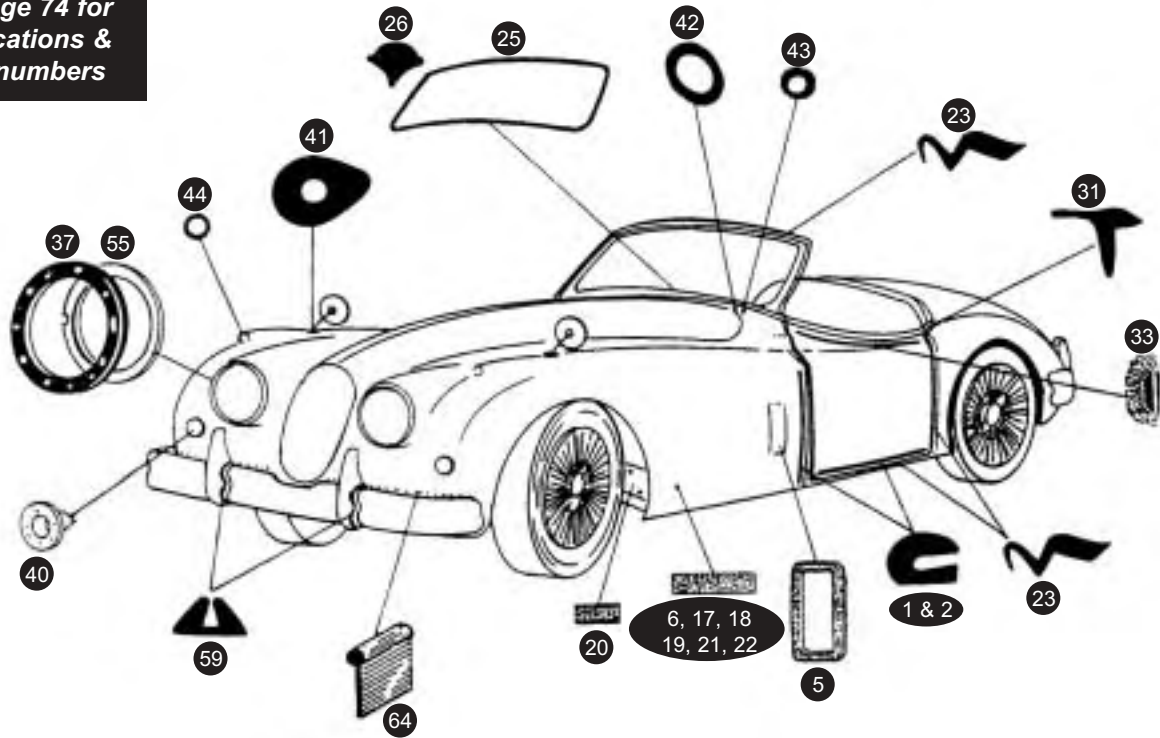
Importers East of the Mississippi
 CHARLES H. HORNBERG, JR., INC., 9176 SUNSET BLVD., LOS ANGELES • THE HOFFMAN MOTOR CAR CO., INC., 487 PARK AVE., N. Y.



XK150 Roadster Body Rubbers

Buy on-line at www.sngbarratt.com

Please see listing on page 74 for applications & part numbers



+44 (0) 1746 765432
sales.uk@sngbarratt.com



+1 603 622 1050
sales.usa@sngbarratt.com



+33 3 85 201 420
sngbarratt.france@wanadoo.fr



+31 13 52 11 552
verkoop@sngbarratt.com

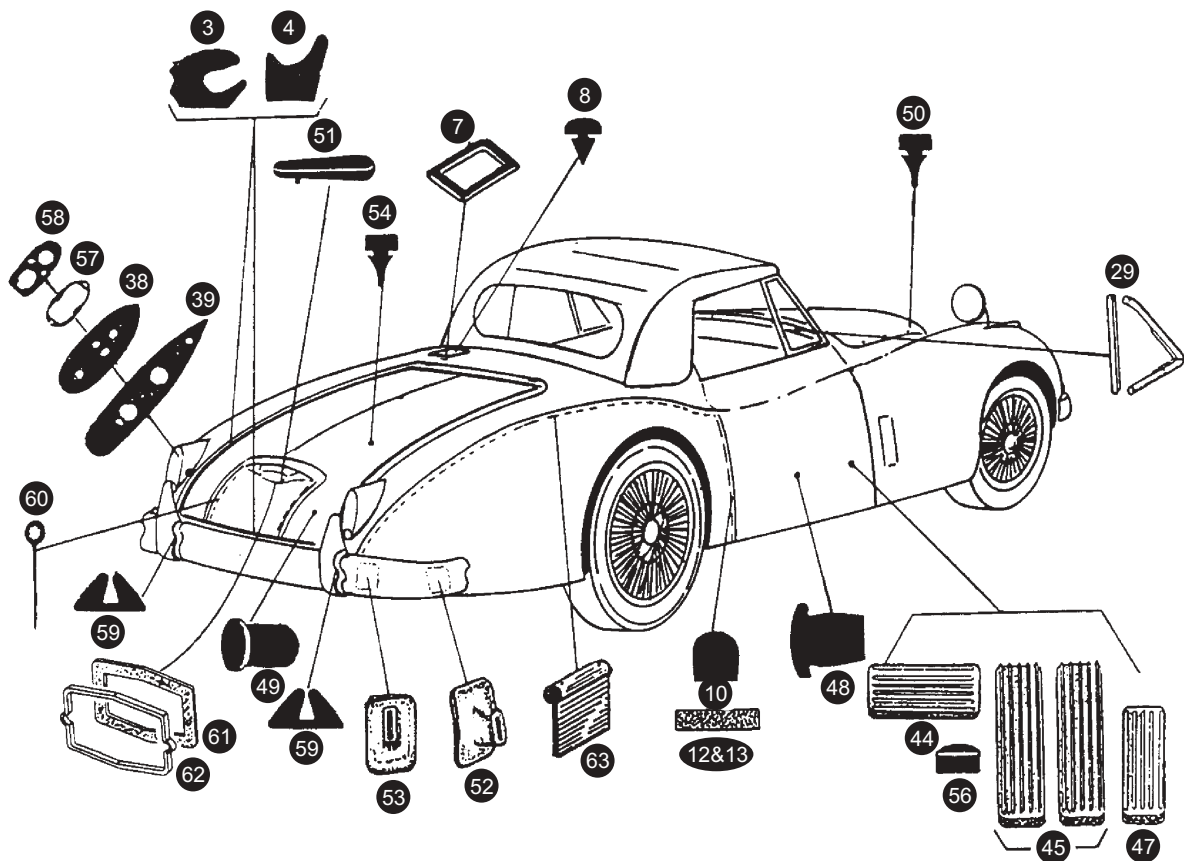
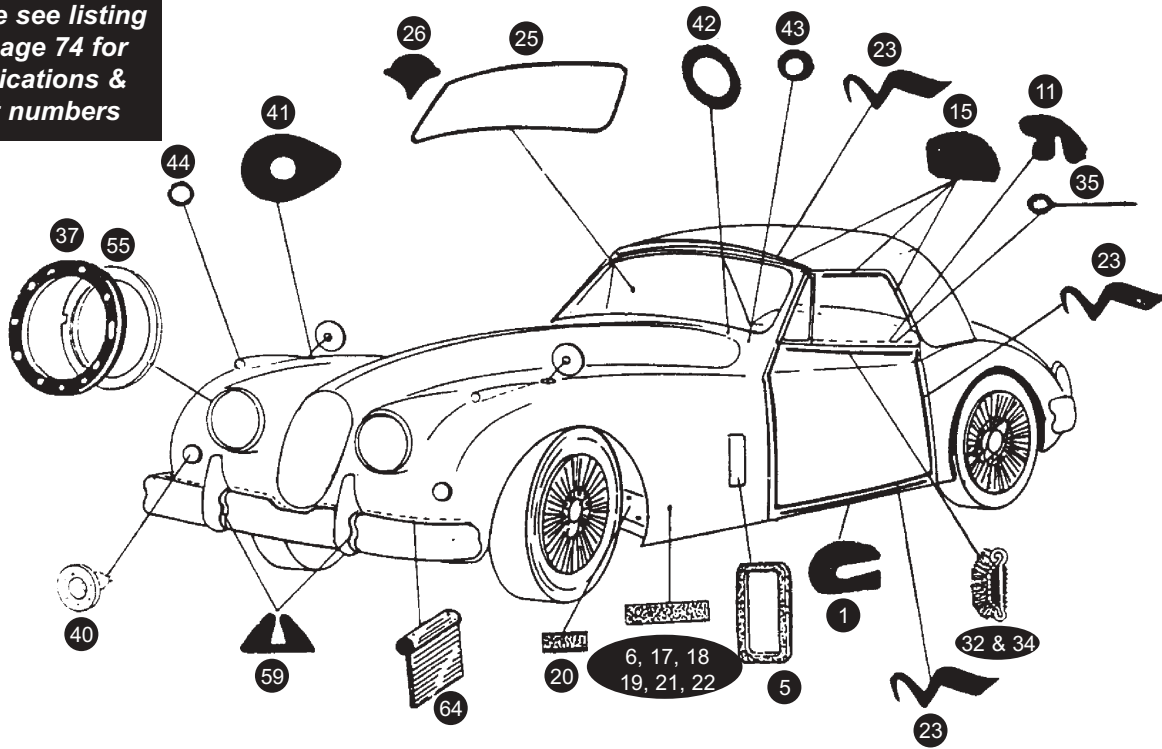


XK150 DHC Body Rubbers

Buy on-line at www.sngbarratt.com



Please see listing on page 74 for applications & part numbers

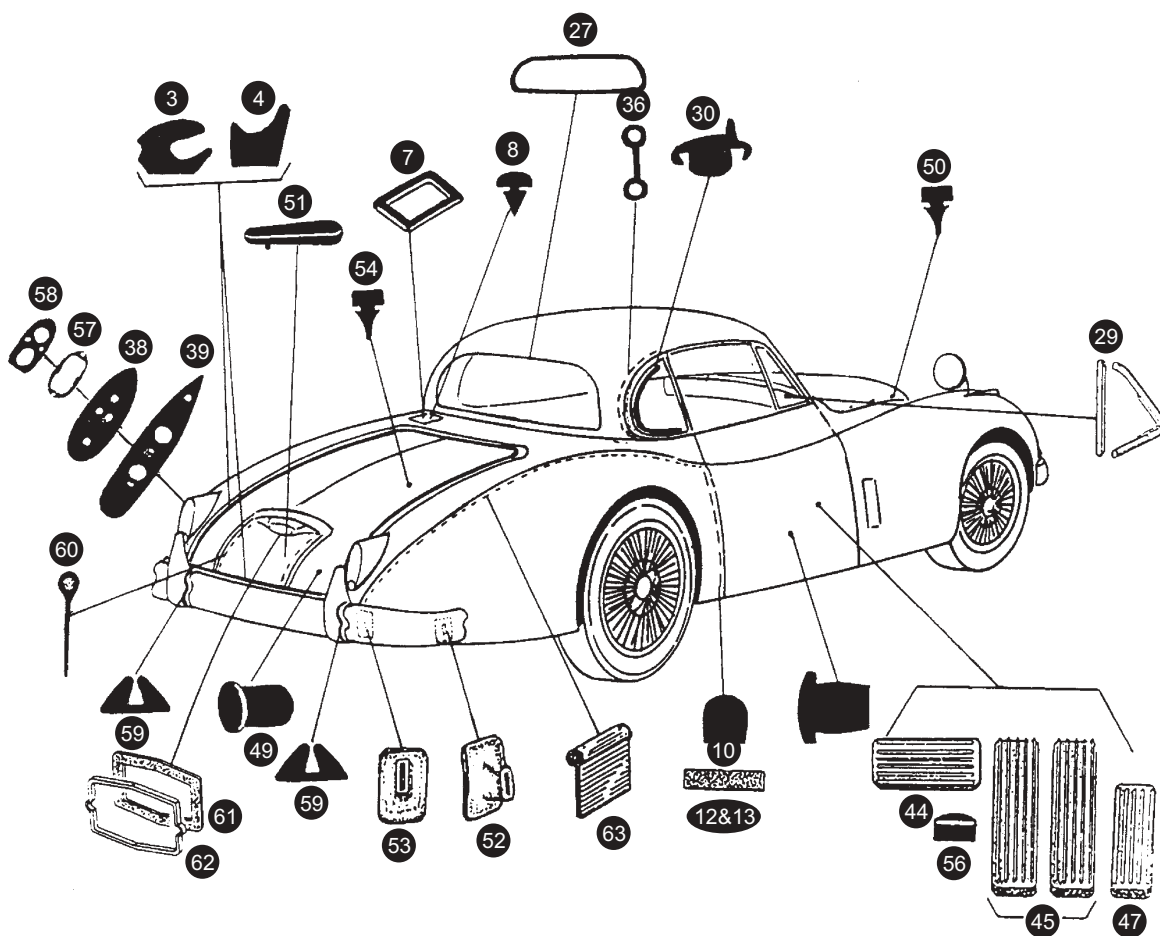
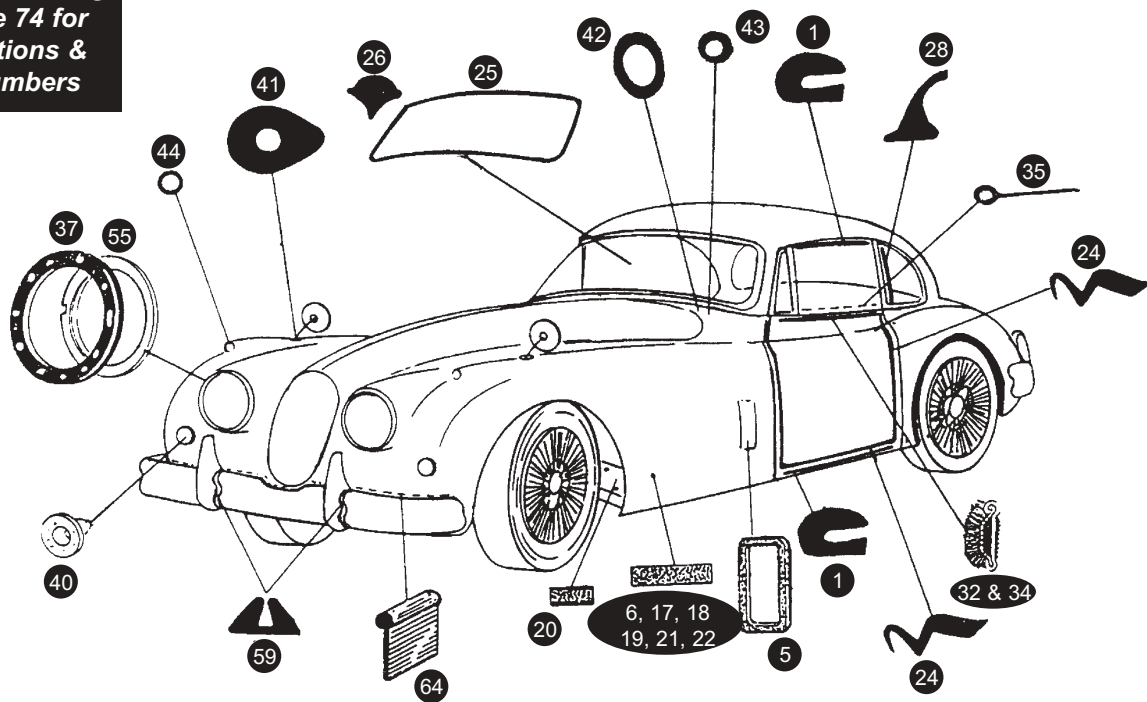




XK150 FHC Body Rubbers

Buy on-line at www.sngbarratt.com

Please see listing on page 74 for applications & part numbers



+44 (0) 1746 765432
sales.uk@sngbarratt.com



+1 603 622 1050
sales.usa@sngbarratt.com



+33 3 85 201 420
sngbarratt.france@wanadoo.fr



+31 13 52 11 552
verkoop@sngbarratt.com



XK150 Body Rubbers

Buy on-line at www.sngbarratt.com



<u>Description of XK150 body rubber</u>	<u>Roadster</u>	<u>DHC</u>	<u>FHC</u>	<u>Part number</u>
1. Door sill seals	■	■	■	RT1068/36 pair
2. Hinge pillar seals	■			RT1068/24 pair
3. Boot bottom channel seal	■	■	■	RT1077/31
4. Boot lid seal	■	■	■	RT1069/95
5. Front wing vent seal early	■	■	■	BD5190 x 2
5. Front wing vent seal late	■	■	■	BD16091 x 2
6. Front wing diaphragm seal	■	■	■	RT1066/39 pair
7. Petrol filler door seal gasket - early cars	■	■	■	BD4354
8. Petrol filler door buffer - later cars	■	■	■	BD4321
9. Shut pillar seals	■			RT1070/31
10. Shut pillar seals		■	■	RT1070/30
11. Lower head pillar seal		■		BD4920/2
12. Shut pillar plate seal - short	■	■	■	RT1066/2 pair
13. Shut pillar plate seal - long	■	■	■	RT1066/29 pair
14. Seal between top frame and windscreen		■		BD15761/1
15. Cantrail seals		■		RT1072/22 pair
16. Upper head pillar seal		■		RT1072/12 pair
17. Sponge seal between gearbox cover and propshaft tunnel	■	■	■	RT1066/13
18. Battery box seal - short	■	■	■	RT1066/12 pair
19. Battery box seal - long	■	■	■	RT1066/33 pair
20. Battery box door seal	■	■	■	RT1057 x 2
21. Battery box mudshield seal - short	■	■	■	RT1066/9 pair
22. Battery box mudshield seal - long	■	■	■	RT1066/23 pair
23. Door seal kit	■	■		RT1010/21
24. Door seal kit			■	RT1010/27
25. Windscreen seal	■	■	■	BD13129
26. Windscreen insert strip	■	■	■	RT1018/2
27. Rear window seal			■	BD14937
28. Door glass frame rear edge seals			■	BD11030/1
29. Front quarter light seal kit		■	■	RT1097
30. Rear quarter glass seal			■	RT1009/37 pair
31. Outer door glass waist seal	■			BD14971/1
32. Outer door glass waist seal		■	■	BD20010/4 x 2
33. Inner door glass waist seal	■			BD20010/4 x 2
34. Inner door glass waist seal		■	■	BD20010/4 x 2
35. Piping for outer door glass outer door glass waist seal		■	■	RT1017/34
36. Piping between rear quarter window and body			■	RT2010/39 pair
37. Headlamp to body gasket	■	■	■	8402 x 2
38. Tail lamp to body gasket - early cars	■	■	■	6671 pair
39. Tail lamp to body gasket - later cars	■	■	■	8344/5
40. Front flasher lamp boot	■	■	■	C9926 x 2
41. Wing mirror mounting pad	■	■	■	MP1001 x 2
42. Wiper spindle gasket	■	■	■	RT1007 x 2
43. Washer jet mounting pads	■	■	■	MP1002 pair
44. Sidelamp sealing ring	■	■	■	3405 x 2
45. Clutch & brake pedal rubber	■	■	■	792
46. Brake pedal rubber (automatic)	■	■	■	C6876
46. Foot rest pad	■	■	■	C6876
47. Accelerator pedal rubber - early cars 6.75" long	■	■	■	C3473
47. Accelerator pedal rubber - late cars 10" long	■	■	■	C11671
48. Jacking point bung	■	■	■	1048/A x 2
49. Jack stowing plug on forward clip in boot	■	■	■	BD3527
50. Bonnet buffer	■	■	■	BD4616 x 10
51. Rubber pad under boot lid handle	■	■	■	BD14893
52. Rear bumper bracket grommet - outer	■	■	■	BD10330 x 2
53. Rear bumper bracket grommet - inner	■	■	■	BD10331 x 2
54. Spare wheel tray buffer	■	■	■	BD4616 x 4





XK150 Body Rubbers

Buy on-line at www.sngbarratt.com

Description of XK150 body rubber

	<u>Roadster</u>	<u>DHC</u>	<u>FHC</u>	<u>Part number</u>
55. Headlamp dust excluder	■	■	■	3446 x 2
56. Headlamp dip switch pad	■	■	■	C2659
57. Tail lamp lens gasket - early cars	■	■	■	5315 x 2
58. Tail lamp lens gasket - late cars	■	■	■	8083 x 2
59. PVC beading for overriders	■	■	■	RT1056/3
60. Rear licence panel piping	■	■	■	RT1017/42
61. Reverse lamp lens gasket	■	■	■	3488
62. Reverse lamp gasket	■	■	■	3489
63. Rear wing piping	■	■	■	RT1013/72 pair±
64. Front bumper plinth piping	■	■	■	RT1013/20 pair±

± Please add colour code to part number

- A Grey
- B Blue
- C Green
- D Black
- E White
- F Red
- G Maroon

Body rubbers not illustrated

Felt door glass channel liner 6 ft roll		■		BD5082
Felt door glass channel liner 6 ft roll			■	BD5082 x 2
Fog lamp mounting grommet	■	■	■	C8297
Grommet kit	■	■	■	GK128
Chassis mounting felt roll	■	■	■	RT1015
Gear lever mounting bush	■	■	■	C1915
Air cleaner grommet (side mounted only)	■	■	■	C1788
Transmission cover plug - automatic	■	■	■	BD10821 x 3
Body plug for mounting holes in boot floor	■	■	■	C5647 x 6
Sill plug	■	■	■	GR1010 x 6
Pedal stem draught excluder felt	■	■	■	BD13127



Developed in the toughest international races, Jaguar is not only the world's fastest production car ... and the safest ... but the most fun to drive! With its famed XK-100 engine, now even more powerful ... precision race car rack-and-pinion steering ... oversize racing brakes ... enlarged cockpit for greater comfort, Jaguar adds spice to your life, fun to your driving!

Note: Recently, a production model Jaguar was driven 7 days and 7 nights ... 16,851 miles at an average speed of over 100 mph. Yet after this grueling test technicians found it could pass new car inspection!

JAGUAR
the finest car of its class in the world

© 1998 Jaguar. Illustrated XK150 part at extra. *The wheels, whitewall tires, etc. in this article and cover are optional accessories only in 1998. †The Mark III is a newly revised model. Being shown for your Jaguar dealer about today, using extreme delivery.



+44 (0) 1746 765432
sales.uk@sngbarratt.com



+1 603 622 1050
sales.usa@sngbarratt.com



+33 3 85 201 420
sngbarratt.france@wanadoo.fr



+31 13 52 11 552
verkoop@sngbarratt.com



Windscreen & Body Glass

Buy on-line at www.sngbarratt.com



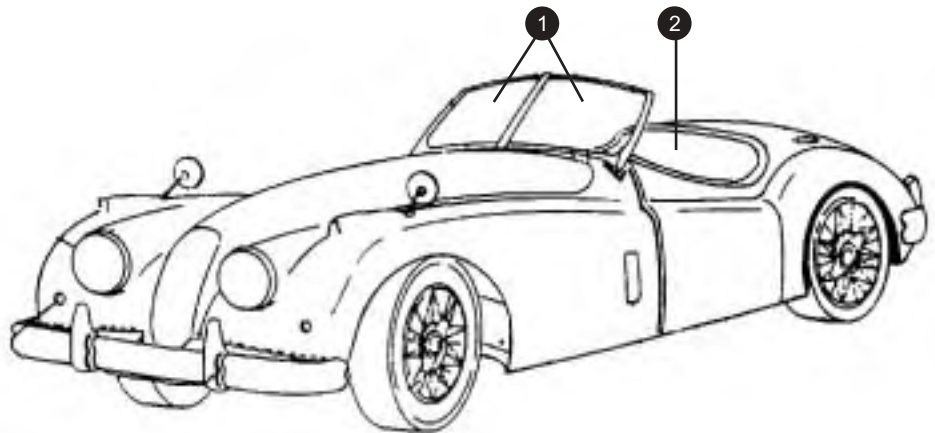
Roadster Models

1. Windscreen

XK120/140	BD3237	pair
XK150 clear	BD13051	1
XK150 tinted	BD19038	1

2. Door glass

XK120 side curtain plexi		
U2000		2
XK140 side curtain plexi		
U2001		2
XK150	BD15062	1
	BD15063	1



DHC Models

1. Windscreen

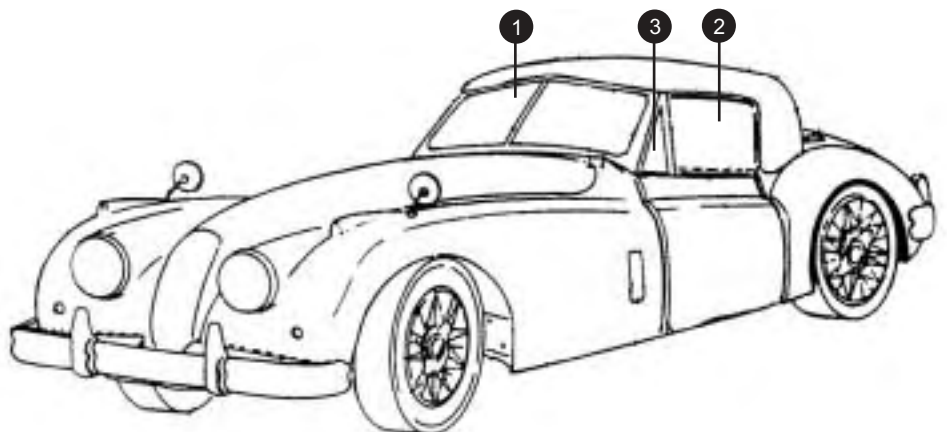
XK120/140	BD7967P	pair
XK150 clear	BD13051	1
XK150 tinted	BD19038	1

2. Door glass

XK120/140	BD6758	2
XK150	BD13542	2

3. Front quarter light

XK120/140	BD6759	2
XK150	BD13532	2



FHC Models

1. Windscreen

XK120/140	BD7967	1
XK150 clear	BD13051	1
XK150 tinted	BD19038	1

2. Door glass

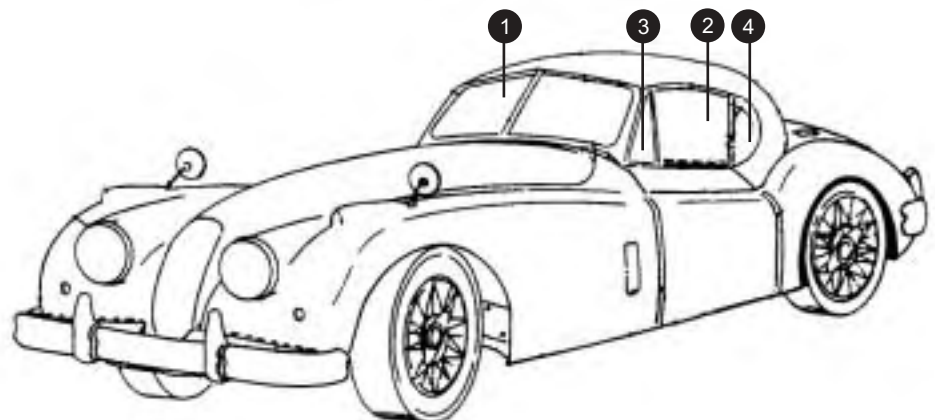
XK120	BD5063	2
XK140	BD10227	2
XK150	BD18317	2

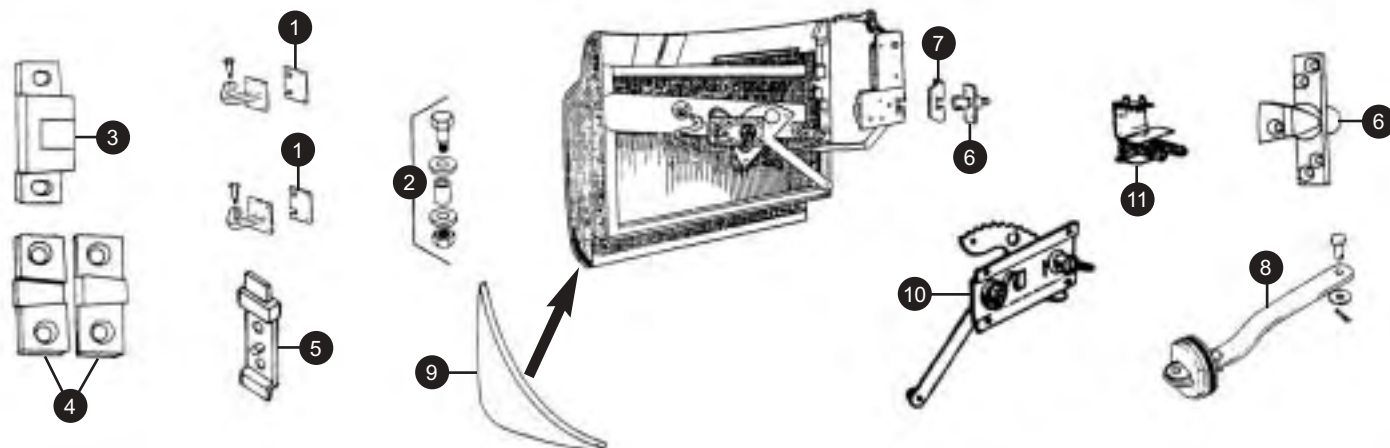
3. Front quarter light

XK120	BD5064	2
XK140	BD9996	2
XK150	BD12562	2

4. Rear vent glass

XK120	BD5065	2
XK140	BD9999	2
XK150	BD12566/7	2



**1. Door hinge shim**

XK120/140	0.036"	BD4701/1	A/R
	0.064"	BD4701/2	A/R
XK150	0.035"	BD16155/1	A/R
	0.060"	BD16155/2	A/R

2. Door hinge box/pin repair kit

		BF1077	A/R
--	--	--------	-----

Door hinge stop plate

OTS	XK120/140	BD4675	2
-----	-----------	--------	---

3. Door striker

OTS	XK120/140	BD2930	2
-----	-----------	--------	---

4. Door dovetail set

XK120/140	OTS	BD2941/42	1
-----------	-----	-----------	---

5. Door striker plate (on door)

XK150	RH	BD13801	1
	LH	BD13800	1

Door striker screw

XK150		BD4391/1	8
-------	--	----------	---

Door striker plate

XK150	LH	BD13802	1
	RH	BD13803	1

Door striker plate B post

XK150	LH	BD13800	1
	RH	BD13801	1

6. Door dovetail striker

XK120/140	DHC	RH	2311/1	1
		LH	2310/1	1

XK120 FHC	RH	2311/1	1
	LH	2310/1	1

7. Door latch cover plate

XK120/140	DHC	RH	BD5980	1
		LH	BD5979	1

XK120 FHC	RH	BD5980	1
	LH	BD5979	1

8. Door check arm/plate

XK120/140	OTS	BD4675	2
XK150		BD14923	2

9. Crescent seal plate at rear lower door corner

XK140	DHC/FHC	BD13137	2
XK150		BD13137	2

10. Door glass regulators

XK140	DHC	RH	BD8985	1
		LH	BD8984	1

XK140	FHC	RH	BD10093	1
		LH	BD10092	1

XK150	DHC/FHC	RH	BD10093	1
		LH	BD10092	1

11. Front vent window pivot assembly

XK120	FHC	BD5161/62	pair
XK120/140	DHC	BD8861/62	pair
XK140	FHC	BD6171	pair

Door fittings not illustrated**Door rear glass channel**

XK120/140	DHC	RH	BD9115	1
		LH	BD9116	1

Door glass stop

XK150	OTS	BD5440/6	2
	DHC/FHC	BD13557	2

Rubber sleeve on stop

XK150	DHC/FHC	C4391	2
-------	---------	-------	---

T-bolt in front window channel

XK150	DHC/FHC	BD12768	4
-------	---------	---------	---

Windscreen surround bracket set

XK120/140	OTS	BF1097	1
-----------	-----	--------	---

Windscreen post retainer plate

XK120/140	OTS	BD4672	2
-----------	-----	--------	---

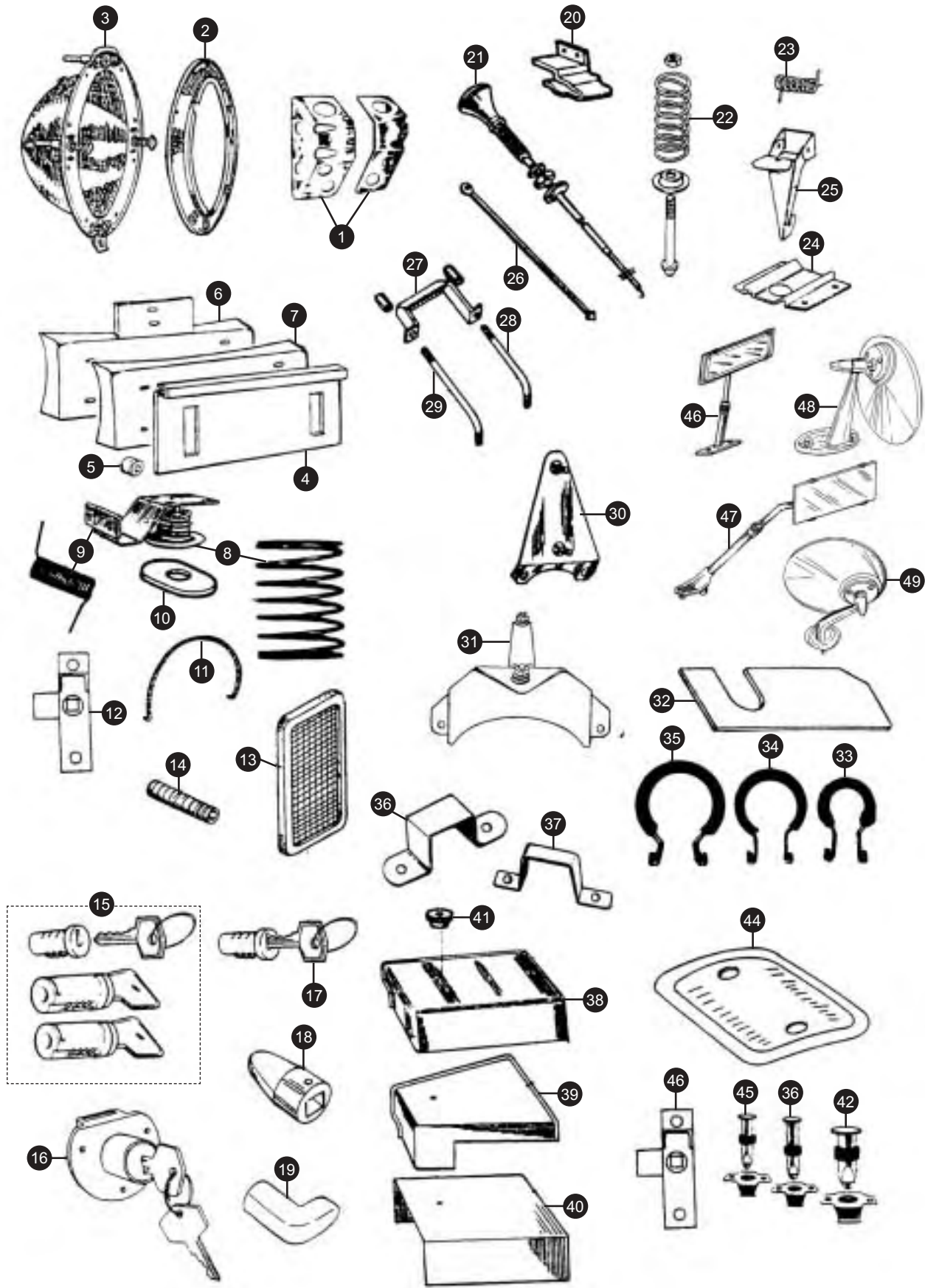
Windscreen centre post retaining nut

XK120/140	OTS	BD4696	2
-----------	-----	--------	---



General Body Fittings Part 1

Buy on-line at www.sngbarratt.com



General Body Fittings Part 1

Buy on-line at www.sngbarratt.com**1. Foglamp mounting brackets**

XK120	C2985/6	pair
XK140/150	BD9242/43	pair

Foglamp mounting grommet

XK140/150	C8297	2
-----------	-------	---

Foglamp mounting nut

XK140/150	5220	2
-----------	------	---

2. Headlamp fixing/mounting ring

XK120	3450	2
XK140/150	5302	2

3. Headlamp bucket

XK140/150	6670	2
-----------	------	---

4. Number plate panel front

XK120	C3236	1
XK140	BD9856	1
XK150	BD10982	1

5. Number plate panel spacer front

XK140/150	BD9872	2
-----------	--------	---

6. Number plate panel rear

XK120	BD5645	1
-------	--------	---

7. Number plate panel rear

XK140	BD9932	1
-------	--------	---

8. Petrol filler flap seal spring

BD4394	1
--------	---

9. Petrol filler flap hinge spring

BD4358/S	1
----------	---

10. Oval body washer	1/4" hole	BD542/3	A/R
	5/16" hole	BD542/6	A/R

11. Rear wheel arch mouldings for cars fitted with wire wheels	BD7769/70	pair
---	-----------	------

12. Budget locks for wing spats

XK120/140	BD2121/2	pair
Key for budget locks	2072	1

Rear wing stone guards

XK120	BD3384/5	pair
-------	----------	------

13. Wing vent gauze

XK120/140/150 early	BD5189	2
XK150 late	BD14667	2

14. Front wing vent springs

XK120/140/150 early	BD5176	2	
XK150 late	RH upper	BD14792	1
	RH lower	BD14726	1
	LH lower	BD14725	1
	LH upper	BD14792	1

Fuel pump shield

XK150	C14204	1
-------	--------	---

Plexiglass wind wings

XK120/140 OTS	BF1010	pair
---------------	--------	------

15. Lock set

(2 doors, boot lock, ignition lock and cubby box lock)

XK120 OTS	BF1072	1
XK120 DHC/FHC	BF1073	1
XK140 OTS	BF1074	1
XK140 DHC	BF1022	1
XK140 FHC	BF1075	1
XK150 OTS/DHC/FHC	BF1075	1

Boot lock barrel

XK140/150	BF1024	1
-----------	--------	---

16. Cubby box lock

XK120/140 DHC/FHC	BD5300	1
XK150 OTS/DHC/FHC	BD5300	1

17. Ignition lock barrel with keys

BD10610	1
---------	---

18. Bootlid handle mechanism wedge

XK140/150	BF1068	1
-----------	--------	---

19. Casting on door lock operating mechanism

XK150	BF1090	2
-------	--------	---

Bell crank for door locks

BD10504/05 pair

Body mountings

Rectangular body to frame shim at sills

XK120	BF1063	A/R
-------	--------	-----

Body mounting spacer

XK120/140/150	5/8" round	BD6626	A/R
XK120/140/150	13/32" round	BD6635	A/R
XK120/140	1/8" square	BD4548/1	A/R
XK120/140	1/16" square	BD4548/2	A/R

Body mounting fibre washer

XK140/150	BD2070	A/R
-----------	--------	-----

Outtrigger mount

XK150	BD12708	A/R
-------	---------	-----

Outtrigger shim

XK150	BD12716	A/R
-------	---------	-----

20. Bonnet prop clip

XK120	BD4834	1
-------	--------	---

Bonnet prop clip rubber

XK140/150	BF1057	1
-----------	--------	---

21. Bonnet release cable

BD2954	1
--------	---

Cable adjuster

C4443	1
-------	---

22. Bonnet cable clip	XK120 only	C2711	1
------------------------------	------------	-------	---

Bonnet latch spring	XK120 only	BD2951/C	1
----------------------------	------------	----------	---

23. Bonnet safety catch spring	BD13209	1
---------------------------------------	---------	---

24. Bonnet catch guide plate

XK120/XK140	BD2952	1
-------------	--------	---



+44 (0) 1746 765432
sales.uk@sngbarratt.com



+1 603 622 1050
sales.usa@sngbarratt.com



+33 3 85 201 420
sngbarratt.france@wanadoo.fr



+31 13 52 11 552
verkoop@sngbarratt.com



General Body Fittings Part 1

Buy on-line at www.sngbarratt.com



Bonnet hook & striker assembly

XK120 BD2951 1

25. Bonnet safety catch

XK140 BD8432 1
XK150 BD13203 1

26. Bonnet prop rod

XK120 BD3270 1
XK140 OTS/DHC BD8426 1
XK140 FHC BD10123 1
XK150 early BD13874 1
XK150 late BD13743 1

Bonnet prop socket on inner wing

XK120 BD3271 1

27. Battery clamp

XK140 OTS/DHC BD8710 1
XK140 FHC BD10076 2
XK150 BD10076 2

28. & 29 Battery clamp rod

XK140 FHC BD10301 4
XK140 OTS/DHC short BD8680 1
long BD8679 1
XK150 BD10301 4

Battery door Dzus fastener kit

HW1064 4

Battery area cover XK120 OTS BD3365 1

30. Coil mounting bracket
XK120/140 C5259 1

31. Coil mounting bracket
XK150 C13327 1
XK150S C14156 1

Overdrive relay mounting bracket
Late XK150 C14443 1

Flasher relay mounting bracket
Early XK150 C13378 1

Pedal stem draught excluder

XK150 plate BD13123 1
XK150 felt BD13127 1

32. Radiator splash panel
XK120 BF1001 1

Radiator upper valance panel

XK120 RH BD4631 1
LH BD4630 1

33. Small harness spring clip BF1005/S A/R

34. Medium harness spring clip BF1005/M A/R

35. Large harness spring clip BF1005/L A/R

Cover for multi purpose connector near grille

XK150 C13416 2

36 & 37. Mounting strap for connector block

5 way C2796 1
10 way C2797 1

38, 39, 40. Fuse box cover

XK120 385038 1
XK140 OTS/DHC C8820 1
XK140 FHC C9601 1
XK150 C12864 1

41. Fuse box cover knurled nut

XK120/140/150 C5549 1

42. Dzus fastener kit for battery cover

XK120 OTS HW2015 pair

Individual battery cover with mounting hardware

XK120 OTS C2768/A 2

Battery clamp

XK120 OTS BD3165 2

43. Dzus fastener kit securing battery area front panel

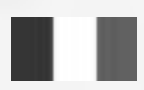
XK120 DHC/FHC HW2014 pair
Hinge for above BD6128 2

Handbrake and gear lever gaiter clip

XK120/140/150 BD7738/1 1

Demister hose 6ft

BF1040 1



General Body Fittings Part 1

Buy on-line at www.sngbarratt.com



44. Transmission dip stick cover plate			
XK120		BD3777	1
XK140/150		BD8279	1
45. Dip stick cover plate fasteners			
		HW1063	pair
Rear bulkhead folding panel hinge			
		BD9441	2
Leather support strap for above			
		BD13884	pair
46. Rear view mirror			
XK120 OTS	1949-53	C5500	1
XK120 OTS	1954	C8151	1
XK120 DHC/FHC	all years	C5501	1
XK140 all models	all years	C8151	1
47. Rear view mirror			
XK150 OTS	to chassis no. 832070	C10997	1
XK150 OTS	chassis no. 832071 on	C14920	1
XK150 DHC	to chassis no. 838230	C10997	1
XK150 DHC	chassis no. 838231 on	C14920/2	1
XK150 FHC	to chassis no. 836218	C12308	1
XK150 FHC	chassis no. 836219 on	C14900	1
48. Door mirror			
		MI1001	2
49. Wing mirror			
	LH	MI1003	1
	RH	MI1002	1
Folding panel budget locks			
XK140 FHC		BD2121	pair
Escutcheon for budget locks			
XK140 FHC		BD10456/7	pair



Headlamp dipswitch bracket		C2837	1
Main floorboards in pairs made from Baltic Birch			
XK120 OTS		U1077	pair
XK120 DHC/FHC		U1080	pair
XK140 OTS/DHC manual		U1076	pair
XK140 OTS/DHC automatic		U2076	pair
XK140 FHC manual		U2162	pair
XK140 FHC automatic		U2163	pair
XK150 manual		U1081	pair
XK150 automatic		U2081	pair
Floorboard retainer plates			
XK120	main floorboards	BD1711	21
XK120	boot floorboards	BD1711	16
Battery box wooden panels			
XK120 DHC	front	U2071	1
XK120 FHC	front	U2073	1
XK120 DHC	assembly	U2072	1
XK120 FHC	assembly	U2074	1
Boot floorboards			
XK120 OTS/FHC		U1079	pair
XK120 DHC		U1079	pair
Jointing strip for above			
		U1063	1
Boot lock strike loops			
XK140/150		BD9432	A/R
Boot inspection plate cage nut			
XK150		BD8483	x 12
Heater door spring under dash			
XK150	RH	BD14703	1
	LH	BD14702	1



+44 (0) 1746 765432
sales.uk@sngbarratt.com



+1 603 622 1050
sales.usa@sngbarratt.com



+33 3 85 201 420
sngbarratt.france@wanadoo.fr

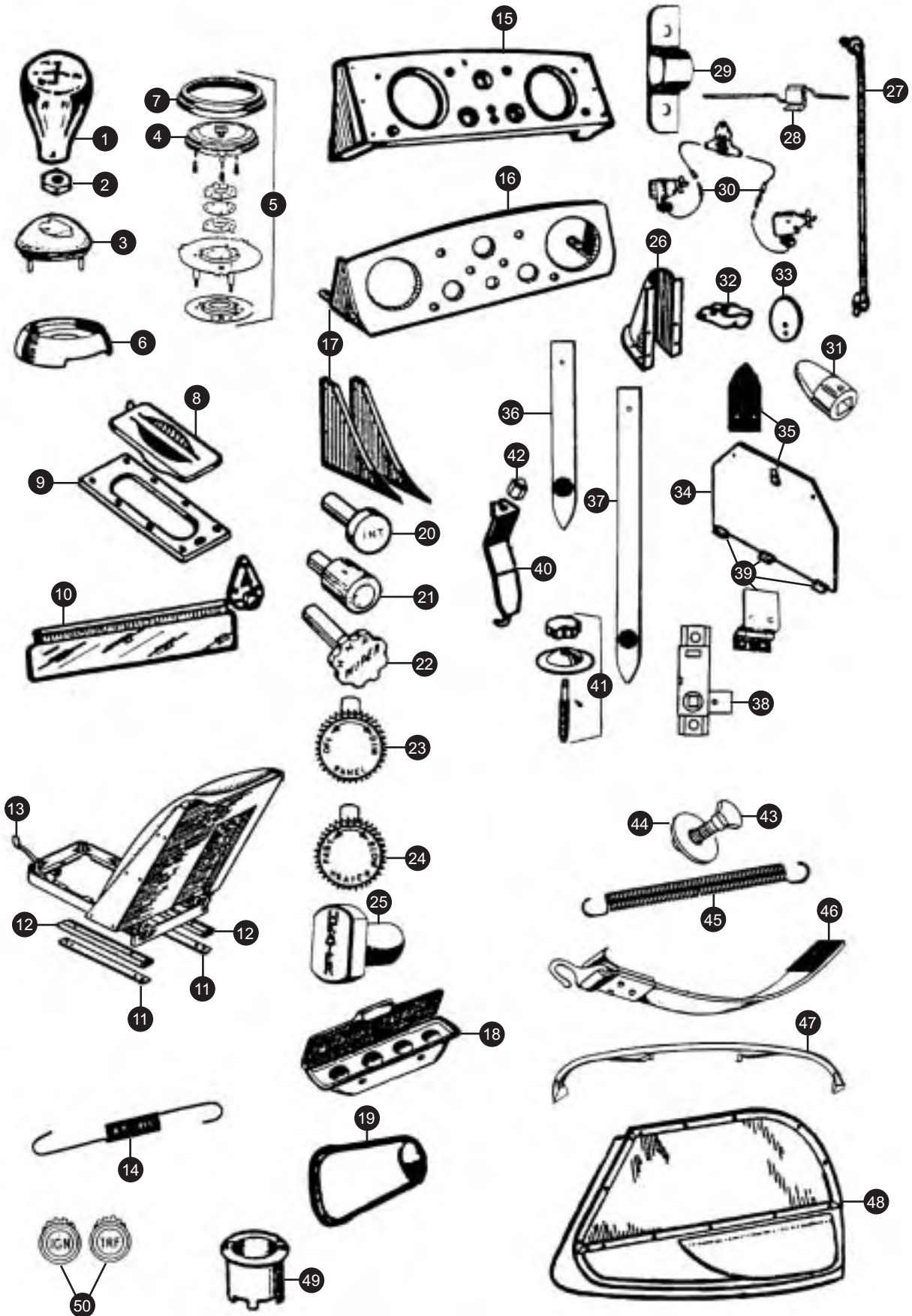


+31 13 52 11 552
verkoop@sngbarratt.com



General Body Fittings Part 2

Buy on-line at www.sngbarratt.com



General Body Fittings Part 2

Buy on-line at www.sngbarratt.com

1. Gear lever knob			
XK120/140/150 early	C2291	1	
XK150 late	C16154	1	
2. Gear knob locknut			
	C1928	1	
3. Horn button			
XK120	2845	1	
4. Horn button			
XK140/150	5934	1	
5. Horn button assembly			
XK140/150	C5531	1	
6. Horn button base			
XK120	2846	1	
7. Horn button base			
XK140/150	5936	1	
8. Jacking hole cover plate in floor			
	BD3037	1	
9. Retainer for above			
	BD3461	1	
10. Sunvisors			
FHC	BD9629	pair	
Seat backrest frame			
XK120	OTS	RH	BD4793
		LH	BD4792
XK120	DHC/FHC	RH	BD9255
		LH	BD9254
XK140	OTS	RH	BD9616
		LH	BD9615
XK140	DHC/FHC	RH	BD9618
		LH	BD9617
Seat cushion frame			
XK120		RH	BD3253
		LH	BD3252
XK140		RH	BD9334
		LH	BD9333
Seat frame pivot bolt			
XK120/140			BD3255
XK150			BD11073
11. Seat anchor plate			
XK120	standard		BD3416
XK120	competition		BD7793
XK140	competition		BD6244
12. Seat slides			
XK120			BD3308/9
XK140/150			BD8816/17
13. Seat slide lever			
XK120/140	RH		BD3259
	LH		BD3258
14. Seat slide lever return spring			
XK120/140			C3317
15, 16 & 17. Dash panels			
<u>XK120</u>			
OTS	fascia	aluminium	BD4606
OTS early	instrument	wood	U2045
OTS late	instrument	wood	U2043
<u>XK140</u>			
OTS	fascia	aluminium	BD8891
OTS	instrument	wood	U2044
OTS	side sections	wood	BD8893/94
Instrument panel chrome bezel kit including warning lamp bezels			
XK120	OTS/FHC early		BK101/E
XK120	OTS/FHC late		BK101/L
XK140			BK102
XK150			BK103
Map drawer slide kit			
XK120	DHC/FHC		BD6697/99
XK140	DHC/FHC		BD8821/23
18. Dash board ashtray			
XK120	DHC/FHC		BD553
XK140	DHC/FHC		BD9151
19. Steering column shroud			
XK120	DHC/FHC		U2070
Instrument panel thumbscrew			
XK140			BD8897
XK150			BD11043
Dash knobs			
20. Interior light switch knob			
XK120/140	FHC		C5483
21. Starter switch knob			
XK120/140			C5480
XK150			C4622
22. Wiper switch knob			
XK120			C5484
XK140			C4664
XK150			C9646
23. Panel lamp rheostat knob			
XK120/140			C5482
24. Heater fan rheostat knob			
			C5485
25. Heater control knob			
XK150	late		BD15260
26. Petrol filler cover			
XK120			BD4184
XK140			BD9625
XK150	early		BD12800
XK150	late		BD15811

+44 (0) 1746 765432
sales.uk@sngbarratt.com+1 603 622 1050
sales.usa@sngbarratt.com+33 3 85 201 420
sngbarratt.france@wanadoo.fr+31 13 52 11 552
verkoop@sngbarratt.com

General Body Fittings Part 2

Buy on-line at www.sngbarratt.com**27. Boot prop rod assembly**

XK120	BD4327	1
XK140	BD9570	1

Boot prop rod and bracket assembly

XK120	BD4327/A	1
XK150 OTS late	BD9570	1
XK150 DHC/FHC	BD16702	1

28. Boot locking rod assembly

XK120	BD4322	1
Guide for above	BD4323	2

29. Boot locking rod socket on body

BD82	2
------	---

30. Boot locking mechanism

XK140	BF2017	1
XK150	BF2016	1

31. Wedge on boot lid push button

XK140/150	BF1068	1
-----------	--------	---

Boot lid hinge spring

XK150 late	6622	4
------------	------	---

32. Clip retaining boot lid prop

BD3839	1
--------	---

33. Disc under boot lid prop clip

BD9160	1
--------	---

Cover plate above rear axle

XK140/150	BD9347/1	1
-----------	----------	---

34. Spare wheel lid

XK140/150	BD9432	1
-----------	--------	---

35. Leather pull tab for spare wheel lid

XK140/150	BD6250	1
-----------	--------	---

36. Leather retaining strap for spare wheel lid

XK140	BD10352	1
-------	---------	---

37. Leather retaining strap for spare wheel lid

XK150	BD13974	1
-------	---------	---

38. Budget locks for spare wheel lid

XK140/150	BD2121	pair
Budget lock eyelets	C4630	2

39. Hinge for spare wheel lid

XK140/150	BD9374	3
Screws for hinge	BD18092/2	21

40 & 41. Spare wheel clamp

XK120 with disc wheels	BD4515	1
XK120 with wire wheels	BD7766	1
XK140/150 with wire wheels	BD9583	1

42. Nut for spare wheel clamp

XK120 with disc wheels	C3864	1
XK120 with wire wheels	BD7782	1

Convertible top frame

XK120 OTS early	BD4727	1
XK120 OTS late	BD5848	1
XK140 OTS	BD5848	1
XK140 DHC	BD8929	1
XK150 OTS	BD14236	1
XK150 DHC	BD16244	1

43. Top frame mounting bolt

XK120 OTS late	BD4730	2
XK140 OTS	BD4730	2
XK150 OTS	BD14376	2

44. Spacer on top frame mounting bolt

XK120 OTS late	BD4731	A/R
XK140 OTS	BD4731	A/R
XK150 OTS	BD14704	A/R

Top frame pivot washer

XK120/140 OTS	BD541/12	2
---------------	----------	---

Top frame mounting shim

XK140/150 DHC	BD8052	A/R
---------------	--------	-----

45. Top frame tension springs

XK140/150 DHC	BD9031	2
---------------	--------	---

46. Top frame hold down strap

XK150 OTS	BD15309	2
-----------	---------	---

47. Hood envelope frame

XK150 OTS	BD14964	1
-----------	---------	---

Roadster rear hold down bar (long top)

XK120	BF1048	1
XK140	BD9567	1
XK150	BF2023	1

48. Side curtain frames

XK120	untrimmed	BD5853/54	pair
XK140	untrimmed	BD8812/13	pair

49. Switch knob chrome bezel

1/2"	C2769	5/8"	C4630	A/R
3/4"	C5645	1 3/16"	C4631	A/R

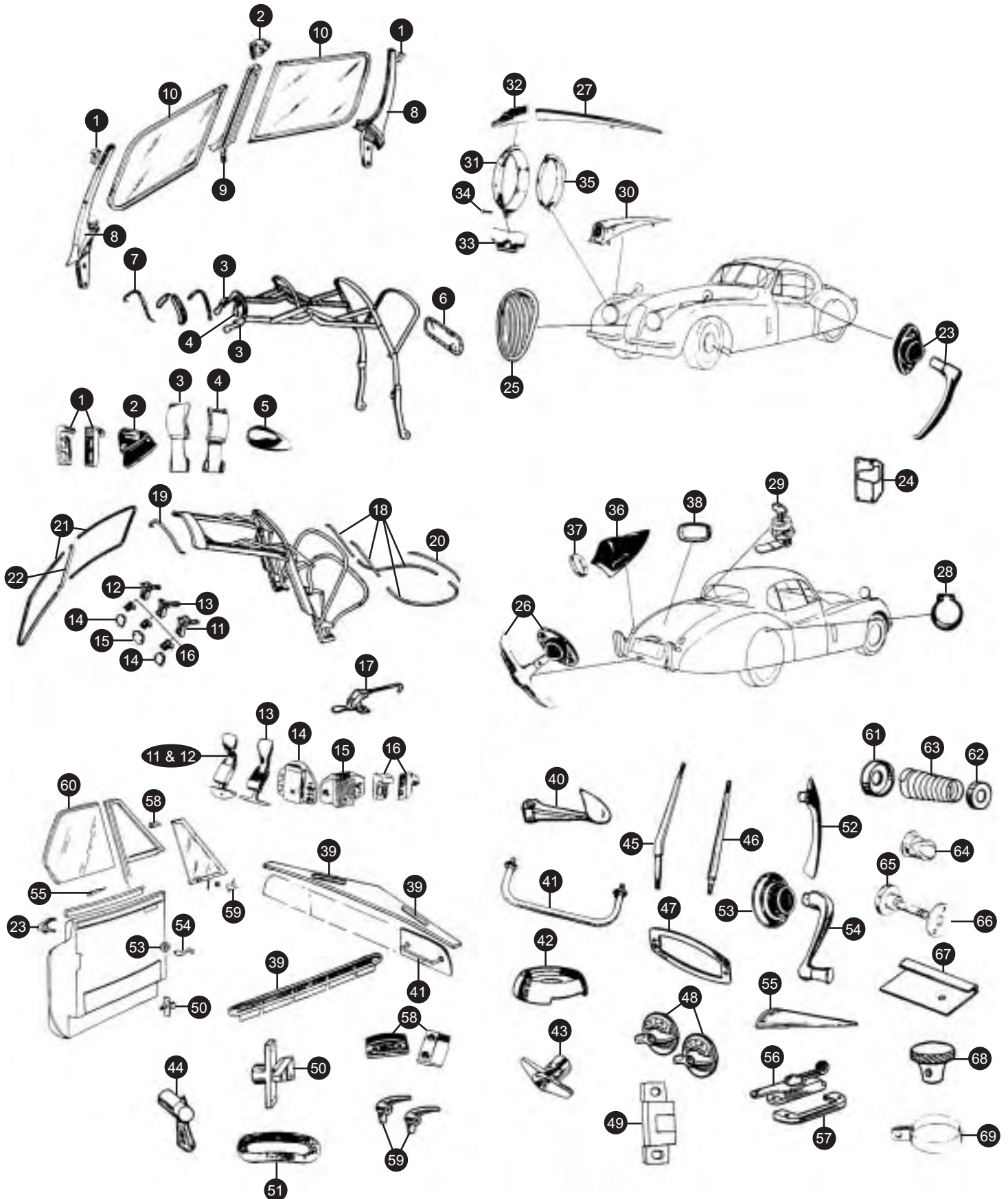
50. Warning light jewels

Ignition	C4625	1
Trafficators	C4626	1



XK120 Chrome Body Fittings

Buy on-line at www.sngbarratt.com



+44 (0) 1746 765432
sales.uk@sngbarratt.com



+1 603 622 1050
sales.usa@sngbarratt.com



+33 3 85 201 420
sngbarratt.france@wanadoo.fr



+31 13 52 11 552
verkoop@sngbarratt.com



XK120 Chrome Body Fittings

Buy on-line at www.sngbarratt.com

Roadster Convertible Top Chrome

1. Windscreen post clips for outer top clamps	BD3545	2
2. Cap on centre windscreen post	BD3239	1
3 & 4 Clamp securing top frame to windscreen		
Outer	BD3541	2
Centre	BD3542	1
5. Tear drop clip holding convertible top rear bar	BD3241	2
6. Rear window chrome frame and plexiglass	BD4405	1
7. Pinbead		
Original style, brass, pre cut, lead filled section with captive nails. After final fitting the pinbead must be given to your plater to be chromium plated. Supplied by us as a straight length.	BD3838	1

Roadster Windscreen Chrome Trim

8. Outer windscreen posts	BD3765/66	pair
9. Centre windscreen post	BD3014	1
10. Screen chrome surround kit	BD3012/3	1
Bracket kit for above	BF1097	1

Drophead Convertible Top Chrome

11, 12 & 13. Top frame to windscreen clamp		
RH	BD8045	1
LH	BD8044	1
Centre	BD8046	1
14 & 15. Top clamp hook serrated plates on canopy rail		
Outer	BD6797	2
Centre	BD6796	1
16. Toggle hook on canopy rail	BD6799	3
Mounting screws plate to rail	BD4863/4	kit
Mounting screws hook to plate	BD8079/2	kit
17. Hood hold down clamps	BD9169/70	pair
Finisher plates for bottom of upper head pillar	BD8002/3	pair
Finisher plates for top of lower head pillar	BD8000/1	pair
Finisher plates for screen pillar capping	BD8004/5	pair
Top frame chrome brace arm	CR1026	2
Spacer for chrome arm	CR1027	2
Rear window chrome frame and plexiglass	BD6760	1

18. Rear pin bead kit

Original style, brass, including 2 sections for the head pillar and 2 pre formed sections that join in the centre below the rear window running to the bottom of the head pillar, with loose nails.

Nails can be inserted with a standard blow torch. After final fitting the pinbead must be given to your plater to be chromium plated.

	BD6772/75	1
19. Front bow pin bead		
Lead filled brass with captive nails	BD6777	1
20. Rear bow pin bead		
Lead filled brass with captive nails	BD6776	1
21 & 22 Windscreen finishers		
DHC	RH & LH	BD7961/62 pair
FHC late	RH & LH	BD7961/62 pair
DHC late	centre	BD7963 1
FHC late	centre	BD7963 1
23. Outer door handle		
DHC/FHC		BD8065/6 pair
As item 1, but with locks and matching keys		
DHC/FHC		BD8065/66A set
As item 1, but with cubby box, fuel lid, ignition and boot lid locks all matched to one key.		
DHC/FHC		CR1038 set
24. Chrome cover plate for door latch		
DHC/FHC	RH	BD5980 1
	LH	BD5979 1
25. Radiator grille		BD2877 1
26. Boot lid handle		BD3266 1
27. Headlamp pod spear		BD2561 2
28. Budget lock cover on spat		2312 2
29. Petrol filler door lock with keys		BD4360 1
30. Bolt on sidelamp housing		
OTS early		C2881 2
31. Outer headlamp rim with motif		3453 2
32. Headlamp rim motif upper		553620/T 2
33. Headlamp rim motif lower		553620/B 2
34. Headlamp rim screw		5294 2
Headlamp rim screw retainer		552796/N 2
35. Headlamp inner retaining rim		
7" sealed beam unit		552686/S 2
PF770 unit		552686 2
36. Tail lamp housings		BD4529/30 pair
37. Tail lamp lens rim		3485 2
38. Boot lamp rim		3413 1
39. Defroster vent escutcheon		BD6429 2
40. Directional switch lever		2879 1
41. Grab handle	OTS	BD4660 1
42. Horn button base		2846 1
Cubby box hinge		BD573 2
Cubby box handle		BD16604 1
43. Lighting switch knob	OTS early	C2757/K 1



XK120 Chrome Body FittingsBuy on-line at www.sngbarratt.com

Jaguar

again makes motoring history!

**THE FASTEST SPEED EVER
RECORDED BY A PRODUCTION CAR**

★ **132.6 m.p.h.**

On May 30th, 1949, an entirely standard Jaguar 3½ litre XK 120 Super Sports Car, running on pump petrol, was officially timed in attaining this speed over a flying mile. This achievement, observed and recorded by the Royal Automobile Club of Belgium on the Jubilee Motor Road, has gained for Jaguar 4 Belgian Speed Records and is the fastest speed ever recorded by a standard production car.

★ Revised in 1988

44. Lever for lighting switch	OTS late	C5481	1
45. Cranked type gear lever		C2462	1
For cars without radio			
46. Straight type gear lever		C4054	1
For cars with radio			
47. Boot lamp rim		3413	1
Boot lamp switch operating lever		C4073	1
48. Door lock knob			
OTS	RH	BD4241	1
	LH	BD4240	1
Screw for door lock knob		BD4242	2
49. Door striker	OTS	BD2930	2
Screw for door striker		C4391	4
50. Door dovetail striker			
OTS		BD2941/42	pair
DHC/FHC	RH	2311/1	1
	LH	2310/1	1
Screws for striker	DHC/FHC	BD1491/1K	kit

51. Door lanyard pin escutcheon			
OTS		BD3560	2
Rivets for escutcheon		HW1060	pack
Clip on forward end of lanyard		BD3556	2
52. Interior door handle			
DHC		BD7855	2
FHC early		BD6	2
FHC late		BD7855	2
53. Interior door handle/window winder escutcheon			
DHC/FHC		BD552/1	2
54. Window winder handle			
DHC/FHC		BD2233	2
55. Finger pull on door capping			
DHC/FHC		BD8548	2
56. Rear quarter light catch			
FHC	RH	BD20087	1
	LH	BD20086	1
57. Cover for rear quarter light catch			
FHC		BD5434	2
58. Front quarter light catch plate			
DHC/FHC		BD3991	2
59. Front quarter light handle			
DHC/FHC	RH	BD3982	1
	LH	BD3981	1
Handbrake lever & knob		C3714	1
60. Chrome channel on door glass			
DHC		BD6786	2
Door rear glass channel inside door			
DHC	RH	BD9115	1
	LH	BD9116	1
61. Large steering column spring cup		C3366	1
62. Small steering column spring cup		C3386	1
63. Steering column conical spring		C1024	1
64. Chrome plug for D roll ends			
OTS		BD3630	8
65. Side curtain knob			
OTS		BD3429	4
66. Base plate for side curtain knob		BD3428	4
67. Carpet retainer on sill			
OTS		BD4741	A/R
Top frame mounting bolt			
OTS early		BD3342	
68. Heater valve knob		C4393	1
69. Spark plug lead clip		C4982	1



+44 (0) 1746 765432
sales.uk@sngbarratt.com



+1 603 622 1050
sales.usa@sngbarratt.com



+33 3 85 201 420
sngbarratt.france@wanadoo.fr

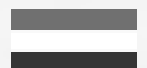
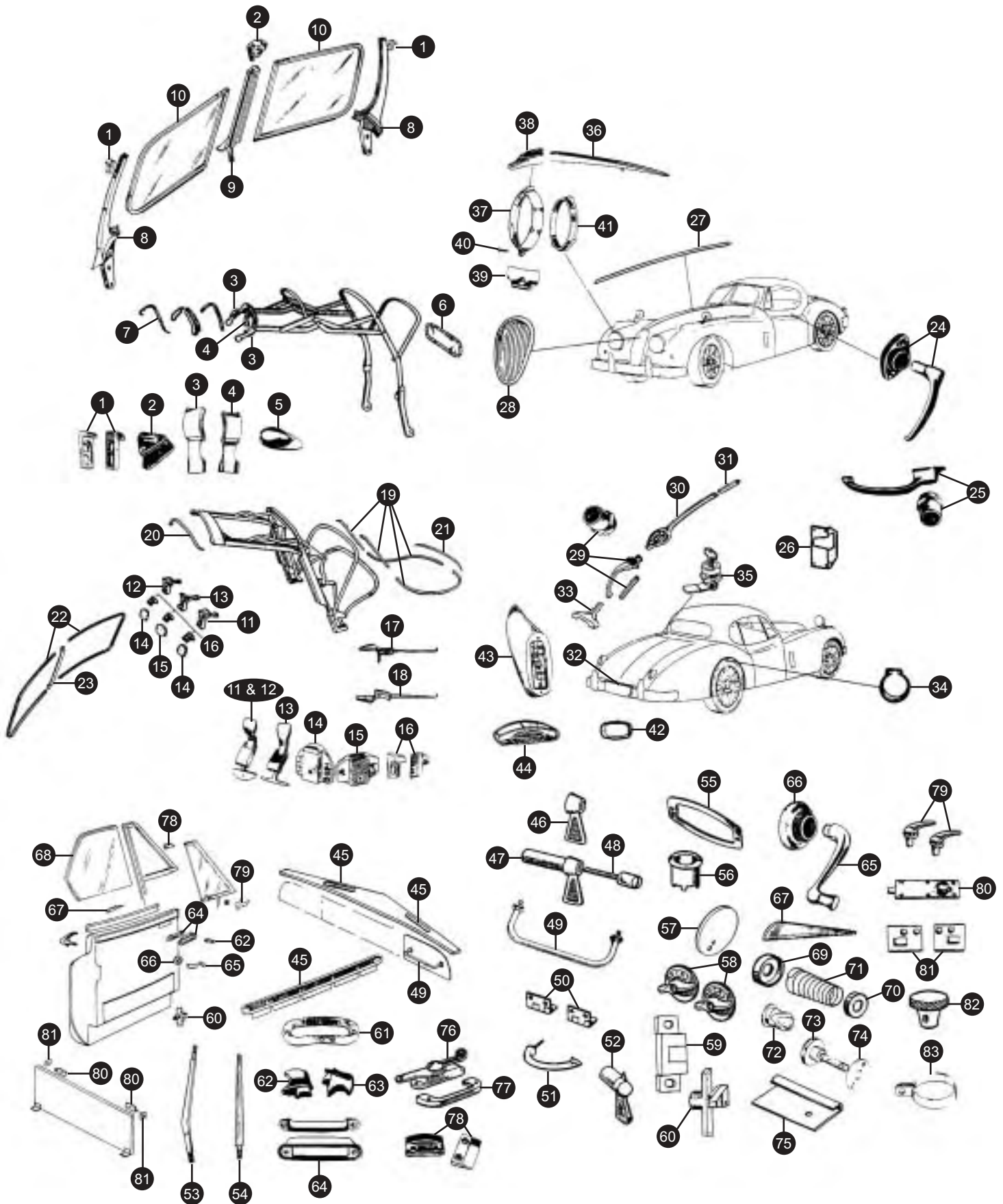


+31 13 52 11 552
verkoop@sngbarratt.com



XK140 Chrome Body Fittings

Buy on-line at www.sngbarratt.com



XK140 Chrome Body Fittings

Buy on-line at www.sngbarratt.com

Roadster Convertible Top Chrome

1. Windscreen post clips for outer top clamps	BD3545	2
2. Cap on centre windscreen post	BD3239	1
3 & 4 Clamp securing top frame to windscreen		
Outer	BD3541	2
Centre	BD3542	1
5. Tear drop clip holding convertible top rear bar	BD3241	2
6. Rear window chrome frame and plexiglass	BD4405	1

7. Pinbead

Original style, brass, pre cut, lead filled section with captive nails. After final fitting the pinbead must be given to your plater to be chromium plated. Supplied by us as a straight length.

BD3838	1
--------	---

Roadster Windscreen Chrome Trim

8. Outer windscreen posts	BD3765/66	pair
9. Centre windscreen post	BD3014	1
10. Windscreen chrome surround kit	BD3012/3	pair
Bracket kit for above	BF1097	1

Drophead Convertible Top Chrome

11, 12 & 13. Top frame to windscreen clamp		
RH	BD8045	1
LH	BD8044	1
Centre	BD8046	1

14 & 15. Top clamp hook serrated plates on canopy rail

Outer	BD6797	2
Centre	BD6796	1

16. Toggle hook on canopy rail	BD6799	3
Mounting screws plate to rail	BD4863/4	kit
Mounting screws hook to plate	BD8079/2	kit

17 & 18 Hood hold down clamps

RH	BD16402	1
LH	BD16401	1

Finisher plates for bottom of upper head pillar

BD8002/3	pair
----------	------

Finisher plates for top of lower head pillar

BD8000/1	pair
----------	------

Finisher plates for bottom of upper head pillar

BD8002/3	pair
----------	------

Finisher plates for screen pillar capping

BD8004/5	pair
----------	------

Top frame chrome brace arm	CR1026	2
Spacer for chrome arm	CR1027	2

Rear window chrome frame and plexiglass	BD6760	1
--	--------	---

19. Rear pin bead kit

Original style, brass, including 2 sections for the head pillar and

2 pre formed sections that join in the centre below the rear window running to the bottom of the head pillar, with loose nails. Nails can be inserted with a standard blow torch. After final fitting the pinbead must be given to your plater to be chromium plated.

BD6772/75	1
-----------	---

20. Front bow pin bead

Lead filled brass with captive nails	BD6777	1
--------------------------------------	--------	---

21. Rear bow pin bead

Lead filled brass with captive nails	BD6776	1
--------------------------------------	--------	---

22 & 23 Windscreen finishers

DHC/FHC	RH & LH	BD7961/62	pair
DHC/FHC	centre	BD7963	1

24. Outer door handle

DHC/FHC	RH	BD8065	1
	LH	BD8066	1

25. As item 1, but with locks and matching keys

DHC	BD8065/66A	pair
FHC	NLA	

As item 1, but with cubby box, fuel lid, ignition and boot lid locks all matched to one key.

DHC/FHC	CR1038	pair
---------	--------	------

26. Chrome cover plate for door latch

DHC/FHC	RH	BD5980	1
	LH	BD5979	1

27. Bonnet centre finisher

OTS/DHC	BD9213	1
FHC	BD9779	1

28. Radiator grille	BD9262	1
----------------------------	--------	---

29. Boot lid handle complete	BD11265	1
-------------------------------------	---------	---

30. Boot lid centre finisher	BD9090	1
-------------------------------------	--------	---

31. Rear tonneau finisher		
----------------------------------	--	--

OTS	BD9566	1
-----	--------	---

DHC/FHC	BD9565	1
---------	--------	---

32. No plate panel finisher	BD9945	1
------------------------------------	--------	---

33. Reverse lamp gooseneck mtg	BD10245	1
---------------------------------------	---------	---

34. Budget lock escutcheon on spat	2312	2
---	------	---

35. Petrol filler door lock with keys	BD4360	1
--	--------	---

36. Headlamp pod spear	BD2561	2
-------------------------------	--------	---

37. Outer headlamp rim without motif	5299	2
---	------	---

38. Headlamp rim motif upper	554903/T	2
-------------------------------------	----------	---

39. Headlamp rim motif lower	553620/B	2
-------------------------------------	----------	---

40. Headlamp rim screw	5294	2
-------------------------------	------	---

41. Inner headlamp rim	5301	2
-------------------------------	------	---

Foglamp pillar	BD9240	2
-----------------------	--------	---

42. Boot lamp rim	3413	1
--------------------------	------	---

43. Tail lamp housings	LH	C5518	1
-------------------------------	----	-------	---

	RH	C5519	1
--	----	-------	---



+44 (0) 1746 765432
sales.uk@sngbarratt.com



+1 603 622 1050
sales.usa@sngbarratt.com



+33 3 85 201 420
sngbarratt.france@wanadoo.fr



+31 13 52 11 552
verkoop@sngbarratt.com



XK140 Chrome Body Fittings

Buy on-line at www.sngbarratt.com

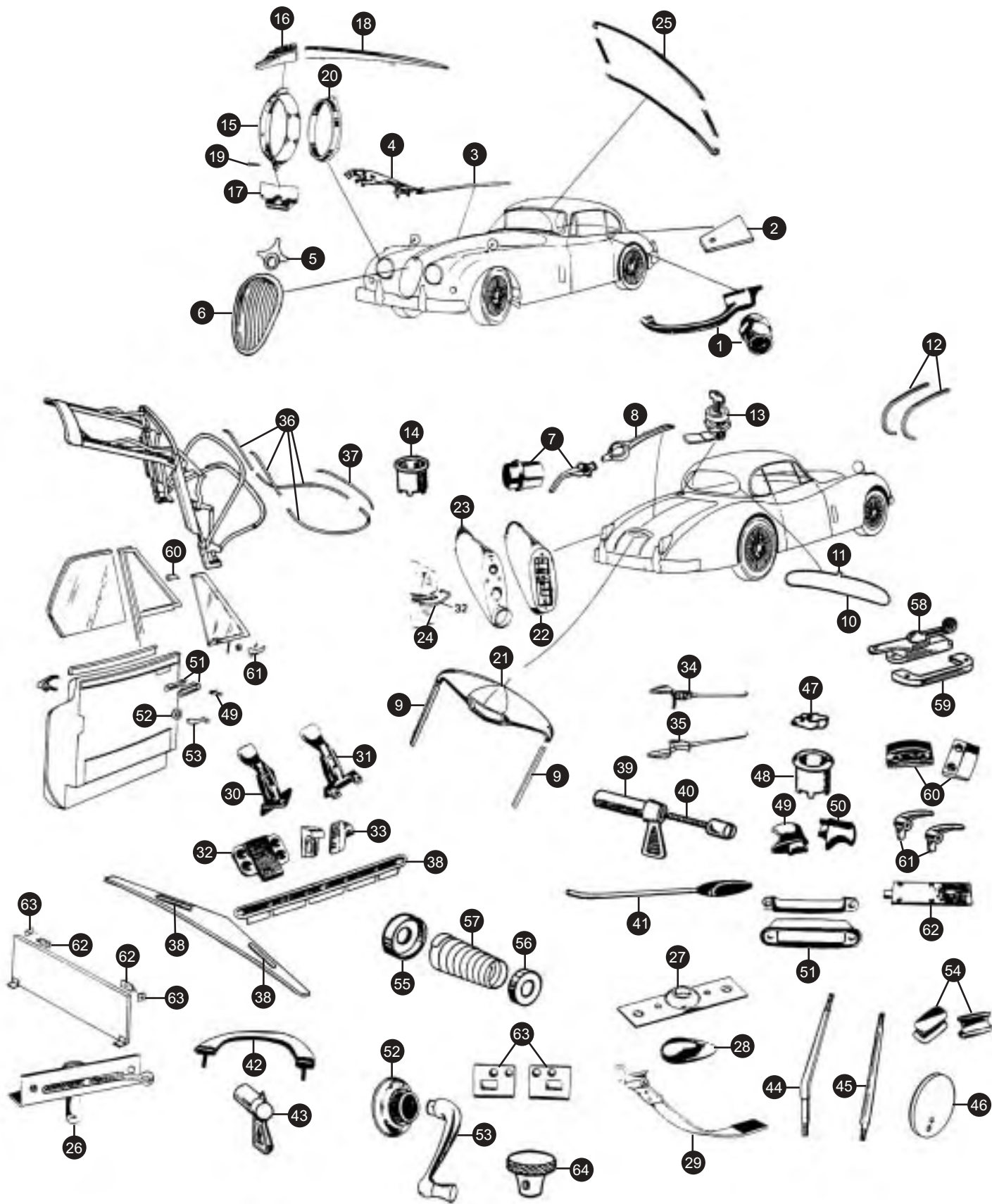
44. Cover assembly with lens for reverse/number plate lamp		3479	1					
45. Defroster vent escutcheon		BD6429	2					
46 & 47. Directional switch lever								
OTS		C10832	1					
DHC/FHC		C10831	1					
48. Screw securing switch lever		C11936						
49. Grab handle and washers	OTS	BD4660						
50. Cubby box hinge	DHC/FHC	BD573						
51. Cubby box handle	DHC/FHC	BD16604						
52. Lever for lighting switch		C5481						
53. Cranked type gear lever								
For cars without radio		C2462	1					
54. Straight type gear lever								
For cars with radio		C4054	1					
Lock nut for gearknob		C1928	1					
55. Boot lamp rim		3413	1					
Boot lamp switch operating lever		C4073	1					
Spare wheel lid pull tab clip		BD3556	1					
56. Spare wheel cover budget lock eyelet								
		BD4630	2					
57. Boot lid prop chrome disc		BD9160	1					
58. Door lock knob								
OTS	RH	BD4241	1					
	LH	BD4240	1					
Screw for door lock knob		BD4242	2					
59. Door striker	OTS	BD2930	2					
Screw for door striker		C4391	4					
60. Door dovetail striker								
OTS		BD2941/42	pair					
DHC	RH	2311/1	1					
	LH	2310/1	1					
Screw for striker	DHC/FHC	BD1491/1	8					
61. Door lanyard pin escutcheon								
OTS		BD3560	2					
Rivets for escutcheon		HW1060	pack					
Door latch pin		CR1037	2					
Clip on forward end of lanyard		BD3556	2					
62 & 63. Interior door knob								
DHC/FHC	RH	BD8964	1					
	LH	BD8963	1					
64. Door knob escutcheon								
DHC/FHC		BD9263/64	pair					
65. Window winder handle								
DHC/FHC		BD2233	2					
66. Window winder escutcheon								
DHC/FHC		BD552/1	2					
67. Finger pull on door capping								
DHC		BD8548	2					
68. Chrome channel on door glass								
DHC		BD6786	2					
Door rear glass channel inside door								
DHC	RH	BD9115	1					
	LH	BD9116	1					
69. Large Steering column spring cup		C3366	1					
70. Small steering column spring cup		C8576	1					
71. Steering column conical spring		C1024	1					
72. Chrome plug for D roll ends								
OTS		BD3630	8					
73. Side curtain knob								
OTS		BD3429	4					
74. Base plate for side curtain knob		BD3428	4					
75. Carpet retainer on sill								
OTS		BD9935	A/R					
Escutcheon for hinged panel budget locks								
FHC		BD10456/7	pair					
76. Rear quarter light catch								
FHC	RH	BD20087	1					
	LH	BD20086	1					
77. Cover for quarter light catch								
FHC		BD5434	2					
78. Front quarter light catch plate								
DHC/FHC		BD3991	2					
79. Front quarter light handle								
DHC/FHC	RH	BD3982	1					
	LH	BD3981	1					
80. Slide bolt for hinged panel								
OTS/DHC		BD9395	2					
81. Strike plate for slide bolts		BD9912	2					
82. Heater valve knob		C4393	1					
83. Spark plug lead clip		C4982	1					





XK150 Chrome Body Fittings

Buy on-line at www.sngbarratt.com



+44 (0) 1746 765432
sales.uk@sngbarratt.com



+1 603 622 1050
sales.usa@sngbarratt.com



+33 3 85 201 420
sngbarratt.france@wanadoo.fr



+31 13 52 11 552
verkoop@sngbarratt.com



XK150 Chrome Body Fittings

Buy on-line at www.sngbarratt.com

Door top finisher

OTS	RH	BD14953	1
	LH	BD14952	1

1. Outer door handle with button

All models		BD10613/14	2
------------	--	------------	---

Matched lock set including 2 doors, cubby box, ignition and boot lid locks all matched to one key.

All models		BF1075	1
------------	--	--------	---

2. Finisher at rear top corner of doors

OTS		BD15433/34	pair
-----	--	------------	------

3. Bonnet centre finisher

OTS	without leaping cat	BD14447	1
DHC/FHC	without leaping cat	BD13523	1

DHC/FHC	with leaping cat	long	BD19466	1
OTS	with leaping cat	short	BD19465	1

4. Leaping cat mascot on bonnet		BD10954	1
---------------------------------	--	---------	---

5. Front grille boss for badge		BD15390	1
--------------------------------	--	---------	---

6. Radiator grille		BD13022	1
--------------------	--	---------	---

7. Boot lid handle and button		BD15590	1
-------------------------------	--	---------	---

Locking barrel for boot lid handle		BF1024	1
------------------------------------	--	--------	---

8. Boot lid centre finisher		BD12984	1
-----------------------------	--	---------	---

9. No plate panel side finishers

9" early	BD14908E	pair
10" late	BD14908	pair

10. Rear window finisher

FHC		BD12616	1
-----	--	---------	---

11. Rear window finisher joint clip

FHC		BD5366/1	1
-----	--	----------	---

12. Gutter mouldings

FHC		BD13286/87	pair
-----	--	------------	------

13. Petrol filler door lock with keys		BD4360	1
---------------------------------------	--	--------	---

14. Spare wheel cover budget lock eyelet		BD4630	2
--	--	--------	---

15. Outer headlamp rim without motif		5299	2
--------------------------------------	--	------	---

16. Headlamp rim motif upper		554903/T	2
------------------------------	--	----------	---

17. Headlamp rim motif lower		553620/B	2
------------------------------	--	----------	---

18. Headlamp pod spear		BD2561	2
------------------------	--	--------	---

19. Headlamp rim screw		5294	2
------------------------	--	------	---

20. Inner headlamp rim		5301	2
------------------------	--	------	---

21. Housing for reverse/numberplate lamp		5308	1
--	--	------	---

Foglamp pillar		BD9240	2
----------------	--	--------	---

22 & 23. Tail lamp housings

Early one piece lens type

All models	LH	C5518	1
	RH	C5519	1

Later two piece lens type

All models	LH	8311	1
	RH	8312	1

24. Tail lamp lens finisher

later cars		8174	2
------------	--	------	---

Tail lamp lens chrome screw		8082	2
-----------------------------	--	------	---

25. Windscreen chromes

FHC/DHC	Upper	BD13131	1
	Lower	BD13132	1
	Sides	BD13133/4	pair

OTS	Upper	BD14018	1
-----	-------	---------	---

Lower		BD13132	1
-------	--	---------	---

Sides		BD13785/86	pair
-------	--	------------	------

Roadster Convertible Top Chrome

26. Clamp securing top frame to windscreen

LH or RH		BD14577	1
----------	--	---------	---

27. Top clamp socket		BD14939	2
----------------------	--	---------	---

28. Tear drop clip holding convertible top rear bar		BD3241	2
---	--	--------	---

Rear bow finisher		BD15074	1
-------------------	--	---------	---

29. Hood hold down hook & strap assembly

OTS		BD15309	2
-----	--	---------	---

DHC Convertible Top Chrome

30 & 31. Top to windscreen clamp

Early type with 3 mounting screws		BD13402	2
-----------------------------------	--	---------	---

Late type with 4 mounting screws		BD16134	2
----------------------------------	--	---------	---

32. Top clamp hooks serrated plate		BD13405	2
------------------------------------	--	---------	---

33. Toggle clamp canopy rail hook		BD6799	2
-----------------------------------	--	--------	---

Mounting screws plate to rail		BD4863/4	kit
-------------------------------	--	----------	-----

Mounting screws hook to plate		BD8079/2	kit
-------------------------------	--	----------	-----

34 & 35. Hood hold down clamps

RH		BD16402	1
----	--	---------	---

LH		BD16401	1
----	--	---------	---

Head pillar lower plate kit		CR1052	1
-----------------------------	--	--------	---

36. Rear pin bead kit

Original style, brass, including 2 sections for the head pillar and 2 pre formed sections that join in the centre below the rear window running to the bottom of the head pillar, with loose nails. Nails can be inserted with a standard blow torch. After final fitting the pinbead must be given to your plater to be chromium plated.

		BD13462/65	1
--	--	------------	---

37. Rear bow pin bead shaped to fit with finished ends

Lead filled brass with captive nails		BD13461	1
--------------------------------------	--	---------	---

Windscreen finishers

OTS	upper		BD14018	1
-----	-------	--	---------	---

OTS	side pillar	RH		BD13786	1
-----	-------------	----	--	---------	---

LH				BD13785	1
----	--	--	--	---------	---

DHC/FHC	upper			BD13131	1
---------	-------	--	--	---------	---

DHC/FHC	side pillars			BD13133/4	pair
---------	--------------	--	--	-----------	------

All models	lower			BD13132	1
------------	-------	--	--	---------	---



+44 (0) 1746 765432
sales.uk@sngbarratt.com



+1 603 622 1050
sales.usa@sngbarratt.com



+33 3 85 201 420
sngbarratt.france@wanadoo.fr



+31 13 52 11 552
verkoop@sngbarratt.com

XK150 Chrome Body FittingsBuy on-line at www.sngbarratt.com

38. Defroster vent escutcheon Early cars only	BD6429	2
39. Directional switch lever DHC/FHC early cars only	C10831	1
40. Screw securing switch lever	C11936	1
41. Column mounted indicator chrome arm and knob All models late cars only	C13958/K	1
42. Grab handle	BD13548	1
Cubby box hinge DHC/FHC	BD573	2
43. Lever for lighting switch	C15450	1
44. Cranked type gear lever For cars without radio	C2462	1

45. Straight type gear lever For cars with radio	C4054	1	
Lock nut for gearknob	C1928	1	
Spare wheel lid pull tab clip	BD3556	1	
46. Chrome disc under boot lid prop clip	BD9160	1	
47. Boot lid prop clip	BD3839	1	
48. Spare wheel cover budget lock eyelet	C4630	2	
Door panel top finisher DHC/FHC	BD13818	single	
OTS	BD14761/62	pair	
49 & 50. Interior door knob All models	RH LH	BD8964 BD8963	1 1
51. Door knob escutcheon All models		BD9263/64	pair
52. Window winder escutcheon		BD552/1	2
53. Window winder handle		BD2233	2
54. Door ashtray knob early cars		BD12437	2
Rear glass channel in door DHC	RH LH	BD13538 BD13537	1 1
55. Large Steering column spring cup	C3366	1	
56. Small steering column spring cup	C8576	1	
57. Steering column conical spring	C1024	1	
58. Rear quarter light catch FHC	RH LH	BD20087 BD20086	1 1
59. Cover for quarter light catch FHC		BD5434	2
60. Front quarter light catch plate DHC/FHC		BD3991	2
61. Front quarter light handle DHC/FHC	RH LH	BD3982 BD3981	1 1
62. Slide bolt for hinged panel		BD9395	2
63. Strike plate for slide bolts		BD9912	2
Strike plate for door switch DHC/FHC		C14273	2
64. Heater valve knob Early cars		C4393	1
Late cars		BD15260	1



+44 (0) 1746 765432
sales.uk@sngbarratt.com



+1 603 622 1050
sales.usa@sngbarratt.com



+33 3 85 201 420
sngbarratt.france@wanadoo.fr



+31 13 52 11 552
verkoop@sngbarratt.com

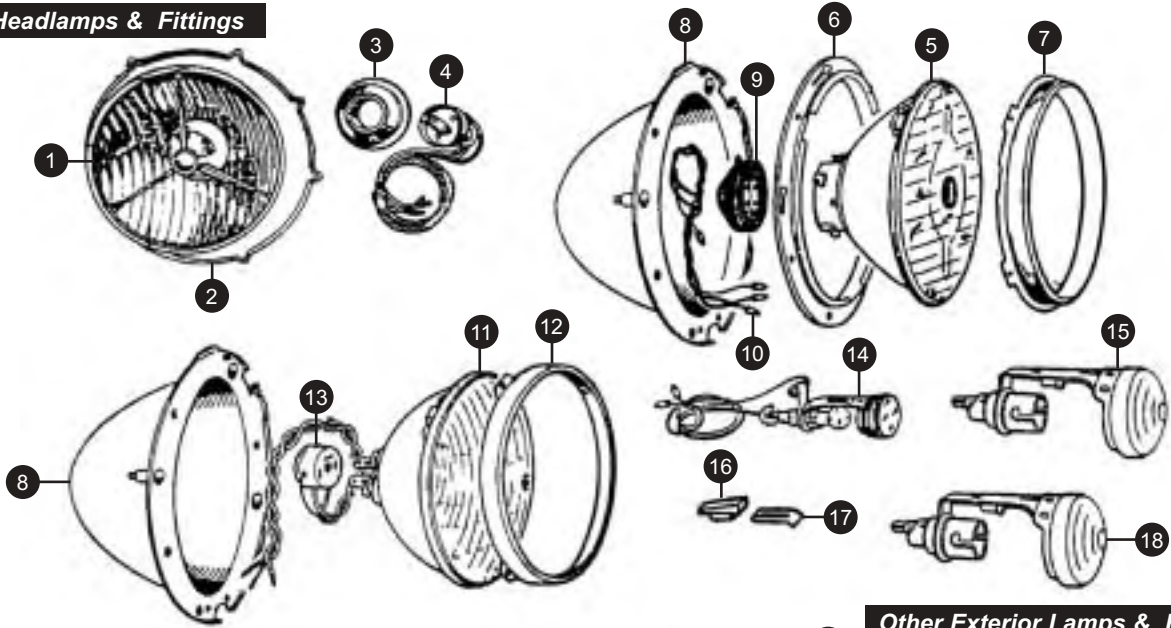


Lamps & Lighting

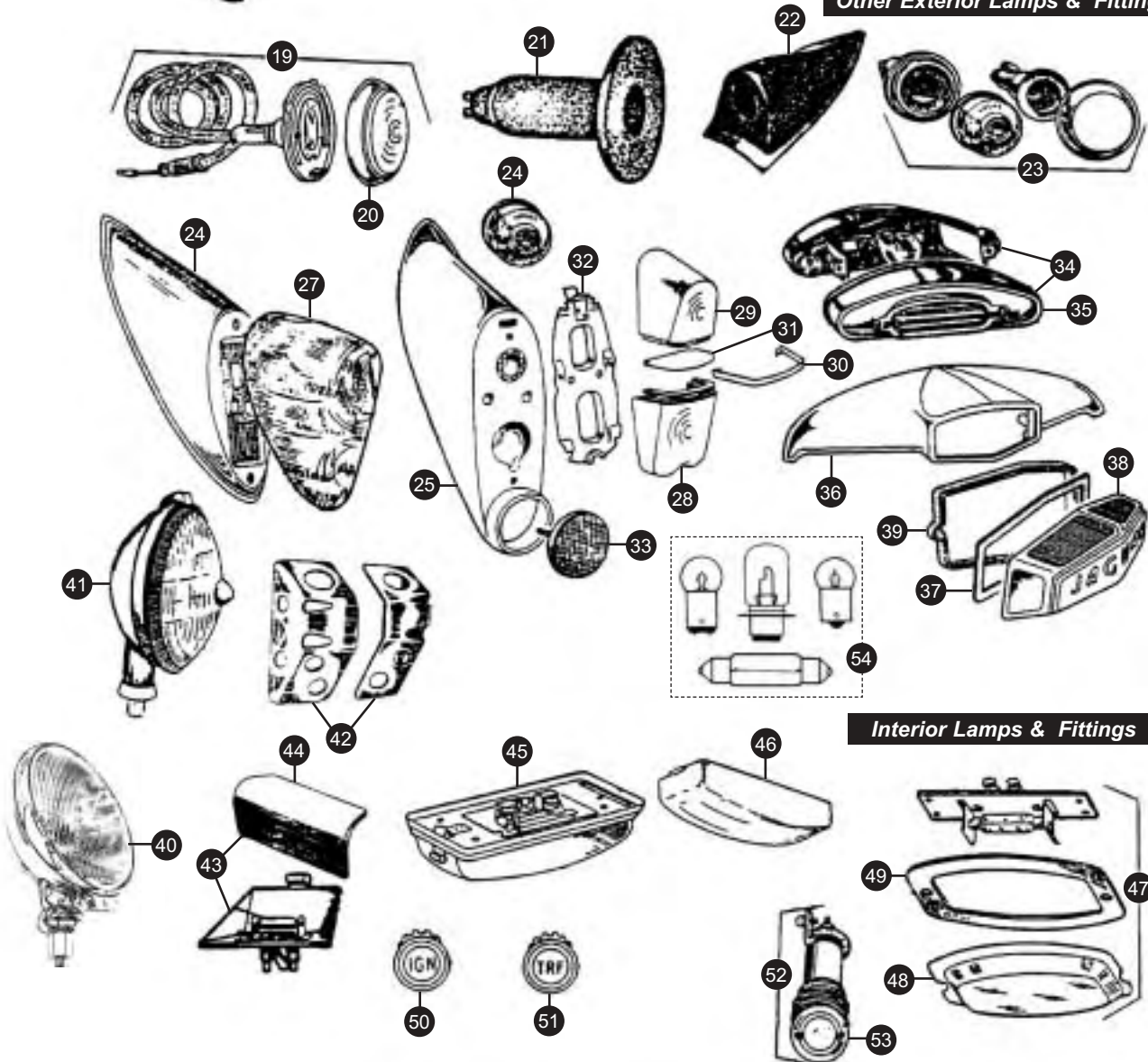
Buy on-line at www.sngbarratt.com



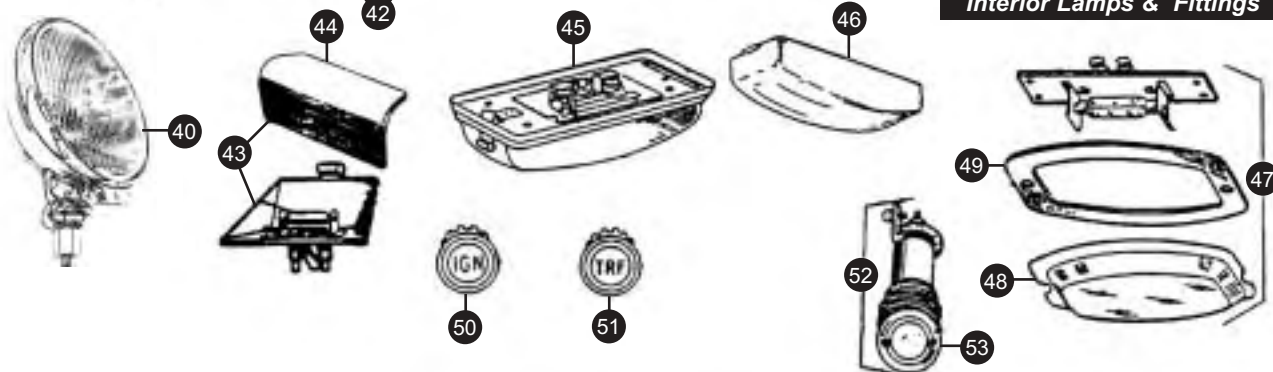
Headlamps & Fittings



Other Exterior Lamps & Fittings



Interior Lamps & Fittings



Lamps & Lighting

Buy on-line at www.sngbarratt.com**XK120 PF770 headlamps**

1. PF770 headlamps	C2625/3	pair
2. Headlamp retaining spring	3431	2
3. Bulb holder	3447	2
4. Bulb connector	3581	2

Items not illustrated

Headlamp mounting ring	3450	2
PF770 headlamp mounting hardware kit	EL1061	1
Inner headlamp mounting ring	552686	2

XK140/150 J headlamps

5. J lamp unit	5304	2
6. Lamp mounting ring	5302	2
7. Lamp retaining ring	5301	2
8. Headlamp bucket	6670	2
9. Bulb holder without wires	5298	2
10. Headlamp wires	3454	2

XK120, XK140 & XK150 sealed beam headlamps

8. Headlamp bucket		
XK140/150	6670	2

10. Headlamp wires	3454	2
11. Sealed beam lamp unit		
All models	6014	2

12. Headlamp retaining ring		
XK120	552686/S	2

Items not illustrated

Headlamp mounting ring		
XK120 only	3450	2
Headlamp mounting hardware kit	EL1061	1

Front lamps**14. Sidelamp**

XK120 OTS early with bolt on sidelamp housing	C14929	2
---	--------	---

XK120 late OTS & DHC/FHC	C4554/1	2
--------------------------	---------	---

15. Sidelamp

XK140/150	C4517	2
-----------	-------	---

16. Red tell tale lens

XK120/140/150	C4691	2
---------------	-------	---

17. Red tell tale lens clip

XK120/140/150	C4098/2	2
---------------	---------	---

18. Side/flasher lamp

XK120 late with weld on sidelamp housing	C4554/1	2
--	---------	---

19. Front flasher lamp assembly

XK140/150 Amber	C15430	2
XK140/150 Clear	C15431	2

20. Front flasher lamp lens and rim

XK140/150 Amber	5322	2
XK140/150 Clear	7667	2

21. Rubber boot for flasher lamp

XK140/150	C9926	2
-----------	-------	---

XK120 rear lamps

22. Rear lamp chrome housing	BD4529/30	pair
------------------------------	-----------	------

23. Bulb socket, boot lens & rim assembly	C2993/1	2
---	---------	---

26. Stop and flasher lens	3484	2
---------------------------	------	---

XK140 rear lamps

24. Rear lamp chrome housing		
LH	C5518	1
RH	C5519	1

27. Rear lamp lens	5316	2
--------------------	------	---

XK150 rear lamps

24. Rear lamp chrome housing (early one piece lens type)		
LH	C5518	1
RH	C5519	1

25. Rear lamp chrome housing (later two piece lens type)

LH	8311	1
RH	8312	1

27. Rear lamp lens (early one piece lens type)	5316	2
--	------	---

28. Red rear stop lamps lens	8081	2
------------------------------	------	---

29. Rear flasher lamp lens		
Amber	8080	2
Red	8089	2

30. Rear lamp lens chrome divider	8174	2
-----------------------------------	------	---

31. Rear lamp lens divider shield	8286	2
-----------------------------------	------	---

32. Rear lamp lens base plate	8287	2
-------------------------------	------	---

33. Rear lamp reflector	9322	2
-------------------------	------	---

34. Number plate/reverse lamp		
XK120/140	C2838	1

35. Number plate/reverse lamp lens		
XK120/140	3479	1

36. Number plate/reverse lamp chrome housing		
XK150	5308	1

37. Reverse lamp lens gasket		
XK150	3488	1

38. Reverse lamp lens		
XK150	3487	1

37. Reverse lamp gasket		
XK150	3489	1



+44 (0) 1746 765432
sales.uk@sngbarratt.com



+1 603 622 1050
sales.usa@sngbarratt.com



+33 3 85 201 420
sngbarratt.france@wanadoo.fr



+31 13 52 11 552
verkoop@sngbarratt.com



Lamps & Lighting

Buy on-line at www.sngbarratt.com



40. XK120 fog & driving lamps			
Fog lamp	FT700	2	
Driving lamp	LR700	2	
41. XK140/150 fog & driving lamps			
Fog lamp	FT576	2	
Driving lamp	LR576	2	
42. Fog & driving lamp mounting brackets			
XK120	FT700/LR700	C2985/6	pair
42. Fog & driving lamp mounting brackets			
XK140/150	SFT/SLR	BD9242/43	pair
Mounting nut		5220	2
Mounting grommet		C8297	2
43. FHC interior lamp in rear quarters			
XK120/140/150	RH	BD5368	1
	LH	BD5367	1
44. FHC interior lamp lens			
XK120/140/150	RH	63	1
	LH	64	1

FHC interior lamp metal housing			
XK120/140/150	RH	BF1088/R	1
	LH	BF1088/L	1
45. Interior lamp assembly			
XK120/140/150	DHC models	C18347	1
46. Interior lamp light lens			
XK120/140/150	DHC models	BD14049/1	1
47. Boot lamp assembly			
XK120/140		BD826	1
48. Boot lamp lens only			
XK120/140		3414	1
49. Boot lamp rim only			
XK120/140		3413	1
50. Red ignition lamp warning lens in instrument panel			
XK120/140		C4625	1
51. Amber indicator lamp warning lens in instrument panel			
XK120/140		C4626	1
52. Handbrake fluid warning lamp			
XK150 late		C16661	1
53. Handbrake fluid warning lamp lens & ring			
XK150 late		8096	1
54. Bulbs			
Headlamp	XK120	GLB370	2
	XK140/150	GLB406	2
Sidelamp	XK120 bolt on hsg	GLB989	2
	XK120 weld on hsg	GLB361	2
	XK140/150	GLB207	2
Indicator lamp	XK140/150	DBC11382	2
Fog/spotlamp	XK120	GLB185	2
	XK140/150	GLB323	2
Rear Lamp	XK120	GLB361	2
	XK140/150 single	GLB380	2
	XK140/150 twin	GLB380	2
		DBC11382	2
No plate lamp	all models	GLB989	2
Reverse lamp	all models	DBC11382	2
Interior lamp	XK140/150 DHC	GLB989	1
	XK140/150 FHC	GLB256	2

132.6 M.P.H.
BY JAGUAR
WITH STANDARD
LUCAS
ELECTRICAL EQUIPMENT

On May 28th, 1960, an entirely standard JAGUAR 3½ litre "XK120" Sports Car running on pump petrol was officially timed over a flying mile at 132.6 m.p.h.

This remarkable achievement, observed and recorded by the Royal Automobile Club of Belgium on the 3000m motor road near Ottend, has gained for Jaguar four Belgian Speed Records and is THE FASTEST SPEED EVER RECORDED BY A STANDARD PRODUCTION CAR!

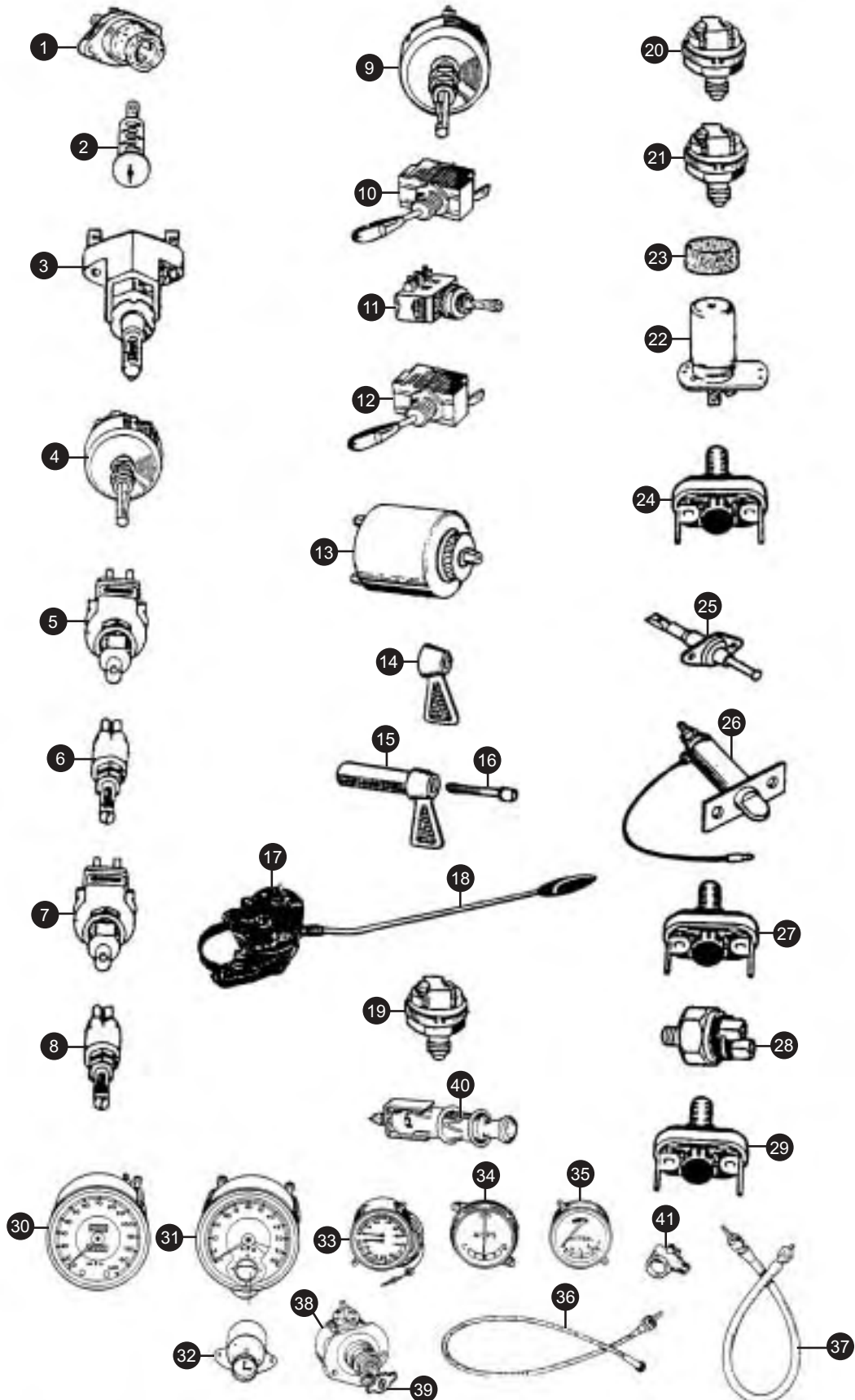
Courtesy of Lucas Ltd.

JOSEPH LUCAS LTD BIRMINGHAM ENGLAND



Dashboard Switches & Gauges

Buy on-line at www.sngbarratt.com



+44 (0) 1746 765432
sales.uk@sngbarratt.com



+1 603 622 1050
sales.usa@sngbarratt.com



+33 3 85 201 420
sngbarratt.france@wanadoo.fr



+31 13 52 11 552
verkoop@sngbarratt.com



Dashboard Switches & Gauges

Buy on-line at www.sngbarratt.com



1. Ignition switch less barrel and keys

C5459 1

2. Barrel and keys

BD10610 1

3. Starter switch

XK120 OTS/FHC to chassis number 661166, 675207, 669138, 681419, also 672943, 672946, 672947, 672948, 680110, 680113 & 680114. C2758 1

XK120 OTS/FHC from chassis number 661167, 669139, 675208, 681420 on C5461 1

XK120 DHC all C5461 1
XK140/150 all C5461 1

4. Headlamp switch

XK120 OTS/FHC to chassis number 661025, 672942, also 672944, 672945 & 672949. C2757 1

XK120 OTS/FHC/DHC from chassis number 661026 to 661166, 672950 to 675207, 669003 to 669138, 680116 to 681419, also 672943, 672946, 672947, 672948, 680110, 680113 & 680114. C5458 1

XK120 OTS/FHC/DHC from chassis number 661167, 669139, 675208, 681420 on C8396 1

XK140/XK150 with foglamps C9117 1
without foglamps C5577 1

5. Panel lamp switch

XK120 OTS/FHC to chassis number 661166, 675207, 669138, 681419, also 672943, 672946, 672947, 672948, 680110, 680113 & 680114. C2744 1

XK120 OTS/FHC from chassis number 661167, 669139, 675208, 681420 on C5460 1

XK120 DHC C5460 1
XK140 all models C5460 1
XK150 all models C9647 1

6. Interior lamp switch

XK120 FHC to chassis number 661166, 675207, 669138, 681419, also 672943, 672946, 672947, 672948, 680110, 680113 & 680114. C2744 1

XK120 FHC from chassis number 661167, 669139, 675208, 681420 on C5463 1

XK120 DHC C5463 1
XK140 DHC/FHC C5463 1
XK150 DHC/FHC C9649 1

7. Heater fan rheostat

XK120 OTS from chassis number 661167, 669139, 675208, 681420 on C5460 1

XK120 DHC/FHC C5460 1
XK140 all models C5460 1

XK150 all models to chassis number 830438, 827071, 837433, 824419, 835565 C9650 1

XK150 all models chassis numbers 830439, 827072, 837434, 824420, 835566 on C9650 1

8. Remote fog lamp switch

XK120 C2744 1

Petrol/ oil level switch

XK120 OTS/FHC to chassis number 661166, 675207, 669138, 681419, also 672943, 672946, 672947, 672948, 680110, 680113 & 680114. C2759 1

9. Wiper switch

XK120 OTS/FHC to chassis number 661166, 675207, 669138, 681419, also 672943, 672946, 672947, 672948, 680110, 680113 & 680114. C2744 1

XK120 OTS/FHC from chassis number 661167, 669139, 675208, 681420 on C4615/1 1

XK120 DHC C4615/1 1

XK140/150 all models C5506 1

10. Intermediate speed hold switch on dash

XK150 automatic transmission C12558 1

11. Overdrive switch (on dash)

XK140 C7474 1

12. Overdrive switch (on dash)

XK150 C35098 1

13. Indicator switch (on dash)

XK140 C10830 1
XK150 to chassis numbers 827068, 837414, 824413, 835547 C10830 1

14. Lever for indicator switch (on dash)

XK140 OTS C10832 1

15. Lever for indicator switch (on dash)

XK140 DHC/FHC C10831 1
XK150 all models C10831 1

16. Lever securing screw

XK140/150 C11936 1

17. Indicator switch (on column)

XK150 chassis numbers 820001, 830001, 827069, 837415, 824414, 835548 on C13958 1

18. Indicator switch lever & knob (on column)

XK150 chassis numbers 820001, 830001, 827069, 837415, 824414, 835548 on C13958/K 1

19. Reverse lamp switch (in gearbox cover)

All models DAC3844 1

20. Overdrive switch (in gearbox cover)

XK140/150 DAC3844 1



Dashboard Switches & Gauges

Buy on-line at www.sngbarratt.com

21. Starter cut-out switch					
XK140 automatic transmission	DAC3844	1	XK120 DHC/FHC early	C5593	1
			XK120 DHC/FHC late	C8272	1
22. Headlamp dip switch			XK140 OTS	C8273	1
All models	C2639	1	XK140 DHC	C8274	1
			XK140 FHC	C9154	1
23. Rubber pad on dip switch			XK150 all models	C12860	1
All models	C2659	1	38. Rev counter generator	C14996	1
24. Handbrake warning light switch			39. Rev counter generator drive dog	C25426	1
XK150	C16660	1			
25. Door courtesy light switch			40. Cigar lighter		
XK150 DHC/FHC	C9653	2	XK120 early	C2669	1
26. Boot lamp switch (without wire)			XK120 late	C5631	1
XK120/140	C2614	1	XK140/150	C5631	1
27. Anti-creep switch (automatic transmission)			41. Speedometer angle drive		
XK150	C12751	1	XK140/150 Manual and manual O/D cars only	C24589	1
28. Brake lamp switch			Rev counter angle drive (not illustrated)		
All models	C5218	1	XK150 early	C9914	1
29. Overdrive throttle switch on carb linkage			Instrument panel knobs (not illustrated)		
XK150	C16660	1	Interior light switch knob		
30. Speedometer (all models)			XK120/140	C5483	1
Reconditioning service only	RB1001	1	Starter switch knob		
31. Rev counter			XK120/140	C5480	1
Reconditioning service only	RB1002	1	XK150	C4622	1
32. Time clock			Wiper switch knob		
Reconditioning service only	8260XK	1	XK120	C5484	1
33. Oil pressure/ water temperature gauge			XK140	C4664	1
Reconditioning service only	RB1009	1	XK150	C9646	1
34. Ammeter			Panel lamp rheostat knob		
Reconditioning service only	RB1006	1	XK120/140	C5482	1
35. Fuel gauge			Heater fan rheostat knob		
Reconditioning service only	RB1004	1	All models	C5485	1
Fuel/oil level gauge (not illustrated)			Heater control knob		
Reconditioning service only			XK150 later cars	BD15260	1
XK120 Early OTS	RB1010		Heater valve control cable		
36. Speedometer cable			XK150 later cars	C16793/94	1
XK120 early	C1434	1	Instrument panel bezel kits (not illustrated)		
XK120 late	C8303	1	Kits include red and amber warning lamp bezels and chrome eyelets.		
XK140/150 manual	C8303	1	XK120 OTS/FHC early	BK101/E	1
XK140/150 manual O/D	C11964	1	XK120 OTS/FHC late	BK101/L	1
XK140 auto	C11965	1	XK120 DHC	BK101/L	1
XK150 auto	C12544	1	XK140 all models	BK102	1
37. Rev counter drive			XK150 all models	BK103	1
XK120 OTS 22"	C5395	1			
19"	C5594	1			
18.5"	C8274	1			



+44 (0) 1746 765432
sales.uk@sngbarratt.com



+1 603 622 1050
sales.usa@sngbarratt.com



+33 3 85 201 420
sngbarratt.france@wanadoo.fr

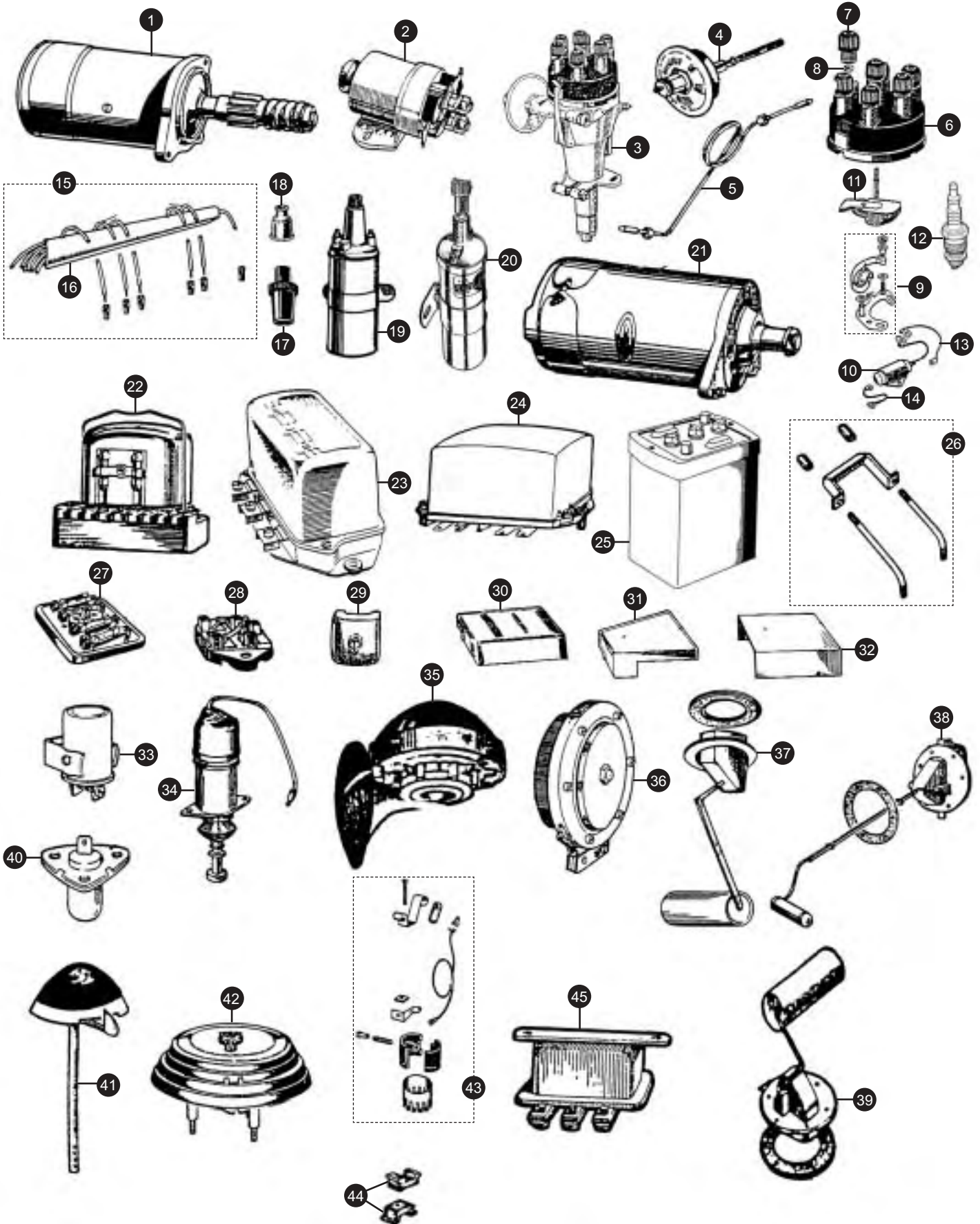


+31 13 52 11 552
verkoop@sngbarratt.com



General Electric

Buy on-line at www.sngbarratt.com



1. Starter motor

XK120/140/150	manual	C2746/1	1
XK140/150	automatic	C10980	1

2. Starter solenoid

XK120/140/150		C19468	1
---------------	--	--------	---

3. Distributor

XK120	reconditioning service only, requiring good old unit.		
XK140	reconditioning service only, requiring good old unit.		
XK150	reconditioning service only, requiring good old unit.		

4. Distributor vacuum unit

XK120		2956	1
XK140		421720	1
XK150 3.4	8:1	8234	1
	9:1	8395	1
XK150 3.4S		423461	1
XK150 3.8	8:1	7983	1
	9:1	8240	1
XK150 3.8S		8395	1

5. Distributor vacuum advance pipe C12336 1**6. Distributor cap**

XK120/140	side entry	415708	1
XK120/140	top entry	2927	1
XK150		6478	1

7. Distributor lead acorn* C11906 7**8. Distributor lead acorn washer*** C5452 7***Kit with 7 acorns & 7 washers** SBS1010-B 1**9. Contact set**

XK120/140		2929	1
XK150		C11990	1

10. Condenser

XK120/140		2928	1
XK150		JLM9656	1

11. Rotor arm

All models		JLM263	1
------------	--	--------	---

12. Spark plug

Standard head		EAC8916	6
'C' Type head		N5C	6

13. Low tension lead

XK150		6488	1
-------	--	------	---

14. Earth lead

XK150		6489	1
-------	--	------	---

15. HT lead set

XK120/140/150		SBS1010XK	1
---------------	--	-----------	---

16. HT lead conduit

		C34080	1
--	--	--------	---

17. Spark plug cap

		HTC	6
--	--	-----	---

18. Spark plug wire boot C2607 8**19. Ignition coil***

XK120	early flanged bottom	C2528	1
-------	----------------------	-------	---

20. Ignition coil*

XK140/150		C8749	1
-----------	--	-------	---

***Lucas High Performance Sports Coil**

Alternative coil that delivers improved spark to the plugs with improved performance and fuel economy. Ideal for use with electronic ignition conversions.

DLB105	1
--------	---

21. Dynamo

XK120	to eng W5275	C2527	1
	W5276 on	C5453	1

XK140		C5453	1
-------	--	-------	---

XK150	early	C5453	1
	late	C15255	1

22. Voltage control unit

XK120		C2530	1
-------	--	-------	---

23. Voltage control unit

XK140/150		C15257	1
-----------	--	--------	---

24. Voltage control unit

Alternative to original		C18489	1
-------------------------	--	--------	---

25. Battery

6v rubber case	most models	C9150	2
----------------	-------------	-------	---

12v rubber case	XK140 OTS & DHC	BATT091R	1
-----------------	-----------------	----------	---

26. Battery mounting bracket & fittings

XK120	all models	BD3165	2
-------	------------	--------	---

XK140 OTS/DHC			
	clamp	BD8710	1
	short rod	BD8680	1
	long rod	BD8679	1
	rubber	RT1021/2	1

XK140 FHC	clamp	BD10076	1
	rods	BD10301	4
	rubber	RT1021/3	pair

XK150	clamp	BD10076	1
	rods	BD10301	4

27. Fusebox

4 fuse type		C2829	1
-------------	--	-------	---

28. Fusebox

2 fuse type		C16510	1
-------------	--	--------	---

29. Fusebox cover

XK120		385038	1
-------	--	--------	---

30. Fuse box cover

XK140 OTS/DHC		C8820	1
---------------	--	-------	---

31. Fuse box cover

XK140 FHC		C9601	1
-----------	--	-------	---



General Electrics

Buy on-line at www.sngbarratt.com



32. Fuse box cover			
XK150		C12864	1
33. Flasher unit			
XK120/140/150		C5230	1
34. Overdrive solenoid			
XK140/150		C7471	1
35. Horns			
XK120	high	C2827	1
	low	C2828	1
36. Horns*			
XK140/150	high	C5226	1
	low	C5227	1
* Reconditioning service only			
37. Petrol tank sender unit			
XK120		C2779	1
38. Petrol tank sender unit			
XK140/150		C8407	1

39. Oil level sender unit			
XK120 to engine number W6130		C2349	1
40. Choke thermo switch			
		C33177	1
41. Steering column centre control			
XK120		C4514	1
42. Horn push assembly			
XK140/150		C5531	1
43. Horn & steering column repair kit			
XK150		SBS1281	1
44. Contact insulator block			
		C8158	2
45. Relays			
XK120 horn		C4532	1
XK120/140/150 flasher		C4518	1
XK150 overdrive		C16164	1



JAGUAR

the finest car of its class in the world



Electronic Ignition Conversion Kits

Buy on-line at www.sngbarratt.com

The constant changing of points and condensers on any Jaguar XK is both inconvenient and time consuming. The later Jaguars all feature electronic ignition which comes with the obvious advantages of greater reliability, economy and maintenance free motoring. The kits we provide are all produced by leading manufacturers and are built to out last many of the cheaper kits that are available from many of our competitors! They are fairly easy to fit and require no further adjustment once they are in situ, so fit one and forget it!



Ignitor Electronic Ignition Kits

A solid-state electronic system... "never change points again!"

Test results show the Ignitor delivers twice the voltage to the spark plugs, increasing horsepower, fuel economy and plug life.

A 2:1 improvement over point type systems in current fall time for increased coil output.

System is designed for use with most point-type coils.

Rotating cobalt magnets, mounted on the distributor shaft, trigger an electronic switching module (Hall effect integrated circuit) ...no points to burn, pit and corrode ...no moving and rubbing parts to wear out.

Electronics are molded in epoxy, eliminating deterioration from dirt, oil, grease or moisture (better foul weather performance).

Fits entirely inside the distributor, no "black box" to clutter your engine compartment. Stable timing... no need for any further adjustments.

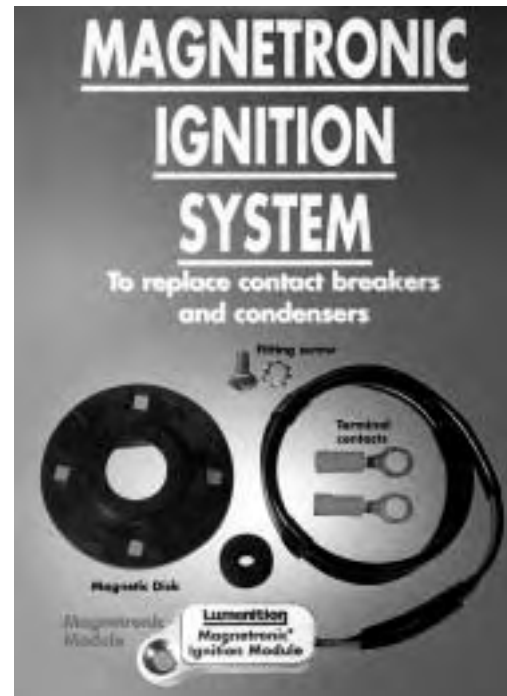
No complicated wiring makes installations easy.

XK120/140 DVX

Positive earth XKDVX/P
Negative earth XKDVX

XK150 DMBZ

Positive earth XKDMBZ/P
Negative earth XKDMBZ



Magnetronic Electronic Ignition Kits

Easier starting

Overcomes distributor wear

Increased fuel economy

Maintenance free

No permanent modification required

Fits within the distributor cap

Die cast aluminium module

OEM quality components

XK150 DMBZ

Fitting kit FK124

Power unit PMA50



45D Electronic Ignition

Conversion to upgrade most 6 cylinder cars to later 45D electronic ignition as fitted to XJ6 Series 3. RTC2641*



+44 (0) 1746 765432
sales.uk@sngbarratt.com



+1 603 622 1050
sales.usa@sngbarratt.com



+33 3 85 201 420
sngbarratt.france@wanadoo.fr

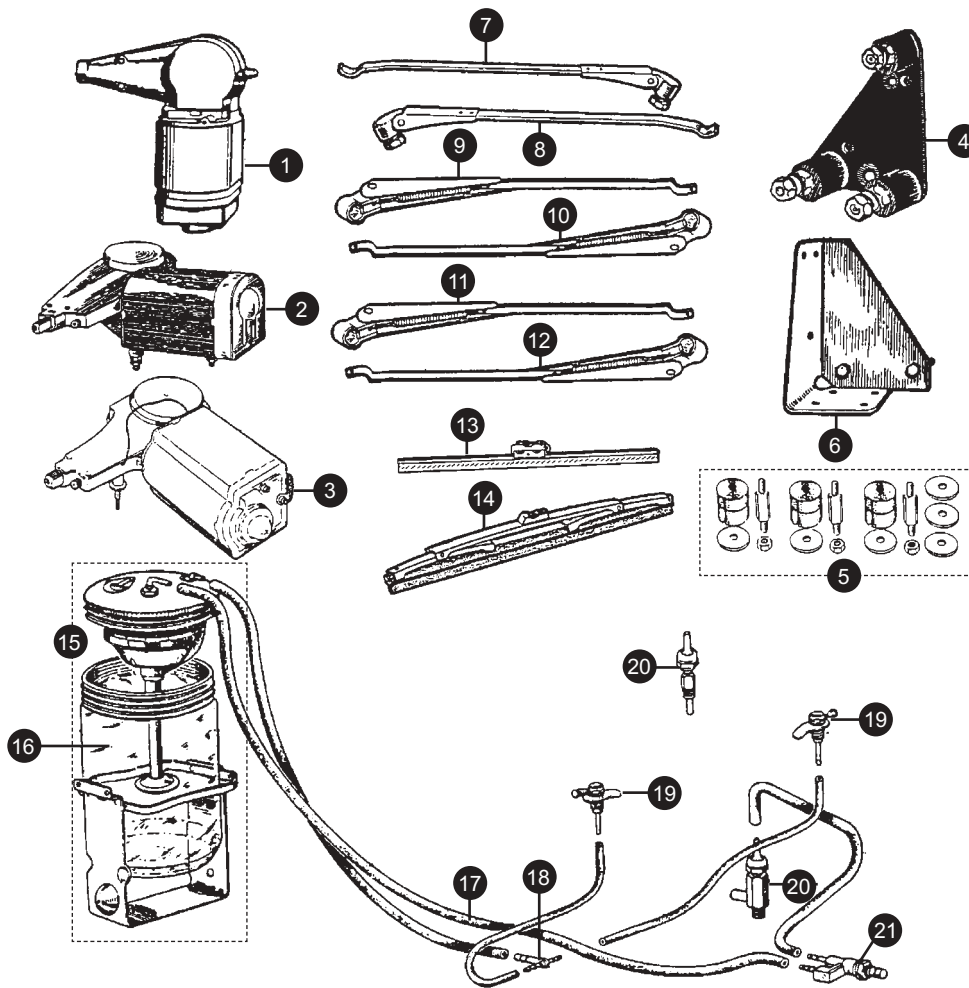


+31 13 52 11 552
verkoop@sngbarratt.com



Washwipe System

Buy on-line at www.sngbarratt.com



1. Wiper Motor (reconditioned exchange) XK120	C4051	1			
2. Wiper Motor (reconditioned exchange) XK140	C11840	1			
3. Wiper Motor (reconditioned exchange) XK150 OTS	RHD C14074	1			
	LHD C14136	1			
XK150 DHC/FHC	RHD C13508	1			
	LHD C13619	1			
4. Wiper motor mounting plate XK120/140	3556	1			
5. Wiper motor mounting stud and grommet set XK150	7525	1			
6. Wiper motor mounting bracket	C2670	1			
Wiper arms					
7. XK120	LH	3540	1		
8. XK120	RH	3539	1		
9. XK140	LH	C11842	1		
10. XK140	RH	C11843	1		
11. XK150	LH	7249	1		
12. XK150	RH	7250	1		
13. Wiper blade XK120/140	C11844	2			
14. Wiper blade XK150	6562	2			
15. Washer bottle assembly XK120	C5473/1	1			
XK140 OTS/DHC	C5473/1	1			
XK140 FHC	C9179	1			
XK150	C10127/1	1			
16. Washer bottle only XK120/140	C5473/2	1			
XK150	C10127/2	1			
17. Washer tubing (sold by the metre) Clear	SBS9900	A/R			
Green	SBS9901	A/R			
18. Three way joiner 'T' piece	C5473/6	1			
19. Washer jet	C5473/4	2			
20. Vacuum check valve XK150 to chassis numbers 820016, 831898, 827271, 837940, 824741, 835934 and all XK150S models	C13570	1			
XK150 from chassis numbers 820017, 831899, 827272, 837941, 824742, 835935.	C14715	1			
21. Washer vacuum switch	C5472/7	1			



Wiring Looms

Buy on-line at www.sngbarratt.com

XK120 Main harness

RHD	JL181	1
LHD	JL182	1
RHD with relay flashers	JL183	1
LHD with relay flashers	JL184	1
Steering column	SC104	

XK140 Main harness

RHD/LHD with spotlamp wiring	JL185	1
Over drive harness with two relays	JL190	1
Overdrive harness with one relay	JL191	1
Automatic gearbox	JL192	1

XK150 Main harness

RHD/LHD automatic with relay flashers	JL186	1
RHD/LHD manual with O/D & relay flashers	JL187	1
RHD/LHD automatic with amber flashers	JL188	1
RHD/LHD manual with O/D & amber flashers	JL189	1

Wiring Loom Fittings

1. Terminal block

XK150	C12837	1
-------	--------	---

2. Positive battery cable

XK120	C2778	1
XK140/150	C5539	1

3. Negative battery cable

XK120	C2834	1
XK140 OTS/DHC	C5535	1
XK140 FHC	C9152	1
XK150	C5535	1

Battery link cable (not illustrated)

XK120	C2833	1
XK140	C9153	1
XK150 early	C9153	1
XK150 late	C14329	1

Solenoid to starter cable (not illustrated)

XK120	C2610	1
XK140/150	C5645	1

4. Starter/solenoid cable rubber boot

EL1012	3
--------	---

5. Chassis earth cable

C21334	2
--------	---

6. 1 way female connector

EL1001	A/R
--------	-----

7. 2 way female connector

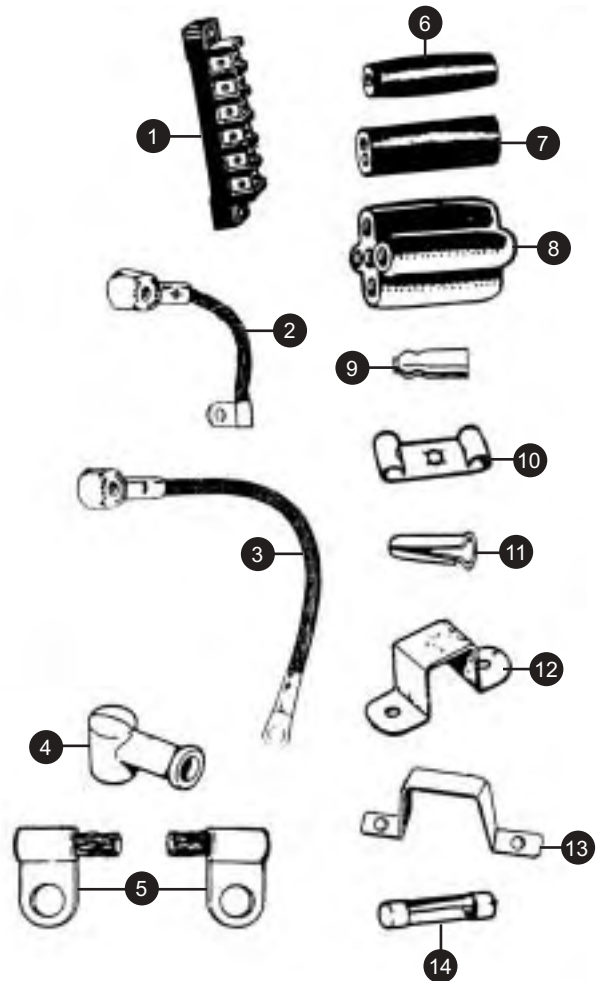
EL1002	A/R
--------	-----

8. 5 way female connector 10 way female connector

3570	1
3571	1

9. Male bullet connectors

EL1000	pkt 20
--------	--------



10. Earth connector

C5204	A/R
-------	-----

11. Earth connector sleeve terminals

EL1018	pkt 10
--------	--------

12. Mounting strap for 5 way connector

C2796	1
-------	---

13. Mounting strap for 10 way connector

C2797	1
-------	---

14. Glass fuses

35 amp	GFS35	A/R
50 amp	GFS50	A/R

Handbooks & Manuals

Model	Handbook	Parts Manual	Workshop Manual
XK120	RP5	J8	J1
XK140	E101/2	J15	J1
XK150	E111/3	J29/1 & J29/2	J1



+44 (0) 1746 765432
sales.uk@sngbarratt.com



+1 603 622 1050
sales.usa@sngbarratt.com



+33 3 85 201 420
sngbarratt.france@wanadoo.fr

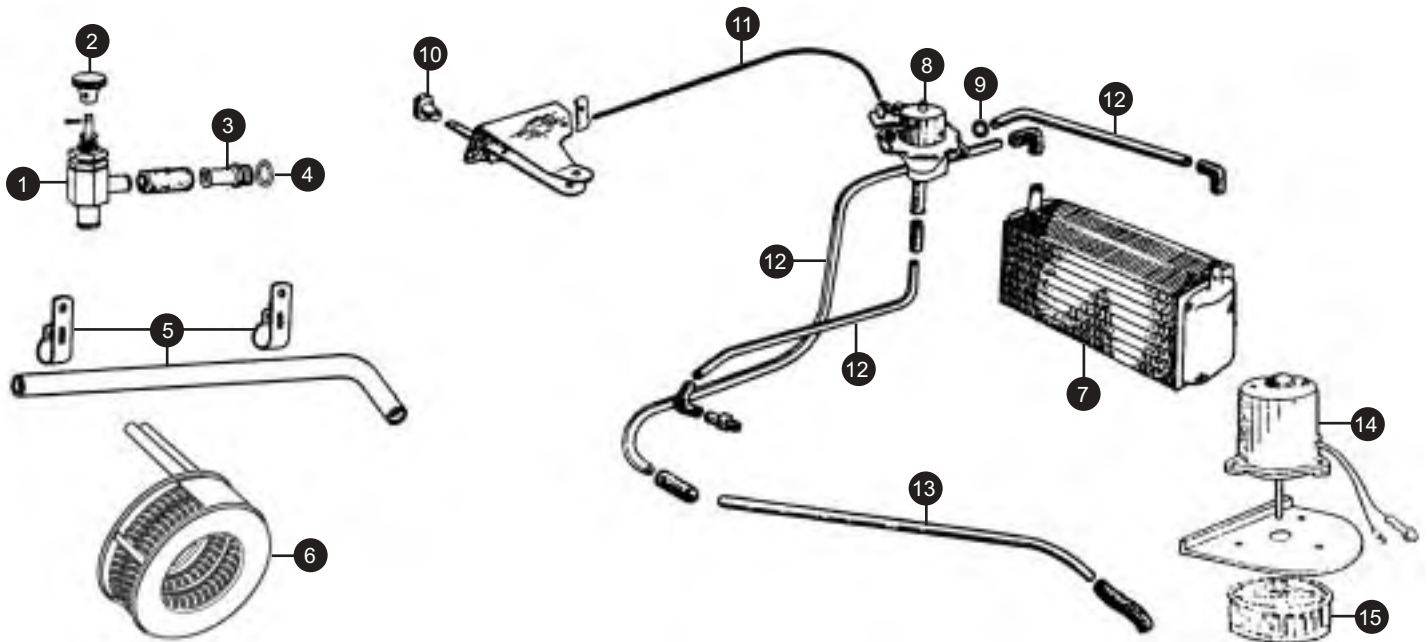


+31 13 52 11 552
verkoop@sngbarratt.com



Heating System

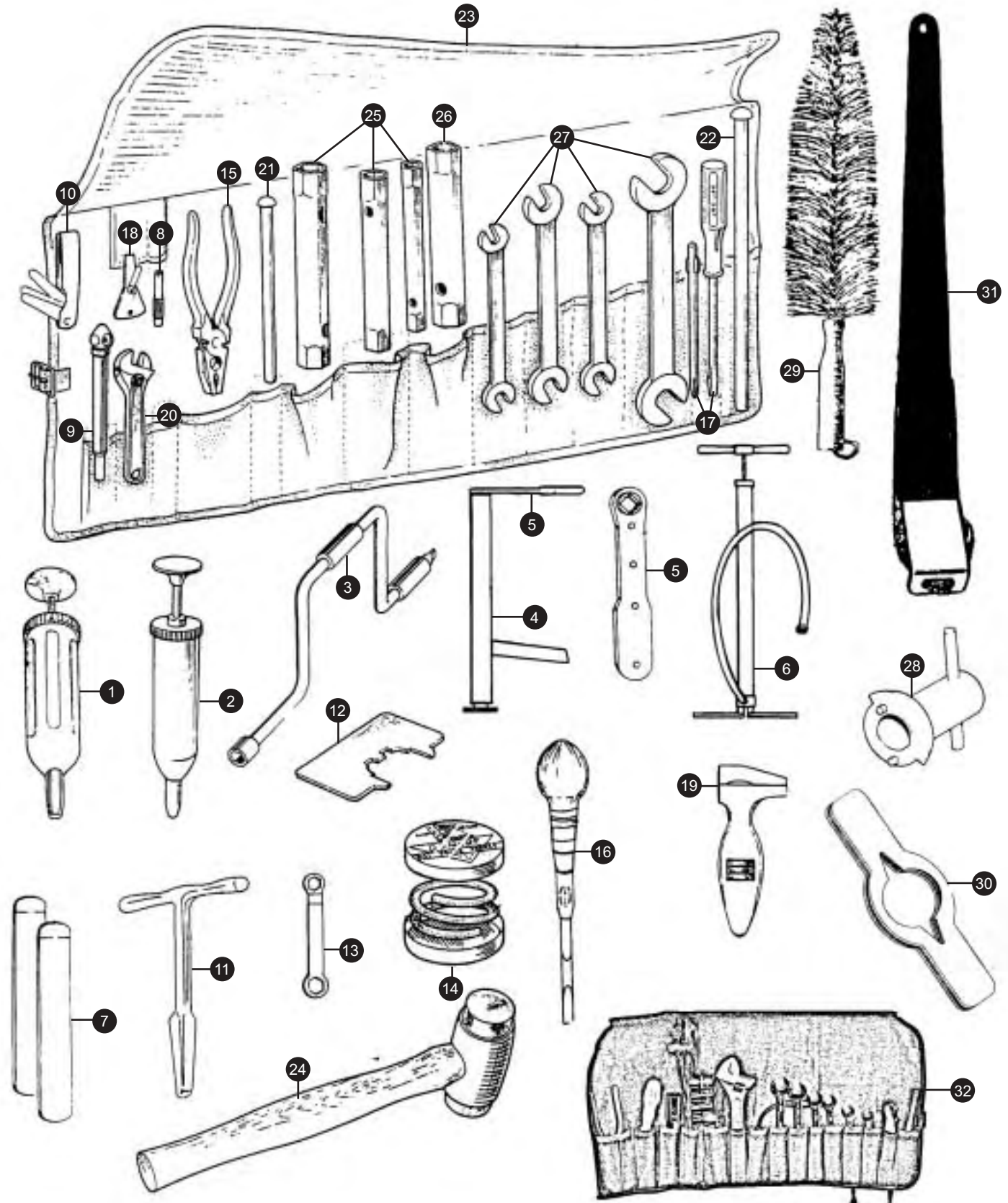
Buy on-line at www.sngbarratt.com



1. Heater water valve XK120/140/early XK150	C4392	1
2. Heater water valve knob XK120/140/early XK150	C4393	1
3. Heater intake adaptor XK120/140/early XK150	C17421	1
4. Sealing washer	C2296/1	1
5. Heater to waterpump return pipe XK120/140	C4836	1
6. Round heater matrix XK120/140/early XK150* (Not as original, but suitable for fitment)	SBS1503	1
7. Square heater matrix XK150 late	C9288	1
8. Heater water valve XK150 late	C9927	1
9. Heater water valve seal XK150 late	C9928	1
10. Heater control knob XK150 late	BD15260	1
11. Heater valve operating cable XK150 late	C16793/94	1
12. Heater pipe kit XK150 late	CS1046	1

13. Heater return pipe XK150 late	C13232	1
14. Heater motor XK150 late	C9290	1
15. Heater motor fan XK150 late	C9291	1





+44 (0) 1746 765432
sales.uk@sngbarratt.com



+1 603 622 1050
sales.usa@sngbarratt.com



+33 3 85 201 420
sngbarratt.france@wanadoo.fr



+31 13 52 11 552
verkoop@sngbarratt.com



Tools

Buy on-line at www.sngbarratt.com

Oil gun

XK120 OTS/FHC up to chassis no. 671598 & 679055
C991 1

1. Grease gun

XK120 from chassis no.. 671599, 679056, 677001
C4560 1

XK140 up to chassis 811 526, 814453, 817603
C4560 1

2. Grease gun

XK140 from chassis no. 811527, 814454, 817604
C10176 1

XK150 DHC & FHC up to chassis 837016, 834457
C10176 1

XK150 from chassis no. 830001, 837017, 834458
C13269 1

3. Wheel brace

XK120/140 (disc wheels) C2586 1

4. Jack (without ratchet handle)

All models C2953 1

5. Ratchet handle operating jack

All models C2954 1

6. Tyre pump

XK120 C997 1

7. Tyre irons

XK120 C1001 2

8. Tyre valve extractor (brass)

C993 1

9. Tyre pressure gauge

XK140 C4670 1

XK150 plain C11753 1

XK150 with wings logo C11753/W 1

10. Tappet clearance feeler gauge

All models C5587 1

11. Key for budget locks

All models 2072 1

12. Cam timing tool

All models C3993 1

Air scoop blanking plate

XK120 C4292 2

13. Brake bleeder spanner

XK120/140 C2957 1

14. Brake bleeder tube and container

XK120/140 Lockheed C2958 1

XK150 Dunlop C13620 1

15. Pliers

All models C996 1

16. Screwdriver

XK120 C28 1

17. Screwdriver

XK140/150 C4585 1

18. Distributor screwdriver

All models C5444 1

19. Adjustable spanner

XK120 C994 1

20. Adjustable spanner

XK140/150 C23296 1

21. Tommy bar (short)

All models C20825 1

22. Tommy bar (long)

All models C2896 1

23. Tool roll

XK120 green C2882 1

XK140/150 black C5578 1

24. Copper and hide Thor hammer

All models C992 1

25. Box spanners* (all models)

3/16 x 1/4 BSF C31/1 1

5/16 x 3/8 BSF C32/1 1

7/16 x 1/2 BSF C33/1 1

7/16 x 1/2 SAE C4094/1 1

9/16 x 5/8 SAE C4095/1 1

3/4 x 7/8 SAE C4096/1 1

26. Spark plug box spanner*

All models C10155 1

* Full set of box spanners available as BOXSPANNERSET

27. Open ended spanner

1/8 x 3/16 BSF C998 1

5/16x3/8 BSF C999 1

7/16x1/2 SAE C2587 1

3/4x7/8 C2589 1

3/4 x 7/8 AF C4594 1

9/16 x 5/8 AF C4595 1

7/16 x 1/2 AF C4596 1

11/32 x 3/8 AF C4638 1

28. Timing chain adjuster tool

SBS1265 1

Adjusting the timing chains on any 6 cylinder Jaguar engine has always been, a tedious job. Now SNG Barratt can now provide you with a "budget priced" alternative to the tool that the garages and restorers use.

29. Wire wheel cleaning brush

SBS9200 1

30. Wooden spinner saver

SBS9306 1

Used to tighten or remove 2 eared spinners. Fits over the spinner allowing you to hit the saver instead of your spinners!

31. Extending spinner removal tool

AC1016 1

Allows you to remove two eared spinners using leverage rather than brute force and temper!

Storage pouch for spinner tool

AC1016P 1

32. Universal Imperial tool roll set

SBS1082 1

Set of good quality emergency tools in a green canvas roll



Motifs & Decals

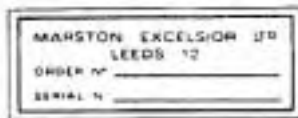
Buy on-line at www.sngbarratt.com



ID0006



ID0007



ID0003



ID0005



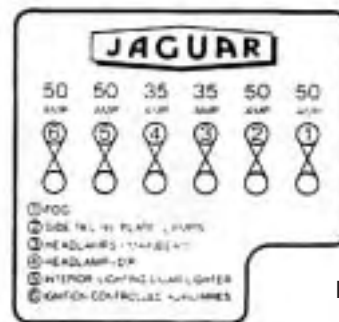
C5473/1-Y



B209



ID0039



ID0044

JAGUAR CARS LTD COVENTRY, ENGLAND.

CHASSIS No. _____ ENGINE No. _____
 BODY No. _____ GEAR BOX No. _____

RECOMMENDED LUBRICANTS

	MOBIL	AMFELD	SHELL	ESSO	BP	SAE
SUMMER	Mobil 1	Amfeld 10	Shell 100	Esso 100	BP 100	SAE 10
WINTER	Mobil 5	Amfeld 5	Shell 50	Esso 50	BP 50	SAE 5
TROPICAL	Mobil 1	Amfeld 10	Shell 100	Esso 100	BP 100	SAE 10
GEAR OIL	Mobil 2	Amfeld 2	Shell 90	Esso 90	BP 90	SAE 90
HYDRAULIC	Mobil 4	Amfeld 4	Shell 68	Esso 68	BP 68	SAE 68
STEERING OIL	Mobil 4	Amfeld 4	Shell 68	Esso 68	BP 68	SAE 68
WIPER FLUID	Mobil 1	Amfeld 1	Shell 100	Esso 100	BP 100	SAE 100

WIPER CLEARANCE (COLD) INLET _____ INCH ESQUART _____ INCH

Brass early
XK120 ID0038
Brass late
XK120/XK140
ID0016



C9099

JAGUAR CARS LTD COVENTRY, ENGLAND.

CHASSIS No. _____ ENGINE No. _____
 BODY No. _____ GEAR BOX No. _____

RECOMMENDED LUBRICANTS

	MOBIL	AMFELD	SHELL	ESSO	BP	SAE
SUMMER	Mobil 1	Amfeld 10	Shell 100	Esso 100	BP 100	SAE 10
WINTER	Mobil 5	Amfeld 5	Shell 50	Esso 50	BP 50	SAE 5
TROPICAL	Mobil 1	Amfeld 10	Shell 100	Esso 100	BP 100	SAE 10
GEAR OIL	Mobil 2	Amfeld 2	Shell 90	Esso 90	BP 90	SAE 90
HYDRAULIC	Mobil 4	Amfeld 4	Shell 68	Esso 68	BP 68	SAE 68
STEERING OIL	Mobil 4	Amfeld 4	Shell 68	Esso 68	BP 68	SAE 68
WIPER FLUID	Mobil 1	Amfeld 1	Shell 100	Esso 100	BP 100	SAE 100

WIPER CLEARANCE (COLD) INLET _____ INCH ESQUART _____ INCH

Aluminium
XK150
CP365



ID0068

ST116



ID0090



ID0069



Motifs & Decals

Buy on-line at www.sngbarratt.com



BD9152

322167



C3367



BD10954



Blue running-in sticker with instructions on reverse RIS001B



BD3286



BD9431



132MPH ID0023
141MPH ID0024



BD14343



BD9152



C19637



C8165



BD12496



UK tax disc holder
BD21181



C9118



C8574



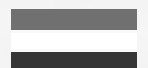
BD16132/33



C13008



C13580



XK120 Roadster

J120R/FSC	Front Seat Covers pair
J120R/CA1	Carpet Set
J120R/SP	Soundproofing Kit
J120R/AR1	Centre Armrest
J120R/HG	Handbrake Gaitor
J120R/AP	A Post Panels pair
J120R/BP	B Post Trim Panels pair
J120R/DHS	Door Pull Straps pair
J120R/DRP1	Door Panels with Pockets - Leather pair
J120R/DRP2	Lower Door Trims Panels pair
J120R/CRL	Cockpit Crashrolls - Leather - 4pcs
J120R/DA1	Dash Facia Trim- Leather - inc. piping
J120R/DA2	Trim Below Instrument Panel
J120R/DA3	Trim Above Instrument Panel
J120R/UP	Underdash Panel
J120R/CA2	Boot Carpet
J120R/BLP	Boot Lid Cover
J120R/V	2.5 Metres Vinyl (to finish off)
J120R/DRP3	Door Pocket Liners pair
J120R/LID	Battery Box Trim Cover
J120R/FF	Snap-on-Edge Trim - 5mtrs
J120R/FTK	Full trim kit

OPTIONAL ITEMS

J120R/FSF	Front Seat Base Cushions pair
J120R/FSBF	Front Seat Backrest Foams pair

WEATHER EQUIPMENT

J120R/HZMO1	Mohair Hood (zip rear window) - Short
J120R/HZMO2	Mohair Hood (zip rear window) - Long
J120R/HZDD1	Double Duck Hood (z r w) - Short
J120R/HZDD2	Double Duck Hood (z r w) - Long
J120R/HMO1	Mohair Hood (without zip) - Short
J120R/HMO2	Mohair Hood (without sip) - Long
J120/HDD1	Double Duck (without zip) - Long
J120R/HDD2	Double Duck (without window) - Short
J120R/TMO1	Mohair Tonneau Cover - Short
J120R/TMO2	Mohair Tonneau Cover - Long
J120R/TDD1	Double Duck Tonneau Cover - Short
J120R/TDD2	Double Duck Tonneau Cover - Long
J120R/TPVC	PVC Tonneau Cover - Short
J120R/TPVC2	PVC Tonneau Cover - Long
J120R/SMO	Sidescreen Bag - Mohair
J120R/SPVC	Sidescreen Bag - PVC

XK120 DHC

J120D/FSC	Front Seat Covers pair
J120D/AR	Centre Armrest
J120D/GLG	Gear Lever Gai+or
J120D/CA	Carpet Set - Wool
J120D/SP	Soundproofing Kit
J120D/HA	Hardura Boot Mat
J120D/DRP	Door Panels pair
J120D/DTP	Dash Top
J120D/AP	A Post Trims pair
J120D/UP	Underdash Panel
J120D/RSP	Rear Side Trims pair
J120D/V2	Metres Vinyl
J120D/MOQ	1.5 Metres Moquette
J120D/BLP	Boot Lid Panel
J120D/FF	Door Edge Trim - Snap On 7metres
J120D/LIN	Lining Material For Rear Box
J120D/FTK	Full trim kit

OPTIONAL ITEMS

J120D/FSBF	Seat Cushions - Front Backrest pair
J120D/FSF	Seat Cushions - Front Base pair

WEATHER EQUIPMENT

J120D/HMO	Mohair Hood
J120D/HDD	Double Duck Hood
J120D/H	PVC PVCHood
J120D/HEMO	Mohair Hood Envelope
J120D/HEDD	Double Duck Hood Envelope
J120D/HL1	Headlining - Grey
J120D/HL2	Headlining - Beige
J120/HL3	Headlinng - Green
J120/HPAD	Cloth and Wadding for Hood
J120D/HWW	Hood Frame Woodwork - Complete Set



Interior Trim

Buy on-line at www.sngbarratt.com



XK120 FHC

J120F/FCS	Front Seat Covers pair
J120F/AR 1	Centre Armrest
J120F/CA1	Carpet Set - Wool
J120F/HABM	Hardura Boot Mat
J120F/DRP	Door Panels pair
J120F/UP	Underdash Panels
J120F/AP	A Post Trims pair
J120F/HP	Boot Hinge Panel Trim
J120F/DTP	Dash Top
J120F/ILP	Interior Light Panel pair
J120F/V1	2 Metres Vinyl - for B Posts and Battery Box
J120F/MOQ	1 Metre Moquette - for Diff and Petrol Tank Filler
J120F/SP	Underfel+Kit
J120F/FF	Door Edge Trim (9mtrs)
J120F/HL1	Headlining - Grey
J120F/HL2	Headlining - Beige
J120F/HL3	Headlining - Green
J120F/BLP	Boot Lid Trim Panel
J120F/HG	Handbrake Gaitor
J120F/HL4	Lining For Rear Box
J120F/FTK	Full trim kit

OPTIONAL ITEMS

J120F/FSBF	Front Seat Backrest Foams pair
J120F/FSF	Front Seat Base Cushions pair
J120F/RAM	Ramsay Seal (9mtrs)

XK140 Roadster

J140R/FSC	Seat Covers - Leather pair
J140R/CA1	Carpet Set - Wool
J140R/SP	Soundproofing Kit
J140R/AR1	Centre Armrest - Early Type - Leather
J140R/AR2	Centre Armrest - Late Type - Leather
J140R/HG	Handbrake Gaitor - Leather
J140R/AP	A Post Panels pair
J140R/BP	B Post Panels pair
J140R/UP	Underdash Panel
J140R/DRP	Door Panels with Pockets - Vinyl pair
J140R/CRL	Cockpit Crash Roll Leather - 4 pieces
J140R/DA1	Dash Facia Trim - Leather
J140R/DA2	Trim Below Instrument Panel
J140R/DA3	Trim Above Instrument Panel
J140R/HA1	Hardura Set - Interior
J140R/HA2	Hardura Set - Boot
J140R/BLP	Boot Lid Panel
J140R/V1	Vinyl 2.0 metres
J140R/MOQ	Vinyl for Rear Wheelarches and Bulkhead
J140R/BAP	Boot Access Panel
J140R/CAFIX	Carpet Fixing Kit
J140R/FTK	Full trim kit

OPTIONAL ITEMS

J140R/FSBF	Seat Backrest Foams pair
J140R/FSF	Seat Base Foams pair

WEATHER EQUIPMENT

J140R/HZMO	Mohair Hood (zip rear window)
J140R/HZDD	Double Duck Hood (zip rear window)
J140R/HZPVC	PVC Hood (zip rear window)
J140R/HMO	Mohair Hood (without zip window)
J140R/HDD	Double Duck (without zip window)
J140R/HPVC	PVC Hood (without zip window)
J140R/TMO	Mohair Tonneau Cover
J140R/TDD	Double Duck Tonneau Cover
J140R/TPVC	PVC Tonneau Cover
J140R/SB1	Mohair Sidescreen Bag
J140R/SB2	PVC Sidescreen Bag
J140R/SS	Sidescreens Complete Fully Trimmed pair



XK140 DHC

J140D/FSC	Front Seat Covers - Leather pair
J140D/RSC	Rear Seat Cover - Leather set
J140D/AR1	Centre Armrest - Early Type - Leather each
J140D/AR2	Centre Armrest - Late Type - Leather each
J140D/HBG	Handbrake Gaitor - Leather
J140D/CA1	Carpet Set- Wool set
J140D/HA1	Harduro Set - Interior set
J140/HA2	Hardura Set - Boot set
J140D/UP	Underdash Panels set
J140D/DRP	Door Panels - including Pockets pair
J140D/AP	A Post Trims pair
J140D/HL	Headlining Material 0.5 metres
J140D/V1	Vinyl 2 metres
J140D/MOQ1	Moquette 1.0 metres
J140D/MOQ2	Moquette for Wheelarch and Differential Cover

J140D/BLP	Boot Lid Trim Panel
J140D/SP	Soundproofing Kit set
J140D/ILP	Interior Light Panel
J140D/FF	Door Edge Trim - Snap On 1.5 metres
J140D/DTP	Dash+op Panel
J140D/BHCP	Boot Hinge Cover Panel
J140D/CFIX	Carpet Fixing Kit

J140D/FTK	Full Trim Kit
------------------	---------------

OPTIONAL ITEMS

J140D/FSBF	Front Seat Backrest Foams
J140D/FSF	Front Seat Base Foams
J140D/RSP	Rear Side Panels (metal) Trimmed
J140D/LID	Luggage Lid Assembly - Complete Trimmed

WEATHER EQUIPMENT

J140D/HMO	Mohair Hood
J140D/HDD	Double Duck Hood
J140D/HPVC	PVCHood
J140D/HPAD	Hood Padding Materials
J140D/HEMO	Mohair Hood Envelope
J140D/HEDD	Double Duck Hood Envelope
J140D/HEPVC	PVC Hood Envelope
J140D/HWW	Hoodframe Wood Work -13 pieces
J140D/HL1	Headlining Kit - Grey
J140D/HL2	Headlining Kit - Beige
J140D/HL3	Headlining Kit - Green

XK140 FHC

J140F/FSC	Front Seat Covers - Leather pair
J140F/RSC	Rear Seat Cover - Leather pair
J140F/AR1	Centre Armrest Cover - Early Type - Leather
J140F/AR2	Centre Armrest Cover - Late Type - Leather
J140F/CA	Carpet Set- Wool set
J140F/SP	Soundproofing Kit set
J140F/FHA1	Hardura Set - Interior
J140F/HA2	Hardura Set - Boot
J140F/DRP	Door Panels Including Pocket pair
J140F/AP	A Post Trim Panels pair
J140F/V	Vinyl 2 metres
J140F/MOQ1	Moquette 1.0 metre
J140F/UP	Underdash Trim Panels - 3 pieces
J140F/HL1	Headlining Kit - Grey
J140F/HL2	Headlining Kit - Beige
J140F/HL3	Headlining Kit - Green
J140F/BLP	Boot Lid Trim Panel
J140F/MOQ2	Moquette for Wheelarch and Differential Covers
J140F/HG	Handbrake Gaitor - Leather
J140F/DTP	Dashtop Trim Panel
J140F/FF	Door Edge Trim - Snap-on 2.0 metres

J140F/FTK	Full trim kit
------------------	---------------

OPTIONAL ITEMS

J140F/FSF	Front Seat Base Foams pair
J140F/FSBF	Front Seat Backrest Foams pair



Interior Trim

Buy on-line at www.sngbarratt.com



XK150 Roadster

J150R/FSC	Front Seat Covers pair
J150R/AR1	Centre Armrest (handbrake on LH side)
J150R/AR2	Centre Armrest (handbrake on LH side)
J150R/CA1	Carpet Set - Wool
J150R/SP	Soundproofing Kit
J150R/HA1	Hardura Set - Interior
J150R/HA2	Hardura Set - Boot
J150R/UP	Underdash Panel
J150R/DRP1	Door Panels - inc. pocket and liner pair
J150R/AP	A Post Trims pair
J150R/V1	2 Metres Vinyl
J150R/MOQ1	1 Metre Moquette
J150R/MOQ2	Moquette for Wheelarches and Diff Cover
J150R/DA1	Dash Facia Retrim Ktt
J150R/DA2	Dash Top Kit
J150R/BLP	Boot Lid Trim Panel
J150R/FF	Door Edge Trim - Snap On (5 metres)
J150R/WS	Vinyl Trim for Windscreen Surround

J150R/FTK Full trim kit

OPTIONAL ITEMS

J150R/FSF	Front Seat Base Foams pair
J150R/FSBF	Front Seat Backrest Foams pair
J150R/AR3	Door Armrests pair
J150R/CA2	Boot Set - Wool (instead of Hardura)
J150R/GB	Gloveboxes- RHD ONLY AVAILABLE pair
J150R/RAM	Ramsay Seal (5 metres)
J150R/DAF	Dashboard Crashroll Foams pair
J150R/CA2	Boot Set - in Wool (Not Original)
J150R/CAFIX	Carpet Fixing Kit
J150R/DRP2	Door Pocket Liners pair

WEATHER EQUIPMENT

J150R/HMO	Mohair Hood
J150R/HDD	Double Duck hood
J150R/HPVC	PVC Hood
J150R/HEMO	Mohair Hood Envelope
J150R/HEDD	Double Duck Hood Envelope
J150R/HEPVC	PVC Hood Envelope
J150R/TMO	Mohair Tonneau
J150R/TDD	Double Duck Tonneau
J150R/TPVC	PVC Tonneau

XK150 DHC

J150D/FSC	Front Seat Covers pair
J150D/RSC	Rear Seat Covers pair
J150D/AR1	Centre Armrest Cover - Handbrake on LH Side
J150D/AR2	Centre Armrest Cover - Handbrake on RH Side
J150D/CA1	Carpet Set- Wool
J150D/CAFIX	Carpet Fixing Kit
J150D/HA1	Hardura Set - Interior
J150D/HA	Harduro Set - Boot
J150D/DRP1	Door Panels inc. Pockets and Liners pair
J150D/AP	A Post Trims pair
J150D/DA1	Dash Facia Retrim Kit
J150D/DA2	Dash Top Re+rim Kit
J150D/ILP	Interior Light Panel
J150D/V1	2 Metres Vinyl
J150D/MOQ1	Moquette for Wheelarch Covers and Diff Cover

J150D/MOQ2	1 metre Moquette
J150D/FF	Door Edge Trim 7 metres
J150D/BLP	Boot Lid Panel
J150D/UP	Underdash Panels
J150D/SP	Soundproofing Kit
J150D/WS	Vinyl for Windscreen Surround

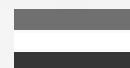
J150D/FTK Full trim kit

ADDITIONAL ITEMS

J150D/FSBF	Front Seat Backrest Foams pair
J150D/FSF	Front Seat Base Foams pair
J150D/GB	Glove Boxes - RHD ONLY pair
J150D/AR3	Door Armrests Complete Trimmed pair
J150D/RAM	Ramsay Seal
J150D/DRP2	Door Pocket Liners pair
J150D/DCF	Dash Crashrolls Foams pair
J150D/RPS	Rear Parcel Shelf
J150D/RSW	Rear Seat Wooden Bases (4 Pieces) set
J150D/RSF	Rear Seat Foams (4 Pieces) set
J150D/AR3	Backing Board For Centre Armrest inc Foam each

WEATHER EQUIPMENT

J150D/HMO	Mohair Hood
J150D/HDD	Double Duck Hood
J150D/HEMO	Mohair Hood Envelope
J150D/HEDD	Double Duck Hood Envelope
J150D/HL1	Headlining Kit - Grey
J150D/HL2	Headlining Kit - Beige
J150D/HL3	Headlining Kit - Green
J150D/WW	Hood Frame Woodwork - Complete Set
J150D/CW	Cloth and Wadding for hood padding



XK150 FHC

J150F/FSC	Front Seat Covers pair
J150F/RSC	Rear Seat Covers
J150F/AR1	Centre Armrest (handbrake on LH side)
J150F/AR2	Centre Armrest (handbrake on RH side)
J150F/CA1	Carpet Set - Wool
J150F/SP	Soundproofing Kit
J150F/HA1	Hardura Set - Interior
J150F/HA2	Hardura Set - Boot
J150F/DRP1	Door Panels inc. Pockets and Liners pair
J150F/AP	A Post Trims pair
J150F/DA1	Dash Facia Retrim Kit
J150/FDA2	Dash Top Retrim Kit
J150F/ILP	Interior Light Panel
J150F/UP	Underdash Panel
J150F/V1	2Metres Vinyl
J150F/MOQ1	1Metre Moquette
J150F/MOQ2	Moquette for Wheelarches and Diff Cover
J150F/RPS	Rear Parcel Shelf
J150F/RSP	Rear Side Panels pair
J150F/HL1	Headlining Kit - Grey
J150F/HL2	Headlining Kit - Beige
J150F/HL3	Headlining Kit - Green
J150F/BLP	Boot Lid Trim Panel
J150F/FF	Door Edge Trim - Snap On (6.5 metres)
J150FTK	Full trim kit

OPTIONAL ITEMS

J150F/FSF	Front Seat Base Foams pair
J150F/FSBF	Front Seat Backrest Foams pair
J150F/AR3	Door Armrests pair
J150F/CAFIX	Carpet Fixing Kit
J150/DCF	Dashboard Crashroll Foams pair
J150F/DRP2	Door Pocket Liners pair
J150F/GB	Glove Boxes RHD ONLY AVAILABLE pair
J150F/RS	Ramsay Seal (6.5 metres)
J150F/FSW	Woodwork for Front Seats pair
J150F/FSP	Dished Insert for Front Seat Bases pair
J150F/RSW1	Woodwork for Rear Seat Bases pair
J150F/RSW2	Woodwork for Rear Seat Backrest pair



A	
Air Filters	22
Anti-Roll Bar	30
Ashtray	83
Automatic Gearbox	18
B	
Badges, front	110
Badges, rear	110
Ball joints	30
Battery	101
Battery Bracket Assembly	101
Battery Cables	105
Bearing Set, camshaft	12
Bearing Set, con rod	5
Bearing Set, main	5
Bearings, rear axle	20
Block, cylinder	4
Body Panels XK120	42
Body Panels XK140	47
Body Panels XK150	52
Body Rubbers XK120	61
Body Rubbers XK140	66
Body Rubbers XK150	71
Bonnet	45,50,55
Boot Lid	46,51,57
Boot Lock	84
Brake Caliper Piston, front	38
Brake Caliper Piston, rear	40
Brake Disc/Pads, front	38
Brake Disc/Pads, rear	40
Brake Hoses	36
Brake Upgrade Kits	38
Brake Master Cylinder	34
Brake Pad Set, front	38
Brake Pad Set, rear	40
Brake Pipe Kit	36
Brake Wheel Cylinder, front	38
Brake Wheel Cylinder, rear	40
Brake Wheel Cylinder Repair Kit, front	38
Brake Wheel Cylinder Repair Kit, rear	40
Bulbs	96
Bumpers & fittings XK120	58
Bumpers & fittings XK140	59
Bumpers & fittings XK150	60
Bushes, front suspension	30
Bushes, rear suspension	31
C	
Camshaft Bearings	12
Camshaft Follower	12
Carburettor Components	22
Carburettor Rebuild Kits	23
Carburettors	22
Chassis Plates	109
Choke Solenoid	23
Clutch Cover	15
Clutch Kit	15
Clutch Master Cylinder	15
Clutch Pipe (flexible)	15
Clutch Plate	15
Clutch Release Bearing	15
Clutch Release Lever	15
Clutch Slave Cylinder	15
Clutch Slave Cylinder Repair Kit	15
Condenser	101
Connecting Rod Bolts	5
Connectors, electrical	105
Contact Breakers	101
D	
Dash Knob Set	83
Dash Panel	83
Decals	109
Differential	19
Dipstick, engine	5
Distributor	101
Distributor Cap	101
Door Fittings	77
Door Glass	76
Door Handle	85,89,92
Door Hinges	77
Door Skins	44,49,55
Door Strikers	77
Dynamo	101
E	
Engine Lock Tab Set	5

Engine Mountings	5
Engine ID/No Plates	109
Exhaust Systems	28
Exhaust Manifold	11
F	
Fan Belt	27
Fan, Kenlowe, electric	27
Flasher Unit	102
Float (Carburettor)	24
Float Needle & Seats	24
Flywheel	5
Flywheel Bolts	5
Fuel Gauge	99
Fuel Pipes	25
Fuel Pump Assembly	25
Fuel Sender Unit	25
Fuel Tank	25
Fuse Box	101
G	
Gasket Set, cylinder head	13
Gasket Set, bottom end	13
Gasket Set, gearbox	17
Gauges	99
Gear Lever	17
Gear Lever Knob	17
Gearbox, Automatic	18
Gearbox Gasket Set	17
Gearbox, Manual	16
Gearbox Mountings	17
Grille, radiator	86,89,92
H	
HT Lead/Set	101
Handbrake	35
Handbrake Cable	36
Handbrake Components	34
Handbrake Pad Set	40
Headlamp	95
Headlamp Rim	95
Heater	106
Heater Control Cables	106
Heater Matrix	106
Heater Motor	106
Horn	102
Horn Push	83
Hose Kit	26
Hub Cap	41
Hub, wire wheel, front	30
Hub, wire wheel, rear	20
I	
Identification Plates	109
Ignition Coil	101
Ignition Systems, electronic	103
Indicator lamps	95
Instruments	99
J	
Jack	108
Jet Assembly (SU Carb)	23
K	
Knock Off Hammer	108
Knock Offs (Spinners)	41
L	
Lamps	94
Locking wire	9
M	
Manifold, exhaust	11
Mirrors	81
Mountings, Engine	5
N	
Needles (Carbs)	23
Nut, cylinder head	11
O	
Oil Filter Spin Off Kit	7
Oil Filter Element	7
Oil Pressure Release Valve	7
Oil Pump	6
Oil Seals, rear axle	20
Over rider	58,59,60

P	
Piston Ring Sets	5
Piston Sets	5
Polybush Kits	30
Production Data	2
Propshaft & Fittings	18
Pulley, crankshaft	6
R	
Radiator	26
Radiator Cap	26
Radiator Hose Kits	26
Rear Axle Differential	19
Rear lamps	95
Relay Unit, indicator	102
Rotor Arm	101
S	
Seal Kit, front & rear brakes	38,40
Sender Unit, Brake Fluid	34
Sender Unit, Fuel	25
Shock Absorber, front	30
Shock Absorber, rear	31
Sills	44,49,54
Spark Plug	101
Speedometer	99
Speedometer Cable	99
Spinners	41
Spring, rear, coil	31
Sprocket, camshaft	9
Sprocket, crankshaft	5
Steering Gaiters	33
Steering Joints	33
Steering Rack	33
Steering Wheel	33
Stud, cylinder head	5
Stud, exhaust manifold	11
Sunvisors	83
Suspension Overhaul Kits	30
Switches	98/99
T	
Tachometer	99
Tail lamp	95
Tappet (Cam Follower)	12
Thermostat	12
Timing Chain	9
Timing Chain Tensioner	9
Torsion Bars	30
Tools	107
Trim Kits	111-115
U	
Universal Joint, propshaft	18
V	
Vacuum Advance Pipe	24
Vacuum Advance Unit	101
Valve Guides	12
Valve, engine	11
W	
Washer Bottle	104
Washer Jet Assembly	104
Water Pump	8
Wheels, wire	41
Windows	76
Windscreen	76
Wiper Arm	104
Wiper Blade	104
Wiper Motor	104
Wire Wheel Brush	107
Wiring Looms	105