



## Welcome to the SNG Barratt Jaguar XJ6/12 Parts Catalogue

Following the Worldwide success of our Definitive Jaguar Owners Catalogue which covers over 20 classic models in one 300 page publication we have taken the decision to release a range of more detailed catalogues for each of the more popular models that we cover. This will allow us to better illustrate the parts we have available and to make identification of the item required a little easier.

### How to use this catalogue...

Use the illustration in each section to identify the component that you require. Note the indicated item number and find the corresponding number in the section listing. There you will see our part number for that item and to it's right the quantity required per car. Very often this will be the original Jaguar part number, thus allowing you to refer to an original factory parts catalogue if more detail is required.

Each part number is listed in our price list. This listed price is per item and is plus VAT except in the case of books and other VAT exempt items.

If you then quote this part number when contacting our sales department, we will be able to confirm the cost and whether we have the part in stock.

If you cannot conclusively identify the item that you require then please call and we will to assist you. Our staff have many years of experience with all aspects of the Jaguar marque and may have the just the answer...



### Your customer number

Upon dealing with SNG Barratt for the first time you will be allocated a customer number. In many cases this will be your UK postcode. If you are overseas your sales advisor will use either your zip code or a number made using your surname. This customer number can either be found on your invoice or simply by asking the person serving you. The ability to provide your customer number when contacting our sales department will allow us to access your information far faster and serve you even more efficiently.

**Customer number**.....

### Your vehicle details

Please complete this section as accurate vehicle information at your finger tips will prove to be invaluable. Very often identifying the correct part for you car can be all down to chassis or engine number. These details can best be found on the car itself, as registration documents can often prove to be incorrect due to engine swaps and vehicle upgrades that the DVLA have not been advised of. Please refer to the Vehicle Identification section on page 2 if you wish to cross reference any information.

**Year of manufacture**.....

**Chassis/VIN number**.....

**Engine** 2.8 / 3.4 / 4.2 / 5.3

**Engine number**.....

**Gearbox** Automatic / Manual



+44 (0) 1746 765432  
sales.uk@sngbarratt.com



+1 603 622 1050  
sales.usa@sngbarratt.com



+33 3 85 201 420  
sngbarratt.france@wanadoo.fr



+31 13 52 11 552  
verkoop@sngbarratt.com



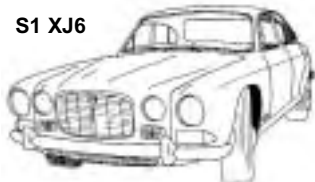
# Vehicle Identification

Buy on-line at [www.sngbarratt.com](http://www.sngbarratt.com)



|  | <u>Chassis Number</u> | <u>Engine Number</u> | <u>Production Commenced</u> | <u>Production Ceased</u> |
|--|-----------------------|----------------------|-----------------------------|--------------------------|
| <u>JAGUAR XJ6 S1 2.8 SWB</u>                 |                       |                      |                             |                          |
| RHD  | 1G1001                | 7G1001               | SEPTEMBER 1968              | MAY 1973                 |
| LHD  | 1G50001               | -                    | -                           | -                        |
| <u>DAIMLER SOV S1 2.8 SWB</u>                |                       |                      |                             |                          |
| RHD  | 1T1001                | 7G1001               | OCTOBER 1969                | MAY 1973                 |
| <u>JAGUAR XJ6 S1 4.2 SWB</u>                 |                       |                      |                             |                          |
| RHD  | 1L1001                | 7L1001               | SEPTEMBER 1968              | JULY 1973                |
| LHD  | 1L50001               | -                    | -                           | -                        |
| <u>DAIMLER SOVEREIGN S1 4.2 SWB</u>          |                       |                      |                             |                          |
| RHD  | 1U1001                | 7L1001               | OCTOBER 1969                | JULY 1973                |
| <u>JAGUAR XJ6 S1 4.2 LWB</u>                 |                       |                      |                             |                          |
| RHD  | 2E1001                | 7L1001               | OCTOBER 1972                | JULY 1973                |
| LHD  | 2E50001               | -                    | -                           | -                        |
| <u>DAIMLER SOVEREIGN S1 4.2 LWB</u>          |                       |                      |                             |                          |
| RHD  | 2D1001                | 7L1001               | OCTOBER 1972                | JULY 1973                |
| <u>JAGUAR XJ12 S1 5.3</u>                    |                       |                      |                             |                          |
| RHD  | 1P1001                | 7P1001               | JULY 1972                   | AUGUST 1973              |
| LHD  | 1P50001               | -                    | -                           | -                        |
| <u>DAIMLER DOUBLE SIX S1 5.3</u>             |                       |                      |                             |                          |
| RHD  | 2A1001                | 7P1001               | JULY 1972                   | AUGUST 1973              |
| LHD  | 2A50001               | -                    | -                           | -                        |
| <u>JAGUAR XJ12L S1 5.3 LWB</u>               |                       |                      |                             |                          |
| RHD  | 2C1001                | 7P1001               | OCTOBER 1972                | AUGUST 1973              |
| LHD  | 2C50001               | -                    | -                           | -                        |
| <u>DAIMLER DOUBLE SIX VANDEN PLAS S1 5.3</u> |                       |                      |                             |                          |
| RHD  | 2B1001                | 7P1001               | SEPTEMBER 1972              | AUGUST 1973              |
| LHD  | 2B50001               | -                    | -                           | -                        |

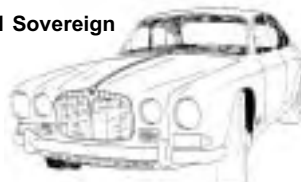
S1 XJ6



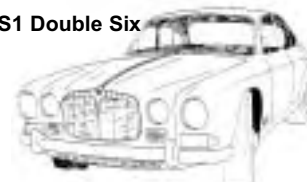
S1 XJ12



S1 Sovereign



S1 Double Six



|                                 |         |                         |                |               |
|---------------------------------|---------|-------------------------|----------------|---------------|
| <u>JAGUAR XJ6 S2 2.8</u>        |         |                         |                |               |
| LHD                             | 2U50001 | 7G25000                 | SEPTEMBER 1973 | NOVEMBER 1973 |
| <u>JAGUAR XJ6 S2 4.2</u>        |         |                         |                |               |
| RHD                             | 2N1001  | 7L 74000/8L1001         | SEPTEMBER 1973 | NOVEMBER 1974 |
| LHD                             | 2N50001 | -                       | -              | -             |
| <u>DAIMLER SOVEREIGN S2 4.2</u> |         |                         |                |               |
| RHD                             | 2M1001  | 7L 74000/8L1001         | SEPTEMBER 1973 | NOVEMBER 1974 |
| LHD                             | 2M50001 | -                       | -              | -             |
| <u>JAGUAR XJ6 S2 4.2L LWB</u>   |         |                         |                |               |
| RHD                             | 2T1001  | 7L 74000/8L1001         | SEPTEMBER 1973 | FEBRUARY 1979 |
| LHD                             | 2T50001 | -                       | -              | -             |
| <u>DAIMLER SOV S2 4.2 LWB</u>   |         |                         |                |               |
| RHD                             | 2S1001  | 7L 74000/8L1001         | SEPTEMBER 1973 | FEBRUARY 1979 |
| LHD                             | 2S50001 | -                       | -              | -             |
| <u>JAGUAR XJ12L S2 5.3 LWB</u>  |         |                         |                |               |
| RHD                             | 2R1001  | 7P4000 carb/7P25001 inj | SEPTEMBER 1973 | FEBRUARY 1979 |
| LHD                             | 2R50001 | -                       | -              | -             |



# Vehicle Identification

Buy on-line at [www.sngbarratt.com](http://www.sngbarratt.com)

|   | <u>Chassis Number</u> | <u>Engine Number</u>    | <u>Production Commenced</u> | <u>Production Ceased</u> |
|---|-----------------------|-------------------------|-----------------------------|--------------------------|
| <b>DAIMLER DOUBLE SIX S2 5.3 LWB</b>          |                       |                         |                             |                          |
| RHD   | 2K1001                | 7P4000 carb/7P25001 inj | SEPTEMBER 1973              | FEBRUARY 1979            |
| LHD   | 2K50001               | -                       | -                           | -                        |
| <b>DAIMLER DOUBLE SIX S2 5.3 VANDEN PLAS</b>  |                       |                         |                             |                          |
| RHD   | 2P1001                | 7P4000 carb/7P25001 inj | SEPTEMBER 1973              | NOVEMBER 1979            |
| LHD   | 2P50001               | -                       | -                           | -                        |
| <b>JAGUAR XJ6C S2 4.2 2 DOOR COUPE</b>        |                       |                         |                             |                          |
| RHD   | 2J1001                | 7L 74000/8L1001         | OCTOBER 1974                | NOVEMBER 1977            |
| LHD   | 2J50001               | -                       | -                           | -                        |
| <b>DAIMLER SOVEREIGN S2 4.2 2 DOOR COUPE</b>  |                       |                         |                             |                          |
| RHD   | 2H1001                | 7L 74000/8L1001         | OCTOBER 1974                | NOVEMBER 1977            |
| LHD   | 2H50001               | -                       | -                           | -                        |
| <b>JAGUAR XJ12 S2 5.3 2 DOOR COUPE</b>        |                       |                         |                             |                          |
| RHD   | 2G1001                | 7P4000 carb/7P25001 inj | OCTOBER 1974                | NOVEMBER 1977            |
| LHD   | 2G50001               | -                       | -                           | -                        |
| <b>DAIMLER DOUBLE SIX S2 5.3 2 DOOR COUPE</b> |                       |                         |                             |                          |
| RHD   | 2F1001                | 7P4000 carb/7P25001 inj | OCTOBER 1974                | NOVEMBER 1977            |
| LHD   | 2F50001               | -                       | -                           | -                        |
| <b>JAGUAR XJ6 S2 3.4</b>                      |                       |                         |                             |                          |
| RHD   | 3A1001                | 8A1001                  | APRIL 1975                  | FEBRUARY 1979            |
| LHD   | 3A50001               | -                       | -                           | -                        |
| <b>DAIMLER SOVEREIGN S2 3.4</b>               |                       |                         |                             |                          |
| RHD   | 3B1001                | 8A1001                  | APRIL 1975                  | FEBRUARY 1979            |
| LHD   | 3B50001               | -                       | -                           | -                        |
| <b>DAIMLER VAN DEN PLAS S2 4.2</b>            |                       |                         |                             |                          |
| RHD   | 3C1001                | 7L 74000/8L1001         | APRIL 1975                  | FEBRUARY 1979            |
| LHD   | 3C50001               | -                       | -                           | -                        |



**ALL JAGUAR & DAIMLER SERIES 3 4.2 & 5.3 MODELS**  
 All models use the same VIN number system to identify the exact model and production data from approximately April 1978 1978

|                        |                  |  |
|------------------------|------------------|--|
| <b>Letters 1, 2, 3</b> | SAJ<br>SAD       | Jaguar<br>Daimler  |
| <b>Letter 4</b>        | J<br>D           | Jaguar<br>Daimler  |
| <b>Letter 5</b>        | A<br>B<br>C<br>D | Jaguar 6cyl<br>Jaguar 12cyl<br>Daimler 6cyl<br>Daimler 12cyl |
| JAALA3CC               | XJ6              | 3.4 litre RHD Automatic                                      |
| JAALA4CC               | XJ6              | 3.4 litre LHD Automatic                                      |
| JAALA7CC               | XJ6              | 3.4 litre RHD Manual   |
| JAALA8CC               | XJ6              | 3.4 litre LHD Manual   |
| JAALP3CC               | XJ6              | 4.2 litre RHD Automatic                                      |
| JAALP4CC               | XJ6              | 4.2 litre LHD Automatic                                      |
| JAALP7CC               | XJ6              | 4.2 litre RHD Manual   |

|          |               |           |     |                             |
|----------|---------------|-----------|-----|-----------------------------|
| JAALP8CC | XJ6           | 4.2 litre | LHD | Manual                      |
| JAVLN49C | XJ6           | 4.2 litre | LHD | Automatic - CDN/USA 1979    |
| JAALR3CC | XJ6           | 4.2 litre | RHD | Automatic - Australia       |
| JAALR4CC | XJ6           | 4.2 litre | LHD | Automatic - Sweden          |
| JAJLN3CC | XJ6           | 4.2 litre | RHD | Automatic - Japan           |
| JAJLN4CC | XJ6           | 4.2 litre | LHD | Automatic - Japan           |
| DCALA3CC | Sovereign     | 3.4 litre | RHD | Automatic                   |
| DCALA4CC | Sovereign     | 3.4 litre | LHD | Automatic                   |
| DCALA7CC | Sovereign     | 3.4 litre | RHD | Manual                      |
| DCALA8CC | Sovereign     | 3.4 litre | LHD | Manual                      |
| DCALP3CC | Sovereign     | 4.2 litre | RHD | Automatic                   |
| DCALP4CC | Sovereign     | 4.2 litre | LHD | Automatic                   |
| DCALP7CC | Sovereign     | 4.2 litre | RHD | Manual                      |
| DCALP8CC | Sovereign     | 4.2 litre | LHD | Manual                      |
| DCALR3CC | Sovereign     | 4.2 litre | RHD | Automatic - Australia       |
| DCRLP3CC | Vanden Plas   | 4.2 litre | RHD | Automatic                   |
| DCRLP4CC | Vanden Plas   | 4.2 litre | LHD | Automatic                   |
| DCRLR3CC | Vanden Plas   | 4.2 litre | RHD | Automatic - Australia       |
| JBALW49C | XJ12          | 5.3 litre | RHD | Automatic                   |
| JBALW4CC | XJ12          | 5.3 litre | LHD | Automatic                   |
| JBVLV49C | XJ12          | 5.3 litre | LHD | Automatic - CDN/USA 1979    |
| JBALY3CC | XJ12          | 5.3 litre | RHD | Automatic - Australia       |
| JBJLV3CC | XJ12          | 5.3 litre | RHD | Automatic - Japan           |
| JBJLV4CC | XJ12          | 5.3 litre | LHD | Automatic - Japan           |
| JBVLX49C | XJ12          | 5.3 litre | LHD | Automatic - California 1979 |
| DDALW3CC | Double-Six    | 5.3 litre | RHD | Automatic                   |
| DDALW4CC | Double-Six    | 5.3 litre | LHD | Automatic                   |
| DDALY3CC | Double-Six    | 5.3 litre | RHD | Automatic - Australia       |
| DDRLW3CC | Double-Six VP | 5.3 litre | RHD | Automatic                   |
| DDRLW4CC | Double-Six VP | 5.3 litre | LHD | Automatic                   |
| DDRLY3CC | Double-Six VP | 5.3 litre | RHD | Automatic - Australia       |
| DDRLV3CC | Double-Six VP | 5.3 litre | RHD | Automatic - Japan           |



+44 (0) 1746 765432  
[sales.uk@sngbarratt.com](mailto:sales.uk@sngbarratt.com)



+1 603 622 1050  
[sales.usa@sngbarratt.com](mailto:sales.usa@sngbarratt.com)



+33 3 85 201 420  
[sngbarratt.france@wanadoo.fr](mailto:sngbarratt.france@wanadoo.fr)



+31 13 52 11 552  
[verkoop@sngbarratt.com](mailto:verkoop@sngbarratt.com)



# Guide to Contents

Buy on-line at [www.sngbarratt.com](http://www.sngbarratt.com)



## **Engine**

|                           |    |
|---------------------------|----|
| 2.8/3.4/4.2 Engine Block  | 5  |
| 2.8/3.4/4.2 Oil Pump      | 7  |
| 2.8/3.4/4.2 Water Pump    | 8  |
| 2.8/3.4/4.2 Oil Filter    | 9  |
| 2.8/3.4/4.2 Cylinder Head | 10 |
| 2.8/3.4/4.2 Timing Gear   | 12 |

|                   |    |
|-------------------|----|
| 5.3 Engine Block  | 13 |
| 5.3 Oil Pump      | 14 |
| 5.3 Water Pump    | 15 |
| 5.3 Oil Filter    | 15 |
| 5.3 Cylinder Head | 16 |
| 5.3 Timing Gear   | 18 |

|                                       |    |
|---------------------------------------|----|
| 6 & 12 Cylinder Oil Coolers           | 18 |
| Quick Reference Engine Service Spares | 24 |

## **Fuel System**

|                          |    |
|--------------------------|----|
| XJ6 SU HD8 Carburettors  | 19 |
| XJ6 SU HS8 Carburettors  | 20 |
| XJ6 SU HIF7 Carburettors | 21 |

|                           |    |
|---------------------------|----|
| Stromberg Carburettors    | 22 |
| Fuel Injection Components | 23 |

## **Transmission**

|                          |    |
|--------------------------|----|
| XJ6 Clutch               | 25 |
| Manual Gearbox XJ6 S1/2  | 26 |
| Manual Gearbox XJ6 S3    | 27 |
| Automatic Gearbox Spares | 28 |
| Propshaft                | 29 |
| Differential             | 30 |

## **Brakes, Suspension & Steering**

|                           |    |
|---------------------------|----|
| Front Suspension          | 31 |
| Rear Suspension           | 33 |
| Front & Rear Brakes       | 35 |
| Handbrake Calipers        | 36 |
| Braking System Components | 37 |
| Roadwheels                | 39 |
| Steering                  | 41 |

## **Cooling, Exhaust & Fuel Systems**

|                  |    |
|------------------|----|
| Cooling System   | 43 |
| Exhaust Systems  | 46 |
| Exhaust Fittings | 48 |
| Fuel System      | 49 |

## **Body & Body Fittings**

|             |    |
|-------------|----|
| Body Panels | 51 |
|-------------|----|

|                                    |    |
|------------------------------------|----|
| Body Rubbers                       | 55 |
| 2 Door Coupe Door & Window Rubbers | 57 |
| Body Glass                         | 58 |

|                      |    |
|----------------------|----|
| Series 1 & 2 Bumpers | 60 |
| Series 3 Bumpers     | 62 |

|                        |    |
|------------------------|----|
| Series 1 Body Fittings | 64 |
| Series 2 Body Fittings | 66 |
| Series 3 Body Fittings | 68 |

## **Lighting & Electrical System**

|                      |    |
|----------------------|----|
| Lamps & Lighting     | 70 |
| Wash Wipe Components | 73 |

|                            |    |
|----------------------------|----|
| Series 1 Switches & Gauges | 75 |
| Series 2 Switches & Gauges | 77 |
| Series 3 Switches & Gauges | 79 |

|                                     |    |
|-------------------------------------|----|
| General Electrics                   | 81 |
| Electronic Ignition Conversion Kits | 84 |

## **Miscellaneous**

|                           |    |
|---------------------------|----|
| Heater & Air Conditioning | 85 |
|---------------------------|----|

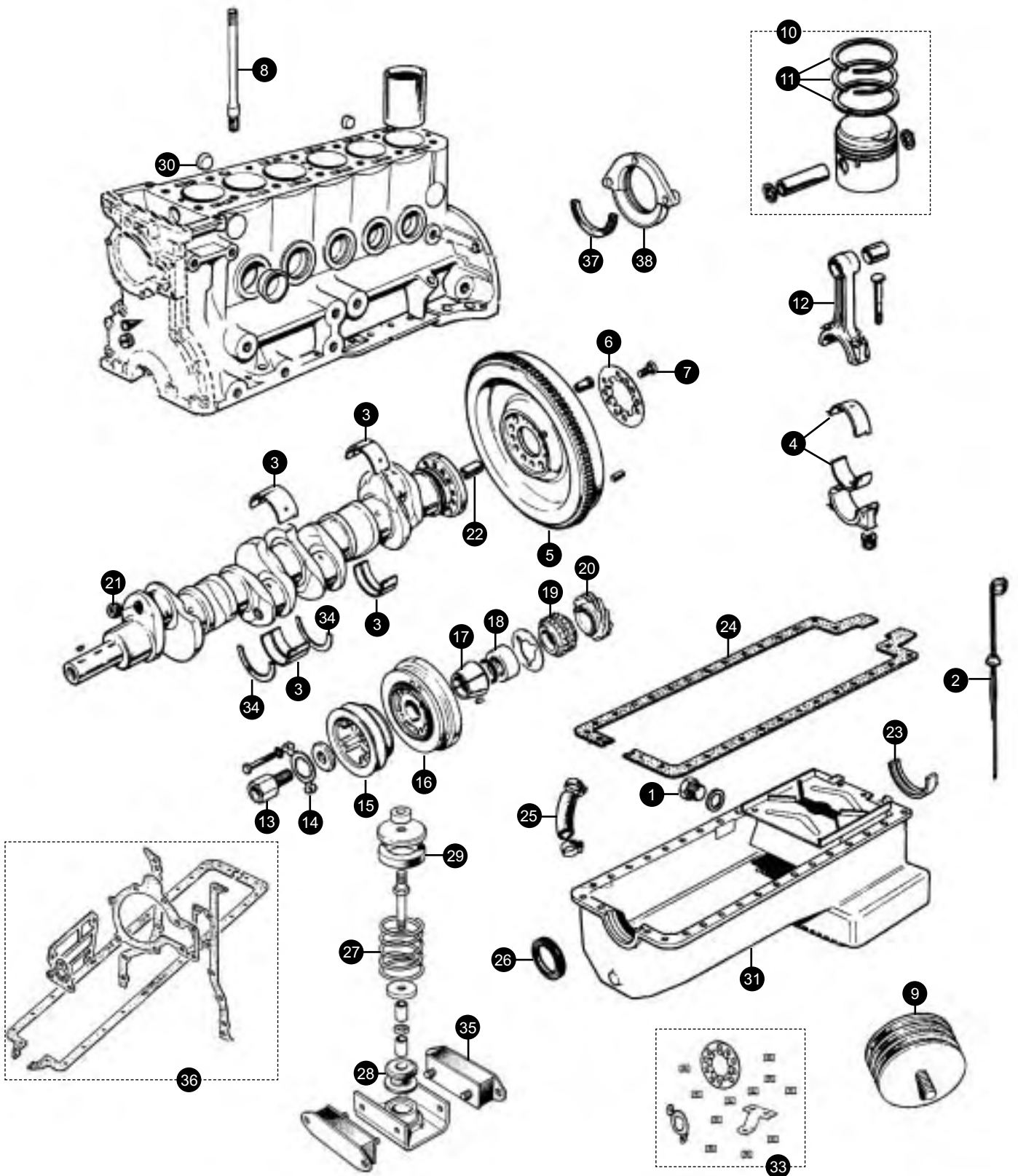
|                   |    |
|-------------------|----|
| Series 1 Tool Kit | 87 |
| Series 2 Tool Kit | 88 |
| Series 3 Tool Kit | 89 |

|                 |    |
|-----------------|----|
| Motifs & Decals | 90 |
| Interior Trim   | 91 |
| Master Index    | 93 |



# 2.8, 3.4 & 4.2 Engine Block

Buy on-line at [www.sngbarratt.com](http://www.sngbarratt.com)



+44 (0) 1746 765432  
[sales.uk@sngbarratt.com](mailto:sales.uk@sngbarratt.com)



+1 603 622 1050  
[sales.usa@sngbarratt.com](mailto:sales.usa@sngbarratt.com)



+33 3 85 201 420  
[sngbarratt.france@wanadoo.fr](mailto:sngbarratt.france@wanadoo.fr)



+31 13 52 11 552  
[verkoop@sngbarratt.com](mailto:verkoop@sngbarratt.com)



# 2.8, 3.4 & 4.2 Engine Block

Buy on-line at [www.sngbarratt.com](http://www.sngbarratt.com)



|  |               |       |
|--|---------------|-------|
| <b>1. Sump drain plug</b>              | C23435        | 1     |
| <b>Sump drain plug washer</b>          | C2296/1       | 1     |
| <b>2. Oil level dipstick</b>           |               |       |
| XJ6 3.4                                | EAC6713       | 1     |
| XJ6 4.2                                | EAC6713       | 1     |
| <b>3. Crankshaft main bearings</b>     |               |       |
| XJ6 3.4                                | M7373LC       | 1 set |
| XJ6 4.2                                | M7294LC       | 1 set |
| Available in standard to +40 sizes     |               |       |
| <b>4. Connecting rod bearings</b>      |               |       |
| All models                             | B6545LC       | 1 set |
| N.B.Available in standard to +40 sizes |               |       |
| <b>5. Manual gearbox flywheel</b>      |               |       |
| XJ6 2.8                                | C23328R       | 1     |
| XJ6 3.4                                | EAC1689       | 1     |
| XJ6 4.2                                | EAC1689       | 1     |
| <b>6. Flywheel lock tab</b>            |               |       |
| All models                             | C4810         | 1     |
| <b>7. Flywheel bolts</b>               |               |       |
| ALL MODELS manual                      | C4855         | 10    |
| All models automatic                   | C6839         | 10    |
| <b>8. Cylinder head studs</b>          |               |       |
| XJ6 2.8 to 7G4623                      | 164mm C29035  | 10    |
|  | 173mm C23609* | 3     |
|  | 175mm C23610  | 1     |
| 7G4624-7G23685                         | 164mm C29035  | 10    |
|  | 173mm C23609* | 2     |
|  | 175mm C23610  | 2     |
| 7G23686 on                             | 164mm C29035  | 10    |
|  | C41023        | 4     |
| XJ6 3.4                                | 177mm C39312  | 10    |
|  | C39313        | 4     |
| XJ6 S1 4.2 to 7L1175                   | 164mm C29035  | 1     |
|  | 173mm C23609* | 3     |
|  | 175mm C23610  | 10    |
| 7L1176-7L66597                         | 323mm C29033  | 5     |
|  | 327mm C38073  | 4     |
|  | C38072        | 1     |
|  | 164mm C29035  | 4     |
| 7L66598                                | 323mm C29033  | 7     |
|  | 327mm C38073  | 3     |
|  | 170mm C42355  | 1     |
| XJ6 S2/3 4.2                           | 323mm C29033  | 7     |
|  | 164mm C29035  | 3     |
|  | 327mm C38073  | 3     |
|  | 170mm C42355  | 1     |

|                           |           |   |
|---------------------------|-----------|---|
| <b>9. Engine mounting</b> |           |   |
| XJ6 2.8                   | MHC7521AA | 2 |
| XJ6 3.4                   | MHC7521AA | 2 |
| XJ6 4.2 S2 Non aircon     | MHC7521AA | 2 |
| XJ6 4.2 Air con           | JLM1009   | 2 |

|                          |                  |         |
|--------------------------|------------------|---------|
| <b>10. Engine piston</b> |                  |         |
| XJ6 2.8                  | C33093S          | 6       |
| XJ6 3.4                  | C42505           | 6       |
| XJ6 4.2                  | Std compression  | EAC6866 |
|                          | High compression | EAC6865 |

Available in a range of oversizes, please check with our sales department for current availability.

|                            |          |   |
|----------------------------|----------|---|
| <b>11. Piston ring set</b> |          |   |
| XJ6 3.4                    | RTC2444S | 6 |
| XJ6 4.2 S1/2               | RTC2443S | 6 |
| XJ6 4.2 S3                 | JLM324   | 6 |

|                                      |          |       |
|--------------------------------------|----------|-------|
| <b>12. Crankshaft connecting rod</b> |          |       |
| All models except 2.8                | RTC2995E | 1 set |
| Connecting rod bolt                  | C32344   | 12    |
| Connecting rod nut                   | EAC5541  | 12    |

|                                   |        |   |
|-----------------------------------|--------|---|
| <b>13. Crankshaft pulley bolt</b> |        |   |
| XJ6 3.4                           | C23424 | 1 |
| XJ6 4.2                           | C23424 | 1 |

|                                |        |   |
|--------------------------------|--------|---|
| <b>14. Pulley bolt locktab</b> | C23158 | 1 |
|--------------------------------|--------|---|

|                              |        |   |
|------------------------------|--------|---|
| <b>15. Crankshaft pulley</b> |        |   |
| XJ6 All models non air con   | C27754 | 1 |
| XJ6 All models air con       | C23131 | 1 |

|                              |         |   |
|------------------------------|---------|---|
| <b>16. Crankshaft damper</b> |         |   |
| XJ6 3.4                      | C40111  | 1 |
| XJ6 4.2                      | EAC4050 | 1 |

|                              |        |   |
|------------------------------|--------|---|
| <b>17. Crankshaft cone</b>   | C2466  | 1 |
| <b>18. Distance piece</b>    | C40147 | 1 |
| <b>19. Timing chain gear</b> | C2170  | 1 |
| <b>20. Pump drive gear</b>   | C2314  | 1 |

|                                   |        |   |
|-----------------------------------|--------|---|
| <b>21. Crankshaft sludge plug</b> | C23761 | 6 |
|-----------------------------------|--------|---|

|                            |          |   |
|----------------------------|----------|---|
| <b>22. Spigot bearing</b>  |          |   |
| All models to XJ6 Series 3 | C2226    | 1 |
| XJ6 Series 3               | UKC8154J | 1 |

|                                |         |      |
|--------------------------------|---------|------|
| <b>23. Rear sump oil seal</b>  | C36499  | 1    |
| <b>24. Sump gasket</b>         | C19590  | 1 pr |
| <b>25. Oil return hose</b>     | EAC8531 | 1    |
| <b>26. Front sump oil seal</b> | EAC8815 | 1    |

|  |                  |         |
|--|------------------|---------|
| <b>27. Rear engine mounting spring (gearbox)</b> |                  |         |
| XJ6 Ser 1 standard                               | C459021          | 1       |
|  | C12299           | 1       |
| XJ6 Ser 2 manual to 100780                       | C12299           | 1       |
|  | manual 100781 on | C459021 |



# 2.8, 3.4 & 4.2 Engine Block

Buy on-line at [www.sngbarratt.com](http://www.sngbarratt.com)

|   |      |          |     |
|---|------|----------|-----|
| XJ6 Ser 2 auto models                     |      | C459021  | 1   |
| XJ6 Ser 3                                 |      | C459021  | 1   |
| <b>28. Rear engine spring centre bush</b> |      | CAC3227  | 1   |
| <b>29. Rear engine spring seat</b>        |      | CBC2517  | 1/2 |
| <b>30. Core plug</b>                      |      |          |     |
| XJ6 2.8                                   | 25mm | C317     | 2   |
|   | 23mm | C168622  | 1   |
|   | 41mm | C168628  | 6/9 |
| XJ6 3.4 early to S3 337107                | 25mm | C317     | 2   |
| late S3 337108 on                         | 23mm | C168622  | 2   |
| Plus.....                                 | 26mm | C168623  | 1   |
|   | 32mm | C168625  | 2   |
|   | 41mm | C168628  | 9   |
| XJ6 4.2 early S3 to 337430                | 25mm | C317     | 2   |
|   | 23mm | C168622  | 1   |
|   | 32mm | C16862/5 | 2   |
|   | 41mm | C168628  | 9   |

|          |      |          |   |
|----------|------|----------|---|
| Late S 3 | 26mm | C168622  | 3 |
|          | 32mm | C16862/5 | 2 |
|          | 41mm | C168628  | 9 |

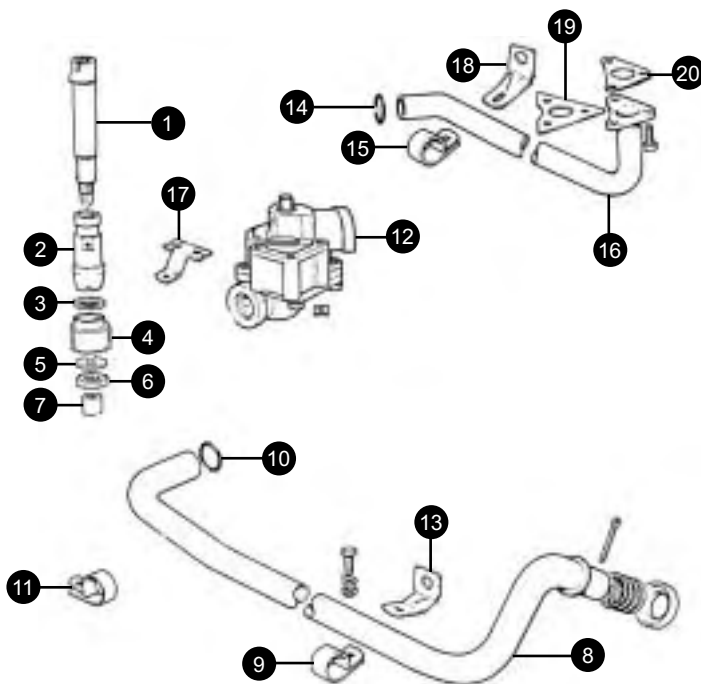
|                          |         |   |
|--------------------------|---------|---|
| <b>31. Oil sump</b>      | EAC1254 | 1 |
| <b>32. Sump strainer</b> | EAC1958 | 1 |

|                                |        |   |
|--------------------------------|--------|---|
| <b>33. Engine lock tab set</b> |        |   |
| 3.4 engines                    | EN1034 | 1 |
| 4.2 engines                    | EN1030 | 1 |

|                                      |         |   |
|--------------------------------------|---------|---|
| <b>34. Crankshaft thrust washers</b> |         |   |
| Standard size                        | C34744  | 2 |
| Oversize 0.004" approx               | C347441 | 2 |

|   |        |   |
|---|--------|---|
| <b>35. Gearbox/engine mounting block</b>    | C32461 | 2 |
| <b>36. Lower engine gasket set</b>          | EH690  | 1 |
| <b>37. Rear crankshaft rope oil seal</b>    | C19654 | 2 |
| <b>38. Rear crankshaft oil seal housing</b> | C19687 | 1 |

# 2.8, 3.4 & 4.2 Oil Pump

Buy on-line at [www.sngbarratt.com](http://www.sngbarratt.com)

|  |            |   |
|--|------------|---|
| <b>1. Oil pump drive shaft</b>             | C8646      | 1 |
| <b>Woodruff key</b>                        | C753       | 1 |
| <b>2. Drive shaft bush</b>                 | C8647      | 1 |
| <b>3. Oil pump gear washer</b>             | C2393      | 1 |
| <b>4. Oil pump gear</b>                    | C2152      | 1 |
| <b>5. Oil pump gear lock washer</b>        | C2151      | 1 |
| <b>6. Oil pump gear lock nut</b>           | NT609041   | 1 |
| <b>7. Oil pump drive shaft coupling</b>    | C8648      | 1 |
| <b>8. Oil suction pipe</b>                 | C21762     | 1 |
| <b>9. Oil suction pipe retaining clip</b>  | C21794     | 1 |
| <b>10. Sealing ring</b>                    | C21848     | 1 |
| <b>11. Oil suction pipe retaining clip</b> | C21794     | 1 |
| <b>12. Oil pump assembly*</b>              | C21765/2*  | 1 |
| <b>High flow alternative</b>               | C21765/2HP | 1 |
| <b>13. Bracket</b>                         | C28367 RH  | 1 |
|  | C28368 LH  | 1 |
| <b>14. Sealing ring</b>                    | C8649      | 1 |
| <b>15. Delivery pipe clip</b>              | C6824      | 1 |
| <b>16. Oil delivery pipe</b>               | C22595     | 1 |
| <b>17. Oil pump strut</b>                  | C21793     | 1 |
| <b>18. Oil pipe support</b>                | C28369     | 1 |
| <b>19. Tab washer</b>                      | C22952     | 1 |
| <b>20. Gasket</b>                          | C22598     | 1 |



+44 (0) 1746 765432  
sales.uk@sngbarratt.com



+1 603 622 1050  
sales.usa@sngbarratt.com



+33 3 85 201 420  
sngbarratt.france@wanadoo.fr

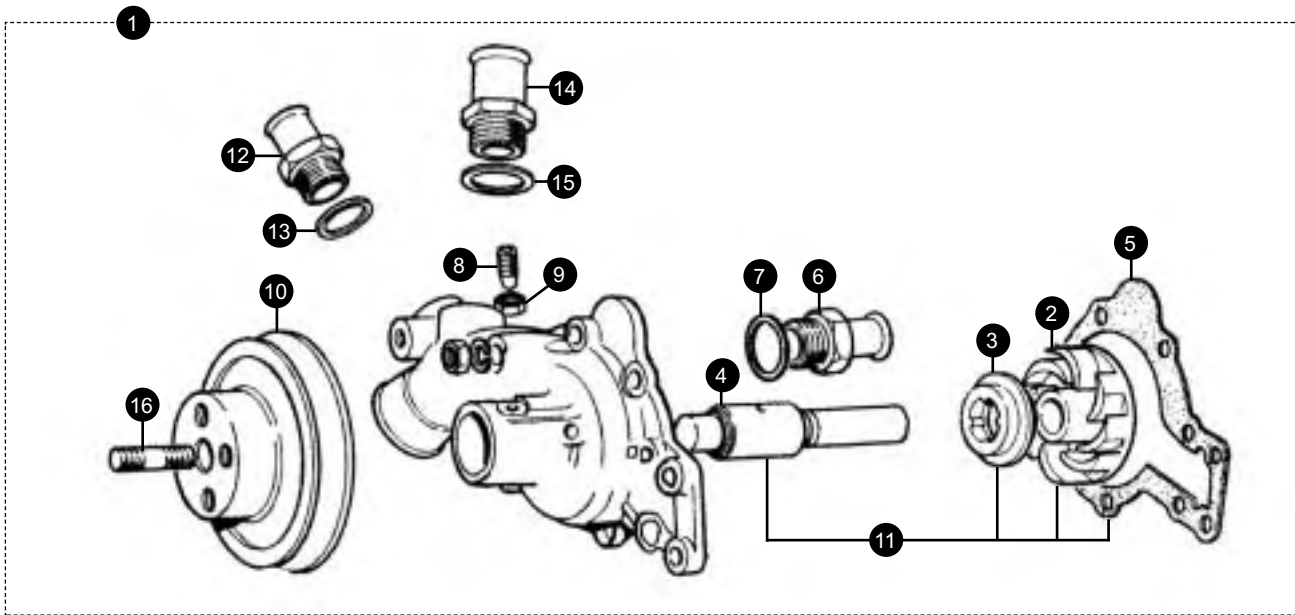


+31 13 52 11 552  
verkoop@sngbarratt.com



# 2.8, 3.4 & 4.2 Water Pump

Buy on-line at [www.sngbarratt.com](http://www.sngbarratt.com)



**1. Water pump assembly**

|                     |         |   |
|---------------------|---------|---|
| S1/2 2.8 early      | JLM9694 | 1 |
| S1/2 2.8 late       | JLM9695 | 1 |
| S1 4.2              | JLM387R | 1 |
| S2 4.2              | GWP427  | 1 |
| S3 with metal fan   | GWP427  | 1 |
| S3 with plastic fan | GWP428  | 1 |

**2. Impellor**

|         |   |
|---------|---|
| EAC3202 | 1 |
|---------|---|

**3. Seal**

|                 |         |   |
|-----------------|---------|---|
| S1/2 & early S3 | ADU6170 | 1 |
| Late S3         | EAC6447 | 1 |

**4. Bearing**

|                 |           |   |
|-----------------|-----------|---|
| S1/2 & early S3 | C23417/1  | 1 |
| Late S3         | NBC2209BA | 1 |

**5. Gasket**

|        |   |
|--------|---|
| C28656 | 1 |
|--------|---|

**6. Heater outlet adaptor**

|        |   |
|--------|---|
| C17421 | 1 |
|--------|---|

**7. Sealing washer**

|         |   |
|---------|---|
| C2296/1 | 1 |
|---------|---|

**8. Locating grub screw**

|        |   |
|--------|---|
| C23128 | 1 |
|--------|---|

**9. Locknut**

|           |   |
|-----------|---|
| NT604041J | 1 |
|-----------|---|

**10. Pulley**

|  |         |   |
|--|---------|---|
| XJ6 S1                                     | C28608  | 1 |
| XJ6 S2/3 metal fan type/centre bolt fixing | C40128  | 1 |
| XJ6 S3 plastic fan type/4 bolt fixing      | EAC6306 | 1 |

**11. Water pump repair kit**

|                                    |        |   |
|------------------------------------|--------|---|
| Bearing, seal, gasket and impellor | PK5505 | 1 |
|------------------------------------|--------|---|

**12. Water outlet adaptor**

|     |        |   |
|-----|--------|---|
| 2.8 | C17421 | 1 |
|-----|--------|---|

**13. Sealing washer**

|         |   |
|---------|---|
| C2296/1 | 1 |
|---------|---|

**14. Water outlet adaptor**

|     |        |   |
|-----|--------|---|
| 2.8 | C26852 | 1 |
| 4.2 | C30962 | 1 |

**15. Sealing washer**

|        |   |
|--------|---|
| C22962 | 1 |
|--------|---|

**16. Fan drive unit mounting stud**

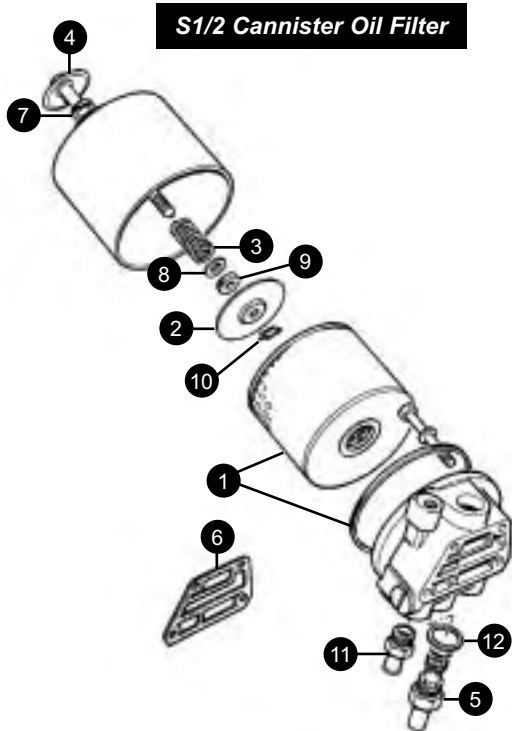
|        |   |
|--------|---|
| C16751 | 4 |
|--------|---|



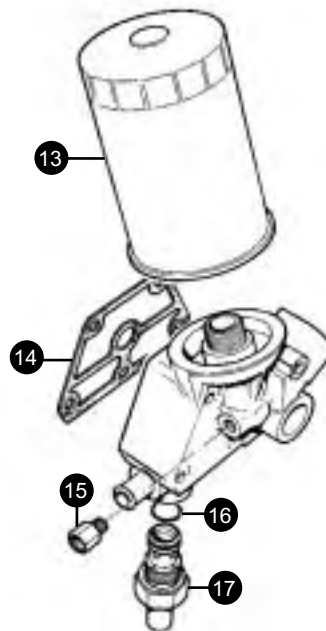


# 2.8, 3.4 & 4.2 Oil Filter

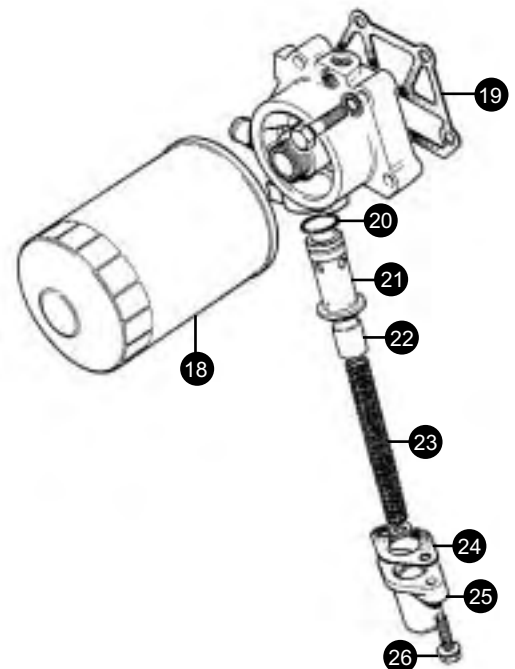
Buy on-line at [www.sngbarratt.com](http://www.sngbarratt.com)



**S1/2 Cannister Oil Filter**



**Early S2 Spin-Off Oil Filter**



**Late S2 & S3 Spin-Off Oil Filter**

**Series 1 & 2 Cannister Oil Filter**

|                                     |         |   |
|-------------------------------------|---------|---|
| <b>1. Paper oil filter element</b>  | JLM9546 | 1 |
| <b>2. Retaining plate</b>           |         |   |
| S1                                  | 6886    | 1 |
| S2 to 8L9780 & 8L10300              | 6886    | 1 |
| 8L9781 & 8L10301                    | AAU1012 | 1 |
| <b>3. Retaining spring</b>          |         |   |
| S1/2 2.8 7G1001-7G18942             | 6159    | 1 |
| 4.2 7L1001-7L40865                  |         |   |
| 2.8 7G18943 on                      | 12962   | 1 |
| 4.2 7L 40866                        |         |   |
| <b>4. Cannister bolt</b>            | 11667   | 1 |
| <b>5. Pressure relief valve</b>     |         |   |
| S1                                  | 11672   | 1 |
| S2                                  | JS234   | 1 |
| <b>6. Oil filter housing gasket</b> |         |   |
| S1                                  | EAC1542 | 1 |
| S2                                  | EAC1542 | 1 |
| <b>7. Bolt seal</b>                 | 11668   | 1 |
| <b>8. Washer</b>                    | 12907   | 1 |
| <b>9. Seal</b>                      | 11665   | 1 |
| <b>10. Clip</b>                     | 6033    | 1 |
| <b>11. Outlet adaptor</b>           | 12965   | 1 |
| <b>12. Sealing washer</b>           | JS233   | 1 |

**Early S2 Spin-Off Oil Filter**

|                                |         |   |
|--------------------------------|---------|---|
| 13. Oil filter                 | EBC9658 | 1 |
| 14. Gasket 3.4 8A4596-8A9040   | EAC6336 | 1 |
| 4.2 8L28179-8L55926            |         |   |
| 15. Adaptor                    | C37218  | 1 |
| 16. Sealing ring               | JS233   | 1 |
| 17. Oil pressure release valve | JS234   | 1 |

**Late S2 & S3 Spin-Off Oil Filter**

|  |          |   |
|--|----------|---|
| 18. Oil filter                               | EBC9658  | 1 |
| 19. Gasket                                   |          |   |
| S2 3.4 8A9041 on                             | EAC1670  | 1 |
| 4.2 8L55927 on                               |          |   |
| S3 3.4 to 8A11903                            | EAC1670  | 1 |
| 4.2 to 8L102220                              |          |   |
| 3.4 8A11904-8A15011                          | EAC7377  | 1 |
| 4.2 8L102221-8L157224                        |          |   |
| 3.4 8A15012 on                               | EAC7377  | 1 |
| 4.2 8L157225 on                              |          |   |
| <b>20. Seal</b>                              | EAC2087  | 1 |
| <b>21. Oil pressure relief valve body</b>    | EAC2086  | 1 |
| <b>22. Oil pressure relief valve</b>         | EAC1532  | 1 |
| <b>23. Oil pressure relief valve spring</b>  | EAC1534  | 1 |
| <b>24. Oil pressure relief valve gasket</b>  |          |   |
| early  | EAC1537  | 1 |
| late   | EAC4178  | 1 |
| <b>25. Oil pressure relief valve housing</b> | EAC4177  | 1 |
| <b>26. Bolt</b>                              | C35093/6 | 2 |



+44 (0) 1746 765432  
sales.uk@sngbarratt.com



+1 603 622 1050  
sales.usa@sngbarratt.com



+33 3 85 201 420  
sngbarratt.france@wanadoo.fr

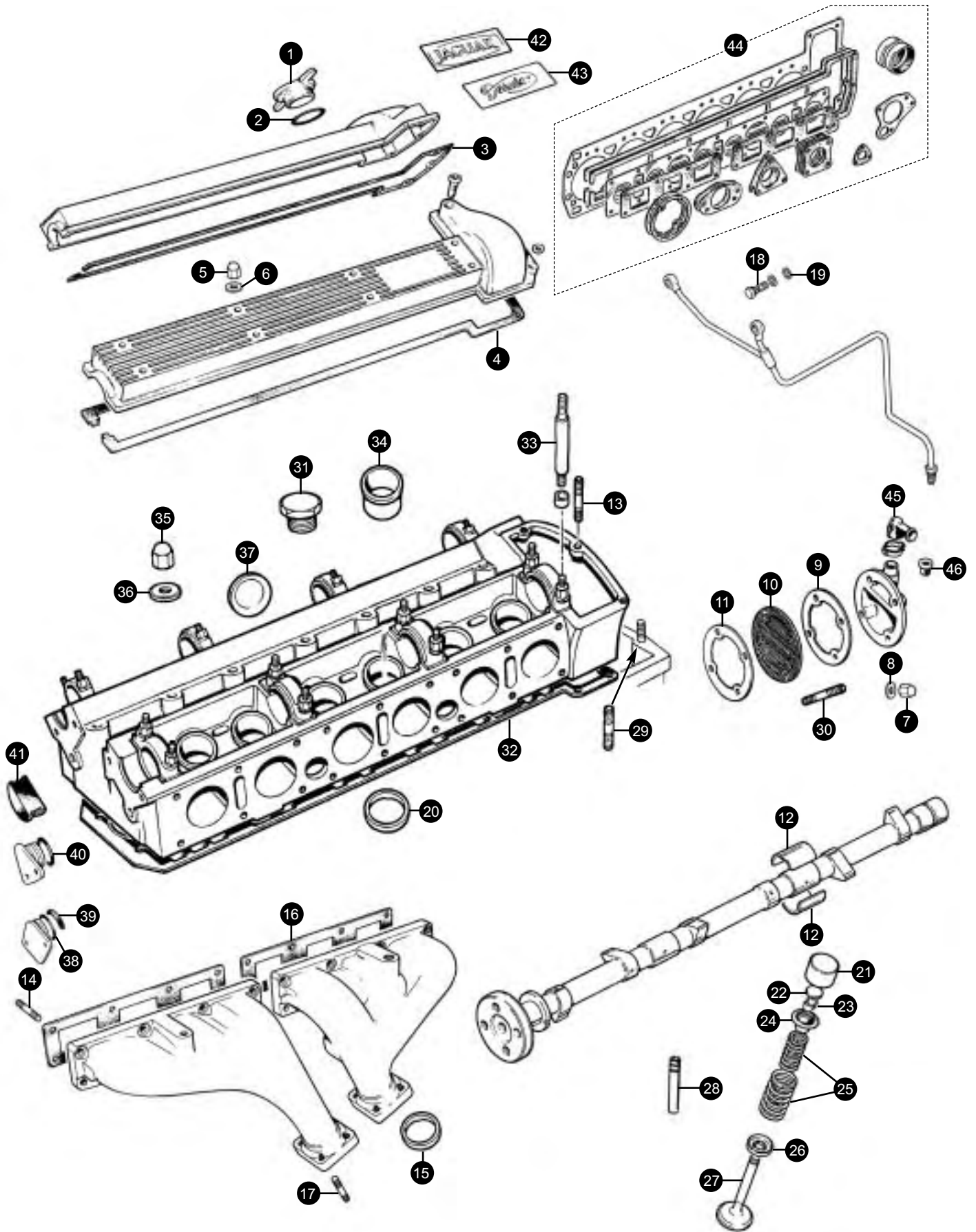


+31 13 52 11 552  
verkoop@sngbarratt.com



# 2.8, 3.4 & 4.2 Cylinder Head

Buy on-line at [www.sngbarratt.com](http://www.sngbarratt.com)



# 2.8, 3.4 & 4.2 Cylinder Head

Buy on-line at [www.sngbarratt.com](http://www.sngbarratt.com)

|   |              |               |
|---|--------------|---------------|
| <b>1. Oil filler cap</b>                    | EAC6523      | 1             |
| <b>2. Sealing ring</b>                      | C25480       | 1             |
| <b>3. Cam cover gasket LH</b>               |              |               |
| Split type to 1975                          | C67351       | 1             |
| Solid type 1975 on                          | EAC5039      | 1             |
| <b>4. Cam cover gasket RH</b>               |              |               |
| Split type to 1975                          | C149881      | 1             |
| Solid type 1975 on                          | EAC5039      | 1             |
| <b>5. Chrome cam cover nut</b>              | C2327        | 22            |
| <b>6. Cam cover washer</b>                  | FW104E       | 22            |
| <b>7. Chrome breather cover nut</b>         | C2327        | 4             |
| <b>8. Chrome breather cover</b>             | FW104E       | 4             |
| <b>9. Breather cover gasket</b>             | C2227        | 1             |
| <b>10. Breather gauze</b>                   | C37282       | 1             |
| <b>11. Breather cover gasket</b>            | C2227        | 1             |
| <b>12. Camshaft bearing set</b>             | RTC2347      | 1             |
| <b>13. Camshaft cover stud</b>              | C67272       | 4             |
| <b>14. Exhaust manifold attachment stud</b> | C11761       | 16            |
| <b>15. Exhaust seal</b>                     | EBC9388      | 2             |
| <b>16. Exhaust manifold gasket</b>          | C2318AF      | 2             |
| <b>17. Exhaust downpipe stud</b>            | C2369        | 8             |
| <b>18. Camshaft feed pipe banjo bolt</b>    | C5846        | 3             |
| <b>19. Sealing washer</b>                   | C4146        | 6             |
| <b>20. Valve insert</b>                     |              |               |
| Inlet (most models) carburettor             | C29122       | 6             |
| injection                                   | EAC1953      | 6             |
| Exhaust all models                          | C291241      | 6             |
| <b>21. Tappet</b>                           | C44010       | 12            |
| <b>22. Tappet gap shim</b>                  |              |               |
| 0.001 increments                            | C2243A to Z  | A/R           |
| (Add P i.e. C2243AP for 0.0005 increments)  |              |               |
| <b>23. Valve cotter</b>                     | EBC2997      | 12prs         |
| <b>24. Valve collar</b>                     | C27480       | 12            |
| <b>25. Valve spring set</b>                 | VSP480P      | 1             |
| <b>26. Valve spring seat</b>                | C27481       | 12            |
| <b>27. Engine Valves</b>                    |              |               |
| Inlet carburettor                           | EAC1547      | 6             |
| injection                                   | EAC1395      | 6             |
| Exhaust all models                          | EAC1548      | 6             |
| <b>28. Valve guides</b>                     |              |               |
|   | <u>Steel</u> | <u>Bronze</u> |
| Inlet VAG92198 1st o/s                      | ENG102       | 6             |
| VAG50914 2nd o/s                            | ENG102/1     | 6             |
| Exhaust VAG92199 1st o/s                    | ENG103       | 6             |
| VAG50913 2nd o/s                            | ENG103/1     | 6             |
| <b>29. Stud</b>                             | C2189        | 4             |
| <b>30. Stud</b>                             | C6727        | 4             |
| <b>31. Threaded plug</b>                    | C2157        |               |

|                                       |             |        |
|---------------------------------------|-------------|--------|
| <b>32. Head gasket</b>                |             |        |
| 2.8                                   | C35597      | 1      |
| 3.4                                   | EAC8349     | 1      |
| 4.2                                   | NXD2520AA   | 1      |
| <b>33. Cam cover stud</b>             | C2326       | 16     |
| <b>34. Tappet guide</b>               | C7262       | 12     |
| <b>35. Chrome head nut</b>            | C2328       | 14     |
| <b>36. Head nut washers</b>           | C10301      | 9      |
|                                       | WA600071J   | 5      |
| <b>37. Core plug</b>                  | C317        | 2      |
| <b>38. Sealing ring</b>               | S1/S2 early | C14990 |
| <b>39. Seal</b>                       | S1/S2 early | C14991 |
| <b>40. Sealing ring</b>               | S1/S2 early | C19044 |
| <b>41. Rubber bung</b>                | S2 late/S3  | C39195 |
| <b>42. Jaguar rocker cover decal</b>  |             | C35732 |
| <b>43. Daimler rocker cover decal</b> |             | C35733 |
| <b>44. Cylinder head gasket set</b>   |             |        |
| XJ6 S1 2.8                            | RTC381      | 1      |
| XJ6 S1 4.2                            | DJ020       | 1      |
| XJ6 S2/3 3.4                          | DC250*      | 1      |
| XJ6 S2 4.2 7L74000 to 8L9080          | DJ022       | 1      |
| 8L9081 on                             | DJ023       | 1      |
| XJ6 S3 4.2 injection                  | DJ024       | 1      |
| <b>45. Rubber breather elbow</b>      |             |        |
| S1/2 33mm diameter                    | C34965      | 1      |
| S3 45mm diameter                      | C44386      | 1      |
| <b>46. Gauze filter</b>               |             |        |
| S1/2                                  | C34674      | 1      |
| S3                                    | C44410      | 1      |

**Jaguar XJ12.**  
Chairman of the road.



There is your ultimate luxury car and detail of the Jaguar XJ12 sedan, for the car's finest achievement in the British motor industry was its status as one of the world's most reliable cars. Its success has been a result of its design and construction, which is an achievement that is rarely seen in any other car. It is a car that has been built to last, and it is a car that has been built to be a part of your life.

The XJ12 is designed for your high performance needs. Its 4.2 litre V12 engine produces 240 bhp and 24000 revs per minute. It is a car that is built to last, and it is a car that is built to be a part of your life.

Ask an independent Jaguar dealer for more information. The Jaguar XJ12 is a car that is built to last, and it is a car that is built to be a part of your life.

For more information, contact your nearest Jaguar dealer. The Jaguar XJ12 is a car that is built to last, and it is a car that is built to be a part of your life.

**Jaguar**



+44 (0) 1746 765432  
[sales.uk@sngbarratt.com](mailto:sales.uk@sngbarratt.com)



+1 603 622 1050  
[sales.usa@sngbarratt.com](mailto:sales.usa@sngbarratt.com)



+33 3 85 201 420  
[sngbarratt.france@wanadoo.fr](mailto:sngbarratt.france@wanadoo.fr)



+31 13 52 11 552  
[verkoop@sngbarratt.com](mailto:verkoop@sngbarratt.com)

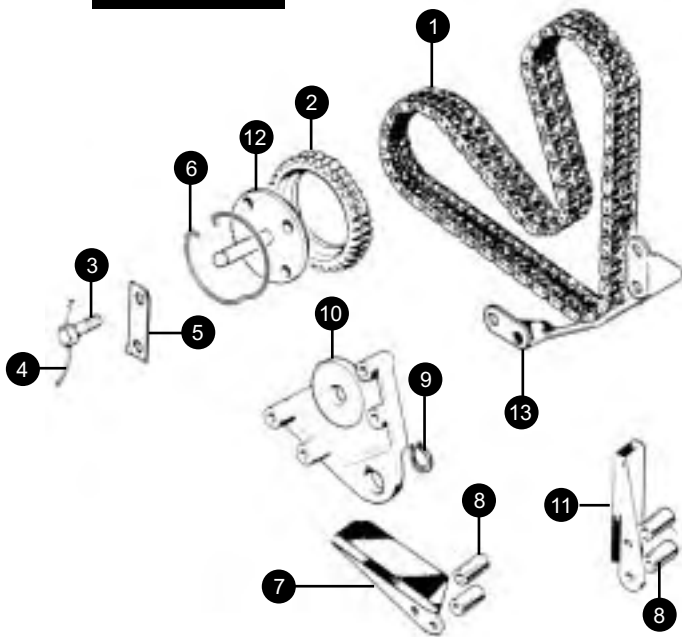


# 2.8, 3.4 & 4.2 Timing Gear

Buy on-line at [www.sngbarratt.com](http://www.sngbarratt.com)



## UPPER

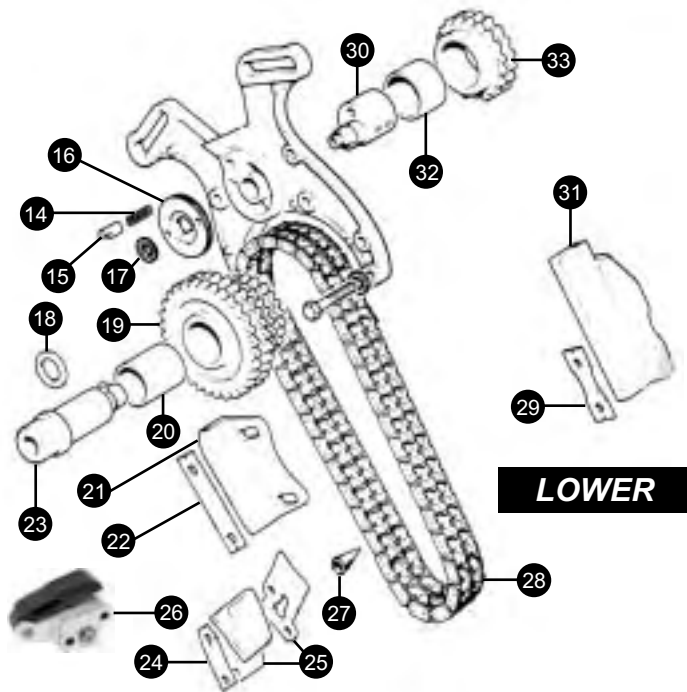


### UPPER TIMING GEAR

|                               |                 |           |     |
|-------------------------------|-----------------|-----------|-----|
| <b>1. Upper timing chain</b>  |                 | C2256     | 1   |
| <b>2. Camshaft gear</b>       |                 | C24686    | 2   |
| <b>3. Bolt</b>                |                 | JZB100042 | 4   |
| <b>4. Locking wire</b>        |                 | C21126    | A/R |
| <b>5. Locktab</b>             |                 | C33917    | 2   |
| <b>6. Circlip</b>             |                 | C30767    | 2   |
| <b>7. Chain guide</b>         |                 | C13617    | 1   |
| <b>8. Spacer</b>              | 2.8 engines     | C13660    | 4   |
|                               | 3.4/4.2 engines | C21734    | 4   |
| <b>9. Circlip</b>             |                 | C2335     | 1   |
| <b>10. Bracket</b>            | 2.8 engines     | C4129     | 1   |
|                               | 3.4/4.2 engines | C21703    | 1   |
| <b>11. Chain guide</b>        |                 | C13616    | 1   |
| <b>12. Cam gear coupling</b>  |                 | C34034    | 2   |
| <b>13. Top chain retainer</b> |                 |           |     |
|                               | 2.8 engines     | C25818    | 1   |
|                               | 3.4/4.2 engines | C25819    | 1   |

### LOWER TIMING GEAR

|                                  |                 |          |     |
|----------------------------------|-----------------|----------|-----|
| <b>14. Spring</b>                |                 | C2297    | 1   |
| <b>15. Plunger</b>               |                 | C4405    | 1   |
| <b>16. Micro adjuster plate</b>  |                 | C4404    | 1   |
| <b>17. Washer</b>                |                 | C30075/1 | 1   |
| <b>18. Shim</b>                  |                 | C16626   | A/R |
| <b>19. Intermediate sprocket</b> |                 | C25275   | 1   |
| <b>20. Bush</b>                  |                 | C2320    | 1   |
| <b>21. Chain guide</b>           |                 |          |     |
|                                  | 2.8 engines     | C29125   | 1   |
|                                  | 3.4/4.2 engines | C21815   | 1   |
| <b>22. Lock tab</b>              | 2.8 engines     | C28285   | 1   |
|                                  | 3.4/4.2 engines | C21831   | 1   |



## LOWER

|   |  |          |   |
|---|--|----------|---|
| <b>23. Idler sprocket shaft</b>               |  | C26608   | 1 |
| <b>24. Timing chain tensioner lock tab</b>    |  | C10333   | 1 |
| <b>25. Timing chain tensioner</b>             |  |          |   |
|   | All 6 cylinder models  | EAC3629  | 1 |
| <b>26. Competition timing chain tensioner</b> |  |          |   |
|   | Suitable for most 6 cyl XK engines with improved durability and increased chain life for demanding conditions. |          |   |
|   |  | EAC3629U | 1 |
| <b>27. Filter</b>                             |  | C13457   | 1 |
| <b>28. Lower timing chain</b>                 |  |          |   |
|   | 2.8 engines  | C8654    | 1 |
|   | 3.4/4.2 engines  | C2255    | 1 |
| <b>29. Locktab</b>                            |  | C20397   | 1 |
| <b>30. Eccentric shaft</b>                    |  | C27189   | 1 |
| <b>31. Chain guide</b>                        |  |          |   |
|   | 2.8 engines  | C136131  | 1 |
|   | 3.4/4.2 engines  | C136141  | 1 |
| <b>32. Bush</b>                               |  | C23191   | 1 |
| <b>33. Idler sprocket</b>                     |  | C26740   | 1 |

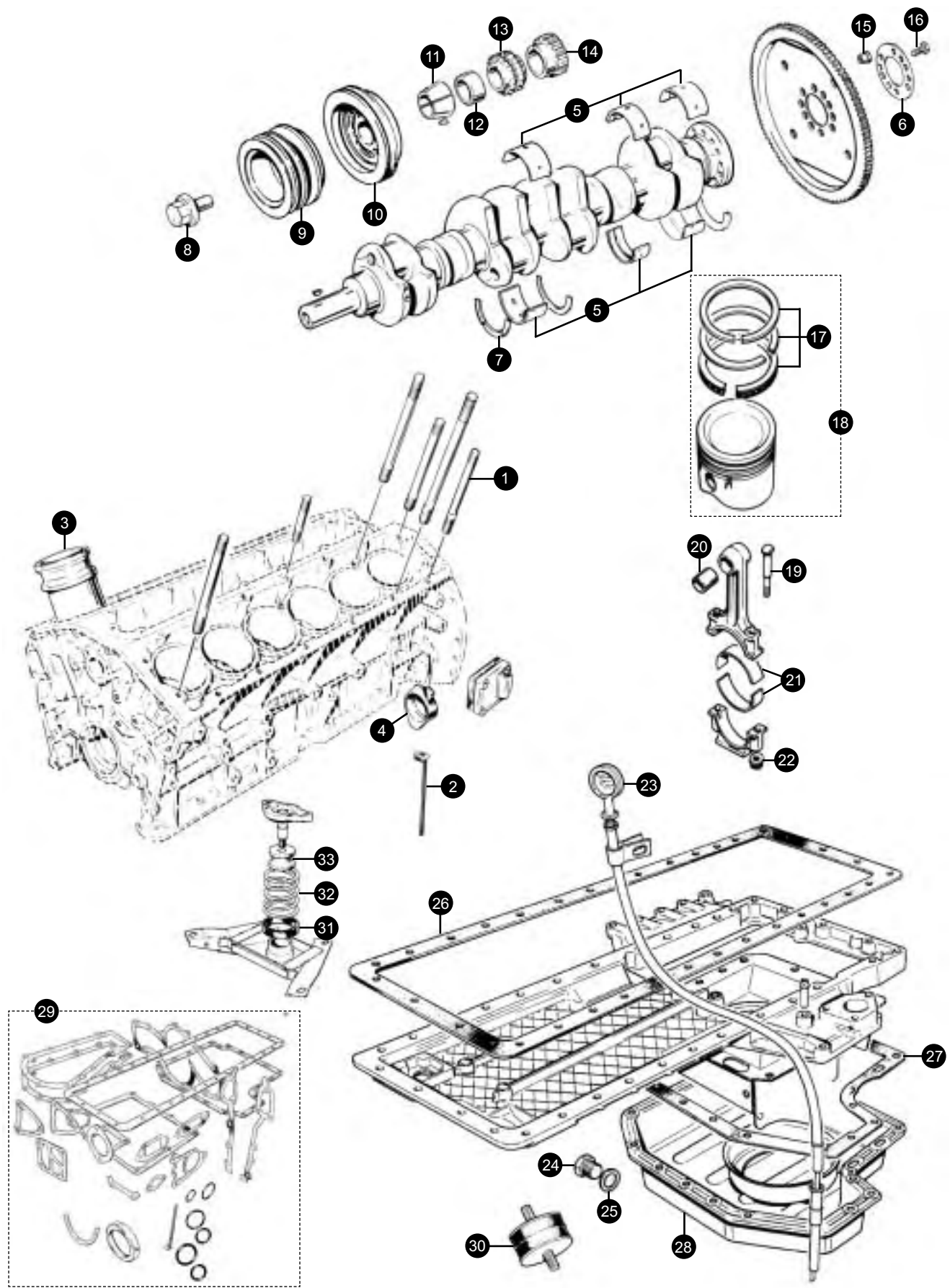
### 3.4 & 4.2 ENGINE TIMING GEAR SETS

|                     |  |         |   |
|---------------------|--|---------|---|
| <b>Minimum Kit</b>  |  | TCK6MIN | 1 |
|                     | Upper and lower timing chains, all guides, tensioner, lock washers and gauze filter.   |         |   |
| <b>Standard Kit</b> |  | TCK6    | 1 |
|                     | As TCK6MIN but with the addition of the camshaft gears and circlips, crankshaft gear and idler sprocket.   |         |   |
| <b>Major Kit</b>    |  | TCK6MAJ | 1 |
|                     | As TCK6 but with the further addition of the intermediate sprocket, idler shaft, micro adjuster plate etc. to provide a full kit of spares to entirely overhaul the timing gear. |         |   |



# 5.3 Engine Block

Buy on-line at [www.sngbarratt.com](http://www.sngbarratt.com)



+44 (0) 1746 765432  
[sales.uk@sngbarratt.com](mailto:sales.uk@sngbarratt.com)



+1 603 622 1050  
[sales.usa@sngbarratt.com](mailto:sales.usa@sngbarratt.com)



+33 3 85 201 420  
[sngbarratt.france@wanadoo.fr](mailto:sngbarratt.france@wanadoo.fr)



+31 13 52 11 552  
[verkoop@sngbarratt.com](mailto:verkoop@sngbarratt.com)



## 5.3 Engine Block

Buy on-line at [www.sngbarratt.com](http://www.sngbarratt.com)



|                                    |            |          |           |       |
|------------------------------------|------------|----------|-----------|-------|
| <b>1. Cylinder head studs</b>      |            |          |           |       |
|                                    | All models | 136mm    | NAB2646BA | 4     |
|                                    |            | 70mm     | C32680    | 12    |
|                                    |            | 215mm    | NAB2646AA | 10    |
|                                    |            | 120mm    | NAB2646CA | 4     |
|                                    |            | 200mm    | NAB2646DA | 10    |
|                                    |            | 131mm    | C32679    | 12    |
| <b>2. Bearing cap seal</b>         |            |          | C45154    | 2     |
| <b>3. Cylinder liner</b>           |            |          | BDS3      | 12    |
| <b>4. Flywheel inspection bung</b> |            |          | C34016    | 1     |
| <b>5. Crankshaft main bearings</b> |            |          | M7325SB   | 1 set |
| <b>6. Flywheel lock tab</b>        |            |          | C4810     | 1     |
| <b>7. Crankshaft thrust washer</b> |            |          | C34697    | 2     |
| <b>8. Crankshaft pulley bolt</b>   |            |          | C323671   | 1     |
| <b>9. Crankshaft pulley</b>        |            |          | C37892    | 1     |
| <b>10. Crankshaft damper</b>       |            |          | C36013    | 1     |
| <b>11. Crankshaft cone</b>         |            |          | C13892    | 1     |
| <b>12. Distance piece</b>          |            |          | C32197    | 1     |
| <b>13. Timing chain gear</b>       |            |          | C29330    | 1     |
| <b>14. Oil pump drive gear</b>     |            |          | C32185    | 1     |
| <b>15. Flywheel dowel</b>          |            |          | C6862     | 2     |
| <b>16. Flywheel bolt</b>           |            |          | C6839     | 10    |
| <b>17. Piston ring set</b>         |            | pre H.E. | R26136    | 1     |
|                                    |            | H.E.     | R40300    | 1     |

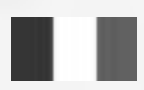
|  |                               |  |           |    |
|--|-------------------------------|--|-----------|----|
| <b>18. Engine piston</b>                       |                               |  |           |    |
|  | Pre H.E. models               |  | 18206     | 12 |
|  | H.E. Compression ratio 12:5:1 |  | 21433     | 12 |
|  | H.E. Compression ratio 11:5:1 |  | 21434     | 12 |
| <b>19. Connecting rod bolt</b>                 |                               |  | C33271    | 24 |
| <b>20. Small end bush</b>                      |                               |  | C29308    | 12 |
| <b>21. Connecting rod bearings</b>             |                               |  | B12006SB  | 1  |
| <b>22. Connecting rod nut</b>                  |                               |  | EAC5541   | 24 |
| <b>23. Oil level dipstick</b>                  | Series 1                      |  | C37004    | 1  |
|  | Series 2 carb                 |  | C39896    | 1  |
|  | Series 2/3 inj                |  | C44151    | 1  |
| <b>24. Sump drain plug</b>                     |                               |  | C23435    | 1  |
| <b>25. Washer</b>                              |                               |  | C2296/1   | 1  |
| <b>26. Sump gasket</b>                         |                               |  | C29425    |    |
| <b>27. Bottom pan gasket</b>                   | pre H.E.                      |  | C29362    | 1  |
|  | H.E.                          |  | EBC9623   | 1  |
| <b>28. Oil sump</b>                            |                               |  | EBC10651  | 1  |
| <b>29. Lower engine gasket set</b>             |                               |  | EH831     | 1  |
| <b>30. Front engine mounting</b>               |                               |  | MHC7522AA | 2  |
| <b>31. Spring seat rubber</b>                  |                               |  | CBC2517   | 1  |
| <b>32. Rear engine/gearbox mounting spring</b> |                               |  | C459021   | 1  |
| <b>33. Spring centre bush</b>                  |                               |  | CAC3227   | 1  |

## 5.3 Oil Pump

Buy on-line at [www.sngbarratt.com](http://www.sngbarratt.com)



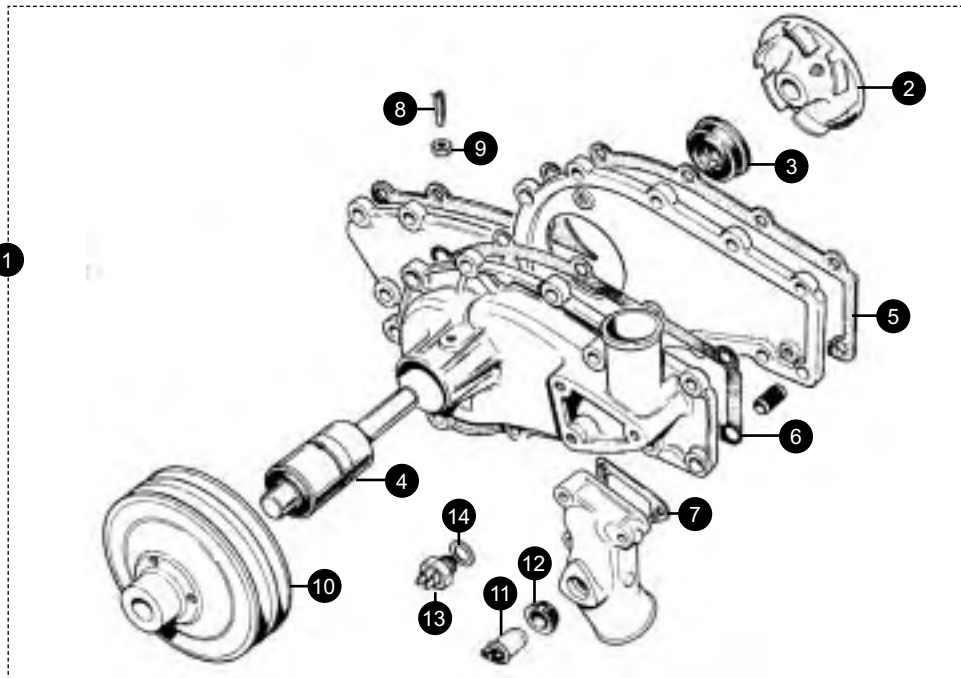
|  |         |   |
|--|---------|---|
| <b>1. Oil pump*</b>  | EBC3163 | 1 |
| <b>Adaptor*</b>  | EBC4240 | 1 |
| * Earlier pre H.E. engines will require EBC4240 adaptor to allow the fitment of the later style H.E. oil pump. |         |   |
| <b>2. Oil pump gear (pre H.E. only)</b>  | C32184  | 1 |
| <b>3. Oil pump gear (pre H.E. only)</b>  | C31878  | 1 |
| <b>4. Oil pump drive gear on crank</b>   | C32185  | 1 |





# 5.3 Water Pump

Buy on-line at [www.sngbarratt.com](http://www.sngbarratt.com)



**1. Water pump assembly**

|            |           |   |
|------------|-----------|---|
| Pre H.E.   | C34549    | 1 |
| H.E. recon | JLM10819R | 1 |
| H.E. new   | JLM10819* | 1 |

**2. Impellor**

|      |         |   |
|------|---------|---|
| XJ12 | EAC3212 | 1 |
|------|---------|---|

**3. Seal**

|       |         |   |
|-------|---------|---|
| early | ADU6170 | 1 |
| late  | EBC3131 | 1 |

**4. Bearing**

|      |         |   |
|------|---------|---|
| XJ12 | EAC3036 | 1 |
|------|---------|---|

**5. Waterpump gasket**

|         |   |
|---------|---|
| EBC9629 | 1 |
|---------|---|

**6. Sandwich plate gasket**

|        |   |
|--------|---|
| C36542 | 1 |
|--------|---|

**7. Joint housing gasket**

|         |   |
|---------|---|
| EBC9636 | 1 |
|---------|---|

**8. Locating grub screw**

|        |   |
|--------|---|
| C23128 | 1 |
|--------|---|

**9. Locknut**

|          |   |
|----------|---|
| NT609041 | 1 |
|----------|---|

**10. Pulley**

|                        |        |   |
|------------------------|--------|---|
| Pre H.E. double pulley | C38325 | 1 |
|------------------------|--------|---|

|                    |        |   |
|--------------------|--------|---|
| H.E. single pulley | C37817 | 1 |
|--------------------|--------|---|

|                              |              |         |   |
|------------------------------|--------------|---------|---|
| <b>11. Fan thermo switch</b> | S1/2 push in | EAC1322 | 1 |
|------------------------------|--------------|---------|---|

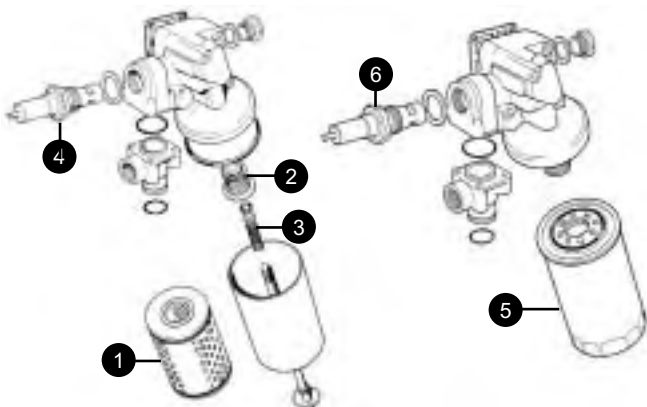
|                        |              |        |   |
|------------------------|--------------|--------|---|
| <b>12. Switch seal</b> | S1/2 push in | C37990 | 1 |
|------------------------|--------------|--------|---|

|                              |             |         |   |
|------------------------------|-------------|---------|---|
| <b>11. Fan thermo switch</b> | S3 screw in | EAC2510 | 1 |
|------------------------------|-------------|---------|---|

|                          |             |         |   |
|--------------------------|-------------|---------|---|
| <b>12. Switch washer</b> | S3 screw in | C457593 | 1 |
|--------------------------|-------------|---------|---|

# 5.3 Oil Filter

Buy on-line at [www.sngbarratt.com](http://www.sngbarratt.com)



**S1/ S2 early cannister type oil filter**

|                              |         |   |
|------------------------------|---------|---|
| <b>1. Oil filter element</b> | JLM9547 | 1 |
|------------------------------|---------|---|

|                         |       |   |
|-------------------------|-------|---|
| <b>2. Balance valve</b> | JS221 | 1 |
|-------------------------|-------|---|

|                            |       |   |
|----------------------------|-------|---|
| <b>3. Retaining spring</b> | JS203 | 1 |
|----------------------------|-------|---|

|                                     |        |   |
|-------------------------------------|--------|---|
| <b>4. Oil pressure relief valve</b> | C39201 | 1 |
|-------------------------------------|--------|---|

**S2 Late/S3 spin off oil filter**

|                      |         |   |
|----------------------|---------|---|
| <b>5. Oil filter</b> | EBC9658 | 1 |
|----------------------|---------|---|

|                                     |         |   |
|-------------------------------------|---------|---|
| <b>6. Oil pressure relief valve</b> | RTC1143 | 1 |
|-------------------------------------|---------|---|



+44 (0) 1746 765432  
sales.uk@sngbarratt.com



+1 603 622 1050  
sales.usa@sngbarratt.com



+33 3 85 201 420  
sngbarratt.france@wanadoo.fr

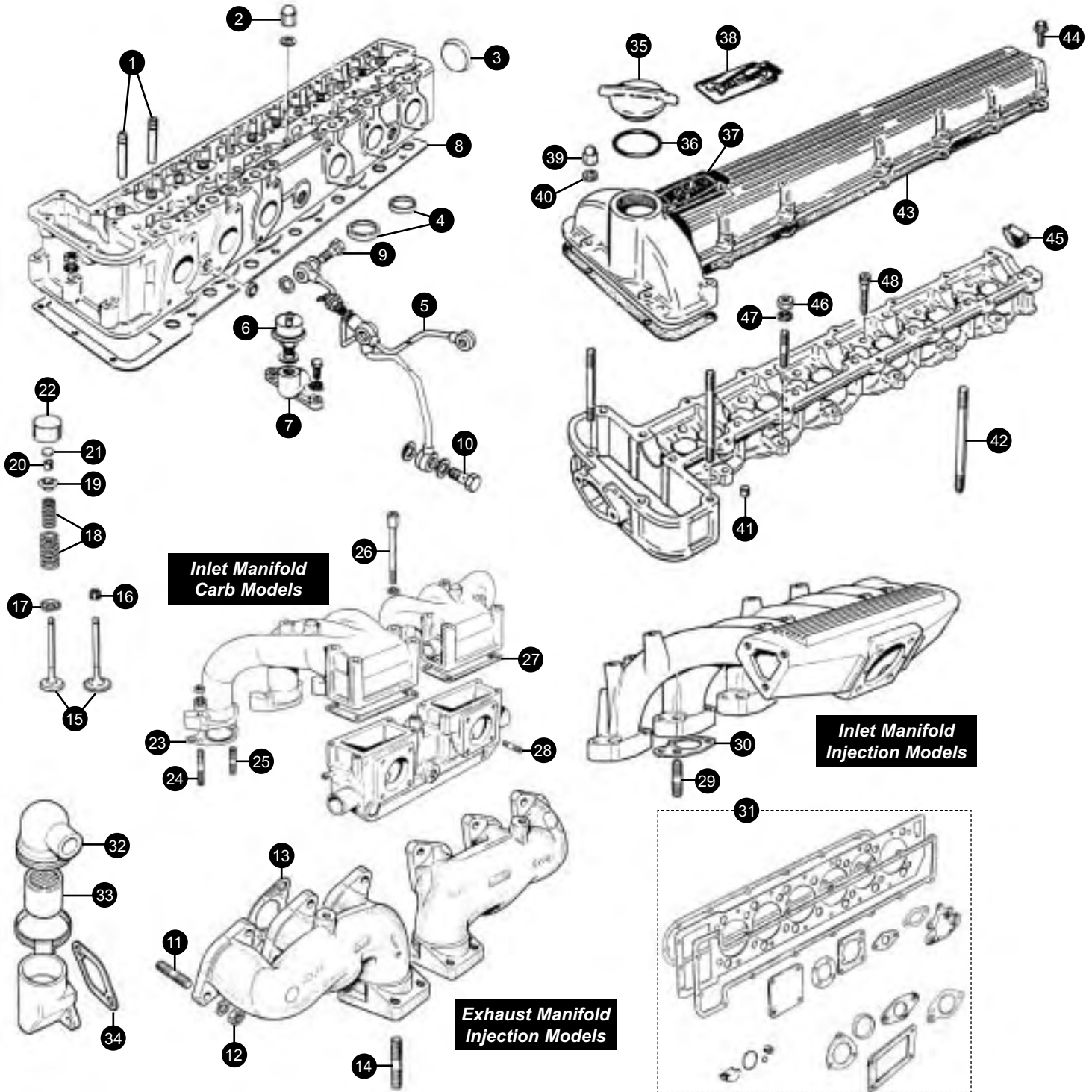


+31 13 52 11 552  
verkoop@sngbarratt.com



# 5.3 Cylinder Head

Buy on-line at [www.sngbarratt.com](http://www.sngbarratt.com)





# 5.3 Cylinder Head

Buy on-line at [www.sngbarratt.com](http://www.sngbarratt.com)

## 1. Valve guide

|          |         |         |          |    |
|----------|---------|---------|----------|----|
|          | Inlet   | 1st O/S | VAG50923 | 12 |
|          |         | 2nd O/S | C29391   | 12 |
| Pre H.E. | Exhaust | 1st O/S | VAG50923 | 12 |
|          |         | 2nd O/S | C29387   | 12 |
| H.E.     | Exhaust | 1st O/S | EAC3636  | 12 |
|          |         | 2nd O/S | EAC3637  | 12 |

## 2. Chrome cylinder head nut

C37523\* 28

## 3. Core plug

C168626 2

## 4. Valve seat insert

|          |         |        |    |
|----------|---------|--------|----|
| Pre H.E. | Inlet   | C29383 | 12 |
| Pre H.E. | Exhaust | C29380 | 12 |

|      |         |         |    |
|------|---------|---------|----|
| H.E. | Inlet   | EAC3639 | 12 |
| H.E. | Exhaust | EAC3641 | 12 |

## 5. Oil feed pipe

EBC3513 1

## 6. Oil pressure transmitter

|                                   |        |   |
|-----------------------------------|--------|---|
| Early double spade connector type | C31177 | 1 |
| Late single spade connector type  | C46272 | 1 |

## 7. Transmitter adaptor

C42072 1

## 8. Head gasket

|          |    |         |   |
|----------|----|---------|---|
| Pre H.E. | RH | C33135  | 1 |
|          | LH | C33136* | 1 |

|      |    |           |   |
|------|----|-----------|---|
| H.E. | RH | NAB2540AA | 1 |
|      | LH | NAB2541AA | 1 |

## 9. Banjo bolt

C5846 2

## Washer

C4146 4

## 10. Banjo bolt

C29652 2

## Washer

C2296/3 4

## 11. Stud

C25321 22

C20345 2

## 12. Nut

C30787 24

## 13. Gasket

C33921 12

## 14. Downpipe stud

S1/2 C2369 16

S3 EAC3823 16

Brass nut C17916 16

Downpipe seal EBC9388 4

## 15. Valve

Pre H.E. Inlet EAC1549 12

Pre H.E. Exhaust EAC1550 12

H.E. Inlet EAC3191 12

H.E. Exhaust EAC3192 12

## 16. Stem seal (set of 6)

HR299 4

17. Valve spring seat C27481 24

18. Valve spring set VSP94566P 3

## 19. Valve top collar

Pre H.E. C27480 24

|      |         |         |    |
|------|---------|---------|----|
| H.E. | Inlet   | C27480  | 12 |
| H.E. | Exhaust | EAC7309 | 12 |

## 20. Valve cotter

Pre H.E. EBC2997 24prs

H.E. Inlet EBC2997 12prs

H.E. Exhaust EBC2998 12prs

21. Tappet shim 0.085"- 0.116" C2243A to Z A/R

22. Tappet C44010 24

## Inlet manifold (carburettor models)

23. Metal gasket C34063 12

24. Stud C24025 12

25. Stud C6570 12

26. Rainshield bolt C35728 4

27. Gasket C34112 4

28. Stud C18232 16

## Inlet manifold (injection models)

29. Stud TE108091J 24

30. Gasket C43354 12

## 31. Head gasket set

XJ12 S1/2 carb CH831 1

XJ12 S2/3 Pre H.E. inj to 7P45000 CH832 1

XJ12 S3 H.E. H.E. 7P45001 on DE880 1

## 32. Rubber breather elbow

45mm diameter C44386 1

33. Gauze filter C44410 1

34. Gasket C32366 1

35. Oil filler cap EAC6523 1

36. Sealing ring C42511 1

37. Jaguar cam cover decal C35732 1

38. Daimler cam cover decal C35733 1

39. Chrome cam cover nut C32524 8

40. Cam cover washer FW105E 8

41. Dowel EBC9705 4

42. Cylinder head studs NAB2646BA 4

C32680 12

NAB2646AA 10

NAB2646CA 4

NAB2646DA 10

C32679 12

## 43. Cam cover gasket

RH C29428 1

LH C29429 1

44. Bolt SN106251J 24

45. Cam cover bung C30431 2

46. Nut JLM9688 12

47. Washer C300752 12

48. Bolt C29396 12

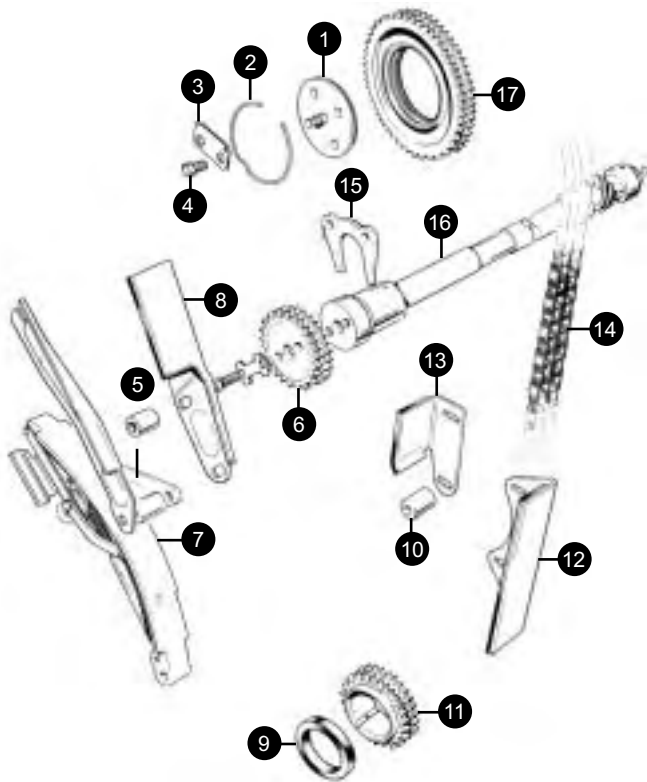
Pre H.E. SS108400J 12

H.E.

+44 (0) 1746 765432  
sales.uk@sngbarratt.com+1 603 622 1050  
sales.usa@sngbarratt.com+33 3 85 201 420  
sngbarratt.france@wanadoo.fr+31 13 52 11 552  
verkoop@sngbarratt.com

# 5.3 Timing Gear

Buy on-line at [www.sngbarratt.com](http://www.sngbarratt.com)

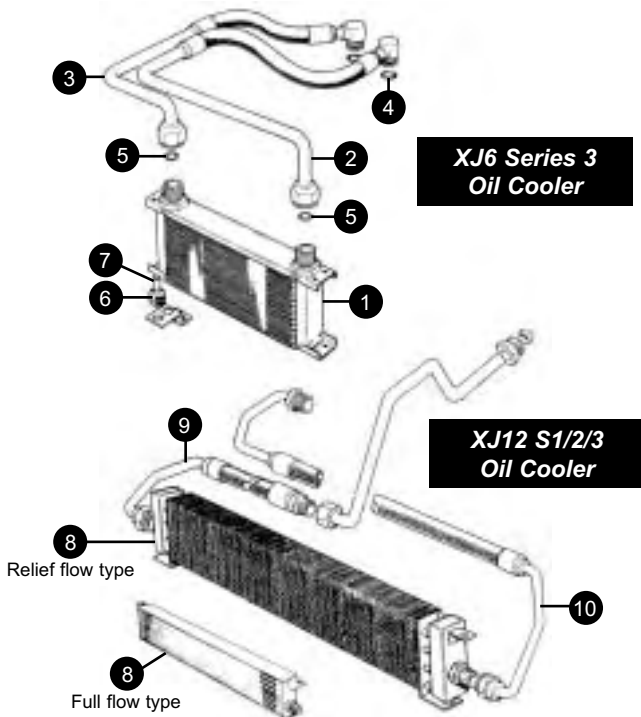


|                       |           |   |
|-----------------------|-----------|---|
| 1. Cam gear coupling  | C33889    | 2 |
| 2. Circlip            | C30767    | 2 |
| 3. Locktab            | C33917    | 4 |
| 4. Bolt               | JZB100042 | 8 |
| 5. Spacer             | C19129    | 1 |
| 6. Gear               | C32227    | 1 |
| 7. Chain tensioner    | C30485    | 1 |
| 8. Chain guide        | C31068    | 1 |
| 9. Seal               | C30002*   | 1 |
| 10. Spacer            | C30493    | 1 |
| 11. Crank gear        | C29330    | 1 |
| 12. Chain guide       | C29635    | 1 |
| 13. Chain guide       | C29636    | 1 |
| 14. Timing chain      | C29590    | 1 |
| 15. Thrust plate      | C29335    | 1 |
| 16. Auxiliary shaft   | C38421    | 1 |
| 17. Camshaft sprocket | C29349    | 2 |



# 6 & 12 Cylinder Oil Coolers

Buy on-line at [www.sngbarratt.com](http://www.sngbarratt.com)



### XJ6 Series 3 Oil Cooler

|                     |         |   |
|---------------------|---------|---|
| 1. Oil cooler       | CAC4540 | 1 |
| 2. Flexible hose    | CBC1437 | 1 |
| 3. Flexible hose    | CBC1438 | 1 |
| 4. O'ring           | CAC5118 | 2 |
| 5. O'ring           | KRC1160 | 2 |
| 6. Mounting grommet | CBC1448 | 2 |
| 7. Spacer tube      | CAC1825 | 2 |

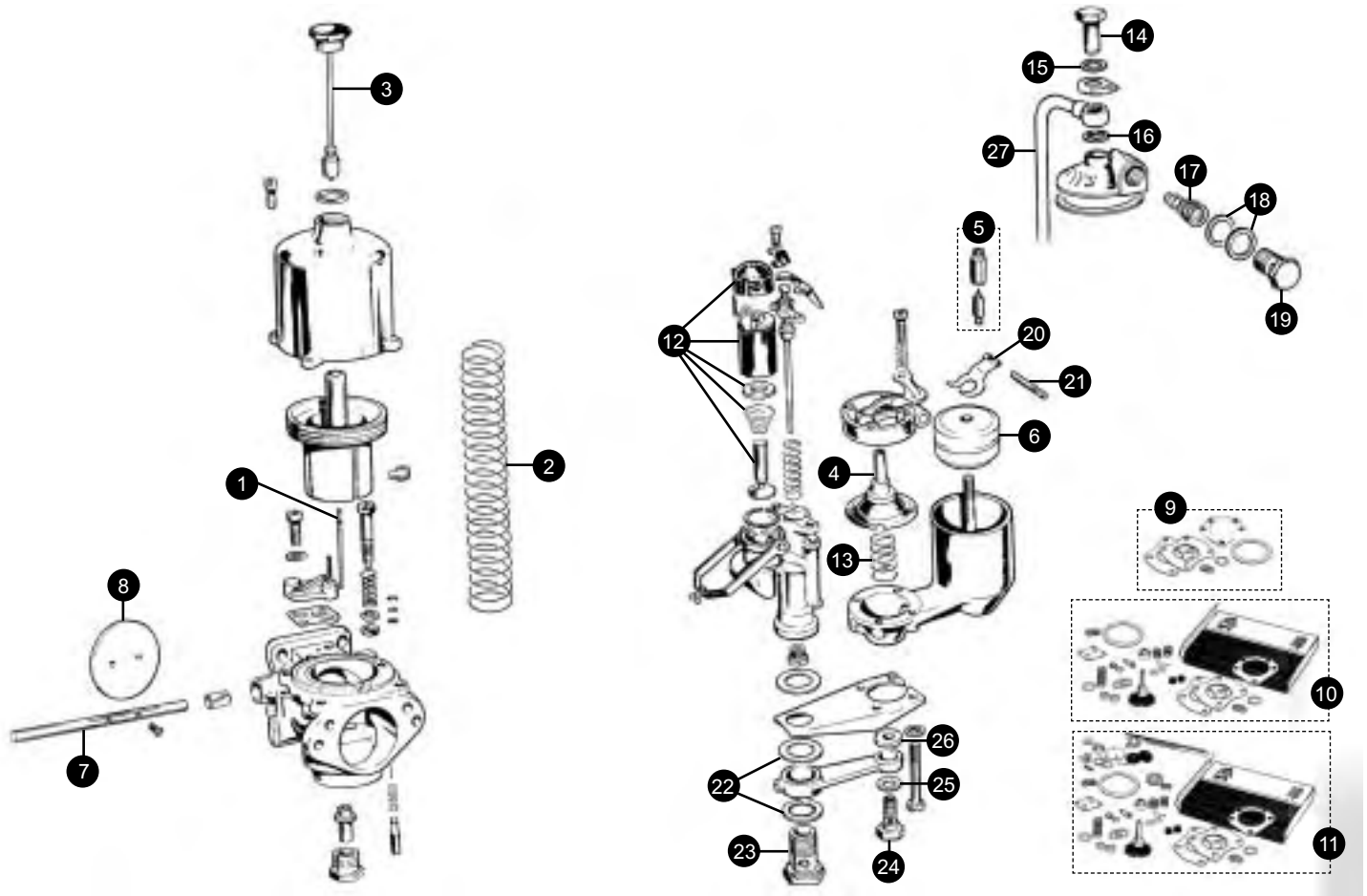
### XJ12 S1/2/3 Oil Cooler

|                                |         |  |
|--------------------------------|---------|--|
| 8. Oil cooler                  | C43923  |  |
| Early relief type S1/2/3 early | CBC2692 |  |
| Late full flow type S3 late    |         |  |
| 9. Flexible hose               |         |  |
| Early relief type S1/2/3 early | C38074  |  |
| Late full flow type S3 late    | CBC2690 |  |
| 10. Flexible hose              |         |  |
| Early relief type S1/2/3 early | C38075  |  |
| Late full flow type S3 late    | CBC2691 |  |



# XJ6 SU HD8 Carburettors

Buy on-line at [www.sngbarratt.com](http://www.sngbarratt.com)



## HD8 Carburettors XJ6 Series 1 1968-71

### 1. Main needle

|     |                   |         |   |
|-----|-------------------|---------|---|
| 2.8 | Needle number UVV | AUD1548 | 2 |
| 4.2 | Needle number UM  | AUD1467 | 2 |

### 2. Piston spring

|     |         |   |
|-----|---------|---|
| 2.8 | AUC2107 | 2 |
| 4.2 | AUC4826 | 2 |

### 3. Damper cap assembly

|  |         |   |
|--|---------|---|
|  | AUC8115 | 2 |
|--|---------|---|

### 4. Jet

|  |         |   |
|--|---------|---|
|  | AUC8156 | 2 |
|--|---------|---|

### 5. Needle & seat kit

|  |         |   |
|--|---------|---|
|  | WZX1102 | 2 |
|--|---------|---|

### 6. Float

|  |         |   |
|--|---------|---|
|  | WZX1303 | 2 |
|--|---------|---|

### 7. Throttle spindle

|            |         |   |
|------------|---------|---|
| Front carb | WZX1209 | 1 |
| Rear carb  | WZX1212 | 1 |

### 8. Throttle disc

|         |   |
|---------|---|
| WZX1373 | 2 |
|---------|---|

### 9. Gasket set

|        |   |
|--------|---|
| AUE806 | 2 |
|--------|---|

### 10. Carburettor service kit

|       |   |
|-------|---|
| CSK38 | 2 |
|-------|---|

Includes full gasket set, needle & seat, main jet & diaphragm and spindle seal set.

### 11. Carburettor repair kit

|        |   |
|--------|---|
| CRK216 | 2 |
|--------|---|

As per service kit with the addition of the throttle spindles and discs.

### 12. Automatic choke solenoid

|         |   |
|---------|---|
| AUD9490 | 1 |
|---------|---|

### 13. Jet diaphragm spring

|         |   |
|---------|---|
| AUC2006 | 2 |
|---------|---|

### 14. Float chamber cap nut

|      |   |
|------|---|
| 5832 | 2 |
|------|---|

### 15. Washer

|         |   |
|---------|---|
| AUC1557 | 2 |
|---------|---|

### 16. Fibre washer

|         |   |
|---------|---|
| AUC2029 | 2 |
|---------|---|

### 17. Filter spring assembly

|         |   |
|---------|---|
| AUC2139 | 2 |
|---------|---|

### 18. Fibre washer

|         |   |
|---------|---|
| AUC2141 | 2 |
|---------|---|

### 19. Banjo bolt

|        |   |
|--------|---|
| C11488 | 2 |
|--------|---|

### 20. Float lever

|         |   |
|---------|---|
| AUD2285 | 2 |
|---------|---|

### 21. Float lever pivot pin

|         |   |
|---------|---|
| AUC1152 | 2 |
|---------|---|

### 22. Fibre washer

|         |   |
|---------|---|
| AUC4753 | 2 |
|---------|---|

### 23. Banjo bolt

|        |   |
|--------|---|
| C11488 | 1 |
|--------|---|

### 24. Banjo bolt

|         |   |
|---------|---|
| AUC2086 | 1 |
|---------|---|

### 25. Alum washer

|         |   |
|---------|---|
| AUC1557 | 1 |
|---------|---|

### 26. Fibre washer

|         |   |
|---------|---|
| AUC2089 | 1 |
|---------|---|

### 27. Overflow pipe

|         |   |
|---------|---|
| AUC3200 | 2 |
|---------|---|



+44 (0) 1746 765432  
sales.uk@sngbarratt.com



+1 603 622 1050  
sales.usa@sngbarratt.com



+33 3 85 201 420  
sngbarratt.france@wanadoo.fr

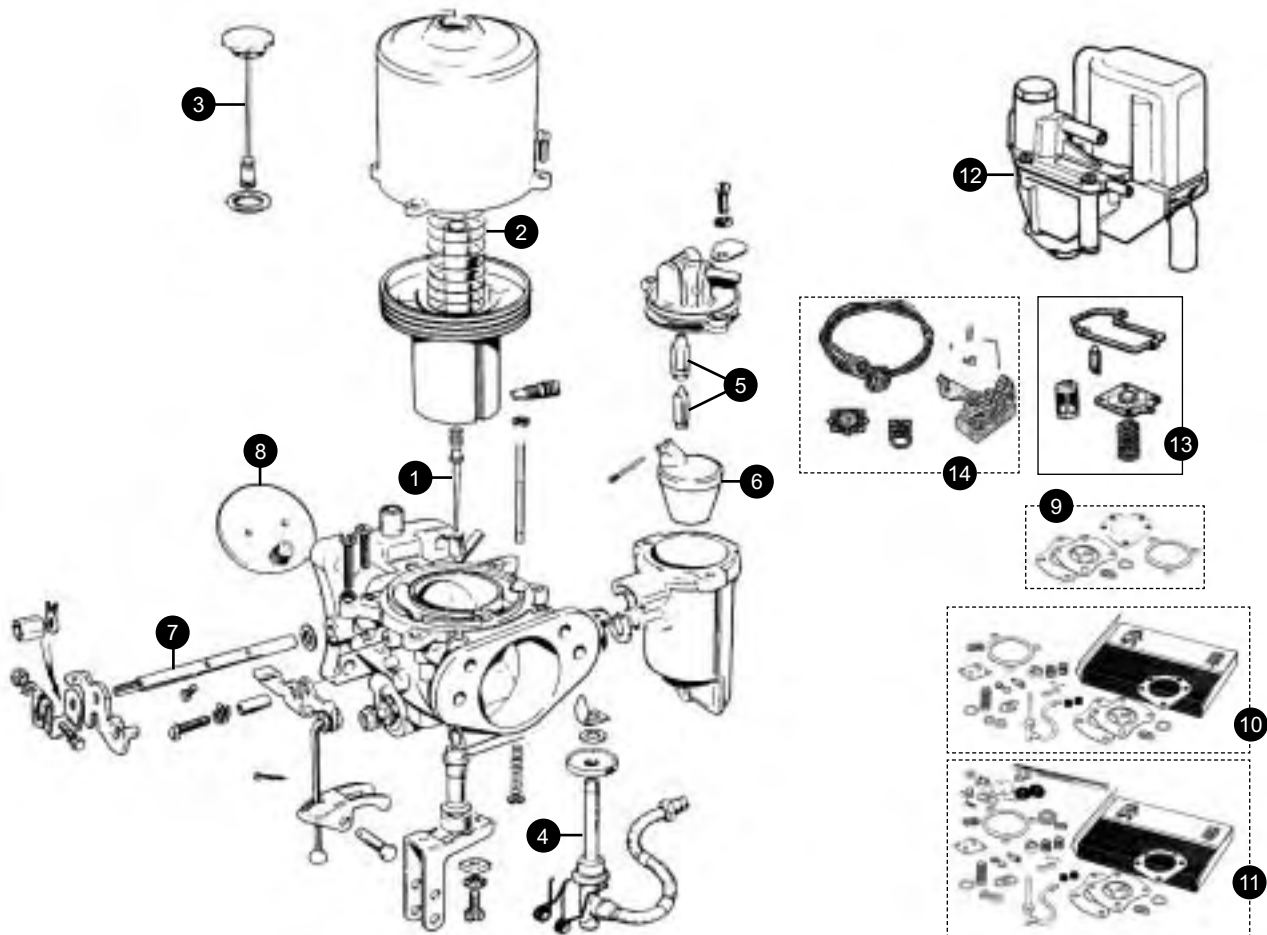


+31 13 52 11 552  
verkoop@sngbarratt.com



# XJ6 SU HS8 Carburettors

Buy on-line at [www.sngbarratt.com](http://www.sngbarratt.com)



## HS8 Carburettors XJ6 Series 1 & 2 1971-75

### 1. Main needle

|     |                   |         |   |
|-----|-------------------|---------|---|
| 2.8 | Needle number BAU | CUD1118 | 2 |
|     | Needle number BBL | C38065  | 2 |
| 3.4 | Needle number BCX | CUD1169 | 2 |
| 4.2 | Needle number BAW | CUD1120 | 2 |
|     | Needle number BCC | CUD1150 | 2 |
|     | Needle number BBK | CUD1133 | 2 |

### 2. Piston spring

|     |         |   |
|-----|---------|---|
| 2.8 | AUC2107 | 2 |
| 4.2 | AUC4826 | 2 |

### 3. Damper cap assembly

|         |   |
|---------|---|
| AUC8102 | 2 |
|---------|---|

### 4. Jet

|            |         |   |
|------------|---------|---|
| Front carb | JLM9673 | 1 |
| Rear carb  | JLM9672 | 1 |

### 5. Needle & seat kit

|         |   |
|---------|---|
| WZX1102 | 2 |
|---------|---|

### 6. Float

|         |   |
|---------|---|
| WZX1300 | 2 |
|---------|---|

### 7. Throttle spindle

|            |         |   |
|------------|---------|---|
| Front carb | WZX1317 | 1 |
| Rear carb  | WZX1313 | 1 |

### 8. Throttle disc

|     |         |   |
|-----|---------|---|
| 2.8 | CUD3089 | 2 |
| 4.2 | CUD4096 | 2 |

### 9. Gasket set

|        |   |
|--------|---|
| AUE813 | 2 |
|--------|---|

### 10. Carburettor service kit

Includes full gasket set, needle & seat, main jet & and spindle seal set.

|            |       |   |
|------------|-------|---|
| Front carb | CSK81 | 1 |
| Rear carb  | CSK81 | 1 |

### 11. Carburettor repair kit

As per service kit with the addition of the throttle spindles and discs.

|            |        |   |
|------------|--------|---|
| Front carb | CRK236 | 1 |
| Rear carb  | CRK237 | 1 |

### 12. Automatic choke unit

|          |   |
|----------|---|
| TZX1002E | 1 |
|----------|---|

### 13. Automatic choke unit repair kit

|        |   |
|--------|---|
| WZX990 | 1 |
|--------|---|

### 14. Manual choke conversion kit

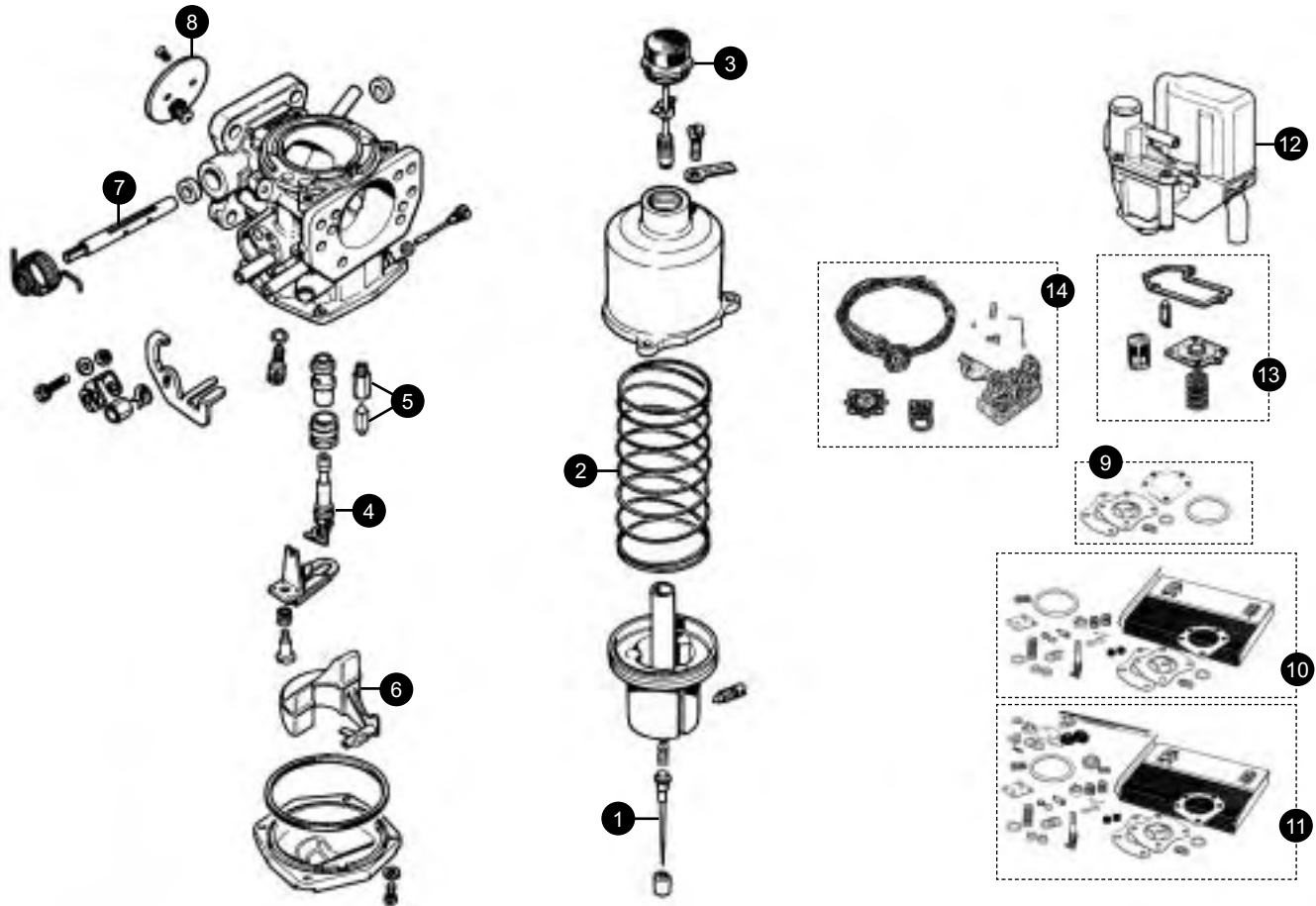
|         |   |
|---------|---|
| SBS9203 | 1 |
|---------|---|

Replaces the original bi-metallic strip in the top of the AED unit with two eccentric cams which then operate the enrichment mechanism manually by use of a cable from inside the car.



# XJ6 SU HIF7 Carburettors

Buy on-line at [www.sngbarratt.com](http://www.sngbarratt.com)



## HIF7 Carburettors XJ6 Series 2 & 3 1976-86

### 1. Main needle

|                   |         |   |
|-------------------|---------|---|
| Needle number BDW | NZX8021 | 2 |
| Needle number BDH | NZX8008 | 2 |

### 2. Piston spring

|         |   |
|---------|---|
| AUD4355 | 2 |
|---------|---|

### 3. Damper cap assembly

|         |   |
|---------|---|
| JLM9670 | 2 |
|---------|---|

### 4. Jet

|          |   |
|----------|---|
| JLM9733* | 2 |
|----------|---|

### 5. Needle & seat kit

|          |   |
|----------|---|
| JLM9666# | 2 |
|----------|---|

### 6. Float

|         |   |
|---------|---|
| JLM9668 | 2 |
|---------|---|

### 7. Throttle spindle

|            |         |   |
|------------|---------|---|
| Front carb | WZX1174 | 1 |
| Rear carb  | WZX1173 | 1 |

### 8. Throttle disc

|         |   |
|---------|---|
| WZX1188 | 2 |
|---------|---|

### 9. Gasket set

|         |   |
|---------|---|
| WZX1505 | 2 |
|---------|---|

### 10. Carburettor service kit

|       |   |
|-------|---|
| CSK82 | 2 |
|-------|---|

Includes full gasket set, needle & seat, main jet and spindle seal set.

### 11. Carburettor repair kit

|        |   |
|--------|---|
| CRK186 | 2 |
|--------|---|

As per service kit with the addition of the throttle spindles and discs.

### 12. Automatic choke unit

|          |   |
|----------|---|
| TZX1002E | 1 |
|----------|---|

### 13. Automatic choke unit repair kit

|        |   |
|--------|---|
| WZX990 | 1 |
|--------|---|

### 14. Manual choke conversion kit

|         |   |
|---------|---|
| SBS9203 | 1 |
|---------|---|

Replaces the original bi-metallic strip in the top of the AED unit with two eccentric cams which then operate the enrichment mechanism manually by use of a cable from inside the car.



+44 (0) 1746 765432  
sales.uk@sngbarratt.com



+1 603 622 1050  
sales.usa@sngbarratt.com



+33 3 85 201 420  
sngbarratt.france@wanadoo.fr

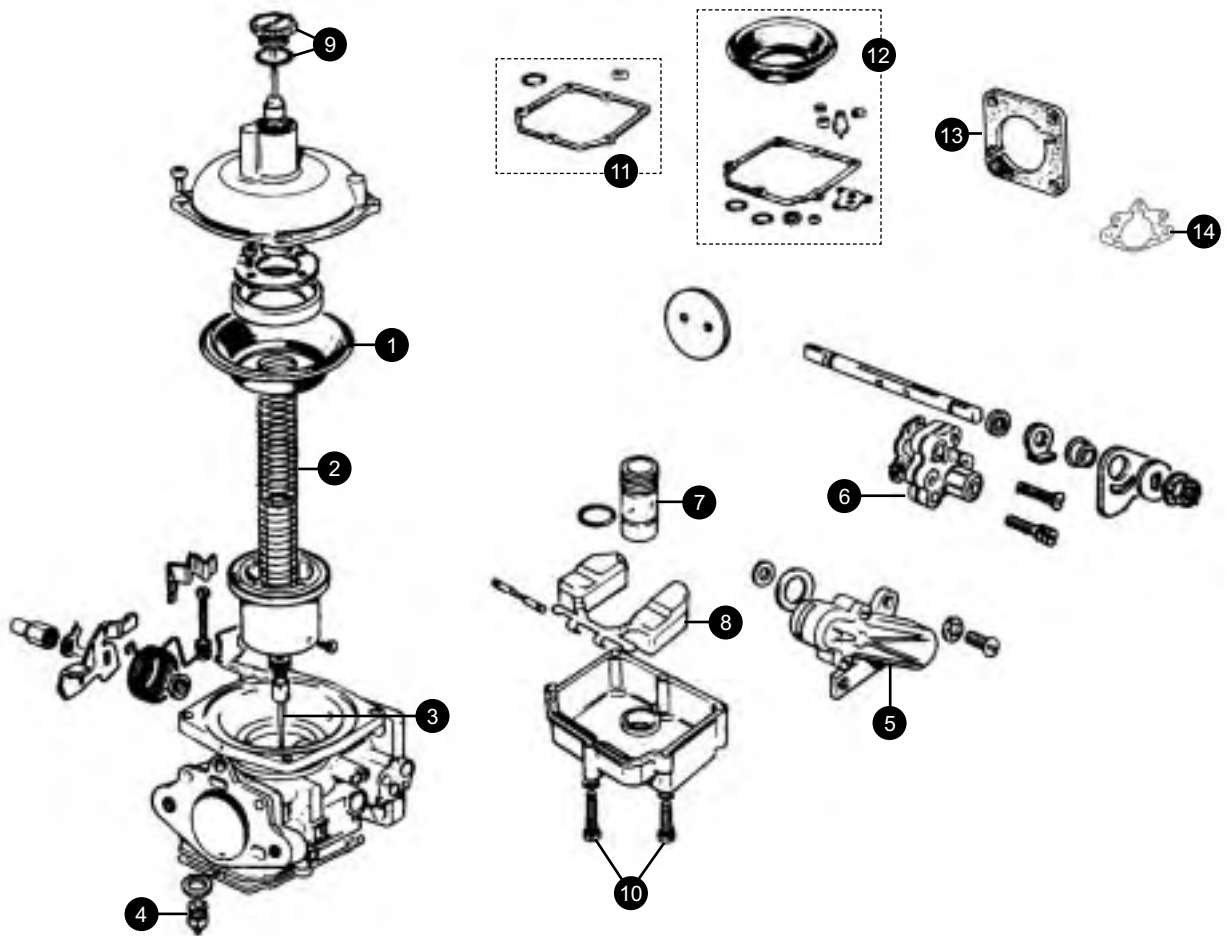


+31 13 52 11 552  
verkoop@sngbarratt.com



# Stromberg Carburettors

Buy on-line at [www.sngbarratt.com](http://www.sngbarratt.com)

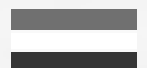


**XJ6 Series 1 & 2 Emission Pack Stromberg Carburettors for USA/Canada/Japan/Australia/Sweden**

|  |          |   |
|--|----------|---|
| <b>1. Diaphragm</b>                        | JS499    | 2 |
| <b>2. Piston spring</b>                    | 12335    | 2 |
| <b>3. Needle</b>                           |          |   |
| BICG                                       | C38792   | 2 |
| B2AZ                                       | C43153   | 2 |
| B2BC                                       | C44741   | 2 |
| <b>4. Needle &amp; seat</b>                | 12855    | 2 |
| <b>5. Compensator cover</b>                | SBS9099  | 2 |
| <b>6. Bypass valve repair</b>              | JS666    | 2 |
| <b>7. Sealing plug and seal</b>            | 12390    | 2 |
| <b>8. Float</b>                            | 519406   | 2 |
| <b>9. Damper cap assembly</b>              | 12854    | 2 |
| <b>10. Float chamber screws</b>            |          |   |
| Long                                       | 12407    | 4 |
| Short                                      | 12408    | 4 |
| <b>11. Carb gasket set</b>                 | RTC1481A | 2 |
| <b>12. Carb service kit</b>                | CDSK16   | 4 |
| <b>Carb overhaul kit (not illustrated)</b> | CDRK1    | 1 |
| <b>13. Carb spacer block</b>               | C33060   | 2 |
| <b>14. Air intake gasket</b>               | C28721   | 2 |

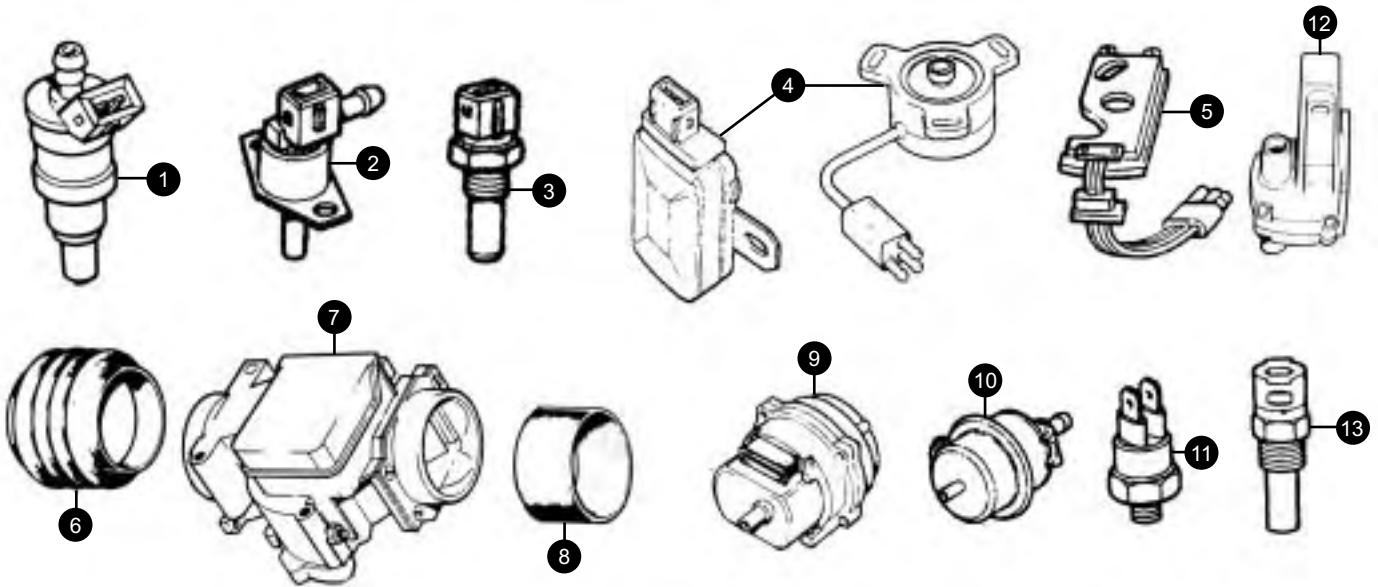
**XJ12 Series 1 & 2 Stromberg Carburettors**

|  |          |   |
|--|----------|---|
| <b>1. Diaphragm</b>                        | JS499    | 4 |
| <b>2. Piston spring</b>                    | 12856    | 4 |
| <b>3. Needle</b>                           |          |   |
| BICE                                       | C38650   | 4 |
| BICK (USA)                                 | C39479   | 4 |
| <b>4. Needle &amp; seat</b>                | 12855    | 4 |
| <b>5. Compensator cover</b>                | SBS9099  | 4 |
| <b>6. Bypass valve repair</b>              | JS666    | 4 |
| <b>7. Sealing plug and seal</b>            | 12390    | 4 |
| <b>8. Float</b>                            | 519406   | 4 |
| <b>9. Damper cap assembly</b>              | 12854    | 4 |
| <b>10. Float chamber screws</b>            |          |   |
| Long                                       | 12407    | 8 |
| Short                                      | 12408    | 8 |
| <b>11. Carb gasket set</b>                 | RTC1481A | 4 |
| <b>12. Carb service kit</b>                | CDSK14   | 4 |
| <b>Carb overhaul kit (not illustrated)</b> | CDRK1    | 1 |
| <b>13. Carb spacer block</b>               | C33060   | 4 |
| <b>14. Air intake gasket</b>               | C34605   | 4 |



# Fuel Injection Components

Buy on-line at [www.sngbarratt.com](http://www.sngbarratt.com)



## 1. Fuel injector

|                    |            |         |    |
|--------------------|------------|---------|----|
| XJ6 S3             |            | EAC1851 | 6  |
| XJ12 S2/3 pre H.E. |            | C45675  | 12 |
| XJ12 S3 H.E.       | 4.5cm hose | EAC7874 | 12 |
|                    | 9cm hose   | EAC7875 | 12 |

## 2. Cold start injector

|                 |  |         |   |
|-----------------|--|---------|---|
| XJ6 S3          |  | EAC1383 | 1 |
| XJ12 S3 1979-85 |  | EAC1383 | 2 |

## 3. Water temperature sensor

|         |  |         |   |
|---------|--|---------|---|
| XJ6 S3  |  | DBC3728 | 1 |
| XJ12 S3 |  | DBC3728 | 1 |

## 4. Throttle potentiometer

|         |             |         |   |
|---------|-------------|---------|---|
| XJ12 S3 | to 7P 42299 | C43031* | 1 |
|         | 7P42300 on  | EAC2670 | 1 |

## 5. Trigger board

|              |  |         |   |
|--------------|--|---------|---|
| XJ12 Pre H.E |  | AEU1683 | 1 |
|--------------|--|---------|---|

## 6. Air flow meter flexible hose

|                  |  |         |   |
|------------------|--|---------|---|
| XJ6 Series 3 4.2 |  | EAC6780 | 1 |
|------------------|--|---------|---|

## 7. Air flow meter

|                  |  |         |   |
|------------------|--|---------|---|
| XJ6 Series 3 4.2 |  | EAC3820 | 1 |
|------------------|--|---------|---|

## 8. Air flow meter hose

|                  |  |         |   |
|------------------|--|---------|---|
| XJ6 Series 3 4.2 |  | EAC1301 | 1 |
|------------------|--|---------|---|

## 9. Manifold pressure sensor

|                 |                       |        |   |
|-----------------|-----------------------|--------|---|
| XJ12 S3 1979-85 |                       |        |   |
|                 | Australia/ Canada/USA | C46172 | 1 |
|                 | All other countries   | C46171 | 1 |

## 10. Pressure regulator

|                    |  |         |   |
|--------------------|--|---------|---|
| XJ6 S3 to 8L139876 |  | EAC1284 | 1 |
| XJ6 S3 8L139877 on |  | EAC4864 | 1 |
| XJ12 S3 to 7P48370 |  | EAC1284 | 1 |
| XJ12 S3 7P48371 on |  | EAC4864 | 1 |

## 11. Thermal switch

|        |  |         |   |
|--------|--|---------|---|
| XJ6 S3 |  | EAC3762 | 1 |
|--------|--|---------|---|

## 12. Extra air valve

|                 |          |         |   |
|-----------------|----------|---------|---|
| XJ12 S3 1979-85 |          | EAC2273 | 1 |
| XJ12 S3 1979-85 | USA H.E. | EAC4438 | 1 |

## 13. Thermo time switch

|                                      |  |         |   |
|--------------------------------------|--|---------|---|
| XJ6 S3                               |  | EAC1385 | 1 |
| XJ12 S3 all markets to 7P42299       |  | EAC1385 | 1 |
| XJ12 S3 Australia Japan 7P42300 on   |  | EAC1385 | 1 |
| XJ12 S3 All other markets 7P42300 on |  | EAC1385 | 1 |



+44 (0) 1746 765432  
sales.uk@sngbarratt.com



+1 603 622 1050  
sales.usa@sngbarratt.com



+33 3 85 201 420  
sngbarratt.france@wanadoo.fr

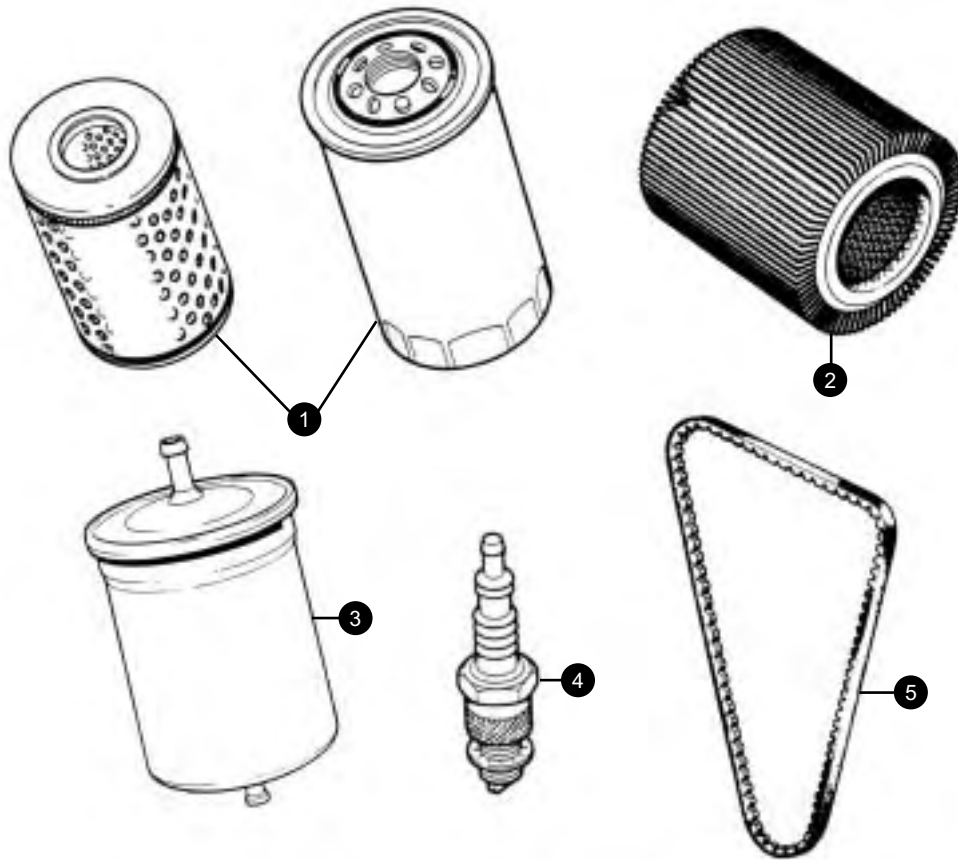


+31 13 52 11 552  
verkoop@sngbarratt.com

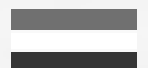


# Quick Reference Service Spares

Buy on-line at [www.sngbarratt.com](http://www.sngbarratt.com)



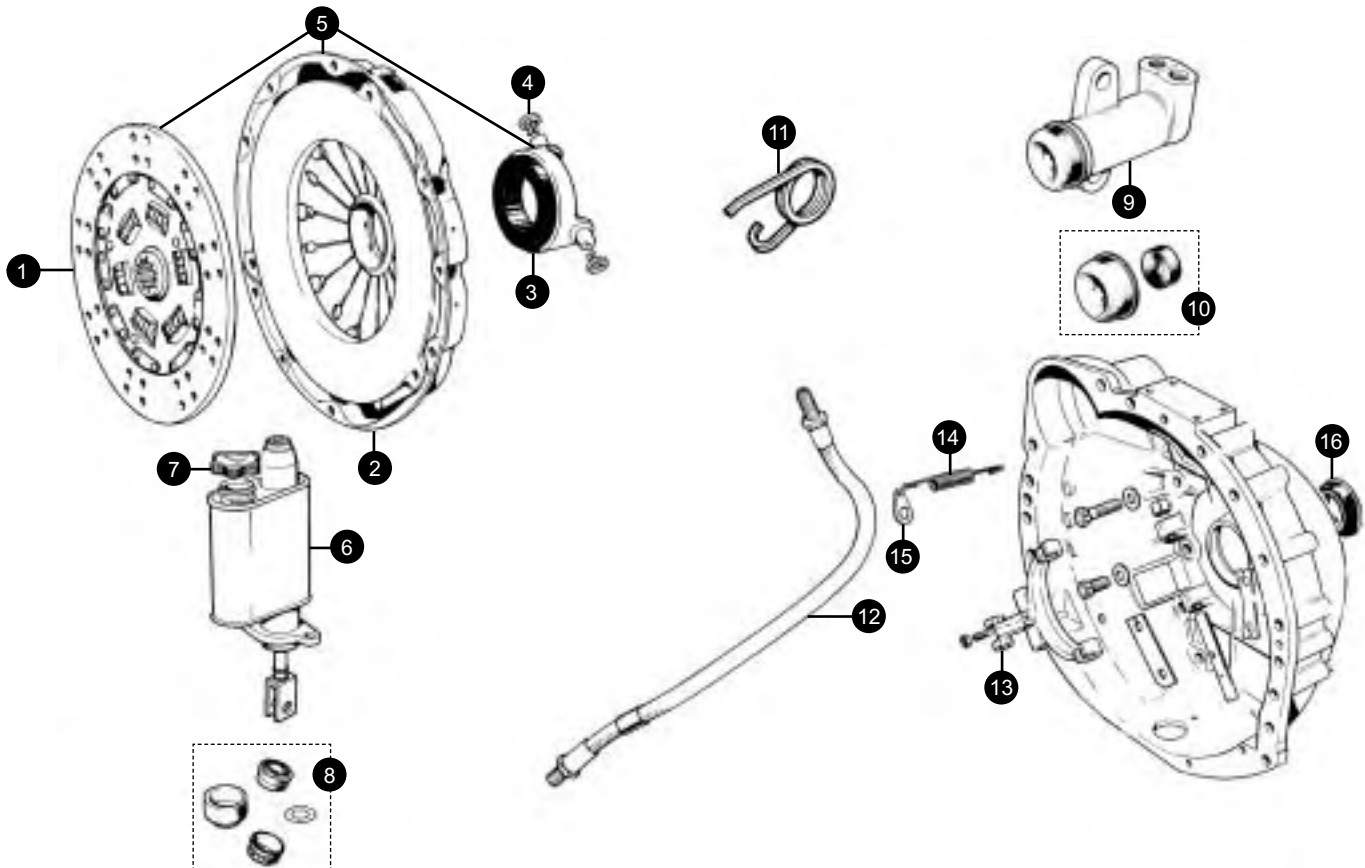
|  | <b>1. Oil filter</b>                | <b>2. Air filter</b>          | <b>3. Fuel filter</b>               | <b>4. Spark plugs</b>                       |
|--|-------------------------------------|-------------------------------|-------------------------------------|---|
| <b>XJ6 S1 2.8</b>                          | JLM9546 x 1                         | C30489 x 1                    | C28080 small x 1<br>JS660 large x 1 | JLM9664 x 6                                 |
| <b>XJ6 S1 4.2</b>                          | JLM9546 x 1                         | C30489 x 1                    | C28080 small<br>JS660 large x 1     | EAC8917 x 6                                 |
| <b>XJ6 S2 3.4</b>                          | EBC9658 x 1                         | C30489 x 1                    | JS660 x 1                           | EAC8916 x 6                                 |
| <b>XJ6 S2 4.2</b>                          | EBC9658 x 1                         | C30489 x 1                    | JS660 x 1                           | EAC8917 x 6                                 |
| <b>XJ6 S3 3.4</b>                          | EBC9658 x 1                         | C30489 x 1                    | C41817 x 1                          | EAC8916 x 6                                 |
| <b>XJ6 S3 4.2</b>                          | EBC9658 x 1                         | EAC4840 x 1                   | EAC3112 x 1                         | EAC8915 x 6                                 |
| <b>XJ12 S1/2</b>                           | JLM9547 x 1                         | C37066 x 2                    | JS660 x 1                           | EAC8915 x 12                                |
| <b>XJ12 S2 carb.</b>                       | JLM9547 x 1                         | C37066 x 2                    | JS660 x 1                           | EAC8915 x 12                                |
| <b>XJ12 S2 injec.</b>                      | EBC9658 x 1                         | EAC1828 x 2                   | EAC1498 x 1                         | EAC8915 x 12                                |
| <b>XJ12 S3 pre H.E.</b>                    | EBC9658 x 1                         | EAC1828 x 2                   | EAC1498 x 1                         | EAC8915 x 12                                |
| <b>XJ12 S3 H.E.</b>                        | EBC9658 x 1                         | EAC1828 x 2                   | EAC3112 x 1                         | EBC4021 x 12                                |
| <b>4. Fan/drive belts</b>                  | <b>Waterpump</b>                    | <b>Alternator</b>             | <b>Fan</b>                          | <b>Air conditioning</b>                     |
| <b>XJ6 S1 2.8</b>                          | C27844/1 with PAS<br>C20887 non PAS | EAC1616                       | -                                   | -   |
| <b>XJ6 S1/2 4.2</b><br><b>XJ6 S2/3 3.4</b> | EAC1348                             | EAC1324                       | -                                   | EAC1349                                     |
| <b>XJ6 S3 4.2</b>                          | EAC1348                             | EAC1616 early<br>EAC3764 late | -                                   | EAC1349                                     |
| <b>XJ12 S1/2/3</b>                         | EAC1323                             | EAC1616                       | C43070                              | C36123 Carb models<br>EAC1605 Injec. models |





# XJ6 Clutch

Buy on-line at [www.sngbarratt.com](http://www.sngbarratt.com)



### 1. Clutch plate

|     |              |         |   |
|-----|--------------|---------|---|
| 2.8 | 9.5"         | HB8749  | 1 |
| 3.4 | 9.5" 4 speed | HB8786  | 1 |
|     | 9.5" 5 speed | EAC1906 | 1 |
| 4.2 | 9.5" 4 speed | HB8786  | 1 |
|     | 9.5" 5 speed | EAC1906 | 1 |

### 2. Clutch cover

|     |              |         |   |
|-----|--------------|---------|---|
| 2.8 | 9.5"         | C35527  | 1 |
| 3.4 | 9.5" 4 speed | C35527  | 1 |
|     | 9.5" 5 speed | HE2503  | 1 |
| 4.2 | 9.5" 4 speed | HE4562  | 1 |
|     | 9.5" 5 speed | EAC1905 | 1 |

### 3. Release bearing

|     |              |        |   |
|-----|--------------|--------|---|
| 2.8 | 9.5"         | HD3319 | 1 |
| 3.4 | 9.5" 4 speed | HD3264 | 1 |
|     | 9.5" 5 speed | HD3264 | 1 |
| 4.2 | 9.5" 4 speed | HD3319 | 1 |
|     | 9.5" 5 speed | HD3264 | 1 |

### 4. Release bearing clip

|  |  |        |   |
|--|--|--------|---|
|  |  | C22479 | 2 |
|--|--|--------|---|

### 5. 3 piece clutch kit

|         |              |         |   |
|---------|--------------|---------|---|
| XJ6 2.8 | 9.5"         | N/A     | 1 |
| XJ6 3.4 | 9.5" 4 speed | HK9746  | 1 |
|         | 9.5" 5 speed | HK9769  | 1 |
| XJ6 4.2 | 9.5" 4 speed | HK9702Q | 1 |
|         | 9.5" 5 speed | EAC1905 | 1 |

### 6. Clutch master cylinder

|     |     |         |   |
|-----|-----|---------|---|
| XJ6 | RHD | CAC1028 | 1 |
|     | LHD | CAC1029 | 1 |

### 7. Clutch reservoir cap

513123J

### 8. Clutch master cylinder repair kit

|               |          |   |
|---------------|----------|---|
| S1/S2 early   | 8G8730J  | 1 |
| S2 75-76      | 6593     | 1 |
| S2 76 on & S3 | BHM7127J | 1 |

### 9. Clutch slave cylinder

|                |         |   |
|----------------|---------|---|
| XJ6 S1/2 early | C29952  | 1 |
| XJ6 S2 late/S3 | EAC1902 | 1 |

### 10. Clutch slave cylinder repair kit

|               |         |   |
|---------------|---------|---|
| XJ S1/2 early | 8G8446J | 1 |
| XJ S2 late/3  | AEU1062 | 1 |

### 11. Clutch pedal return spring

C8966

### 12. High pressure hose

|                |         |   |
|----------------|---------|---|
| XJ6 S1/2 early | C32377* | 1 |
| XJ6 S2 late/S3 | EAC1916 | 1 |

### 13. Clutch arm

|          |          |  |
|----------|----------|--|
| XJ6 S1/2 | C9797    |  |
| XJ6 S3   | FRC5374J |  |

### 14. Spring

C5120

### 15. Spring plate

C5178

### 16. Clutch housing oil seal

C18739



+44 (0) 1746 765432  
sales.uk@sngbarratt.com



+1 603 622 1050  
sales.usa@sngbarratt.com



+33 3 85 201 420  
sngbarratt.france@wanadoo.fr

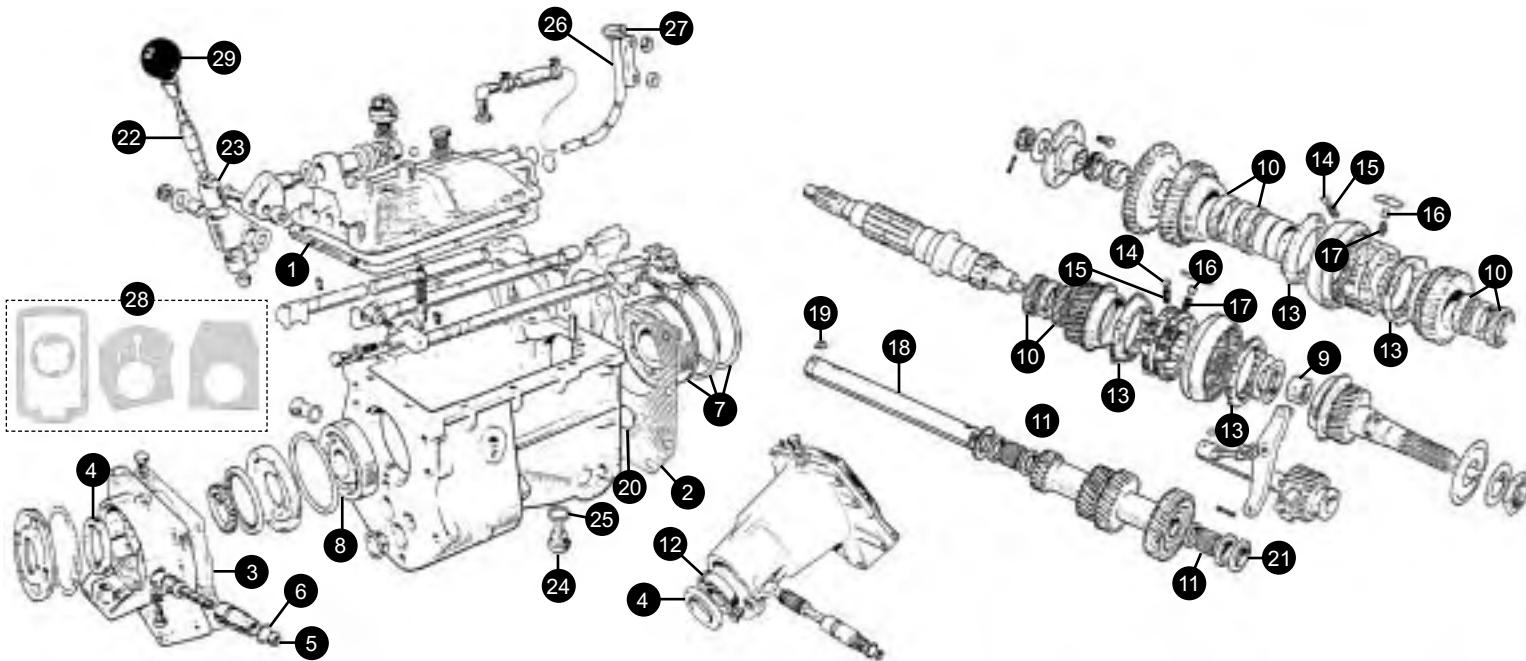


+31 13 52 11 552  
verkoop@sngbarratt.com



# Manual Gearbox XJ6 S1/2

Buy on-line at [www.sngbarratt.com](http://www.sngbarratt.com)



|  |       |         |     |
|--|-------|---------|-----|
| <b>1. Top cover gasket</b>                 |       | C20057  | 1   |
| <b>2. Front gasket</b>                     |       | C20658  | 1   |
| <b>3. Rear gasket</b>                      |       | C20020  | 1   |
| <b>4. Rear oil seal (non overdrive)</b>    |       | C23394* | 1   |
| <b>5. Speedometer pinion seal</b>          |       | C32592J | 1   |
| <b>6. Speedometer housing sealing ring</b> |       | C9177   | 1   |
| <b>7. Front main bearing</b>               |       | C20491  | 1   |
| <b>8. Rear main bearing</b>                |       | C1845/1 | 1   |
| <b>9. Needle bearing on input shaft</b>    |       | C25424  | 1   |
| <b>10. Mainshaft needle rollers</b>        |       | C231093 | 332 |
| <b>11. Countershaft needle rollers</b>     |       | C38573  | 58  |
| <b>12. Rear extension housing bearing</b>  |       | C18719  | 1   |
| <b>13. Synchro ring</b>                    |       | C22391  | 4   |
| <b>14. Detent ball</b>                     |       | C1319   | 6   |
| <b>15. Detent ball spring</b>              |       | C24181  | 6   |
| <b>16. Detent plunger</b>                  |       | C21088  | 6   |
| <b>17. Detent plunger spring</b>           |       | C27491  | 6   |
| <b>18. Countershaft</b>                    |       | C39665  | 1   |
| <b>19. Woodruff key</b>                    |       | C753    | 1   |
| <b>20. Fibre plug</b>                      |       | C920    | 1   |
| <b>21. Thrust washer</b>                   |       | C1862   | 1   |
|  |       | C1862/2 | 1   |
| <b>22. Gear lever</b>                      |       | C23178  | 1   |
| Non overdrive                              |       | C30504  | 1   |
| Overdrive                                  |       |         |     |
| <b>23. Gear lever bush</b>                 | Upper | C22394  | 1   |
|  | Lower | C21921  | 1   |
| <b>Gearlever bush set</b>                  |       | GLS001  | 1   |
| <b>24. Drain plug</b>                      |       | C19543  | 1   |
| <b>25. Washer</b>                          |       | C785    | 1   |
| <b>26. Breather tube</b>                   |       | C25028  | 1   |
| <b>27. Breather tube cap</b>               |       | C34258  | 1   |

|                               |        |   |
|-------------------------------|--------|---|
| <b>28. Gearbox gasket set</b> | ENT104 | 1 |
| <b>29. Gearknob</b>           |        |   |
| Non overdrive                 | C23007 | 1 |
| Overdrive                     | C30506 | 1 |



The word of Jaguar is a world of unsurpassing excellence to which ordinary mortals can only aspire. This newest Jaguar, the Series III, is a vivid demonstration of our very high standards of handling, response and luxury.

Its engine is an elegant refinement of the legendary Jaguar double-overhead-cam six. To begin with, it ignites its electronic. The engine is a structurally responsive yet almost silent in its movements. It features a Bosch-Lucas electronic fuel injection system and a separate cold start fuel enrichment system to assure quick starts even in the coldest of mornings.

Like all Jaguars, the Series III handles with a sureness and precision that is perhaps best compared to the response of a sports car. The Series III has a notably responsive power-assisted rack and pinion steering, its feel for the road is uncommonly good due to fully independent suspension on all four wheels. Four of ten power disc brakes stop the car smoothly and decisively.

Inside the Jaguar Series III, virtually every amenity has been thought of and provided. The luxurious use of the best quality, rare-banded wood veneers on the dashboard, upper torpedoes and on the rear parcel shelf, deep carpeting and a luxurious interior that is all but astonishing in a car of Jaguar's performance capabilities. There is a heating and air conditioning system which regulates itself automatically regardless of the weather. A power window opens and shuts at your whim. Power door locks, windows and a power operated antenna that have a substantially

When the engine is turned off, all contribute to the ease of driving this superb machine. The AMFM stereo radio has a light-seeking tuner and cassette player. Cruise control is there to assist you in maintaining speed on long trips. And all this is standard equipment.

Come, demonstrate to yourself the experience of the best of all Jaguars. Driving the Series III is an experience you will never forget.

**THE BEST JAGUAR EVER BUILT**

So great is Jaguar's confidence in the Series III that the SBT includes the SBC's 12-month in-paint warranty for a full-time user or 24-month, which ever comes first, for the rest of the life of the car. For more information, please contact: Jaguar Sales, 10000 Woodbridge Road, Woodbridge, VA 22191, USA. Tel: (800) 221-4462.

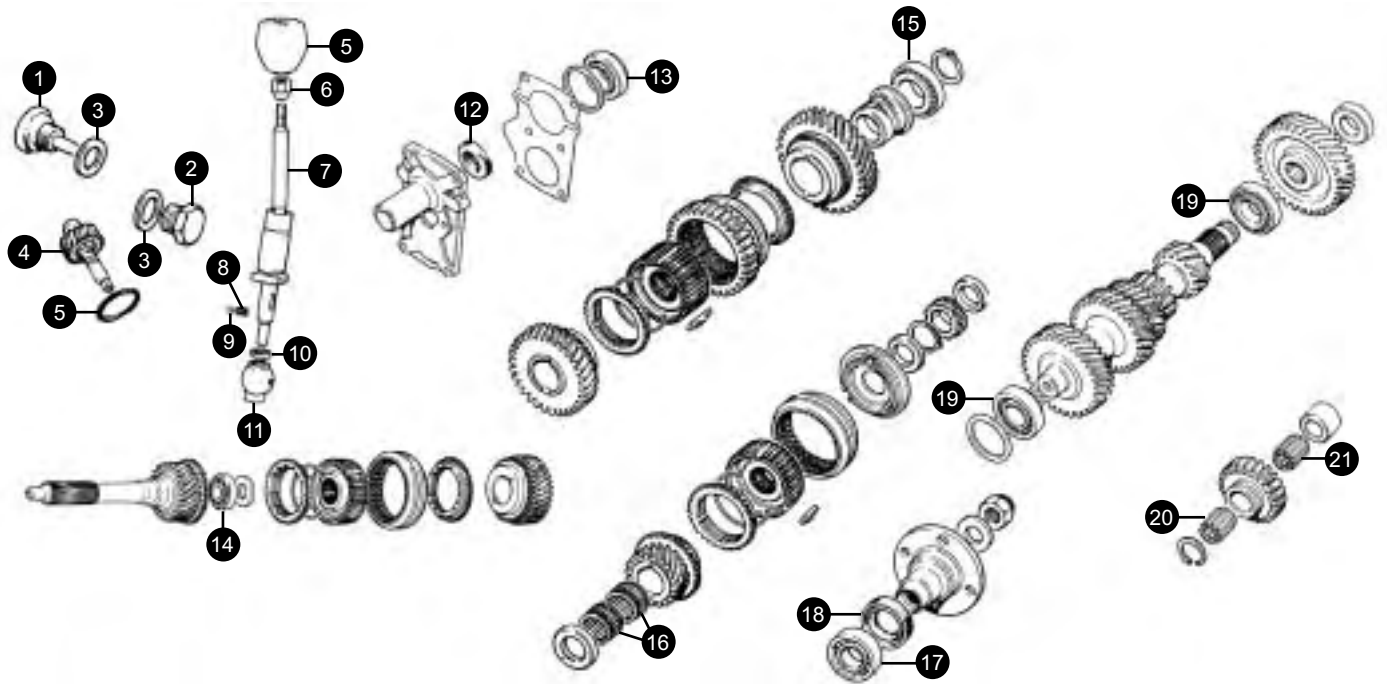
JAGUAR  
A MEMBER OF THE BORG MERRILL GROUP

© Jaguar Brand Products Inc. 1993. A U.S. Division of Jaguar Cars Ltd. All rights reserved.



# Manual Gearbox XJ6 S3

Buy on-line at [www.sngbarratt.com](http://www.sngbarratt.com)



|                              |          |         |   |                           |          |   |
|------------------------------|----------|---------|---|---------------------------|----------|---|
| <b>1. Oil filler plug</b>    |          | UKC3771 | 1 | <b>10. Washer</b>         | EAC1852  | 1 |
| <b>2. Oil drain plug</b>     |          | UKC26   | 1 | <b>11. Gearlever bush</b> | EAC1817  | 1 |
| <b>3. Sealing washer</b>     |          | WF13    | 1 | <b>12. Seal</b>           | UKC1060J | 1 |
| <b>4. Speedo pinion gear</b> |          |         |   | <b>13. Bearing</b>        | FRC7145J | 1 |
| 3.4                          | 22 teeth | 219003  | 1 | <b>14. Bearing</b>        | UKC8J    | 1 |
| 4.2                          | 21 teeth | 219002J | 1 | <b>15. Bearing</b>        | UKC169J  | 1 |
| <b>5. Gearknob</b>           |          | EAC1713 | 1 | <b>16. Bearing</b>        | FRC5280J | 2 |
| <b>6. Locking cone</b>       |          | EAC1896 | 1 | <b>17. Bearing</b>        | ULC4046  | 1 |
| <b>7. Gearstick</b>          |          | EAC1854 | 1 | <b>18. Seal</b>           | FRC6084  | 1 |
| <b>8. Spring</b>             |          | EAC1663 | 1 | <b>19. Bearing</b>        | ULC1796J | 1 |
| <b>9. Ball</b>               |          | C1319   | 1 | <b>20. Bearing</b>        | FRC6184  | 1 |
|                              |          |         |   | <b>21. Bearing</b>        | ULC1626  | 1 |



+44 (0) 1746 765432  
sales.uk@sngbarratt.com



+1 603 622 1050  
sales.usa@sngbarratt.com



+33 3 85 201 420  
sngbarratt.france@wanadoo.fr

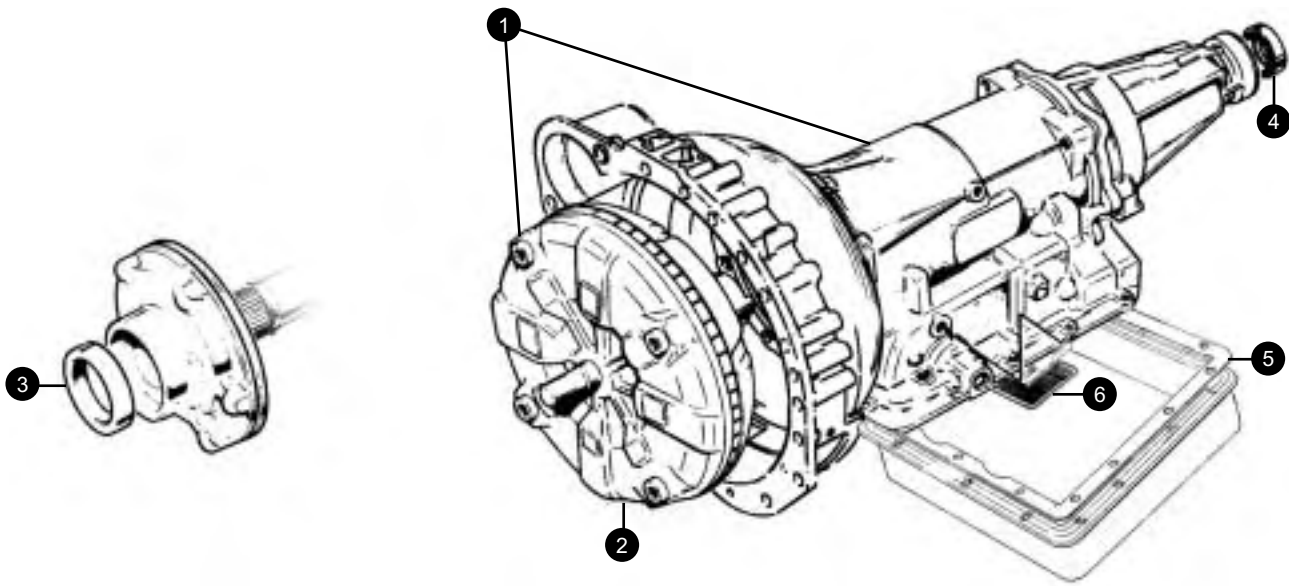


+31 13 52 11 552  
verkoop@sngbarratt.com



# Automatic Gearbox Spares

Buy on-line at [www.sngbarratt.com](http://www.sngbarratt.com)



### 1. Gearbox & torque converter

|          |         |   |
|----------|---------|---|
| Model 8  | 8GBTC   | 1 |
| Model 12 | 12GBTC  | 1 |
| Model 35 | 35GBTC  | 1 |
| Model 65 | 65GBTC  | 1 |
| Model 66 | 66GBTC  | 1 |
| GM400    | 400GBTC | 1 |

### 2. Torque converter

|          |       |   |
|----------|-------|---|
| Model 8  | 8TC   | 1 |
| Model 12 | 12TC  | 1 |
| Model 35 | 35TC  | 1 |
| Model 65 | 65TC  | 1 |
| Model 66 | 66TC  | 1 |
| GM400    | 400TC | 1 |

### 3. Front oil seal

|          |          |   |
|----------|----------|---|
| Model 8  | 12553    | 1 |
| Model 12 | 12553    | 1 |
| Model 35 | BAU1034J | 1 |
| Model 65 | BAU1034J | 1 |
| Model 66 | BAU1034J | 1 |
| GM400    | AEU1065  | 1 |

### 4. Rear oil seal

|          |        |   |
|----------|--------|---|
| Model 8  | 3762   | 1 |
| Model 12 | 12549  | 1 |
| Model 35 | RTC447 | 1 |
| Model 65 | RTC447 | 1 |
| Model 66 | RTC447 | 1 |
| GM400    | JLM347 | 1 |

### 5. Sump gasket

|          |          |   |
|----------|----------|---|
| Model 8  | 107281   | 1 |
| Model 12 | 107281   | 1 |
| Model 35 | RTC1871  | 1 |
| Model 65 | AAU8434J | 1 |
| Model 66 | AAU8434J | 1 |
| GM400    | JLM1487  | 1 |

### 6. Sump filter

|          |           |   |
|----------|-----------|---|
| Model 8  | 10726     | 1 |
| Model 12 | 12598     | 1 |
| Model 35 | 9844/9845 | 1 |
| Model 65 | AAU7085J  | 1 |
| Model 66 | AAU7085J  | 1 |
| GM400    | AAU6690   | 1 |

### Gearbox overhaul kit

|          |       |   |
|----------|-------|---|
| Model 8  | 8OK   | 1 |
| Model 12 | 12OK  | 1 |
| Model 35 | 35OK  | 1 |
| Model 65 | 65OK  | 1 |
| Model 66 | 65OK  | 1 |
| GM400    | 400OK | 1 |

### Gearbox master overhaul kit (includes clutches)

|          |        |   |
|----------|--------|---|
| Model 8  | 8MOK   | 1 |
| Model 12 | 12MOK  | 1 |
| Model 35 | 35MOK  | 1 |
| Model 65 | 65MOK  | 1 |
| Model 66 | 65MOK  | 1 |
| GM400    | 400MOK | 1 |

### Gearbox gasket set

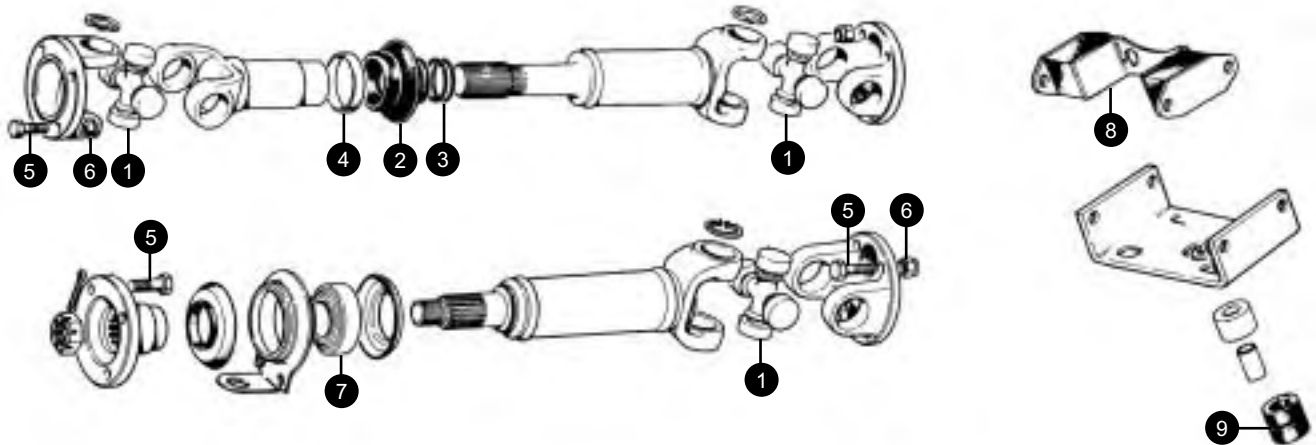
|          |      |   |
|----------|------|---|
| Model 8  | 8GK  | 1 |
| Model 12 | 12GK | 1 |
| Model 35 | 35GK | 1 |
| Model 65 | 65GK | 1 |
| Model 66 | 65GK | 1 |

Many other parts are available so please contact us if what you need isn't listed...



# Propshaft

Buy on-line at [www.sngbarratt.com](http://www.sngbarratt.com)



|                                 |         |   |                                |           |    |
|---------------------------------|---------|---|--------------------------------|-----------|----|
| <b>1. Universal joint</b>       |         |   |                                |           |    |
| Standard                        | JLM823  | 3 | <b>4. Steel retaining ring</b> | 9413      | 1  |
| Up-rated                        | JLM823U | 3 | <b>5. Propshaft bolt</b>       | C19827    | 12 |
| <b>2. Joint gaiter</b>          | JLM1543 | 1 | <b>6. Propshaft nut</b>        | NZ606041J | 12 |
| <b>3. Rubber retaining ring</b> | 9412    | 2 | <b>7. Centre bearing</b>       | 250*      | 1  |
|                                 |         |   | <b>8. Centre mounting</b>      | C36791    | 1  |
|                                 |         |   | <b>9. Grommet</b>              | CBC1448   | 4  |



+44 (0) 1746 765432  
sales.uk@sngbarratt.com



+1 603 622 1050  
sales.usa@sngbarratt.com



+33 3 85 201 420  
sngbarratt.france@wanadoo.fr

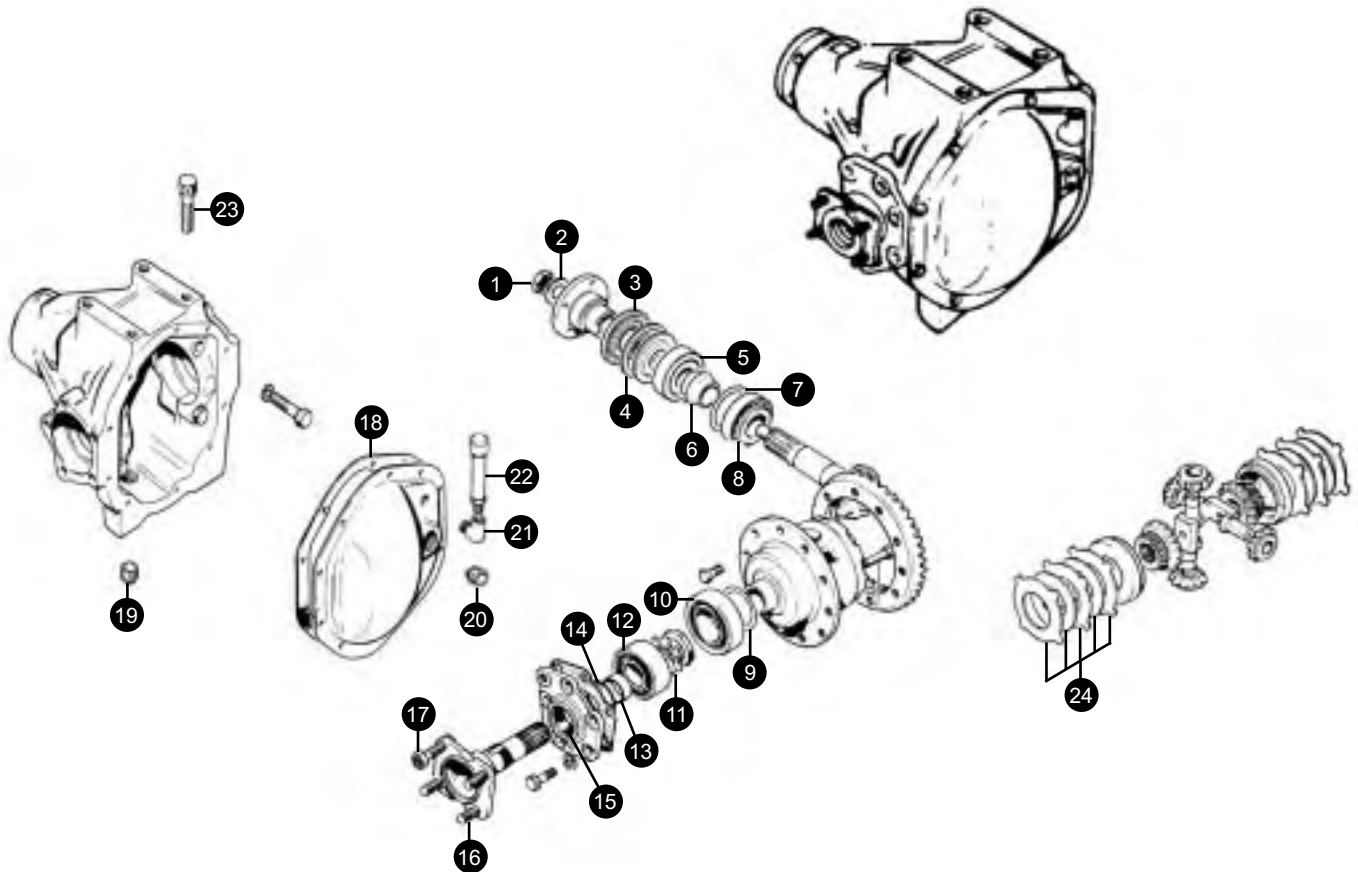


+31 13 52 11 552  
verkoop@sngbarratt.com



# Differential

Buy on-line at [www.sngbarratt.com](http://www.sngbarratt.com)



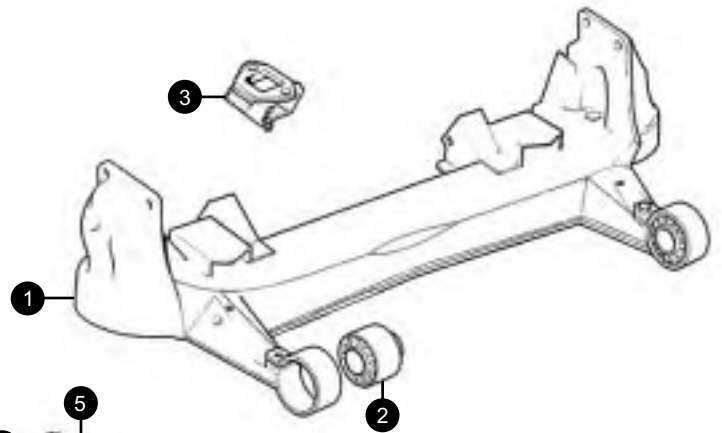
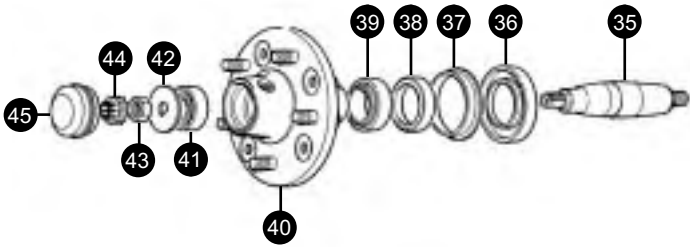
|                                |             |           |     |                                     |             |           |
|--------------------------------|-------------|-----------|-----|-------------------------------------|-------------|-----------|
| <b>1. Pinion nut</b>           |             | 11099     | 1   | S1/2 early                          | 12261       | 2         |
| <b>2. Pinion nut washer</b>    |             | WA120000J | 1   | S2 late/S3                          | CAC4999     | 2         |
| <b>3. Pinion seal</b>          |             |           |     |                                     |             |           |
|                                | S1/S2 early | 3840      | 1   |                                     |             |           |
|                                | S2 late/S3  | CBC6923   | 1   |                                     |             |           |
| <b>4. Pinion seal gasket</b>   |             | 607183J   | 1   |                                     |             |           |
| <b>5. Outer pinion bearing</b> |             | ATA7166   | 1   |                                     |             |           |
| <b>6. Collapsible spacer</b>   | 1974 on     | 12456     | 1   |                                     |             |           |
| <b>7. Shim</b>                 | 0.003"      | 3860      | A/R |                                     |             |           |
|                                | 0.005"      | 3861      | A/R |                                     |             |           |
|                                | 0.010"      | 3862      | A/R |                                     |             |           |
| <b>8. Inner pinion bearing</b> |             | 12252     | 1   |                                     |             |           |
| <b>9. Shim</b>                 | 0.003"      | 3935      | A/R |                                     |             |           |
|                                | 0.005"      | 3936      | A/R |                                     |             |           |
|                                | 0.010"      | 3937      | A/R |                                     |             |           |
|                                | 0.030"      | 3938      | A/R |                                     |             |           |
| <b>10. Inner bearing</b>       |             | 3845      | 2   |                                     |             |           |
| <b>11. Tab washer</b>          |             | JLM556    | 2   |                                     |             |           |
| <b>12. Outer bearing</b>       |             |           |     |                                     |             |           |
|                                |             |           |     | <b>13. Collapsible spacer</b>       | 1974 on     | RTC1348   |
|                                |             |           |     | <b>14. Bearing housing 'o' ring</b> |             |           |
|                                |             |           |     |                                     | S1/S2 early | 12473     |
|                                |             |           |     |                                     | S2 late/S3  | RTC1340   |
|                                |             |           |     | <b>15. Output shaft seal</b>        |             |           |
|                                |             |           |     |                                     | S1/S2 early | RTC1216   |
|                                |             |           |     |                                     | S2 late/S3  | JLM1264   |
|                                |             |           |     | <b>16. Output flange stud</b>       |             | 8510      |
|                                |             |           |     | <b>17. Brake disc nut</b>           |             | NV607041J |
|                                |             |           |     | <b>18. Gasket</b>                   |             | 3931      |
|                                |             |           |     | <b>19. Drain plug</b>               |             | 607172J   |
|                                |             |           |     | <b>20. Filler plug</b>              |             | 607172J   |
|                                |             |           |     | <b>21. Breather elbow</b>           |             | 8509      |
|                                |             |           |     | <b>22. Breather</b>                 |             | C25716    |
|                                |             |           |     | <b>23. Mounting bolt</b>            |             | JZS100090 |
|                                |             |           |     | <b>24. Friction plates</b>          |             |           |
|                                |             |           |     |                                     | Flat        | RTC1349A  |
|                                |             |           |     |                                     | Dished      | RTC1350A  |
|                                |             |           |     |                                     | Friction    | RTC1416A  |



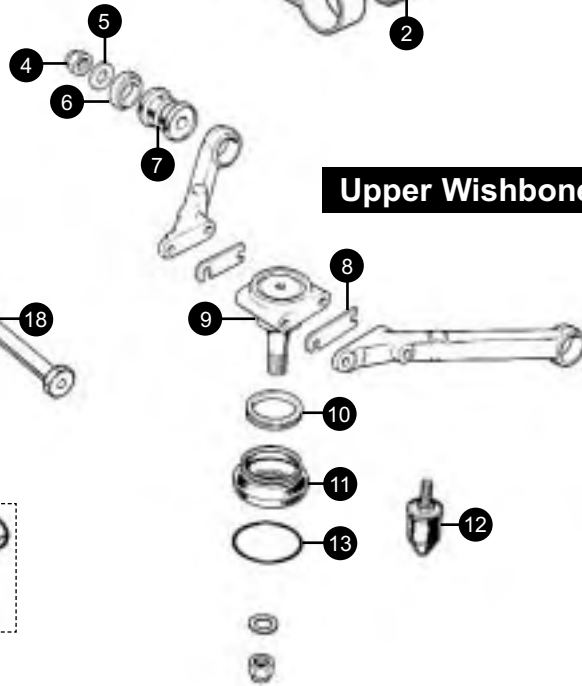
# Front Suspension

Buy on-line at [www.sngbarratt.com](http://www.sngbarratt.com)

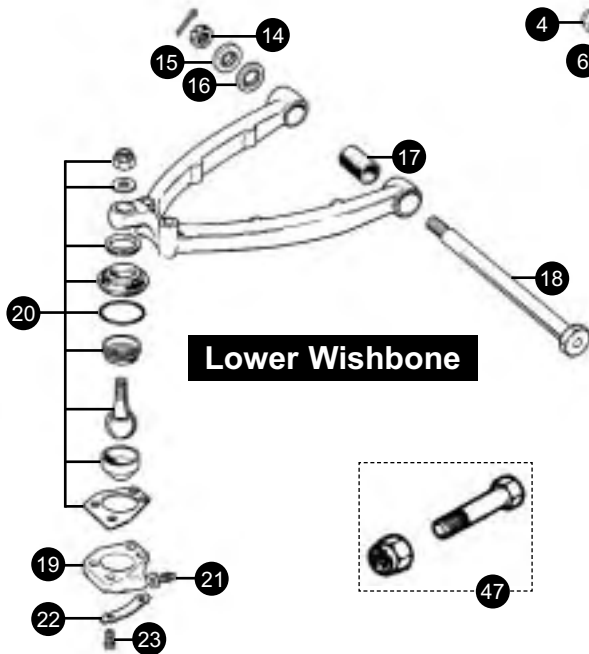
## Front Hub & Stub Axle



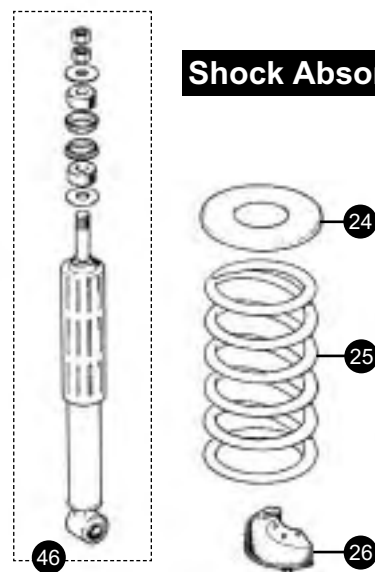
## Upper Wishbone



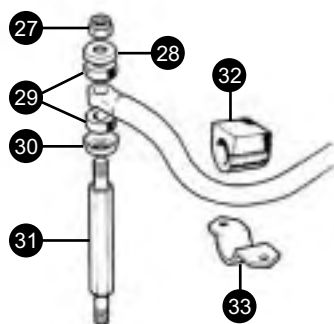
## Lower Wishbone



## Shock Absorber & Spring



## Anti-roll Bar



+44 (0) 1746 765432  
sales.uk@sngbarratt.com



+1 603 622 1050  
sales.usa@sngbarratt.com



+33 3 85 201 420  
sngbarratt.france@wanadoo.fr



+31 13 52 11 552  
verkoop@sngbarratt.com





# Front Suspension

Buy on-line at [www.sngbarratt.com](http://www.sngbarratt.com)

|  |                            |        |
|--|----------------------------|--------|
| <b>1. Front suspension crossmember</b>   | MHC2244AA                  | 1      |
| <b>2. Front suspension front mtg bush</b>  | MHC2370AA                  | 2      |
| <b>3. Front suspension rear "V" mtg</b>  | CBC5735                    | 2      |
| <b>4. Nut</b>  | TN3211                     | 4      |
| <b>5. Washer</b>   | C30993                     | 4      |
| <b>6. Washer</b>   | C29975                     | 8      |
| <b>7. Upper wishbone bush</b>  | standard CAC9295           | 4      |
|  | Polybush CAC9295U          | 4      |
| <b>8. Shim</b>   | CBC64162                   | 8      |
| <b>9. Upper ball joint</b>   | sealed CAC9938             | 2      |
|  | original GSJ145            | 2      |
| <b>10. Gaiter retaining ring</b>   | C22970                     | 4      |
| <b>11. Ball joint gaiter</b>   | clear C43216               | 4      |
|  | black C43216BLK            | 4      |
| <b>12. Upper bump stop</b>   | C29979                     | 4      |
| <b>13. Gaiter retaining band</b>   | C22969*                    | 4      |
| <b>14. Nut</b>   | NL609041J                  | 2      |
| <b>15. Washer</b>  | C30955                     | 2      |
| <b>16. Washer</b>  | C30954                     | 4      |
| <b>17. Lower wishbone bush</b>   | standard C8673             | 4      |
|  | Polybush C8673U            | 4      |
| <b>18. Lower fulcrum pin</b>   | C30722                     | 2      |
| <b>19. Lower ball joint cup</b>  | C24222                     | 2      |
| <b>20. Lower ball joint kit</b>  | QSJ221RK±                  | 2      |
| ±(It is possible to fit the CAC9937 'sealed for life' bottom ball joint used on the XJ40's. This is considered to be a worthwhile modification as it won't require periodic greasing or reshimming. However it will be necessary to remove the ball pin spigot from the the stub axle carrier to facilitate fitment. ) |                            |        |
| <b>21. Grease nipple</b>   | C3044/1                    | 2      |
| <b>22. Locktab</b>   | C15343                     | 4      |
| <b>23. Bolt</b>  | C15344                     | 8      |
| <b>24. Packing ring</b>  | 0.125" C41271              | A/R    |
| <b>25. Road spring set</b>   |                            |        |
|  | XJ6 2.8 JLM10920           | 1 pair |
|  | XJ6 4.2 non aircon RTC2754 | 1 pair |
|  | XJ12 RTC2753*              | 1 pair |
| <b>26. Lower bump stop</b>   | C43790                     | 2      |
| <b>27. Nut</b>   | NZ 606041J                 | 4      |
| <b>28. Washer</b>  | C11045                     | 4      |
| <b>29. Bush</b>  | standard C10996            | 8      |
|  | Polybush C10996U           | 8      |
| <b>30. Washer</b>  | CCC6967                    | 4      |
| <b>31. Anti roll bar link</b>  | C46186                     | 2      |
| <b>32. Anti roll bar mounting bush</b>   |                            |        |
|  | XJ6 C30502                 | 2      |
|  | XJ12 C32925                | 2      |
|  | XJ12 1987 on CAC46517      | 2      |
| <b>33. Anti roll bar support bracket</b>   |                            |        |
| to 1987  | RH C30500                  | 1      |
|  | LH C30501                  | 1      |
| 1987 on  | RH CBC5336                 | 1      |
|  | LH CBC5337                 | 1      |
| <b>34. Anti roll bar link bush and washer set</b>  |                            |        |
| Includes 27,28,29 & 30   | JLM11906*                  | 2      |
| <b>35. Stub axle</b>   |                            |        |
| Early to approx 1975   | C27787                     | 2      |
| Late 1975 on   | CCC5136                    | 2      |

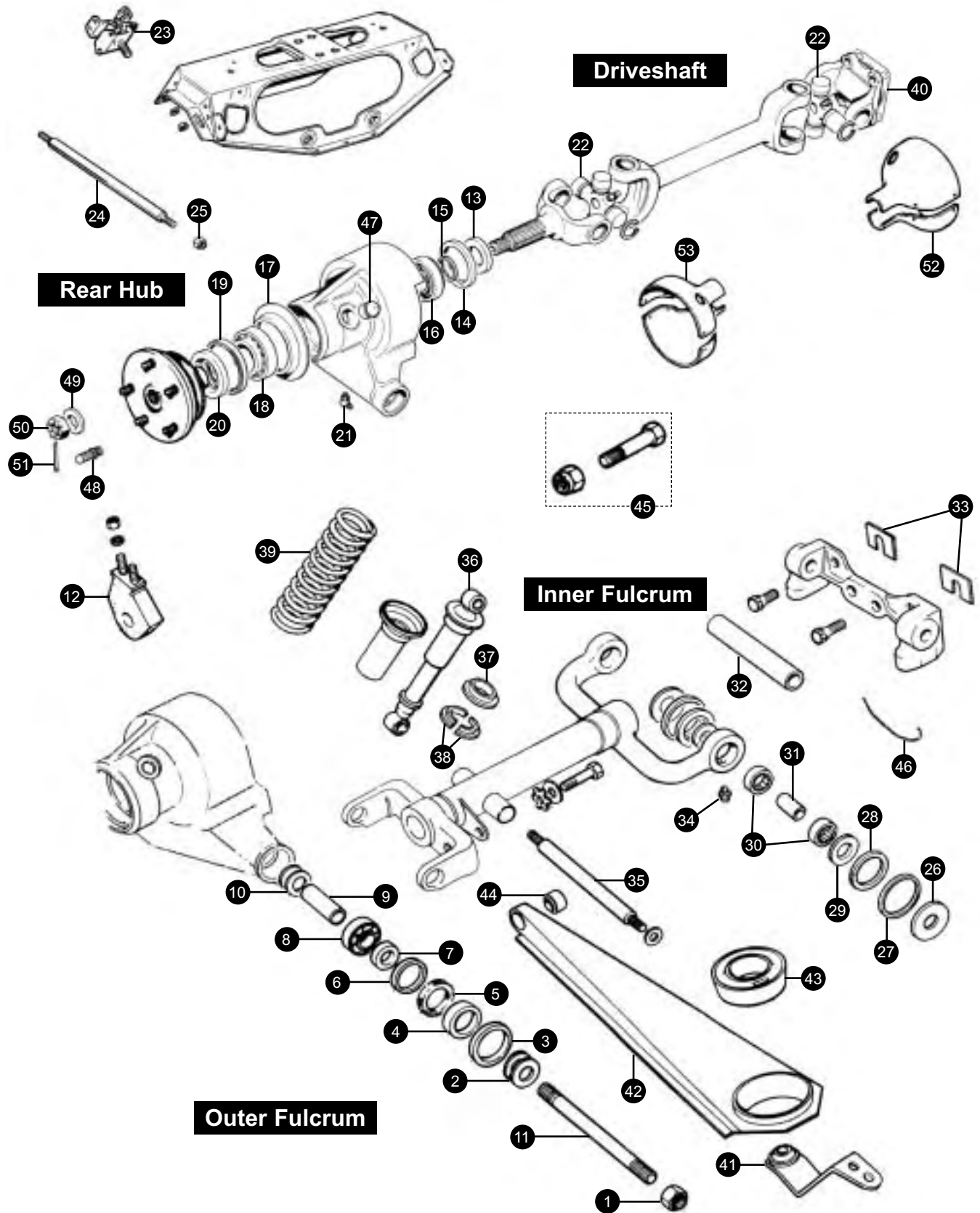
|  |                  |    |
|--|------------------|----|
| <b>36. Water deflector on stub</b>   | C18843           | 2  |
| <b>37. Water deflector on hub</b>  | C18842           | 2  |
| <b>38. Hub oil seal</b>  |                  |    |
| Early to approx 1975   | C15350±          | 2  |
| Late 1975 on   | C45711±±         | 2  |
| <b>39. Inner wheel bearing</b>   |                  |    |
| Early to approx 1975   | C15351±          | 2  |
| Late 1975 on   | C45709±±         | 2  |
| <b>40. Wheel stud</b>  | C27779           | 10 |
| <b>41. Outer wheel bearing</b>   |                  |    |
| Early to approx 1975   | C15352±          | 2  |
| Late 1975 on   | C45710±±         | 2  |
| ± Included in front wheel bearing kit                                      | JLM257           | 2  |
| ±± Included in front wheel bearing kit                                     | JLM258           | 2  |
| <b>42. D shaped washer</b>   |                  |    |
| Early to approx 1975   | C3400            | 2  |
| Late 1975 on   | C45724           | 2  |
| <b>43. Nut</b>   |                  |    |
| Early to approx 1975   | NL609041J        | 2  |
| Late 1975 on   | NT610041J        | 2  |
| <b>44. Lock nut</b>  |                  |    |
| Late 1975 on only  | C45726           | 2  |
| <b>45. Grease cap</b>  | CBC6766          | 2  |
| <b>46. Shock absorber</b>  | standard CAC9089 | 2  |
|  | Koni 26-1089     | 2  |
| <b>47. Nuts &amp; bolts</b>  |                  |    |
| ARB bush keep plate bolt   | JLM9676          | 4  |
| ARB bush keep plate bolt- nut  | NZ606041J        | 4  |
| Bottom ball joint cap to housing bolt                                      | C15344           | 8  |
| Stub axle shaft inner nut  | C8737/7          | 2  |
| Lower shock absorber bolt  | C22827           | 2  |
| Lower shock absorber bolt- nut   | NY607041J        | 2  |
| Upper ball joint nut (original type)                                       | C8737/5          | 2  |
| Lower ball joint nut (original type)                                       | C87376           | 2  |
| Upper ball joint nut (later sealed type)                                   | NY608041J        | 2  |
| Lower ball joint nut (later sealed type)                                   | NZ609041J        | 2  |
| Special bolt to fit later sealed lower b/jnt                               | CBC1805          | 8  |
| Bolt through upper ball joint- short                                       | C29890           | 2  |
| Bolt through upper ball joint- long  | BH606321J        | 2  |
| Bolt through upper ball joint- nut   | NY606041J        | 4  |
| Pinch bolt for subframe front bush   | SH608101         | 2  |
| Bolt through fnt subframe eye bush   | RTC2584          | 2  |
| Vee mounting attachment bolt   | SH605081         | 4  |
| Vee mounting stud- nut   | NY606041J        | 2  |
| Nut for bottom bumpstop  | JLM9684          | 4  |
| Spring pan to lower wishbone bolt  | SH606061J        | 8  |
| Spring pan to shocker lwr bkt bolt   | BH606261J        | 4  |
| Spring pan to shocker lwr bkt bolt- nut                                    | NY606041J        | 4  |
| <b>47. Front suspension rebuild kit</b>                                    |                  |    |
| Includes all standard suspensions bushes with upper and lower ball joints. |                  |    |
| XJ6  | SU3012           | 1  |
| XJ12   | SU3014           | 1  |
| <b>48. Polybush polyurethane bush set</b>                                  |                  |    |
| Improve handling, longer life and simple to fit!                           |                  |    |
| XJ6  | SU3012PB         | 1  |
| XJ12   | SU3014PB         | 1  |





# Rear Suspension

Buy on-line at [www.sngbarratt.com](http://www.sngbarratt.com)



+44 (0) 1746 765432  
[sales.uk@sngbarratt.com](mailto:sales.uk@sngbarratt.com)



+1 603 622 1050  
[sales.usa@sngbarratt.com](mailto:sales.usa@sngbarratt.com)



+33 3 85 201 420  
[sngbarratt.france@wanadoo.fr](mailto:sngbarratt.france@wanadoo.fr)



+31 13 52 11 552  
[verkoop@sngbarratt.com](mailto:verkoop@sngbarratt.com)



# Rear Suspension

Buy on-line at [www.sngbarratt.com](http://www.sngbarratt.com)



## OUTER FULCRUM

|                                       |        |           |     |
|---------------------------------------|--------|-----------|-----|
| <b>1. Nut</b>                         |        | NY607041J | 4   |
| <b>2. Shim</b>                        | 0.003" | C166261   | A/R |
|                                       | 0.007" | C166262   | A/R |
| <b>3. Retaining washer</b>            |        | C20182    | 4   |
| <b>4. Oil seal retainer</b>           |        | C20179    | 4   |
| <b>5. Felt oil seal</b>               |        | C20178    | 4   |
| <b>6. Spacer</b>                      |        | C20180    | 4   |
| <b>7. Seal seating ring</b>           |        | C16628    | 4   |
| <b>8. Outer fulcrum shaft bearing</b> |        | C16029    | 4   |
| <b>9. Sleeve</b>                      |        | C166231   | 4   |
| <b>10. Shim</b>                       | 0.004" | C16626    | A/R |
|                                       | 0.007" | C166263   | A/R |

Items 1-10 are available as an outer fulcrum repair kit which contains enough parts for one side. C16029FK 2

|   |         |         |   |
|---|---------|---------|---|
| <b>11. Outer fulcrum shaft</b>              |         |         |   |
|   | to 1974 | C16624  | 2 |
|   | 1974 on | CBC9118 | 2 |
| <b>12. Bump stop</b>                        |         | C40158  | 2 |
| <b>13. Seating ring for inner oil seal</b>  |         | CCC6807 | 2 |
| <b>14. Inner hub oil seal</b>               |         | C15231± | 2 |
| <b>15. Hub bearing spacer various sizes</b> |         | CCC6806 | 2 |
| <b>16. Inner hub bearing</b>                |         | C15230± | 2 |
| <b>17. Water thrower</b>                    |         | C20813  | 2 |
| <b>18. Outer hub bearing</b>                |         | C19066± | 2 |
| <b>19. Outer hub seal</b>                   |         | C24789± | 2 |

± Included in rear wheel bearing kit JLM9732 2

|  |          |          |   |
|--|----------|----------|---|
| <b>20. Seal seating ring</b>           |          | C24791   | 2 |
| <b>21. Grease nipple</b>               |          | LN30041J | 2 |
| <b>22. Drive shaft universal joint</b> |          | JLM9639  | 4 |
| <b>23. Cradle mounting</b>             | standard | CAC3067  | 4 |
|  | uprated  | CAC3067P | 4 |

## INNER FULCRUM

|  |  |           |   |
|--|--|-----------|---|
| <b>24. Inner fulcrum shaft</b>         |  | C17008    | 2 |
| <b>25. Nut</b>                         |  | NY608041J | 4 |
| <b>26. Thrust washer</b>               |  | C17165    | 8 |
| <b>27. Oil seal retainer</b>           |  | C17936    | 8 |
| <b>28. Sealing ring</b>                |  | C17213    | 8 |
| <b>29. Thrust washer</b>               |  | C17166    | 8 |
| <b>30. Inner fulcrum shaft bearing</b> |  | C17167    | 8 |
| <b>31. Bearing tube</b>                |  | C17168/1* | 4 |

Items 26-32 are available as an inner fulcrum repair kit which contains enough parts for one side. C17167FK

|  |        |         |     |
|--|--------|---------|-----|
| <b>32. Fulcrum shaft distance tube</b> |        | C176631 | 2   |
| <b>33. Shim</b>                        | 0.005" | C28427  | A/R |
|  | 0.007" | C28428  | A/R |

## **34. Grease nipple**

|              |         |   |
|--------------|---------|---|
| Early models | C3044/1 | 4 |
| Later models | 234532J | 4 |

|  |        |   |
|--|--------|---|
| <b>35. Shock absorber mounting shaft</b> | C17013 | 2 |
|--|--------|---|

## **36. Shock absorber**

|      |         |   |
|------|---------|---|
| Std  | CAC9091 | 4 |
| Koni | 80-2094 | 4 |

**Standard shock absorber ready assembled** with collets, spring seat and coil spring CAC9091ASSY 4

|                        |          |   |
|------------------------|----------|---|
| <b>37. Spring seat</b> | C37272±± | 4 |
|------------------------|----------|---|

|                         |          |   |
|-------------------------|----------|---|
| <b>38. Split collet</b> | C37273±± | 4 |
|-------------------------|----------|---|

±± Fits original style of shock absorbers only

|                        |          |   |
|------------------------|----------|---|
| <b>39. Coil spring</b> | JLM11569 | 4 |
|------------------------|----------|---|

|                 |        |     |
|-----------------|--------|-----|
| <b>40. Shim</b> | C16621 | A/R |
|-----------------|--------|-----|

|                                    |        |   |
|------------------------------------|--------|---|
| <b>41. Radius arm safety strap</b> | C42220 | 2 |
|------------------------------------|--------|---|

|                                   |           |   |
|-----------------------------------|-----------|---|
| <b>42. Radius arm with bushes</b> |           |   |
| Non ABS                           | C29310    | 2 |
| ABS                               | C41831ABS | 2 |

## **43. Large radius arm bush**

|                     |             |   |
|---------------------|-------------|---|
| Standard            | MHC3170AA   | 2 |
| Polybush            | MHC3170U    | 2 |
| Polybush Racing Red | MHC3170/RED | 2 |

|                          |         |   |
|--------------------------|---------|---|
| <b>Bolt through bush</b> | CBC9362 | 2 |
|--------------------------|---------|---|

## **44. Small radius arm bush**

|                     |             |   |
|---------------------|-------------|---|
| Standard            | MHC3160AA   | 2 |
| Polybush            | MHC3160U    | 2 |
| Polybush Racing Red | MHC3160/RED | 2 |

|                          |        |   |
|--------------------------|--------|---|
| <b>Bolt through bush</b> | C25365 | 2 |
|--------------------------|--------|---|

## **45. Nuts & bolts**

|                                      |            |    |
|--------------------------------------|------------|----|
| Cradle mounting to body bolt         | SH605071J  | 8  |
| Cradle mounting to body bolt         | UFS131/25R | 8  |
| Nut for cradle mounting bolt & studs | NY605041J  | 20 |
| Shock absorber top mounting bolt     | BH607171   | 4  |
| Shock absorber top mounting bolt-nut | NY607041J  | 4  |
| Nut for shock absorber lwr mtg shaft | NY607041J  | 4  |
| Safety strap to body bolt            | SH605061J  | 2  |
| Brake disc retaining nut             | NV60741J   | 8  |

|   |        |     |
|---|--------|-----|
| <b>46. Stainless steel locking wire (per metre)</b> | C21126 | A/R |
|---|--------|-----|

|                         |        |   |
|-------------------------|--------|---|
| <b>47. Sealing plug</b> | C18124 | 2 |
|-------------------------|--------|---|

|                       |        |    |
|-----------------------|--------|----|
| <b>48. Wheel stud</b> | C13365 | 10 |
|-----------------------|--------|----|

|                   |        |   |
|-------------------|--------|---|
| <b>49. Washer</b> | C24923 | 2 |
|-------------------|--------|---|

|                |           |   |
|----------------|-----------|---|
| <b>50. Nut</b> | ND612041J | 2 |
|----------------|-----------|---|

|                       |          |   |
|-----------------------|----------|---|
| <b>51. Cotter pin</b> | L105/13U | 2 |
|-----------------------|----------|---|

|                             |        |   |
|-----------------------------|--------|---|
| <b>52. Half shaft cover</b> | C28844 | 2 |
|-----------------------------|--------|---|

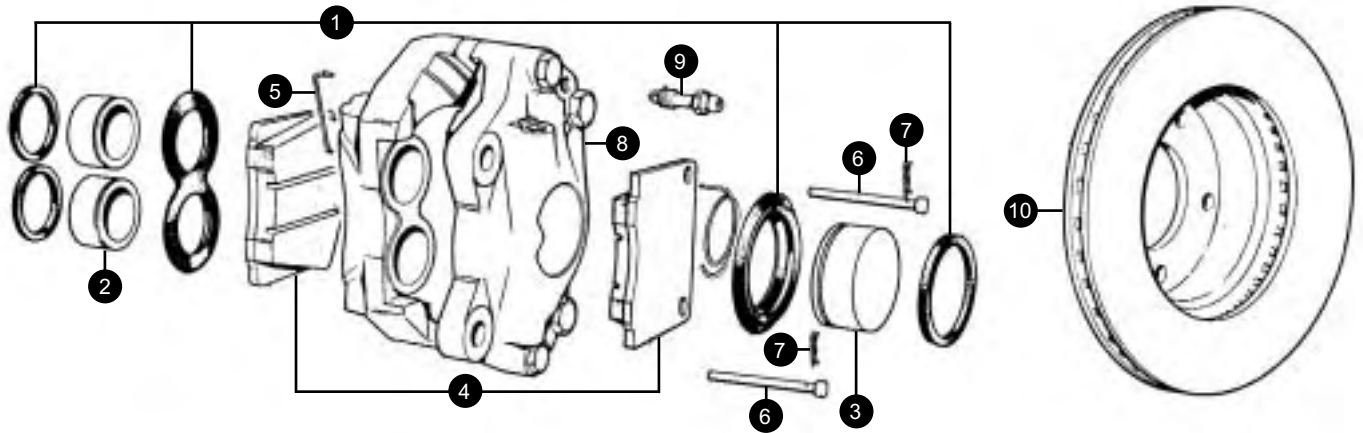
|                             |        |   |
|-----------------------------|--------|---|
| <b>53. Half shaft cover</b> | C23616 | 2 |
|-----------------------------|--------|---|



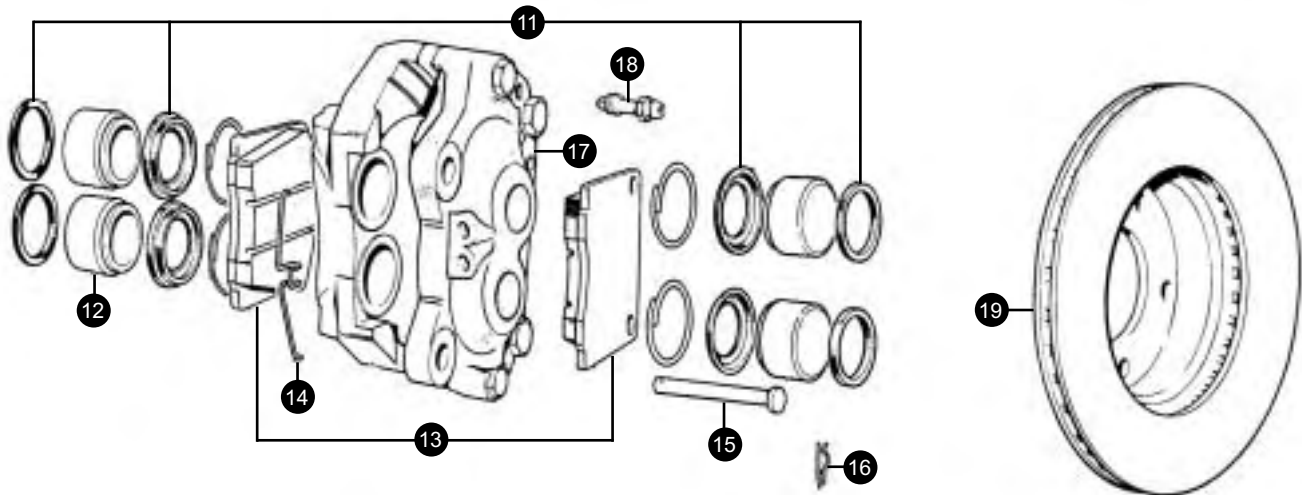
# Front & Rear Brakes

Buy on-line at [www.sngbarratt.com](http://www.sngbarratt.com)

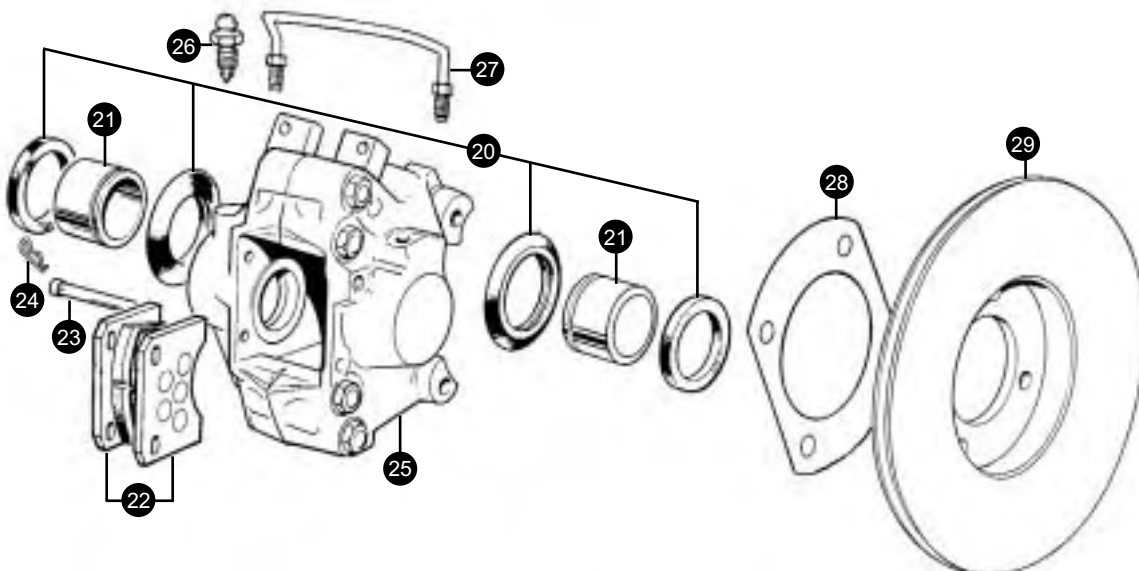
## XJ6/12 Series 1/Series 2 - Early 3 Piston Front Disc Brakes



## XJ6/12 Series 2 Late/Series 3 - 4 Piston Front Disc Brakes



## XJ6/12 S1/2/3 Rear Disc Brakes



+44 (0) 1746 765432  
[sales.uk@sngbarratt.com](mailto:sales.uk@sngbarratt.com)



+1 603 622 1050  
[sales.usa@sngbarratt.com](mailto:sales.usa@sngbarratt.com)



+33 3 85 201 420  
[sngbarratt.france@wanadoo.fr](mailto:sngbarratt.france@wanadoo.fr)



+31 13 52 11 552  
[verkoop@sngbarratt.com](mailto:verkoop@sngbarratt.com)



# Front & Rear Brakes

Buy on-line at [www.sngbarratt.com](http://www.sngbarratt.com)



## XJ6/12 Series 1/Series 2 - Early 3 Piston Front Disc Brakes

|  |          |   |  |
|--|----------|---|--|
| <b>1. Brake caliper seal set</b>       |          |   |  |
| standard                               | 11371    | 1 |  |
| stainless steel                        | 11371SS  | 1 |  |
| <b>2. Outer small brake piston</b>     |          |   |  |
| standard                               | 11365    | 4 |  |
| stainless steel                        | 11365SS  | 4 |  |
| <b>3. Inner large brake piston</b>     |          |   |  |
| standard                               | 605600*  | 2 |  |
| stainless steel                        | 605600SS | 2 |  |
| <b>4. Brake pad set</b>                |          |   |  |
| standard                               | JLM9515  | 1 |  |
| Kevlar                                 | JLM9515K | 1 |  |
| <b>5. Anti rattle clip</b>             |          |   |  |
|  | JLM1539* | 4 |  |
| <b>6. Brake pad retaining pin</b>      |          |   |  |
|  | 12798    | 4 |  |
| <b>7. Brake pad retaining pin clip</b> |          |   |  |
|  | 11369    | 4 |  |
| <b>8. Brake caliper assembly</b>       |          |   |  |
| RH                                     | 12797    | 1 |  |
| LH                                     | 12796    | 1 |  |
| <b>9. Bleed nipple</b>                 |          |   |  |
|  | 601959   | 2 |  |
| <b>10. Front brake disc</b>            |          |   |  |
| S1 solid                               | C30432   | 2 |  |
| S2/3 vented                            | C32764P  | 2 |  |

## XJ6/12 Series 2 Late/Series 3 - 4 Piston Front Disc Brakes

|   |           |   |  |
|---|-----------|---|--|
| <b>11. Brake caliper seal set</b>       |           |   |  |
|   | RTC1116   | 1 |  |
| <b>12. Brake piston</b>                 |           |   |  |
| standard                                | RTC1119   | 4 |  |
| stainless steel                         | RTC1119SS | 4 |  |
| <b>13. Brake pad set</b>                |           |   |  |
| standard                                | JLM1510   | 1 |  |
| Kevlar                                  | JLM1510K  | 1 |  |
| <b>14. Anti rattle clip</b>             |           |   |  |
|   | RTC1702   | 4 |  |
| <b>15. Brake pad retaining pin</b>      |           |   |  |
|   | 12798     | 4 |  |
| <b>16. Brake pad retaining pin clip</b> |           |   |  |
|   | 11369     | 4 |  |
| <b>17. Brake caliper assembly</b>       |           |   |  |
| RH                                      | AAU2102   | 1 |  |
| LH                                      | AAU2103   | 1 |  |
| <b>18. Bleed nipple</b>                 |           |   |  |
|   | JLM787    | 2 |  |
| <b>19. Brake disc</b>                   |           |   |  |
|   | C32764P   | 2 |  |

## XJ6/12 S1/2/3 Rear Disc Brakes

|                                   |           |   |  |
|-----------------------------------|-----------|---|--|
| <b>20. Brake caliper seal set</b> |           |   |  |
| S1/2 early                        | 11376     | 1 |  |
| S2 late/S3                        | AAU3380   | 1 |  |
| <b>21. Brake piston</b>           |           |   |  |
| S1/2 early standard               | 11372     | 4 |  |
| stainless steel                   | 11372SS   | 4 |  |
| <b>S2 late/3 standard</b>         |           |   |  |
|                                   | AAU3377   | 4 |  |
| stainless steel                   | AAU3377SS | 4 |  |

## **22. Brake pad set**

|          |          |   |
|----------|----------|---|
| standard | JLM9728  | 1 |
| Kevlar   | JLM9728K | 1 |

## **23. Brake pad retaining pin**

|       |   |
|-------|---|
| 11368 | 4 |
|-------|---|

## **24. Brake pad retaining pin clip**

|       |   |
|-------|---|
| 11369 | 4 |
|-------|---|

## **25. Brake caliper assembly**

|               |        |   |
|---------------|--------|---|
| S1/2 early RH | 11833R | 1 |
| LH            | 11832R | 1 |

## **S2 late/S3 RH**

|         |   |
|---------|---|
| AAU3378 | 1 |
|---------|---|

## **LH**

|         |   |
|---------|---|
| AAU3379 | 1 |
|---------|---|

## **26. Bleed nipple**

|         |   |
|---------|---|
| 556508J | 2 |
|---------|---|

## **27. Bridge pipe**

|         |   |
|---------|---|
| AEU1068 | 2 |
|---------|---|

## **28. Shim 0.020"**

|        |     |
|--------|-----|
| C33440 | A/R |
|--------|-----|

## **0.005"**

|         |     |
|---------|-----|
| C334401 | A/R |
|---------|-----|

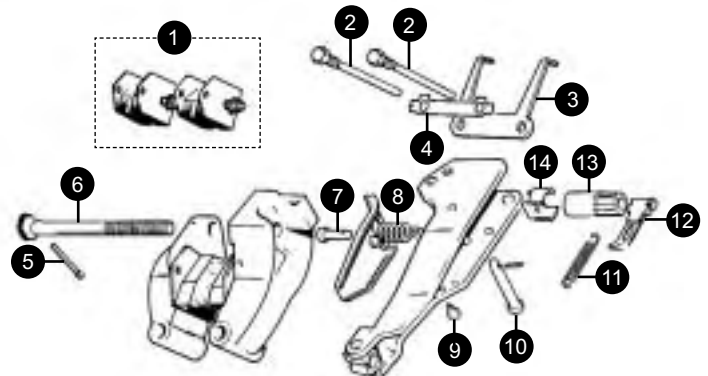
## **0.010"**

|         |     |
|---------|-----|
| C334402 | A/R |
|---------|-----|

## **29. Brake disc**

|        |   |
|--------|---|
| C26779 | 2 |
|--------|---|

## Handbrake Caliper



## **1. Handbrake pad set**

|          |          |   |
|----------|----------|---|
| Standard | JLM9518* | 1 |
| Kevlar   | JLM9518K | 1 |

## **2. Handbrake attachment bolt**

|      |   |
|------|---|
| 8016 | 4 |
|------|---|

## **3. Retraction fork**

|      |   |
|------|---|
| 9750 | 2 |
|------|---|

## **4. Retraction fork locktab**

|      |   |
|------|---|
| 9751 | 2 |
|------|---|

## **5. Cotter pin**

|      |   |
|------|---|
| 3752 | 2 |
|------|---|

## **6. Adjustment bolt**

|      |   |
|------|---|
| 8845 | 2 |
|------|---|

## **7. Anchor pin**

|      |   |
|------|---|
| 8938 | 2 |
|------|---|

## **8. Return spring**

|      |   |
|------|---|
| 8940 | 2 |
|------|---|

## **9. Anchor pin**

|      |   |
|------|---|
| 8938 | 2 |
|------|---|

## **10. Hinge pin**

|      |   |
|------|---|
| 8841 | 2 |
|------|---|

## **11. Pawl tension spring**

|      |   |
|------|---|
| 8837 | 2 |
|------|---|

## **12. Pawl assembly**

|      |   |
|------|---|
| 8836 | 2 |
|------|---|

## **13. Handbrake ratchet nut**

|      |   |
|------|---|
| 8980 | 2 |
|------|---|

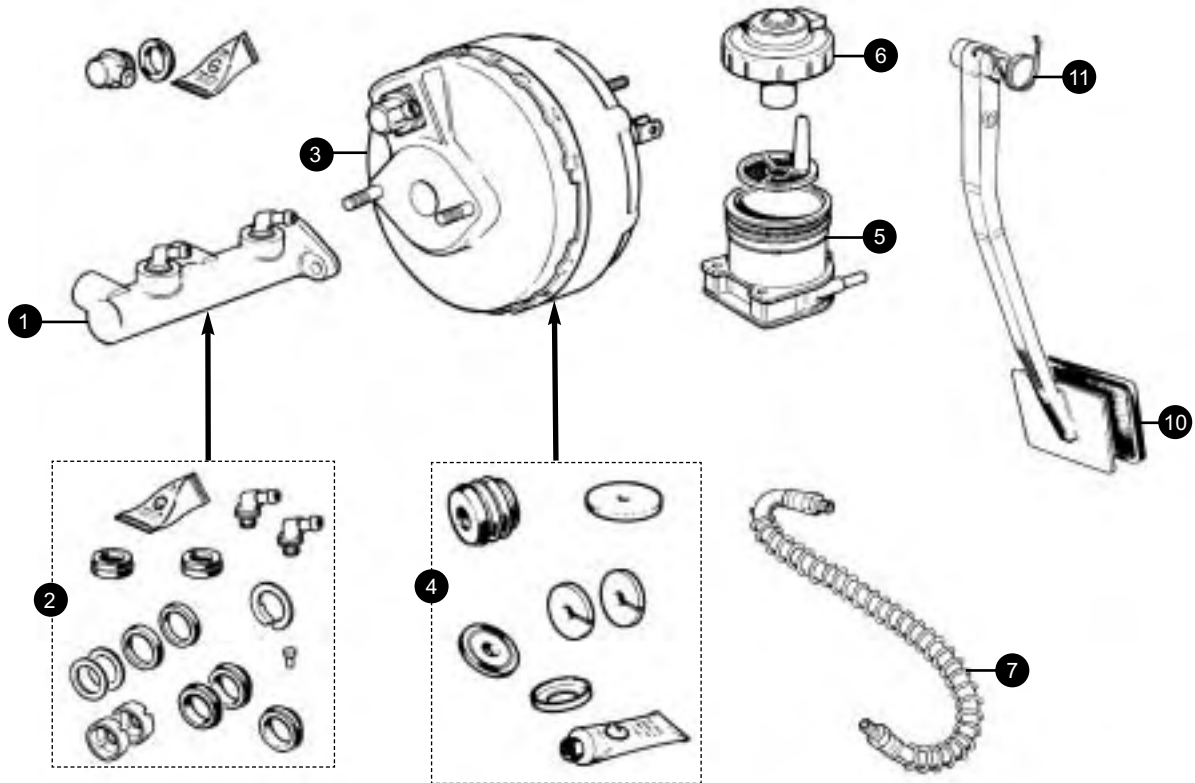
## **14. Ratchet nut friction spring**

|      |   |
|------|---|
| 8840 | 2 |
|------|---|

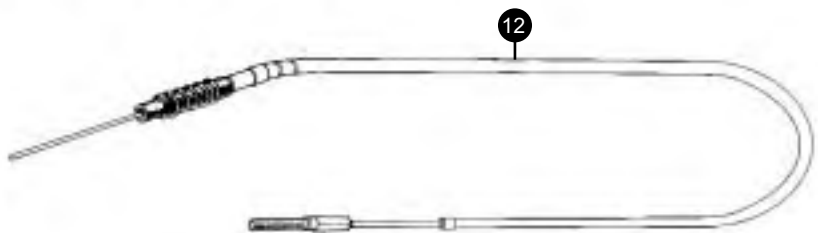
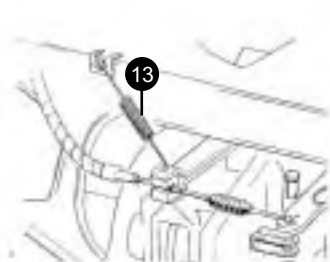


# Braking System Components

Buy on-line at [www.sngbarratt.com](http://www.sngbarratt.com)



**Please turn to page 83  
for Anti-lock Braking  
System parts**



+44 (0) 1746 765432  
[sales.uk@sngbarratt.com](mailto:sales.uk@sngbarratt.com)



+1 603 622 1050  
[sales.usa@sngbarratt.com](mailto:sales.usa@sngbarratt.com)



+33 3 85 201 420  
[sngbarratt.france@wanadoo.fr](mailto:sngbarratt.france@wanadoo.fr)



+31 13 52 11 552  
[verkoop@sngbarratt.com](mailto:verkoop@sngbarratt.com)



# Braking System Components

Buy on-line at [www.sngbarratt.com](http://www.sngbarratt.com)

## 1. Brake master cylinder

|                              |     |         |   |
|------------------------------|-----|---------|---|
| S1/S2 to 1976                |     |         |   |
|                              | RHD | 11964   | 1 |
|                              | LHD | 11965   | 1 |
| S2/3 1976 on (to VIN 482169) |     |         |   |
|                              | RHD | CAC1228 | 1 |
|                              | LHD | CAC1229 | 1 |
| S3 XJ12 (VIN 482170 on)      |     |         |   |
|                              | RHD | CBC9212 | 1 |
|                              | LHD | CBC9213 | 1 |

## 2. Brake master cylinder repair kit

|                              |  |          |   |
|------------------------------|--|----------|---|
| S1/2 to 1976                 |  |          |   |
|                              |  | 11968    | 1 |
| S2/3 1976 on (to VIN 482169) |  |          |   |
|                              |  | AAU6838J | 1 |
| XJ12 S3 (VIN 482170 on)      |  |          |   |
|                              |  | JLM11729 | 1 |

## 3. Brake servo

|           |              |          |   |
|-----------|--------------|----------|---|
| S1        |              |          |   |
| Early     | RHD          | 12898    | 1 |
|           | LHD          | 11963    | 1 |
| S1 Late   | RHD          | JS584    | 1 |
|           | LHD          | JS583    | 1 |
| S2 Early  | RHD          | JS584    | 1 |
|           | LHD          | JS583    | 1 |
| S2 Middle | RHD          | RTC1298  | 1 |
|           | LHD          | RTC1127  | 1 |
| S2 Late   | RHD          | CAC1226  | 1 |
|           | LHD          | CAC1227  | 1 |
| S3        | RHD non ABS  | CAC1226  | 1 |
|           | LHD non ABS  | CAC1227  | 1 |
| S3 XJ12   | RHD with ABS | JLM10734 | 1 |
|           | LHD with ABS | JLM10735 | 1 |

## 4. Brake servo repair kit

|              |  |       |   |
|--------------|--|-------|---|
| All XJ6/XJ12 |  | 12446 | 1 |
|--------------|--|-------|---|

## 5. Brake fluid reservoir

|                  |  |         |   |
|------------------|--|---------|---|
| S1 early         |  | C29190  | 1 |
| S1 late/S2 early |  | CAC4578 | 1 |
| S2 late/S3       |  | CAC3217 | 1 |

## 6. Brake fluid reservoir cap

|                  |  |         |   |
|------------------|--|---------|---|
| S1 early         |  | C29947  | 1 |
| S1 late/S2 early |  | C45055  | 1 |
| S2 late/S3       |  | CAC3218 | 1 |

## 7. Standard rubber flexible brake hoses

### Front

|                                |         |   |
|--------------------------------|---------|---|
| S1/2 to 1976 (imperial thread) | JLM9702 | 2 |
| S2/3 1976 on (metric thread)   | CBC1390 | 2 |

### Rear

|                                |          |   |
|--------------------------------|----------|---|
| S1/2 to 1976 (imperial thread) | C30752/2 | 1 |
| S2/3 1976 on (metric thread)   | CBC1392  | 1 |

## 8. Goodridge stainless steel braided brake hoses

If you are planning to upgrade your brake system, it may be a good idea to change the original rubber brake hoses at the same time, as the traditional brake hoses are often the weak point in any braking system tending to swell slightly when the brake pedal is pushed. The result of which is wasted hydraulic pressure between the brake master cylinder and the caliper. Because the stainless steel brake hoses don't expand when the pedal is pushed, all the hydraulic pressure reaches the caliper, obviously resulting in greater braking efficiency with less pedal effort for the driver.

### Front

|                                |           |   |
|--------------------------------|-----------|---|
| Series 1 & 2 (imperial thread) | JLM9702SS | 2 |
| Series 2 & 3 (metric thread)   | CBC1390SS | 2 |

### Rear

|                                |            |   |
|--------------------------------|------------|---|
| Series 1 & 2 (imperial thread) | C30752/2SS | 2 |
| Series 2 & 3 (metric thread)   | CBC1392SS  | 2 |

### Please Note

For safety reasons the above hoses will only be sold and should only be fitted in a car set.

## 9. Cunifer brake pipe set

Full set with each pipe, cut to length, fitted with unions and it's position on the car clearly marked.

### RHD

|      |               |        |   |
|------|---------------|--------|---|
| S1/2 | to March 1975 | GB5512 | 1 |
|      | April 1975 on | GB5507 | 1 |
| S3   |               | GB5530 | 1 |

### LHD

|      |               |        |   |
|------|---------------|--------|---|
| S1/2 | to March 1975 | GL5512 | 1 |
|      | April 1975 on | GL5507 | 1 |
| S3   |               | GL5530 | 1 |

## 10. Brake pedal rubber

|        |                  |        |   |
|--------|------------------|--------|---|
| Manual | Jaguar           | C8969  | 2 |
|        | Daimler          | C27521 | 2 |
| Auto   | Jaguar & Daimler | C21515 | 1 |

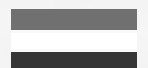
|                               |         |   |
|-------------------------------|---------|---|
| 11. Brake pedal return spring | CAC4188 | 1 |
|-------------------------------|---------|---|

## 12. Handbrake cable

|            |     |         |   |
|------------|-----|---------|---|
| S1/2 early | SWB | C31717  | 1 |
|            | LWB | C31782  | 1 |
| S2 late    | RHD | C450116 | 1 |
|            | LHD | C450114 | 1 |

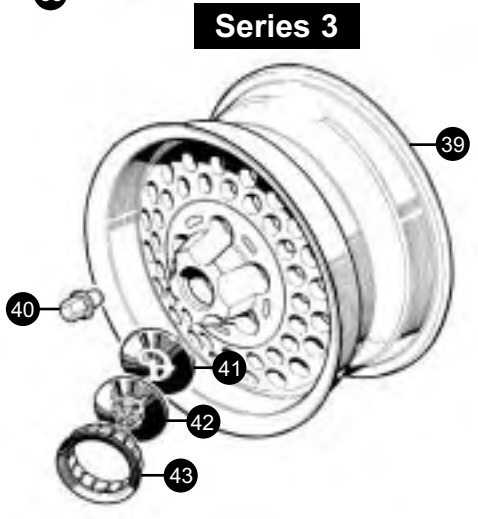
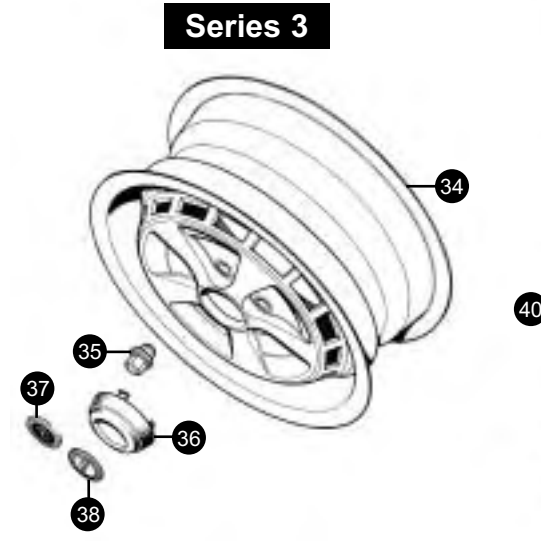
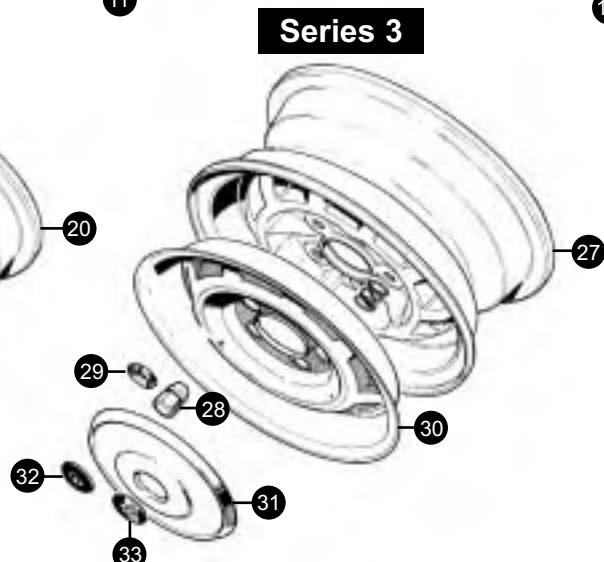
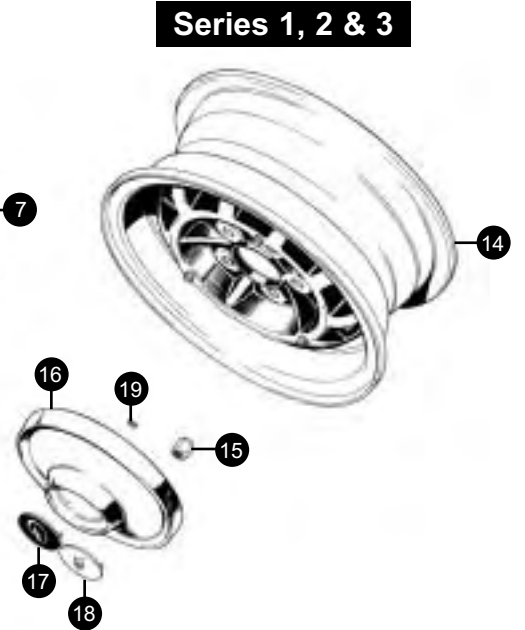
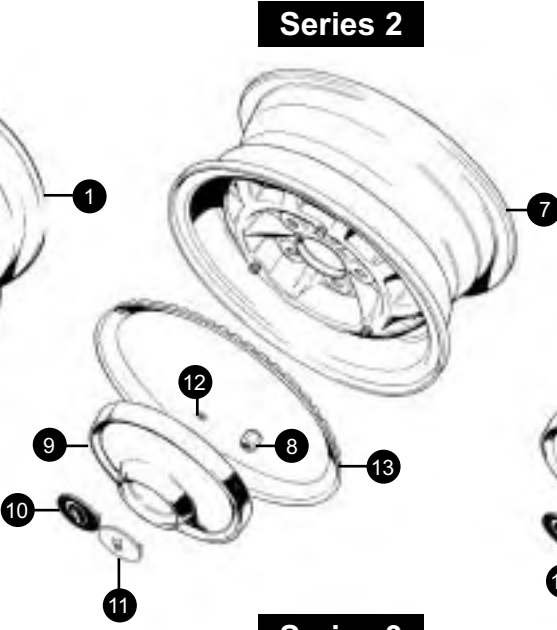
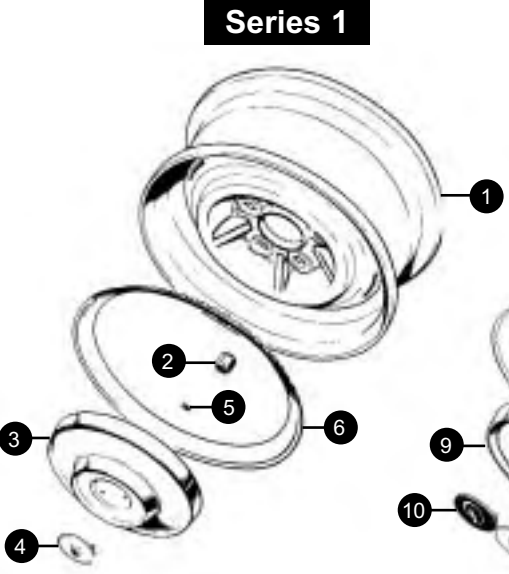
|    |  |         |   |
|----|--|---------|---|
| S3 |  | C450114 | 1 |
|----|--|---------|---|

|                               |        |   |
|-------------------------------|--------|---|
| 13. Handbrake pull off spring | C22690 | 2 |
|-------------------------------|--------|---|



# Roadwheels

Buy on-line at [www.sngbarratt.com](http://www.sngbarratt.com)



+44 (0) 1746 765432  
[sales.uk@sngbarratt.com](mailto:sales.uk@sngbarratt.com)



+1 603 622 1050  
[sales.usa@sngbarratt.com](mailto:sales.usa@sngbarratt.com)



+33 3 85 201 420  
[sngbarratt.france@wanadoo.fr](mailto:sngbarratt.france@wanadoo.fr)



+31 13 52 11 552  
[verkoop@sngbarratt.com](mailto:verkoop@sngbarratt.com)





# Roadwheels

Buy on-line at [www.sngbarratt.com](http://www.sngbarratt.com)

## Series 1 Steel Wheel

|                      |        |    |
|----------------------|--------|----|
| 1. Road wheel        | C27841 | 5  |
| 2. Wheel nut         | C3041  | 20 |
| 3. Hubcap            | C27134 | 4  |
| 4. Hubcap badge      | C27140 | 4  |
| 5. Hubcap badge clip | C22583 | 8  |
| 6. Trim ring         | C21983 | 4  |

## Series 2 Steel Wheel

|                                  |        |    |
|----------------------------------|--------|----|
| 7. Road wheel                    | C34906 | 5  |
| 8. Wheel nut                     | C3041  | 20 |
| 9. Hubcap                        | C30283 | 4  |
| 2T 60789/2J52432 on (Japan only) | C46136 | 4  |

|                          |        |   |
|--------------------------|--------|---|
| 10. Daimler hubcap badge | C21256 | 4 |
| 11. Jaguar hubcap badge  | C27140 | 4 |
| 12. Hubcap badge clip    | C22583 | 8 |
| 13. Trim ring            | C21983 | 4 |

## Series 1, 2 & 3 Black & Chrome Steel Wheel

|                |         |    |
|----------------|---------|----|
| 14. Road wheel | C33763  | 5  |
| 15. Wheel nut  |         |    |
| S1/2/3 early   | C3041   | 20 |
| S3 late        | CAC2764 | 20 |

|                                  |        |   |
|----------------------------------|--------|---|
| 16. Hubcap                       |        |   |
| S1/2                             | C30283 | 4 |
| 2T 60789/2J52432 on (Japan only) | C46136 | 4 |

|    |        |   |
|----|--------|---|
| S3 | C46136 | 4 |
|----|--------|---|

|                          |        |   |
|--------------------------|--------|---|
| 17. Daimler hubcap badge | C21256 | 4 |
| 18. Jaguar hubcap badge  | C27140 | 4 |
| 19. Hubcap badge clip    | C22583 | 8 |

## Series 3 Steel Wheel

|               |         |    |
|---------------|---------|----|
| 20. Roadwheel | CAC2502 | 5  |
| 21. Wheel nut | CAC2764 | 20 |

|                    |          |    |
|--------------------|----------|----|
| 22. Plastic washer | CRC1428  | 20 |
| 23. Wheel trim     | CAC3482  | 4  |
| 24. Spring         | CRC1038J | 20 |
| 25. Daimler badge  | C45508   | 4  |
| 26. Jaguar badge   | C42191   | 4  |

## Series 3 Steel Wheel

|                    |         |    |
|--------------------|---------|----|
| 27. Roadwheel      | CAC2502 | 5  |
| 28. Wheel nut      | CAC2764 | 20 |
| 29. Plastic washer | CRC1428 | 20 |
| 30. Wheel trim     | CAC5960 | 4  |
| 31. Hubcap         | CAC4882 | 4  |
| 32. Daimler badge  | C45508  | 4  |
| 33. Jaguar badge   | C42191  | 4  |

## Series 3 Alloy Wheel

|                      |           |    |
|----------------------|-----------|----|
| 34. Roadwheel        | CAC3914/1 | 5  |
| 35. Wheel nut        | CCC7028   | 20 |
| 36. Wheel centre cap | CAC9820   | 4  |
| 37. Daimler badge    | C45508    | 4  |
| 38. Jaguar badge     | C42191    | 4  |

## Series 3 "Pepperpot" Alloy Wheel

|                           |         |    |
|---------------------------|---------|----|
| 39. Roadwheel             | CAC5667 | 5  |
| 40. Wheel nut             | CCC7028 | 20 |
| 41. Daimler badge         | C45508  | 4  |
| 42. Jaguar badge          | C42191  | 4  |
| 43. Badge insert retainer | CAC6442 | 4  |

## Dayton Bolt-on Wire Wheel

These bolt-on wire wheels have the classic styling and quality of authentic wire wheels with the convenience of direct bolt installation. Dayton bolt-on wire wheels are manufactured to exacting tolerances and their patented forged steel center hubs are custom drilled. The patented construction also features stainless steel spokes and four-layer nickel-chrome plating.

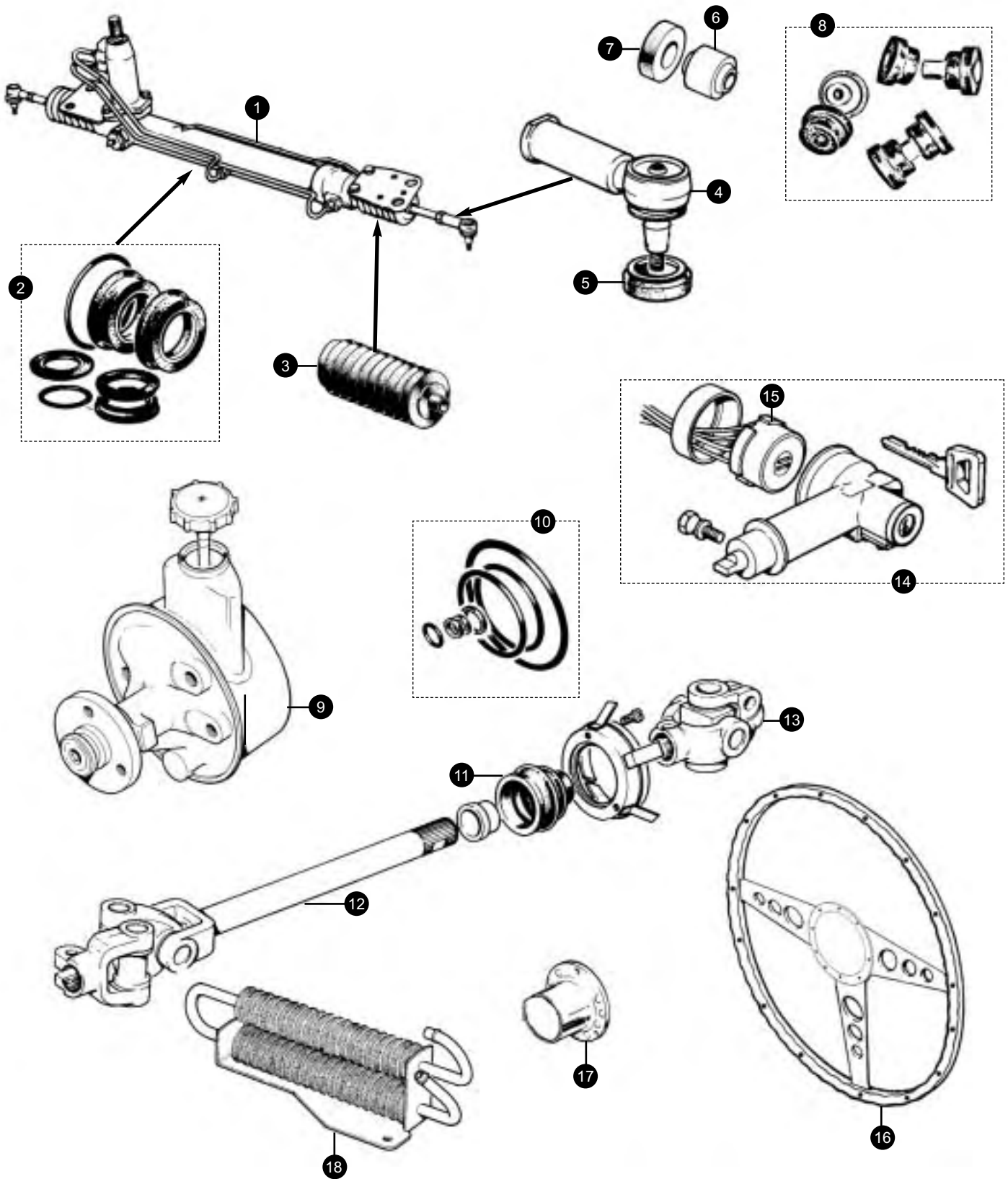
|          |         |   |
|----------|---------|---|
| 15" x 7J | SBS9243 | 4 |
|----------|---------|---|





# Steering

Buy on-line at [www.sngbarratt.com](http://www.sngbarratt.com)



+44 (0) 1746 765432  
[sales.uk@sngbarratt.com](mailto:sales.uk@sngbarratt.com)



+1 603 622 1050  
[sales.usa@sngbarratt.com](mailto:sales.usa@sngbarratt.com)



+33 3 85 201 420  
[sngbarratt.france@wanadoo.fr](mailto:sngbarratt.france@wanadoo.fr)



+31 13 52 11 552  
[verkoop@sngbarratt.com](mailto:verkoop@sngbarratt.com)



# Steering

Buy on-line at [www.sngbarratt.com](http://www.sngbarratt.com)



**1. Reconditioned steering rack assembly**

RHD

|            |                      |         |   |
|------------|----------------------|---------|---|
| S1/2 early | 16cm tower           | C39262R | 1 |
| S2 late/S3 | 11cm tower (UK spec) | CBC1715 | 1 |

LHD

|            |            |         |   |
|------------|------------|---------|---|
| S1/2 early | 16cm tower | C39263R | 1 |
| S2 late/S3 | 11cm tower | CBC1714 | 1 |

**2. Steering rack seal kit**

|    |        |          |   |
|----|--------|----------|---|
| S1 | early  | 11983    | 1 |
|    | late   | 12715    | 1 |
| S2 | early  | JS726    | 1 |
|    | middle | AAU1503  | 1 |
|    | late   | RTC2393  | 1 |
| S3 | early  | AAU1503  | 1 |
|    | late   | JLM10834 | 1 |

**3. Steering rack bellows**

|      |        |   |
|------|--------|---|
| S1/2 | C33417 | 2 |
| S3   | JLM347 | 2 |

**4. Track rod end**

|      |                 |         |   |
|------|-----------------|---------|---|
| S1/2 | Imperial thread | JLM9726 | 2 |
| S2/3 | Metric thread   | JLM1098 | 2 |

**5. Track rod end gaiter** EAW2270J 2

**6. Standard steering rack mounting bush**

|      |          |   |
|------|----------|---|
| XJ6  | CAC1634± | 3 |
| XJ12 | CAC1635± | 3 |

**7. Steering rack mounting washer** C29406 6

**8. Heavy duty steering rack mounting bush set**  
 All models CAC1635K 1  
 CAC1635K is a longer lasting 3 piece bush kit made from polyurethane that will transform your steering and last much longer than normal bushes. These are packed in car sets and have the mounting washers already moulded into them.

**9. Power steering pump**

|           |         |         |   |
|-----------|---------|---------|---|
| XJ6/12 S1 | C28457  | 1       |   |
| XJ6/12 S2 | early   | C28457  | 1 |
|           | late    | EAC3167 | 1 |
| XJ6/12 S3 | EAC3167 | 1       |   |

**10. Power steering pump seal set** 518564J 1

**11. Steering column gaiter** C42001 1

**12. Lower steering column & universal joint assembly**

|            |           |           |   |
|------------|-----------|-----------|---|
| S1/2 early | CAC3059/1 | 1         |   |
| S2 later   | CAC3059/2 | 1         |   |
| S3         | RHD       | HNB9500AA | 1 |
|            | LHD       | HNB9501AA | 1 |

**13. Lower steering joint assembly** CAC3470 1

**14. Steering column lock & switch assembly**

|          |         |   |
|----------|---------|---|
| S1 early | C37102  | 1 |
| S1 late  | DAC1419 | 1 |
| S2       | DAC1419 | 1 |
| S3       | DAC4153 | 1 |

**15. Ignition switch**

|          |         |   |
|----------|---------|---|
| S1 early | C35845  | 1 |
| S1 late  | DAC1422 | 1 |
| S2       | DAC1422 | 1 |
| S3       | DAC1607 | 1 |

**16. Motolita woodrim steering wheel**  
 Our best selling wheel simply looks great on any XJ. Simply select the diameter that suits you best from 13, 14 or 15 inches and add the boss kit listed below.

|     |            |   |
|-----|------------|---|
| 13" | MLW1115-13 | 1 |
| 14" | MLW1115-14 | 1 |
| 15" | MLW1115-15 | 1 |

**17. Motolita steering wheel boss (includes hornpush)**

|                    |      |   |
|--------------------|------|---|
| All models to 1973 | B33H | 1 |
| 1973-86            | B54H | 1 |
| 86 on              | B54A | 1 |

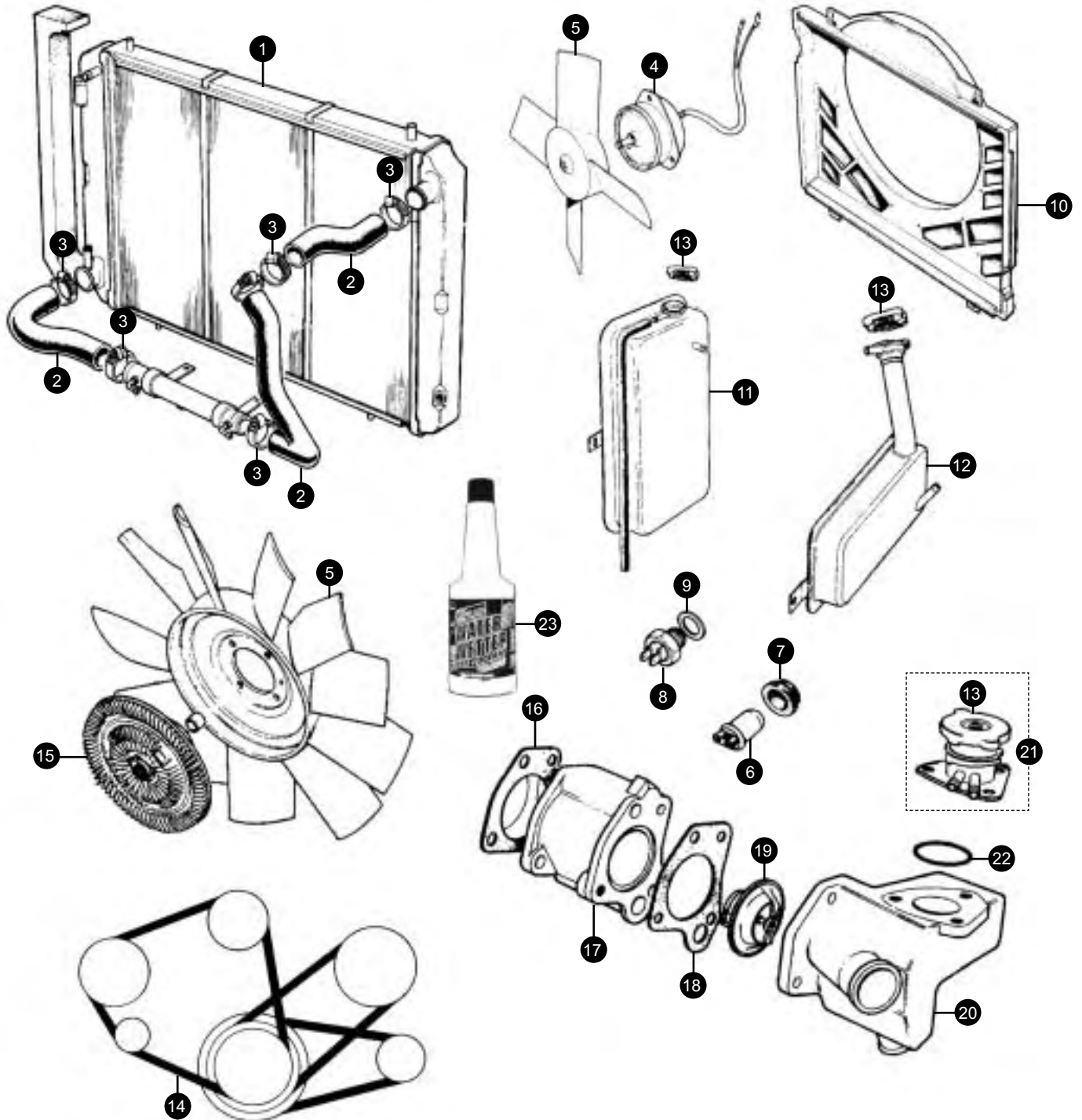
**18. Power steering oil cooler**  
 Late XJ12 only C43719 1



**JAGUAR**

# Cooling System

Buy on-line at [www.sngbarratt.com](http://www.sngbarratt.com)



+44 (0) 1746 765432  
[sales.uk@sngbarratt.com](mailto:sales.uk@sngbarratt.com)



+1 603 622 1050  
[sales.usa@sngbarratt.com](mailto:sales.usa@sngbarratt.com)



+33 3 85 201 420  
[sngbarratt.france@wanadoo.fr](mailto:sngbarratt.france@wanadoo.fr)



+31 13 52 11 552  
[verkoop@sngbarratt.com](mailto:verkoop@sngbarratt.com)



# Cooling System

Buy on-line at [www.sngbarratt.com](http://www.sngbarratt.com)

## 1. Radiator assembly\*

|                       |           |   |
|-----------------------|-----------|---|
| XJ6 S1/2 to 1978      | C44382    | 1 |
| XJ6 S2/3 1979 to 1982 | CAC3118/2 | 1 |
| XJ6 S3 1982 on        | CAC50641  | 1 |
|                       |           |   |
| XJ12 S1               | C36418    | 1 |
| XJ12 S2               | C44096    | 1 |
| XJ12 S3               | MHE4190BA | 1 |

\*This listing is intended as a price guide only. Please provide your chassis number so that we can determine the exact radiator for your car.

## 2. Cotton reinforced hose kits

|                 |        |   |
|-----------------|--------|---|
| XJ6 S1 2.8      | HK022R | 1 |
| XJ6 S1 4.2      | HK023R | 1 |
| XJ6 S2          | HK024R | 1 |
| XJ6 S3          | HK025R | 1 |
| XJ12 S1         | HK026R | 1 |
| XJ12 S2 early   | HK027R | 1 |
| XJ12 S2 late/S3 | HK028R | 1 |

## 3. Hose clips

|               |         |     |
|---------------|---------|-----|
| 3/8"-1/2"     | CS10000 | A/R |
| 1/2"-5/8"     | CS10M00 | A/R |
| 1/2-3/4"      | CS1000  | A/R |
| 5/8"-7/8"     | CS100   | A/R |
| 3/4"-1"       | CS100X  | A/R |
| 7/8"-1 1/8"   | CS101A  | A/R |
| 1"-1 3/8"     | CS101   | A/R |
| 1 1/8"-1 5/8" | CS101X  | A/R |
| 1 1/4"-1 7/8" | CS102A  | A/R |
| 1 1/2"-2 1/8" | CS102   | A/R |
| 1 3/4"-2 3/8" | CS102X  | A/R |
| 2-2 3/4"      | CS103   | A/R |

## 4. Radiator cooling fan motor

|      |        |   |
|------|--------|---|
| XJ12 | C38009 | 2 |
|------|--------|---|

## 5. Radiator cooling fan

|         |  |         |   |
|---------|--|---------|---|
| XJ6 S1  | non aircon   | C25641  | 1 |
|         | aircon   | C28176  | 1 |
| XJ6 S2  | to 7L88914 non AC  | C25641  | 1 |
|         | to 7L85098 AC  | C28176  | 1 |
|         | 8A1001on 3.4<br>7L88915 on 4.2 non AC<br>7L85099 on 4.2 AC | C39831  | 1 |
| XJ6 S3  | metal type   | C39831  | 1 |
|         | plastic type   | EBC4552 | 1 |
| XJ12 S1 | mechanical   | C29882  | 1 |
|         | electrical   | C37880  | 2 |
| XJ12 S2 | mechanical to 7P28177                                      | C29882  | 1 |
|         | mechanical 7P28178 on                                      | C39831  | 1 |
|         | electrical   | C37880  | 2 |
| XJ12 S3 | mechanical   | EBC4553 | 1 |
|         | electrical   | C37880  | 2 |

|                             |              |         |   |
|-----------------------------|--------------|---------|---|
| <b>6. Fan thermo switch</b> | S1/2 push in | EAC1322 | 1 |
| <b>7. Switch seal</b>       | S1/2 push in | C37990  | 1 |
| <b>8. Fan thermo switch</b> | S3 screw in  | EAC2510 | 1 |
| <b>9. Switch washer</b>     | S3 screw in  | C457593 | 1 |

## 10. Radiator fan cowl

|                            |        |   |
|----------------------------|--------|---|
| XJ6 S1/2 early & S3 non AC | C33957 | 1 |
|                            | C29963 | 1 |

|                |        |   |
|----------------|--------|---|
| XJ6 S2 late AC | C44635 | 1 |
|                | C44641 | 1 |

|                                 |         |   |
|---------------------------------|---------|---|
| XJ6 S2 early with electric fans | CAC1002 | 2 |
|---------------------------------|---------|---|

|                                |         |   |
|--------------------------------|---------|---|
| XJ6 S2 late with electric fans | CAC2050 | 1 |
|--------------------------------|---------|---|

|                 |         |   |
|-----------------|---------|---|
| XJ6 S3 early AC | C44635  | 1 |
|                 | CAC1574 | 1 |

|                |         |   |
|----------------|---------|---|
| XJ6 S3 late AC | CAC4266 | 1 |
|----------------|---------|---|

|                     |        |   |
|---------------------|--------|---|
| XJ12 S1/2 & 3 early | C37867 | 1 |
|                     | C45268 | 1 |

|              |         |   |
|--------------|---------|---|
| XJ12 S3 late | CCC6955 | 1 |
|              | EAC3708 | 1 |

## 11. Radiator header/expansion tank

|                           |         |   |
|---------------------------|---------|---|
| XJ6 S1 early upright type | C28868* | 1 |
|---------------------------|---------|---|

## 12. Radiator header/expansion tank

|                             |          |   |
|-----------------------------|----------|---|
| XJ6 S2/3 to 1985 metal type | CAC4338* | 1 |
| XJ6 S3 1985 on plastic type | CAC3636  | 1 |

|                 |        |   |
|-----------------|--------|---|
| XJ12 S1/2 early | C40108 | 1 |
|-----------------|--------|---|

|                                    |         |   |
|------------------------------------|---------|---|
| XJ12 S2 late/XJ12 S3 to VIN 326519 | CAC4339 | 1 |
|------------------------------------|---------|---|

|                               |         |   |
|-------------------------------|---------|---|
| XJ12 S3 VIN 326520 to Aug '85 | CAC4567 | 1 |
|-------------------------------|---------|---|

|                       |         |   |
|-----------------------|---------|---|
| XJ12 S3 August '85 on | CAC8612 | 1 |
|-----------------------|---------|---|

## 13. Radiator/radiator header tank cap

|                |           |         |   |
|----------------|-----------|---------|---|
| XJ6 S1/2 early | engine    | EAC3424 | 1 |
|                | tank 13lb | C23860  | 1 |

|           |           |         |   |
|-----------|-----------|---------|---|
| XJ12 S1/2 | engine    | EAC3424 | 1 |
|           | tank 13lb | C23860  | 1 |

|                         |           |         |   |
|-------------------------|-----------|---------|---|
| XJ6/12 S2 late/S3 early | engine    | EAC3424 | 1 |
|                         | tank 15lb | JLM9652 | 1 |

|                |           |         |   |
|----------------|-----------|---------|---|
| XJ6/12 S3 late | engine    | EAC3424 | 1 |
|                | tank 16lb | CCC6707 | 1 |

## 14. Drive belts

|            |                   |          |   |
|------------|-------------------|----------|---|
| XJ6 S1 2.8 | waterpump         | C27844/1 | 1 |
|            | alternator        | EAC1616  | 1 |
|            | fanbelt (non pas) | C20887   | 1 |

|                                  |                       |         |   |
|----------------------------------|-----------------------|---------|---|
| XJ6 S1 4.2/XJ6 S2 3.4/4.2/S3 3.4 | waterpump & pas       | EAC1348 | 1 |
|                                  | air con               | EAC1349 | 1 |
|                                  | alternator & air pump | EAC1324 | 1 |



# Cooling System

Buy on-line at [www.sngbarratt.com](http://www.sngbarratt.com)

|                                     |  |   |                       |
|-------------------------------------|--|---|-----------------------|
| XJ6 S3 4.2                          | waterpump & pas<br>air con<br>alternator early<br>alternator late                | EAC1348<br>EAC1349<br>EAC1616<br>EAC3764          | 1<br>1<br>1<br>1      |
| XJ12                                | waterpump & pas<br>alternator<br>fan<br>air con carburettor<br>air con injection | EAC1323<br>EAC1616<br>C43070<br>C36123<br>EAC1605 | 1<br>1<br>1<br>1<br>1 |
| <b>15. XJ6 viscous fan coupling</b> |  |   |                       |
| XJ6 single bolt fixing              |  | C45015  | 1                     |
| XJ6 four bolt fixing                |  | NBC2215AA   | 1                     |
| <b>16. XJ6 thermostat gasket</b>    |  |   |                       |
| 3 stud hole type                    |  | EAC7044   | 1                     |
| 4 stud hole type                    |  | EAC7046   | 1                     |
| <b>17. XJ6 thermostat housing*</b>  |  |   |                       |
| S1 early 2.8                        |  | C28370  | 1                     |
| S1 late/2 2.8                       |  | C30834  | 1                     |
| S1/2 early 3.4/4.2                  |  | C28370  | 1                     |
| S2 late 4.2                         |  | EAC1995   | 1                     |
| S3 injection                        |  | EAC1258   | 1                     |

|                                    |         |   |
|------------------------------------|---------|---|
| <b>18. XJ6 outlet elbow gasket</b> | EAC7045 | 1 |
| <b>19. Thermostat</b> 82 degree    | EBC3576 | 1 |
| 88 degree                          | EBC3577 | 1 |

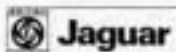
|                                |        |   |
|--------------------------------|--------|---|
| <b>20. Water outlet elbow*</b> |        |   |
| S1 early 2.8                   | C28373 | 1 |
| S1 late/2 2.8                  | C30836 | 1 |
| S2/3 early 3.4/4.2             | C44956 | 1 |
| S3 late                        | C30839 | 1 |

\* These listings are intended as a price guide only. Please provide your chassis/engine numbers so that we can determine the exact part for your car.

|   |         |   |
|---|---------|---|
| <b>21. Filler neck assembly</b>             | EAC3153 | 1 |
| <b>22. Filler neck assembly seal/gasket</b> |         |   |
| Gasket type                                 | C31022  | 1 |
| Seal type                                   | EAC2009 | 1 |

|   |        |   |
|---|--------|---|
| <b>23. Water Wetter miracle coolant</b> | CH2077 | 1 |
|---|--------|---|

Simply add to the coolant on your Jaguar and it can reduce the running temperature of your cooling system by up to 20 degrees Fahrenheit.



BRITISH LEYLAND UK LIMITED  
COVENTRY-ENGLAND



+44 (0) 1746 765432  
[sales.uk@sngbarratt.com](mailto:sales.uk@sngbarratt.com)



+1 603 622 1050  
[sales.usa@sngbarratt.com](mailto:sales.usa@sngbarratt.com)



+33 3 85 201 420  
[sngbarratt.france@wanadoo.fr](mailto:sngbarratt.france@wanadoo.fr)



+31 13 52 11 552  
[verkoop@sngbarratt.com](mailto:verkoop@sngbarratt.com)

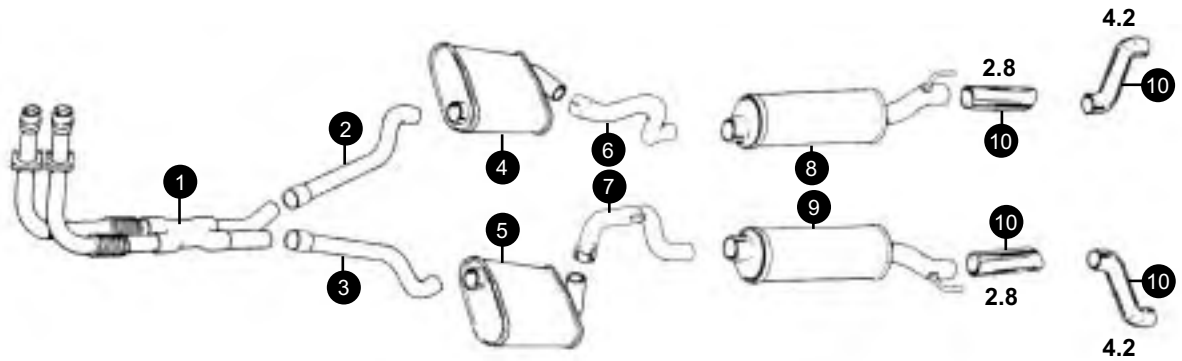


# Exhaust System

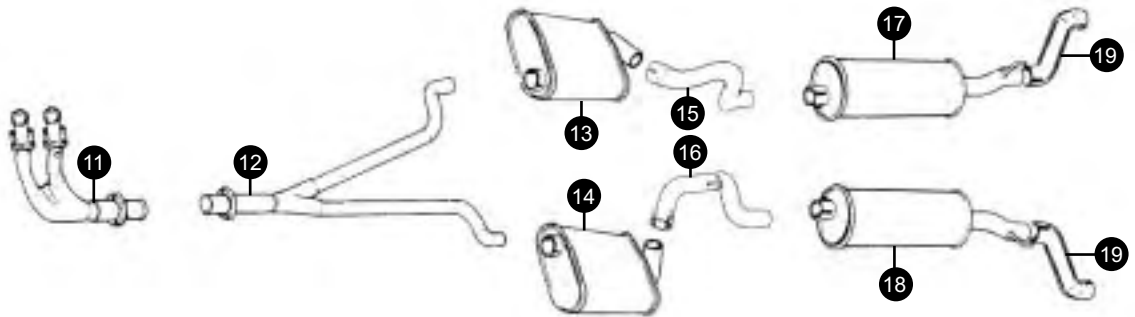
Buy on-line at [www.sngbarratt.com](http://www.sngbarratt.com)



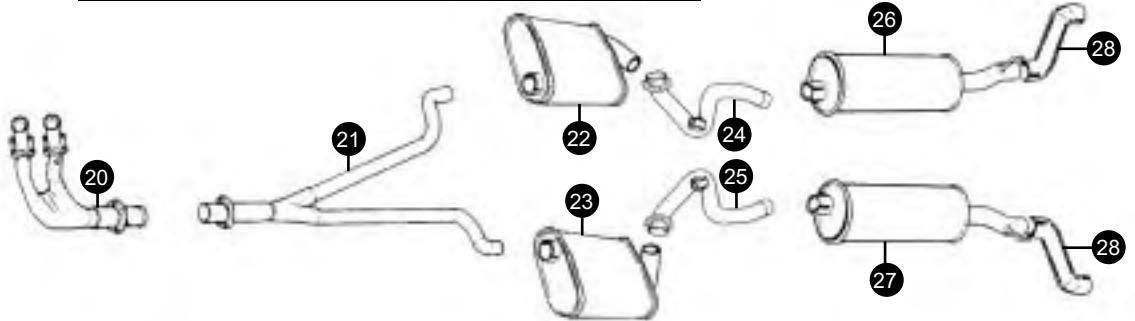
## XJ6 Series 1 2.8 & 4.2



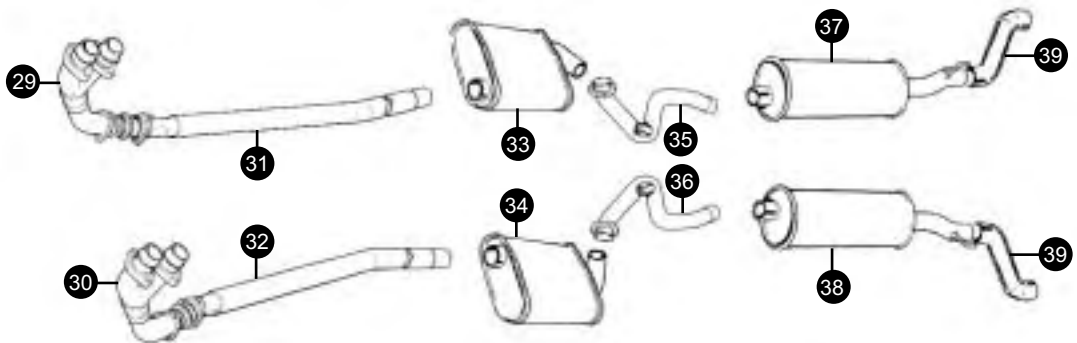
## XJ6 Series 2 (sleeve fitting overaxle pipes)



## XJ6 Series 2/3 ( flange fitting overaxle pipes)



## XJ12 Series 2/3 (1976 on)



# Exhaust System

Buy on-line at [www.sngbarratt.com](http://www.sngbarratt.com)

|  |                 |          |
|--|-----------------|----------|
| <b>XJ6 Series 1 2.8 1968 -73<br/>full system</b> | <b>BSSJR022</b> | <b>1</b> |
|--|-----------------|----------|

Individual items

|                       |         |   |
|-----------------------|---------|---|
| 1. Front pipe         | BSJR133 | 1 |
| 2. Interpipe RH       | BSJR121 | 1 |
| 3. Interpipe LH       | BSJR132 | 1 |
| 4. Centre silencer RH | BSJR122 | 1 |
| 5. Centre silencer LH | BSJR123 | 1 |
| 6. Overaxle pipe RH   | BSJR145 | 1 |
| 7. Overaxle pipe LH   | BSJR146 | 1 |
| 8. Rear silencer RH   | BSJR187 | 1 |
| 9. Rear silencer LH   | BSJR188 | 1 |
| 10. Tail trim         | BSJR94  | 2 |

|                         |               |          |
|-------------------------|---------------|----------|
| <b>Full fitting kit</b> | <b>EFK008</b> | <b>1</b> |
|-------------------------|---------------|----------|

|  |                 |          |
|--|-----------------|----------|
| <b>XJ6 Series 1 4.2 1968 -73<br/>full system</b> | <b>BSSJR023</b> | <b>1</b> |
|--|-----------------|----------|

Individual items

|                       |         |   |
|-----------------------|---------|---|
| 1. Front pipe         | BSJR131 | 1 |
| 2. Interpipe RH       | BSJR121 | 1 |
| 3. Interpipe LH       | BSJR132 | 1 |
| 4. Centre silencer RH | BSJR122 | 1 |
| 5. Centre silencer LH | BSJR123 | 1 |
| 6. Overaxle pipe RH   | BSJR145 | 1 |
| 7. Overaxle pipe LH   | BSJR146 | 1 |
| 8. Rear silencer RH   | BSJR187 | 1 |
| 9. Rear silencer LH   | BSJR188 | 1 |
| 10. Tail trim         | CAC4332 | 2 |

|                         |               |          |
|-------------------------|---------------|----------|
| <b>Full fitting kit</b> | <b>EFK008</b> | <b>1</b> |
|-------------------------|---------------|----------|

|   |                 |          |
|---|-----------------|----------|
| <b>XJ6 Series 2 3.4/4.2 1974-1976 4 door saloon<br/>slide joint full system</b> | <b>BSSJR026</b> | <b>1</b> |
|---|-----------------|----------|

Individual items

|   |         |   |
|---|---------|---|
| 11. Front pipe<br>(not included with full system) | BSJR176 | 1 |
| 12. Interpipe                                     | BSJR169 | 1 |
| 13. Centre silencer RH                            | BSJR122 | 1 |
| 14. Centre silencer LH                            | BSJR123 | 1 |
| 15. Overaxle pipe RH                              | BSJR145 | 1 |
| 16. Overaxle pipe LH                              | BSJR146 | 1 |
| 17. Rear silencer RH                              | BSJR187 | 1 |
| 18. Rear silencer LH                              | BSJR188 | 1 |
| 19. Tail trim                                     | CAC4332 | 2 |

|                         |                |          |
|-------------------------|----------------|----------|
| <b>Full fitting kit</b> | <b>EFK008A</b> | <b>1</b> |
|-------------------------|----------------|----------|

|  |                 |          |
|--|-----------------|----------|
| <b>XJ6 Series 2 3.4/4.2 1974-1976 2 door coupe<br/>slide joint full system</b> | <b>BSSJR024</b> | <b>1</b> |
|--|-----------------|----------|

Individual items

|   |         |   |
|---|---------|---|
| 11. Front pipe<br>(not included with full system) | BSJR176 | 1 |
| 12. Interpipe                                     | BSJR168 | 1 |
| 13. Centre silencer RH                            | BSJR122 | 1 |
| 14. Centre silencer LH                            | BSJR123 | 1 |

|                      |         |   |
|----------------------|---------|---|
| 15. Overaxle pipe RH | BSJR145 | 1 |
| 16. Overaxle pipe LH | BSJR146 | 1 |
| 17. Rear silencer RH | BSJR187 | 1 |
| 18. Rear silencer LH | BSJR188 | 1 |
| 19. Tail trim        | CAC4332 | 2 |

|                         |                |          |
|-------------------------|----------------|----------|
| <b>Full fitting kit</b> | <b>EFK008A</b> | <b>1</b> |
|-------------------------|----------------|----------|

|  |                 |          |
|--|-----------------|----------|
| <b>XJ6 Series 2/3 3.4/4.2 1976-1981 4 door saloon<br/>flange joint full system</b> | <b>BSSJR027</b> | <b>1</b> |
|--|-----------------|----------|

Individual items

|  |         |   |
|--|---------|---|
| 20. Front pipe (not included with full system) |         |   |
| Series 2                                       | BSJR176 | 1 |
| Series 3                                       | BSJR220 | 1 |

|                        |         |   |
|------------------------|---------|---|
| 21. Interpipe          | BSJR169 | 1 |
| 22. Centre silencer RH | BSJR204 | 1 |
| 23. Centre silencer LH | BSJR205 | 1 |
| 24. Overaxle pipe RH   | BSJR202 | 1 |
| 25. Overaxle pipe LH   | BSJR203 | 1 |
| 26. Rear silencer RH   | BSJR187 | 1 |
| 27. Rear silencer LH   | BSJR188 | 1 |
| 28. Tail trim          | CAC4332 | 2 |

|                         |               |          |
|-------------------------|---------------|----------|
| <b>Full fitting kit</b> | <b>EFK009</b> | <b>1</b> |
|-------------------------|---------------|----------|

|   |                 |          |
|---|-----------------|----------|
| <b>XJ6 Series 2 3.4/4.2 1976-1978 2 door coupe<br/>flange joint full system</b> | <b>BSSJR025</b> | <b>1</b> |
|---|-----------------|----------|

Individual items

|   |         |   |
|---|---------|---|
| 20. Front pipe<br>(not included with full system) | BSJR176 | 1 |
|---|---------|---|

|                        |         |   |
|------------------------|---------|---|
| 21. Interpipe          | BSJR169 | 1 |
| 22. Centre silencer RH | BSJR204 | 1 |
| 23. Centre silencer LH | BSJR205 | 1 |
| 24. Overaxle pipe RH   | BSJR202 | 1 |
| 25. Overaxle pipe LH   | BSJR203 | 1 |
| 26. Rear silencer RH   | BSJR187 | 1 |
| 27. Rear silencer LH   | BSJR188 | 1 |
| 28. Tail trim          | CAC4332 | 2 |

|                         |               |          |
|-------------------------|---------------|----------|
| <b>Full fitting kit</b> | <b>EFK009</b> | <b>1</b> |
|-------------------------|---------------|----------|

|  |                 |          |
|--|-----------------|----------|
| <b>XJ6 Series 3 3.4/4.2 1981-1987 4 door saloon<br/>flange joint full system</b> | <b>BSSJR028</b> | <b>1</b> |
|--|-----------------|----------|

Individual items

|   |         |   |
|---|---------|---|
| 20. Front pipe<br>(not included with full system) | BSJR220 | 1 |
|---|---------|---|

|                        |         |   |
|------------------------|---------|---|
| 21. Interpipe          | BSJR169 | 1 |
| 22. Centre silencer RH | BSJR204 | 1 |
| 23. Centre silencer LH | BSJR205 | 1 |
| 24. Overaxle pipe RH   | BSJR222 | 1 |
| 25. Overaxle pipe LH   | BSJR223 | 1 |
| 26. Rear silencer RH   | BSJR187 | 1 |
| 27. Rear silencer LH   | BSJR188 | 1 |
| 28. Tail trim          | CAC4332 | 2 |

|                         |               |          |
|-------------------------|---------------|----------|
| <b>Full fitting kit</b> | <b>EFK009</b> | <b>1</b> |
|-------------------------|---------------|----------|



+44 (0) 1746 765432  
sales.uk@sngbarratt.com



+1 603 622 1050  
sales.usa@sngbarratt.com



+33 3 85 201 420  
sngbarratt.france@wanadoo.fr



+31 13 52 11 552  
verkoop@sngbarratt.com





# Exhaust System

Buy on-line at [www.sngbarratt.com](http://www.sngbarratt.com)



|  |          |   |
|--|----------|---|
| <b>XJ12 Series 2/3 5.3 1976-1981 4 door saloon</b> |          |   |
| <b>flange joint full system</b>                    | BSSJR032 | 1 |

Individual items

|   |         |   |
|---|---------|---|
| <b>29. RH front pipe</b><br>(not included with full system) | BSJR234 | 1 |
| <b>30. LH front pipe</b><br>(not included with full system) | BSJR235 | 1 |
| <b>31. Interpipe RH</b>                                     | BSJR254 | 1 |
| <b>32. Interpipe LH</b>                                     | BSJR255 | 1 |
| <b>33. Centre silencer RH</b>                               | BSJR236 | 1 |
| <b>34. Centre silencer LH</b>                               | BSJR237 | 1 |
| <b>35. Overaxle pipe RH</b>                                 | BSJR202 | 1 |
| <b>36. Overaxle pipe LH</b>                                 | BSJR203 | 1 |
| <b>37. Rear silencer RH</b>                                 | BSJR187 | 1 |
| <b>38. Rear silencer LH</b>                                 | BSJR188 | 1 |
| <b>39. Tail trim</b>  | CAC4332 | 2 |

|   |        |   |
|---|--------|---|
| <b>Full fitting kit</b><br>with front pipes | EFK010 | 1 |
| without front pipes                         | EFK011 | 1 |

|  |          |   |
|--|----------|---|
| <b>XJ12 Series 2/3 5.3 1976-1981 4 door saloon</b> |          |   |
| <b>flange joint full system</b>                    | BSSJR033 | 1 |

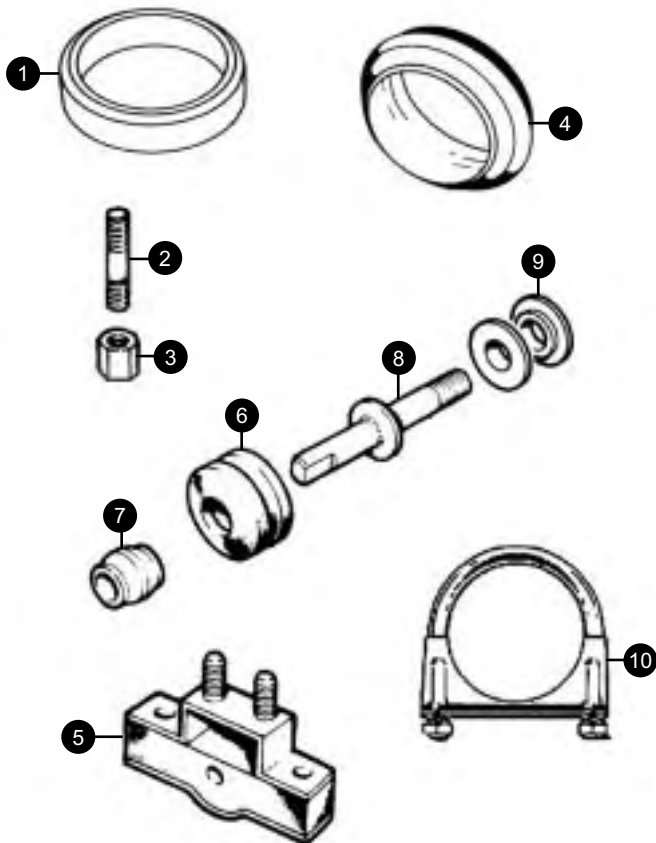
Individual items

|   |         |   |
|---|---------|---|
| <b>29. RH front pipe</b><br>(not included with full system) | BSJR234 | 1 |
| <b>30. LH front pipe</b><br>(not included with full system) | BSJR235 | 1 |
| <b>31. Interpipe RH</b>                                     | BSJR254 | 1 |
| <b>32. Interpipe LH</b>                                     | BSJR255 | 1 |
| <b>33. Centre silencer RH</b>                               | BSJR236 | 1 |
| <b>34. Centre silencer LH</b>                               | BSJR237 | 1 |
| <b>35. Overaxle pipe RH</b>                                 | BSJR222 | 1 |
| <b>36. Overaxle pipe LH</b>                                 | BSJR223 | 1 |
| <b>37. Rear silencer RH</b>                                 | BSJR187 | 1 |
| <b>38. Rear silencer LH</b>                                 | BSJR188 | 1 |
| <b>39. Tail trim</b>  | CAC4332 | 2 |

|   |        |   |
|---|--------|---|
| <b>Full fitting kit</b><br>with front pipes | EFK010 | 1 |
| without front pipes                         | EFK011 | 1 |

# Exhaust Fittings

Buy on-line at [www.sngbarratt.com](http://www.sngbarratt.com)

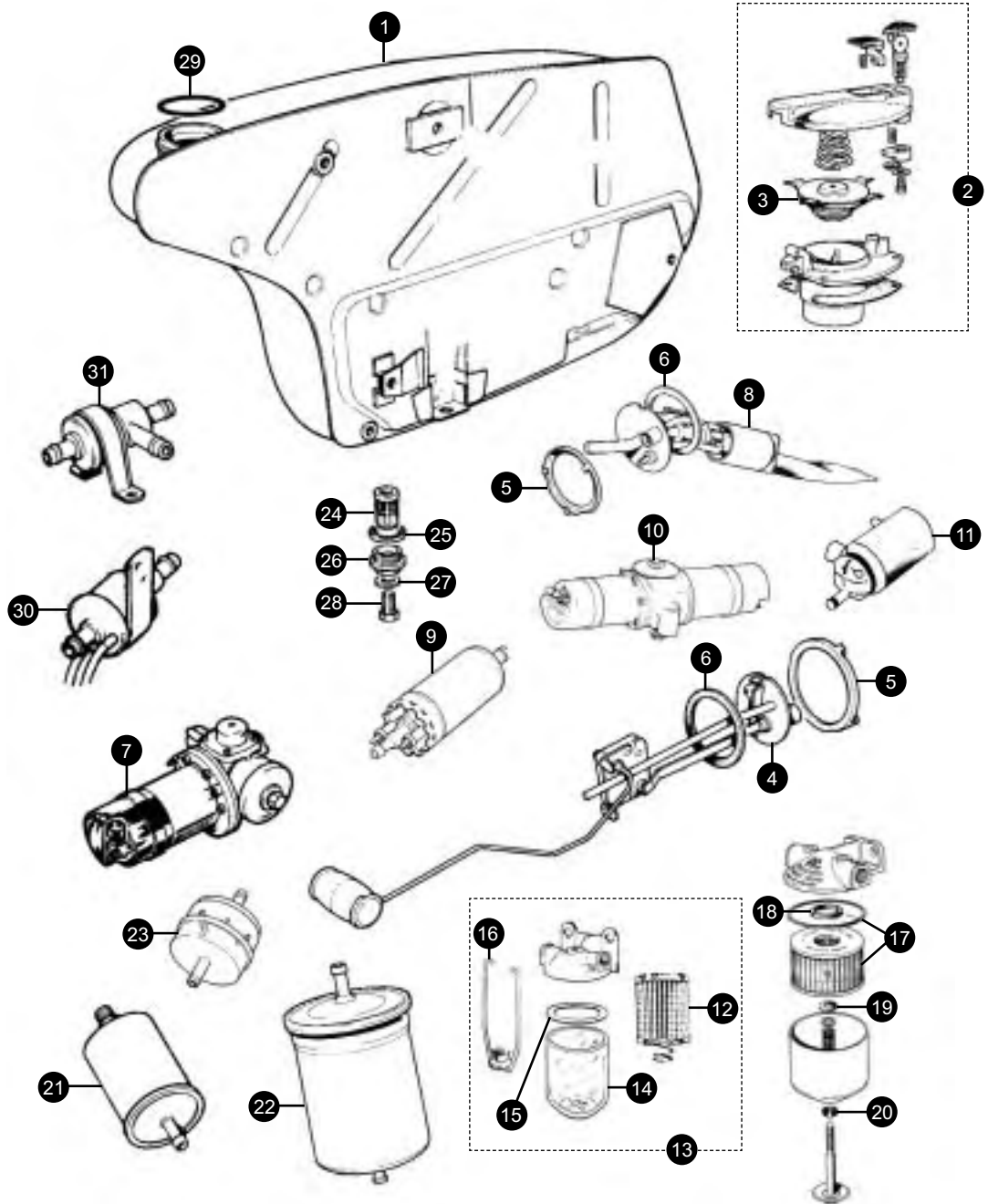


|   |         |        |       |     |
|---|---------|--------|-------|-----|
| <b>1. Downpipe sealing ring</b>                   | EBC9388 | 2/4    |       |     |
| <b>2. Downpipe stud</b>                           | C2369   | 4/8/16 |       |     |
| <b>3. Downpipe stud brass nut</b>                 | C17916  | 4/8/16 |       |     |
| <b>4. Interpipe metal sealing olive</b>           |         |        |       |     |
| XJ6 S2/3 f/pipe-interpipe                         | C35401  | 2      |       |     |
| XJ6 S2/3 flange fitting box- overaxle pipe        | CBC4131 | 2      |       |     |
| XJ12 S2/3 f/pipe-interpipe                        | C35401  | 2      |       |     |
| XJ12 S2/3 1st silencer-axle pipe                  | CBC4131 | 2      |       |     |
| <b>5. Rear silencer mounting rubber</b>           | C40110  | 2      |       |     |
| <b>6. Axle pipe/rear silencer mounting rubber</b> |         |        |       |     |
| XJ6/12 to approx 1985                             | C45014  | 2      |       |     |
| XJ6/12 1985 on approx                             | EBC4499 | 2      |       |     |
| <b>7. Axle pipe mounting rubber insulator</b>     |         |        |       |     |
| XJ6/12 to 1985                                    | C38330  | 2      |       |     |
| XJ6/12 1985 on approx                             | CAC2750 | 2      |       |     |
| <b>8. Axle pipe mounting rod</b>                  |         |        |       |     |
| Later models                                      | CAC3103 | 2      |       |     |
| <b>9. Axle pipe mounting rod insulator</b>        |         |        |       |     |
| Later models                                      | C44083  | 2      |       |     |
| <b>10. Exhaust U-bolt clamps</b>                  |         |        |       |     |
| 41mm  | GEX9005 | 45mm   | ECL45 | A/R |
| 48mm  | GEX9008 | 52mm   | ECL52 | A/R |
| 54mm  | ECL54   |        |       | A/R |



# Fuel System

Buy on-line at [www.sngbarratt.com](http://www.sngbarratt.com)



## 1. Fuel tank

|                     |    |           |   |
|---------------------|----|-----------|---|
| XJ6/12 remote pumps | RH | CAC5522/1 | 1 |
|                     | LH | CAC5523/1 | 1 |

± These tanks will fit all models as the basic pressing shape is the same throughout the range. However if your sender unit fits at the front of the tank nearest the wheelarch it will be necessary to replace them with the later units that fit at the rear of the tank behind the rear lamp DAC5498 RH & DAC5499 LH. A small amount of modification may also be required to the fuel pipes, but rest assured they will fit.

|                       |    |           |   |
|-----------------------|----|-----------|---|
| XJ6/12 immersed pumps | RH | CAC5516/1 | 1 |
|                       | LH | CAC5517/1 | 1 |

## 2. Fuel tank cap

|                                       |         |   |
|---------------------------------------|---------|---|
| XJ6 S3(can be used on earlier models) | BAC1494 | 2 |
|---------------------------------------|---------|---|

## 3. Fuel tank cap seal

|           |       |   |
|-----------|-------|---|
| XJ6/12 S2 | 12685 | 2 |
|-----------|-------|---|

## 4. Fuel level sender unit

|                             |    |        |   |
|-----------------------------|----|--------|---|
| XJ6/12 S1/2/3 front fitting | RH | C27738 | 1 |
| (fits from wheelarch end)   | LH | C27739 | 1 |

|                           |    |         |   |
|---------------------------|----|---------|---|
| XJ6/12 S3 rear fitting    | RH | DAC5498 | 1 |
| (fits from rear lamp end) | LH | DAC5499 | 1 |

|                 |          |     |
|-----------------|----------|-----|
| 5. Locking ring | ARA1501J | 2/4 |
|-----------------|----------|-----|



+44 (0) 1746 765432  
sales.uk@sngbarratt.com



+1 603 622 1050  
sales.usa@sngbarratt.com



+33 3 85 201 420  
sngbarratt.france@wanadoo.fr



+31 13 52 11 552  
verkoop@sngbarratt.com



# Fuel System

Buy on-line at [www.sngbarratt.com](http://www.sngbarratt.com)

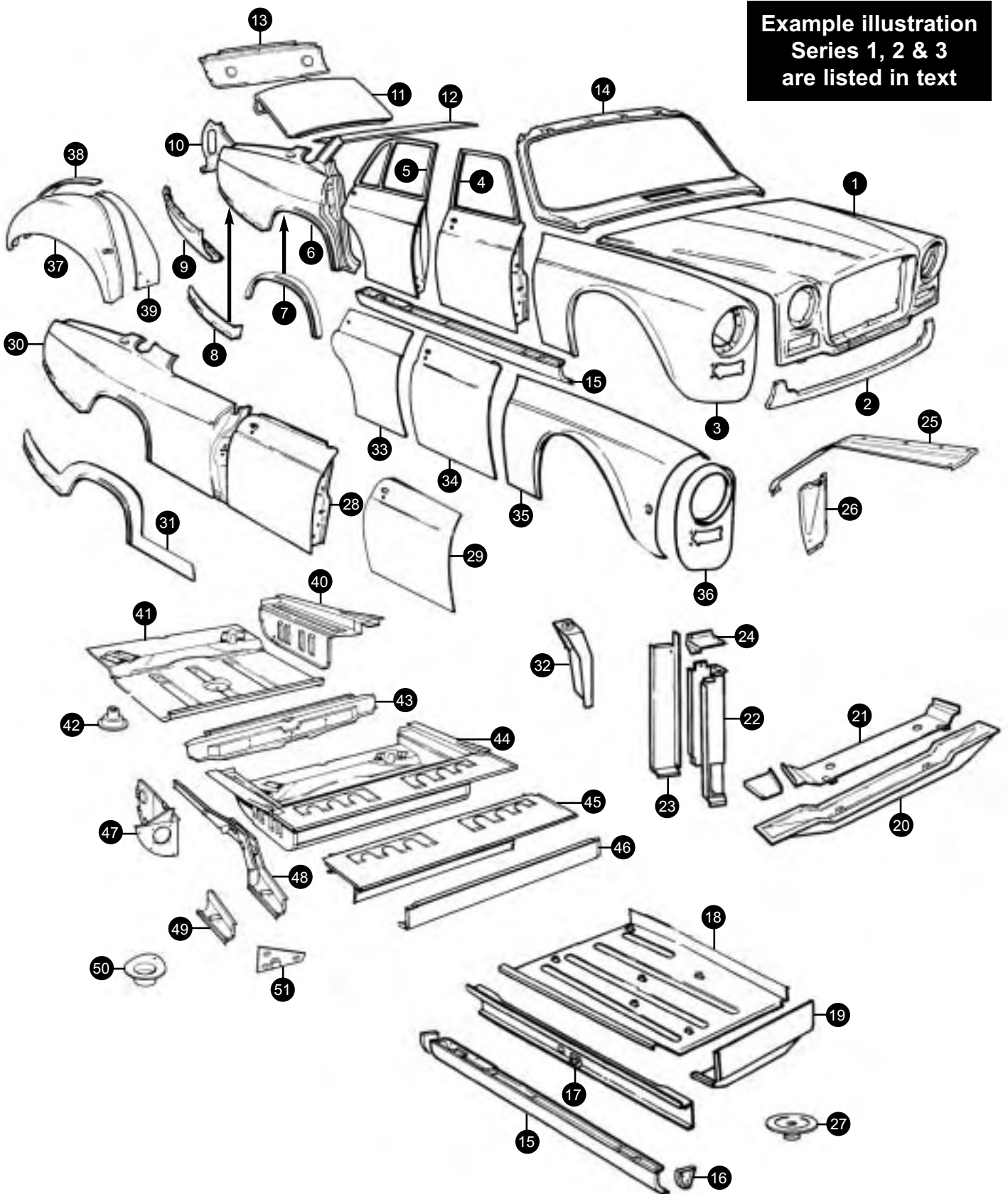


|   |                 |           |           |       |  |
|---|-----------------|-----------|-----------|-------|--|
| <b>6. Seal</b>  | ARA1502J        | 2/4       |           |       |  |
| <b>7. Fuel pump</b><br>XJ6 S1/2 carburettor remote pumps  | AZX1308         | 2         |           |       |  |
| <b>8. Fuel pump</b><br>XJ6 S2/XJ6 S3 3.4 immersed pumps   |                 |           |           |       |  |
|   | RH              | CAC3551   | 1         |       |  |
|   | LH              | CAC3552   | 1         |       |  |
| <b>9. Fuel pump</b><br>XJ6 S3 4.2 injection/XJ12 H.E injection  | CBC5657         | 1         |           |       |  |
| <b>10. Fuel pump</b><br>XJ12 S1/2 carburettor   |                 |           |           |       |  |
|   | standard points | AZX1405J  | 2         |       |  |
|   | electronic      | AZX1405EN | 2         |       |  |
| <b>11. Fuel pump</b><br>XJ12 S2/3 pre H.E. injection  | CAC2026         | 1         |           |       |  |
| <b>12. Glass type fuel filter element</b> (includes main seal)<br>XJ6 S1 2.8/4.2 early                    | C28080          | 1         |           |       |  |
| <b>13. Fuel filter assembly</b>   | C13681          |           |           |       |  |
| <b>14. Fuel filter glass bowl</b>   | 7300            |           |           |       |  |
| <b>15. Seal to filter casting</b>   | C26310          |           |           |       |  |
| <b>16. Glass bowl retaining strap</b>   | 7301            |           |           |       |  |
| <b>17. Fuel Filter element</b> (includes main seal)<br>XJ6 S1/2 2.8/3.4/4.2 late<br>XJ12 S1/2 carburettor |                 |           |           |       |  |
|   | JS660           | 1         |           |       |  |
| <b>18. Seal</b>   |                 |           |           | JS657 |  |
| <b>19. Seal</b>   |                 |           |           | JS658 |  |
| <b>20. Seal</b>   |                 |           |           | JS659 |  |
| <b>21. Fuel filter</b><br>XJ12 S2/3 injection pre H.E.  |                 |           | EAC1498   | 1     |  |
| <b>22. Fuel filter</b><br>XJ6 S3 4.2/XJ12 S3 H.E.   |                 |           | EAC3112   | 1     |  |
| <b>23. Fuel filter</b><br>XJ6 S3 3.4  |                 |           | C41817    | 1     |  |
| <b>24. Sludge filter</b>  |                 |           | CBC5649   | 2     |  |
| <b>25. Seal</b>   |                 |           | C26310    | 2     |  |
| <b>26. Screw in plug</b>  |                 |           | C44665    | 2     |  |
| <b>27. Washer</b>   |                 |           | C26311    | 2     |  |
| <b>28. Drain plug</b>   |                 |           | SH605041J | 2     |  |
| <b>29. Neck seal</b>  |                 |           | C46161*   | 2     |  |
| <b>30. Fuel return valve</b>  |                 |           |           |       |  |
|   | S3              | RH        | CBC4270   | 1     |  |
|   |                 | LH        | CAC3939   | 1     |  |
| <b>31. Fuel tank swap over valve</b>  |                 |           | CBC4269   | 1     |  |



# Body Panels

Buy on-line at [www.sngbarratt.com](http://www.sngbarratt.com)



Example illustration  
Series 1, 2 & 3  
are listed in text



+44 (0) 1746 765432  
[sales.uk@sngbarratt.com](mailto:sales.uk@sngbarratt.com)



+1 603 622 1050  
[sales.usa@sngbarratt.com](mailto:sales.usa@sngbarratt.com)



+33 3 85 201 420  
[sngbarratt.france@wanadoo.fr](mailto:sngbarratt.france@wanadoo.fr)



+31 13 52 11 552  
[verkoop@sngbarratt.com](mailto:verkoop@sngbarratt.com)



# Body Panels

Buy on-line at [www.sngbarratt.com](http://www.sngbarratt.com)**1. Bonnet**

|      |  |        |
|------|--|--------|
| S1   |  | 11697  |
| S2/3 |  | AKP464 |

**2. Lower front valance**

|    |  |        |
|----|--|--------|
| S1 |  | 11702* |
| S2 |  | JS675  |
| S3 |  | JS683  |

**3. Front wing**

|    |    |        |
|----|----|--------|
| S1 | RH | JS388  |
|    | LH | JS389* |
| S2 | RH | JS676  |
|    | LH | JS677  |
| S3 | RH | AKP374 |
|    | LH | AKP375 |

**4. Front door**

|          |    |       |
|----------|----|-------|
| S1 early | RH | 11693 |
|          | LH | 11694 |
| S1 late  | RH | JS413 |
|          | LH | JS414 |
| S1 USA   | RH | JS650 |
|          | LH | JS651 |

**S2 with electric windows**

|    |        |
|----|--------|
| RH | RTC655 |
| LH | RTC656 |

**S2 with manual windows**

|    |        |
|----|--------|
| RH | RTC651 |
| LH | RTC652 |

|        |    |         |
|--------|----|---------|
| S2 USA | RH | AEU1111 |
|        | LH | AEU1112 |

|           |    |        |
|-----------|----|--------|
| S3 Europe | RH | AKP470 |
|           | LH | AKP471 |

|        |    |        |
|--------|----|--------|
| S3 USA | RH | AKP470 |
|        | LH | AKP471 |

**5. Rear door**

|              |    |         |
|--------------|----|---------|
| S1 early SWB | RH | 11695/A |
|              | LH | 11696/A |

|             |    |       |
|-------------|----|-------|
| S1 late SWB | RH | JS415 |
|             | LH | JS416 |

|            |    |       |
|------------|----|-------|
| S1 USA SWB | RH | JS652 |
|            | LH | JS653 |

|        |    |       |
|--------|----|-------|
| S1 LWB | RH | JS609 |
|        | LH | JS610 |

|        |    |        |
|--------|----|--------|
| S2 SWB | RH | RTC531 |
|        | LH | RTC532 |

|        |    |        |
|--------|----|--------|
| S2 LWB | RH | RTC653 |
|        | LH | RTC654 |

|           |    |        |
|-----------|----|--------|
| S3 Europe | RH | AKP474 |
|           | LH | AKP475 |

|        |    |        |
|--------|----|--------|
| S3 USA | RH | AKP474 |
|        | LH | AKP475 |

**6. Rear wing**

|          |    |         |
|----------|----|---------|
| S1 early | RH | JHP1004 |
|          | LH | JHP1005 |

|         |    |         |
|---------|----|---------|
| S1 late | RH | JS469   |
|         | LH | JHP1005 |

|    |    |         |
|----|----|---------|
| S2 | RH | JS469   |
|    | LH | JHP1005 |

|    |    |        |
|----|----|--------|
| S3 | RH | AKP346 |
|    | LH | AKP347 |

**Rear wing repair panel complete outer pressing**

|    |    |         |
|----|----|---------|
| S1 | RH | JHP1004 |
|    | LH | JHP1005 |

|    |    |          |
|----|----|----------|
| S3 | RH | JLM12368 |
|    | LH | JLM12369 |

**7. Rear wheel arch outer repair panel**

|        |    |         |
|--------|----|---------|
| S1/2/3 | LH | SBS9215 |
|        | RH | SBS9216 |

**8. Rear wing quarter panel attachment flange repair**

|        |    |          |
|--------|----|----------|
| S1/2/3 | RH | AKP346RP |
|        | LH | AKP347RP |

**9. Rear lower quarter panel**

|        |    |       |
|--------|----|-------|
| S1/2/3 | RH | 11870 |
|        | LH | 11871 |

**10. Rear tail lamp mounting panel**

|    |    |       |
|----|----|-------|
| S1 | RH | 12941 |
|    | LH | 12940 |

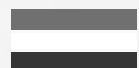
|    |    |         |
|----|----|---------|
| S2 | RH | AAU7094 |
|    | LH | AAU7095 |

|          |    |         |
|----------|----|---------|
| S2 Coupe | RH | AAU7097 |
|          | LH | AAU7096 |

|    |    |        |
|----|----|--------|
| S3 | RH | AKP400 |
|    | LH | AKP401 |

**11. Boot lid**

|    |           |        |
|----|-----------|--------|
| S1 |           | 11698  |
| S2 |           | JS673  |
| S3 | to Aug 85 | AKP373 |
|    | Aug 85 on | JLM538 |



**12. Rear deck panel**

|    |        |
|----|--------|
| S1 | 12079  |
| S2 | 12079  |
| S3 | AKP310 |

**13. Rear lower valance**

|      |                                   |                  |
|------|-----------------------------------|------------------|
| S1/2 | very early approx 1974<br>1974 on | 11703<br>RTC1214 |
| S3   |                                   | RTC1214          |

**14. Windscreen surround panel**

|    |        |
|----|--------|
| S1 | 12069  |
| S2 | 12069  |
| S3 | AKP324 |

**15. Outer sill**

|                |    |         |
|----------------|----|---------|
| S1/2 SWB 4door |    |         |
|                | RH | JHP1014 |
|                | LH | JHP1015 |
| S1/2/3 LWB     |    |         |
|                | RH | JS593   |
|                | LH | JS594   |

**16. Sill closing panel**

|        |     |       |
|--------|-----|-------|
| S1/2/3 | RHF | 12198 |
|        | LHF | 12220 |
|        | RHR | 12510 |
|        | LHR | 12511 |

**17. Inner sill**

|                |    |        |
|----------------|----|--------|
| S1/2 SWB 4door |    |        |
|                | RH | 12683  |
|                | LH | 12684  |
| S1/2/3 LWB     |    |        |
|                | RH | AKP380 |
|                | LH | AKP381 |

**18. Floorpan**

|        |    |         |
|--------|----|---------|
| S1/2/3 | RH | JS604RP |
|        | LH | JS605RP |

**19. Toeboard**

|          |    |        |
|----------|----|--------|
| S1/S2/S3 | RH | 12096* |
|          | LH | 12097* |

**20. Radiator cross member**

|        |       |
|--------|-------|
| S1/2/3 | 12101 |
|--------|-------|

**21. Radiator cross member closing panel**

|      |        |
|------|--------|
| S1/2 | AKP148 |
| S3   | AKP148 |

**22. Radiator support post**

|        |    |       |
|--------|----|-------|
| S1/2/3 | RH | JS690 |
|        | LH | JS691 |

**23. Front wing vertical bracket**

|        |    |       |
|--------|----|-------|
| S1/2/3 | RH | 12088 |
|        | LH | 12089 |

**24. Platform panel**

|        |    |       |
|--------|----|-------|
| S1/2/3 | RH | 12086 |
|        | LH | 12087 |

**25. Front wing upper stoneguard**

|        |    |        |
|--------|----|--------|
| S1/2/3 | RH | AKP740 |
|        | LH | AKP741 |

**26. Front wing rear stoneguard**

|        |    |         |
|--------|----|---------|
| S1/2/3 | RH | BD38380 |
|        | LH | BD38381 |

**27. Front jacking point**

|        |         |
|--------|---------|
| S1/2/3 | BD28654 |
|--------|---------|

**28. Coupe door assembly**

|    |    |       |
|----|----|-------|
| S2 | RH | JS671 |
|    | LH | JS672 |

**29. Coupe door skin**

|    |    |       |
|----|----|-------|
| S2 | RH | JS668 |
|    | LH | JS670 |

**30. Coupe rear wing**

|    |    |        |
|----|----|--------|
| S2 | RH | JS702  |
|    | LH | JS711* |

**31. Coupe rear wing outer wheelarch repair section**

|    |    |         |
|----|----|---------|
| S2 | RH | JS702RP |
|    | LH | JS711RP |

**32. Shock absorber support bracket**

|        |    |       |
|--------|----|-------|
| S1/2/3 | RH | 12092 |
|        | LH | 12093 |

**33. Rear door skin**

|          |    |        |
|----------|----|--------|
| S1/2 SWB | RH | JS460* |
|          | LH | JS461* |

|          |    |        |
|----------|----|--------|
| S1/2 LWB | RH | JS607* |
|          | LH | JS608* |

|    |    |      |
|----|----|------|
| S3 | RH | AKP4 |
|    | LH | AKP5 |

**34. Front door skin**

|      |    |       |
|------|----|-------|
| S1/2 | RH | JS458 |
|      | LH | JS459 |

|    |    |      |
|----|----|------|
| S3 | RH | AKP2 |
|    | LH | AKP3 |

**35. Front wing rear repair section**

|    |    |         |
|----|----|---------|
| S1 | RH | JHP1010 |
|    | LH | JHP1011 |

|    |    |         |
|----|----|---------|
| S2 | RH | JHP1002 |
|    | LH | JHP1003 |

|    |    |          |
|----|----|----------|
| S3 | RH | JLM12364 |
|    | LH | JLM12365 |



# Body Panels

Buy on-line at [www.sngbarratt.com](http://www.sngbarratt.com)



### 36. Front wing nose repair section

|    |    |          |
|----|----|----------|
| S1 | RH | JS388RP  |
|    | LH | JS389RP  |
| S2 | RH | JS676RP  |
|    | LH | JS677RP  |
| S3 | RH | JLM12362 |
|    | LH | JLM12363 |

### 37. Outer half of inner rear wheelarch

|      |    |       |
|------|----|-------|
| S1/2 | RH | 12151 |
|      | LH | 12152 |
| S3   | RH | 12151 |
|      | LH | 12152 |

### 38. Rear section of inner rear wheelarch

|      |    |        |
|------|----|--------|
| S1/2 | RH | 12149  |
|      | LH | 12150  |
| S3   | RH | 12149  |
|      | LH | AKP173 |

### 39. Front inner section of inner rear wheelarch

|      |    |       |
|------|----|-------|
| S1/2 | RH | 12147 |
|      | LH | 12148 |
| S3   | RH | 12147 |
|      | LH | 12148 |

### 40. Boot floor side panel

|        |    |       |
|--------|----|-------|
| S1/2/3 | RH | 12130 |
|        | LH | 12131 |

### 41. Spare wheel well panel

|        |  |        |
|--------|--|--------|
| S1/2/3 |  | RTC539 |
|--------|--|--------|

### 42. Spare wheel mounting bracket

|  |  |      |
|--|--|------|
|  |  | 6984 |
|--|--|------|

### 43. Rear cross member

|      |                |         |
|------|----------------|---------|
| S1/2 | to approx 1974 | 12134   |
|      | 1974 on        | RTC1185 |

|      |  |         |
|------|--|---------|
| S2/3 |  | RTC1185 |
|------|--|---------|

### 44. Boot floor assembly

|        |  |       |
|--------|--|-------|
| S1/2/3 |  | 12128 |
|--------|--|-------|

### 45. Boot floor rear shelf panel

|        |  |       |
|--------|--|-------|
| S1/2/3 |  | 12129 |
|--------|--|-------|

### 46. Differential mounting crossmember

|        |  |        |
|--------|--|--------|
| S1/2/3 |  | RTC646 |
|--------|--|--------|

### 47. Rear valance extension

|        |    |       |
|--------|----|-------|
| S1/2/3 | RH | 12137 |
|        | LH | 12138 |

### 48. Rear side member

|        |    |       |
|--------|----|-------|
| S1/2/3 | RH | 12135 |
|        | LH | 12136 |

### 49. Rear side member radius arm repair section

|  |    |          |
|--|----|----------|
|  | RH | 12135RP* |
|  | LH | 12136RP* |

### 50. Radius arm mounting point

|  |  |       |
|--|--|-------|
|  |  | JS254 |
|--|--|-------|

### 51. Rear jacking point

|    |  |         |
|----|--|---------|
| S1 |  | BD33629 |
|----|--|---------|

|      |    |         |
|------|----|---------|
| S2/3 | RH | BD44956 |
|      | LH | BD44957 |

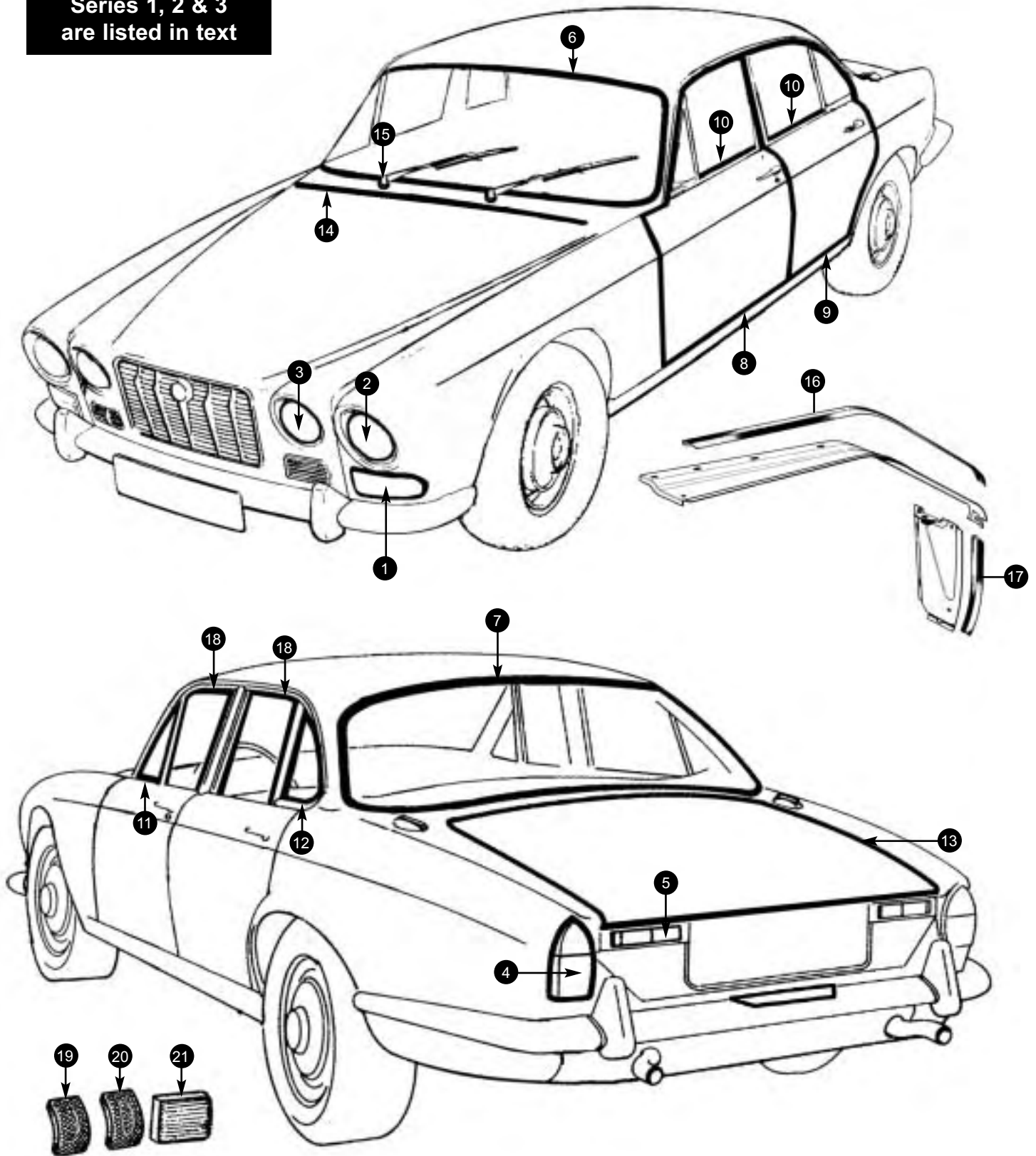




# Body Rubbers

Buy on-line at [www.sngbarratt.com](http://www.sngbarratt.com)

Example illustration  
Series 1, 2 & 3  
are listed in text



+44 (0) 1746 765432  
[sales.uk@sngbarratt.com](mailto:sales.uk@sngbarratt.com)



+1 603 622 1050  
[sales.usa@sngbarratt.com](mailto:sales.usa@sngbarratt.com)



+33 3 85 201 420  
[sngbarratt.france@wanadoo.fr](mailto:sngbarratt.france@wanadoo.fr)



+31 13 52 11 552  
[verkoop@sngbarratt.com](mailto:verkoop@sngbarratt.com)



# Body Rubbers

Buy on-line at [www.sngbarratt.com](http://www.sngbarratt.com)

## XJ6/12 S1 SWB & LWB

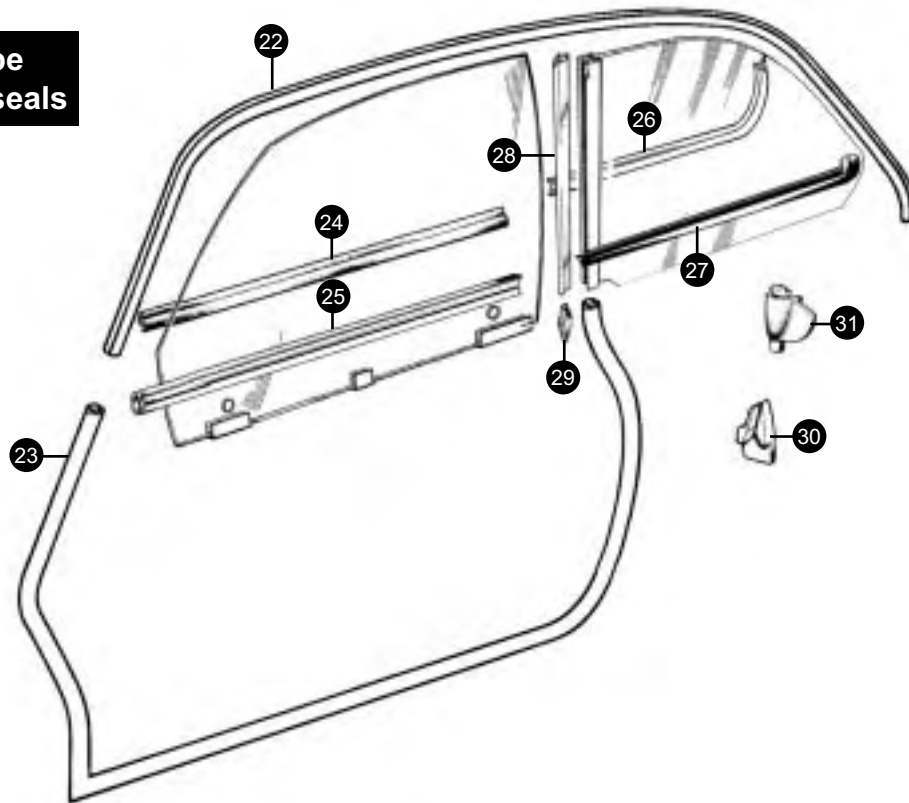
|  |       |            |      |
|--|-------|------------|------|
| 1. Front lamp gasket                         | RH    | 11719      | 1    |
|  | LH    | 11720      | 1    |
| Front lamp lens gasket                       |       | 12426      | 2    |
| 2. Headlamp gasket                           | 7"    | 9403       | 2    |
| 3. Headlamp gasket                           | 5.75" | 511602J    | 2    |
| 4. Rear lamp gasket                          |       | 11734      | 2    |
| Rear lamp lens gasket                        |       | 11734/L    | 2    |
| 5. Reverse lamp gasket                       |       | 11741      | 2    |
| Reverse lamp lens gasket                     |       | RT1067     | pair |
| 6. Windscreen seal                           | early | BD31153    | 1    |
|  | late  | BD48848    | 1    |
| 7. Rear screen seal                          | early | BD30723*   | 1    |
|  | late  | BD38361    | 1    |
| Screen rubber insert strip                   |       | BD48847    | 2    |
| 8. Front door seals                          | RHF   | RTC2609    | 1    |
|  | LHF   | RTC2610    | 1    |
| 9. Rear door seals                           |       |            |      |
| SWB  | RHR   | BD33880    | 1    |
|  | LHR   | BD33881    | 1    |
| LWB  | RHR   | RTC2611    | 1    |
|  | LHR   | RTC2612    | 1    |
| 10. Door glass outer waist seal              |       | BD46440/3* | 4    |
| 11. Front quarter light seals                |       |            |      |
|  | RH    | BD31789    | 1    |
|  | LH    | BD31790    | 1    |
| 12. Rear quarter light seal                  | RH    | BD34811    | 1    |
|  | LH    | BD34812    | 1    |
| 13. Boot lid seal                            |       | BBC44411   | 1    |
| 14. Rear bonnet seal                         |       | BBC4451    | 1    |
| 15. Wiper escutcheon seal                    |       | C5522R     | 2    |
| 16. Front wing upper splash guard seal       |       | BBC4471    | 2    |
| 17. Front wing rear splash guard seal        |       | BBC4463    | 2    |
| 18. Window channel rubber                    |       | BD21070/7* | 10   |
| 19. Jaguar manual brake/clutch pedal rubber  |       | C8969      | 2    |
| 20. Daimler manual brake/clutch pedal rubber |       | C27521     | 1    |
| 21. Auto brake pedal rubber auto             |       | C21515     | 1    |
| <b><u>XJ6/12 S2 LWB</u></b>                  |       |            |      |
| 1. Front lamp gasket                         | RH    | JS737      | 1    |
|  | LH    | JS739      | 1    |
| 2. Headlamp gasket                           | 7"    | 9403       | 2    |
| 3. Headlamp gasket                           | 5.75" | 511602J    | 2    |
| 4. Rear lamp gasket                          |       | 11734      | 2    |

|  |     |            |      |
|--|-----|------------|------|
| Rear lamp lens gasket                  |     | 11734/L    | 2    |
| 5. Reverse lamp gasket                 |     | 11741      | 2    |
| Reverse lamp lens gasket               |     | RT1067     | pair |
| 6. Windscreen seal                     |     | BD48848    | 1    |
| 7. Rear screen seal                    |     | BD38361    | 1    |
| Screen rubber insert strip             |     | BD48847    | 2    |
| 8. Front door seals                    | RHF | RTC2609    | 1    |
|  | LHF | RTC2610    | 1    |
| 9. Rear door seals                     |     |            |      |
| LWB                                    | RHR | RTC2611    | 1    |
|  | LHR | RTC2612    | 1    |
| 10. Door glass outer waist seal        |     | BD46440/3* | 4    |
| Door glass inner waist seal            |     | BD44712    | 4    |
| 12. Rear quarter light seal            | RH  | BD34811    | 1    |
|  | LH  | BD34812    | 1    |
| 13. Boot lid seal                      |     | BBC4441/1  | 1    |
| 14. Rear bonnet seal                   |     | BBC4451    | 1    |
| 15. Wiper escutcheon seal              |     | C5522R     | 2    |
| 16. Front wing upper splash guard seal |     | BBC4471    | 2    |
| 17. Front wing rear splash guard seal  |     | BBC4463    | 2    |
| 18. Window channel rubber              |     | BD21070/7* | 10   |
| 19. Brake pedal rubber manual Jaguar   |     | C8969      | 2    |
| 20. Brake pedal rubber manual Daimler  |     | C27521     | 2    |
| 21. Brake pedal rubber auto            |     | C21515     | 1    |

## XJ6/12 S2 Coupe

|  |       |            |      |
|--|-------|------------|------|
| 1. Front lamp gasket                   | RH    | JS737      | 1    |
|  | LH    | JS739      | 1    |
| 2. Headlamp gasket                     | 7"    | 9403       | 2    |
| 3. Headlamp gasket                     | 5.75" | 511602J    | 2    |
| 4. Rear lamp gasket                    |       | 11734      | 2    |
| Rear lamp lens gasket                  |       | 11734/L    | 2    |
| 5. Reverse lamp gasket                 |       | 11741      | 2    |
| Reverse lamp lens gasket               |       | RT1067     | pair |
| 6. Windscreen seal                     |       | BD48848    | 1    |
| Rear screen seal                       |       | BD38361    | 1    |
| Screen rubber insert strip             |       | BD48847    | 2    |
| 13. Boot lid seal                      |       | BBC4441/1  | 1    |
| 14. Rear bonnet seal                   |       | BBC4451    | 1    |
| 15. Wiper escutcheon seal              |       | C5522R     | 2    |
| 16. Front wing upper splash guard seal |       | BBC4471    | 2    |
| 17. Front wing rear splash guard seal  |       | BBC4463    | 2    |
| 18. Window channel rubber              |       | BD21070/7* | 10   |
| 19. Brake pedal rubber manual Jaguar   |       | C8969      | 2    |
| 20. Brake pedal rubber manual Daimler  |       | C27521     | 2    |
| 21. Brake pedal rubber auto            |       | C21515     | 1    |



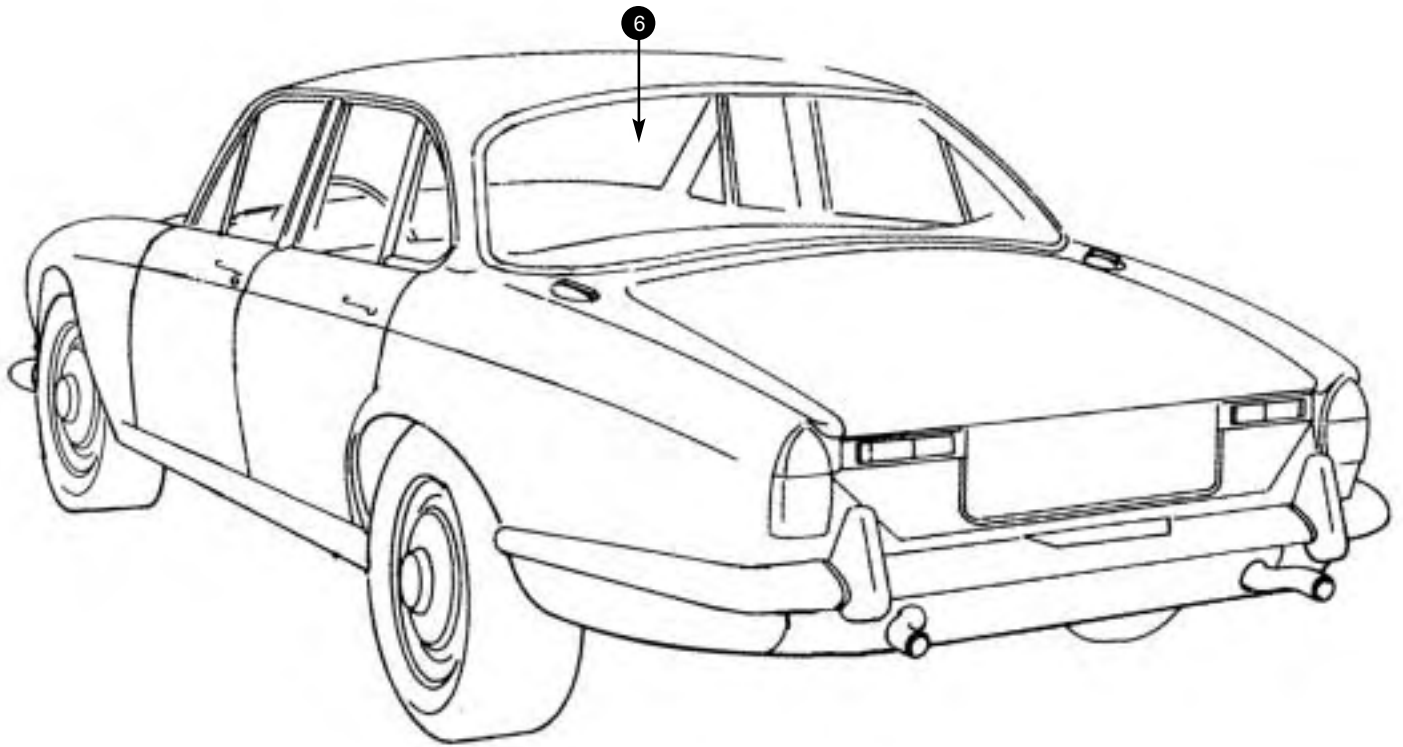
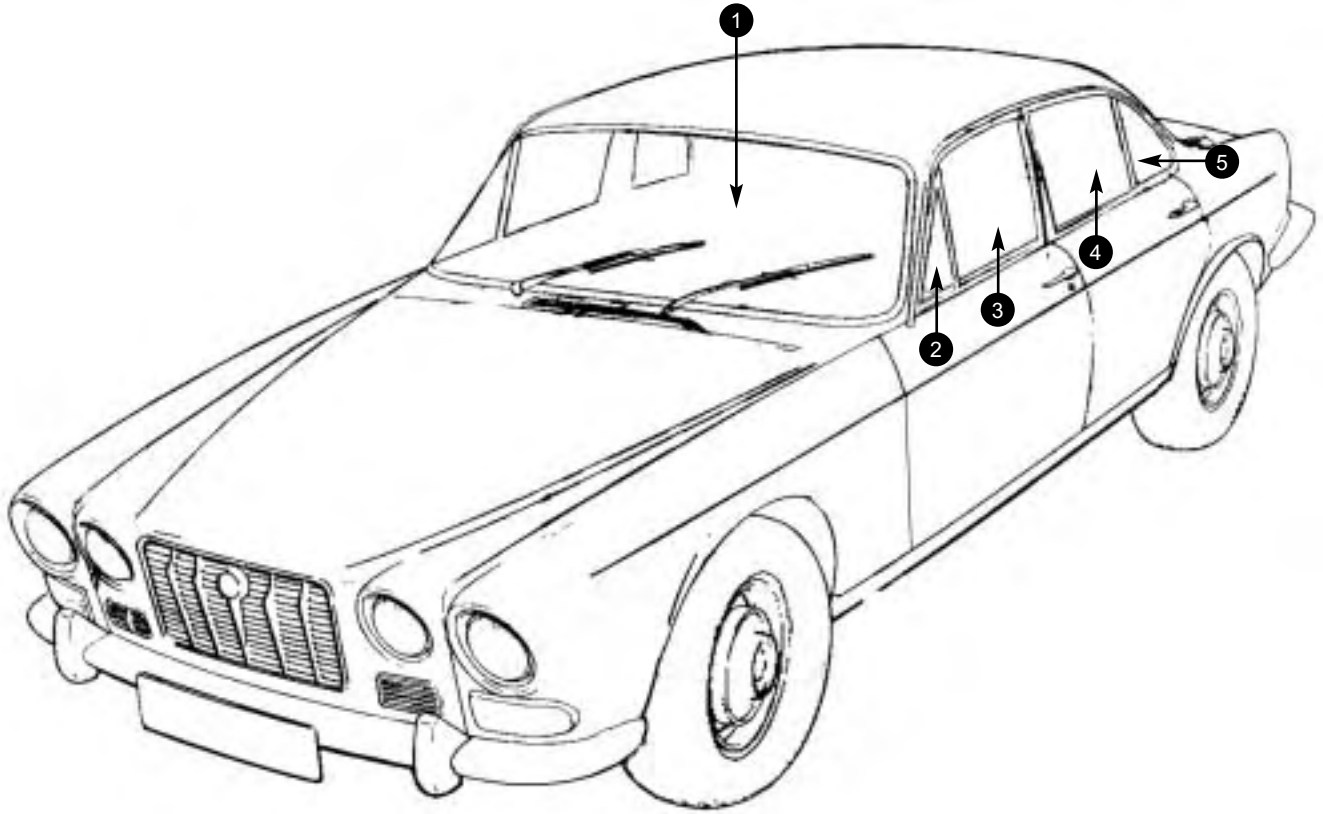
**Series 2 Coupe  
door & window seals**

|  |         |            |   |  |     |            |   |
|--|---------|------------|---|--|-----|------------|---|
| <b>22. Upper door seal</b>                   | RH & LH | BD44122    | 2 | <b>8. Front door seal</b>                    | RHF | BEC20212   | 1 |
| <b>23. Lower door seal</b>                   | RH      | BD44120    | 1 |  | LHF | BEC20213   | 1 |
|  | LH      | BD44121    | 1 | <b>9. Rear door seal</b>                     |     |            |   |
| <b>24. Door glass outer waist seal</b>       |         | BD464401   | 2 |  | RHR | BEC20216   | 1 |
| <b>25. Door glass inner waist seal</b>       |         | BD42190    | 2 |  | LHR | BEC20217   | 1 |
| <b>26. Rear quarter glass outer seal</b>     |         |            |   | <b>10. Door glass outer waist seal</b>       |     | BD46440/3* | 4 |
|  | RH      | BD46454    | 1 | <b>Door glass inner waist seal</b>           |     | BD464586   | 4 |
|  | LH      | BD46455    | 1 | <b>12. Rear quarter light seal</b>           | RH  | BAC1132    | 1 |
| <b>27. Rear quarter glass inner seals</b>    |         | BD46188/89 | 1 |  | LH  | BAC1133    | 1 |
| <b>28. Rear quarter glass vertical seal</b>  |         | BD46674/1  | 2 | <b>13. Boot lid seal</b>                     |     | BBC4441/1  | 1 |
| <b>29. Seal end</b>                          | RH      | BD45751    | 1 | <b>14. Rear bonnet seal</b>                  |     | BBC4451    | 1 |
|  | LH      | BD45752    | 1 | <b>Main Bonnet seal</b>                      |     | BEC9010    | 1 |
| <b>30. Door lock seal</b>                    | RH      | BD45757    | 1 | <b>18. Window felt kit</b>                   | RH  | BAC1562    | 2 |
|  | LH      | BD45758    | 1 |  | LH  | BAC1563    | 2 |
| <b>31. End cap seal</b>                      | RH      | BD45641    | 1 | <b>19. Brake pedal rubber manual Jaguar</b>  |     | C8969      | 2 |
|  | LH      | BD45642    | 1 | <b>20. Brake pedal rubber manual Daimler</b> |     | C27521     | 2 |
| <b>XJ6/12 S3</b>                             |         |            |   | <b>21. Brake pedal rubber auto</b>           |     | C21515     | 1 |
| <b>2. Headlamp gasket</b>                    | 7"      | 9403       | 2 | <b>S3 Items not illustrated</b>              |     |            |   |
| <b>3. Headlamp gasket</b>                    | 5.75"   | 511602J    | 2 | <b>Rear number plate lamp seal</b>           |     | BD429092   | 1 |
| <b>6. Front screen seal</b>                  |         | BAC1977    | 1 | <b>Sunroof seal</b>                          |     | BCC2421    | 1 |
| <b>7. Rear screen seal</b>                   |         | BAC2288    | 1 | <b>Door handle seal</b>                      |     | BAC2003    | 4 |
| <b>Front &amp; rear screen insert rubber</b> |         | BBC5889    | 2 | <b>Door mirror gaskets</b>                   |     | BDC9424    | 2 |
| <b>Front &amp; rear screen insert strip</b>  |         | BAC4794    | 2 | <b>Door lock barrel seal</b>                 |     | AEU1587    | 2 |



# Body Glass

Buy on-line at [www.sngbarratt.com](http://www.sngbarratt.com)



**XJ6/12 Series 1**

|                                     |        |    |           |
|-------------------------------------|--------|----|-----------|
| <b>1. Windscreen</b>                |        |    |           |
|                                     | clear  |    | BD31145   |
|                                     | tinted |    | BD31145/1 |
| <b>2. Front quarter light</b>       |        |    |           |
|                                     | clear  | RH | BD38589   |
|                                     |        | LH | BD38590   |
|                                     | tinted | RH | BD38591   |
|                                     |        | LH | BD38592   |
| <b>3. Front door glass</b>          |        |    |           |
|                                     | clear  | RH | BD31328   |
|                                     |        | LH | BD31329   |
|                                     | tinted | RH | BD31328/1 |
|                                     |        | LH | BD31329/1 |
| <b>4. Rear door glass</b>           |        |    |           |
| SWB                                 | clear  | RH | BD31332   |
|                                     |        | LH | BD31333   |
| SWB                                 | tinted | RH | BD31332/1 |
|                                     |        | LH | BD31333/1 |
| LWB                                 | clear  | RH | BD39706   |
|                                     |        | LH | BD39707   |
| LWB                                 | tinted | RH | BD39706/1 |
|                                     |        | LH | BD39707/2 |
| <b>5. Rear quarter light glass</b>  |        |    |           |
|                                     | clear  | RH | BD32078   |
|                                     | clear  | LH | BD32079   |
|                                     | tinted | RH | BD32078/1 |
|                                     | tinted | LH | BD32079/1 |
| <b>6. Rear screen</b>               |        |    |           |
|                                     | clear  |    | BD39252   |
|                                     | tinted |    | BD39253   |
| <b>XJ6/12 Series 2</b>              |        |    |           |
| <b>1. Windscreen</b>                |        |    |           |
|                                     | clear  |    | BD31145   |
|                                     | tinted |    | BD31145/1 |
| <b>2. Front quarter light</b>       |        |    |           |
|                                     | clear  | RH | BD43035   |
|                                     |        | LH | BD43036   |
|                                     | tinted | RH | BD43037   |
|                                     |        | LH | BD43038   |
| <b>3. Front door glass (4 door)</b> |        |    |           |
|                                     | clear  | RH | BD31328   |
|                                     |        | LH | BD31329   |
|                                     | tinted | RH | BD31328/1 |
|                                     |        | LH | BD31329/1 |

**Door glass (2 door coupe)**

|             |    |           |
|-------------|----|-----------|
| tinted only | RH | BD42003/1 |
|             | LH | BD42004/1 |

**4. Rear door glass (assumed LWB)**

|        |    |           |
|--------|----|-----------|
| clear  | RH | BD39706   |
|        | LH | BD39707   |
| tinted | RH | BD39706/1 |
|        | LH | BD39707/1 |

**Rear quarter glass (2 door coupe)**

|        |    |           |
|--------|----|-----------|
| clear  | RH | BD48464   |
|        | LH | BD48465   |
| tinted | RH | BD48464/1 |
|        | LH | BD48465/1 |

**5. Rear quarter light glass**

|        |    |           |
|--------|----|-----------|
| clear  | RH | BD32078   |
|        | LH | BD32079   |
| tinted | RH | BD32078/1 |
|        | LH | BD32079/1 |

**6. Rear screen**

|        |  |         |
|--------|--|---------|
| clear  |  | BD39252 |
| tinted |  | BD39253 |

**XJ6/12 Series 3****1. Windscreen**

|        |  |         |
|--------|--|---------|
| clear  |  | BAC1958 |
| tinted |  | BAC1959 |

**3. Front door glass**

|        |    |         |
|--------|----|---------|
| clear  | RH | BAC4768 |
|        | LH | BAC4769 |
| tinted | RH | BAC4770 |
|        | LH | BAC4771 |

**4. Rear door glass**

|        |    |         |
|--------|----|---------|
| clear  | RH | BAC1084 |
|        | LH | BAC1085 |
| tinted | RH | BAC1086 |
|        | LH | BAC1087 |

**5. Rear quarter light glass**

|        |    |         |
|--------|----|---------|
| clear  | RH | BAC1124 |
|        | LH | BAC1125 |
| tinted | RH | BAC1126 |
|        | LH | BAC1127 |

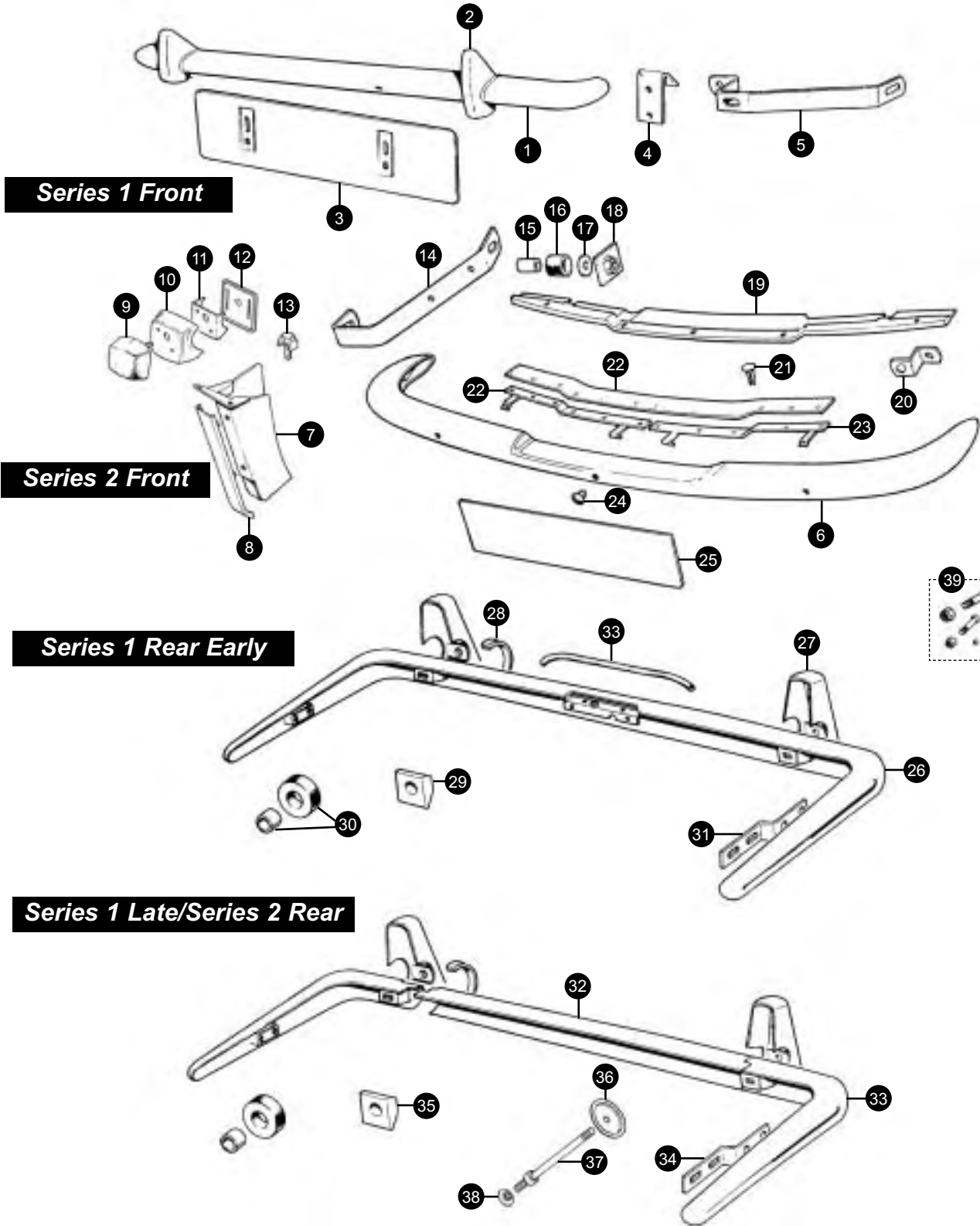
**6. Rear screen**

|                       |  |         |
|-----------------------|--|---------|
| clear                 |  | BBC6550 |
| tinted                |  | BBC6565 |
| tinted with stop lamp |  | BEC5408 |



# Series 1 & 2 Bumpers

Buy on-line at [www.sngbarratt.com](http://www.sngbarratt.com)



# Series 1 & 2 Bumpers

Buy on-line at [www.sngbarratt.com](http://www.sngbarratt.com)

## Series 1 Front

**1. Bumper** to 1L69907 BD32505 1  
IL69908 on BD42160 1

### 2. Override

To 1L69907 RH BD30817 1  
LH BD30818 1

IL69908 on USA/ Canada BD42217 2

### Rubber cover

IL69908 on USA/ Canada RH BD42286 1  
LH BD42287 1

**3. Number plate panel** BD21503 1

**4. Number plate panel bracket** BD30614 2

### 5. Bumper bracket

To 1L69907 RH BD32404 1  
LH BD32505 1

IL69908 on RH BD42161 1  
LH BD42162 1

## Series 2 Front

**6. Bumper** BD42126 1

**7. Underrider** RH BD44446 1  
LH BD44447 1

### 8. Underrider capping plate

RH BD44450 1  
LH BD44451 1

**9. Override buffer** RH BD42620 1  
LH BD42621 1

**10. Override** RH BD42618 1  
LH BD42619 1

**11. Override bracket** RH BD42624 1  
LH BD42625 1

**12. Override gasket** BD42632 2

**13. Special headed bolt** BD46005 2

### 14. Inner bumper bracket

RH BAC4194 1  
LH BAC4195 1

**15. Spacer** BD4565 2

**16. Mounting rubber** BD42770 2

**18. Captive nut plate** BD42452 2

**19. Plastic plinth (later models)** BD45949 1

**20. Outer bumper bracket** BD42127 2

**21. Fixing plug** BD1328/7 12

**22. Metal plinth (early models)** BD45574 1

**23. Metal plinth late (early models)**  
RH BD45575 1  
LH BD45576 1

**24. Buffer** BD44001 1

**25. Number plate panel** BD42573 1

### Series 1 Rear (early one piece type)

**26. Bumper** BD31703 1

**27. Rear override** RH BD32461 1  
LH BD32462 1

**28. Override bead set** 209K 1

**29. Spacer block** BD30393 2

**30. Spacer** BD31571 2

**31. Outer bumper bracket** BD31704 2

### S1/2 Rear (later three piece type)

#### 32. Bumper centre bar

Series 1 with n/plate lamp cut-out BD38810R 1

Series 2 without n/plate lamp cutout BD40992 1

#### 33. Bumper corner section

Series 1 RH BD38808 1  
LH BD38809 1

Series 2 RH BD43125 1  
LH BD43126 1

#### 34. Outer bumper bracket

RH BD39487 1  
LH BD39488 1

**35. Spacer block** S1/2 BD38811 2

**36. Fixing washer** S2 BD44645 2

**37. Fixing stud** S2 BD44644 2

**38. Rubber** S2 BD44646 2

#### 39. Bumper bolt kits

S1 front BBK21 1  
S1 rear BBK22 1  
S2 front BBK23 1  
S2 rear BBK24 1



+44 (0) 1746 765432  
[sales.uk@sngbarratt.com](mailto:sales.uk@sngbarratt.com)



+1 603 622 1050  
[sales.usa@sngbarratt.com](mailto:sales.usa@sngbarratt.com)



+33 3 85 201 420  
[sngbarratt.france@wanadoo.fr](mailto:sngbarratt.france@wanadoo.fr)



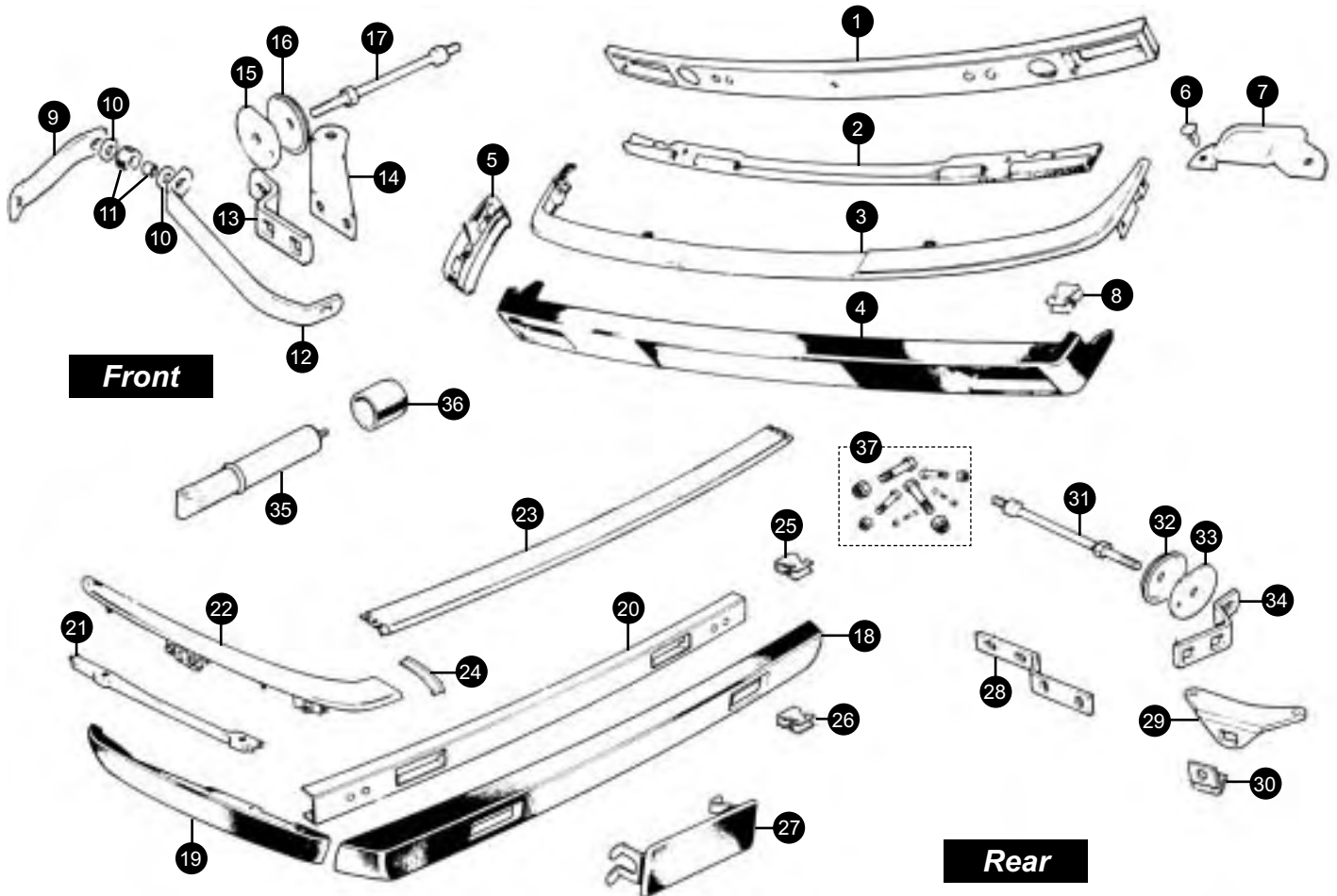
+31 13 52 11 552  
[verkoop@sngbarratt.com](mailto:verkoop@sngbarratt.com)





# Series 3 Bumpers

Buy on-line at [www.sngbarratt.com](http://www.sngbarratt.com)



**Front**

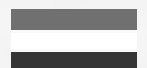
|                                   |         |         |     |
|-----------------------------------|---------|---------|-----|
| <b>1. Bumper armature</b>         |         |         |     |
| European markets                  | BAC1332 | 1       |     |
| North American markets            | BAC1610 | 1       |     |
| <b>2. Plinth</b>                  |         |         |     |
|                                   | BCC2064 | 1       |     |
| <b>3. Front bumper top chrome</b> |         |         |     |
|                                   | BAC1242 | 1       |     |
| <b>4. Rubber cover</b>            |         |         |     |
| European markets                  | BAC1331 | 1       |     |
| North American markets            | BAC1170 | 1       |     |
| <b>5. End capping</b>             | RH      | BAC1344 | 1   |
|                                   | LH      | BAC1345 | 1   |
| <b>6. Fixing</b>                  |         | BAC2780 | 4   |
| <b>7. Capping</b>                 |         | BAC2433 | 2   |
| <b>8. Clip</b>                    |         | BD21962 | A/R |
| <b>9. Outer bracket</b>           |         |         |     |
| European markets only             | RH      | BAC1360 | 1   |
|                                   | LH      | BAC1361 | 1   |

|                             |    |  |         |
|-----------------------------|----|--|---------|
| <b>10. Washer*</b>          |    |  | BD541/2 |
| <b>11. Rubber*</b>          |    |  | BAC1368 |
| <b>Spacer tube*</b>         |    |  | BAC2283 |
| <b>12. Inner bracket</b>    | RH |  | BAC4194 |
|                             | LH |  | BAC4195 |
| <b>13. Centre bracket*</b>  |    |  | BAC1362 |
| <b>14. Foglamp bracket*</b> | RH |  | BAC2704 |
|                             | LH |  | BAC2705 |
| <b>15. Fixing washer*</b>   |    |  | BAC1357 |
| <b>16. Convex washer*</b>   |    |  | BD44645 |
| <b>17. Fixing stud*</b>     |    |  | BAC3074 |

\* Fitted to European specification models only

**Rear**

|                         |  |  |         |
|-------------------------|--|--|---------|
| <b>18. Rubber cover</b> |  |  |         |
| European markets        |  |  | BAC1337 |
| North American markets  |  |  | BAC1151 |



# Series 3 Bumpers

Buy on-line at [www.sngbarratt.com](http://www.sngbarratt.com)

|                                   |    |          |
|-----------------------------------|----|----------|
| <b>19. End capping</b>            | RH | BAC2516  |
|                                   | LH | BAC2517  |
| <b>20. Armature</b>               |    |          |
| European markets                  |    | BAC1338  |
| North American markets            |    | BAC1622  |
| <b>21. Support plate</b>          | RH | BAC2530  |
|                                   | LH | BAC2531  |
| <b>22. Chrome quarter section</b> | RH | BEC12648 |
|                                   | LH | BEC12649 |
| <b>23. Centre chrome</b>          |    | BBC5181  |
| <b>24. Joining rubber</b>         |    | BD429092 |
| <b>25. Clip*</b>                  |    | BD48049  |
| <b>26. Clip*</b>                  |    | BD21962  |
| <b>27. Blanking plate*</b>        |    | BAC1461  |

\* Fitted to European specification models only

|                                  |    |         |
|----------------------------------|----|---------|
| <b>28. Side mounting bracket</b> |    | BAC1365 |
| <b>29. Corner bracket</b>        | RH | BD44707 |
|                                  | LH | BD44708 |
| <b>30. Angle bracket</b>         | RH | BAC2659 |
|                                  | LH | BAC2658 |
| <b>31. Fixing stud*</b>          |    | BAC3074 |
| <b>32. Convex washer*</b>        |    | BD44645 |
| <b>33. Fixing washer*</b>        |    | BAC1357 |
| <b>34. Bracket*</b>              |    | BAC1364 |

\* Fitted to European specification models only

|  |          |
|--|----------|
| <b>35. Impact absorber front &amp; rear+</b> | BD48649  |
| <b>36. Strut bush+</b>                       | BEC14957 |

+ Fitted to North American market models only

|                             |       |      |       |
|-----------------------------|-------|------|-------|
| <b>37. Bumper bolt kits</b> |       |      |       |
| Front                       | BBK28 | Rear | BBK29 |



+44 (0) 1746 765432  
sales.uk@sngbarratt.com



+1 603 622 1050  
sales.usa@sngbarratt.com



+33 3 85 201 420  
sngbarratt.france@wanadoo.fr

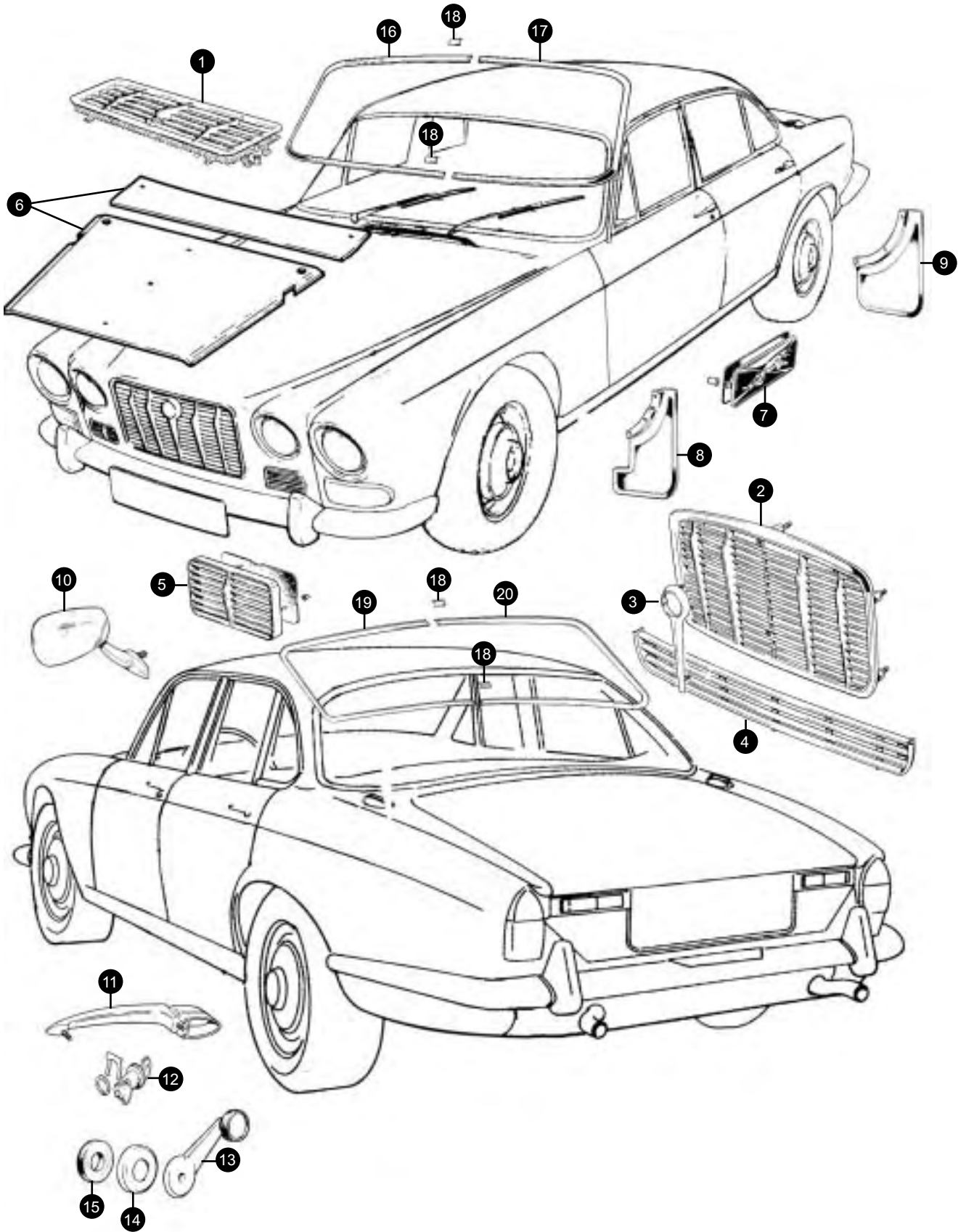


+31 13 52 11 552  
verkoop@sngbarratt.com



# Series 1 Body Fittings

Buy on-line at [www.sngbarratt.com](http://www.sngbarratt.com)



# Series 1 Body Fittings

Buy on-line at [www.sngbarratt.com](http://www.sngbarratt.com)

|                                    |                  |         |   |                                      |              |             |   |
|------------------------------------|------------------|---------|---|--------------------------------------|--------------|-------------|---|
| <b>1. Scuttle vent</b>             |                  | BD29280 | 1 | <b>11. Door handle</b>               | RH           | BD40708     | 2 |
| <b>2. Radiator grille</b>          |                  |         |   |                                      | LH           | BD40709     | 2 |
| Jaguar XJ6                         | no centre vane   | BD31382 | 1 | <b>12. Door lock</b>                 | RH           | BD44149     | 1 |
| Jaguar XJ12                        | with centre vane | BD38895 | 1 |                                      | LH           | BD44150     | 1 |
|                                    |                  |         |   |                                      | matched pair | BD44149/50* |   |
| Daimler Sovereign/Daimler Double 6 |                  | BD36625 | 1 | <b>13. Winder handle</b>             |              | BD31759     | 4 |
| RH vane set                        |                  | BD36626 | 1 | <b>14. Escutcheon</b>                |              | BD32354     | 4 |
| LH vane set                        |                  | BD36627 | 1 | <b>15. Fibre washer</b>              |              | BD36122     | 4 |
| <b>3. Centre vane</b>              | Jaguar XJ6       | BD31384 | 1 | <b>16. Windscreen chrome RH</b>      |              |             |   |
|                                    |                  |         |   |                                      | Early thick  | BD31158     | 1 |
| <b>4. Lower grille</b>             |                  | BD29018 | 1 |                                      | Later thin   | BD37298     | 1 |
| <b>5. Wing grille</b>              |                  | BD30582 | 2 | <b>17. Windscreen chrome LH</b>      |              |             |   |
| <b>6. Bonnet insulation kit</b>    |                  | U2117   | 1 |                                      | Early thick  | BD31159     | 1 |
| <b>7. Wing badge</b>               |                  |         |   |                                      | Later thin   | BD37299     | 1 |
| Jaguar                             | RH               | BD35865 | 1 | <b>18. Screen chrome joiner clip</b> |              |             |   |
|                                    | LH               | BD35866 | 1 |                                      | Early thick  | BD19837     | 4 |
| Rubber gasket                      |                  | BD38887 | 2 |                                      | Later thin   | BD5366/1    | 4 |
| Fastener                           |                  | BD26989 | 4 | <b>19. Rear screen chrome RH</b>     |              |             |   |
| <b>8. Front mudflap kit</b>        |                  | JLM345  | 1 |                                      | Early thick  | BD30727     | 1 |
| <b>9. Rear mudflap kit</b>         |                  | JLM9508 | 1 |                                      | Later thin   | BD37296     | 1 |
| <b>10. Manual door mirror</b>      | RH               | C30827  | 1 | <b>20. Rear screen chrome LH</b>     |              |             |   |
|                                    | LH               | C28517  | 1 |                                      | Early thick  | BD30728     | 1 |
|                                    |                  |         |   |                                      | Later thin   | BD37297     | 1 |



+44 (0) 1746 765432  
sales.uk@sngbarratt.com



+1 603 622 1050  
sales.usa@sngbarratt.com



+33 3 85 201 420  
sngbarratt.france@wanadoo.fr

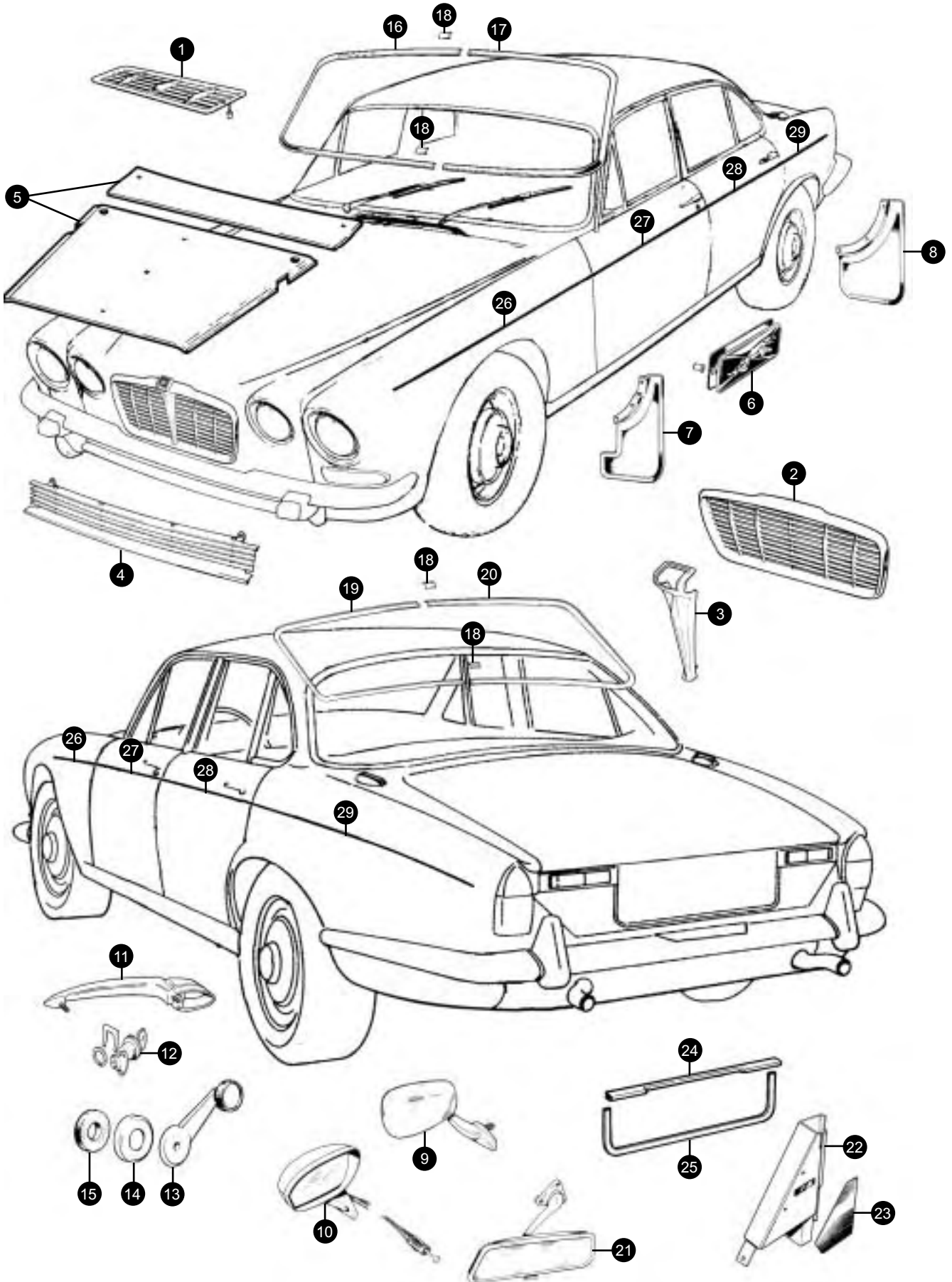


+31 13 52 11 552  
verkoop@sngbarratt.com



# Series 2 Body Fittings

Buy on-line at [www.sngbarratt.com](http://www.sngbarratt.com)



## Series 2 Body Fittings

Buy on-line at [www.sngbarratt.com](http://www.sngbarratt.com)

|                                       |  |             |   |
|---------------------------------------|--|-------------|---|
| <b>1. Scuttle vent</b>                |  | BD29280     | 1 |
| <b>2. Radiator grille</b>             | Jaguar XJ6                               | BD42173     | 1 |
|                                       | Jaguar XJ12                              | BD42173     | 1 |
|                                       | Daimler Sovereign/<br>Daimler Double Six | BD42301     | 1 |
|                                       | RH vane set                              | BD42335     | 1 |
|                                       | LH vane set                              | BD42336     | 1 |
| <b>3. Centre vane</b>                 | Jaguar XJ6                               | BD42370     | 1 |
|                                       | Jaguar XJ12                              | BD42371     | 1 |
| <b>4. Lower grille</b>                | Single fan                               | BD42447     | 1 |
|                                       | Twin fan                                 | BD43345     | 1 |
| <b>5. Bonnet insulation kit</b>       |  | U2117       | 1 |
| <b>6. Wing badge</b>                  |  |             |   |
| Jaguar                                | RH                                       | BD35865     | 1 |
|                                       | LH                                       | BD35866     | 1 |
| Rubber gasket                         |  | BD38887     | 2 |
| Fastener                              |  | BD26989     | 4 |
| <b>7. Front mudflap kit</b>           |  | JLM345      | 1 |
| <b>8. Rear mudflap kit</b>            |  | JLM9508     | 1 |
| <b>9. Manual door mirror</b>          |  |             |   |
|                                       | RH                                       | C30827      | 1 |
|                                       | LH                                       | C28517      | 1 |
| <b>10. Remote control door mirror</b> |  |             |   |
| 2 & 4 door                            | RH                                       | BD41463     | 1 |
|                                       | LH                                       | BD40822     | 1 |
| <b>11. Door handle</b>                | RH                                       | BD40708     | 2 |
|                                       | LH                                       | BD40709     | 2 |
| <b>12. Door lock</b>                  | RH                                       | BD44149     | 1 |
|                                       | LH                                       | BD44150     | 1 |
|                                       | matched pair                             | BD44149/50* |   |
| <b>13. Winder handle</b>              |  | BD31759     | 4 |
| <b>14. Escutcheon</b>                 |  | BD32354     | 4 |



|   |    |          |   |
|---|----|----------|---|
| <b>15. Fibre washer</b>                 |    | BD36122  | 4 |
| <b>16. Windscreen chrome RH</b>         |    | BD37298  | 1 |
| <b>17. Windscreen chrome LH</b>         |    | BD37299  | 1 |
| <b>18. Screen chrome joiner clip</b>    |    | BD5366/1 | 4 |
| <b>19. Rear screen chrome RH</b>        |    | BD37296  | 1 |
| <b>20. Rear screen chrome LH</b>        |    | BD37297  | 1 |
| <b>21. Rear view mirror</b>             |    | C37680   | 1 |
| <b>22. Door window quadrant support</b> |    |          |   |
| Coupe models                            | RH | BD42824  | 1 |
|   | LH | BD42825  | 1 |
| <b>23. Plastic quadrant cover</b>       |    |          |   |
|   | RH | BD42883  | 1 |
|   | LH | BD42884  | 1 |
| <b>24. Boot lid trim</b>                |    | BD42082  | 1 |
| <b>25. Number plate trim</b>            |    | BD34572  | 1 |
| <b>26. Front wing chrome strip</b>      |    |          |   |
| All models                              | RH | BD41409  | 1 |
|   | LH | BD41410  | 1 |
| <b>27. Front door chrome strip</b>      |    |          |   |
| 4 door                                  | RH | BD41405  | 1 |
|   | LH | BD41406  | 1 |
| Coupe                                   | RH | BD47661  | 1 |
|   | LH | BD47662  | 1 |
| <b>28. Rear door chrome strip</b>       |    |          |   |
| 4 door                                  | RH | BD41407  | 1 |
|   | LH | BD41408  | 1 |
| <b>29. Rear wing chrome strip</b>       |    |          |   |
| 4 door                                  | RH | BD41410  | 1 |
|   | LH | BD41409  | 1 |
| Coupe                                   | RH | BD47663  | 1 |
|   | LH | BD47664  | 1 |



+44 (0) 1746 765432  
sales.uk@sngbarratt.com



+1 603 622 1050  
sales.usa@sngbarratt.com



+33 3 85 201 420  
sngbarratt.france@wanadoo.fr



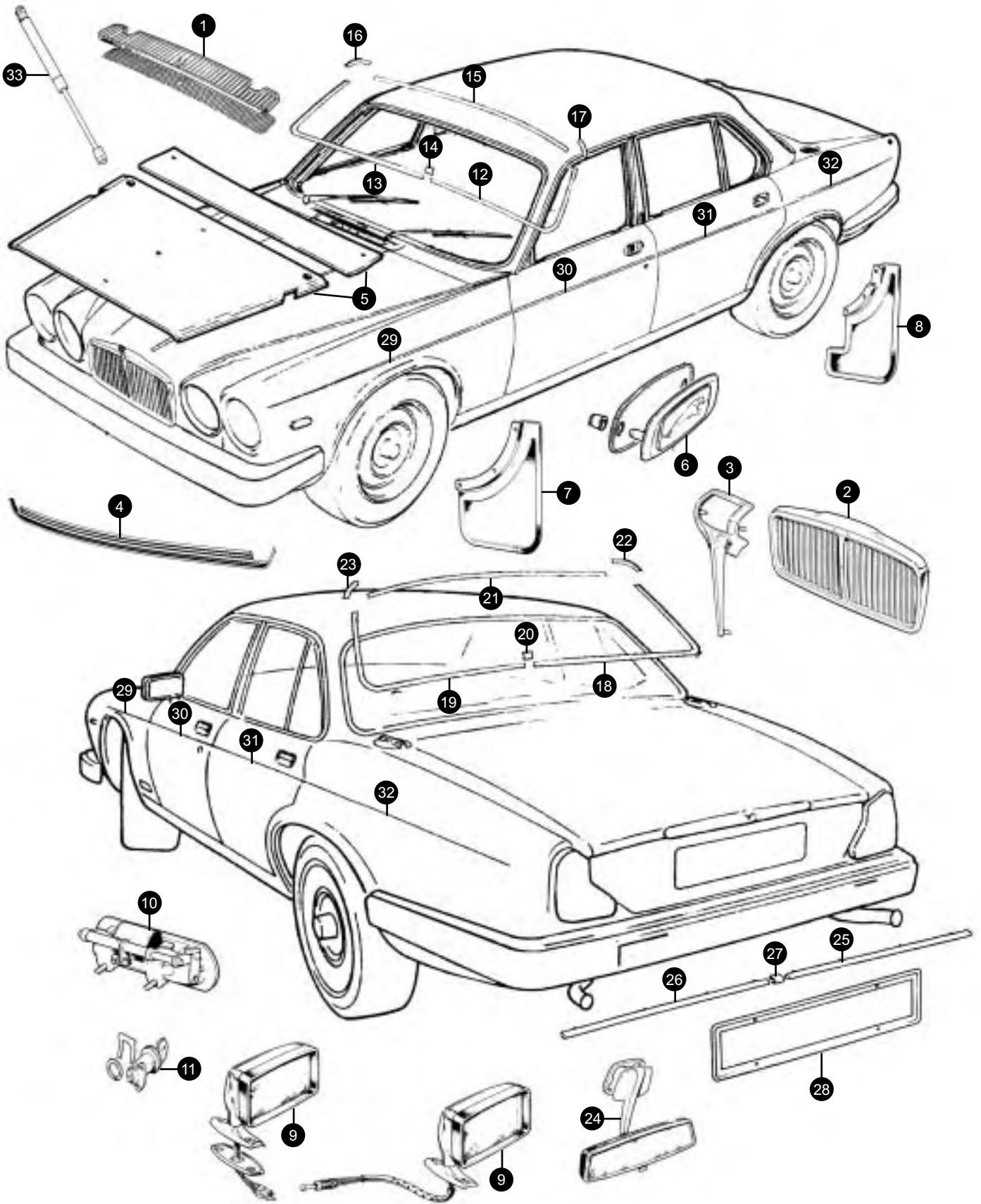
+31 13 52 11 552  
verkoop@sngbarratt.com





# Series 3 Body Fittings

Buy on-line at [www.sngbarratt.com](http://www.sngbarratt.com)





# Series 3 Body Fittings

Buy on-line at [www.sngbarratt.com](http://www.sngbarratt.com)

|                                 |               |         |   |
|---------------------------------|---------------|---------|---|
| <b>1. Scuttle vent Gauze</b>    |               | BAC1020 | 1 |
|                                 |               | BAC1021 | 1 |
| <b>2. Radiator grille</b>       |               |         |   |
| Jaguar models                   |               | BAC1573 | 1 |
| Daimler models                  | Early         | BD42301 | 1 |
|                                 | Late          | BAC5237 | 1 |
|                                 | RH vane set   | BD42335 | 1 |
|                                 | LH vane set   | BD42336 | 1 |
| <b>3. Centre vane</b>           | Jaguar models | BAC1063 | 1 |
| <b>4. Lower grille</b>          |               | BAC2479 | 1 |
| <b>5. Bonnet insulation kit</b> |               | U2118   | 1 |
| <b>6. Wing badge</b>            |               |         |   |
| <u>Jaguar models</u>            |               |         |   |
| to VIN 343677                   | RH            | BAC2802 | 1 |
|                                 | LH            | BAC2803 | 1 |
| Rubber gasket                   |               | BD38887 | 2 |
| Fastener                        |               | BD26989 | 4 |
| VIN 343678 on                   | RH            | BEC9656 | 1 |
|                                 | LH            | BEC9657 | 1 |
| Rubber gasket                   |               | BAC4329 | 2 |
| Fastener                        |               | BD26989 | 4 |
| <u>Daimler models</u>           |               | BEC9655 | 2 |
| Rubber gasket                   |               | BAC4329 | 2 |
| Fastener                        |               | BD26989 | 4 |
| <b>7. Front mudflap kit</b>     |               | JLM345  | 1 |
| <b>8. Rear mudflap kit</b>      |               | JLM9508 | 1 |

## 9. Door mirrors

There are a multitude of RHD, LHD, manual & electric versions available for worldwide markets. Please call with your VIN number and we will be pleased to determine the exact mirror for your car.

|                        |              |           |   |
|------------------------|--------------|-----------|---|
| <b>10. Door handle</b> | RHF          | BAC3842   | 1 |
|                        | LHF          | BAC3843   | 1 |
|                        | RHR          | BAC3844   | 1 |
|                        | LHR          | BAC3845   | 1 |
| <b>11. Door lock</b>   | RH           | BAC1486   | 1 |
|                        | LH           | BAC1487   | 1 |
|                        | matched pair | BAC1486/7 | 1 |

## Windscreen chromes

|   |  |         |   |
|---|--|---------|---|
| <b>12. Lower RH windscreen chrome</b>     |  | BAC1026 | 1 |
| <b>13. Lower LH windscreen chrome</b>     |  | BAC1027 | 1 |
| <b>14. Lower centre chrome joiner</b>     |  | BAC5098 | 1 |
| <b>15. Upper centre windscreen chrome</b> |  | BAC1028 | 1 |
| <b>16. Upper RH windscreen chrome</b>     |  | BAC2150 | 1 |
| <b>17. Upper LH windscreen chrome</b>     |  | BAC2151 | 1 |

## Rear screen chromes

|                                       |  |         |   |
|---------------------------------------|--|---------|---|
| <b>18. Lower RH windscreen chrome</b> |  | BAC1692 | 1 |
| <b>19. Lower LH windscreen chrome</b> |  | BAC1693 | 1 |

|   |        |          |   |
|---|--------|----------|---|
| <b>20. Lower centre chrome joiner</b>     |        | BAC5098  | 1 |
| <b>21. Upper centre windscreen chrome</b> |        | BAC1694  | 1 |
| <b>22. Upper RH windscreen chrome</b>     |        | BAC1696  | 1 |
| <b>23. Upper LH windscreen chrome</b>     |        | BAC1697  | 1 |
| <b>24. Rear view mirror</b>               |        |          |   |
| to VIN 346687                             |        | BAC1426  | 1 |
| VIN 346688 on                             |        | BCC4090  | 1 |
| <b>25. Boot lid trim</b>                  | RH     | BAC1835  | 1 |
| <b>26. Boot lid trim</b>                  | LH     | BAC1834  | 1 |
| <b>27. Boot lid trim</b>                  | centre | BAC2726  | 1 |
| <b>28. Number plate trim</b>              |        | JLM20603 | 1 |
| <b>29. Front wing chrome strip</b>        |        |          |   |
| All models                                | RH     | BD41409  | 1 |
|   | LH     | BD41410  | 1 |
| <b>30. Front door chrome strip</b>        |        |          |   |
| All models                                | RH     | BD41408  | 1 |
|   | LH     | BD41407  | 1 |
| <b>31. Rear door chrome strip</b>         |        |          |   |
| All models                                | RH     | BD41407  | 1 |
|   | LH     | BD41408  | 1 |
| <b>32. Rear wing chrome strip</b>         |        |          |   |
| All models                                | RH     | BD41410  | 1 |
|   | LH     | BD41409  | 1 |
| <b>33. Bonnet gas strut</b>               |        | BAC4302  | 1 |



THE BEST JAGUAR EVER BUILT.

Breeding tells. While trends in automotive design come and go, the 1965 Jaguar XJ6 remains defiantly true to its heritage: lithe, graceful and utterly distinctive.



+44 (0) 1746 765432  
sales.uk@sngbarratt.com



+1 603 622 1050  
sales.usa@sngbarratt.com



+33 3 85 201 420  
sngbarratt.france@wanadoo.fr



+31 13 52 11 552  
verkoop@sngbarratt.com

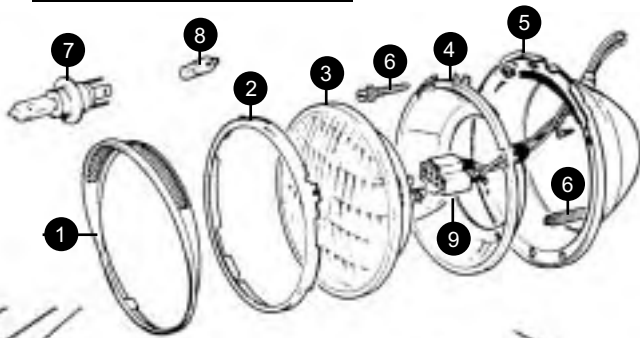


# Lamps & Lighting

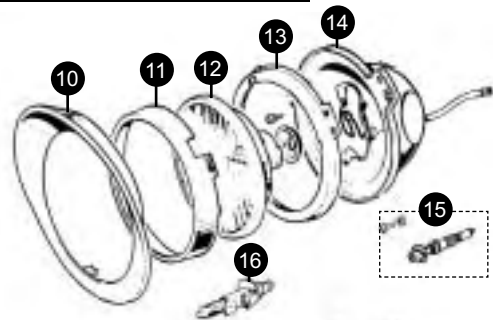
Buy on-line at [www.sngbarratt.com](http://www.sngbarratt.com)



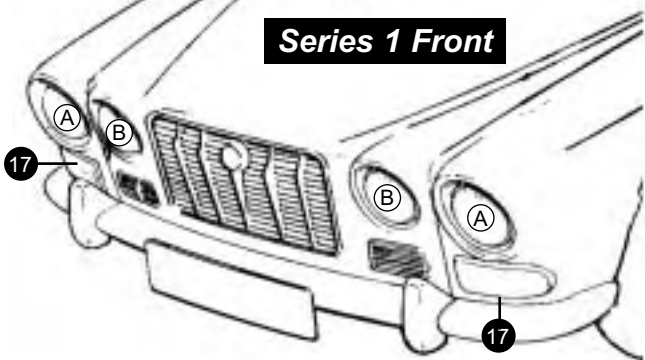
**(A) 7" Headlamp**



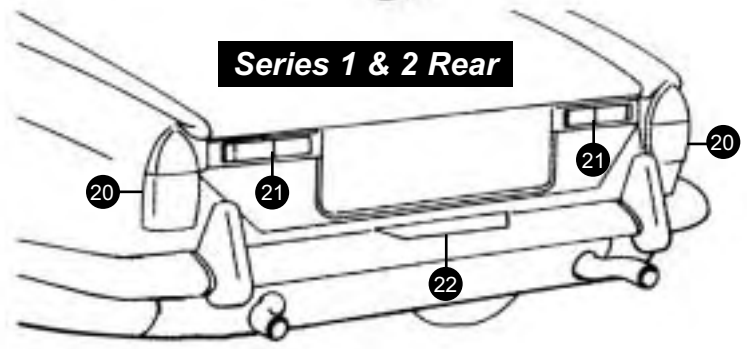
**(B) 5.75" Headlamp**



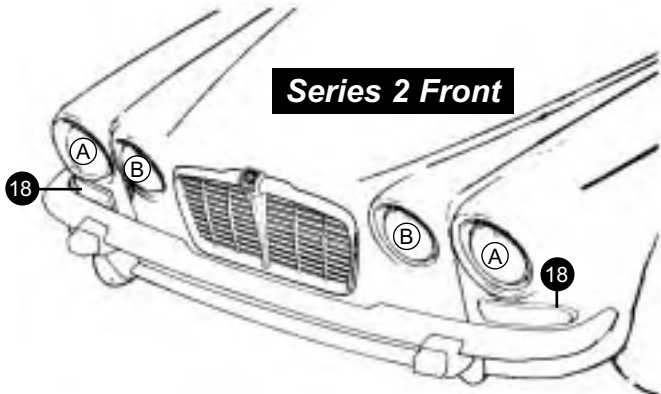
**Series 1 Front**



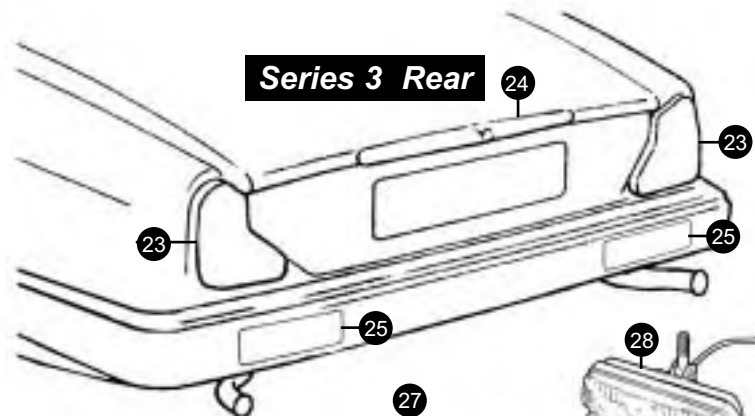
**Series 1 & 2 Rear**



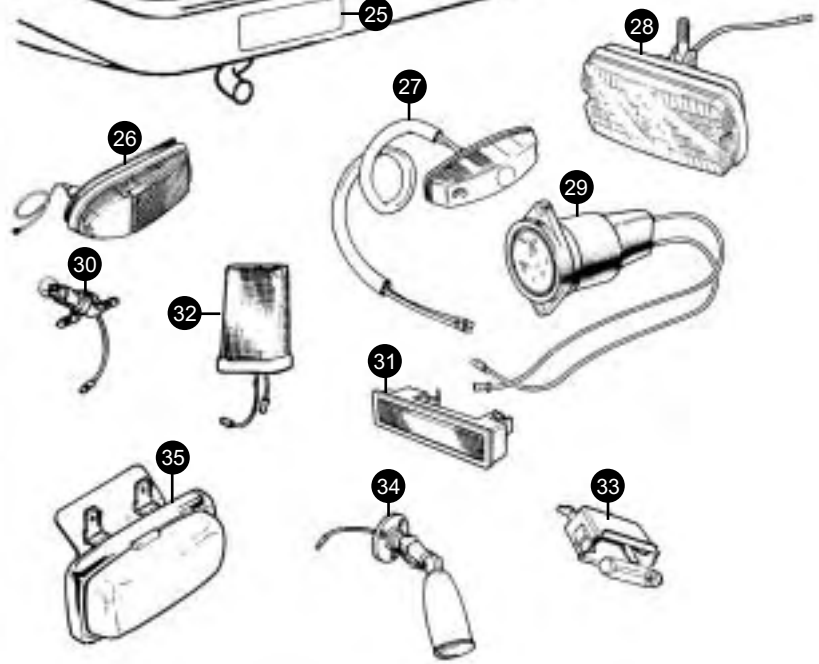
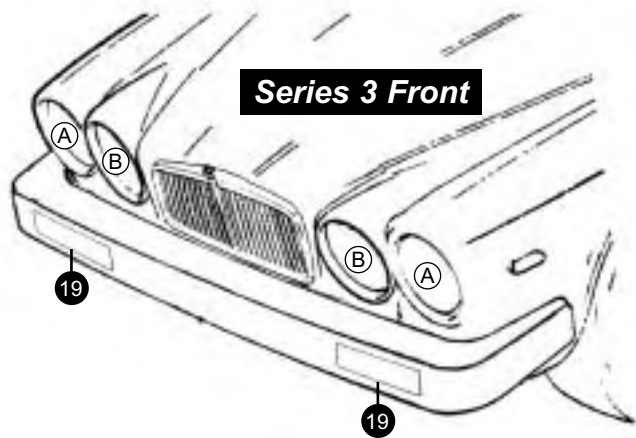
**Series 2 Front**



**Series 3 Rear**



**Series 3 Front**



+44 (0) 1746 765432  
sales.uk@sngbarratt.com



+1 603 622 1050  
sales.usa@sngbarratt.com



+33 3 85 201 420  
sngbarratt.france@wanadoo.fr



+31 13 52 11 552  
verkoop@sngbarratt.com

# Lamps & Lighting

Buy on-line at [www.sngbarratt.com](http://www.sngbarratt.com)

## 7" Headlamp

### 1. Finisher rim

|          |                           |          |   |
|----------|---------------------------|----------|---|
| XJ S1    | without air intake grille | C18180   | 2 |
| XJ S/2/3 | with air intake grille    | DAC10680 | 2 |

### 2. Retaining rim

|         |   |
|---------|---|
| 515218J | 2 |
|---------|---|

### 3. Light unit

#### Standard sealed beam

|     |                  |         |   |
|-----|------------------|---------|---|
| RHD | with sidelamp    | JLM9607 | 2 |
|     | without sidelamp | JLM9602 | 2 |

|     |                  |         |   |
|-----|------------------|---------|---|
| LHD | without sidelamp | JLM9604 | 2 |
|-----|------------------|---------|---|

#### H4 halogen

|     |               |         |   |
|-----|---------------|---------|---|
| RHD | with sidelamp | JLM9617 | 2 |
| LHD | with sidelamp | JLM9618 | 2 |

#### H4 halogen conversion kits - all you need to convert to H4

|     |                  |         |       |
|-----|------------------|---------|-------|
| RHD | with sidelamp    | SBS9152 | 1 kit |
|     | without sidelamp | SBS9150 | 1 kit |

|     |                  |         |       |
|-----|------------------|---------|-------|
| LHD | with sidelamp    | SBS9153 | 1 kit |
|     | without sidelamp | SBS9151 | 1 kit |

### 4. Shroud

|          |   |
|----------|---|
| 27H6481  | 2 |
| 54522342 | 2 |
| SBS5001  | 2 |

### 6. Adjuster kit

|          |   |
|----------|---|
| BHM7058J | 2 |
|----------|---|

### 7. Main bulb

|            |          |   |
|------------|----------|---|
| Tungsten   | JLM9595  | 2 |
| Halogen H4 | DBC11404 | 2 |

### 8. Sidelamp bulb

|          |   |
|----------|---|
| DBC11380 | 2 |
|----------|---|

### 9. Wiring adaptor

|                                     |       |   |
|-------------------------------------|-------|---|
| Plastic type with pilot bulb holder | 12980 | 2 |
|-------------------------------------|-------|---|

#### Headlamp 5.75"

### 10. Finisher rim

|          |         |   |
|----------|---------|---|
| XJ6/XJ12 | DAC2115 | 2 |
|----------|---------|---|

### 11. Inner rim

|        |   |
|--------|---|
| 511598 | 2 |
|--------|---|

### 12. Light unit

|          |         |   |
|----------|---------|---|
| Tungsten | JLM571  | 2 |
| Halogen  | JLM9613 | 2 |

### 13. Retaining rim

|         |   |
|---------|---|
| AAU1448 | 2 |
|---------|---|

### 14. Bowl

|         |   |
|---------|---|
| SBS9173 | 2 |
|---------|---|

### 15. Adjuster kit

|        |   |
|--------|---|
| 520403 | 2 |
|--------|---|

### 16. Bulb

|            |          |   |
|------------|----------|---|
| H1 halogen | DBC11406 | 2 |
|------------|----------|---|

### 17. Series 1 - side/indicator lamp

|                 |    |        |   |
|-----------------|----|--------|---|
| Lamp - European | RH | C33944 | 1 |
|                 | LH | C33945 | 1 |

|                 |    |       |   |
|-----------------|----|-------|---|
| Lens - European | RH | 11717 | 1 |
|                 | LH | 11720 | 1 |

|                |           |   |
|----------------|-----------|---|
| Indicator bulb | DBC11382* | 2 |
|----------------|-----------|---|

|               |          |   |
|---------------|----------|---|
| Sidelamp bulb | JLM9601* | 2 |
|---------------|----------|---|

|                       |    |        |   |
|-----------------------|----|--------|---|
| Lamp - North American | RH | C34710 | 1 |
|                       | LH | C34711 | 1 |

|                       |    |       |   |
|-----------------------|----|-------|---|
| Lens - North American | RH | 12792 | 1 |
|                       | LH | 12793 | 1 |

|                |           |   |
|----------------|-----------|---|
| Indicator bulb | DBC11382* | 2 |
|----------------|-----------|---|

### 18. Series 2 - side/indicator lamp

|                |    |        |   |
|----------------|----|--------|---|
| Lamp- European | RH | C40159 | 1 |
| amber/white    | LH | C40160 | 1 |

|                |    |       |   |
|----------------|----|-------|---|
| Lens- European | RH | JS742 | 1 |
| amber/white    | LH | JS743 | 1 |

|                |    |         |   |
|----------------|----|---------|---|
| Lamp- European | RH | C39822  | 1 |
| amber          | LH | DAC1133 | 1 |

|                |    |         |   |
|----------------|----|---------|---|
| Lens- European | RH | AAU9834 | 1 |
| amber          | LH | AAU9835 | 1 |

|                |           |   |
|----------------|-----------|---|
| Indicator bulb | DBC11382* | 2 |
| Sidelamp bulb  | JLM9601*  | 2 |

|                       |    |        |   |
|-----------------------|----|--------|---|
| Lamp - North American | RH | C39822 | 1 |
| 1974 only             | LH | C39825 | 1 |

|                       |    |         |   |
|-----------------------|----|---------|---|
| Lens - North American | RH | AAU9834 | 1 |
| 1974 only             | LH | AAU9835 | 1 |

|                |           |   |
|----------------|-----------|---|
| Indicator bulb | DBC11382* | 2 |
| Sidelamp bulb  | JLM9601*  | 2 |

|                               |          |   |
|-------------------------------|----------|---|
| Lamp - North American 1975 on | DAC1039  | 2 |
| Lens - North American 1975 on | 37H8759J | 2 |

|                |           |   |
|----------------|-----------|---|
| Indicator bulb | DBC11383* | 2 |
|----------------|-----------|---|

### 19. Series 3 indicator lamp

|                |           |   |
|----------------|-----------|---|
| European       | DAC1138   | 2 |
| Indicator bulb | DBC11382* | 2 |

|                |           |   |
|----------------|-----------|---|
| North American | DAC1140   | 2 |
| Indicator bulb | DBC11383* | 2 |

### 20. Series 1 & 2 - rear lamp

|                  |    |        |   |
|------------------|----|--------|---|
| Lamp - red/amber | RH | C40065 | 1 |
|                  | LH | C40066 | 1 |

|                  |    |       |   |
|------------------|----|-------|---|
| Lens - red/amber | RH | 12681 | 1 |
|                  | LH | 12794 | 1 |

|                |    |        |   |
|----------------|----|--------|---|
| Lamp - red/red | RH | C35149 | 1 |
|                | LH | C35150 | 1 |

|                |    |       |   |
|----------------|----|-------|---|
| Lens - red/red | RH | 11736 | 1 |
|                | LH | 11737 | 1 |

|                      |           |     |
|----------------------|-----------|-----|
| Single filament bulb | DBC11382* | A/R |
| Twin filament bulb   | DBC11383* | A/R |



+44 (0) 1746 765432  
sales.uk@sngbarratt.com



+1 603 622 1050  
sales.usa@sngbarratt.com



+33 3 85 201 420  
sngbarratt.france@wanadoo.fr



+31 13 52 11 552  
verkoop@sngbarratt.com



# Lamps & Lighting

Buy on-line at [www.sngbarratt.com](http://www.sngbarratt.com)



## 21. Series 1 & 2 - reverse lamp

|      |    |          |   |
|------|----|----------|---|
| Lamp | RH | C35481   | 1 |
|      | LH | 54578764 | 1 |

|      |  |        |   |
|------|--|--------|---|
| Lens |  | JS345  | 2 |
| Bulb |  | GLB270 | 2 |

## 22. Series 1 & 2 - number plate lamp

|                           |  |         |   |
|---------------------------|--|---------|---|
| Series 1 all models early |  | C27550  | 1 |
| Lens                      |  | 11744   | 2 |
| Bulb                      |  | GLB 989 | 2 |

|                                |  |          |   |
|--------------------------------|--|----------|---|
| Jaguar series 1 late/Series 2  |  | C44950   | 1 |
| Daimler series 1 late/Series 2 |  | C44951   | 1 |
| Lens                           |  | DBC12441 | 2 |
| Bulb                           |  | DBC11381 | 2 |

## 23. Series 3 - rear lamp

|                  |    |         |   |
|------------------|----|---------|---|
| Lamp - amber/red | RH | DAC1142 | 1 |
|                  | LH | DAC1143 | 1 |

|                  |    |         |   |
|------------------|----|---------|---|
| Lens - amber/red | RH | AEU1344 | 1 |
|                  | LH | AEU1343 | 1 |

|               |    |         |   |
|---------------|----|---------|---|
| Lamp- red/red | RH | DAC1144 | 1 |
|               | LH | DAC1145 | 1 |

|                |    |         |   |
|----------------|----|---------|---|
| Lens - red/red | RH | AEU1342 | 1 |
|                | LH | AEU1341 | 1 |

|       |  |           |   |
|-------|--|-----------|---|
| Bulbs |  | DBC11711  | 1 |
|       |  | DBC11382* | 3 |

## 24. Series 3 - number plate lamp

|                   |  |         |   |
|-------------------|--|---------|---|
| Lamp- Jaguar      |  | DAC1591 | 1 |
| Lamp - Daimler    |  | DAC1592 | 1 |
| Lens - all models |  | JLM230  | 2 |

## 25. Series 3- rear fog lamp

|              |  |         |   |
|--------------|--|---------|---|
| Lamp - Lucas |  | DAC2695 | 2 |
| Lens - Lucas |  | AEU4004 | 2 |

|              |  |         |   |
|--------------|--|---------|---|
| Lamp - Bosch |  | DAC1855 | 2 |
| Lens - Bosch |  | AEU1590 | 2 |

|      |  |           |   |
|------|--|-----------|---|
| Bulb |  | DBC11382* | 2 |
|------|--|-----------|---|

## 26. Side marker lamps

|                   |     |         |   |
|-------------------|-----|---------|---|
| Series 1/2 - Lamp | RHF | BHA4968 | 1 |
|                   | LHF | BHA4969 | 1 |
|                   | RHR | DAC1768 | 1 |
|                   | LHR | C33656  | 1 |

|                   |     |       |   |
|-------------------|-----|-------|---|
| Series 1/2 - Lens | RHF | 11727 | 1 |
|                   | LHF | 11730 | 1 |
|                   | RHR | 11731 | 1 |
|                   | LHR | 11732 | 1 |

|                 |     |         |   |
|-----------------|-----|---------|---|
| Series 3 - Lamp | RHF | BHA4968 | 1 |
|                 | LHF | BHA4969 | 1 |
|                 | RHR | BHA4970 | 1 |
|                 | LHR | BHA4971 | 1 |

|                 |     |       |   |
|-----------------|-----|-------|---|
| Series 3 - Lens | RHF | 12323 | 1 |
|                 | LHF | 12322 | 1 |
|                 | RHR | 11731 | 1 |
|                 | LHR | 11732 | 1 |

|      |  |          |   |
|------|--|----------|---|
| Bulb |  | JLM9601* | 4 |
|------|--|----------|---|

## 27. Side repeater lamp

|      |  |          |   |
|------|--|----------|---|
| Lens |  | DAC4820  | 2 |
| Bulb |  | 27H2403J | 2 |
|      |  | DBC11380 | 2 |

## 28. Front foglamp

|                   |    |         |   |
|-------------------|----|---------|---|
| Lens              |    | DAC4315 | 2 |
| Bulb              |    | JLM1012 | 2 |
|                   |    | JLM9588 | 2 |
| Mounting brackets | RH | BAC2704 | 1 |
|                   | LH | BAC2705 | 1 |

## 29. Door warning lamp

|              |  |          |   |
|--------------|--|----------|---|
| Black bezel  |  | DAC3015  | 4 |
| Silver bezel |  | AGU1106  | 4 |
| Bulb         |  | DBC11380 | 4 |

## 30. Series 1 & 2 - boot lamp

|      |  |          |   |
|------|--|----------|---|
| Bulb |  | C18778   | 1 |
|      |  | JLM9601* | 1 |

## 31. Series 3 - boot lamp

|      |  |            |   |
|------|--|------------|---|
| Bulb |  | DAC1659    | 1 |
|      |  | LNA5180AA* | 1 |

## 32. Interior lamps

|             |  |            |   |
|-------------|--|------------|---|
| S1/2 4 door |  | JLM9707    | 2 |
| Bulb        |  | LNA5180AA* | 2 |

|          |  |         |   |
|----------|--|---------|---|
| S2 coupe |  | C38498  | 2 |
| Bulb     |  | JLM9591 | 2 |

|          |  |            |   |
|----------|--|------------|---|
| S3 early |  | JLM9707    | 2 |
| Bulb     |  | LNA5180AA* | 2 |

|         |    |         |   |
|---------|----|---------|---|
| S3 late | RH | DAC4112 | 1 |
|         | LH | DAC4111 | 1 |
| Bulb    |    | C31106  | 2 |

## 33. Series 1 & 2 - map lamp

|      |  |        |   |
|------|--|--------|---|
| Bulb |  | C27999 | 1 |
|      |  | JLM293 | 1 |

## 34. Rear 1/4 reading lamp (optional)

|      |  |          |   |
|------|--|----------|---|
| Lens |  | C36055   | 2 |
|      |  | JLM20191 | 2 |
| Bulb |  | DBC11380 | 2 |

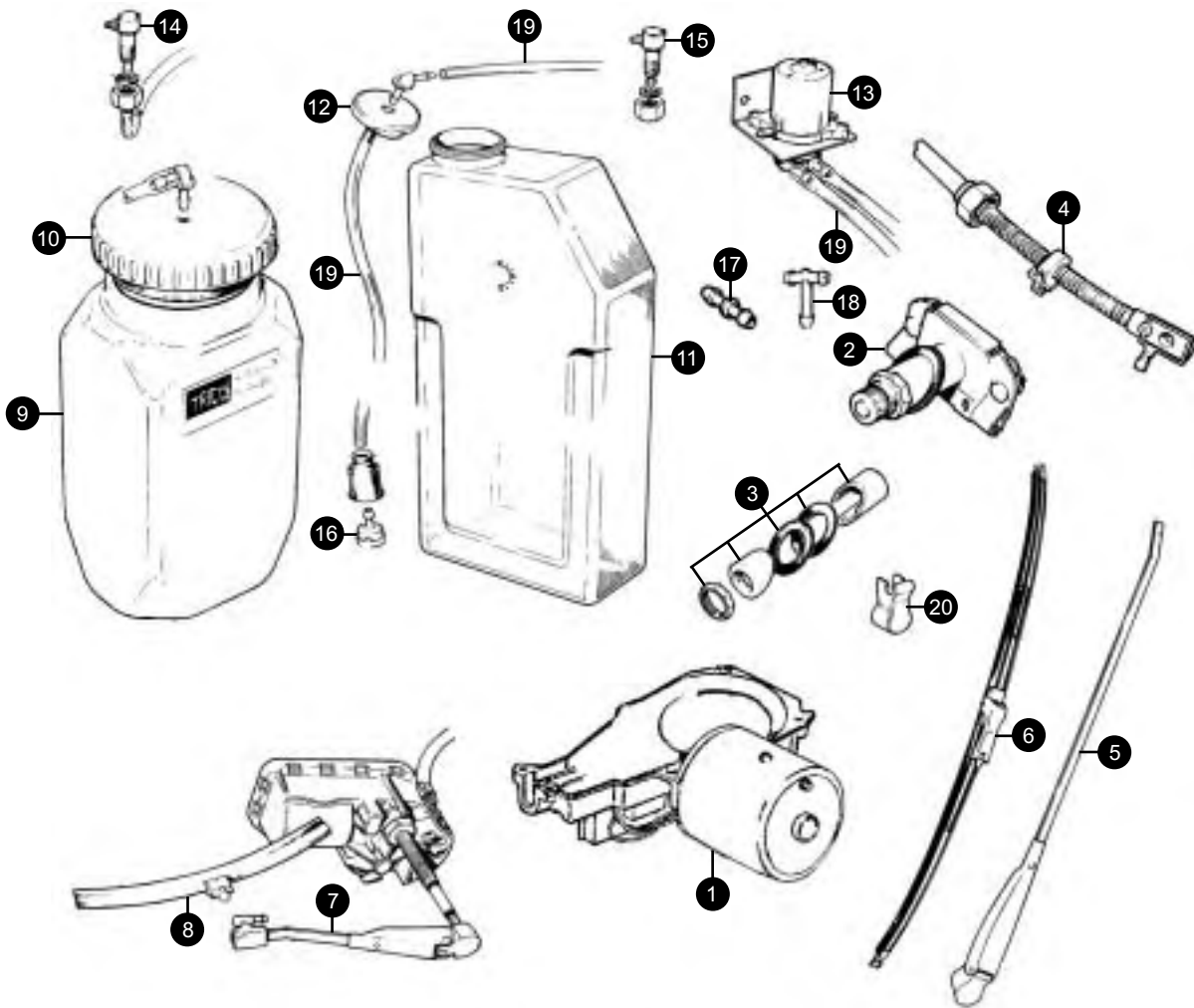
## 35. Series 3 - glove box lamp

|                     |  |            |   |
|---------------------|--|------------|---|
| Early to VIN 369381 |  | C31096     | 1 |
| Late VIN 369382 on  |  | DAC3317    | 1 |
| Bulb                |  | LNA5180AA* | 1 |



# Wash Wipe Components

Buy on-line at [www.sngbarratt.com](http://www.sngbarratt.com)



### 1. Wiper motor

|    |            |   |
|----|------------|---|
| S1 | LRW135     | 1 |
| S2 | JLM9537E   | 1 |
| S3 | JLM10632N* | 1 |

### 2. Wiper wheelbox

|            |         |   |
|------------|---------|---|
| S1/2 early | C40090  | 2 |
| S2 late    | C40090  | 2 |
| S3         | AEU2589 | 2 |

### 3. Wiper wheelbox escutcheon kit

|       |         |   |
|-------|---------|---|
| S1/S2 | AAU3079 | 2 |
| S3    | RTC2881 | 2 |

### 4. Wiper rack

|       |         |   |
|-------|---------|---|
| S1/S2 | 12454   | 1 |
| S3    | AEU1727 | 1 |

### 5. Wiper arm

|             |    |       |   |
|-------------|----|-------|---|
| <u>S1/2</u> |    |       |   |
| RHD         | RH | 12442 | 1 |
|             | LH | 12443 | 1 |
|             |    |       |   |
| LHD         | RH | 12444 | 1 |
|             | LH | 12442 | 1 |

### S3 early

|     |    |         |   |
|-----|----|---------|---|
| RHD | RH | DAC2146 | 1 |
|     | LH | DAC2147 | 1 |
|     |    |         |   |
| LHD | RH | DAC2147 | 1 |
|     | LH | DAC2145 | 1 |

### 6. Wiper blade

|                                       |              |          |   |
|---------------------------------------|--------------|----------|---|
| S1/2                                  | grey finish  | 12441*   | 2 |
|                                       | black finish | DAC1766  | 2 |
|                                       |              |          |   |
| S3 early (requires pin kit 772042WHF) |              | DAC6135* | 2 |
| S3 late                               |              | DAC6135  | 2 |

### 7. Headlamp wiper arm

|    |    |         |   |
|----|----|---------|---|
| S3 | RH | DAC1662 | 1 |
|    | LH | DAC1663 | 1 |

### 8. Headlamp wiper blade

|    |  |         |   |
|----|--|---------|---|
| S3 |  | DAC1664 | 2 |
|----|--|---------|---|

### 9. Washer bottle

|    |       |        |   |
|----|-------|--------|---|
| S1 | early | C28008 | 1 |
|----|-------|--------|---|

### 10. Washer bottle filler cap

|    |       |       |   |
|----|-------|-------|---|
| S1 | early | 11676 | 1 |
|----|-------|-------|---|



+44 (0) 1746 765432  
sales.uk@sngbarratt.com



+1 603 622 1050  
sales.usa@sngbarratt.com



+33 3 85 201 420  
sngbarratt.france@wanadoo.fr



+31 13 52 11 552  
verkoop@sngbarratt.com



# Wash Wipe Components

Buy on-line at [www.sngbarratt.com](http://www.sngbarratt.com)



|                              |             |          |   |
|------------------------------|-------------|----------|---|
| <b>11. Washer bottle</b>     |             |          |   |
| S1 late/S2/S3                |             | C36736   | 1 |
| <b>12. Washer bottle cap</b> |             |          |   |
| S1 late/S2/S3                |             | JLM9644  | 1 |
| <b>13. Washer pump</b>       |             |          |   |
| S1                           | alternative | GWW125   | 1 |
|                              | original    | C36850   | 1 |
| S2/3 early                   |             | UV1      | 1 |
| S3 late                      | alternative | GWW130   | 1 |
|                              | original    | JLM20122 | 1 |
| <b>14. Washer jet</b>        |             |          |   |
| S1/2/3 early                 |             | C38746   |   |

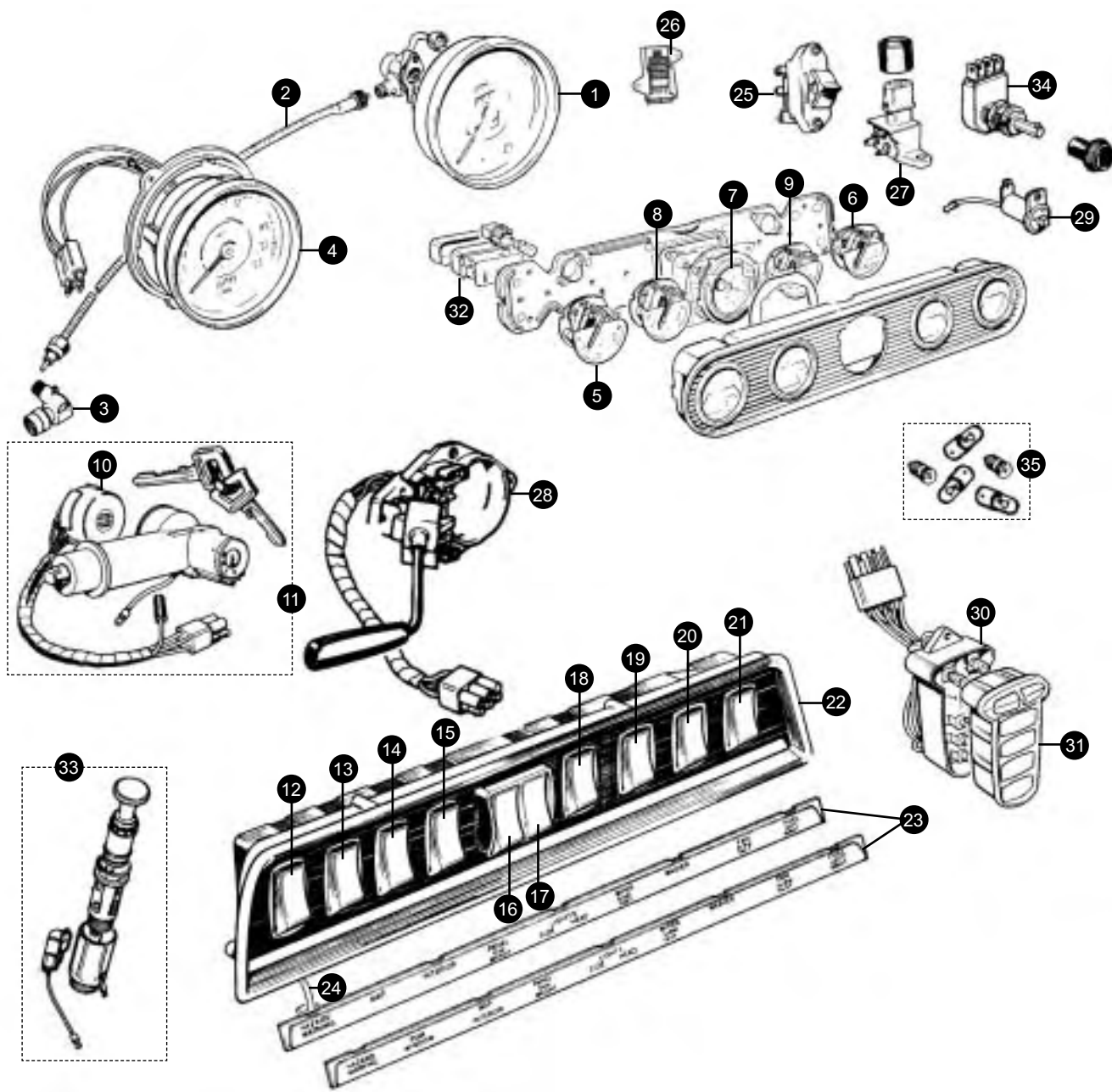
|  |       |         |     |
|--|-------|---------|-----|
| <b>15. Washer jet</b>                      |       |         |     |
| S3 late                                    |       | DAC2666 | 2   |
| <b>16. Washer tubing foot valve</b>        |       |         |     |
|  |       | GWW506  | 1   |
| <b>17. Washer tubing connector</b>         |       |         |     |
|  |       | C33835  | A/R |
| <b>18. Washer tubing T piece</b>           |       |         |     |
|  |       | C15644  | A/R |
| <b>19. Washer tubing sold by the metre</b> |       |         |     |
|  | Clear | SBS9900 | A/R |
|  | Green | SBS9901 | A/R |
| <b>20. Wiper arm cover</b>                 |       |         |     |
|  | Black | BAU1124 | 2   |

# THE XJ6 COUPE CONVERTIBLE



# Series 1 Switches & Gauges

Buy on-line at [www.sngbarratt.com](http://www.sngbarratt.com)



### 1. Speedometer

Reconditioning service only RB1001 1

### 2. Speedometer cable

XJ6 RHD C41071 1  
LHD C41072\* 1

### 3. Speedo angle drive (where fitted)

All models C24589 1

### 4. Rev counter

Reconditioning service only RB1001 1

### 5. Ammeter

XJ6 early chrome bezel C28047 1  
XJ6 late/XJ12 black bezel C34814 1

### 6. Fuel gauge

XJ6 early chrome bezel C28046 1  
XJ6 late/XJ12 black bezel C34815 1

### 7. Time clock

XJ6 early chrome bezel C28050 1  
XJ6 late/XJ12 black bezel C36249 1

### 8. Oil pressure gauge

XJ6 early chrome bezel C28048 1  
XJ6 late/XJ12 black bezel C31176 1

### 9. Water temperature gauge

XJ6 early chrome bezel C28049 1  
XJ6 late/XJ12 black bezel C31176 1



+44 (0) 1746 765432  
[sales.uk@sngbarratt.com](mailto:sales.uk@sngbarratt.com)



+1 603 622 1050  
[sales.usa@sngbarratt.com](mailto:sales.usa@sngbarratt.com)



+33 3 85 201 420  
[sngbarratt.france@wanadoo.fr](mailto:sngbarratt.france@wanadoo.fr)



+31 13 52 11 552  
[verkoop@sngbarratt.com](mailto:verkoop@sngbarratt.com)





# Series 1 Switches & Gauges

Buy on-line at [www.sngbarratt.com](http://www.sngbarratt.com)



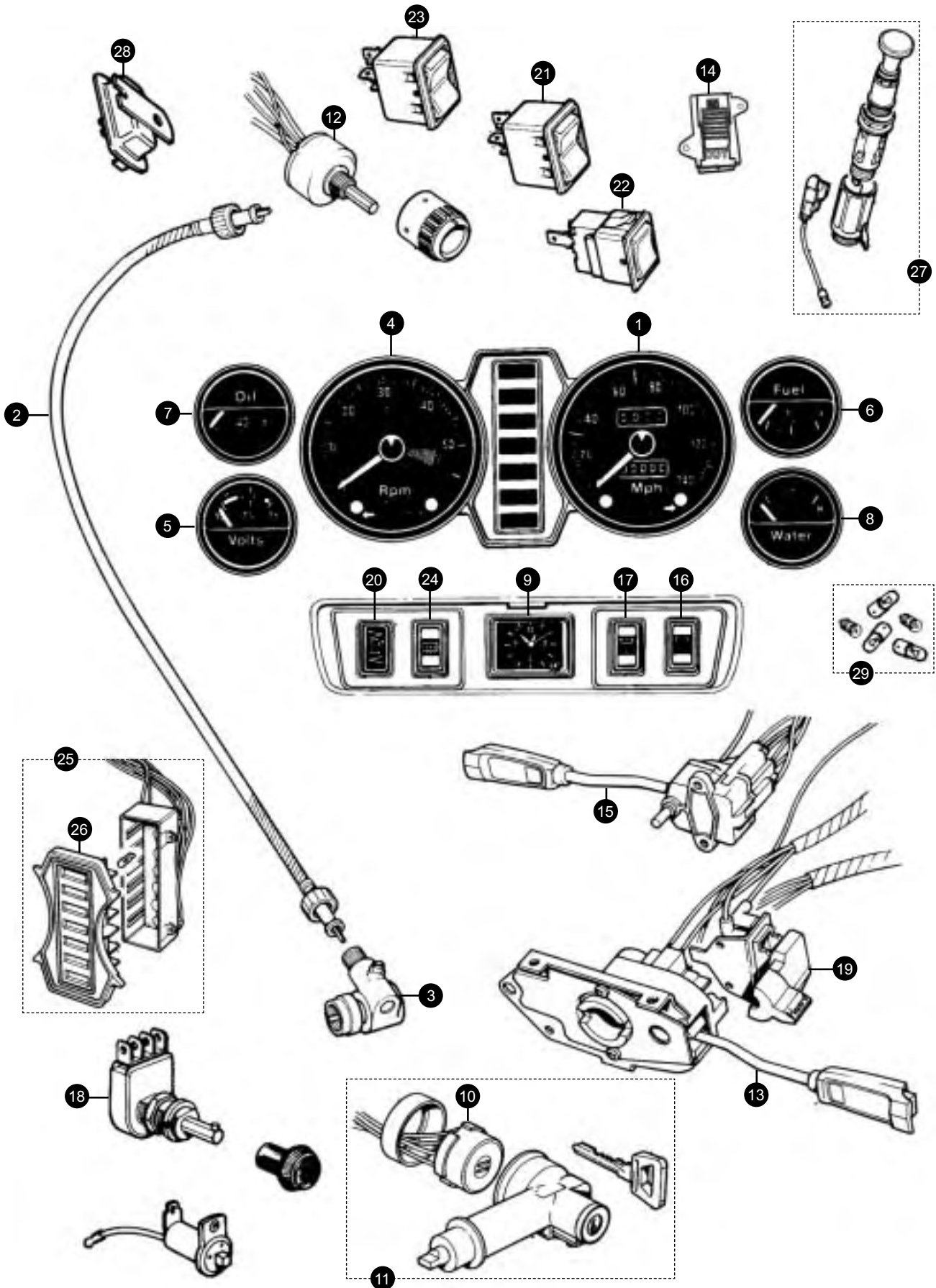
|  |          |         |   |
|--|----------|---------|---|
| <b>10. Steering column lock ignition switch</b>              |          |         |   |
| XJ6/12   | early    | C35845  | 1 |
| XJ6/12   | late     | DAC1422 | 1 |
| <b>11. Steering column lock and ignition switch assembly</b> |          |         |   |
| XJ6/12   | early    | C37102  | 1 |
| XJ6/12   | late     | DAC1419 | 1 |
| <b>12. Hazard warning switch</b>                             |          |         |   |
|  |          | C34683  | 1 |
| <b>13. Rear heated window switch</b>                         |          |         |   |
|  |          | C32849  | 1 |
| <b>14. Interior light/map light switch</b>                   |          |         |   |
| Interior only  |          | C34680  | 1 |
| Map/interior   |          | 39599   | 1 |
| <b>15. Panel light switch</b>                                |          |         |   |
|  |          | 39599   | 1 |
| <b>16. Sidelamp switch</b>                                   |          |         |   |
|  |          | C32850  | 1 |
| <b>17. Headlamp switch</b>                                   |          |         |   |
|  |          | C32849  | 1 |
| <b>18. Windscreen wiper</b>                                  |          |         |   |
|  |          | C33862  | 1 |
| <b>19. Windscreen washer switch</b>                          |          |         |   |
|  |          | C32852  | 1 |
| <b>20. Heater fan switch</b>                                 |          |         |   |
|  |          | 39600   | 1 |
| <b>21. Fuel tank changeover switch</b>                       |          |         |   |
|  |          | C34680  | 1 |
| <b>22. Switch surround assembly</b>                          |          |         |   |
|  |          | C28616  | 1 |
| <b>23. Switch indicator strip</b>                            |          |         |   |
| XJ6/12   | with HRW | C29261  | 1 |
| XJ6/12   | non HRW  | C29260  | 1 |

|  |  |         |   |
|--|--|---------|---|
| <b>24. Switch indicator strip retaining clip</b> |  |         |   |
| SBS3104  |  |         | 5 |
| <b>25. Electric window switch</b>                |  |         |   |
|  |  | C19083  | 6 |
| <b>26. Overdrive switch (on gearknob)</b>        |  |         |   |
|  |  | 39166   | 1 |
| <b>27. Headlamp dip switch</b>                   |  |         |   |
|  |  | RTC432J | 1 |
| <b>Rubber cap</b>                                |  |         |   |
|  |  | C22276  | 1 |
| <b>28. Indicator switch</b>                      |  |         |   |
|  |  | C35091  | 1 |
| <b>29. Courtesy light switch</b>                 |  |         |   |
| front  |  | C43304  | 2 |
| rear   |  | C39384  | 2 |
| <b>30. Warning light cluster assembly</b>        |  |         |   |
|  |  | C29239  | 1 |
| <b>31. Warning light cluster lens</b>            |  |         |   |
|  |  | 12945   | 1 |
| <b>32. Instrument panel voltage stabiliser</b>   |  |         |   |
|  |  | SBS6363 | 1 |
| <b>33. Cigar lighter</b>                         |  |         |   |
|  |  | C34863  | 1 |
| <b>34. Panel lamp dimmer rheostat</b>            |  |         |   |
|  |  | BHA5047 | 1 |
| <b>Knob</b>                                      |  |         |   |
|  |  | C37779  | 1 |
| <b>35. Dash bulbs</b>                            |  |         |   |
| Instrument binnacle                              |  | C30309  | 2 |
| Speedo & tachometer                              |  | C15788  | 5 |
| Warning light cluster                            |  | C41780  | 6 |
| Switch indicator strip                           |  | C15787  | 3 |



# Series 2 Switches & Gauges

Buy on-line at [www.sngbarratt.com](http://www.sngbarratt.com)



+44 (0) 1746 765432  
[sales.uk@sngbarratt.com](mailto:sales.uk@sngbarratt.com)



+1 603 622 1050  
[sales.usa@sngbarratt.com](mailto:sales.usa@sngbarratt.com)



+33 3 85 201 420  
[sngbarratt.france@wanadoo.fr](mailto:sngbarratt.france@wanadoo.fr)



+31 13 52 11 552  
[verkoop@sngbarratt.com](mailto:verkoop@sngbarratt.com)



# Series 2 Switches & Gauges

Buy on-line at [www.sngbarratt.com](http://www.sngbarratt.com)



## 1. Speedometer

Reconditioning service only RB1001 1

## 2. Speedometer cable

XJ6 4 speed early RHD C41071 1  
LHD C41072\* 1

XJ6 4 speed late RHD C44915 1  
LHD C44911 1

XJ6 5 speed RHD DAC1196 1  
LHD DAC1197 1

XJ6 auto BW models 12 & 35 RHD C41071 1  
LHD C41072\* 1

XJ6 auto BW model 65 RHD C44915 1  
LHD C44911 1

XJ12 early RHD C41071 1  
LHD C41072\* 1

XJ12 late RHD C46180 1  
LHD C46181 1

## 3. Speedometer cable angle drive (where fitted)

XJ6 C24589 1  
XJ12 early C24589 1  
late C46183 1

## 4. Rev counter

Reconditioning service only RB1002 1

## 5. Ammeter

XJ6/12 early chrome bezel C38543 1  
XJ6/12 late black bezel DAC1248 1

## 6. Fuel gauge

XJ6/12 early chrome bezel C38545 1  
XJ6/12 late black bezel DAC1250 1

## 7. Oil pressure gauge

XJ6/12 early chrome bezel C38542 1  
XJ6/12 late chrome bezel DAC1061 1  
XJ6/12 late black bezel DAC1252 1

## 8. Water temperature gauge

XJ6/12 early chrome bezel C38544R 1  
XJ6/12 late black bezel DAC1249 1

9. Time clock DAC1571\* 1

10. Steering column lock ignition switch DAC1422 1

11. Steering column lock and switch assembly DAC1419 1

## 12. Lighting switch

XJ6/12 early C38628 1  
XJ6/12 late C46318 1

## 13. Indicator switch

XJ6/12 early RHD C38904 1  
LHD C43171 1

XJ6/12 late RHD C45257 1  
LHD C45256 1

14. Overdrive switch on gearknob 39166 1

## 15. Windscreen wiper switch

XJ6/12 RHD DAC1244 1  
LHD DAC1245 1

16. Interior light switch C40124 1

17. Map light switch C40123 1

18. Panel light rheostat RTC2534 1

19. Hazard warning switch RHD C38908 1  
LHD C39949 1

20. Fuel tank changeover switch C40122 1

21. Electric window switch DAC1301 6

22. Electric window isolation switch C38637 1

23. Central locking switch DAC1301 1

24. Rear heated window switch C40125 1

## 25. Warning light cluster assembly

1st type 5th window brake warning C40085 1  
2nd type 5th window brake DAC1200 1  
3rd type all black surround DAC1263 1

## 26. Warning light cluster lens & cover

1st type 5th window brake warning RTC232 1  
2nd/3rd type 5th window brake DAC1289 1

27. Cigar lighter C34863 1

28. Voltage stabiliser 148876J 1

## 29. Dash bulbs

Instrument illumination C15788 6  
Rev counter warning lights C43898 2  
Speedo demist warning light C42512 1  
Warning light cluster C38966 A/R  
Time clock C15788 1  
Fibre optic bulb JLM9601\* 1





# Series 3 Switches & Gauges

Buy on-line at [www.sngbarratt.com](http://www.sngbarratt.com)



## 1. Speedometer

(Smiths type only, please call if you have Veglia or your car is for the North American or Japanese markets.)

|                 |     |         |   |
|-----------------|-----|---------|---|
| XJ6 analogue    | MPH | DAC1332 | 1 |
|                 | KPH | DAC1334 | 1 |
| XJ12 analogue   | MPH | DAC1333 | 1 |
|                 | KPH | DAC1335 | 1 |
| XJ6 electronic  | MPH | DAC2830 | 1 |
|                 | KPH | DAC2831 | 1 |
| XJ12 electronic | MPH | DAC2832 | 1 |
|                 | KPH | DAC2833 | 1 |

## 2. Speedometer cable (analogue speedometers only)

|             |     |         |   |
|-------------|-----|---------|---|
| <u>XJ6</u>  |     |         |   |
| Manual      | RHD | DAC1196 | 1 |
|             | LHD | DAC1197 | 1 |
| Automatic   | RHD | C44915  | 1 |
|             | LHD | C30391  | 1 |
| <u>XJ12</u> |     |         |   |
| RHD         | 43" | C46180  | 1 |
|             | 57" | DAC1872 | 1 |
| LHD         | 63" | C46181  | 1 |
|             | 31" | JLM9657 | 1 |

## 3. Speedometer cable angle drive (where fitted)

|      |        |   |
|------|--------|---|
| XJ6  | C24589 | 1 |
| XJ12 | C46183 | 1 |

## 4. Speedometer transducer

|            |     |         |   |
|------------|-----|---------|---|
| XJ6 manual | 3.4 | DRC8016 | 1 |
|            | 4.2 | DRC8007 | 1 |
| XJ6 auto   |     | DAC4570 | 1 |
| XJ12       |     | DAC4569 | 1 |

## 5. Rev counter

|      |     |         |   |
|------|-----|---------|---|
| XJ6  | 3.4 | DAC3009 | 1 |
|      | 4.2 | DAC3008 | 1 |
| XJ12 |     | DAC3007 | 1 |

## 6. Ammeter

DAC3056 1

7. Fuel gauge DAC3058 1

8. Time clock DAC1571\* 1

## 9. Oil pressure gauge

|        |     |         |   |
|--------|-----|---------|---|
| XJ6/12 | lbs | DAC3059 | 1 |
|        | kpa | DAC3060 | 1 |

10. Water temperature gauge DAC3055 1

## 11. Steering column lock ignition switch

XJ6/12 DAC1607 1

## 12. Steering column lock and switch assembly

XJ6/12 DAC4153 1

13. Lighting switch DAC4489 1

## 14. Indicator switch

|              |            |         |   |
|--------------|------------|---------|---|
| XJ6/12 early | non cruise | AEU1622 | 1 |
|              | cruise     | AEU1621 | 1 |
| XJ6/12 late  | non cruise | AEU2803 | 1 |
|              | cruise     | AEU2802 | 1 |

## 15. Windscreen wiper switch

|              |           |         |   |
|--------------|-----------|---------|---|
| XJ6/12 early | 8" cable  | AEU1337 | 1 |
|              | 12" cable | AEU1734 | 1 |
| XJ6/12 late  |           | AEU2804 | 1 |

16. Courtesy light switch DAC4777 5

17. Interior light switch DAC1358 1

18. Hazard warning switch AEU1338 1

19. Fuel tank changeover switch DAC1356 1

20. Map light switch DAC1357 1

21. Panel light rheostat RTC2534 1

22. Electric aerial switch DAC1695 1

23. Sunroof switch DAC2747 1

24. Electric window switch DAC2747 1

25. Electric window isolation switch C38637 1

|        |       |         |   |
|--------|-------|---------|---|
| XJ6/12 | early | DAC1613 | 1 |
|        | late  | DAC2748 | 1 |

27. Rear heated window switch DAC1355 1

28. Trip computer DAC4295E 1

29. Cigar lighter RTC2888 1

30. Warning light cluster Europe DAC1347 1

## 31. Warning light cluster lens & cover assembly

Europe DAC1350 1

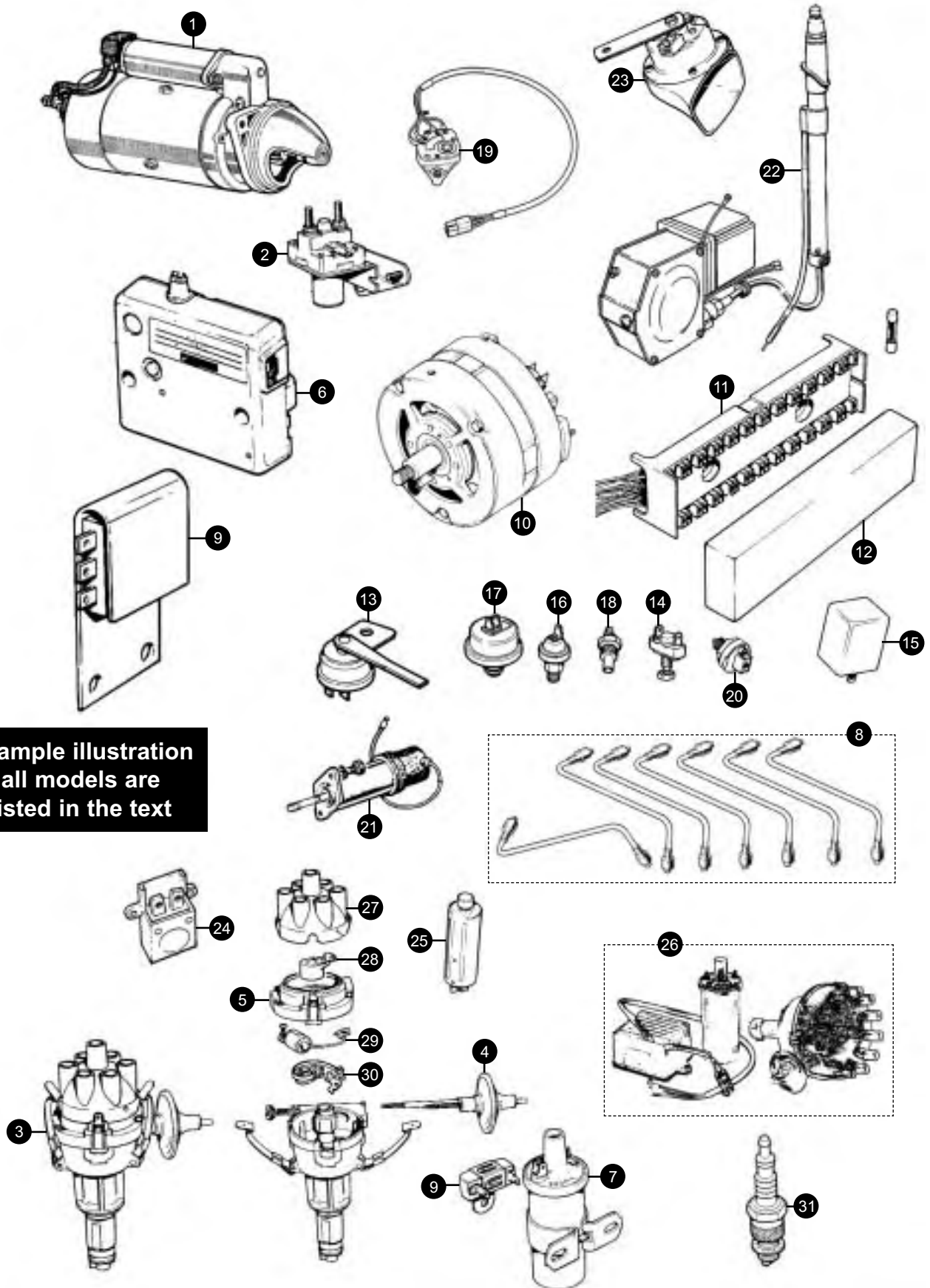
32. Leaping Jaguar badge BBC6593 1

33. Daimler script badge BAC7013 1

## 34. Dash bulbs

|                                    |          |     |
|------------------------------------|----------|-----|
| Instrument illumination (screw in) | C15788   | 6   |
| Rev counter warning lights         | C43898   | 2   |
| Speedo demist warning light        | C42512   | 1   |
| Warning light cluster              | C38966   | A/R |
| Time clock                         | C15788   | 1   |
| Fibre optic bulb                   | JLM9601* | 1   |





Example illustration  
all models are  
listed in the text



+44 (0) 1746 765432  
[sales.uk@sngbarratt.com](mailto:sales.uk@sngbarratt.com)



+1 603 622 1050  
[sales.usa@sngbarratt.com](mailto:sales.usa@sngbarratt.com)



+33 3 85 201 420  
[sngbarratt.france@wanadoo.fr](mailto:sngbarratt.france@wanadoo.fr)



+31 13 52 11 552  
[verkoop@sngbarratt.com](mailto:verkoop@sngbarratt.com)





# General Electrics

Buy on-line at [www.sngbarratt.com](http://www.sngbarratt.com)**1. Starter motor**

|            |        |         |   |
|------------|--------|---------|---|
| XJ6 S1 2.8 | Manual | C37947E | 1 |
|            | auto   | C10980R | 1 |

|                |  |          |   |
|----------------|--|----------|---|
| XJ6 S1/2/3 4.2 |  | LRS156   | 1 |
| XJ12           |  | DBC6924R | 1 |

**2. Remote starter solenoid**

|        |  |        |   |
|--------|--|--------|---|
| S1 2.8 |  | C19468 | 1 |
|--------|--|--------|---|

**3. Distributor assembly**

|  |           |          |   |
|--|-----------|----------|---|
| XJ6 S1/S2 early                        | (22D6)    | C25285R  | 1 |
| XJ6 S2/3 3.4                           | (45 D6)   | DAC2995  | 1 |
| XJ6 S2 4.2                             | (45D6)    | DAC2996  | 1 |
| XJ6 S3 4.2 complete kit with amplifier |           | RTC2641* | 1 |
| XJ12 S1/2                              | carbs     | C37443   | 1 |
| XJ12 S2                                | injection | DAC1940  | 1 |
| XJ12 S3                                | early     | DAC1940  | 1 |
|  | late      | DAC4379E | 1 |

**4. Distributor vacuum unit**

|                    |                           |          |   |
|--------------------|---------------------------|----------|---|
| XJ6 S1 2.8         |                           | JS364    | 1 |
| XJ6 S1/2 4.2 early |                           | 9969     | 1 |
| XJ6 S2/3 3.4       |                           | AAU1268  | 1 |
| XJ6 S2 4.2 late    |                           | AAU1078  | 1 |
| XJ6 S3 4.2         | early                     | RTC2641* | 1 |
| XJ6 S3 4.2         | late with constant energy | AEU1504  | 1 |
| XJ12 S1/2          | early carb                | JS578    | 1 |
| XJ12 S2            | late injection            | AAU6704  | 1 |
| XJ12 S3            | early pre H.E.            | AAU6704  | 1 |
| XJ12 S3            | late H.E.                 | JLM519   | 1 |

**5. Low tension lead & cover**

|          |  |        |   |
|----------|--|--------|---|
| XJ6 S1/2 |  | RTC175 | 1 |
|----------|--|--------|---|

**6. Ignition amplifier**

|                                     |  |          |   |
|-------------------------------------|--|----------|---|
| XJ6 S3 4.2                          |  | DAC3848  | 1 |
| XJ12 S1/2 early S3 with Opus system |  | DAB113HE | 1 |
| XJ12 S3 late pre H.E. & H.E.        |  | DAC2673  | 1 |
| XJ12 H.E. 1989 on Marelli system    |  | DAC4607  | 1 |

\*We now supply a full conversion kit to fit the later H.E. ignition system to a car equipped with the Opus ignition system complete with distributor see item 26

**7. Ignition coil**

|                                |                         |         |   |
|--------------------------------|-------------------------|---------|---|
| XJ6 S1                         | screw in                | C8749   | 1 |
|                                | push in                 | C30120  | 1 |
| XJ6 S2/3                       | 3.4                     | DLB102  | 1 |
| XJ6 S2                         | 4.2                     | DLB102  | 1 |
| XJ6 S3                         | 4.2 non constant energy | JLM1304 | 1 |
| XJ6 S3                         | 4.2 constant energy     | C34736  | 1 |
| XJ12 S1/2                      | early carb              | C34736  | 1 |
| XJ12 S2 late/S3 early pre H.E. |                         | DLB170  | 1 |
| XJ12 S3 late H.E.              | main                    | DAC2692 | 1 |
|                                | aux                     | DAC2693 | 1 |

**8. HT lead set**

|        |                |         |   |
|--------|----------------|---------|---|
| XJ6 S1 | early screw in | SBS1010 | 1 |
|        | late push in   | JLM332  | 1 |

|             |        |   |
|-------------|--------|---|
| XJ6 S2/3    | JLM332 | 1 |
| XJ12 S1/2/3 | JLM726 | 1 |

**9. Ballast resistor**

|                              |         |   |
|------------------------------|---------|---|
| XJ12 S1/2 with Opus ignition | C37759  | 1 |
| XJ6 3.4                      | 134176J | 1 |
| XJ6 S3 4.2                   | DAC1563 | 1 |

**10. Alternator**

|                                    |          |   |
|------------------------------------|----------|---|
| XJ6 S1 early                       | AEU1277R | 1 |
| XJ6 S1 late/S2/S3 early non aircon | DAC3480E | 1 |
| XJ6 S2/S3 early aircon             | LRA177   | 1 |
| XJ6 S3 late non aircon             | C46234   | 1 |
| XJ6 S3 late aircon                 | JHP1032  | 1 |
| XJ12 S1/2/S3 early pre H.E.        | C46234   | 1 |
| XJ12 S3 late H.E.                  | C46234   | 1 |

**11. Fusebox**

|           |      |         |   |
|-----------|------|---------|---|
| XJ6/12 S1 | RH   | C29318  | 1 |
|           | LH   | C30284  | 1 |
| XJ6/12 S2 |      | RTC1488 | 1 |
| XJ6/12 S3 | main | AEU1492 | 1 |
|           | aux  | AAU5037 | 1 |

**12. Fuse box cover**

|           |      |         |   |
|-----------|------|---------|---|
| XJ6/12 S1 |      | C33263  | 1 |
| XJ6/12 S2 |      | RTC1061 | 1 |
| XJ6/12 S3 | main | RTC1061 | 1 |
|           | aux  | AEU1568 | 1 |

**13. Brake light switch**

|                 |  |          |   |
|-----------------|--|----------|---|
| XJ6/12 S1       |  | 134529   | 1 |
| XJ6/12 S2 early |  | RTC1745  | 1 |
| XJ6/12 S2 late  |  | JLM21585 | 1 |
| XJ6/12 S3       |  | DAC1308  | 1 |

**14. Handbrake warning light switch**

|             |  |         |   |
|-------------|--|---------|---|
| XJ6/12 S1/2 |  | C19999  | 1 |
| XJ6/12 S3   |  | DAC3351 | 1 |

**15. Flasher unit**

|          |           |         |   |
|----------|-----------|---------|---|
| XJ6 S1   | indicator | JLM253  | 1 |
|          | hazard    | C28520  | 1 |
| XJ6 S2/3 |           | DAC1731 | 1 |

**16. Oil pressure warning light switch**

|                |  |        |   |
|----------------|--|--------|---|
| XJ6/12 S1/2/S3 |  | GPS117 | 1 |
|----------------|--|--------|---|

**17. Oil pressure sender unit**

|                |  |        |   |
|----------------|--|--------|---|
| XJ6 S1/2 early |  | C31177 | 1 |
| XJ6 S2 late/S3 |  | C46272 | 1 |

**18. Temperature sender unit**

|               |  |         |   |
|---------------|--|---------|---|
| XJ6/12 S1/2/3 |  | DAC2583 | 1 |
|---------------|--|---------|---|

**19. Automatic gearbox inhibitor switch**

|                   |  |         |   |
|-------------------|--|---------|---|
| XJ6/12 S1 early   |  | C25463  | 1 |
| XJ6/12 S1 late/S2 |  | C33509  | 1 |
| XJ6/12 S3         |  | DAC4155 | 1 |

**20. Reverse light switch**

|             |  |                |  |
|-------------|--|----------------|--|
| XJ6/12 S1/2 |  | DAC3844        |  |
| XJ6 S3      |  | ADU3354 manual |  |





### 21. Overdrive solenoid

All models 10002 1

### 22. Radio aerial

XJ6/12 S1/2 AEU1648 1  
XJ6/12 S3 DAC4090 1

### 23. Horns

|                 |      |        |   |
|-----------------|------|--------|---|
| Single terminal | high | GGE101 | 1 |
|                 | low  | GGE102 | 1 |
| Twin terminal   | high | GGE164 | 1 |
|                 | low  | GGE165 | 1 |

### 24. Thermal cut-outs

Electric windows DAC11334 1  
Air conditioning DAC3374 1

### 25. Fuel pump impact cut-out

Early XJ carb models (tubular grey type) C41220 1  
Later XJ inj models (square black type) DBC2022 1

### 26. XJ12 S1/2 Opus to H.E. ignition conversion

Converts the OPUS ignition system to the later H.E. specification as fitted to the XJ12 models whilst retaining the appearance of the original.

|                  |           |   |
|------------------|-----------|---|
| Carb models      | DAB113HE  | 1 |
| Injection models | DAB113HEF | 1 |

### 27. Distributor cap

|                             |         |   |
|-----------------------------|---------|---|
| XJ6 S1 2.8 to 1970          | 11573   | 1 |
| XJ6 S1 2.8 1970 to 1974     | JLM9524 | 1 |
| XJ6 S2/3 3.4 to 1986        | JLM9526 | 1 |
| XJ6 S1/2 4.2 to 1975        | JLM9524 | 1 |
| XJ6 S2 1975 to 1979         | JLM9526 | 1 |
| XJ6 S3 4.2                  | JLM9528 | 1 |
| XJ12 Pre H.E.               | JS402   | 1 |
| XJ12 H.E. to 1989           | DAC4168 | 1 |
| XJ12 H.E. 1989 on (Marelli) | JLM1909 | 1 |

### 28. Rotor arm

|                             |         |   |
|-----------------------------|---------|---|
| XJ6 S1 2.8 to 1970          | JLM263  | 1 |
| XJ6 S1 2.8 1970 to 1974     | JLM263  | 1 |
| XJ6 S2/3 3.4 to 1986        | JLM9620 | 1 |
| XJ6 S1/2 4.2 to 1975        | JLM263  | 1 |
| XJ6 S2 1975 to 1979         | JLM9620 | 1 |
| XJ6 S3 4.2                  | JLM9623 | 1 |
| XJ12 Pre H.E.               | JLM9624 | 1 |
| XJ12 H.E. to 1989           | JLM9624 | 1 |
| XJ12 H.E. 1989 on (Marelli) | JLM1911 | 1 |

### 29. Condenser

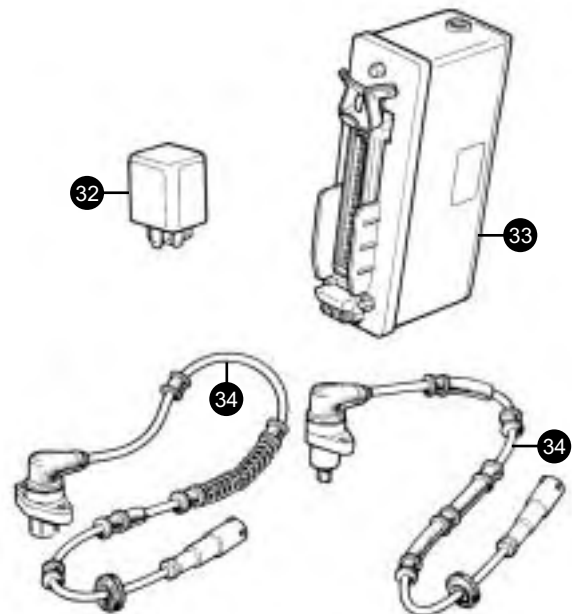
|                         |         |   |
|-------------------------|---------|---|
| XJ6 S1 2.8 to 1970      | JLM9656 | 1 |
| XJ6 S1 2.8 1970 to 1974 | JLM9656 | 1 |
| XJ6 S2/3 3.4 to 1986    | JLM9655 | 1 |
| XJ6 S1/2 4.2 to 1975    | JLM9656 | 1 |
| XJ6 S2 1975 to 1979     | JLM9655 | 1 |

### 30. Contact set

|                         |         |   |
|-------------------------|---------|---|
| XJ6 S1 2.8 to 1970      | JLM9520 | 1 |
| XJ6 S1 2.8 1970 to 1974 | JLM9520 | 1 |
| XJ6 S2/3 3.4 to 1986    | JLM9521 | 1 |
| XJ6 S1/2 4.2 to 1975    | JLM9520 | 1 |
| XJ6 S2 1975 to 1979     | JLM9521 | 1 |

### 31. Spark plug

|                             |         |    |
|-----------------------------|---------|----|
| XJ6 S1 2.8 to 1970          | JLM9664 | 6  |
| XJ6 S1 2.8 1970 to 1974     | JLM9664 | 6  |
| XJ6 S2/3 3.4 to 1986        | EAC8916 | 6  |
| XJ6 S1/2 4.2 to 1975        | EAC8917 | 6  |
| XJ6 S2 1975 to 1979         | EAC8917 | 6  |
| XJ6 S3 4.2                  | EAC8915 | 6  |
| XJ12 Pre H.E.               | EAC8915 | 6  |
| XJ12 H.E. to 1989           | EBC4021 | 12 |
| XJ12 H.E. 1989 on (Marelli) | EAC8554 | 12 |



### Anti Lock Braking System (XJ12 only from VIN 483818)

|  |         |   |
|--|---------|---|
| <b>32. ABS electronic control module</b> | DBC5980 | 1 |
| <b>33. ABS relay</b>                     | DBC4282 | 1 |
| <b>34. ABS wheel sensor</b>              |         |   |
| RHF                                      | DAC7254 | 1 |
| LHF                                      | DAC7253 | 1 |
| RHR                                      | DAC7277 | 1 |
| LHR                                      | DAC7255 | 1 |



# Electronic Ignition Conversion Kits

Buy on-line at [www.sngbarratt.com](http://www.sngbarratt.com)



The constant changing of points and condensers on any Jaguar or Daimler is both inconvenient and time consuming. The later Jaguars all feature electronic ignition which comes with the obvious advantages of greater reliability, economy and maintenance free motoring. The kits we provide are all produced by leading manufacturers and are built to out last many of the cheaper kits that are available from many of our competitors! They are fairly easy to fit and require no further adjustment once they are in situ, so fit one and forget it!



## Ignitor Electronic Ignition Kits

A solid-state electronic system... "never change points again!"

Test results show the Ignitor delivers twice the voltage to the spark plugs, increasing horsepower, fuel economy and plug life.

A 2:1 improvement over point type systems in current fall time for increased coil output.

System is designed for use with most point-type coils.

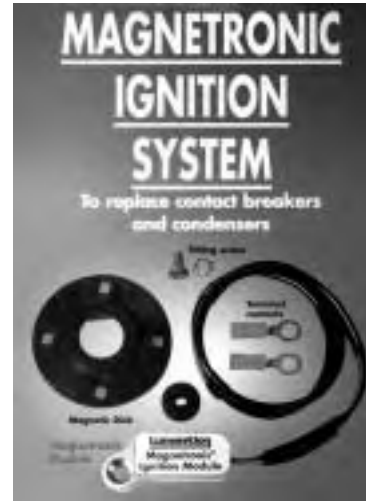
Rotating cobalt magnets, mounted on the distributor shaft, trigger an electronic switching module (Hall effect integrated circuit) ...no points to burn, pit and corrode ...no moving and rubbing parts to wear out.

Electronics are molded in epoxy, eliminating deterioration from dirt, oil, grease or moisture (better foul weather performance).

Fits entirely inside the distributor, no "black box" to clutter your engine compartment. Stable timing... no need for any further adjustments.

No complicated wiring makes installations easy.

|                              |         |
|------------------------------|---------|
| <b>XJ6 22D6 Distributor</b>  | XK22D   |
| <b>XJ6 45D Distributor</b>   | XK45D   |
| <b>XJ6 45DM6 Distributor</b> | XK45DM6 |



## Magnetronic Electronic Ignition Kits

Easier starting

Overcomes distributor wear

Increased fuel economy

Maintenance free

No permanent modification required

Fits within the distributor cap

Die cast aluminium module

OEM quality components

### XJ6 Pre 1974 22/25 D6 distributor type

Standard system    Fitting kit FK116    Power unit PMA50  
Magnetronic system (negative earth only) MTK005

### XJ6 Post 1974 45 D6 distributor type

Standard system    Fitting kit FK117    Power unit PMA50  
Magnetronic system (negative earth only) MTK009



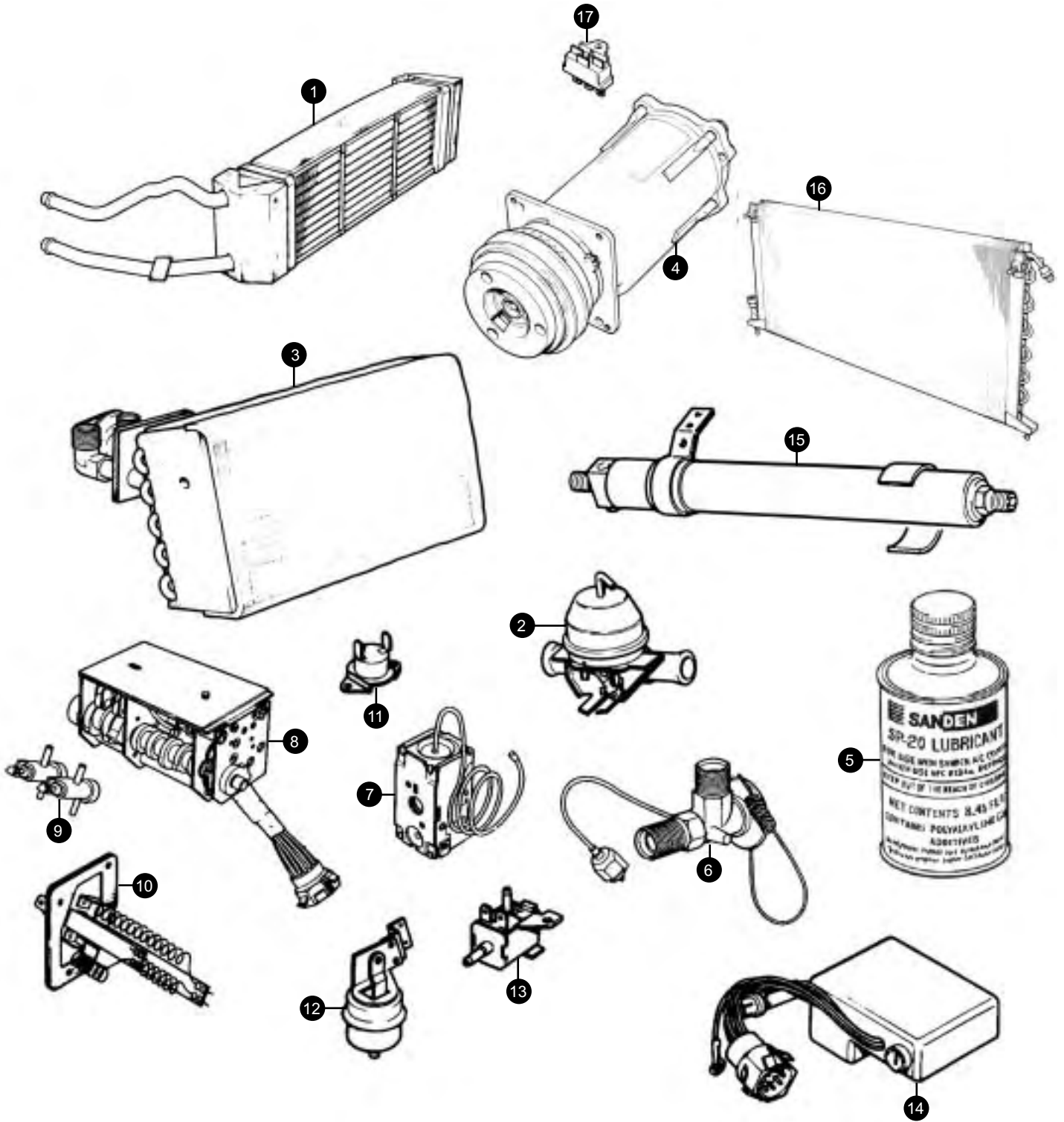
## 45D Electronic Ignition

Conversion to upgrade most 6 cylinder cars to later 45D electronic ignition as fitted to XJ6 Series 3. RTC2641\*



# Heater & Air Conditioning

Buy on-line at [www.sngbarratt.com](http://www.sngbarratt.com)



+44 (0) 1746 765432  
[sales.uk@sngbarratt.com](mailto:sales.uk@sngbarratt.com)



+1 603 622 1050  
[sales.usa@sngbarratt.com](mailto:sales.usa@sngbarratt.com)



+33 3 85 201 420  
[sngbarratt.france@wanadoo.fr](mailto:sngbarratt.france@wanadoo.fr)



+31 13 52 11 552  
[verkoop@sngbarratt.com](mailto:verkoop@sngbarratt.com)



# Heater & Air Conditioning

Buy on-line at [www.sngbarratt.com](http://www.sngbarratt.com)



There are many parts used in any Jaguar heating or air conditioning system. Here are a selection of the most popular ones that we find are regularly purchased by our customers. If the part you require isn't listed for your car, please call.

### 1. Heater matrix

|                              |          |   |
|------------------------------|----------|---|
| XJ S1                        | BD39772  | 1 |
| XJ S2/3 (XJ12 to VIN 467652) | AEU1195  | 1 |
| XJ12 VIN 467653 on           | JLM11342 | 1 |

### 2. Heater water valve

|         |         |   |
|---------|---------|---|
| XJ S1   | BD33049 | 1 |
| XJ S2/3 | C41051  | 1 |

### 3. Evaporator

|                            |       |         |   |
|----------------------------|-------|---------|---|
| XJ S2                      | early | RTC685  | 1 |
|                            | late  | AEU1191 | 1 |
| XJ S3 (XJ12 to VIN 467652) |       | AEU1191 | 1 |
| XJ12 VIN 467653 on         |       | JLM1197 | 1 |

### 4. Compressor

|   |          |   |
|---|----------|---|
| XJ S2/3 to 1984 approx<br>(XJ6 to VIN 471856)<br>(XJ12 to VIN 471851) | EAC1986R | 1 |
|---|----------|---|

XJ S3 1984 on to end of S3 range  
(XJ6 VIN 471857 on)  
(XJ12 VIN 471852 on)

|         |   |
|---------|---|
| EAC9616 | 1 |
|---------|---|

### 5. Compressor oil

|                                  |          |   |
|----------------------------------|----------|---|
| CFC free conversion to R134A gas | JLM21730 | 1 |
|                                  | JLM11611 | 1 |

### 6. Expansion valve

|                                    |         |   |
|------------------------------------|---------|---|
| XJ S1                              | 12758   | 1 |
| XJ S2 early                        | RTC693  | 1 |
| XJ S2 late/S3 (XJ12 to VIN 467652) | CAC2423 | 1 |
| XJ12 VIN 467653 on                 | JLM1228 | 1 |

### 7. Air temperature thermostat

|       |         |   |
|-------|---------|---|
| XJ S2 | RTC673  | 1 |
| XJ S3 | AEU1675 | 1 |



### 8. Servo assembly

|       |         |   |
|-------|---------|---|
| XJ S2 | JLM523E | 1 |
| XJ S3 | JLM523E | 1 |

### 9. Servo vacuum valve

|         |         |   |
|---------|---------|---|
| XJ S2/3 | RTC1076 | 1 |
|---------|---------|---|

### 10. Resistor

|         |        |   |
|---------|--------|---|
| XJ S2/3 | RTC677 | 1 |
|---------|--------|---|

### 11. Coolant temperature thermostat

|         |        |   |
|---------|--------|---|
| XJ S2/3 | RTC672 | 1 |
|---------|--------|---|

### 12. Actuator valve

|         |        |   |
|---------|--------|---|
| XJ S2/3 | RTC684 | 1 |
|---------|--------|---|

### 13. Vacuum valve

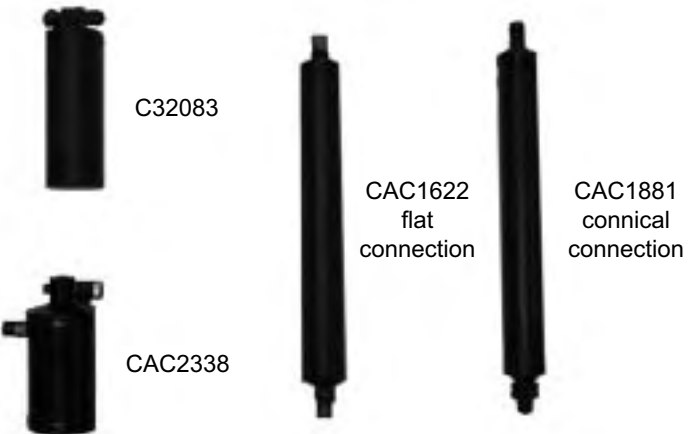
|         |        |   |
|---------|--------|---|
| XJ S2/3 | RTC670 | 1 |
|---------|--------|---|

### 14. Amplifier

|         |        |   |
|---------|--------|---|
| XJ S2/3 | C45402 | 1 |
|---------|--------|---|

### 15. Drier bottle (visual identification below)

|         |  |         |   |
|---------|--|---------|---|
| XJ S1/2 | upright tube shaped type   | C32083  | 1 |
| XJ S2   | long horizontal tube type  | CAC1622 | 1 |
| XJ S2/3 | upright hand grenade type<br>(XJ6 3.4 to VIN 329483)<br>(XJ6 4.2 to VIN 330298 non A/C)<br>(XJ6 4.2 to VIN 330665 A/C)                         | CAC2338 | 1 |
| XJ S3   | long horizontal tube type<br>(XJ6 3.4 VIN 329484 on)<br>(XJ6 4.2 VIN 330299 on non A/C)<br>(XJ6 4.2 VIN 330666 on A/C)<br>(XJ12 to VIN 467652) | CAC1881 | 1 |



### 16. Condenser

|                             |         |   |
|-----------------------------|---------|---|
| XJ6/12 Series 3             | CBC2809 | 1 |
| XJ12 Series 3 VIN 467652 on | CBC2846 | 1 |

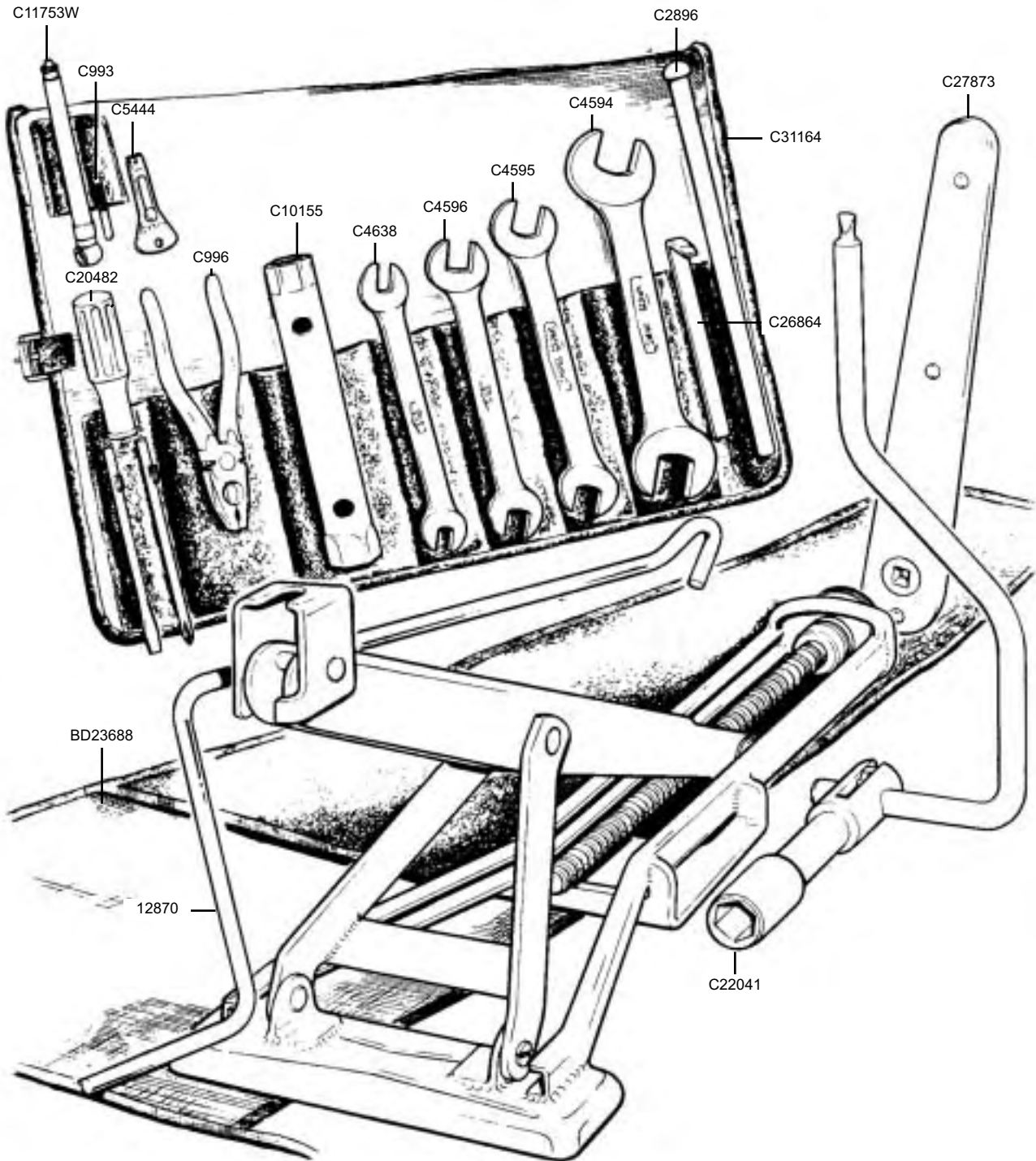
### 17. Thermal cut-out

|         |   |
|---------|---|
| DAC3374 | 1 |
|---------|---|



# Series One Tool Kit

Buy on-line at [www.sngbarratt.com](http://www.sngbarratt.com)



+44 (0) 1746 765432  
[sales.uk@sngbarratt.com](mailto:sales.uk@sngbarratt.com)



+1 603 622 1050  
[sales.usa@sngbarratt.com](mailto:sales.usa@sngbarratt.com)



+33 3 85 201 420  
[sngbarratt.france@wanadoo.fr](mailto:sngbarratt.france@wanadoo.fr)

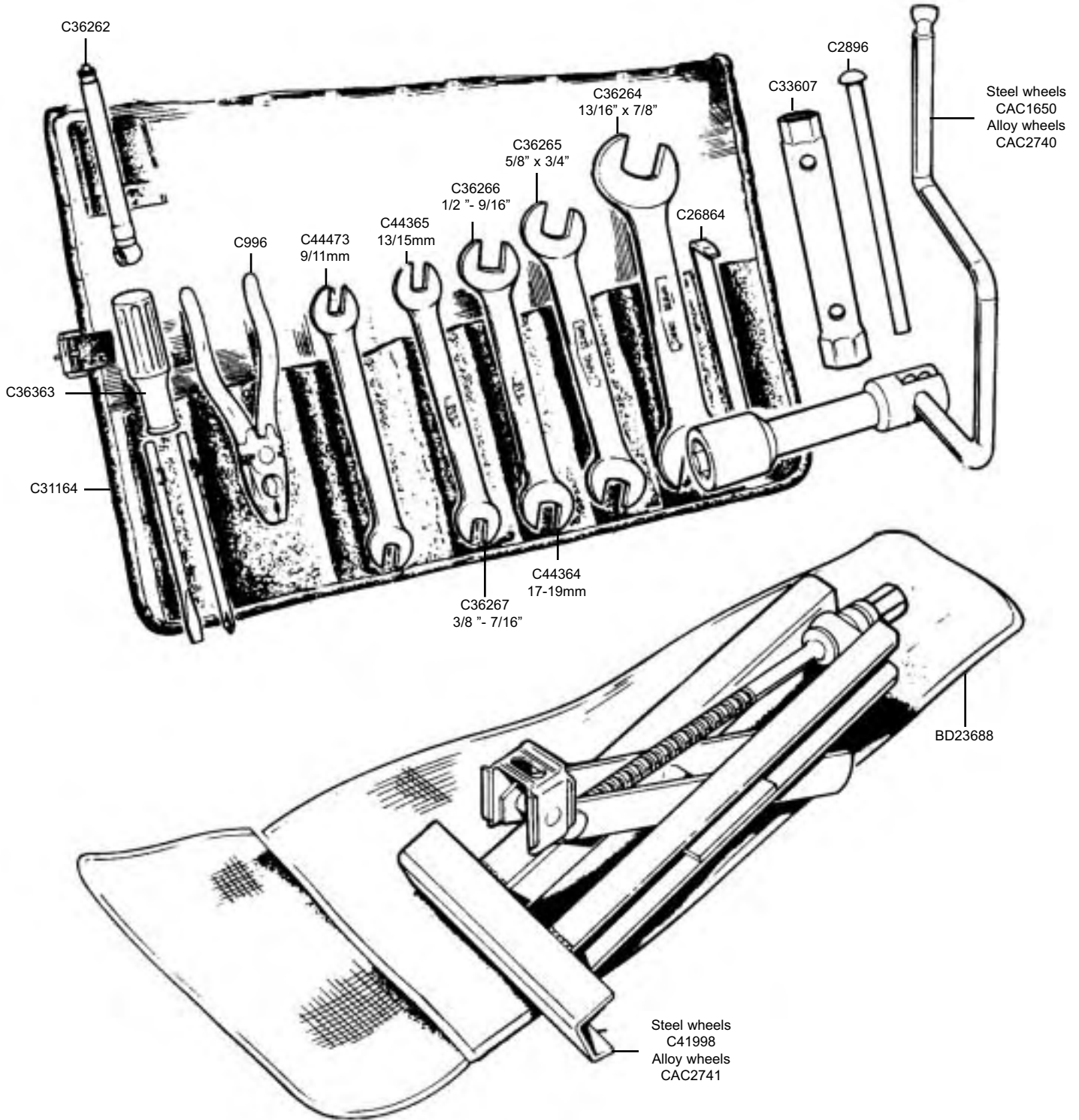


+31 13 52 11 552  
[verkoop@sngbarratt.com](mailto:verkoop@sngbarratt.com)



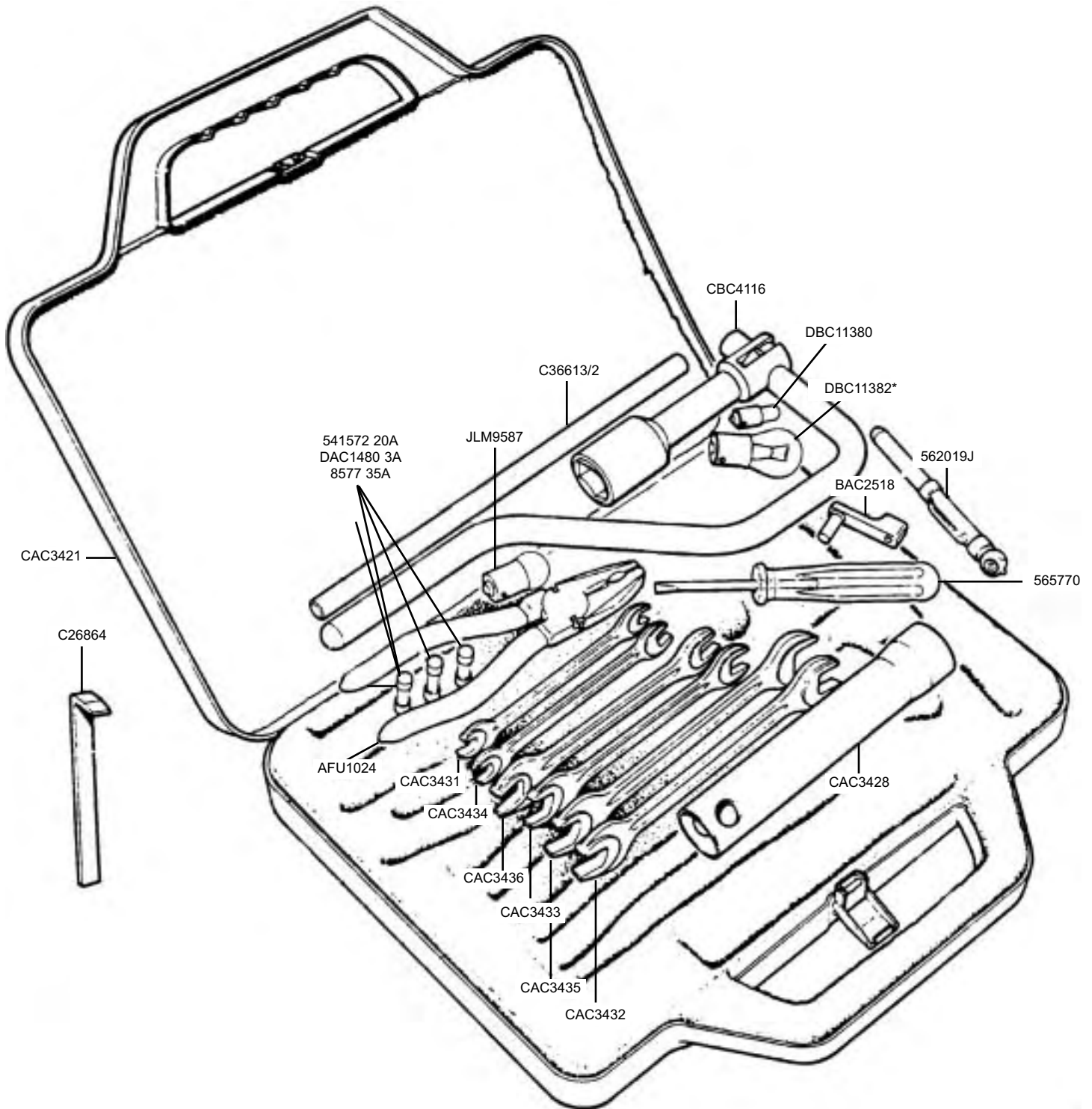
# Series 2 Tool Kit

Buy on-line at [www.sngbarratt.com](http://www.sngbarratt.com)



# Series 3 Tool Kit

Buy on-line at [www.sngbarratt.com](http://www.sngbarratt.com)



+44 (0) 1746 765432  
[sales.uk@sngbarratt.com](mailto:sales.uk@sngbarratt.com)



+1 603 622 1050  
[sales.usa@sngbarratt.com](mailto:sales.usa@sngbarratt.com)



+33 3 85 201 420  
[sngbarratt.france@wanadoo.fr](mailto:sngbarratt.france@wanadoo.fr)



+31 13 52 11 552  
[verkoop@sngbarratt.com](mailto:verkoop@sngbarratt.com)





# Motifs & Decals

Buy on-line at [www.sngbarratt.com](http://www.sngbarratt.com)



BD32160



BD42436



Silver BD36629  
Gold BAC2801



BD42435



BD44533



BD39131



BD47265



Van ADB5809 Plas ADB5810



BD35864



BD36076



BD36077



BD40971



BD40964



BD47266



BD38328



Later cars  
BD38329



Early cars  
BD35860



BD46997



BD35863



BD46996



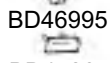
BD47008



BD38856



BD35862



BD46995  
BD47267



BD30909 LH BD30908 RH



BD38469



BD36832



BBC6019



BBC6021



BBC6016



Jaguar BBC6014  
Daimler BBC6018



BBC6023



BCC3643



BBC6022



BCC3644



BBC6013



BBC6015



BAC1659



BCC3643



BCC3641



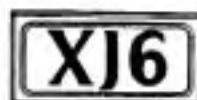
BCC3637



BCC3638



BCC3636



BCC3639



BCC3640



**XJ6/12 Series One**

|                  |   |
|------------------|---|
| <b>JXJ61/FSC</b> | Front Seat Covers pair                      |
| <b>JXJ61/RSC</b> | Rear Seat Covers set                        |
| <b>JXJ61/CA1</b> | Carpet Set set                              |
| <b>JXJ61/DRP</b> | Door Panels (excluding pockets) set of 4    |
| <b>JXJ61/V1</b>  | Covering Kit for 4 Armrests and Pockets set |
| <b>JXJ61/V2</b>  | Covering Kit for 4 Door Cappings set        |
| <b>JXJ61/V3</b>  | Covering Kit for 4 Handle Escutcheons set   |
| <b>JXJ61/RPS</b> | Rear Parcel Shelf (excluding Vent)          |
| <b>JXJ61/BP</b>  | B Post Covers pair                          |
| <b>JXJ61/CC</b>  | Centre Console Kit - (Vinyl) set            |
| <b>JXJ61/HL1</b> | Headlining Material - Beige set             |
| <b>JXJ61/HL2</b> | Headlining Material - Grey set              |
| <b>JXJ61/BHA</b> | Boot Hardura Kit - with Boot Side Trims set |
| <b>JXJ61/FF1</b> | Furflex Kit - Black set                     |
| <b>JXJ61/FF2</b> | Furflex Kit - Beige set                     |
| <b>JXJ61/FF3</b> | Furflex Kit - Grey set                      |
| <b>JXJ61/SP1</b> | Under-Carpet Soundproofing Pads - set of 4  |

All the above items are included in a full trim kit

**JXJ61/FTK** Full Trim Kit

**OPTIONAL ITEMS**

|                    |  |
|--------------------|--|
| <b>JXJ61/FSF</b>   | Front Seat Base Foams pair                     |
| <b>JXJ61/HC1</b>   | Headrest Covers - Cloth pair                   |
| <b>JXJ61/HC2</b>   | Headrest Covers - Leather pair                 |
| <b>JXJ61/HF</b>    | Headrest Foams pair                            |
| <b>JXJ61/HRC</b>   | Complete H/rests Fully Trimmed in Leather pair |
| <b>JXJ61/CA2</b>   | Front Footwell Carpets pair                    |
| <b>JXJ61/CA3</b>   | Set 4 Footwell Carpets                         |
| <b>JXJ61/SP2</b>   | Soundproofing Pads - Front each                |
| <b>JXJ61/SP3</b>   | Soundproofing Pads - Rear each                 |
| <b>JXJ61/BP</b>    | Boot Side Panels - Painted Finish pair         |
| <b>JXJ61/BSP1</b>  | Boot Side Panels - Cloth Finish pair           |
| <b>JXJ61/CAFIX</b> | Carpet Fixing Kit set                          |
| <b>JXJ61/HLP</b>   | Headlining Pad                                 |
| <b>JXJ61/CABM</b>  | Boot Mat - Carpet                              |
| <b>JXJ61/HABM</b>  | Boot Mat - Hardura                             |
| <b>JXJ61/VR</b>    | Vinyl Roof Topping                             |

**XJ6/12 Series Two  
4 Door**

|                  |  |
|------------------|--|
| <b>JXJ62/FSC</b> | Front Seat Covers pair                     |
| <b>JXJ62/RSC</b> | Rear Seat Cover                            |
| <b>JXJ62/CA1</b> | Carpet Set - Wool                          |
| <b>JXJ62/DRP</b> | Door Panels (exc. pockets) - set 4         |
| <b>JXJ62/V1</b>  | Covering Kit for 4 Armrests + Pockets      |
| <b>JXJ62/V2</b>  | Covering Kit for 4 Door Cappings           |
| <b>JXJ62/V3</b>  | Covering Kit for 4 Door Handle Escutcheons |
| <b>JXJ62/RPS</b> | Rear Parcel Shelf (exc. Vent)              |
| <b>JXJ62/BP</b>  | B Post Covers pair                         |
| <b>JXJ62/CC</b>  | Centre Console Kit - (Vinyl)               |
| <b>JXJ62/HL1</b> | Headlining Material - Beige                |
| <b>JXJ62/HL2</b> | Headlining Material - Grey                 |
| <b>JXJ62/BHA</b> | Boot Hardura Kit - inc. Side Trims         |
| <b>JXJ62/FF1</b> | Furflex Kit - Black                        |
| <b>JXJ62/FF2</b> | Furflex Kit - Beige                        |

|                  |   |
|------------------|---|
| <b>JXJ62/FF3</b> | Furflex Kit - Grey                      |
| <b>JXJ62/SP1</b> | Under-Carpet Soundproofing Pads - set 4 |

All the above items are included in a full trim kit

**JXJ62/FTK3** Full Trim Kit

**OPTIONAL ITEMS**

|                    |  |
|--------------------|--|
| <b>JXJ62/HC1</b>   | Headrest Covers - Cloth pair           |
| <b>JXJ62/HC2</b>   | Headrest Covers - Leather pair         |
| <b>JXJ62/HF</b>    | Headrest Foams pair                    |
| <b>JXJ62/HRC</b>   | Complete Headrests - Leather pair      |
| <b>JXJ62/CA2</b>   | Front Footwell Carpets - Wool pair     |
| <b>JXJ62/CA3</b>   | Set 4 Footwell Carpets - Wool          |
| <b>JXJ62/SP2</b>   | Soundproofing Pads - Front each        |
| <b>JXJ62/SP3</b>   | Soundproofing Pads - Rear each         |
| <b>JXJ62/BSP</b>   | Boot Side Panels - Painted Finish pair |
| <b>JXJ62/BSP1</b>  | Boot Side Panels - Cloth Finish pair   |
| <b>JXJ62/CAFIX</b> | Carpet Fixing Kit                      |
| <b>JXJ62/HLP</b>   | Headlining Pad                         |
| <b>JXJ62/CABM</b>  | Boot Mat - Carpet                      |
| <b>JXJ62/HABM</b>  | Boot Mat - Hardura                     |
| <b>JXJ62/VR</b>    | Vinyl Roof Topping                     |
| <b>JXJ62/FSF</b>   | Front Seat Base Foams pair             |

**XJ6/12 Series Two  
2 Door Coupe**

|                  |   |
|------------------|---|
| <b>XJC6/FSC1</b> | Front Seat Covers - Leather                     |
| <b>XJC6/RSC1</b> | Rear Seat Cover - Leather                       |
| <b>XJC6/CA1</b>  | Carpet Set - Wool                               |
| <b>XJC6/DRP1</b> | Front Door Panels (excluding pockets)           |
| <b>XJC6/RSP</b>  | Rear Side Trims (excluding plastic mouldings)   |
| <b>XJC6/DRP2</b> | Armrest and Pocket Trim Kit - set of 4          |
| <b>XJC6/HL</b>   | Headlining 4metres Cloth                        |
| <b>XJC6/V1</b>   | Vinyl For Underdash Panels - 1metre             |
| <b>XJC6/HC1</b>  | Headrest Covers - Leather                       |
| <b>XJC6/RPS</b>  | Rear Parcel Shelf ( excluding vent mesh )       |
| <b>XJC6/CA2</b>  | Carpet Fasteners ( 16pieces )                   |
| <b>XJC6/BTK</b>  | Boot Hardura including Side Trims               |
| <b>XJC6/SP1</b>  | Under - Carpet Soundproofing Pads - set of 6    |
| <b>XJC6/CC1</b>  | Centre Console Retrims Kit (vinyl as original)  |
| <b>XJC6/DRP3</b> | Covering Kit for 2 Door Cappings                |
| <b>XJC6/DRP4</b> | Covering Kit for 2 Door Handle Escutcheons      |
| <b>XJC6/FF</b>   | Furflex Kit - available in Black, Grey or Beige |
| <b>XJC6/CA3</b>  | A Post Carpets - Wool                           |

All the above items are included in a full trim kit

**XJC6/FTK** FULL TRIM KIT

**OPTIONAL ITEMS**

|                  |                              |
|------------------|------------------------------|
| <b>XJC6/FSC2</b> | Front Seat Covers - Cloth    |
| <b>XJC6/RSC2</b> | Rear Seat Cover - Cloth      |
| <b>XJC6/HC2</b>  | Headrest Covers - Cloth      |
| <b>XJC6/CC2</b>  | Centre Console Kit - Leather |
| <b>XJC6/JP</b>   | Jack Bag                     |
| <b>XJC6/TB</b>   | Tool Roll                    |
| <b>XJC6/FSF</b>  | Front Seat Base Foams        |
| <b>XJC6/DRP5</b> | Door Carpets - Wool          |



+44 (0) 1746 765432  
sales.uk@sngbarratt.com



+1 603 622 1050  
sales.usa@sngbarratt.com



+33 3 85 201 420  
sngbarratt.france@wanadoo.fr



+31 13 52 11 552  
verkoop@sngbarratt.com



# Interior Trim

Buy on-line at [www.sngbarratt.com](http://www.sngbarratt.com)



## XJ6/12 Series Three

- JXJ63/FSC** Front Seat Covers pair
- JXJ63/RSC** Rear Seat Cover
- JXJ63/CA1** Carpet Set - Wool
- JXJ63/DRP** Door Panels (exc. pockets) - set 4
- JXJ63/V1** Covering Kit for 4 Armrests + Pockets
- JXJ63/V2** Covering Kit for 4 Door Cappings
- JXJ63/V3** Covering Kit for 4 Door Handle Escutcheons
- JXJ63/RPS** Rear Parcel Shelf (exc. Vent)
- JXJ63/BP** B Post Covers pair
- JXJ63/CC** Centre Console Kit - (Vinyl)
- JXJ63/HL1** Headlining Material - Beige
- JXJ63/HL2** Headlining Material - Grey
- JXJ63/BHA** Boot Hardura Kit - inc. Side Trims
- JXJ63/FF1** Furflex Kit - Black
- JXJ63/FF2** Furflex Kit - Beige
- JXJ63/FF3** Furflex Kit - Grey

**JXJ63/SP1** Under-Carpet Soundproofing Pads - set 4

All the above items are included in a full trim kit

**JXJ63/FTK3** Full Trim Kit

### OPTIONAL ITEMS

- JXJ63/HC1** Headrest Covers - Cloth pair
- JXJ63/HC2** Headrest Covers - Leather pair
- XJX63/HF** Headrest Foams pair
- JXJ63/HRC** Complete H/rests Fully Trimmed - Leather pair
- JXJ63/CA2** Front Footwell Carpets - Wool pair
- JXJ63/CA3** Set 4 Footwell Carpets - Wool
- JXJ63/SP2** Soundproofing Pads - Front each
- JXJ63/SP3** Soundproofing Pads - Rear each
- JXJ63/BSP** Boot Side Panels - Painted Finish pair
- JXJ63/BSP1** Boot Side Panels - Cloth Finish pair
- JXJ63/CAFIX** Carpet Fixing Kit
- JXJ63/HLP** Headlining Pad - Untrimmed
- JXJ63/CABM** Boot Mat - Carpet
- JXJ63/HABM** Boot Mat - Hardura
- JXJ63/VR** Vinyl Roof Topping



# Master Index

|                               |                                 |                      |  |  |  |
|-------------------------------|---------------------------------|----------------------|--|--|--|
| <b>A</b>                      |                                 |                      |  |  |  |
| Air Filters                   | 24                              |                      |  |  |  |
| Alternator                    | 81                              |                      |  |  |  |
| Anti-Roll Bar                 | 31                              |                      |  |  |  |
| Automatic Gearbox             | 28                              |                      |  |  |  |
| <b>B</b>                      |                                 |                      |  |  |  |
| Badges                        | 90                              |                      |  |  |  |
| Ball joints                   | 31                              |                      |  |  |  |
| Bearing Set, camshaft         | 10                              |                      |  |  |  |
| Bearing Set, con rod          | 5                               |                      |  |  |  |
| Bearing Set, main             | 5                               |                      |  |  |  |
| Bearings, rear axle           | 33                              |                      |  |  |  |
| Block, cylinder               | 5                               |                      |  |  |  |
| Body Panels                   | 51                              |                      |  |  |  |
| Body Rubbers                  | 55                              |                      |  |  |  |
| Boot Seal                     | 55                              |                      |  |  |  |
| Brake Calipers                | 35                              |                      |  |  |  |
| Brake Disc Pads               | 35                              |                      |  |  |  |
| Brake Hoses                   | 37                              |                      |  |  |  |
| Brake Master Cylinder         | 37                              |                      |  |  |  |
| Brake Pad Set                 | 35                              |                      |  |  |  |
| Brake Pipe Kit                | 37                              |                      |  |  |  |
| Bulbs                         | 70                              |                      |  |  |  |
| Bumpers & fittings S1/2       | 60                              |                      |  |  |  |
| Bumpers & fittings S3         | 62                              |                      |  |  |  |
| Bushes, front suspension      | 31                              |                      |  |  |  |
| Bushes, rear suspension       | 33                              |                      |  |  |  |
| <b>C</b>                      |                                 |                      |  |  |  |
| Camshaft Bearings             | 10                              |                      |  |  |  |
| Camshaft Follower             | 10                              |                      |  |  |  |
| Carburettor Components        | HD8<br>HS8<br>HIF7<br>Stromberg | 19<br>20<br>21<br>22 |  |  |  |
| Carpet Kits                   | 91                              |                      |  |  |  |
| Clutch Cover                  | 25                              |                      |  |  |  |
| Clutch Kit                    | 25                              |                      |  |  |  |
| Clutch Master Cylinder        | 25                              |                      |  |  |  |
| Clutch Pipe (flexible)        | 25                              |                      |  |  |  |
| Clutch Plate                  | 25                              |                      |  |  |  |
| Clutch Release Bearing        | 25                              |                      |  |  |  |
| Clutch Release Lever          | 25                              |                      |  |  |  |
| Clutch Slave Cylinder         | 25                              |                      |  |  |  |
| Clutch Slave Cyl Repair Kit   | 25                              |                      |  |  |  |
| Condenser, Distributor        | 81                              |                      |  |  |  |
| Connecting Rods               | 5                               |                      |  |  |  |
| Contact Breakers              | 81                              |                      |  |  |  |
| <b>D</b>                      |                                 |                      |  |  |  |
| Decals                        | 90                              |                      |  |  |  |
| Differential                  | 30                              |                      |  |  |  |
| Dipstick, engine              | 5                               |                      |  |  |  |
| Distributor                   | 81                              |                      |  |  |  |
| Distributor Cap               | 81                              |                      |  |  |  |
| Door Fittings                 | 64/66/68                        |                      |  |  |  |
| Door Glass                    | 58                              |                      |  |  |  |
| Door Handle                   | 64/66/68                        |                      |  |  |  |
| Door Locks                    | 64/66/68                        |                      |  |  |  |
| Door Seals                    | 55                              |                      |  |  |  |
| Door Skins                    | 51                              |                      |  |  |  |
| <b>E</b>                      |                                 |                      |  |  |  |
| Engine Lock Tab Set           | 5                               |                      |  |  |  |
| Engine Mountings              | 5                               |                      |  |  |  |
| Exhaust Systems               | 46                              |                      |  |  |  |
| <b>F</b>                      |                                 |                      |  |  |  |
| Fan Belt                      | 43                              |                      |  |  |  |
| Flasher Unit                  | 81                              |                      |  |  |  |
| Float (Carburettor)           | 19/20/21/22                     |                      |  |  |  |
| Float Needle & Seats          | 19/20/21/22                     |                      |  |  |  |
| Flywheel                      | 5                               |                      |  |  |  |
| Flywheel Bolts                | 5                               |                      |  |  |  |
| Fuel Cap                      | 49                              |                      |  |  |  |
| Fuel Gauge                    | 75/77/79                        |                      |  |  |  |
| Fuel Pump Assembly            | 49                              |                      |  |  |  |
| Fuel Sender Unit              | 49                              |                      |  |  |  |
| Fuel Tank                     | 49                              |                      |  |  |  |
| Fuse Box & Fuses              | 81                              |                      |  |  |  |
| <b>G</b>                      |                                 |                      |  |  |  |
| Gasket Set, cylinder head     | 10/16                           |                      |  |  |  |
| Gasket Set, bottom end        | 5/13                            |                      |  |  |  |
| Gasket Set, gearbox           | 26                              |                      |  |  |  |
| Gauges                        | 75/77/79                        |                      |  |  |  |
| Gear Lever                    | 26                              |                      |  |  |  |
| Gear Lever Knob               | 26                              |                      |  |  |  |
| Gearbox, Automatic            | 28                              |                      |  |  |  |
| Gearbox Gasket Set            | 26                              |                      |  |  |  |
| Gearbox Mountings             | 5/13                            |                      |  |  |  |
| Grille, radiator              | 64/66/68                        |                      |  |  |  |
| <b>H</b>                      |                                 |                      |  |  |  |
| HT Lead Set                   | 81                              |                      |  |  |  |
| Half shafts Universal Joints  | 33                              |                      |  |  |  |
| Handbrake Cable               | 37                              |                      |  |  |  |
| Handbrake Components          | 36                              |                      |  |  |  |
| Handbrake Pad Set             | 36                              |                      |  |  |  |
| Headlamp Assemblies           | 70                              |                      |  |  |  |
| Headlamp Rim                  | 70                              |                      |  |  |  |
| Headliner Kit                 | 91                              |                      |  |  |  |
| Heater                        | 85                              |                      |  |  |  |
| Heater Matrix                 | 85                              |                      |  |  |  |
| Horn                          | 81                              |                      |  |  |  |
| Hose kit                      | 43                              |                      |  |  |  |
| Hub Cap                       | 39                              |                      |  |  |  |
| <b>I</b>                      |                                 |                      |  |  |  |
| Ignition Coil                 | 81                              |                      |  |  |  |
| Ignition Systems, electronic  | 84                              |                      |  |  |  |
| Indicator lamps               | 70                              |                      |  |  |  |
| Instruments                   | 75/77/79                        |                      |  |  |  |
| <b>J</b>                      |                                 |                      |  |  |  |
| Jack Ratchet Handle           | 87                              |                      |  |  |  |
| <b>L</b>                      |                                 |                      |  |  |  |
| Lamp (Map): Dashboard         | 70                              |                      |  |  |  |
| Lamp: Indicators (front/rear) | 70                              |                      |  |  |  |
| Lamp: Number plate            | 70                              |                      |  |  |  |
| Lamp: Tail Assembly           | 70                              |                      |  |  |  |
| Locking wire                  | 33                              |                      |  |  |  |
| <b>M</b>                      |                                 |                      |  |  |  |
| Map lamp                      | 70                              |                      |  |  |  |
| Mirrors                       | 64/66/68                        |                      |  |  |  |
| Mountings, Engine             | 5/13                            |                      |  |  |  |
| <b>N</b>                      |                                 |                      |  |  |  |
| Number Plate Lamp             | 70                              |                      |  |  |  |
| Nut, cylinder head            | 10/16                           |                      |  |  |  |
| <b>O</b>                      |                                 |                      |  |  |  |
| Oil Filter Element            | 9/15                            |                      |  |  |  |
| Oil Pressure Release Valve    | 9/15                            |                      |  |  |  |
| Oil Pressure Sender Unit      | 81                              |                      |  |  |  |
| Oil Pump                      | 7/14                            |                      |  |  |  |
| Oil Seals, differential       | 30                              |                      |  |  |  |
| Over rider                    | 60                              |                      |  |  |  |
| <b>P</b>                      |                                 |                      |  |  |  |
| Piston, Brake Caliper         | 35                              |                      |  |  |  |
| Piston Ring Sets              | 5/13                            |                      |  |  |  |
| Piston Sets                   | 5/13                            |                      |  |  |  |
| Polybush Kits                 | 31                              |                      |  |  |  |
| Production Data               | 2                               |                      |  |  |  |
| Propshaft & Fittings          | 29                              |                      |  |  |  |
| Pulley, crankshaft            | 5/13                            |                      |  |  |  |
| <b>R</b>                      |                                 |                      |  |  |  |
| Radiator                      | 43                              |                      |  |  |  |
| Radiator Cap                  | 43                              |                      |  |  |  |
| Radiator Hose Kits            | 43                              |                      |  |  |  |
| Rear Axle Differential        | 30                              |                      |  |  |  |
| Rear lamps                    | 70                              |                      |  |  |  |
| Relay Unit, indicator         | 81                              |                      |  |  |  |
| Release (Clutch) Bearing      | 25                              |                      |  |  |  |
| Rotor Arm                     | 81                              |                      |  |  |  |
| <b>S</b>                      |                                 |                      |  |  |  |
| Seal Kit, brake master cyl    | 37                              |                      |  |  |  |
| Seal Kit, front & rear brakes | 35                              |                      |  |  |  |
| Seal Kit, clutch master cyl   | 25                              |                      |  |  |  |
| Seal Kit, clutch slave cyl    | 25                              |                      |  |  |  |
| Sender Unit, Brake Fluid      | 37                              |                      |  |  |  |
| Sender Unit, Fuel             | 49                              |                      |  |  |  |
| Sender Unit, Oil pressure     | 81                              |                      |  |  |  |
| Sender Unit, Temperature      | 81                              |                      |  |  |  |
| Shock Absorber, front         | 31                              |                      |  |  |  |
| Shock Absorber, rear          | 33                              |                      |  |  |  |
| Sills                         | 51                              |                      |  |  |  |
| Spark Plug                    | 81                              |                      |  |  |  |
| Speedometer                   | 75/77/79                        |                      |  |  |  |
| Speedometer Cable             | 75/77/79                        |                      |  |  |  |
| Spring, rear, coil            | 33                              |                      |  |  |  |
| Sprocket, camshaft            | 12                              |                      |  |  |  |
| Sprocket, crankshaft          | 18                              |                      |  |  |  |
| Steering Joints               | 41                              |                      |  |  |  |
| Steering UJ                   | 41                              |                      |  |  |  |
| Steering Wheel                | 41                              |                      |  |  |  |
| Stud, cylinder head           | 5                               |                      |  |  |  |
| Stud, exhaust manifold        | 10/16                           |                      |  |  |  |
| Sump                          | 5/13                            |                      |  |  |  |
| Suspension Overhaul Kits      | 31                              |                      |  |  |  |
| Switches                      | 75/77/79                        |                      |  |  |  |
| Synchro Ring, gearbox         | 26                              |                      |  |  |  |
| <b>T</b>                      |                                 |                      |  |  |  |
| Tachometer                    | 75/77/79                        |                      |  |  |  |
| Tail lamp                     | 70                              |                      |  |  |  |
| Tappet (Cam Follower)         | 10/16                           |                      |  |  |  |
| Thermostat                    | 45                              |                      |  |  |  |
| Timing Chain                  | 12/18                           |                      |  |  |  |
| Timing Chain Kits             | 12                              |                      |  |  |  |
| Timing Chain Tensioner        | 12/18                           |                      |  |  |  |
| Tools                         | 87/88/89                        |                      |  |  |  |
| Trim Kits                     | 91                              |                      |  |  |  |
| <b>U</b>                      |                                 |                      |  |  |  |
| Universal Joint, driveshaft   | 33                              |                      |  |  |  |
| Universal Joint, propshaft    | 29                              |                      |  |  |  |
| Universal Joint, steering     | 41                              |                      |  |  |  |
| <b>V</b>                      |                                 |                      |  |  |  |
| Vacuum Advance Unit           | 82                              |                      |  |  |  |
| Valve Guides                  | 10/16                           |                      |  |  |  |
| Valve, engine                 | 10/16                           |                      |  |  |  |
| <b>W</b>                      |                                 |                      |  |  |  |
| Washer Bottle                 | 73                              |                      |  |  |  |
| Washer Foot Valve             | 73                              |                      |  |  |  |
| Washer Jet Assembly           | 73                              |                      |  |  |  |
| Water Pump                    | 8/15                            |                      |  |  |  |
| Windows                       | 58                              |                      |  |  |  |
| Windscreen                    | 58                              |                      |  |  |  |
| Wiper Arm                     | 73                              |                      |  |  |  |
| Wiper Blade                   | 73                              |                      |  |  |  |
| Wiper Motor                   | 73                              |                      |  |  |  |