

# INTRODUCTION

Buy on-line at [www.sngbarratt.com](http://www.sngbarratt.com)

## WELCOME TO THE SNG BARRATT JAGUAR MK2 PARTS CATALOGUE

Following the Worldwide success of our Definitive Jaguar Owners Catalogue which covers over 20 classic models in one 300 page publication, we have taken the decision to release a range of more detailed catalogues for each of the more popular models that we cover. This will allow us to better illustrate the parts we have available and to make identification of the item required a little easier.

## HOW TO USE THIS CATALOGUE...

Use the illustration in each section to identify the component that you require. Note the indicated item number and find the corresponding number in the section listing. There you will see our part number for that item, the description and to its right the quantity required per car. Very often this will be the original Jaguar part number, thus allowing you to refer to an original factory parts catalogue if more detail is required.

Each part number is listed in our price list. This listed price is per item and is plus VAT (or BTW or Mwst where applicable), except in the case of books and other VAT exempt items.

If you then quote this part number when contacting our sales department, we will be able to confirm the cost and whether we have the part in stock.

If you cannot conclusively identify the item that you require then please call and we will to assist you. Our staff have many years of experience with all aspects of the Jaguar marque and may have just the answer...



## YOUR CUSTOMER NUMBER

Upon dealing with SNG Barratt for the first time you will be allocated a customer number. In most cases this will be your UK postcode or in the USA your telephone number. However if you are outside the UK/USA your sales advisor will use either your postal area code or a number devised using your surname. This customer number can either be found on your invoice or simply by asking the person serving you. The ability to provide your customer number when contacting our sales department will allow us to access your information far faster and serve you even more efficiently.

Customer number.....

## YOUR VEHICLE DETAILS

Please complete this section as accurate vehicle information at your finger tips will prove to be invaluable. Very often identifying the correct part for you car can be all down to chassis or engine number. These details can best be found on the car itself, as registration documents can often prove to be incorrect due to engine swaps and vehicle upgrades that the DVLA have not been advised of. Please refer to the Vehicle Identification section on page 2 if you wish to cross reference any information.

Year of manufacture.....

Chassis number.....

Engine 2.4 / 2.5 / 3.4 / 3.8

Engine number.....

Gearbox Automatic / Manual

SNG Barratt Jaguar MK2, V8 & S-Type Parts Catalogue  
**2.4/3.4/3.8 Oil Pump**  
 Buy on-line at [www.sngbarratt.com](http://www.sngbarratt.com)

Item number	Description	Part number	Quantity required per car
1.	Oil pump drive shaft	C9546	1
	Woodruff key	C753	1
2.	Drive shaft bush	C8647	1
3.	Oil pump gear washer	C2393	1
4.	Oil pump gear	C2152	1
5.	Oil pump gear lock washer	C2151	1
6.	Oil pump gear lock nut	NTC09041	1
12.	Oil pump assembly* (* Please use ENG105 adaptor when fitting this pump to early engines.)	PDL708	1
	High flow alternative	C21765/2HP	1
	High capacity alternative	C21765/2HC	1
13.	Bracket	C26367 RH	1
		C26368 LH	1
14.	Sealing ring	C8645	1



+44 (0) 1746 765432  
[sales.uk@sngbarratt.com](mailto:sales.uk@sngbarratt.com)



+1 603 622 1050  
[sales.usa@sngbarratt.com](mailto:sales.usa@sngbarratt.com)



+33 3 85 201 420  
[sales.fr@sngbarratt.com](mailto:sales.fr@sngbarratt.com)



+31 13 52 11 552  
[sales.nl@sngbarratt.com](mailto:sales.nl@sngbarratt.com)



# VEHICLE IDENTIFICATION

Buy on-line at [www.sngbarratt.com](http://www.sngbarratt.com)



	<u>Chassis Number</u>	<u>Engine Number</u>	<u>Production Commenced</u>	<u>Production Ceased</u>
<u>MK2 2.4</u>				
RHD	100001	BG1001/BH1001/BJ1001	1959	1967
LHD	125001	-		
<u>MK2 240</u>				
RHD	1J1001	7J1001	1967	1969
LHD	IJ30001	-		
<u>MK2 3.4</u>				
RHD	150001	KG1001/KH1001/KJ1001	1959	1967
LHD	175001	-		
<u>MK2 3.8</u>				
RHD	200001/230001	LA1001/LB1001/LC1001/LE1001	1959	1967
LHD	210001	-		
<u>MK2 340</u>				
RHD	IJ50001	7J50001	1967	1968
LHD	IJ80001	-		

**MK2**



**240/340**



S-TYPE 3.4

RHD  
LHD

1B1001  
1B25001

7B1001  
-

1963

1968

S-TYPE 3.8

RHD  
LHD

1B50001  
1B75001

7B50001  
-

1963

1968

**S-TYPE**



DAIMLER V8 2.5

RHD  
LHD

1A1001  
1A20001

7A1001

1962

1967

DAIMLER V8 250

RHD  
LHD

1K1001  
1K30001

7K1001

1967

1969

**V8**





## **Engine**

2.4/3.4/3.8 Engine Block	4
2.4/3.4/3.8 Oil Pump	7
2.4/3.4/3.8 Water Pump	8
2.4/3.4/3.8 Oil Filter	9
2.4/3.4/3.8 Cylinder Head	10
2.4/3.4/3.8 Timing Gear	12
Daimler V8 Engine	13
SU Carburettors & Air Filters	14

## **Transmission**

Clutch Mechanism	17
2.4/3.4/3.8 Manual Gearbox	18
Automatic Gearbox	19
Propshaft	19
MK2 & V8 Rear Axle	20
S-Type Differential	21

## **Brakes, Suspension & Steering**

Front Suspension	22
MK2 & V8 Rear Suspension	24
S-Type Rear Suspension	25
MK2 & V8 Brakes	27
Early S-Type Brakes	28
Late S-Type Brakes	29
S-Type Handbrake Calipers	30
Braking System Components	31
Roadwheels	33
Steering	34

## **Cooling, Exhaust & Fuel Systems**

Cooling System	35
MK2 Exhaust Systems	36
S-Type & V8 Exhaust Systems	37
Fuel System	38

## **Body & Body Fittings**

MK2, V8, 240 & 340 Body Panels	39
S-Type Body Panels	41
MK2/V8 Body Rubbers	43
S-Type Body Rubbers	45
Body Glass & Badges	47
Bumpers	48
Body Fittings	49

## **Lighting & Electrical System**

MK2 & V8 Lamps & Lighting	51
S-Type Lamps & Lighting	53
Wash Wipe Components	55
Dashboard, Switches & Gauges	56
Wiring Looms	58
General Electrics	59
Oils, Fluids & Consumables	60
Electronic Ignition Conversion Kits	61

## **Miscellaneous**

MK2 & V8 Heating System	62
Tools	63
Motifs & Decals	64
Interior Trim	66
Seatbelts	67
Master Index	68

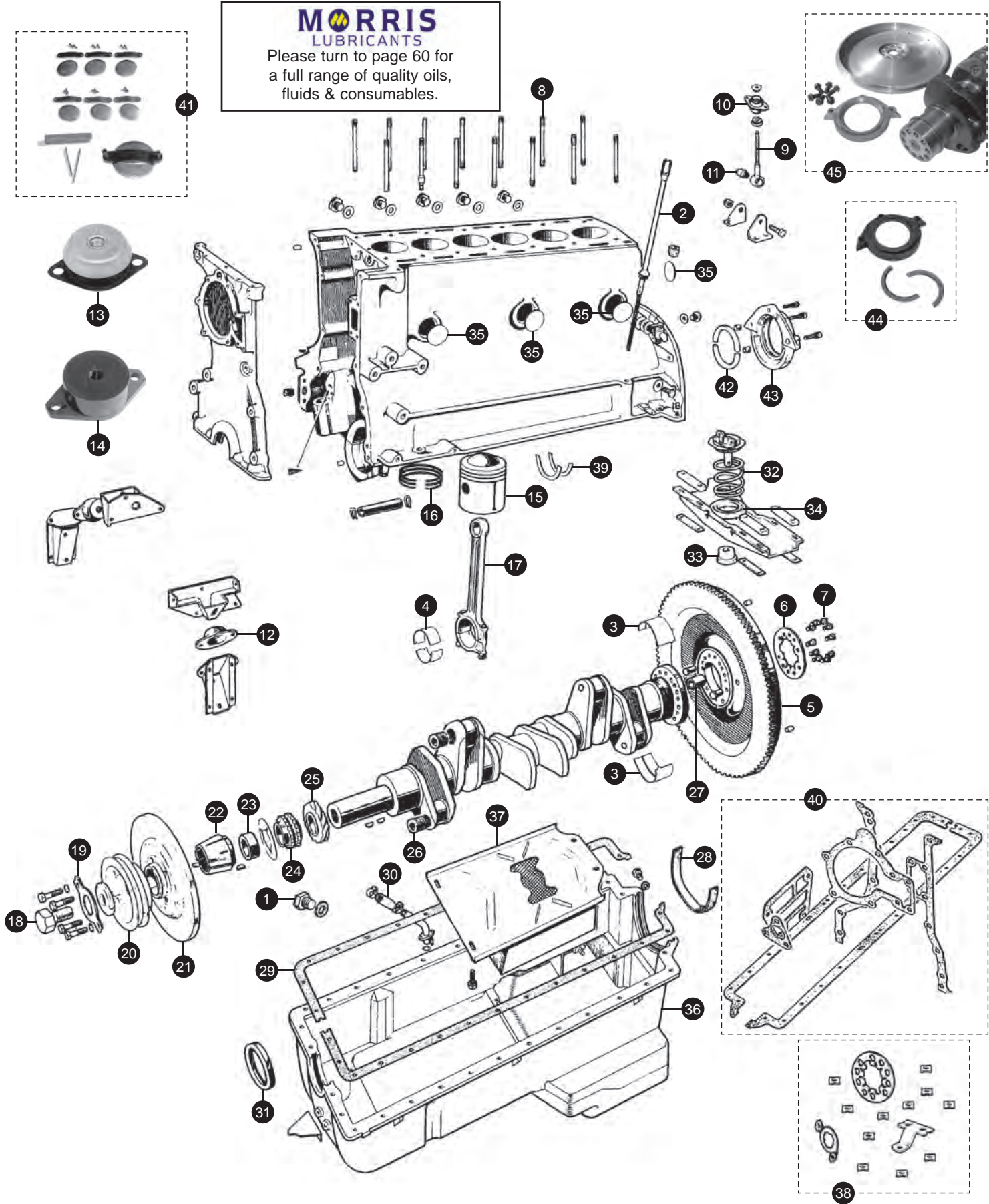


# 2.4/3.4/3.8 ENGINE BLOCK

Buy on-line at [www.sngbarratt.com](http://www.sngbarratt.com)



**MORRIS LUBRICANTS**  
 Please turn to page 60 for a full range of quality oils, fluids & consumables.





## 2.4/3.4/3.8 ENGINE BLOCK

Buy on-line at [www.sngbarratt.com](http://www.sngbarratt.com)

<b>1. Sump drain plug</b>	C23435	1
<b>Sump drain plug washer</b>	C2296/1	1
<b>2. Oil level dipstick</b>		
MK2 2.4	C12620	1
MK2 3.4/3.8	C17527	1
S-Type	EAC6713	1
<b>3. Crankshaft main bearings</b>		
All models	M7118LC	1 set
(Available in Standard to +40 sizes. Simply add required size to partnumber above, i.e. M7118LC/40)		
<b>4. Connecting rod bearings</b>		
All models	B6545LC	1 set
(Available in Standard to +40 sizes. Simply add required size to partnumber above, i.e. B6545LC/40)		
<b>5. Manual gearbox flywheel</b>		
MK2 2.4	C23170	1
MK2 3.4/3.8	C14921	1
S-Type	C14921	1
(For ring gear only add suffix RG)		
<b>Performance Aluminium Flywheels</b>		
Manufactured to the very highest specification our performance aluminium flywheels give a fabulous increase in performance when fitted to either a standard or high performance Jaguar engine. At the same time they offer the benefits of longer engine life, due to the reduced stress exerted on the crankshaft and bearings. This is because of the better moment of inertia characteristics that is possible through the use of aluminium instead of the standard steel, as well as the obvious gains in horsepower.		
3.4/3.8 models only	GTJF1	1
<b>6. Flywheel lock tab</b>		
All models	C4810	1
<b>7. Flywheel bolts</b>		
Manual	C4855	10
Automatic	C6839	10
<b>8. Cylinder head studs</b>		
MK2 2.4	BG1001-BG9999 (164mm)	C29035 13
	BH1001-BH9999 (165mm)	C2270 1
	BJ1001-BJ3661	
	BJ3662 on (164mm)	C29035 10
	7J1001 on (173mm)	C23609 3
	175mm	C23610 1
MK2 3.4/3.8	164mm	C29035 10
S-Type	173mm	C23609 3
	175mm	C23610 1
<b>9. Steady bar</b>	C12890	1
<b>Steady bar washer</b>		
plain	C11607	1
threaded	C11688	1
<b>Locking nut</b>	NY606041J	1

<b>10. Steady bar mounting</b>	C20218	1
<b>11. Steady bar eye bush</b>	C10940	1
<b>12. Engine mounting</b>		
All models	C18556	2
<b>13. Uprated engine mounting</b>	C18556U	2
<b>14. Competition solid engine mounting</b>	C18556solid	2
<b>15. Engine piston</b>		
2.4	C15673S	6
3.4	8:1 11546	6
3.8	8:1 18393	6
	9:1 20615	6
(Available in Standard to +40 sizes. Simply add required size to partnumber above, i.e. 11546/40)		
<b>16. Piston ring set</b>		
2.4	NLA	
3.4	R39420	1 set
3.8	8:1 R16586	1 set
	9:1 R32592	1 set
(Please note early 4 ring sets are no longer available. Available in Standard to +40 sizes. Simply add required size to partnumber above, i.e. R39420/20)		
<b>17. Crankshaft connecting rod</b>		
2.4	NLA	
3.4/3.8	RTC2995E	1 set
<b>Connecting rod bolt</b>	C32344	12
<b>Connecting rod nut</b>	EAC5541	12
<b>18. Crankshaft pulley bolt</b>		
All models	C5896	1
<b>19. Pulley bolt locktab</b>		
All models	C2467	1
<b>20. Crankshaft pulley</b>		
MK2 2.4	BG1001-BG9999	C14721 1
	BH1001-BH3893	
	BH3894-BH5364	C18904 1
	BH5365 on	C19527 1
	BJ6132 on	C24921 1*
	7J1001 on	
(*This is a complete pulley and damper assembly)		
MK2 3.4	KG1001-KG9999	C14589 1
	KH1001-KH4022	
	KH4023 on	C19517 1
	1J50001 on 340	
MK2 3.8	LA1001-LA9999	C14589 1
	LB1001-LC1671	
	LC1672 on	C19517 1

**2.4/3.4/3.8 ENGINE BLOCK**Buy on-line at [www.sngbarratt.com](http://www.sngbarratt.com)

<b>21. Crankshaft damper</b>								
MK2 2.4	BG1001-BG9999	C12037R	1	Std box		C459021	1	
	BH1001-BH9999			3.4	1B2768 on 1B25380 on			
	BJ1001-BJ6131			3.8	1B52998 on 1B76908 on			
MK2 3.4/3.8/340		C15274	1	O/D box		C12299	1	
S-Type 3.4/3.8		C15274	1	O/D box		C459021	1	
				3.4	1B2192 on 1B25301on			
				3.8	1B52078 on 1B76310			
<b>22. Crankshaft cone</b>		C2466	1	All auto models		C459021	1	
<b>23. Distance piece</b>		C40147	1	<b>33. Rear engine spring centre bush</b>		C12265	1	
<b>24. Timing chain gear</b>		C2170	1	<b>34. Rear engine spring seat</b>		CBC2517	1	
<b>25. Oil pump drive gear</b>		C2314	1	<b>35. Core plug</b>				
<b>26. Crankshaft sludge plug</b>		C4283	6	All models	44mm	C315	7	
<b>27. Spigot bearing</b>		C2226	1		25mm	C317	1	
<b>28. Rear sump oil seal</b>				<b>36. Oil sump</b>				
Cork		C2302	1	MK2 2.4	BG1001 - BG5890	C15964	1	
Rubber		C36499	1	(steel)				
<b>29. Sump gasket</b>		C19590	1	MK2 2.4	BG5891 - BG9999	C20003	1	
<b>30. Oil return hose</b>		C12861	1	(steel)	BH1001 - BH9999			
<b>31. Front sump oil seal</b>		EAC8815	1		BJ1001 - BJ2263			
<b>32. Rear engine mounting spring (gearbox)</b>				MK2 2.4	BJ2264 on	C24502	1	
MK2 2.4	100001-119199	C459021	1	(alloy)	7J1001 on			
Std box	125001-127821			MK2 3.4/3.8	3.4 KG1001 - KG4674	C15964	1	
O/D box	100001-119199	C12299	1	(steel)	3.8 LA1001 - LA7449			
	125001-127821			MK2 3.4/3.8	3.4 KG4675 - KG9999	C20003	1	
Std & O/D	119200 on	C12299	1	(steel)	3.4 KH1001 - KH9999			
	127822 on				3.4 KJ1001 - KJ2790			
	1J1001 on				3.8 LA7450 - LA9999			
	1J30001 on				3.8 LB1001 - LB9999			
All auto models		C459021	1		3.8 LC1001 - LC8067			
MK2 3.4	150001-169340	C459021	1	MK2 3.4/3.8	3.4 KJ2791 on	C24502	1	
Std box	175001-180187			(alloy)	3.8 LC8068 on			
	200001-210000				340 7J50001 on			
O/D box	150001-169340	C12299	1	S-Type 3.4/3.8		C24502	1	
	175001-180187			<b>37. Sump filter basket/sump baffle</b>				
Std & O/D	169341 on	C12299	1	<i>For sump C15964</i>		C9166	1	
	180188 on			<b>Retaining cover for C9166</b>		C9171	1	
MK2 3.8	230001-234124	C459021	1	<i>For sump C20003</i>		C16905	1	
Std box	210001-224149			<b>Retaining cover for C16905</b>		C16903	1	
O/D box	230001-234124	C12299	1	<i>For sump C24502</i>		C25242	1	
	210001-224199			<b>38. Engine lock tab set</b>				
Std & O/D	234125 on	C12299	1	3.4/3.8 only		EN1034	1	
	224150 on			<b>39. Crankshaft thrust washers</b>				
All auto models		C459021	1	Standard size		C34744	2	
S-TYPE 3.4/3.8		C459021	1	Oversize	0.004" approx	C347441	2	
Std box								





## 2.4/3.4/3.8 ENGINE BLOCK

Buy on-line at [www.sngbarratt.com](http://www.sngbarratt.com)

### 40. Lower engine gasket set

MK2 2.4	EE532	1
MK2 240	GEG258	1
MK2 3.4	EE532	1
MK2 340	GEG258	1
MK2 3.8	EE532	1
S-Type 3.4	EE532	1
S-Type 3.8	EE532	1

### 41. Engine core plug strap kit (supplied complete with drill & tap to enable correct fitment)

C317FK	1
--------	---

42. Rear crankshaft rope oil seal	C19654	2
43. Rear crankshaft oil seal housing	C19687	1

### 44. Rear crank oil seal conversion for 6 cyl XK engines.

Prevents oil loss by replacing original style asbestos rope seal with modern rubber alternative. Crank will require machining to facilitate fitment.

C19687CONVMIN	1
---------------	---

### 45. Rear crank oil seal conversion for 6 cyl XK engines.

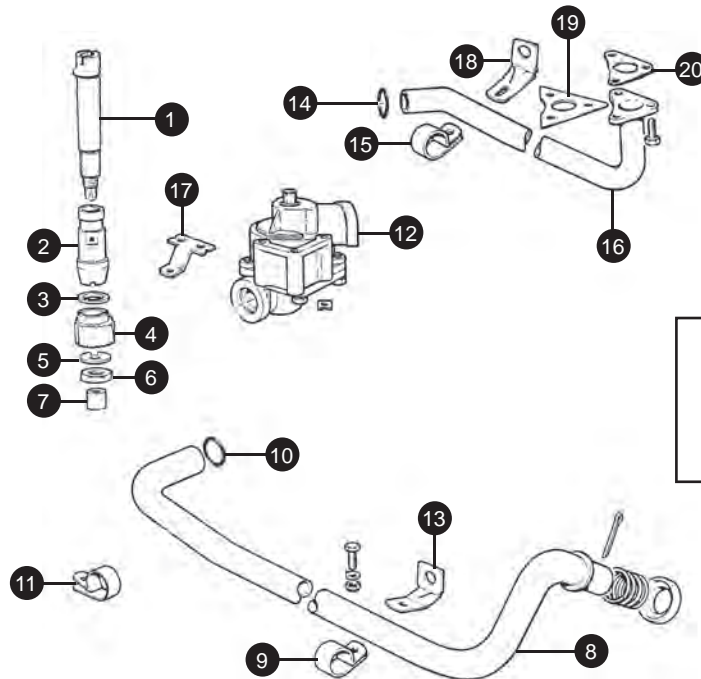
The very finest rear oil seal conversion available for the XK engine. Requires some engine modification, please ring for more details.

C19687CONVMAJ	1
---------------	---



## 2.4/3.4/3.8 OIL PUMP

Buy on-line at [www.sngbarratt.com](http://www.sngbarratt.com)



**MORRIS**  
LUBRICANTS

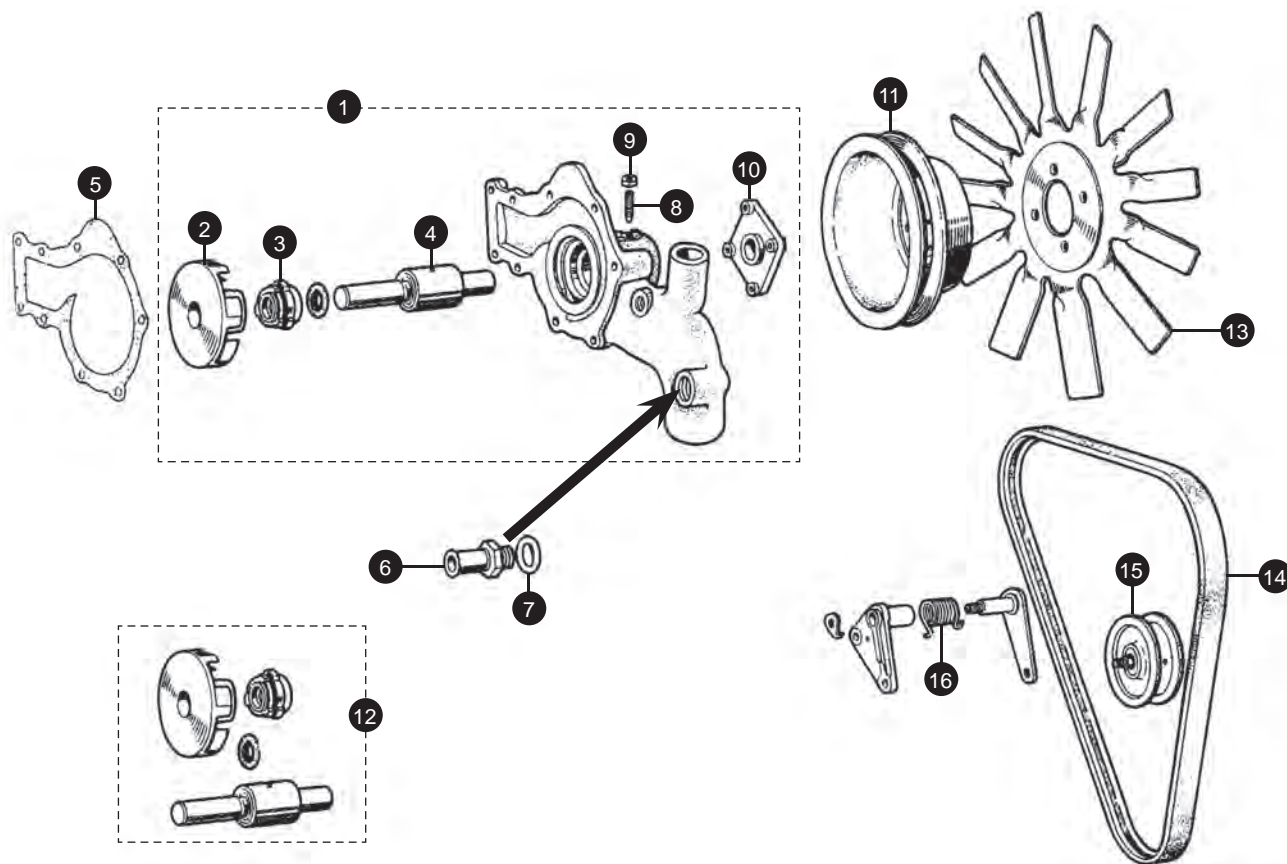
Please turn to page 60 for a full range of quality oils, fluids & consumables.

1. Oil pump drive shaft	C8646	1
Woodruff key	C753	1
2. Drive shaft bush	C8647	1
3. Oil pump gear washer	C2393	1
4. Oil pump gear	C2152	1
5. Oil pump gear lock washer	C2151	1
6. Oil pump gear lock nut	NT609041	1
7. Oil pump drive shaft coupling	C8648	1
8. Oil suction pipe	C21762	1
9. Oil suction pipe retaining clip	C21794	1
10. Sealing ring	C21848	1
11. Oil suction pipe retaining clip	C21794	1

12. Oil pump assembly*	C21765/2	1*
(* Please use ENG105 adaptor when fitting this pump to early engines)		
High flow alternative	C21765/2HP	1
13. Bracket	C28367 RH	1
	C28368 LH	1
14. Sealing ring	C8649	1
15. Delivery pipe clip	C6824	1
16. Oil delivery pipe	C22595	1
17. Oil pump strut	C21793	1
18. Oil pipe support	C28369	1
19. Tab washer	C22952	1
20. Gasket	C22598	1

# 2.4/3.4/3.8 WATER PUMP

Buy on-line at [www.sngbarratt.com](http://www.sngbarratt.com)



### 1. Water pump assembly

All models C15694 1

### 2. Impellor

All models C22798 1

### 3. Seal

All models C6773 1

### 4. Bearing

All 6 cylinder models C8167/1 1

### 5. Gasket

All models C2303 1

### 6. Heater outlet adaptor

C17421 1

### 7. Washer

C2296/1 1

### 8. Locating grub screw

C23128 1

### 9. Locknut

NT609041 1

### 10. Flange

C25082 1

### 11. Pulley

MK2 2.4 BG1001 - BG9999 C14588 or 1  
BH1001 - BH5364 C18702

BH5365 on C20176 1  
7J1001 on

MK2 3.4 KG1001 - KG9999 C14588 or 1  
KH1001 - KH4022 C18702

KH4023 on C20176 1

MK2 3.8 LB1001 - LB9999 C14588/ 1  
LC1001 - LC1671 C18702

LC1672 on C20176 1

340 7J50001 C20176 1

S-Type 3.4/3.8 C20176 1

### 12. Water pump repair kit

Not interchangeable with standard parts listed above  
SBS7272 1

### 13. Waterpump fan

All models C12391 1

### 14. Fanbelt

MK2 2.4 C19523 1

MK2 3.4/3.8/340 C19525 1

S-Type 3.4/3.8 C19525 1

### 15. Jockey pulley

Early Single V belt C18733 1

Later Double V belt C19521 1

16. Tension spring for jockey pulley C18447 1





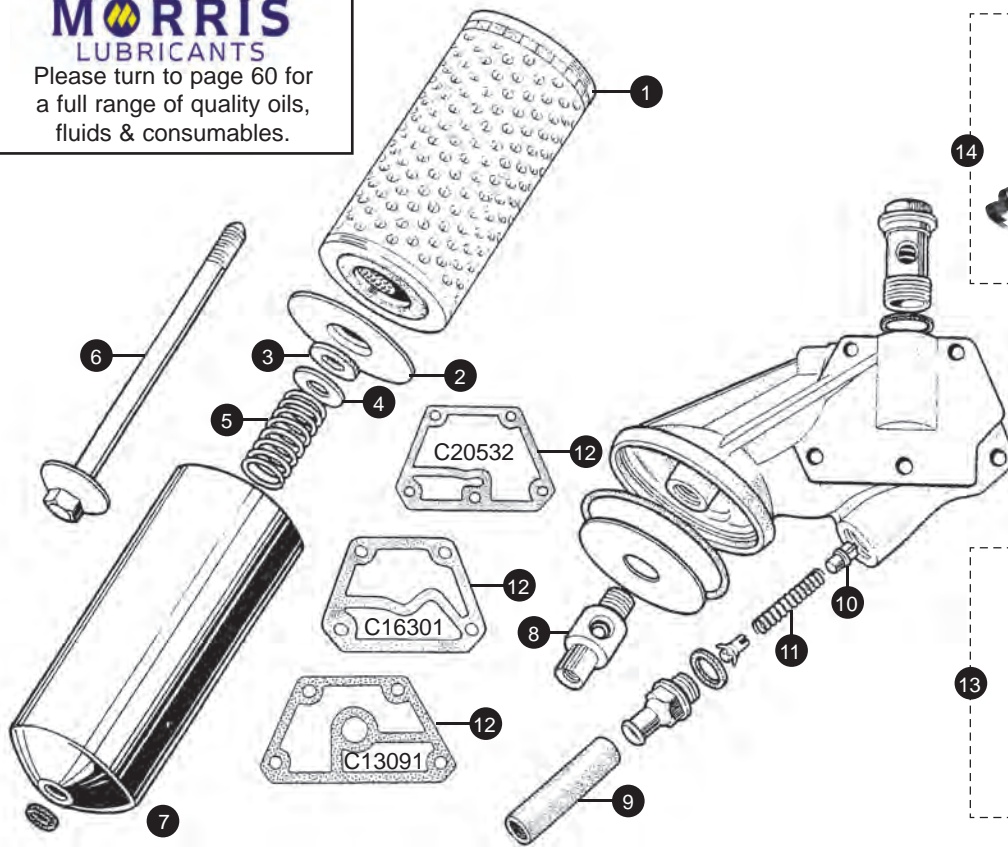


# 2.4/3.4/3.8 OIL FILTER

Buy on-line at [www.sngbarratt.com](http://www.sngbarratt.com)

**MORRIS**  
LUBRICANTS

Please turn to page 60 for a full range of quality oils, fluids & consumables.



**Oil Cooler Kit**



**Spin Off Oil Filter Kit**

**1. Paper oil filter element**

Paper	JLM9544	1
Felt alternative	JLM9544F	1

**2. Retaining plate**

6886	1
------	---

**3. Felt washer**

11665	1
-------	---

**4. Plain washer**

6160	1
------	---

**5. Retaining spring**

6159	1
------	---

**6. Cannister bolt**

7987	1
------	---

**7. Seal under bolt head**

6158	1
------	---

**8. Retaining insert for main bolt**

'Shouldered' type	6148	1
'Straight' type 9348	1	

**9. Oil filter by-pass hose**

C12861	1
--------	---

**10. Pressure relief valve**

Early upward facing oil filter	7310	1
Later downward facing oil filter	2714	1

**11. Pressure relief valve spring**

Early upward facing oil filter	7315	1
Later downward facing oil filter	8105	1

**12. Oil filter housing gasket**

MK2 2.4	BG1001-BG5890	C13091	1
	BG5891-BG9999	C16301	1
	BH1001-BH7968		
	BH7969 on	C20532	1

240	BJ1001 on	C20532	1
MK2 3.4/3.8	3.4 KG1001-KG4674	C13091	1
	3.8 LA1001-LA7449		
	3.4 KG4675-KG9999	C16301	1
	3.4 KH1001-KH7062		
	3.8 LA7450-LA9999		
	3.8 LB1001-LB9999		
	3.8 LC1001-LC4264		
	3.4 KH7063 on	C20532	1
	3.8 LH4264 on		

340	KJ1001 on	C20532	1
S-Type		C20532	1

**13. Spin-on oil filter conversion kit**

Your engine benefits from the improved oil filtration that modern filters offer and it makes oil changes far easier too!

Early*	OFK16	1
Late*	OFK18	1

\* Engine number required to identify correct kit for your car.

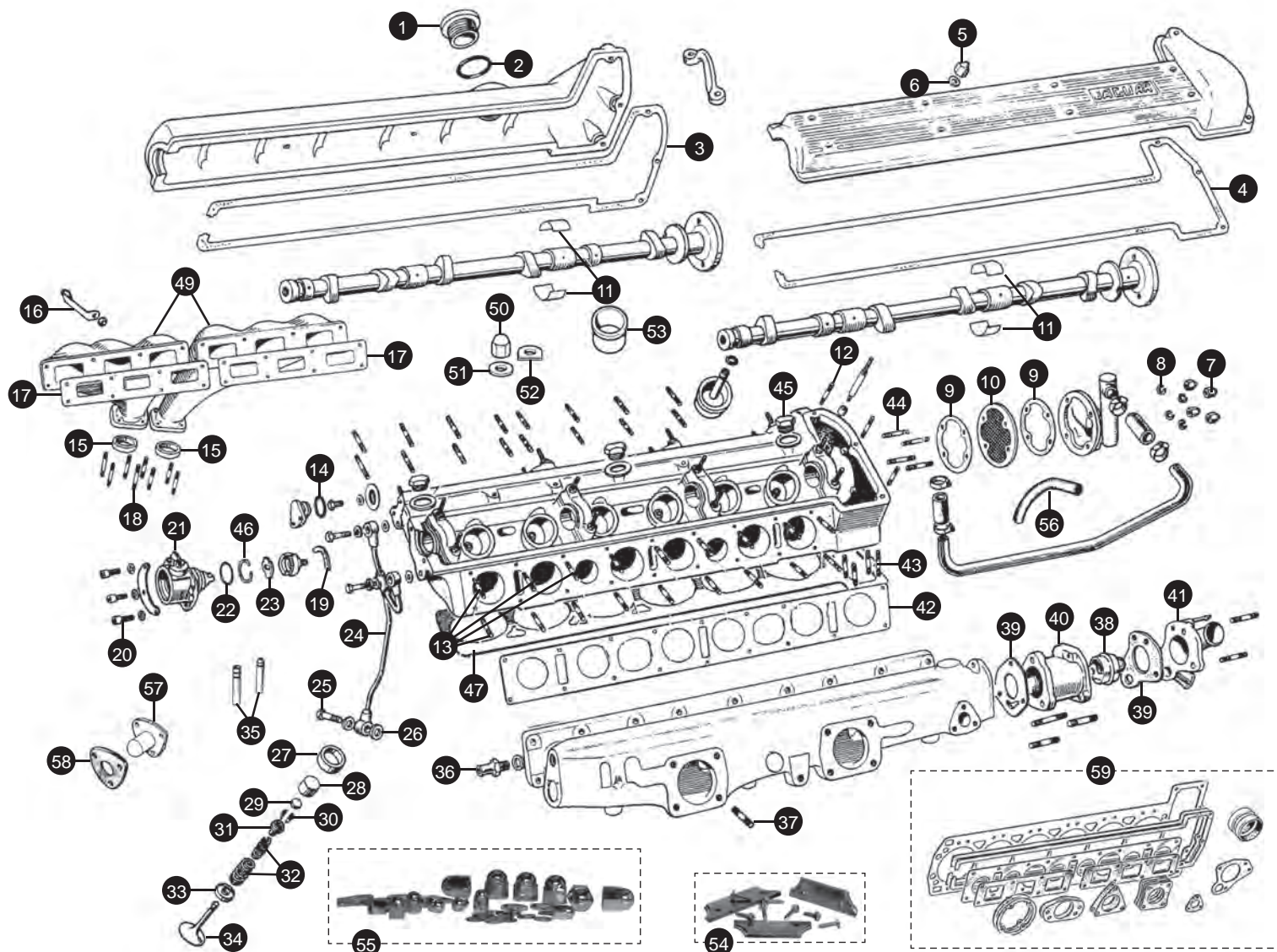
**14. Oil cooler conversion with spin-on oil filter**

Cooler oil retains its viscosity under heavy load providing improved lubrication, reducing friction and wear. Perfect for fast road and track day applications.

All models	SBS1072	1
------------	---------	---

# 2.4/3.4/3.8 CYLINDER HEAD

Buy on-line at [www.sngbarratt.com](http://www.sngbarratt.com)



<b>1. Oil filler cap</b> Round polished Jaguar	C1022	1
<b>2. Oil filler cap sealing ring</b> Fibre washer type Rubber seal type	C419 C25480	1 1
<b>3. Cam cover gasket LH</b>	C67351	1
<b>4. Cam cover gasket RH</b>	C149881	1
<b>5. Cam cover nut</b>	C2327	22
<b>6. Cam cover washer</b>	FW104E	22
<b>7. Breather cover nut</b>	C2327	4
<b>8. Breather cover washer</b>	FW104E	4
<b>9. Breather cover gasket</b>	C2227	2
<b>10. Breather gauze</b>	C37282	1
<b>11. Camshaft bearing set</b>	RTC2347	1
<b>12. Camshaft cover studs</b> Front of head (plain)	C67272	6
<b>13. Manifold attachment stud</b> Inlet & exhaust	C11761	32
<b>14. Sealing ring</b>	C19044	1

<b>15. Exhaust seal</b>	EBC9388	2
<b>16. Dipstick bracket</b>	C15848	1
<b>17. Exhaust manifold gasket</b>	C2318AF	2
<b>18. Exhaust downpipe stud</b>	C2369	8
<b>19. Generator seal</b>	C14991	1
<b>20. Fixing screws</b>	C14992	3
<b>21. Rev counter generator</b>	C14996	1
<b>22. Sealing ring</b>	C14990	1
<b>23. Drive dog</b>	C25426	1
<b>24. Camshaft feed pipe (not 2.4)</b> Std rigid type Flexible type	C25619 C25619F	1 1
<b>25. Banjo bolt</b>	C5846	3
<b>26. Sealing washer</b>	C4146	6
<b>27. Valve insert</b> Inlet Exhaust	C29122 C291241	6 6
<b>28. Tappet</b> Standard Modern lightweight	C44010 NAC2543AA	12 12



UK - Bridgnorth  
+44 (0) 1746 765 432  
[sales.uk@sngbarratt.com](mailto:sales.uk@sngbarratt.com)



USA - Manchester NH  
+1 800 452 4787 (toll free)  
[sales.usa@sngbarratt.com](mailto:sales.usa@sngbarratt.com)



FRANCE - Charney les Macon  
+33 (0) 3 85 20 14 20  
[sales.fr@sngbarratt.com](mailto:sales.fr@sngbarratt.com)




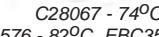










HOLLAND - Oisterwijk  
+31 (0) 13 52 11 552  
[sales.nl@sngbarratt.com](mailto:sales.nl@sngbarratt.com)



# 2.4/3.4/3.8 CYLINDER HEAD

Buy on-line at [www.sngbarratt.com](http://www.sngbarratt.com)

<b>29. Tappet gap shim</b>			
0.001 increments	C2243A to Z	A/R	
(Add P i.e. C2243AP for 0.0005 increments)			
<b>30. Valve cotter</b>			
	EBC2997	12 prs	
<b>31. Valve collar</b>			
	C27480	12	
<b>32. Valve spring set</b>			
	VSP480P	1	
<b>33. Valve spring seat</b>			
	C27481	12	
<b>34. Engine Valves</b>			
Inlet	EAC1547	6	
Exhaust	EAC1548	6	
<b>35. Valve guides</b>			
	<u>Steel</u>	<u>Bronze</u>	
Inlet	VAG92198 1st o/s	ENG102	6
	VAG50914 2nd o/s	ENG102/1	6
Exhaust	VAG92199 1st o/s	ENG103	6
	VAG50913 2nd o/s	ENG103/1	6
<b>36. Adaptor</b>			
	C17421	1	
<b>37. Carburettor stud</b>			
	C6570	8	
<b>38. Thermostat</b> (use the photo to identify the type you have.)			
			
	C27650 - 74°C	C27650/1 - 82°C	C3731/1 - 74°C
			
	C28067 - 74°C	EBC3576 - 82°C	EBC3577 - 88°C
Bellows type	70-75 degree	C3731/1	1
Foot type	74 degree	C28067	1
	82 degree	EBC3576	1
	88 degree	EBC3577	1
Plain type	74 degree	C27650	1
	82 degree	C276501	1
<b>39. Thermostat gasket</b> (use the photo to identify the type you have).			
			
	EAC7044	C4985	C28222
			
	EAC7045	C23234	C23234
<b>40. Thermostat housing</b>			
240	7J1001 on	C28370	1
340	7J 50001 on	C28370	1
<b>41. Water outlet pipe</b>			
MK2 2.4	BG1001 on	C15799	1
	BH1001 on		

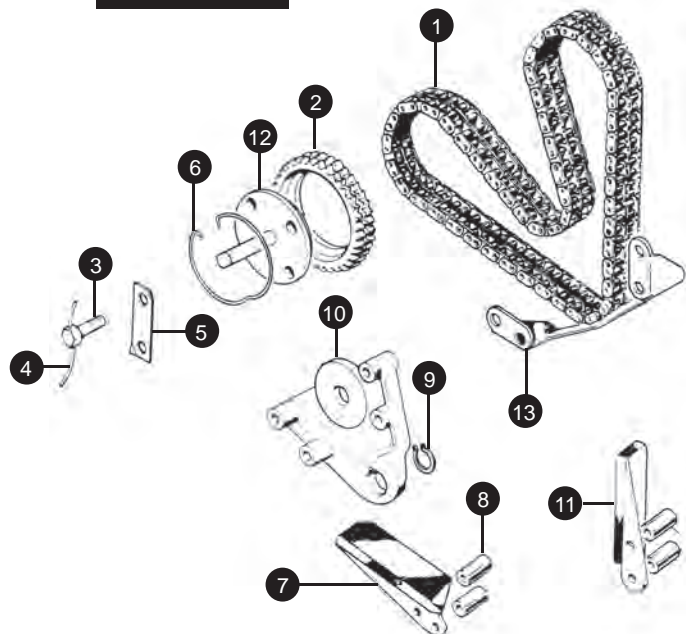
MK2 3.4/3.8	All models	C15800/2	1
240	7J1001 on	C28892	1
340	7J 50001 on	C28892	1
<b>42. Inlet manifold gasket</b>			
MK2 3.4/3.8/S-Type		C7619/1	1
240/340			
Metal		C232321	1
Paper alternative		C41247	1
<b>43. Stud</b>			
		C2189	3
<b>44. Stud</b>			
		C6727	6
<b>45. Threaded plug</b>			
		C2157	3
<b>46. Circlip</b>			
		C16773	1
<b>47. Head gasket</b>			
2.4/3.4 engines	Standard steel	C19112	1
	Composite	C19112COMP	1
3.8 engines	Standard steel	C19113	1
	Composite	C19113COMP	1
<b>48. Cam cover stud</b>			
Camshaft caps and covers (shouldered)		C2326	16
<b>49. Exhaust manifold</b>			
MK2 2.4/240 Front		C18396	1
MK2 2.4/240 Rear		C18397	1
MK2 3.4/3.8/340 Front		C18398	1
MK2 3.4/3.8/340 Rear		C18399	1
S-Type 3.4/3.8 Front		C18398	1
S-Type 3.4/3.8 Rear		C18399	1
<b>50. Cylinder head nut</b>			
		C2328	14
<b>51. Round cylinder head nut washer</b>			
		C10301	2
<b>52. D-shaped cylinder head nut washer</b>			
		C2385	12
<b>53. Tappet guide</b>			
Standard		C7262	12
Bronze		C7262B	12
<b>54. Tappet guide hold down kit</b> (one kit per cam)			
Prevents the guides working loose		SBS9219	A/R
<b>55. Cylinder head hardware set</b>			
		CR1050	1
Full chrome kit of 14 head nuts, 12 D-shaped head washers, 2 round head washers, 26 cam cover & breather nuts and 26 camcover copper washers.			
<b>56. Ribbed breather hose</b> (sold by the metre)			
Early cars		C2485/1	A/R
<b>57. Automatic choke thermo switch</b>			
		C33177	1
<b>58. Choke switch gasket</b>			
		C2475	1
<b>59. Head gasket set</b>			
MK2 2.4 no specific set available use		CE532	1
MK2 240 no specific set available use		CE532	1
MK2 3.4		CE532	1
MK2 340 no specific set available use		CE532	1
MK2 3.8		CE541	1
S-Type 3.4		CE532	1
S-Type 3.8		CE541	1

# 2.4/3.4/3.8 TIMING GEAR

Buy on-line at [www.sngbarratt.com](http://www.sngbarratt.com)



## UPPER

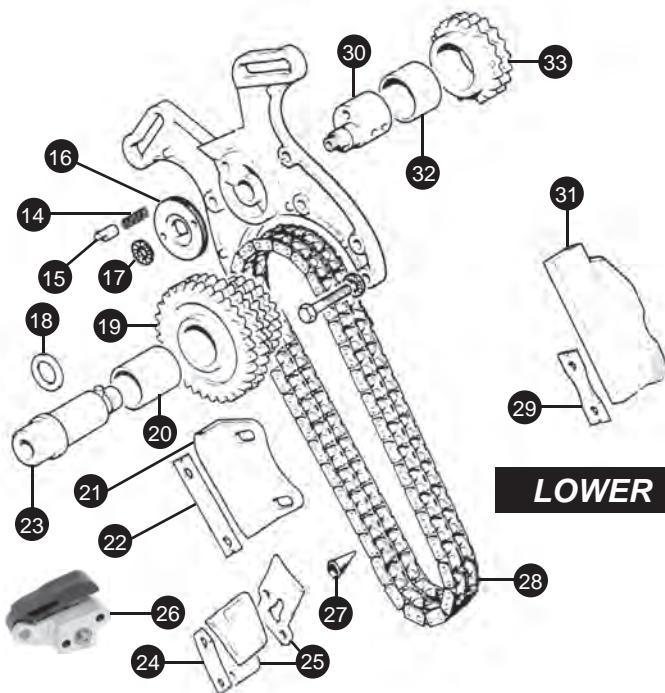


### UPPER TIMING GEAR

<b>1. Upper timing chain</b>	C2256	1
AE branded	TC23100	1
<b>2. Camshaft gear</b>	C24686	2
<b>3. Bolt</b>	JZB100042	4
<b>4. Locking wire (sold by the metre)</b>	C21126	A/R
<b>5. Locktab</b>	C33917	2
<b>6. Circlip</b>	C30767	2
<b>7. Chain guide</b>	C13617	1
<b>8. Spacer</b>	C13660	4
<b>9. Circlip</b>	C2335	1
<b>10. Bracket</b>	C21703	1
<b>11. Chain guide</b>	C13616	1
<b>12. Cam gear coupling</b>	C34034	2
<b>13. Top chain retainer</b>	C25819	1

### LOWER TIMING GEAR

<b>14. Spring</b>	C2297	1
<b>15. Plunger</b>	C4405	1
<b>16. Micro adjuster plate</b>	C4404	1
<b>17. Washer</b>	C30075/1	1
<b>18. Shim</b>	C16626	A/R
<b>19. Intermediate sprocket</b>	C25275	1
<b>20. Bush</b>	C2320	1
<b>21. Chain guide</b>		
240	C29125	1
2.4/3.4/3.8	C13615/1	1
<b>22. Lock tab</b>		
240	C28285	1
3.4/3.8	C20397	1
<b>23. Idler sprocket shaft</b>	C26608	1
<b>24. Timing chain tensioner lock tab</b>	C10333	1
<b>25. Timing chain tensioner</b>	EAC3629	1



## LOWER

### 26. Competition timing chain tensioner

Suitable for most 6 cyl XK engines with improved durability and increased chain life for demanding conditions.

	EAC3629U	1
<b>27. Filter</b>	C13457	1
<b>28. Lower timing chain</b>		
2.4	C8654	1
3.4/3.8 models	C2255	1
3.4/3.8 AE branded	TC2382	1
<b>29. Locktab</b>	C20397	1
<b>30. Eccentric shaft</b>	C27189	1
<b>31. Chain guide</b>	C136141	1
<b>32. Bush</b>	C23191	1
<b>33. Idler sprocket</b>	C26740	1

### ENGINE TIMING GEAR SETS

These kits are essentially for 4.2 engines, but are suitable for fitment if C13614/1 & C13615/1 guides are ordered too. For 2.4 engines add C8654 lower chain, C13613/1 & C29125 guides.

**Minimum Kit** TCK6MIN 1  
Upper and lower timing chains, all guides, tensioner, lock washers and gauze filter.

**Standard Kit** TCK6 1  
As TCK6MIN but with the addition of the camshaft gears and circlips, crankshaft gear and idler sprocket.

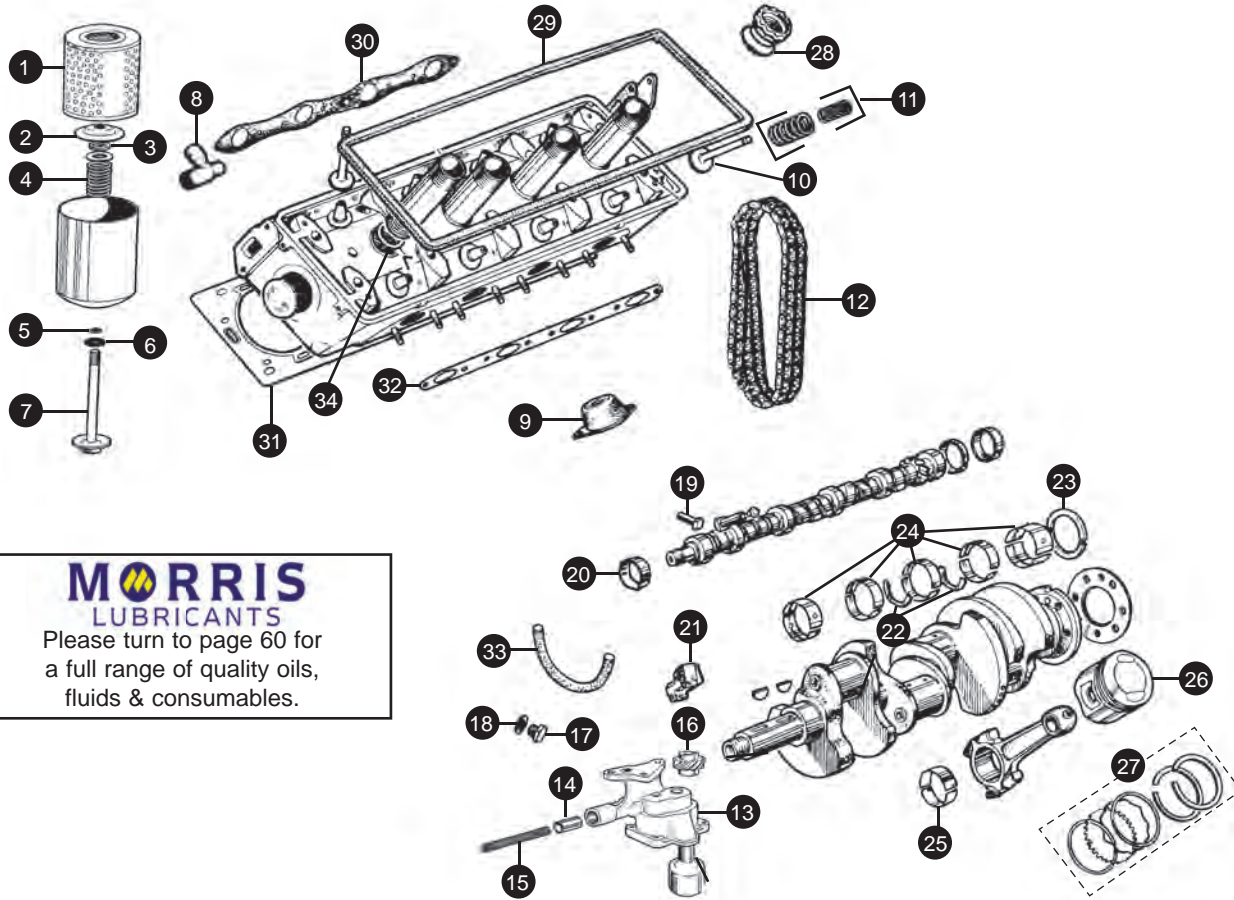
**Major Kit** TCK6MAJ 1  
As TCK6 but with the further addition of the intermediate sprocket, idler shaft, micro adjuster plate etc. to provide a full kit of spares to entirely overhaul the timing gear.





# DAIMLER V8 ENGINE

Buy on-line at [www.sngbarratt.com](http://www.sngbarratt.com)



**MORRIS**  
LUBRICANTS  
Please turn to page 60 for  
a full range of quality oils,  
fluids & consumables.

1. Oil filter element	8G683	1
2. Oil filter pressure plate	9675	1
3. Felt washer	11665	1
4. Spring	6159	1
5. Spring clip	9674	1
6. Rubber washer	6158	1
7. Cannister bolt	10454	1
8. Cooling 'T' hose on cylinder head		
Standard rubber	C21170	2
Silicone	C21170S	2
9. Engine mounting		
Standard	C18556	2
Uprated	C18556U	2
10. Engine valve		
Inlet	307358	8
Exhaust	C26665	8
11. Valve spring set	C21687/8	1
12. Timing chain	307363	1
13. Oil pump assembly	C21975	1
14. Oil pressure relief valve	C22756	1
15. Oil pressure relief valve spring	431498	1
16. Oil pump drive gear	430363	1

17. Sump plug	C23435	1
18. Sump plug washer	C2296/1	1
19. Camshaft follower	430388	16
20. Camshaft bearing set	RTC1132K	1
21. Timing chain hydraulic tensioner	EAC3629	1
22. Crankshaft thrust washer	307680/1	2
23. Crankshaft rear main oil seals	C19654	2
24. Crankshaft main bearing set*	11228	1
25. Conrod bearing set*	307715	1

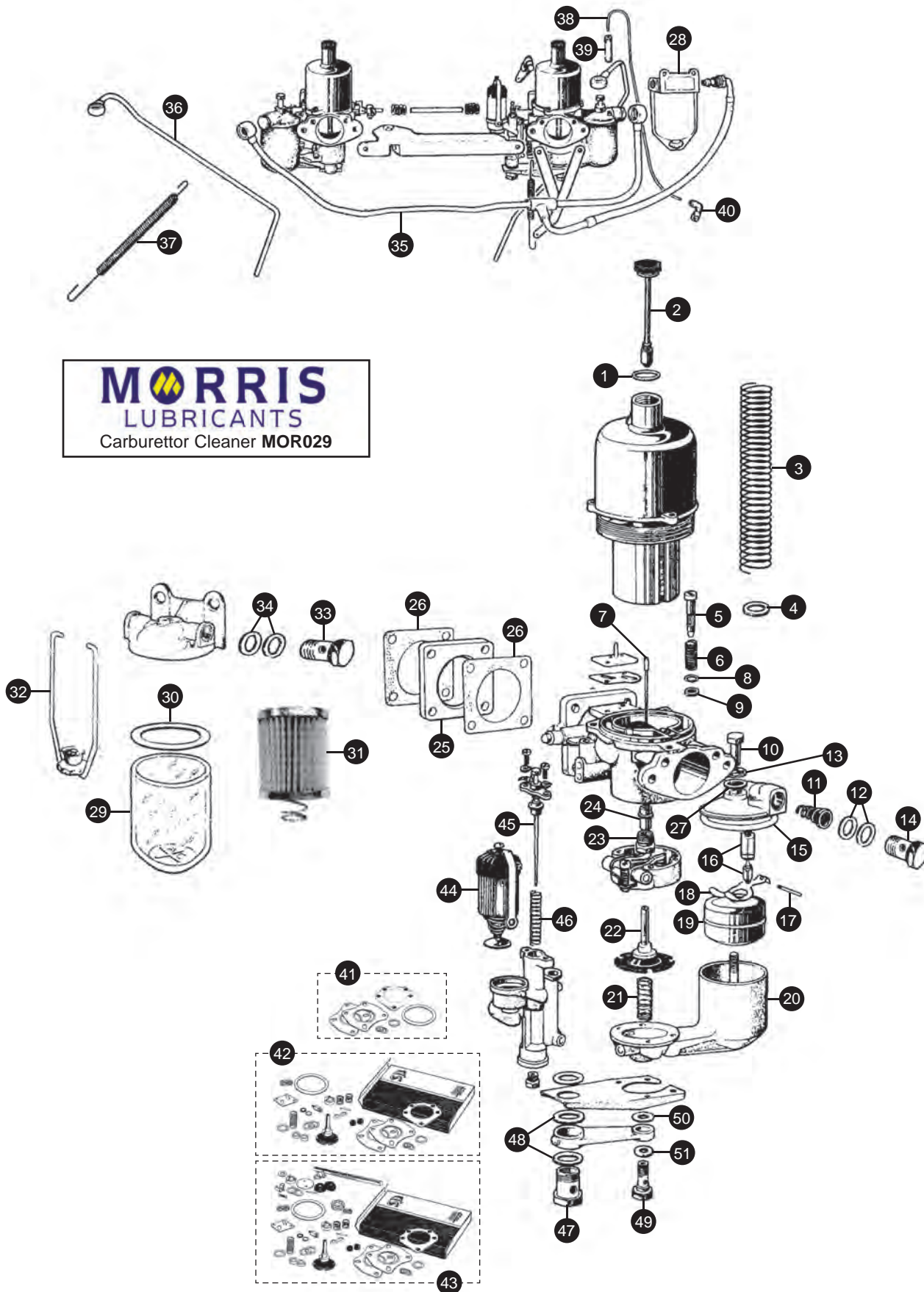
26. Piston* (complete with rings)	C23842	8
27. Piston ring set*	C23837	1
(*Usually available in standard to +40 sizes)		

28. Rocker cover knurled nut O'ring	425280/25	8
29. Rocker cover gasket	307827	2
30. Inlet manifold gasket	307876	2

31. Cylinder head gasket	C22245	2
32. Exhaust manifold gasket	307354	2
33. Sump sealing cork	308402	2
34. Spark plug tube sealing washer	430742	8

# SU CARBURETTORS & AIR FILTERS

Buy on-line at [www.sngbarratt.com](http://www.sngbarratt.com)



**MORRIS**  
LUBRICANTS  
Carburettor Cleaner MOR029



UK - Bridgnorth  
+44 (0) 1746 765 432  
[sales.uk@sngbarratt.com](mailto:sales.uk@sngbarratt.com)



USA - Manchester NH  
+1 800 452 4787 (toll free)  
[sales.usa@sngbarratt.com](mailto:sales.usa@sngbarratt.com)



FRANCE - Charney les Macon  
+33 (0) 3 85 20 14 20  
[sales.fr@sngbarratt.com](mailto:sales.fr@sngbarratt.com)

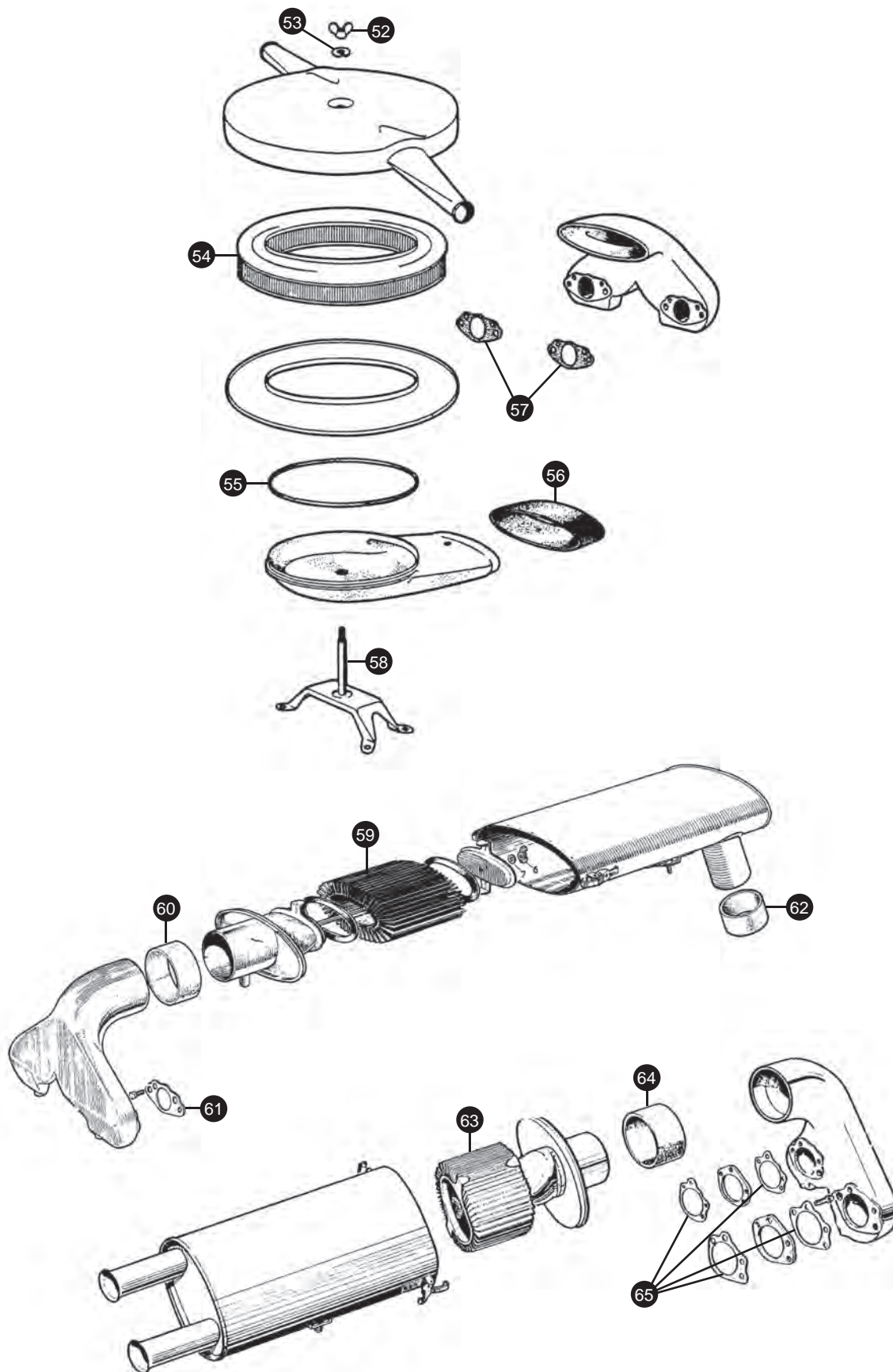


HOLLAND - Oisterwijk  
+31 (0) 13 52 11 552  
[sales.nl@sngbarratt.com](mailto:sales.nl@sngbarratt.com)



# SU CARBURETTORS & AIR FILTERS

Buy on-line at [www.sngbarratt.com](http://www.sngbarratt.com)



# SU CARBURETTORS & AIR FILTERS

Buy on-line at [www.sngbarratt.com](http://www.sngbarratt.com)



1. Damper cap washer	JLM9631	2
2. Damper cap assembly	AUC8102	2
3. Piston spring	AUC4387	2
4. Retaining washer	AUC3071	2
5. Slow running/idle screw	6967	2
6. Spring	6966	2
7. Needle		
Correct needle is identified by a two or three letter marking at the base. If yours isn't listed, please contact us and we will help you to determine which one you need.		
SC	AUD1319	2
TM	AUD1354	2
CI	AUD1099	2
TL	AUD1353	2
8. Gland	AUC2029	2
9. Gland washer	AUC2030	2
10. Cap nut	5832	2
11. Filter spring assembly	AUC2139	2
12. Fibre washer	AUC2141	4
13. Serrated washer	AUC1928J	2
14. Banjo bolt	C11488	2
15. Float chamber lid gasket	AUC1147	2
16. Needle and seat valve	JLM9733	2
17. Float lever pivot pin	AUC1152	2
18. Float lever	AUD2285	2
19. Float	WZX1303	2
20. Float chamber		
Front carburettor	AUC2088	1
Rear carburettor	AUC2009	1
21. Jet diaphragm spring	AUC2006	2
22. Main jet & diaphragm	AUC8155	2
23. Jet bearing locking nut	AUC2002	2
24. Jet bearing	AUC2001	2
25. Carb insulator block	C33059	2
26. Gasket	C7221	4
27. Alum washer	AUC1557	2
28. Fuel filter assembly	C13681	1
29. Fuel filter glass bowl	7300	1
30. Seal to filter casting	C26310	1
31. Fuel filter (includes C26310 seal)	C28080	1
32. Glass bowl retaining strap	7301	1
33. Banjo bolt	C13705	1/2
34. Sealing washer	C784	2/4
35. Flexible fuel feed pipe	C14492	1
36. Carb overflow pipe	AUC3203	2
37. Return spring	C133551	1
38. Vacuum pipe	C21575	1
39. Rubber tube connector	C14212	1
40. Rubber elbow connector	C21573	1
41. Carb gasket set	AUE805	2
42. Carb service kit		
Includes full gasket set, needle & seat, main jet & diaphragm and spindle seal set.		
	CSK37	2
43. Carb repair kit		
As per service kit with the addition of the throttle spindles and discs.		
	CRK217	2

44. Automatic choke solenoid	AUD9490	1
45. Acceleration needle	AUC8129	1
46. Spring	AUC1041	1
47. Banjo bolt	C11488	1
48. Fibre washer	AUC4753	2
49. Banjo bolt	AUC2086	1
50. Fibre washer	AUC2089	1
51. Alum washer	AUC1557	1

### MK2 3.4/3.8 Air filter

52. Wing nut	C16492	1
53. Washer	FG106X	1
54. Air filter element	C16484	1
55. Air filter seal	C16483	1
56. Joiner seal	C16486	1
57. Gasket	C26723	2
58. Air filter mounting bracket	C16488	1

### 340/S-Type Air Filter

59. Air filter element	C19530	1
60. Seal	C19735	1
61. Gasket	C26723	2
62. Seal	C23100	1

### 240 Air Filter

63. Air filter element	11713	1
64. Seal	C19735	1
65. Gasket	C26723	4

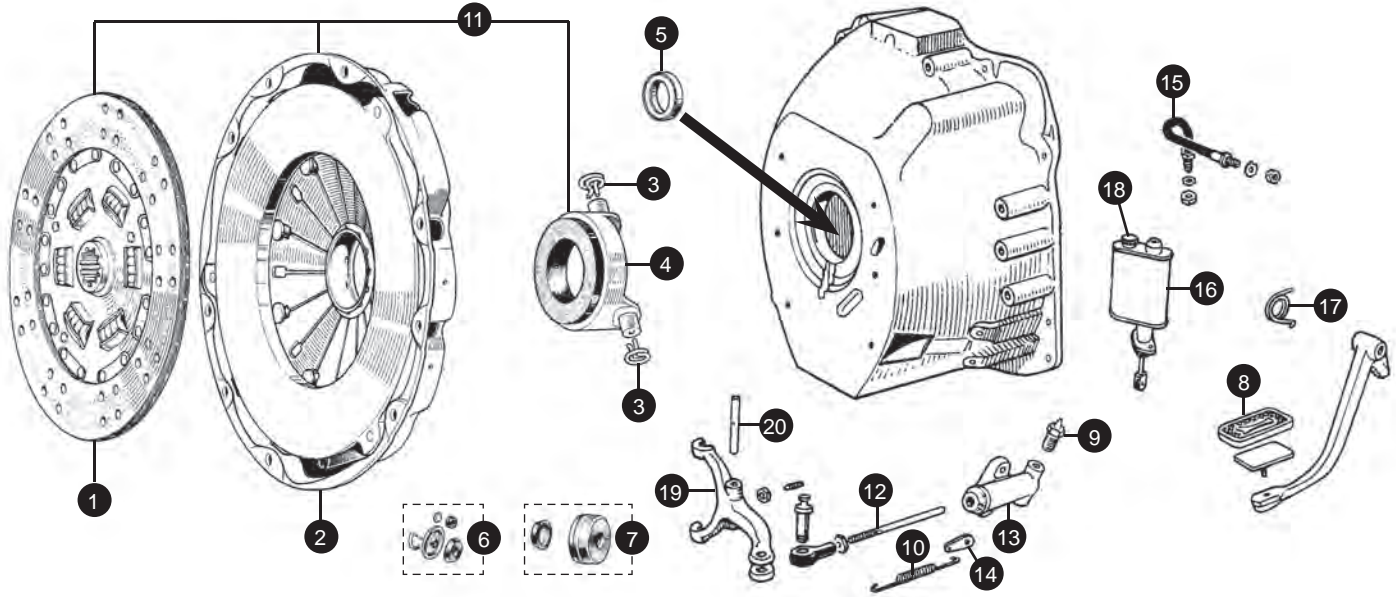






# CLUTCH MECHANISM

Buy on-line at [www.sngbarratt.com](http://www.sngbarratt.com)



### 1. Clutch plate

MK2 2.4	9"	HB8748	1
240	8.5"	HB9661	1
MK2 3.4/3.8	10" spring	HB8750Q	1
	9.5" diaphragm	HB8786	1
S-Type 3.4/3.8	10" spring	HB8750Q	1
	9.5" diaphragm	HB8786	1
Daimler V8	8.5"	HB9661	1

### 2. Clutch cover

MK2 2.4	9"	HA3359	1
240	8.5"	HE3332	1
MK2 3.4/3.8	10" spring	HA2521	1
	9.5" diaphragm	HE4562	1
S-Type 3.4/3.8	10" spring	HA2521	1
	9.5" diaphragm	HE4562	1
Daimler V8	8.5"	HE3332	1

### 3. Release bearing clip

C22479 2

### 4. Release bearing

MK2 2.4	9"	HD3306	1
240	8.5"	HD1099	1
MK2 3.4/3.8	10" spring	HD3306	1
	9.5" diaphragm	HD3319	1
S-Type 3.4/3.8	10" spring	HD3306	1
	9.5" diaphragm	HD3319	1
Daimler V8	8.5"	HD1099	1

### 5. Clutch housing oil seal

C18739 1

### 6. Clutch master cylinder repair kit

MK2/V8		6593	1
S-Type	Dunlop	SP2616	1
	Girling	11604	1

### 7. Clutch slave cylinder repair kit

8G8446J 1

### 8. Clutch pedal rubber

Jaguar	C8969	1
Daimler	C27521	1

### 9. Bleed nipple

6096 1

### 10. Spring

C5120 1

### 11. 3 piece clutch kit

3.4/3.8 MK2	10" spring	HK5229QAF	1
	9.5" diaphragm	HK9702Q	1
3.4/3.8 S-Type	10" spring	HK5229QAF	1
	9.5" diaphragm	HK9702Q	1

### 12. Adjustable push rod assembly

Most models C24147 1

### 13. Clutch slave cylinder

80mm long	C21470	1
95mm long	C29801	1

### 14. Spring plate

C5178 1

### 15. High pressure hose

Standard rubber	C11603	1
Stainless steel braided	C11603SS	1

### 16. Clutch master cylinder

MK2/V8	C20526	1
S-Type*	C27186	1

(\*This will require C27160-A & C2189 x 2 to fit a car equipped with Dunlop cylinder VBM4734).

### 17. Clutch pedal return spring

C8966 1

### 18. Clutch reservoir cap

MK2 513123J 1

3.4/3.8 S-Type

1578 1

### 19. Clutch arm

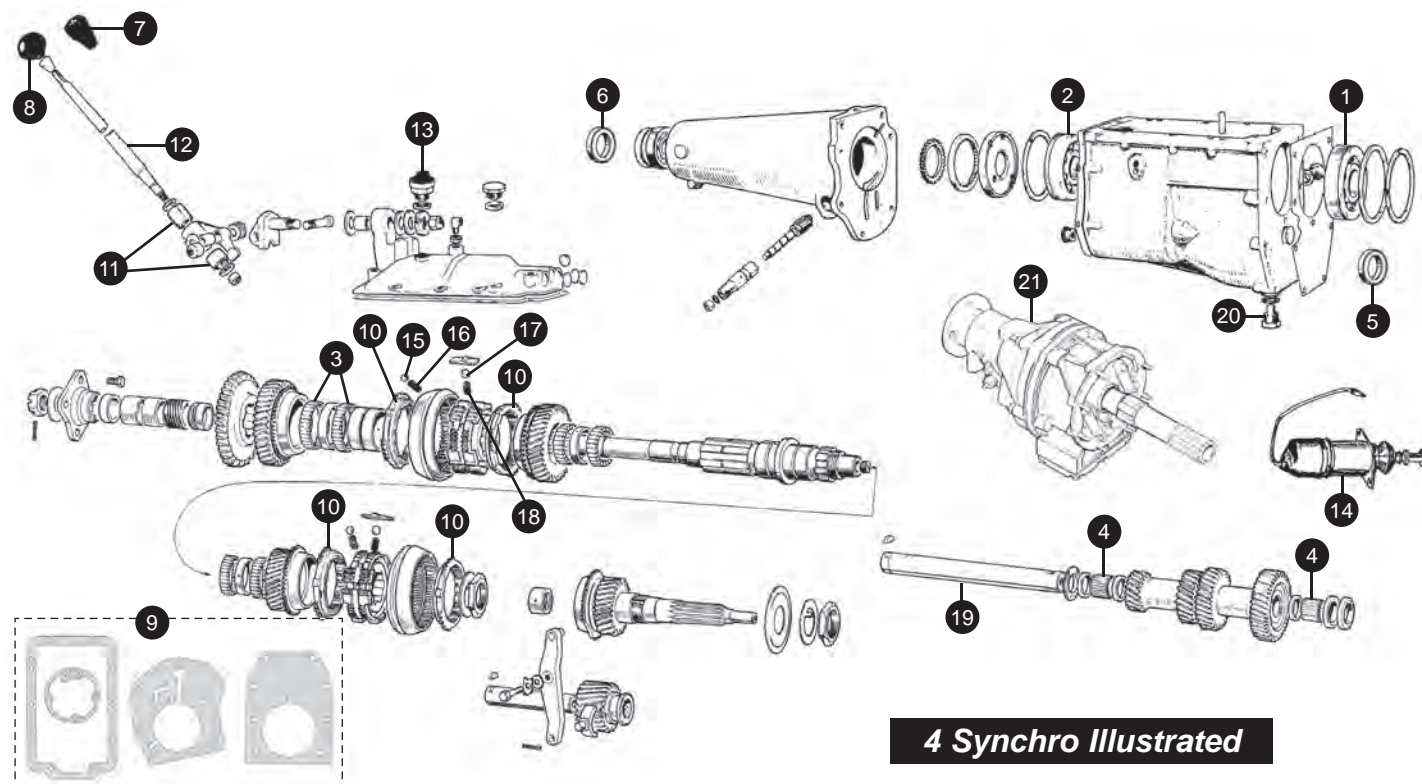
MK2/S-Type	C9797	1
Daimler V8	C27430	1

### 20. Clutch arm pivot shaft

C9857 1

# 2.4/3.4/3.8 MANUAL GEARBOX

Buy on-line at [www.sngbarratt.com](http://www.sngbarratt.com)



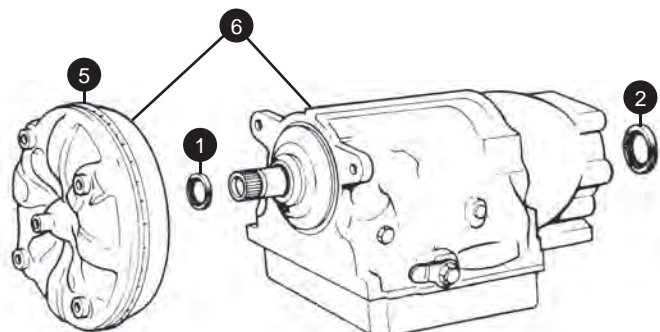
**4 Synchro Illustrated**

<b>1. Front bearing</b>				<b>12. Gear lever</b>			
3 synchro		C1838	1	3 synchro		C2462	1
4 synchro		C20491	1	4 synchro		C23178	1
<b>2. Rear bearing</b>				<b>13. Reverse light switch</b>			
		C1845/1	1			DAC3844	1
<b>3. Mainshaft needle roller</b>				<b>14. Overdrive solenoid</b>			
3 synchro		C1850/1	332	A-type		10002	1
4 synchro		C231093	332	<b>15. Detent ball</b>			
<b>4. Layshaft needle roller</b>				3 synchro		C922	15
<b>5. Front oil seal</b>				4 synchro		C1319	6
<b>6. Rear oil seal</b>				<b>16. Detent ball spring</b>			
	Non overdrive	C9836	1	3 synchro		C900	12
	Overdrive	NKC39A	1	4 synchro		C24181	6
<b>7. Gear knob</b>				<b>17. Detent plunger</b>			
3 synchro		C16154	1	3 synchro		C901/1	12
<b>8. Gear knob</b>				4 synchro		C21088	6
4 synchro		C23007	1	<b>18. Detent plunger spring</b>			
<b>9. Gasket set</b>				Not S1 3.8 (6 required)		C27491	6
3 synchro	Non Overdrive	ENT101		<b>19. Countershaft</b>			
	Overdrive*	ENT101/A		3 synchro		C1856	1
4 synchro		ENT104		4 synchro		C39665	1
*Overdrive unit gaskets are not included.				<b>20. Drain plug</b>			
<b>10. Synchromesh rings</b>				3 synchro		C23435	1
4 synchro only		C22391	4	4 synchro		C19543	1
<b>11. Gear lever bush</b>				<b>21. Exchange gearboxes &amp; overdrive units</b>			
3 synchro		C1915	2	We offer a full reconditioning service, please contact us for more information on pricing and turnaround.			
4 synchro	Upper	C22394	1				
	Lower	C21921	1				



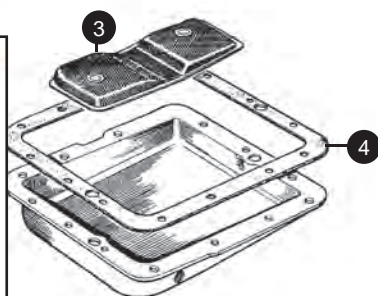
# AUTOMATIC GEARBOX

Buy on-line at [www.sngbarratt.com](http://www.sngbarratt.com)



**MORRIS**  
LUBRICANTS

Please turn to page 60 for a full range of quality oils, fluids & consumables.



## DG Illustrated

### 1. Front seal

DG	3623	1
Model 35	BAU1034J	1

### 2. Rear seal

DG	3762	1
Model 35	RTC447	1

### 3. Filter

DG	6688	1
Model 35 front pump	9844	1
rear pump	9845	1

### 4. Sump gasket

DG	3736	1
Model 35	RTC1871	1

### 5. Torque converter

DG (Exchange only)	DGTC	1
Model 35	35TC	1

### 6. Gearbox and torque converter

DG (Exchange only)	DGGBTC	1
Model 35	35TC	1

### Gasket & seal kit (not illustrated)

DG	DGGK	1
Model 35	35TC	1

### Overhaul kit (not illustrated)

<u>DG</u>		
Standard kit	DGOK	1
Master kit (with clutches)	DGMOK	1

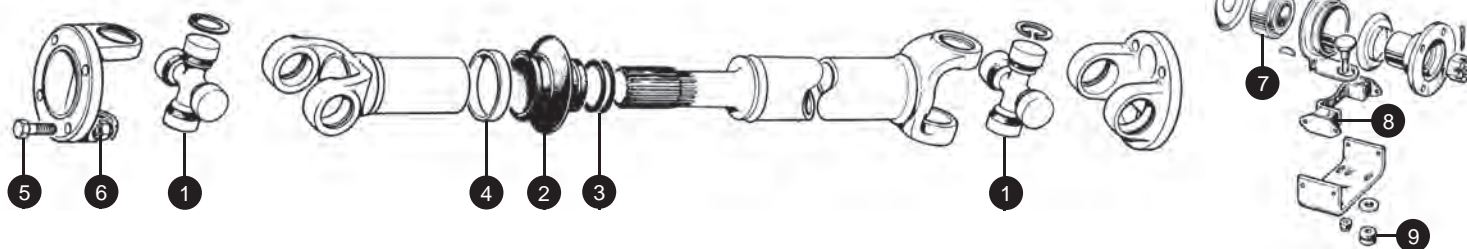
### Model 35

Standard kit	35OK	1
Master kit (with clutches)	35MOK	1

Many other parts are available for the automatic gearbox, so please contact us if what you need isn't listed...

# PROPSHAFT

Buy on-line at [www.sngbarratt.com](http://www.sngbarratt.com)



### 1. Universal joint

Early small type		46	1
Later large type	standard	JLM823	2
	uprated	JLM823U	2

### 2. Joint gaiter

	JLM1543	1
--	---------	---

### 3. Rubber retaining ring

	9412	2
--	------	---

### 4. Steel retaining ring

	9413	1
--	------	---

### 5. Propshaft bolt

	C19827	8
--	--------	---

### 6. Propshaft nut

	NZ606041J	8
--	-----------	---

### Centre bearing type propshaft

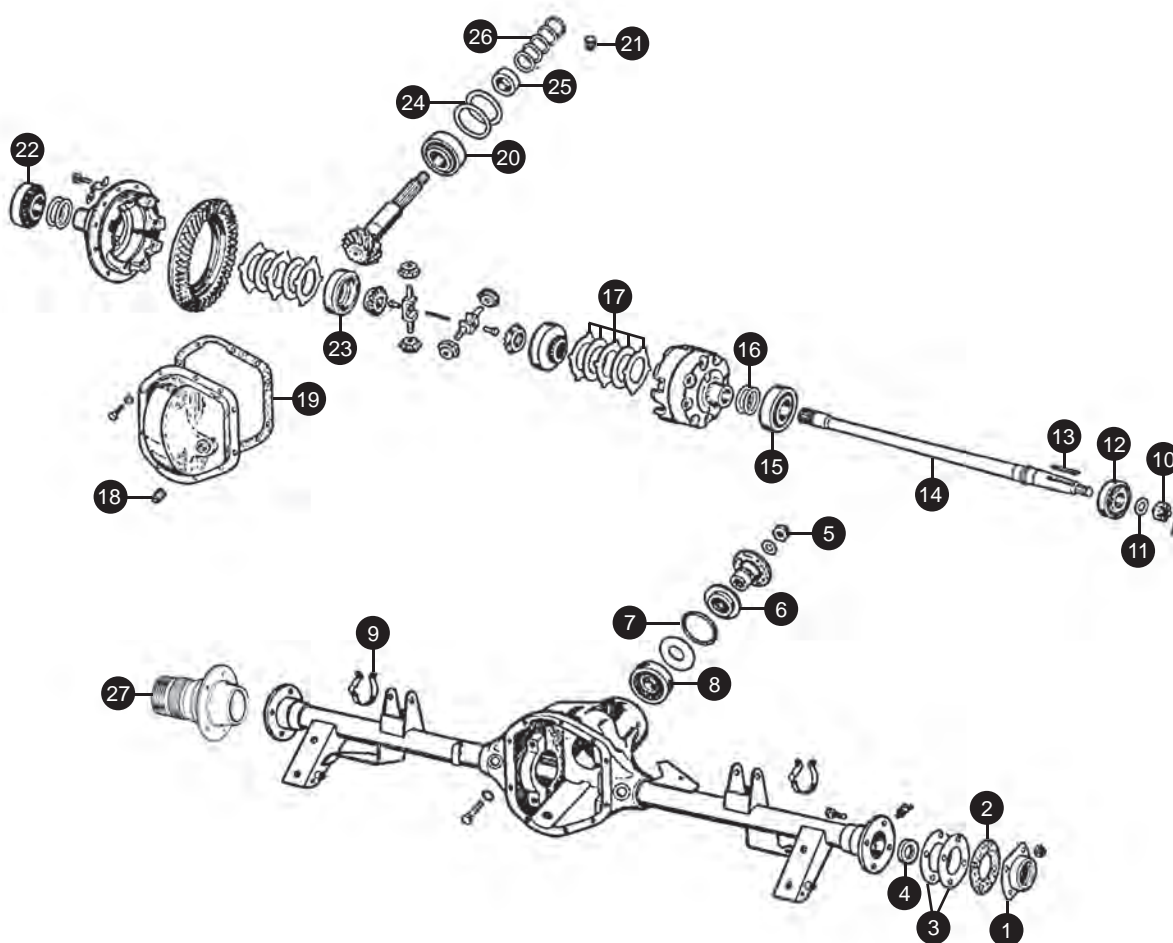
<b>7. Centre bearing</b>	250	1
--------------------------	-----	---

<b>8. Centre mounting</b>	C36791	1
---------------------------	--------	---

<b>9. Grommet</b>	CBC1448	2
-------------------	---------	---

# MK2 & V8 REAR AXLE

Buy on-line at [www.sngbarratt.com](http://www.sngbarratt.com)



### MK2 & V8 Rear Axle

<b>1. Hub seal</b>		7953	2
<b>2. Hub gasket</b>		4149	2
<b>3. Bearing shim</b>	0.003"	4145	A/R
	0.005"	4146	A/R
	0.010"	4147	A/R
	0.030"	4148	A/R
<b>4. Inner tube seal</b>		4144	2
<b>5. Pinion nut</b>		11099	1
<b>6. Pinion seal</b>		3840	1
<b>7. Pinion seal gasket</b>		607183J	1
<b>8. Outer pinion bearing</b>		3843	1
<b>9. Brake pipe clip</b>		C7860	A/R
<b>10. Hub nut</b>		4141	2
<b>11. Hub nut washer</b>		4142	2
<b>12. Hub bearing kit (including seal)</b>		7993K	2
<b>13. Woodruff key</b>		C11835	2
<b>14. Axle shaft</b>		7995	2
<b>15. Diff case bearing</b>		3845	2
<b>16. Shims</b>	0.003"	3935	A/R
	0.005"	3936	A/R
	0.010"	3937	A/R
	0.030"	3938	A/R

<b>17. Friction plates</b>			
	Flat	RTC1349A	4
	Dished	RTC1350A	2
	Friction	RTC1416A	4
<b>18. Filler plug</b>		607172J	1
<b>19. Backplate gasket</b>		3931	1
<b>20. Inner pinion bearing</b>		3844	1
<b>21. Drain plug</b>		607172J	1
<b>22. Diff case bearing</b>		3845	2
<b>23. Side gear ring</b>		11290	2
<b>24. Inner pinion bearing shim</b>			
	0.003"	3860	A/R
	0.005"	3861	A/R
	0.010"	3862	A/R
<b>25. Distance washer</b>		8029	1
<b>26. Outer pinion bearing shim</b>			
	0.003"	3856	A/R
	0.005"	3857	A/R
	0.010"	3858	A/R
	0.030"	3859	A/R
<b>27. Wire wheel splined hub</b>			
	RH	C13094	1
	LH	C13095	1

### Exchange rear axles

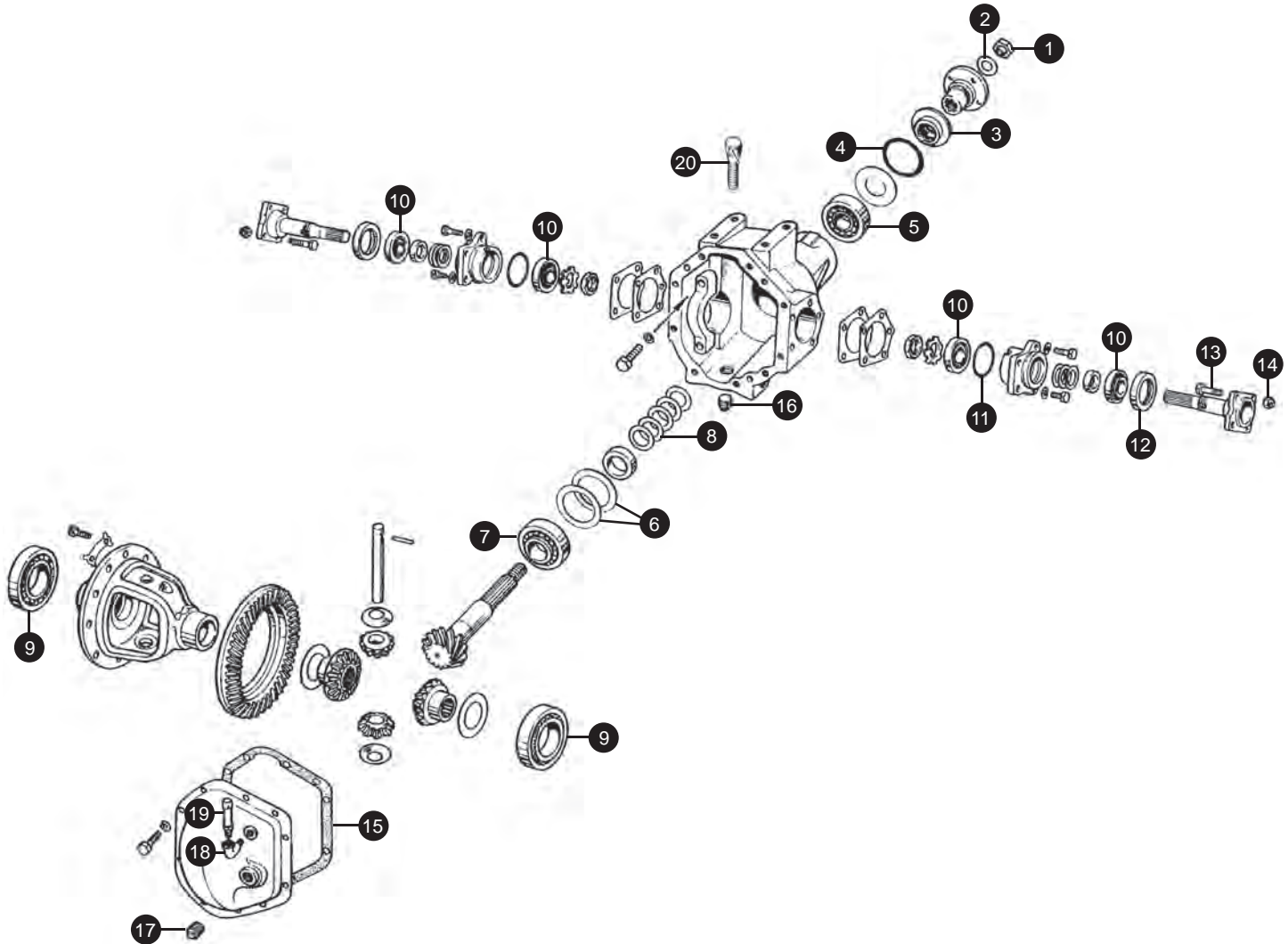
We offer a full reconditioning service, please contact us for more information on pricing and turnaround.





# S-TYPE DIFFERENTIAL

Buy on-line at [www.sngbarratt.com](http://www.sngbarratt.com)



### S-Type Differential

<b>1. Pinion nut</b>		11099	1
<b>2. Pinion nut washer</b>		WA120000J	1
<b>3. Pinion seal</b>		3840	1
<b>4. Pinion seal gasket</b>		607183J	1
<b>5. Outer pinion bearing</b>		3843	1
<b>6. Shim</b>	0.003"	3860	A/R
	0.005"	3861	A/R
	0.010"	3862	A/R
<b>7. Inner pinion bearing</b>		3844	1
<b>8. Shim</b>	0.003"	3935	A/R
	0.005"	3936	A/R
	0.010"	3937	A/R
	0.030"	3938	A/R
<b>9. Inner bearing</b>		3845	2

### 10. Outer bearing

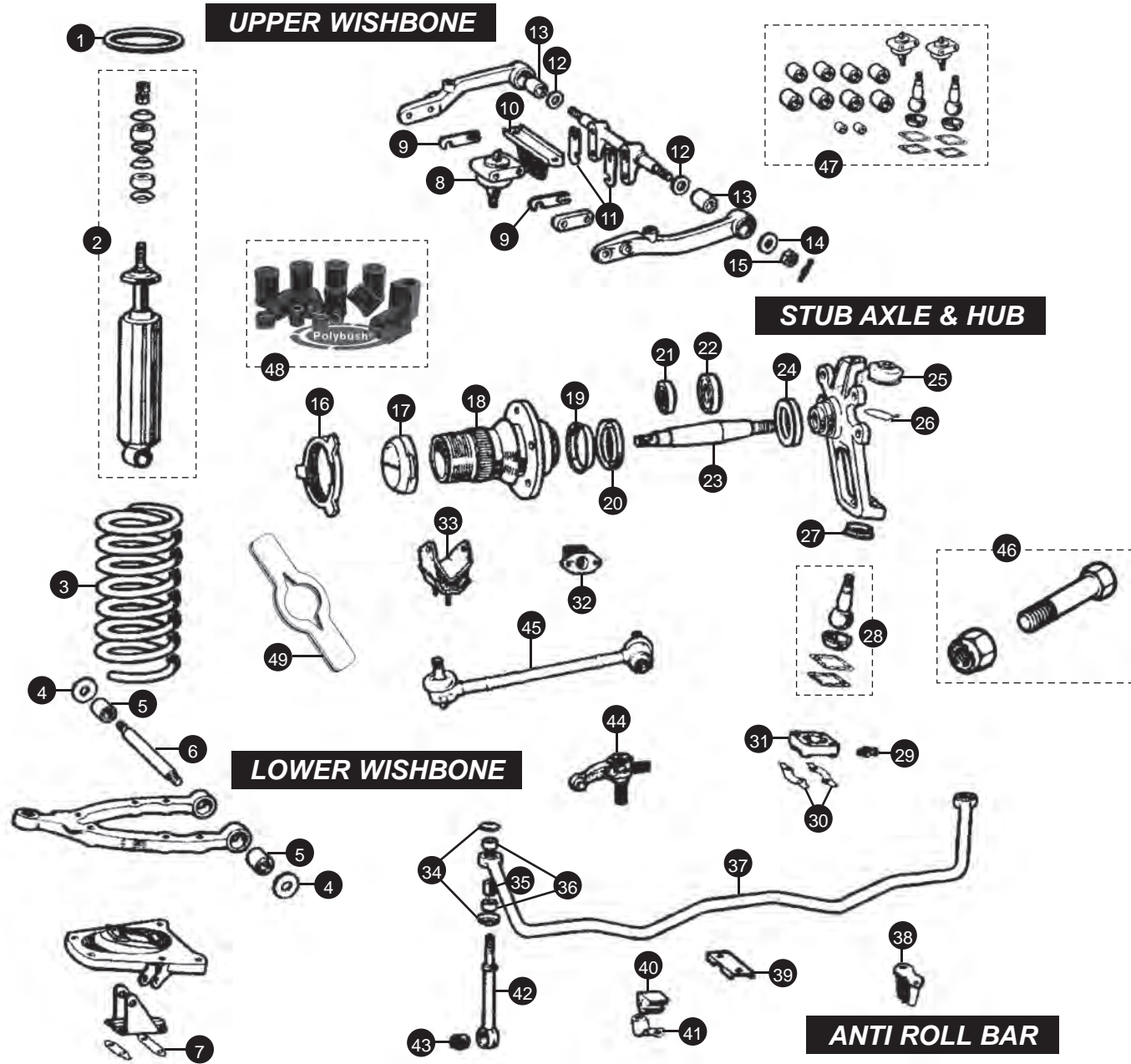
Early	8495	2
Later	11101	2
<b>11. Bearing housing 'O' ring</b>	8950	2
<b>12. Output shaft seal</b>	8436A	2
<b>13. Output flange stud</b>	8510	8
<b>14. Brake disc nut</b>	NV607041J	8
<b>15. Gasket</b>	3931	1
<b>16. Drain plug</b>	607172J	1
<b>17. Filler plug</b>	607172J	1
<b>18. Breather elbow</b>	8509	1
<b>19. Breather</b>	C25716	1
<b>20. Mounting bolt</b>	JZS100090	4

### Exchange rear axles

We offer a full reconditioning service, please contact us for more information on pricing and turnaround.

# FRONT SUSPENSION

Buy on-line at [www.sngbarratt.com](http://www.sngbarratt.com)



<b>1. Spring spacer</b>	C11874	0.25"	A/R
	C118741	0.125"	A/R
<b>2. Shock absorber</b>	Standard	C20989	2
	Koni	82-1019	2
Please ring for our current range of adjustable shock absorbers			
<b>3. Road spring</b>			
MK2.4/240/V8		C16953	2
MK2 3.4/3.8/340	Standard	C16954	2
S-Type		C21958	2
<b>4. Washer</b>		C8676/1	4
<b>5. Lower wishbone bush</b>			
	Standard	C8673	4
	Polyurethane	C8673U	4
<b>6. Lower fulcrum shaft</b>		C10778	2

<b>7. Lock tabs</b>	long	C8690	2
	short	C8677	2
<b>8. Upper ball joint</b>	Sealed type	CAC9938	2
	Original style	GSJ145	2
<b>9. Shim adjusting castor angle</b>		CBC64162	A/R
<b>10. Upper bump stop</b>		C17172	2
<b>11. Shim adjusting camber angle</b>			
	0.064"	C8918/1	A/R
	0.048"	C8918/2	A/R
	0.036"	C8918/3	A/R
<b>12. Washer</b>		C8675	4



UK - Bridgnorth  
+44 (0) 1746 765 432  
[sales.uk@sngbarratt.com](mailto:sales.uk@sngbarratt.com)



USA - Manchester NH  
+1 800 452 4787 (toll free)  
[sales.usa@sngbarratt.com](mailto:sales.usa@sngbarratt.com)



FRANCE - Charney les Macon  
+33 (0) 3 85 20 14 20  
[sales.fr@sngbarratt.com](mailto:sales.fr@sngbarratt.com)



HOLLAND - Oisterwijk  
+31 (0) 13 52 11 552  
[sales.nl@sngbarratt.com](mailto:sales.nl@sngbarratt.com)



# FRONT SUSPENSION

Buy on-line at [www.sngbarratt.com](http://www.sngbarratt.com)

<b>13. Upper wishbone bush</b>			
	Standard	C8672	4
	Polyurethane	C8672U	4
<b>14. Washer</b>			
		C8676/1	4
<b>15. Nut</b>			
		NL608041J	4
<b>16. Three eared spinner tool</b>			
		C28687	1
<b>17. Chrome spinner</b>			
<u>Two eared</u>			
Jaguar	RH	C1102	1
	LH	C1103	1
Daimler	RH	C1102D	1
	LH	C1103D	1
<u>Three eared</u>			
Jaguar	RH	C28684	1
	LH	C28685	1
Daimler	RH	C21270	1
	LH	C21271	1
<b>18. Wire wheel splined hub</b>			
	RH	C19225/1	1
	LH	C19226/1	1
<b>19. Water deflector wire wheels</b>			
		C18843	2
<b>20. Water deflector steel wheels</b>			
		C18842	2
<b>21. Outer wheel bearing*</b>			
		C15352	2
<b>22. Inner wheel bearing*</b>			
		C15351	2
<b>23. Stub axle shaft</b>			
		C19423	2
<b>24. Hub oil seal*</b>			
		C15350	2
(*Included in front wheel bearing kit JLM257)			
<b>25. Ball joint gaiter</b>			
	Clear	C43216	4
	Black	C43216BLK	4
<b>26. Retaining clip</b>			
		C22969	4
<b>27. Ball pin spigot</b>			
		C30952	2
<b>28. Lower ball joint kit*</b>			
		QSJ221RK	2
(*It is possible to fit the CAC9937 'sealed for life' bottom ball joint used on the XJs and XJ40s. This is considered to be a worthwhile modification as it won't require periodic greasing or reshimming. However it will be necessary to remove the ball pin spigot from the the stub axle carrier to facilitate fitment).			
<b>29. Grease nipple</b>			
		C3044/1	2
<b>30. Lock tab</b>			
		C15343	4
<b>31. Ball joint cup</b>			
		C24222	2
<b>32. Crossmember front sandwich mounting</b>			
	Standard	C23314	2
	Uprated	C23314U	2
<b>33. Crossmember rear 'V' mounting</b>			
		C9004	2
<b>34. Washer</b>			
		C11045	4
<b>35. Spacing tube</b>			
		C11047	2
<b>36. Bush</b>			
	Standard	C10996	4
	Polyurethane	C10996U	4
<b>37. Anti roll bar</b>			
	Uprated	C14035U	1
<b>38. Lower bump stop</b>			
		C13918	2
<b>39. Retaining plate</b>			
		C18303	2
<b>40. Anti roll bar mounting bush</b>			

Standard		C14983	2
Uprated		C14983U	2
<b>41. Anti roll bar support bracket</b>			
		MNA3501AA	2
<b>42. Anti roll bar link rod</b>			
		C20764	2
<b>43. Eye bush</b>			
	Standard	C10940	2
	Polyurethane	C10940U	2

<b>44. Drag link end</b>			
Manual steering*			
	RH	C29089R	1
	LH	C29090	1
Power steering*			
	RH	C29094	1
	LH	C29095	1

#### \*Draglink end pin & bush

(Some original manual steering drag link ends are re-bushable and some are not. If yours has a smooth washer with a dimple on the bottom it is non-rebushable)

	Standard	133101	2
	Uprated	133101U	2

#### 45. Track bar assembly

Adjustable\* (sold singularly) C22678/1 2

\*Ends have left and right hand threads to allow adjustment in situ on the vehicle as original.

Fixed (sold in pairs) QDL288 1

(Fixed ends set to optimum length by the manufacturer. This will then require any adjustment to be made on the centre bar).

#### 46. Nuts & Bolts

ARB bush keep plate bolt	SH606141J	4
Bottom ball joint cap to housing bolt	C15344	8
Stub axle shaft inner nut	C86677	2
Lower shock absorber bolt	C8925	2
Lower shock absorber nut	NY607041J	2
Bolt through upper balljoint - short	C15903	2
Bolt through upper ball joint - long	C17171	2
Bolt through upper ball joint - nut	NY606041J	4
Bottom shocker bracket bolt	SH605081	8
Nut for top of ARB link	NZ606041J	2
ARB link bottom bush bolt	BH607141J	2
ARB link bottom bush nut	NY607041J	2
Upper ball joint nut	C8737/5	2
Lower ball joint nut	C87376	2
Front sandwich mounting centre nut	NY607041J	2
Front sandwich mounting fixing bolt	SH606071J	4
Front sandwich mounting fixing bolt - nut	NZ606041J	4
Lower bump stop fixing bolt	SH605061J	4
Lower bump stop fixing bolt - nut	NY605041J	4
Vee mounting stud - nut	NZ606041J	4
Vee mounting attachment bolt	BH606261J	2
Vee mounting attachment bolt - nut	NZ606041J	2

#### 47. Front suspension rebuild kit

Includes all standard suspensions bushes with upper and lower ball joints. SU9010 1

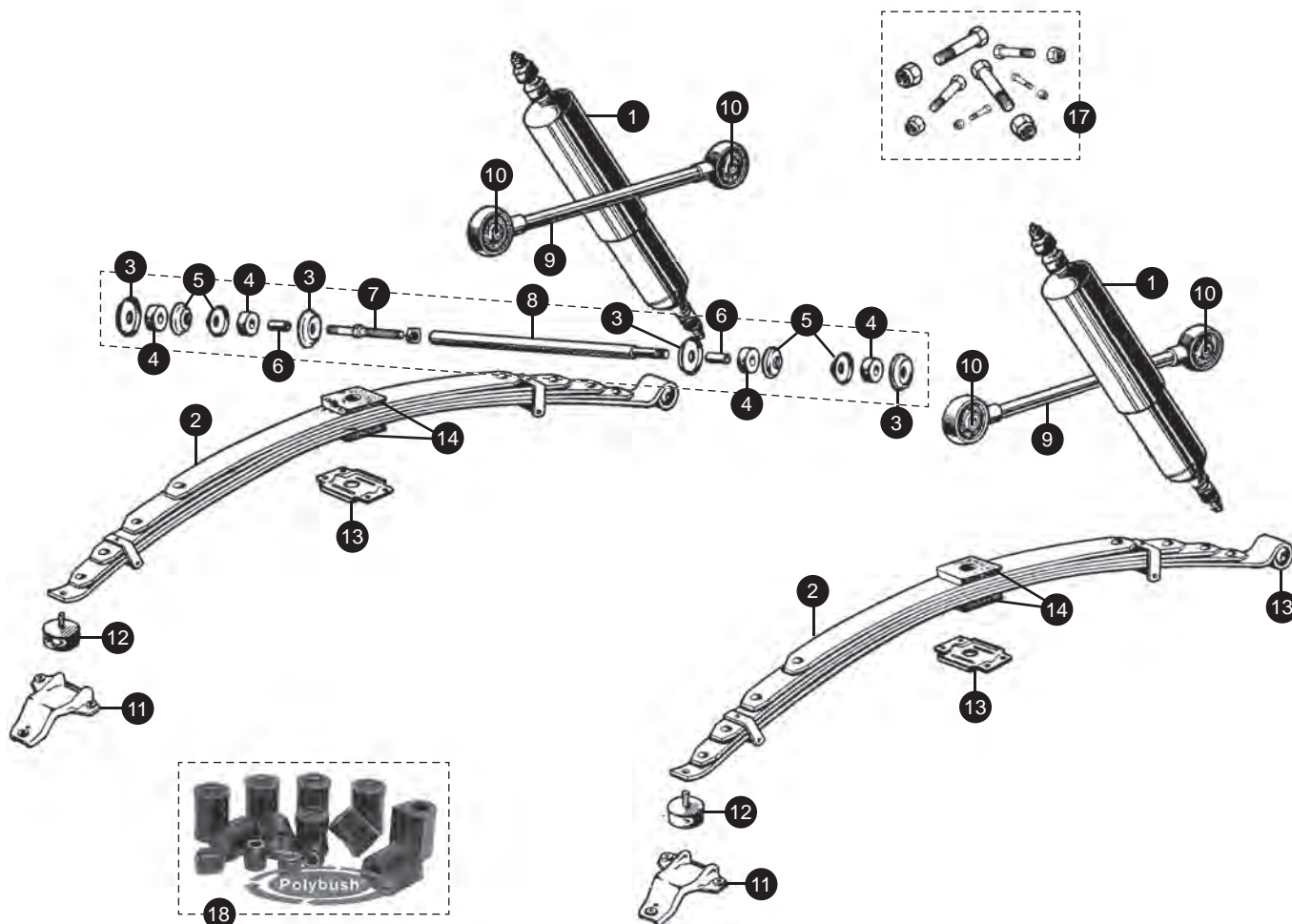
#### 48. Polybush polyurethane bush set

Improve handling, longer life and simple to fit! SU9010PB 1

**49. Wooden 2 eared spinner removal tool** SBS9306 1

# MK2 & V8 REAR SUSPENSION

Buy on-line at [www.sngbarratt.com](http://www.sngbarratt.com)



<b>1. Shock absorber</b>			
Standard	C20990B	2	
Koni	82-1044	2	
Please ring for our current range of adjustable shock absorbers			
<b>2. Leaf spring</b>			
Standard	C10791/2	2	
Upated	C10791/2U	2	
<b>3. Thick outer washer</b>	C11042	4	
<b>4. Panhard rod bush</b>			
Standard rubber	C10995	4	
Polyurethane	C10995U	4	
<b>5. Thin inner washer</b>	C11043	4	
<b>6. Spacer tube</b>	C11048	2	
<b>7. Panhard rod adjusting end</b>	C11996	1	
<b>8. Panhard rod</b>	C14140	1	
<b>9. Torque arm</b>	C11091	2	
<b>10. Torque arm bush</b>			
Standard	C8949	4	
Upated	C8949U	4	
<b>11. Front mounting plate</b>	C12343	2	
<b>12. Spring end pad</b>	C10843	2	
Upated	C10843U	2	

<b>13. Spring centre mounting plate</b>	C10845	2
<b>14. Spring centre mounting pad</b>		
Standard	C10844	4
Upated	C10844U	4
<b>15. Spring eye bush</b>	C8939*	2
<b>16. Panhard rod repair kit</b>		
Inc. rod, bushes, tubes, nuts, washers	C14140K	1
<b>17. Nuts &amp; bolts</b>		
Rear spring eye bolt	BH607261J	2
Rear spring eye bolt - nut	NY607041J	2
Round spring pad locking nut	NZ606041J	2
Spring front mounting plate bolt	SH605071J	4
Spring front mounting plate bolt	SH605101J	2
Spring front mounting plate bolt - nut	NY605041J	4
Spring centre mounting plate bolt	SH605071J	8
Spring centre mounting plate bolt - nut	NY605041J	8
Bolt through torque arm bush	BH607201J	4
Bolt through torque arm bush - nut	NY607041J	4
Panhard rod adjusting end locking nut	NT609041	1
Nut on each end of panhard rod	C8737/5	2
<b>18. Polybush polyurethane bush set</b>	SU9016PB	1
Improve handling, longer life and simple to fit!		



UK - Bridgnorth  
+44 (0) 1746 765 432  
[sales.uk@sngbarratt.com](mailto:sales.uk@sngbarratt.com)



USA - Manchester NH  
+1 800 452 4787 (toll free)  
[sales.usa@sngbarratt.com](mailto:sales.usa@sngbarratt.com)



FRANCE - Charney les Macon  
+33 (0) 3 85 20 14 20  
[sales.fr@sngbarratt.com](mailto:sales.fr@sngbarratt.com)



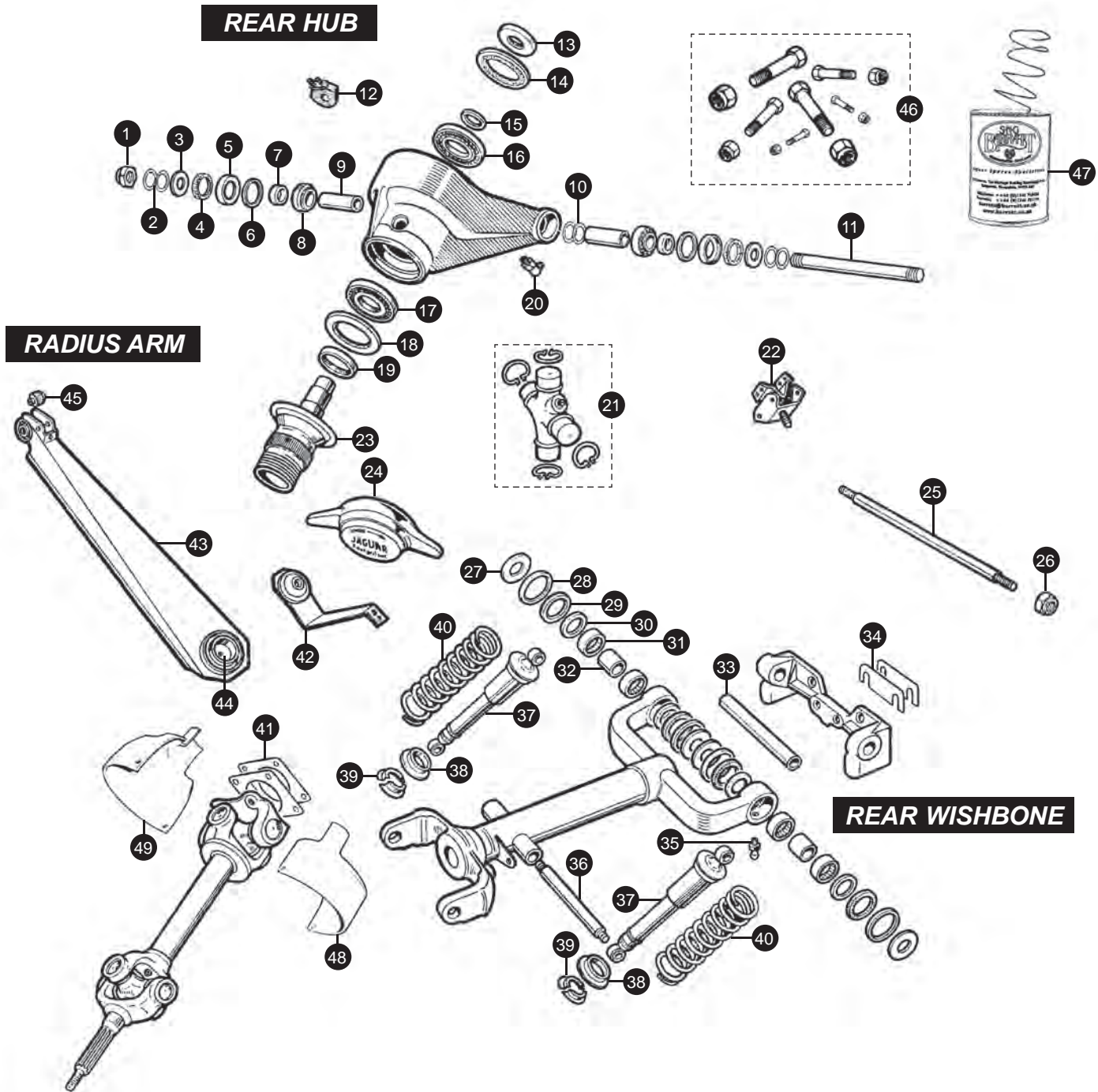
HOLLAND - Oisterwijk  
+31 (0) 13 52 11 552  
[sales.nl@sngbarratt.com](mailto:sales.nl@sngbarratt.com)





# S-TYPE REAR SUSPENSION

Buy on-line at [www.sngbarratt.com](http://www.sngbarratt.com)



**S-TYPE REAR SUSPENSION**Buy on-line at [www.sngbarratt.com](http://www.sngbarratt.com)**OUTER FULCRUM**

<b>1. Nut*</b>		NY607041J	4
<b>2. Shim*</b>	0.003"	C166261	A/R
	0.007"	C166262	A/R
<b>3. Retaining washer*</b>		C20182	4
<b>4. Felt oil seal*</b>		C20178	4
<b>5. Oil seal retainer*</b>		C20179	4
<b>6. Spacer*</b>		C20180	4
<b>7. Seal seating ring*</b>		C16628	4
<b>8. Outer fulcrum shaft bearing*</b>		C16029	4
<b>9. Sleeve*</b>		C166231	4
<b>10. Shim*</b>	0.004"	C16626	4
	0.007"	C166263	4

\*Items 1-10 are available as outer fulcrum repair kit C16029FK which contains enough parts for one side. 2

<b>11. Outer fulcrum shaft</b>		C16624	2
<b>12. Bump stop</b>		C40158	2
<b>13. Seating ring for inner oil seal</b>		CCC6807	2
<b>14. Inner hub oil seal*</b>		C15231	2
<b>15. Hub bearing spacer various sizes</b>		CCC6806	A/R
<b>16. Inner hub bearing*</b>		C15230	2
<b>17. Outer hub bearing*</b>		C19066	2
<b>18. Outer hub seal*</b>		C24789	2

\* Included in rear wheel bearing kit JLM9732E 2

<b>19. Seal seating ring</b>		C24791	2
<b>20. Grease nipple</b>		LN30041J	2

<b>21. Drive shaft universal joint</b>			
Standard		JLM9639	4
Uprated		JLM9639U	4

<b>22. Cradle mounting</b>			
Standard		C17198	4
Neoprene		C17198P	4

<b>23. Wire wheel splined hub</b>			
RH		C20889	1
LH		C20890	1

**24. Chrome spinner**Two eared

Jaguar	RH	C1102	1
	LH	C1103	1

Daimler	RH	C1102D	1
	LH	C1103D	1

Three eared

Jaguar	RH	C28684	1
	LH	C28685	1

Daimler	RH	C21270	1
	LH	C21271	1

**INNER FULCRUM**

<b>25. Inner fulcrum shaft</b>		C17008	2
<b>26. Nut*</b>		NY608041J	4

<b>27. Thrust washer*</b>		C17165	8
<b>28. Oil seal retainer*</b>		C17936	8
<b>29. Sealing ring*</b>		C17213	8
<b>30. Thrust washer*</b>		C17166	8
<b>31. Inner fulcrum shaft bearing*</b>		C17167	8
<b>32. Bearing tube*</b>		C17168/1	4

\*Items 26-32 are available as inner fulcrum repair kit C17167FK which contains enough parts for one side. 2

<b>33. Fulcrum shaft distance tube</b>		C176631	2
<b>34. Shim</b>	0.005"	C28427	A/R
	0.007"	C28428	A/R

<b>35. Grease nipple</b>		C3044/1	4
<b>36. Shock absorber mounting shaft</b>		C17013	2

<b>37. Shock absorber</b>			
Standard		C20606	4
Koni		80-1572	4

Please ring for our current range of adjustable shock absorbers

<b>38. Spring seat*</b>		C19821	4
<b>39. Split collet*</b>		8687	8

(\*For use with original style of shock absorbers only)

<b>40. Coil spring</b>		C23167	4
<b>41. Shim</b>		C16621	A/R
<b>42. Radius arm safety strap</b>		C42220	2
<b>43. Radius arm with bushes</b>		C23824	2
<b>44. Large radius arm bush</b>			
Standard		MHC3170AA	2
Polybush		MHC3170U	2
Polybush Racing Red		MHC3170U/RED	2

<b>Bolt through bush</b>		CBC9362	2
--------------------------	--	---------	---

<b>34. Small radius arm bush</b>			
Standard		MHC3160AA	2
Polybush		MHC3160U	2
Polybush Racing Red		MHC3160U/RED	2

<b>Bolt through bush</b>		C17149/1	2
--------------------------	--	----------	---

**46. Nuts & bolts**

Cradle mounting to body bolt		SH605071J	8
Cradle mounting to body bolt		UFS131/25R	8
Nut for cradle mounting bolt & studs		NY605041J	20
Shock absorber top mounting bolt		BH607171	4
Shock absorber top mounting bolt-nut		NY607041J	4
Nut for shock absorber lwr mtg shaft		NY607041J	4
Safety strap to body bolt		SH605061J	2
Brake disc retaining nut		NV607041J	8

**47. Stainless steel locking wire**

Sold by the metre		C21126	A/R
-------------------	--	--------	-----

<b>48. Half shaft cover</b>		C23616	2
-----------------------------	--	--------	---

<b>49. Half shaft cover</b>		C28844	2
-----------------------------	--	--------	---

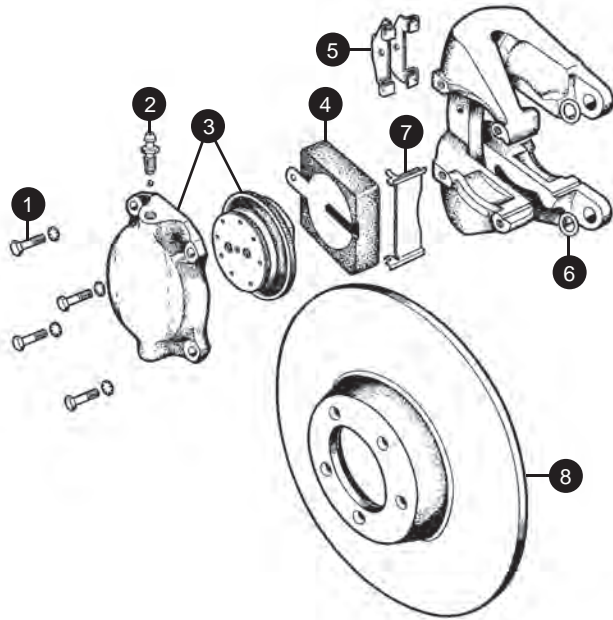




# MK2 & V8 BRAKES

Buy on-line at [www.sngbarratt.com](http://www.sngbarratt.com)

## FRONT



### FRONT BRAKES

1. Bolt	7720	16
2. Bleed nipple & ball bearing	6911	2
Ball available separately if required	5685	2
3. Piston and cylinder assembly		
Standard	8513	4
Stainless steel	8777SS	4

### Four piston front caliper conversions

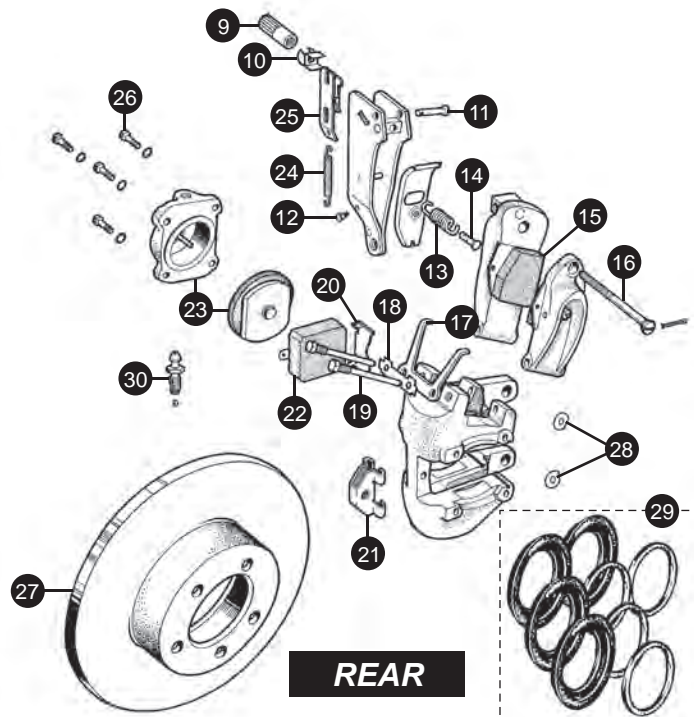
A quick and easy conversion to fit that has four stainless steel pistons housed within a solid XJ style caliper offering the benefit of greater braking power but also greatly increasing the pad area contacting the brake disc.

Kit to fit existing standard solid discs	SBS9086	1
Supplied with vented discs	SBS9093	1

4. Brake pad set		
Standard	10821	1
Kevlar	10821K	1
5. Brake pad retaining plate	9068	2
6. Caliper position adjusting shim		
0.004"	C7569	A/R
0.010"	C11723	A/R
7. Brake pad support plate	7718	4
8. Front brake disc		
Standard	C23484	2
Up-rated	C23484ROS	2

### REAR BRAKES

9. Handbrake ratchet nut	8980	2
10. Ratchet friction spring	8840	2
11. Hinge pin	8841	2
12. Anchor pin	8838	2
13. Return spring	8940	2

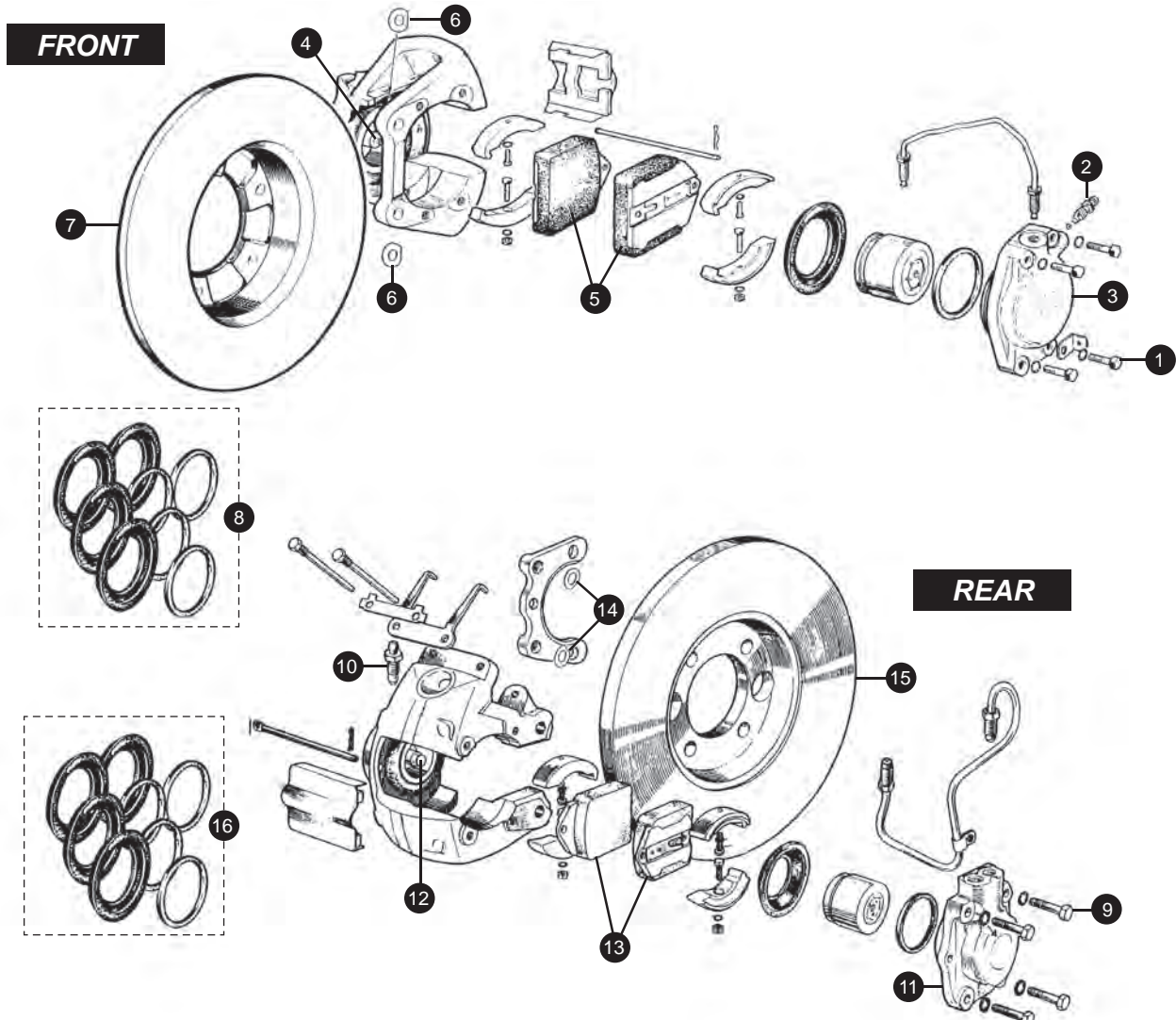


## REAR

14. Inner pad carrier anchor pin	8938	2
15. Handbrake pads	8522	1 set
16. Handbrake adjusting bolt	8845	2
17. Handbrake retraction fork	8846	2
18. Retraction fork locktab	8014	2
19. Handbrake attachment bolt	8016	4
20. Brake pad support plate	7718	4
21. Brake pad retainer	7719	2
22. Brake pad set		
Standard	10821	1
Kevlar	10821K	1
23. Piston and cylinder assembly		
Standard	64932063	4
Stainless steel	8816SS	4
24. Pawl tension spring	8837	2
25. Handbrake pawl	8836	2
26. Bolt	7720	16
27. Rear brake disc		
Standard	C13065	2
Up-rated	C13065ROS	2
28. Caliper position adjustment shim		
0.005"	C13198	A/R
0.020"	C13199	A/R
0.040"	C13994	A/R
29. Caliper seal kit		
Front	12319	1
Rear	12604	1
30. Bleed nipple & ball bearing	6911	2
Ball available separately if required	5685	2

# EARLY S-TYPE BRAKES

Buy on-line at [www.sngbarratt.com](http://www.sngbarratt.com)



**DUNLOP FRONT BRAKES** chassis number:

3.4 to 1B9190 & 1B26306  
 3.8 to 1B 59652 & 1B80375

<b>1. Bolt</b>		7720	8
<b>2. Bleed Nipple</b>		556508J	2
<b>3. Piston and cylinder assembly</b>			
	RH	10095	1
	LH	10109	1
<b>4. Piston in caliper</b>		10111SS	2
<b>5. Brake pad set</b>		11247	1
<b>6. Caliper position adjusting shim</b>			
	0.004"	C7569	A/R
	0.010"	C11723	A/R
<b>7. Front brake disc</b>	Standard	C23484	2
	Upated	C26779ROS	2
<b>8. Front caliper seal kit</b>		SP2776	1

**DUNLOP REAR BRAKES** up to chassis number

3.4 1B9190 & 1B26306  
 3.8 1B 59652 & 1B80375

<b>9. Bolt</b>		7720	8
<b>10. Bleed Nipple</b>		556508J	2

**11. Piston and cylinder assembly**

RH	10114	1
LH	10120	1

**12. Piston in caliper**

Standard	10122	2
Stainless steel	10122SS	2

**13. Brake pad set**

	11247	1
--	-------	---

**14. Caliper position adjusting shim**

0.005"	C13198	A/R
0.020"	C13199	A/R

**15. Rear brake disc**

Standard	C26779	2
Upated	C26779ROS	2

**16. Rear caliper seal kit**

	SP2775	1
--	--------	---

**Brake caliper upgrade conversions**

A quick and easy conversion to fit that has three stainless steel pistons housed within a solid style caliper offering the benefit of greater braking power but also greatly increasing the pad area contacting the brake disc.

Front kit for existing standard solid discs	SBS9086	1
Front kit with vented discs	SBS9093	1
Rear caliper upgrade		
(Bolt straight on later XJ rear calipers)	AAU3378	1
	AAU3379	1



UK - Bridgnorth  
 +44 (0) 1746 765 432  
[sales.uk@sngbarratt.com](mailto:sales.uk@sngbarratt.com)



USA - Manchester NH  
 +1 800 452 4787 (toll free)  
[sales.usa@sngbarratt.com](mailto:sales.usa@sngbarratt.com)



FRANCE - Charney les Macon  
 +33 (0) 3 85 20 14 20  
[sales.fr@sngbarratt.com](mailto:sales.fr@sngbarratt.com)

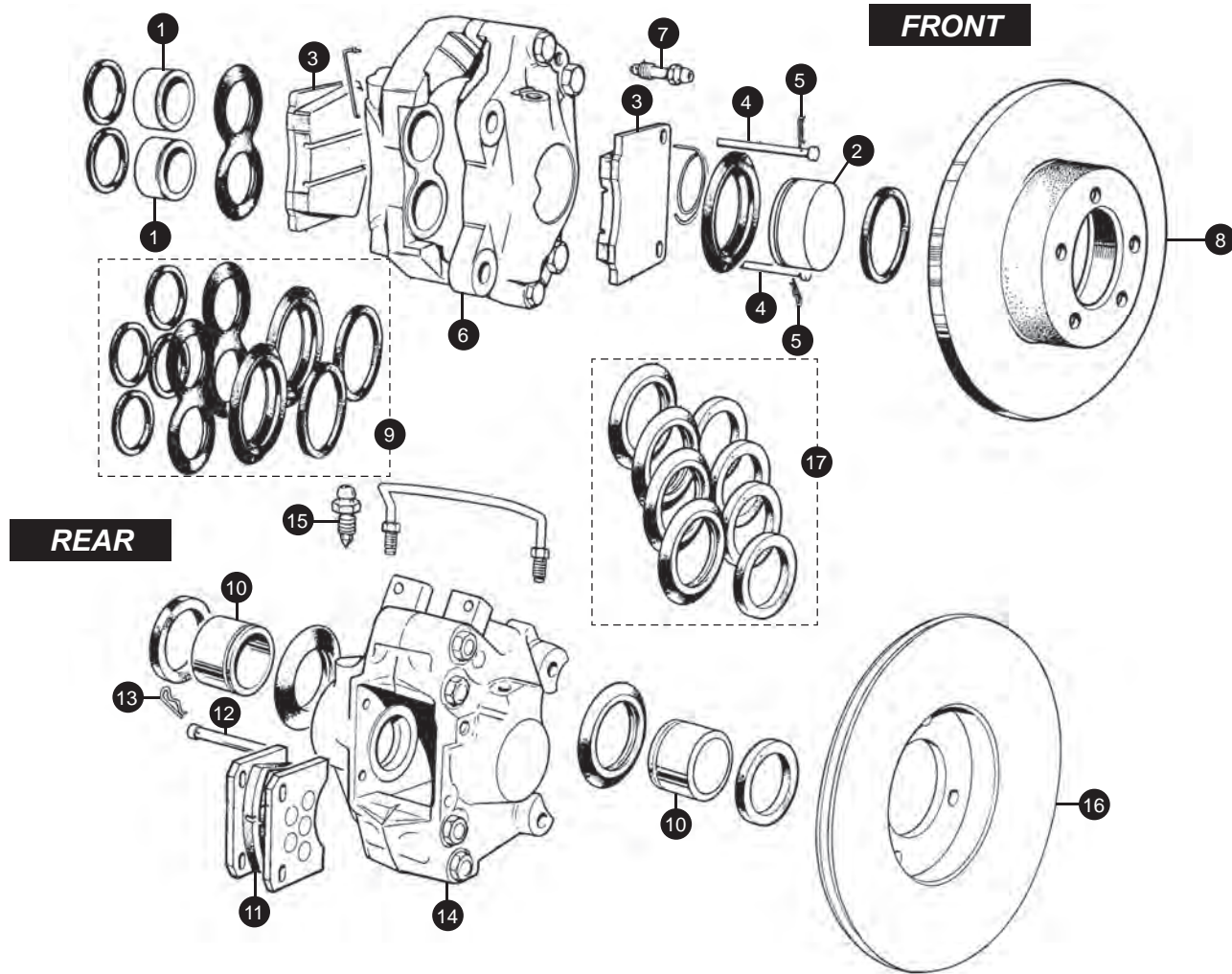


HOLLAND - Oisterwijk  
 +31 (0) 13 52 11 552  
[sales.nl@sngbarratt.com](mailto:sales.nl@sngbarratt.com)



# LATER S-TYPE BRAKES

Buy on-line at [www.sngbarratt.com](http://www.sngbarratt.com)



**GIRLING FRONT BRAKES** from chassis number:

3.4 1B9191 & 1B26307  
 3.8 1B 59653 & 1B80376

<b>1. Outer small brake piston</b>			
Standard	11365		4
Stainless steel	11365SS		4
<b>2. Inner large brake piston</b>			
Standard	605600SS		2
Stainless steel	605600SS		2
<b>3. Brake pad set</b>			
Standard	JLM9515		1
Kevlar	JLM9515K		1
<b>4. Brake pad retaining pin</b>			
	11368		2
<b>5. Brake pad retaining pin clip</b>			
	11369		2
<b>6. Front brake caliper assembly</b>			
RH	C26930		1
LH	C26931		1
<b>7. Bleed nipple</b>			
	601959		2
<b>8. Front brake disc</b>			
Standard	C27024		2
With 10.75" outside diameter	C27024SPEC		2
<b>9. Front brake caliper seal set</b>			
	11371		1

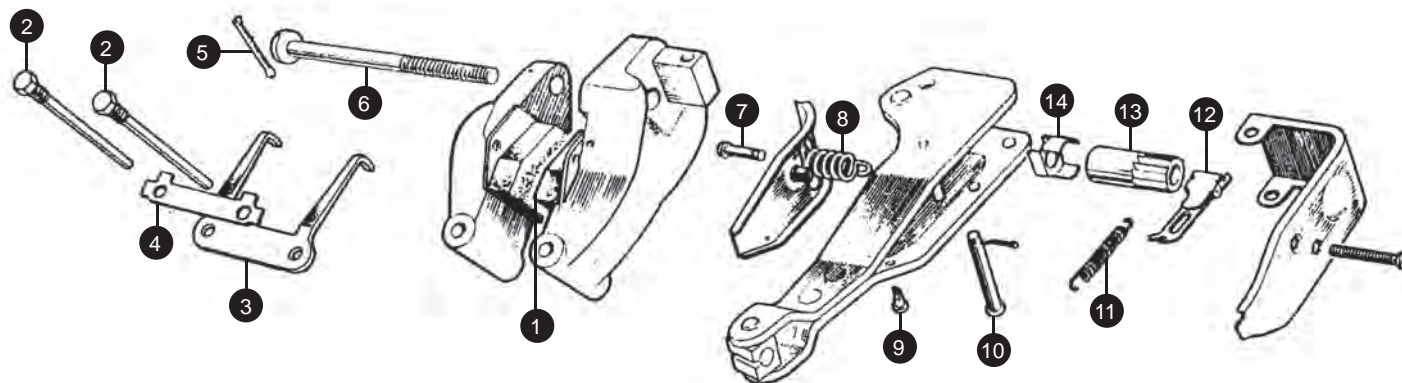
**GIRLING REAR BRAKES** from chassis number:

3.4 1B9191 & 1B26307  
 3.8 1B 59653 & 1B80376

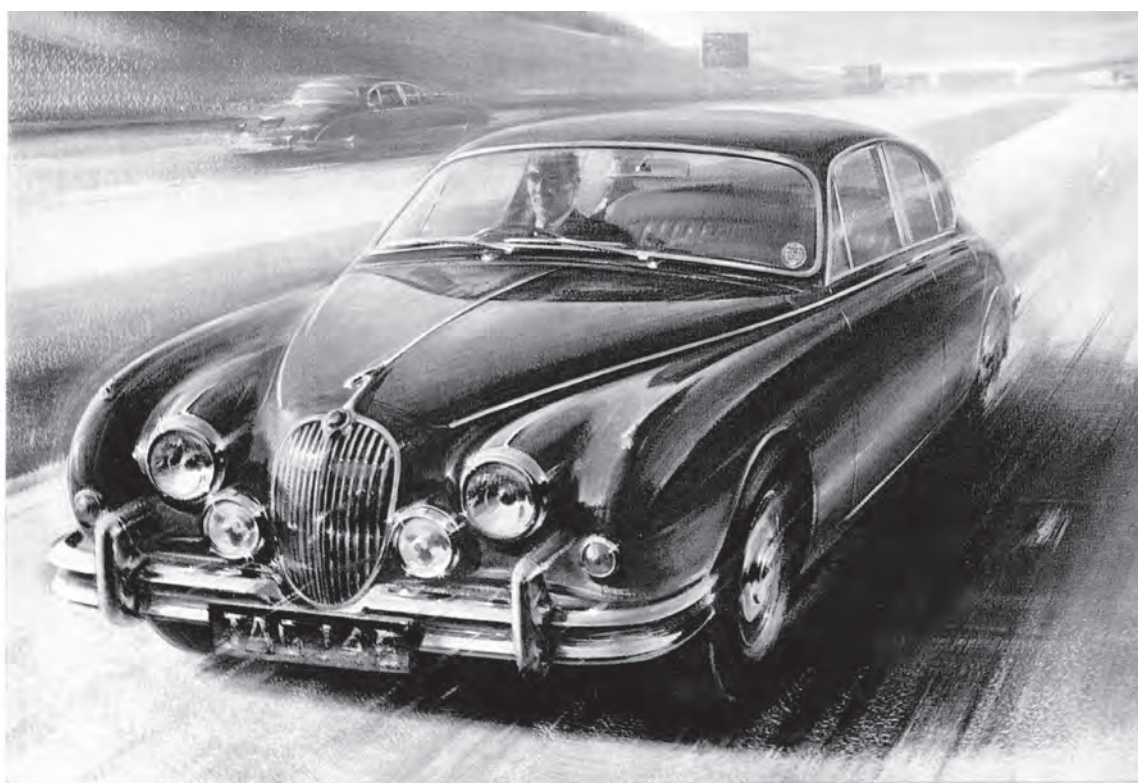
<b>10. Brake piston</b>			
Standard	11372		4
Stainless steel	11372SS		4
<b>11. Brake pad set</b>			
Standard	JLM9728		1
Kevlar	JLM9728K		1
<b>12. Brake pad retaining pin</b>			
	11368		2
<b>13. Brake pad retaining pin clip</b>			
	11369		2
<b>14. Rear brake caliper assembly</b>			
	RH	11833	1
	LH	11832	1
<b>15. Bleed nipple</b>			
	556508J		2
<b>16. Rear brake disc</b>			
Standard	C26779		2
Uprated	C26779ROS		2
<b>17. Rear brake caliper seal set</b>			
	11376		1

# S-TYPE HANDBRAKE CALIPER

Buy on-line at [www.sngbarratt.com](http://www.sngbarratt.com)



1. Handbrake pad set	JLM9518	1	8. Return spring	8940	2
2. Handbrake attachment bolt	8016	4	9. Anchor pin	8938	2
3. Retraction fork	9750	2	10. Hinge pin	8841	2
4. Retraction fork locktab	9751	2	11. Pawl tension spring	8837	2
5. Cotter pin	3752	2	12. Pawl assembly	8836	2
6. Adjustment bolt	8845	2	13. Handbrake ratchet nut	8980	2
7. Anchor pin	8938	2	14. Ratchet nut friction spring	8840	2



*The 3-4 Mark 2 Saloon*

*A special kind of motoring which no other car in the world can offer...*

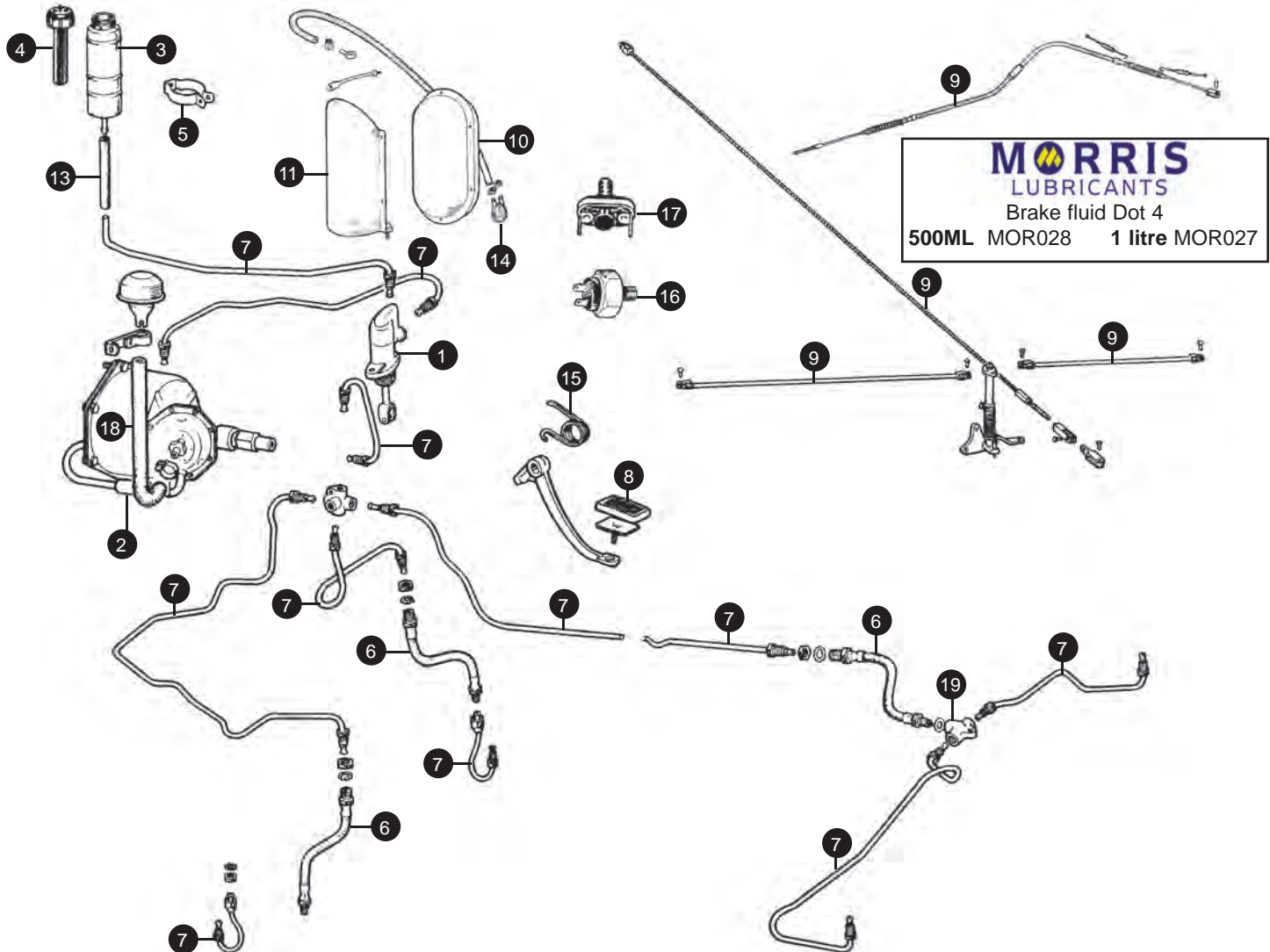
**JAGUAR**  
Grace... Space... Pace





# BRAKING SYSTEM COMPONENTS

Buy on-line at [www.sngbarratt.com](http://www.sngbarratt.com)



### 1. Brake master cylinder

MK2/V8	Dunlop	11977	1
	Girling	C27160	1
S-Type-	original cylinder obsolete use	C27186	1

### Brake master cylinder repair kit

All models	Dunlop	605164	1
	Girling	11608	1

### 2. Brake servo

MK2/V8		C19612	1
S-Type	Early small type	C19612	1
	Later larger type	C24707	1

### Alternative replacement servos

More modern, slightly smaller with greater efficiency			
3:1 boost ratio with fitting kit		LE10117	
4:25:1		LR18230	

### Brake servo repair kit (C19612 unit)

MK2/V8/S-Type early			
	Drum	8055	1
	Main	8415	1
	Air valve	9211	1

S-Type late (C24707 unit)	10809	1
---------------------------	-------	---

<b>3. Brake fluid reservoir</b>	C23638	1
<b>4. Brake fluid reservoir cap</b>	C23632	1
<b>Rubber cover</b>	C23627	1

<b>5. Brake fluid reservoir bracket</b>		
RHD	C23497	1
LHD	C23497	1

<b>6. Flexible brake hoses</b>		
<u>Standard Rubber</u>		
MK1/2/V8	Front	C13686 2
	Rear	C13687 1

S-Type	Front	C13686 2
	Rear	CBC1396 1

<b>Large fine thread nut</b>	C3910	3
<b>Washer</b>	C3911	3

<u>Goodridge Braided</u>	Front	<u>Rear</u>	
MK2/V8/S-Type	Front	C13686SS	2
	Rear	C13687SS	1

# BRAKING SYSTEM COMPONENTS

Buy on-line at [www.sngbarratt.com](http://www.sngbarratt.com)



S-Type	Front	C13686SS	2
	Rear	C30754SS	1

## 7. Cunifer brake pipe set

Full set with each pipe, cut to length, fitted with unions and it's position on the car clearly marked.

	RHD	LHD	
MK2 2.4 to 1966	GB5501	GL5501	1
1966 on	GB5502	GB5502	1
MK2 3.4/3.8 to 1966	GB5503	GB5503	1
1966 on	GB5504	GB5504	1
S-Type	GB5519	GB5519	1

## 8. Brake pedal rubber

	Manual	Auto	
MK2	C8969	C6876	1
Daimler V8	C27521	C6876	1
S-Type	C8969	C6876	1

## 9. Handbrake cable

MK2/V8	Main	C15512	1
	RH rear	C19495	1
	LH rear	C19496	1
S-Type		C22026	1



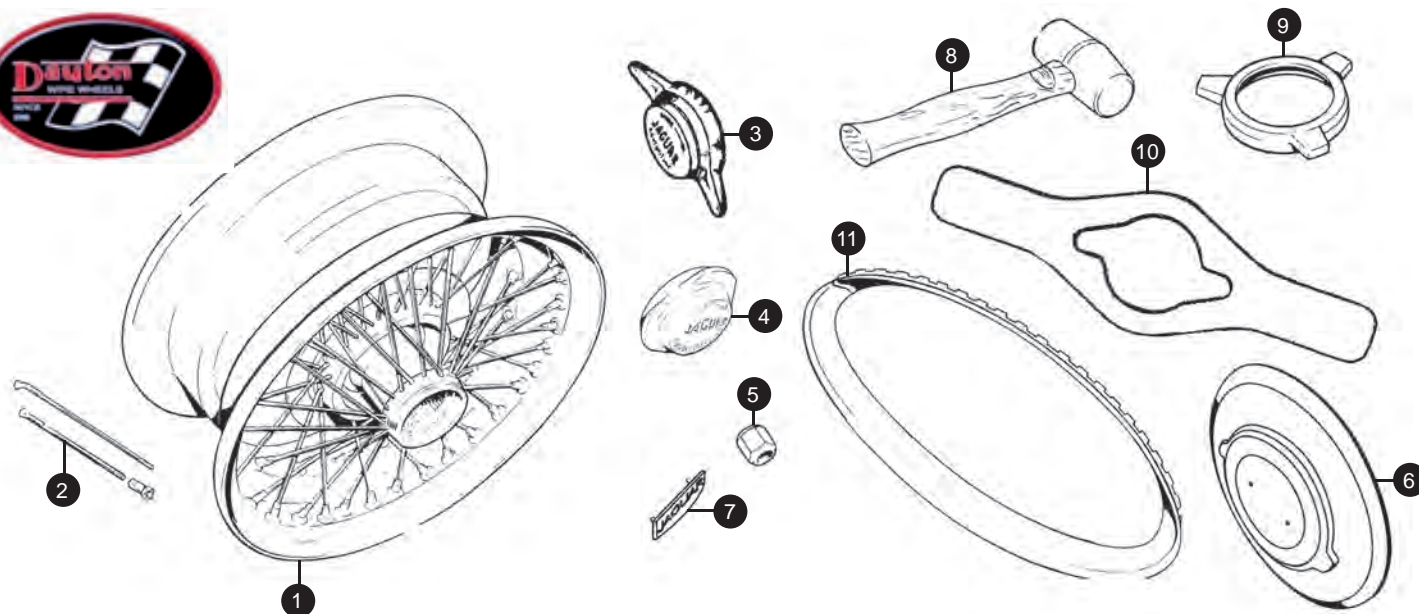
### The sheer joy of Jaguar

The day you decide to own a Jaguar will be the day you rediscover the pure pleasure of motoring—the safe security of modern travel that transcends all the demands of long motorway journeys or the frustration of town traffic. Only the most meticulous precision in advanced engineering and design could impart the high performance, the consummate safety and the deep LAMORNA courtesy of the Jaguar. Whether you choose the Mark Ten, the Mark 2, the 'S' model or the 'E' Type—you will not only acquire a fine possession but a special kind of motoring which no other car in the world can offer.

<b>10. Brake vacuum tank</b> MK2/V8/S-Type	C24910	1
<b>11. Brake vacuum tank stone shield</b>	C24913	1
<b>12. Brake vacuum/fluid hose</b> Vacuum hose braided type (per foot)	BR1010	A/R
Vacuum hose smooth type (per metre)	C14963	A/R
<b>13. Brake fluid reservoir hose (original braided type)</b>	C200725	A/R
<b>14. Brake vacuum valve</b>	C14693	1
<b>15. Brake pedal return spring</b> MK2/V8/S-Type		
Manual	C8963	1
Auto	C8966	1
<b>16. Brake light switch</b>	C16062	1
<b>17. Handbrake warning light switch</b>	C16660	1
<b>18. Brake servo breather hose</b>	C13883	1
<b>19. 3 way union</b>	C29888	1







**SNG Barratt** have been selling Dayton Wire Wheels, which are made by skilled craftsmen in the USA, for several years now. In that time we have found that our customers are not only thrilled by their price, but also by the quality of their construction too! If you're thinking of fitting chrome wire wheels to your Jaguar or replacing a set that have seen better days, take a look at this list of Dayton features before you decide which wheels to buy!

**a) Stainless steel spokes** which cannot rust and have twice the fatigue resistance of chrome-plated spokes.

**b) Swaged spokes** which are thicker at the hub and tapered to the rim. The swaging process gives the spoke a smooth, brilliant finish, provides more even distribution of stress, and allows the use of more spokes for added strength.

**c) Four-layer nickel-chrome plating** for greater durability and corrosion resistance.

**d) Custom designs** with the bolt circle and center locating hole precisely machined to each vehicle's original wheel specification for smooth running.

**e) Expert polishing** of all parts. Rims are polished on both front and back sides.

**f) Fully tested designs** to the Society of Automotive Engineers' specification J328 for fatigue resistance.

**g) Each wheel is hand-tightened** and gauged for concentricity. Spokes are pre-loaded with even tension for durability and precise wheel alignment. Periodic retreating and retightening are not required.

**h) Three year** comprehensive manufacturer's warranty.

	15x5J	15x6J	16x6J	16x7J
Curly hub to '67	D455	JB156	JB166	-
Flat hub '67 on	D472	EB156	EB157	EB167

Centre laced - JW156 - -

#### 2. Wire wheel spokes (standard size wheels)

	Long	Short	
Curly hub	7796	7801	A/R
Flat hub	7796	C37426	A/R

#### 3. Two eared chrome spinner

RH C1102 LH C1103 2

#### 4. Three eared Continental chrome spinner

RH C28684 LH C28685 2

#### 5. Wheel nut (for pressed steel wheels)

C3041 16

#### 6. Chrome hub cap

Jaguar early with long badge C3243 4  
Jaguar late with round badge C27134 4

Daimler V8 to 1A12580/1A20564 C21260 4  
Daimler V8 1A12581/1A20565 on C27134 4

#### 7. Hubcap badge

Jaguar early long badge C3367 4  
Jaguar late with round badge C27140 4  
Daimler (all models) C21256 4

#### 8. Wire wheel hammer

Copper/Hide C992 1  
Lead (Mazak/Zinc) C27290 1

#### 9. Three eared spinner tool

C28687 1

#### 10. Wooden two eared spinner saver

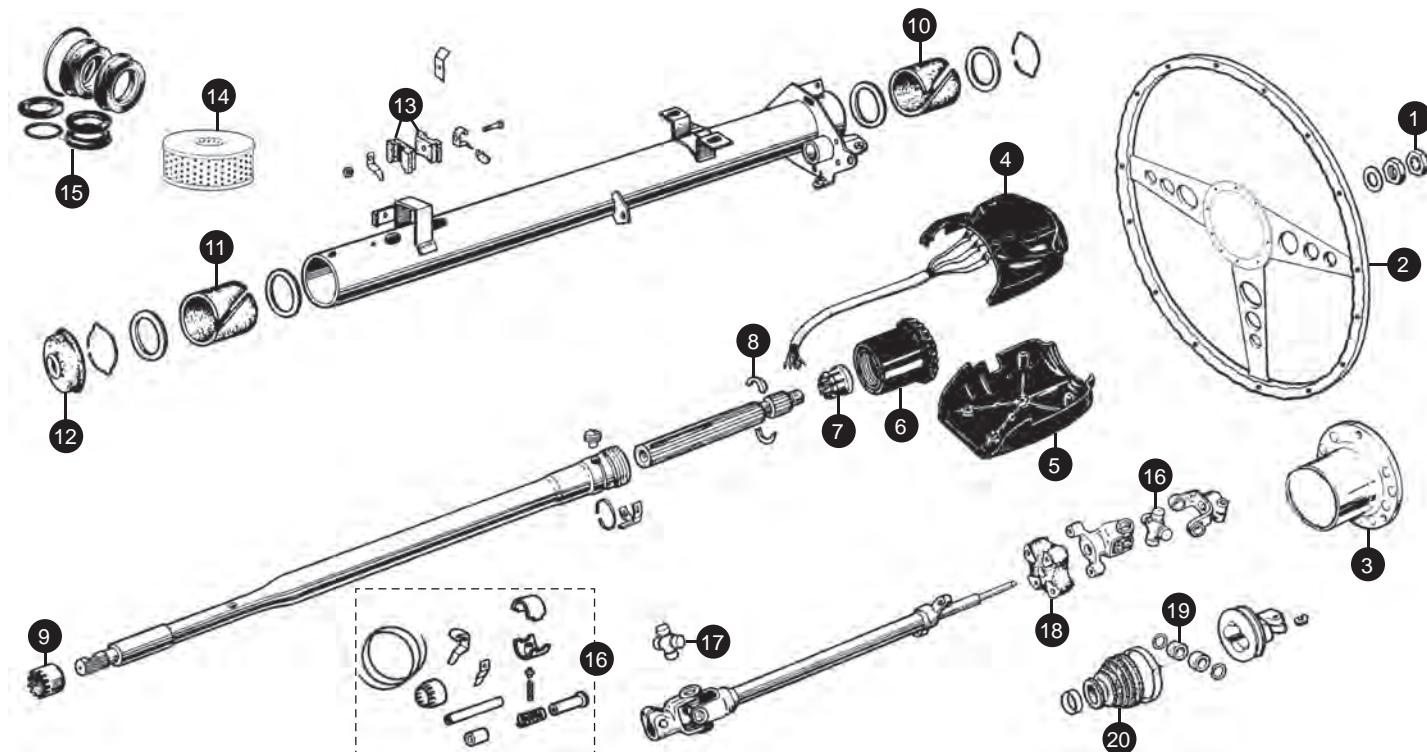
SBS9306 1

#### 11. Chrome wheel rim trim

C21983 4

# STEERING

Buy on-line at [www.sngbarratt.com](http://www.sngbarratt.com)



- 1. Steering wheel nut C7879 1
- 2. Motolita woodrim steering wheel  
Our best selling wheel simply looks great on any MK2, S-Type or V8. Simply select the diameter that suits you best from 13, 14 or 15 inches and add the boss kit listed below.
- 13" MLW1115-13 1
- 14" MLW1115-14 1
- 15" MLW1115-15 1



**Derrington reproduction steering wheel** which was another popular accessory steering wheel fitted to Jaguar saloons in the 1960's.



C25198 1

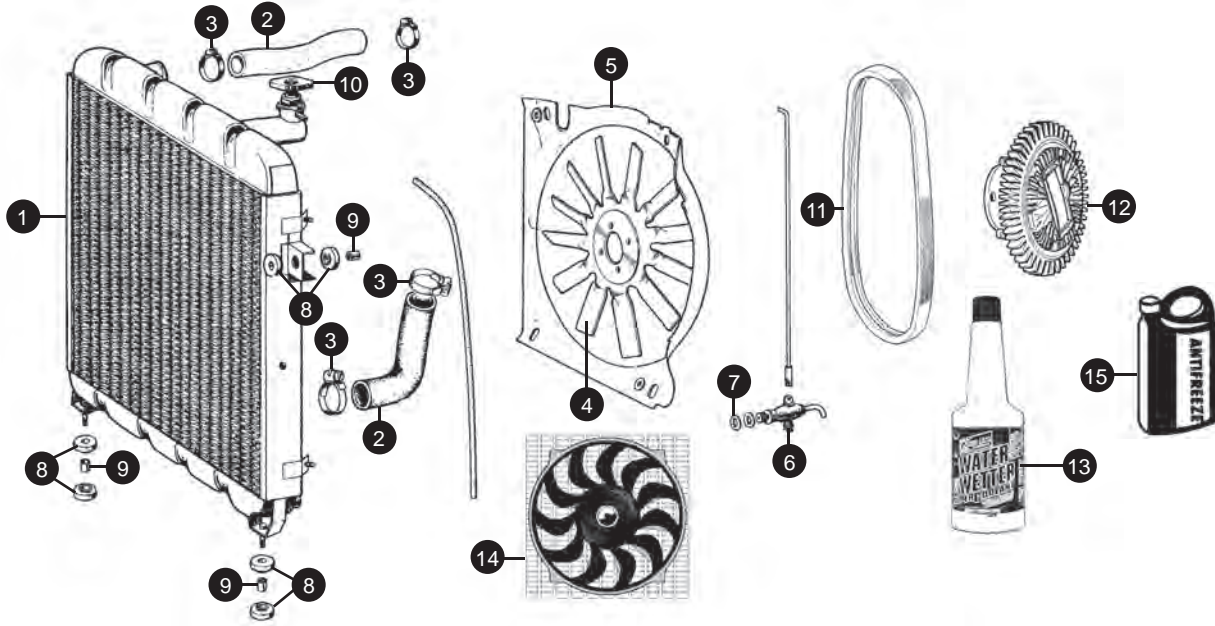
- 3. Motolita steering wheel boss (for MLW 1115 style wheel)  
Includes hornpush B33H 1
- 4. Upper column cover C15685 1
- 5. Lower column cover C15420 1
- 6. Column locknut C40029 1
- 7. Split collet 8671 1
- 8. Collets C7878 pair
- 9. Horn slip ring C10317 1
- 10. Upper steering column bush  
Felt C10264 1  
Plastic C23592 1
- 11. Lower steering column bush  
Felt C20149 1  
Plastic C23593 1
- 12. Lower seal C3323 1
- 13. Contact holder C8158 2
- 14. Power steering oil filter 7752 1
- 15. Seal repair kit  
Steering pump SU9008 1  
Steering box Manual steering main seal 6415 1  
Early power steering SU9001 1  
Late power steering 1026/11027 1
- 16. Horn & steering column repair kit SBS1281 1  
Contains everything needed to get your horn working again!
- 17. Steering column UJ 5426 1/2
- 18. Steering column rubber coupling 150696 1
- 19. Steering column nylon rollers 9614 2
- 20. Steering column gaiter 9616 1





# COOLING SYSTEM

Buy on-line at [www.sngbarratt.com](http://www.sngbarratt.com)



### 1. Radiator assembly

All radiators are available to order as reconditioned, new or reproduced in aluminium.

MK2	early	C12672	1
	late	C27105	1
V8 2.5/250	manual	C27470	1
1A1001-1A12039	auto	C24917	1
1A20001-1A20545			
1A12040 on, 1A20546 on	auto	C27181	1
S-Type	manual	C27105	1
	auto	C25970	1

### 2. Cotton reinforced water hose kits

MK2 2.4	HK013R	1
MK2 240	HK012R	1
MK2 3.4/3.8	HK011R	1
MK2 340	HK016R	1
V8 2.5/250	HK014R	1
S-Type 3.4/3.8	HK015R	1

### 3. Hose clip set

MK2 2.4/240	HK013/C	1
MK2 3.4/3.8	HK011/C	1
340	HK016/C	1
V8 2.5/250	HK014/C	1
S-Type	HK015/C	1

### 4. Radiator cooling fan

MK2	C12391	1	
V8	7A1001-7A1098	C21721	1
	7A1099 on	C21735	1
S-Type	C12391	1	

### 5. Radiator fan cowl

MK2/S-Type	C24965	1
V8	C24964	1

### 6. Radiator drain tap

C4439/1 1

### 7. Radiator drain tap washer

C784 1

### 8. Radiator mounting pad

C8975 1

### 9. Mounting rubber spacer tube

C8976 1

### 10. Radiator pressure cap

MK2	very early deep seat 4lb	C10289	1
	later shallow seat 4lb	C18460	1
Daimler V8	7lb	C18484	1
S-Type	4lb	C18460	1

### 11. Drive belts

MK2 2.4/240		C19523	1
MK2 3.4/3.8/340		C19525	1
Daimler V8	Dynamo	C21025	1
	Alternator	C27354	1
	Power steering	C21109	1
S-Type 3.4/3.8		C19525	1

### 12. Viscous fan coupling

Daimler V8 NBC2215AA 1

### 13. Water Wetter miracle coolant

CH2077 A/R

Simply add to the coolant on your Jaguar and it can reduce the running temperature of your cooling system by up to 20 degrees Fahrenheit.

### 14. Kenlowe Thermostatically Controlled Electric Fan Kit

Electrically powered fan kit that is fitted to supplement the original fan that can be set to cut in and out at your preferred temperature. All models SBS1341 1

### 15. Jaguar Antifreeze 1 Litre

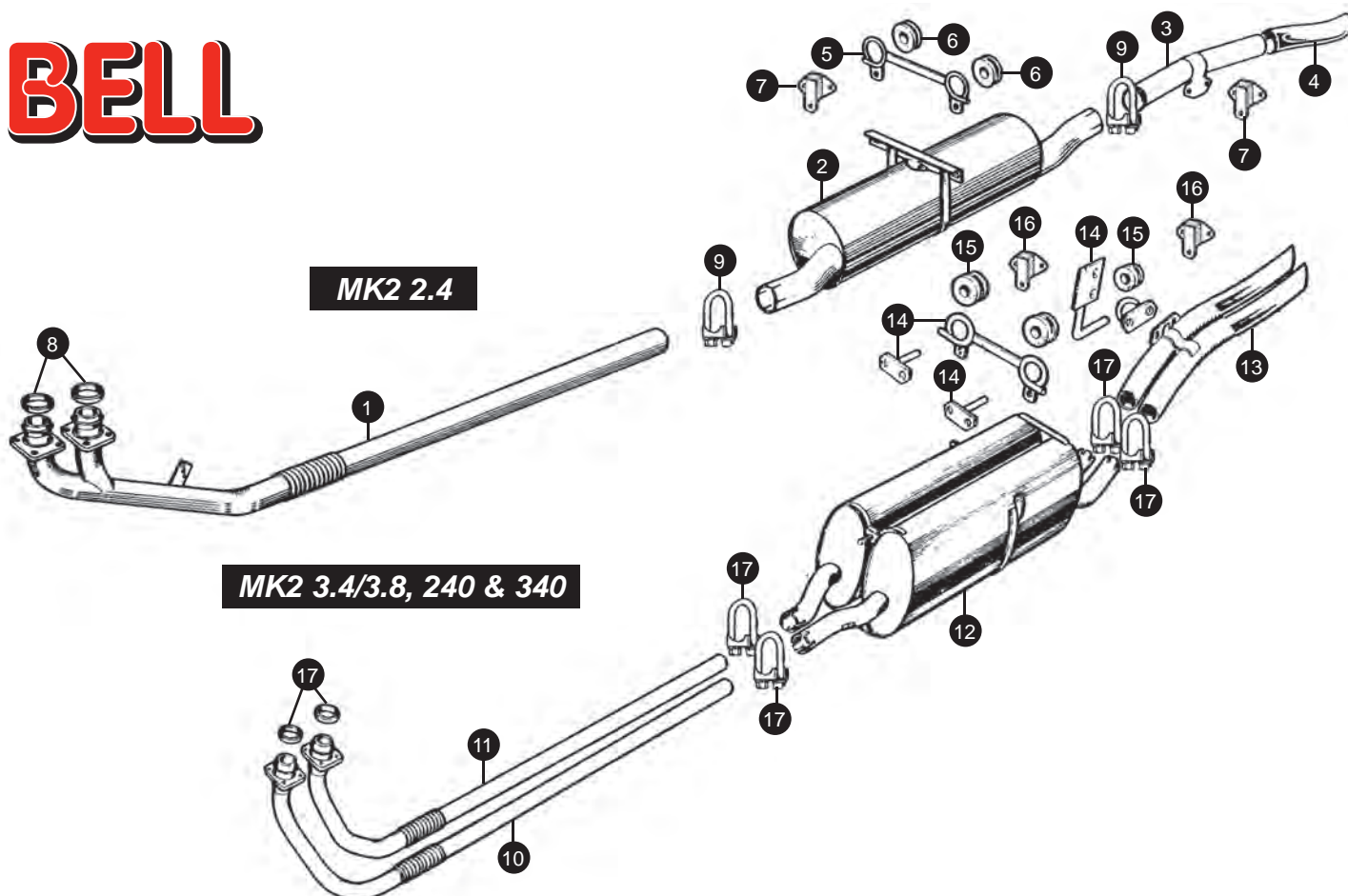
JLM204042 A/R

# MK2 STAINLESS EXHAUST SYSTEMS

Buy on-line at [www.sngbarratt.com](http://www.sngbarratt.com)



# BELL



<b>MK2 2.4 full single system</b>	BSSJR005	1
<b>Complete exhaust fitting kit</b> (Mountings, clamps and seals)	EFK015	1

<b>1. Front pipe</b>	BSJR69	1
<b>2. Silencer</b>	BSJR115	1
<b>3. Tailpipe</b>	BSJR114	1
<b>4. Tailpipe polished trim</b>	BSJR112	1
<b>5. Hanging bracket set</b>	SBS5002	1
<b>6. Mounting rubber in hoops</b>	C25020	2
<b>7. Rubber mounting</b> (alternative to original bracket set and as supplied in our fitting kit)	C8397	3
<b>8. Downpipe seal</b>	EBC9388	2
<b>9. Exhaust clamp</b>	GEX9008	2

<b>MK2 240 full twin system</b>	BSSJR006	1
<b>Complete exhaust fitting kit</b> Mountings, clamps and seals	EFK015	1

<b>MK2 3.4/3.8 full twin system</b> 1960-61 early cars	BSSJR007	1
Mountings, clamps and seals	EFK015	1

<b>MK2 3.4/3.8/340 full twin system</b> 1961 on later cars	BSSJR009	1
Mountings, clamps and seals	EFK015	1

<b>10. Front downpipe</b> 240	BSJR118	1
3.4/3.8 1960-61	BSJR59	1
3.4/3.8 1961 on	BSJR70	1

<b>11. Rear downpipe</b> 240	BSJR119	1
3.4/3.8 1960-61	BSJR60	1
3.4/3.8 1961 on	BSJR71	1

<b>12. Silencer</b>	BSJR110	1
<b>13. Tailpipe</b>	BSJR35	1
<b>14. Hanging bracket set</b>	SBS5002	1
<b>15. Mounting rubber in hoops</b>	C25020	3

<b>16. Rubber mounting</b> (alternative to original bracket set and as supplied in our fitting kits)		
Straight	C8397	3
Angled 90 degrees (where used)	JLM9542	A/R

<b>17. Downpipe seal</b>	EBC9388	2
<b>18. Exhaust clamp</b>	GEX9008	4

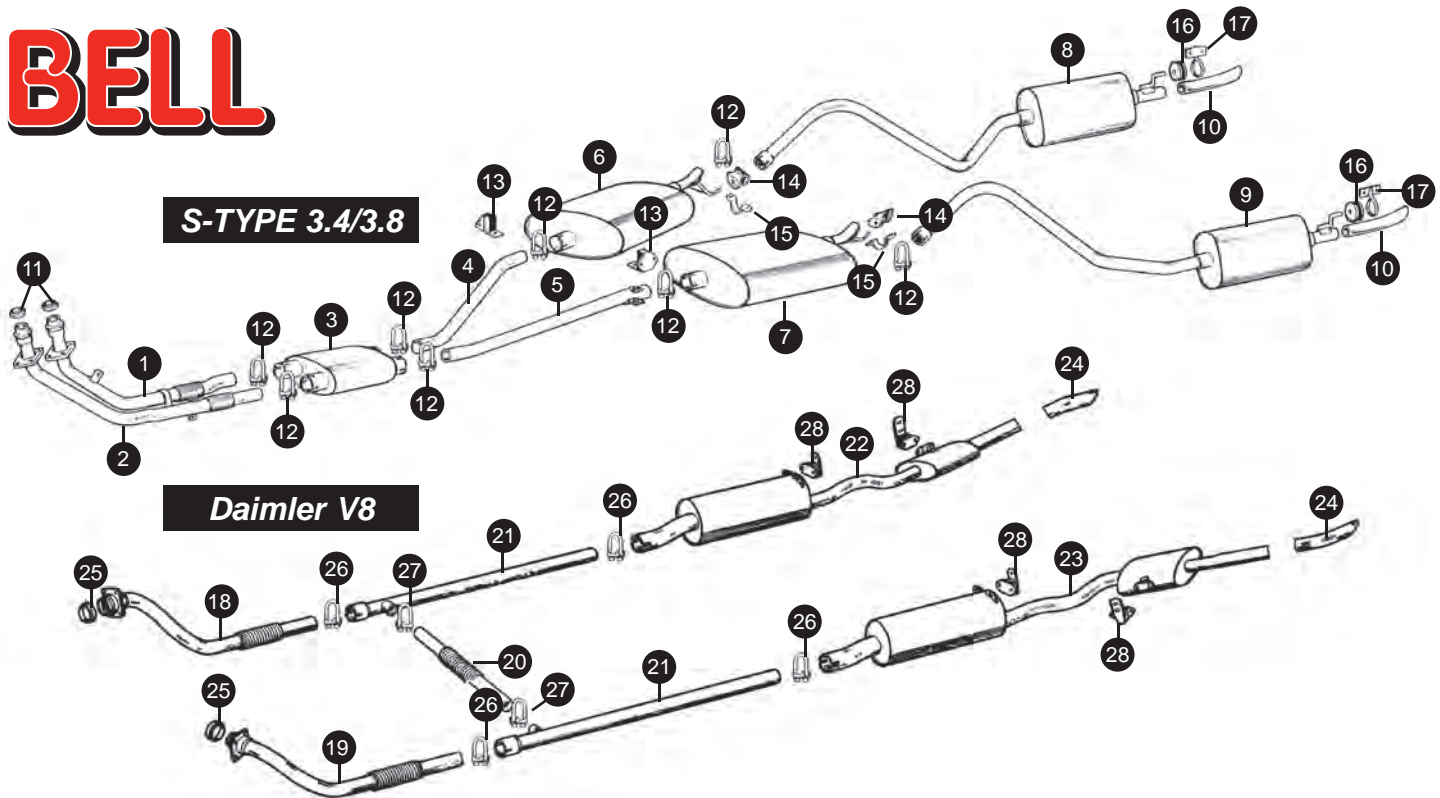




# S-TYPE & V8 STAINLESS EXHAUST SYSTEMS

Buy on-line at [www.sngbarratt.com](http://www.sngbarratt.com)

# BELL



<b>S-Type 3.4/3.8 full system</b>	BSSJR011	1
<b>Complete exhaust fitting kit</b> (Mountings, clamps and seals)	EFK012	1

1. Front pipe RH	BSJR61	1
2. Front pipe LH	BSJR62	1
3. Binocular box	BSJR48	1
4. Interpipe RH	BSJR63	1
5. Interpipe LH	BSJR64	1
6. Silencer box RH	BSJR65	1
7. Silencer box LH	BSJR66	1
8. Silencer and tailpipe RH	BSJR98	1
9. Silencer and tailpipe LH	BSJR99	1
10. Chrome tailpipe trim	BSJR100	2
11. Downpipe seal	EBC9388	2
12. Exhaust clamp	GEX9008	8
13. Mounting 90 degrees	JLM9542	2
14. Mounting rubber	C19632	2
15. Bracket	C19631	2
16. Mounting rubber	C22410	2
17. Mounting ring	C23262	2

<b>Daimler V8 full system</b>	BSSJR012	1
<b>Complete exhaust fitting kit</b> (Mountings, clamps and seals)	EFK014	1

18. Front pipe RH	BSJR72	1
19. Front pipe LH	BSJR73	1

20. Balance pipe	BSJR74	1
21. Interpipe	BSJR82	2
22. RH Silencer & interpipe	BSJR92	1
23. LH Silencer & interpipe	BSJR93	1
24. Tailpipe trim	BSJR94	2
25. Downpipe seal	EBC9388	2
26. Exhaust clamp 48mm	GEX9008	4
27. Exhaust clamp 36mm	ECL36	2
28. Mounting	C8397	4

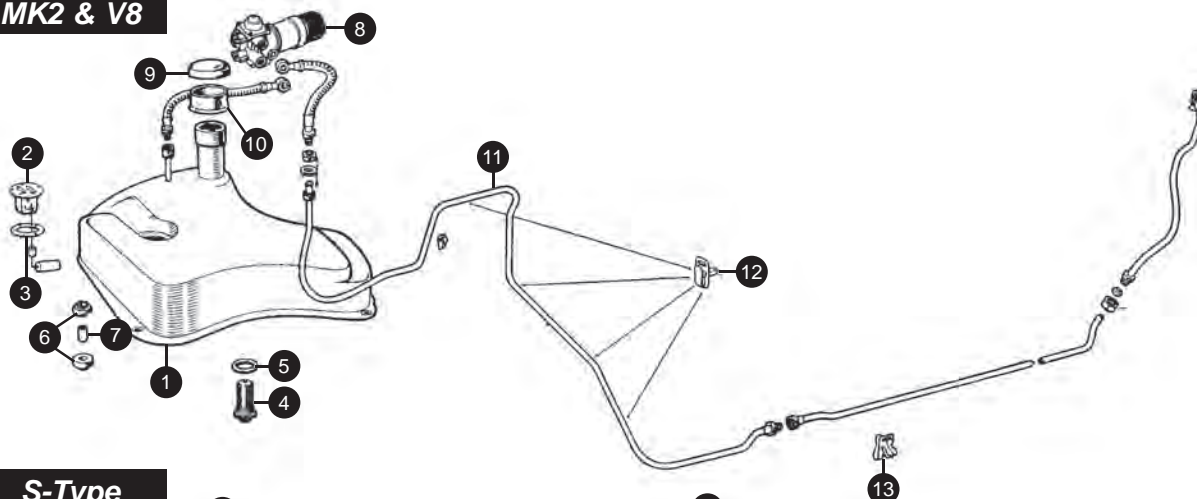


# FUEL SYSTEM

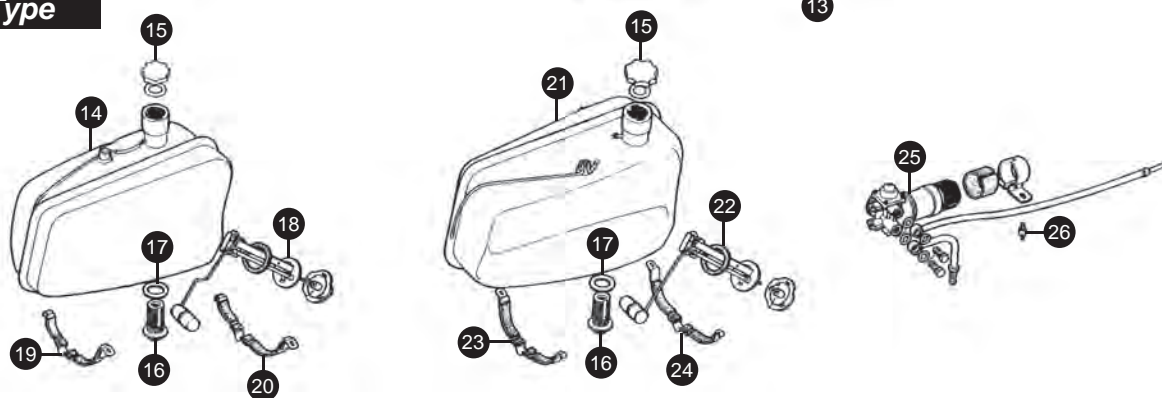
Buy on-line at [www.sngbarratt.com](http://www.sngbarratt.com)



## MK2 & V8



## S-Type



### MK2 & V8

<b>1. Fuel tank</b>	C17565	1
<b>2. Fuel sender unit</b>	C15476	1
<b>Screw</b>	UFS313/3H	6
<b>Washer</b>	C2296/9	6
<b>3. Gasket</b>	C937	1
<b>4. Sump filter</b>	C990/1	1
<b>5. Seal</b>	C26310	1
<b>6. Tank mounting pad</b>	C3053	6
<b>7. Spacer tube</b>	C6390	3
<b>8. Fuel pump</b>		
Negative earth (standard points type)	AZX1308	1
Negative earth (solid state type)	AZX1308EN	1
Positive earth (standard points type)	AZX1319	1
Positive earth (solid state type)	AZX1319EN	1
<b>Fuel pump banjo bolt</b>	C11488	2
<b>Fuel pump banjo washer</b>	AUC2141	4
<b>9. Fuel filler cap</b>		
Non Locking	C23601	1
Locking	C12816	1
<b>10. Neck seal</b>	BD9898	1
<b>11. Fuel pipe kit</b>	SBS1224	1
<b>12. Fuel pipe clip</b>	C10268	7
<b>13. Fuel pipe clip</b>	C3737	3/5

### S-Type

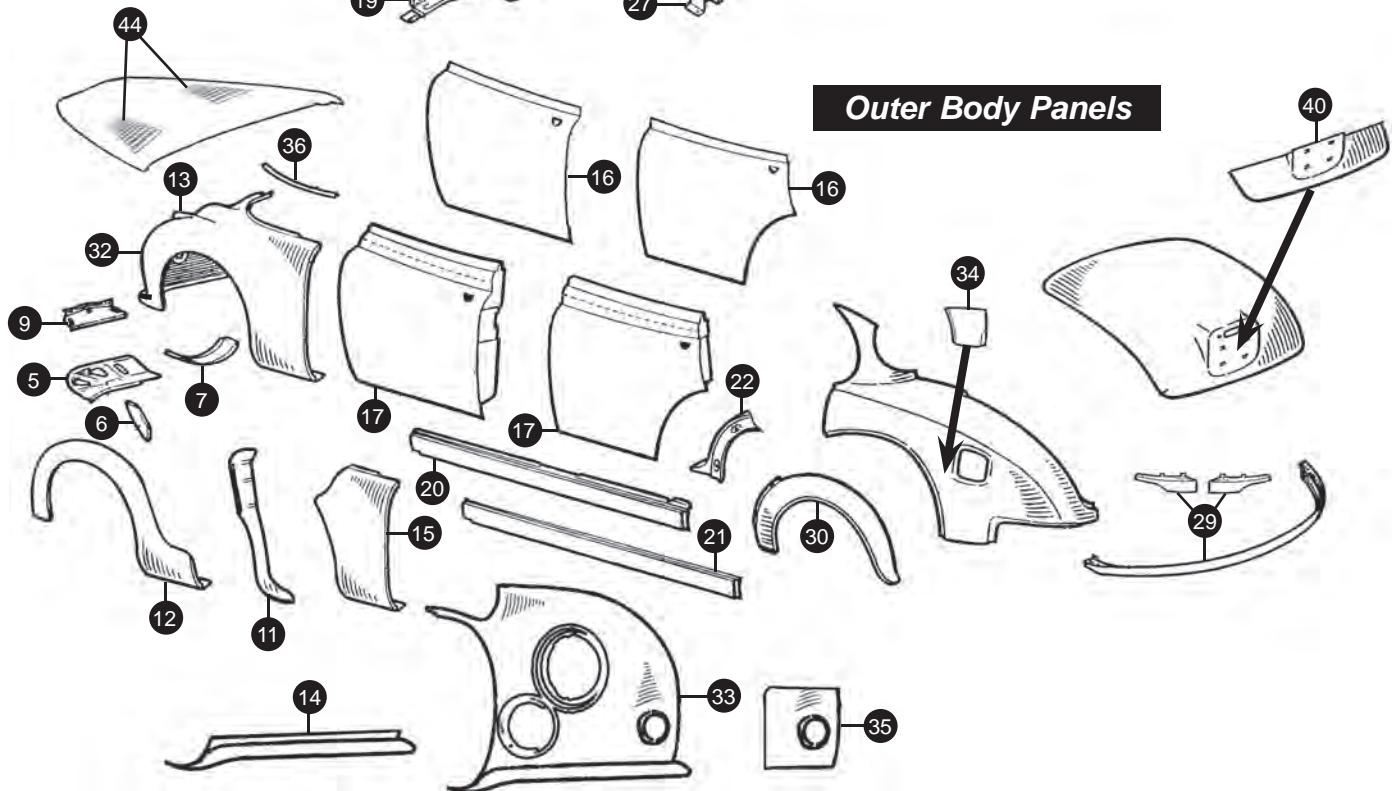
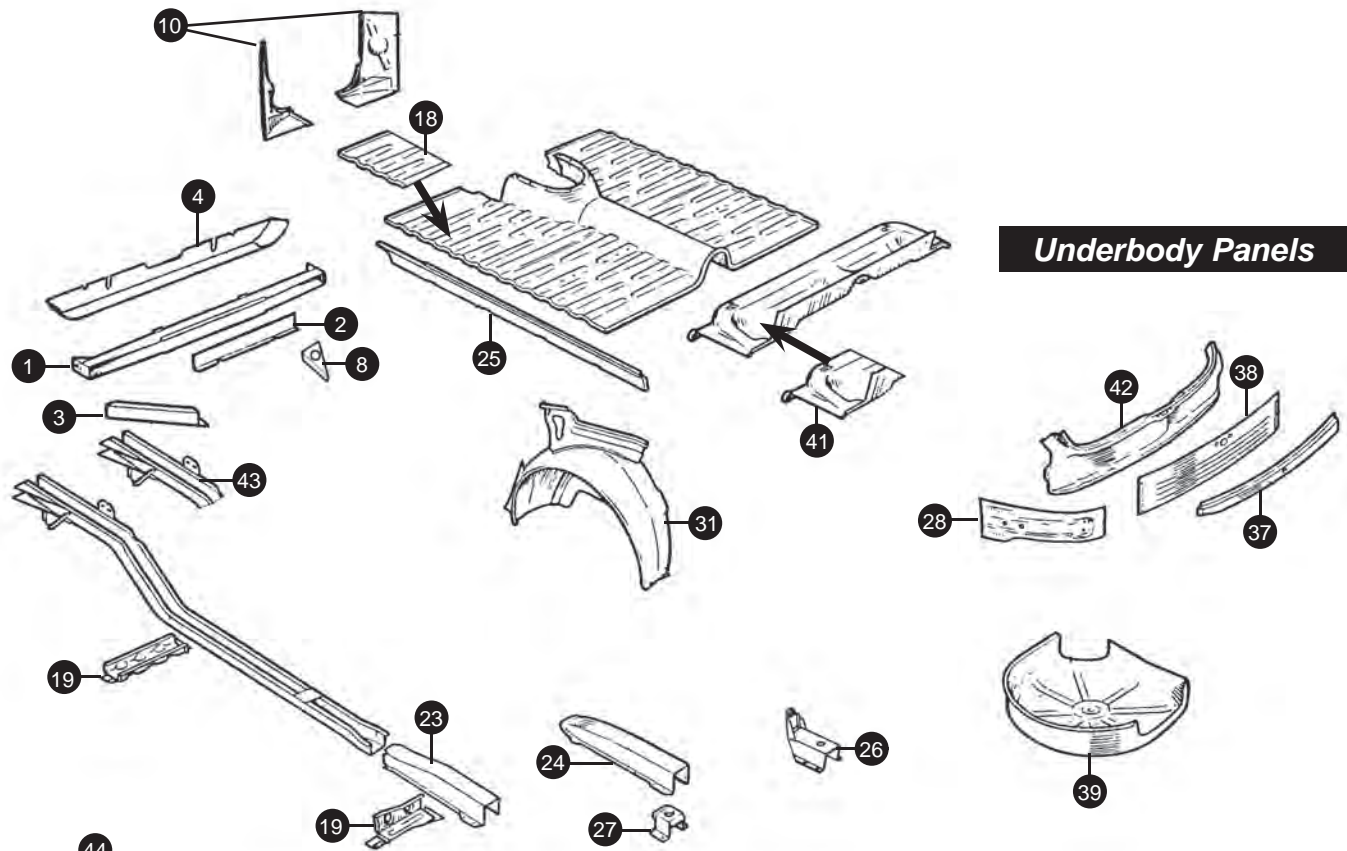
<b>14. Fuel tank LH</b>	C22469	1
<b>15. Fuel filler cap</b>		
Non Locking	C23601	2
Locking	C12816	2
<b>16. Sump filter</b>	C990/1	2
<b>17. Seal</b>	C26310	2
<b>18. Fuel sender unit LH</b>	C21974	1
<b>19. Tank support strap LHR</b>	BD25256	1
<b>20. Tank support strap LHF</b>	BD25254	1
<b>21. Fuel tank RH</b>	C22470	1
<b>22. Fuel sender unit RH</b>	C26211	1
<b>23. Tank support strap RHR</b>	BD25255	1
<b>24. Tank support strap LHF</b>	BD25253	1
<b>25. Fuel pump</b>		
Negative earth (standard points type)	AZX1308	1
Negative earth (solid state type)	AZX1308EN	1
Positive earth (standard points type)	AZX1319	1
Positive earth (solid state type)	AZX1319EN	1
<b>Fuel pump banjo bolt</b>	C11488	4
<b>Fuel pump banjo washer</b>	AUC2141	8
<b>26. Fuel pump mounting</b>	C24792	4





# MK2, V8, 240 & 340 BODY PANELS

Buy on-line at [www.sngbarratt.com](http://www.sngbarratt.com)



# MK2, V8, 240 & 340 BODY PANELS

Buy on-line at [www.sngbarratt.com](http://www.sngbarratt.com)



<b>1. Front crossmember</b>	5137	1			
<b>2. Front crossmember closing panel</b>	4130	1			
<b>3. Front crossmember brace</b>					
RH	4128	1			
LH	4129	1			
<b>4. Front crossmember valance</b> 240/340/V8250 models only	BD25969	1			
<b>5. Front wing stay bracket</b>					
RH	6602	1			
LH	6603	1			
<b>6. Gusset reinforcing stay bracket</b>					
RH	6604	1			
LH	6605	1			
<b>7. Saddle panel under grille</b>	6627	1			
<b>8. Radiator mounting bracket</b>					
RH	6584	1			
LH	6585	1			
<b>9. Radiator access panel</b>	6721	1			
<b>10. Radiator cowl</b>					
RH	7219	1			
LH	7220	1			
<b>11. Baffle splash panel behind front wheel</b>					
RH	10529	1			
LH	10530	1			
<b>12. Front wheelarch repair section</b>					
RH	MRK012RH	1			
LH	MRK012LH	1			
<b>13. Sidelamp housing repair section</b>	MRK013	2			
<b>14. Lower front skirt repair section</b>					
RH	MRK014RH	1			
LH	MRK014LH	1			
<b>15. Rear half of front wing repair section</b>					
RH	MRK015RH	1			
LH	MRK015LH	1			
<b>16. Door skin 3/4 repair section</b>					
RHF	8154	1			
LHF	8155	1			
RHR	8159	1			
LHR	8160	1			
<b>17. Door frame lower repair panel</b>					
RHF	MRK016DBRHF	1			
LHF	MRK016DBLHF	1			
RHR	MRK016DBRHR	1			
LHR	MRK016DBLHR	1			
<b>18. Front floor panel repair section above jacking point</b>					
RH	MRK017RH	1			
LH	MRK017LH	1			
<b>19. Jacking point and outrigger assembly</b>					
All models					
RHF	6738	1			
LHF	6739	1			
RHR	6736	1			
LHR	6737	1			
<b>20. Full sill with step</b>					
RH	4109	1			
LH	4110	1			
<b>21. Sill repair section without step</b>					
RH	MRK020ARH	1			
LH	MRK020ALH	1			
<b>22. D post repair section</b>					
RH	MRK021RH	1			
LH	MRK021LH	1			
<b>23. Upper reinforcing channel for rear spring</b>					
RH	6722	1			
LH	6723	1			
<b>24. Lower reinforcing channel rear spring</b>					
RH	6582	1			
LH	6583	1			
<b>25. Inner sill</b>					
RH	7003	1			
LH	7032	1			
<b>26. Panhard rod mounting bracket</b>	8933	1			
<b>27. Upper spring clamp</b>	6741	1			
<b>28. Tonneau panel</b>					
RH	8119	1			
LH	8120	1			
<b>29. Rear lower valance</b>					
MK2 3.4/3.8 thin valance, fat bumper	8321	1			
MK2 2.4 thin valance, fat bumper	MRK028B	1			
240/340 fat valance, thin bumper	MRK028A	1			
Daimler V8 2.5 thin valance, fat bumper	MRK028C	1			
Daimler V8 250 fat valance, thin bumper	MRK028E	1			
<b>30. Rear spat panel</b>					
Standard					
RH	BD17011	1			
LH	BD17012	1			
<b>Steel sports type</b>					
RH	MRK029ARH	1			
LH	MRK029ALH	1			
<b>Fibreglass sports type</b>	BD17011/12C	pair			
<b>31. Inner rear wheel arch assembly</b>					
RH	8113	1			
LH	8114	1			
<b>32. Full front wing</b>					
RH	11141	1			
LH	11142	1			
<b>33. Front wing nose section</b>					
RH	MRK032RH	1			
LH	MRK032LH	1			
<b>34. Rear wing lower repair section</b>					
RH	MRK033RH	1			
LH	MRK033LH	1			
<b>35. Front wing indicator repair section</b>					
RH	MRK034RH	1			
LH	MRK034LH	1			
<b>36. Front wing seam capping</b>	6665	2			
<b>37. Boot lock panel</b>	6038	1			
<b>38. Boot reinforcement panel</b>	4127	1			
<b>39. Spare wheel well</b>	4104	1			
<b>40. Boot lid lower repair section</b>	5112RP	1			
<b>41. Rear seat panel repair</b>					
RH	MRK046RH	1			
LH	MRK046LH	1			
<b>42. Spare wheel well rear panel</b>	MRK047	1			
<b>43. Front chassis longitudinal repair section</b>					
RH	7079R	1			
LH	5102RP	1			
<b>44. Coombs style louvred bonnet</b>	5100C	1			

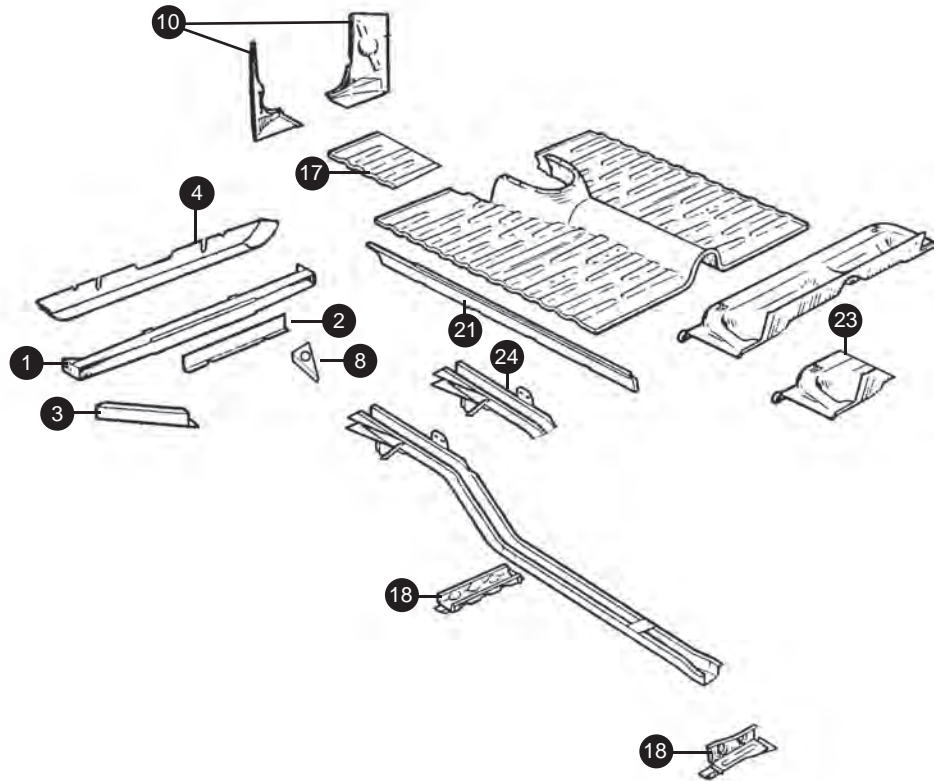




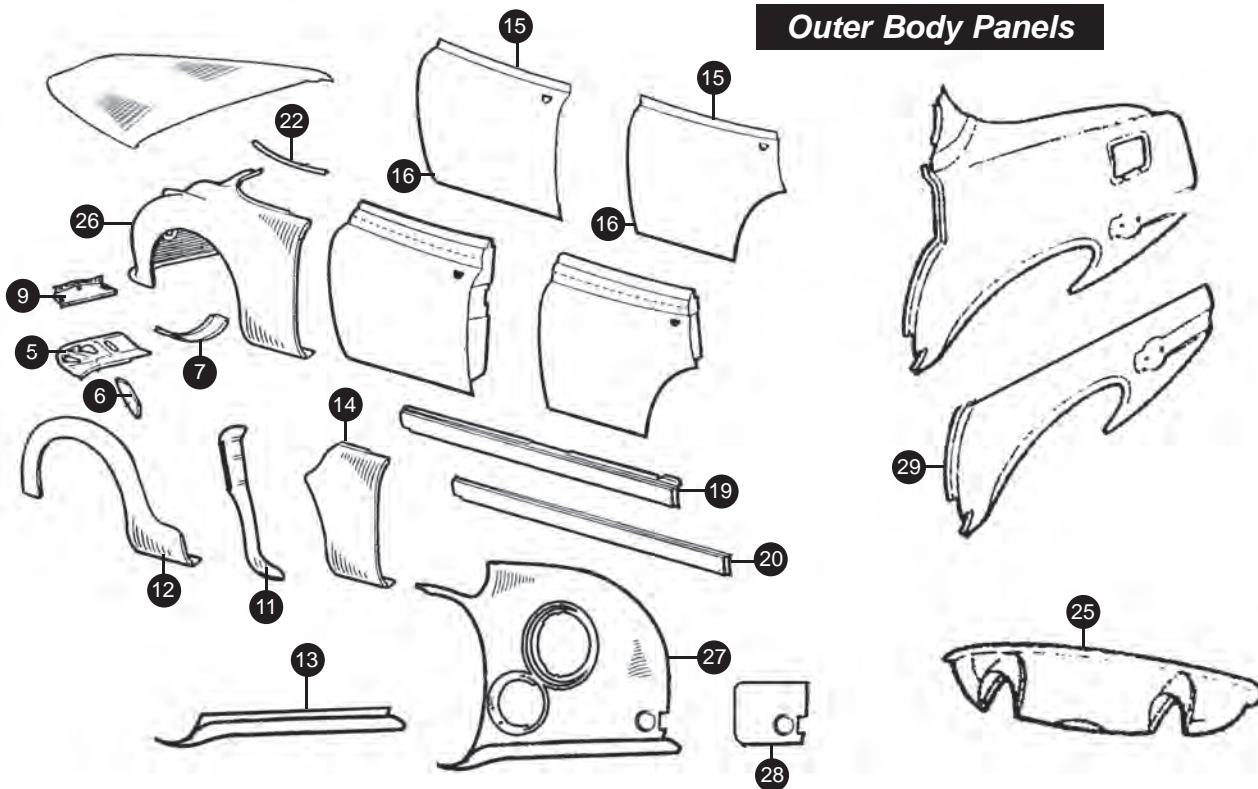


# S-TYPE BODY PANELS

Buy on-line at [www.sngbarratt.com](http://www.sngbarratt.com)



## Underbody Panels



## Outer Body Panels

# S-TYPE BODY PANELS

Buy on-line at [www.sngbarratt.com](http://www.sngbarratt.com)



<b>1. Front crossmember</b>	5137	1
<b>2. Front crossmember closing panel</b>	4130	1
<b>3. Front crossmember brace</b>		
RH	4128	1
LH	4129	1
<b>4. Front crossmember valance</b>	BD25969	1
<b>5. Front wing stay bracket</b>		
RH	6602	1
LH	6603	1
<b>6. Gusset reinforcing stay bracket</b>		
RH	6604	1
LH	6605	1
<b>7. Saddle panel under grille</b>	6627	1
<b>8. Radiator mounting bracket</b>		
RH	6584	1
LH	6585	1
<b>9. Radiator access panel</b>	6721	1
<b>10. Radiator cowl</b>		
RH	7219	1
LH	7220	1
<b>11. Baffle splash panel behind front wheel</b>		
RH	10529	1
LH	10530	1
<b>12. Front wheelarch repair section</b>		
RH	MRK012RH	1
LH	MRK012LH	1
<b>13. Lower front skirt repair section</b>		
RH	MRK014RH	1
LH	MRK014LH	1
<b>14. Rear half of front wing repair section</b>		
RH	MRK015RH	1
LH	MRK015LH	1
<b>15. Door skin 3/4 repair section</b>		
RHF	8154	1
LHF	8155	1
RHR	8159	1
LHR	8160	1
<b>16. Door frame lower repair panel</b>		
RHF	MRK016DBRHF	1
LHF	MRK016DBLHF	1
RHR	MRK016DBRHR	1
LHR	MRK016DBLHR	1
<b>17. Front floor panel repair section above jacking point</b>		
RH	MRK017RH	1
LH	MRK017LH	1
<b>18. Jacking point and outrigger assembly</b>		
RHF	6738	1
LHF	6739	1
RHR	10312	1
LHR	10313	1

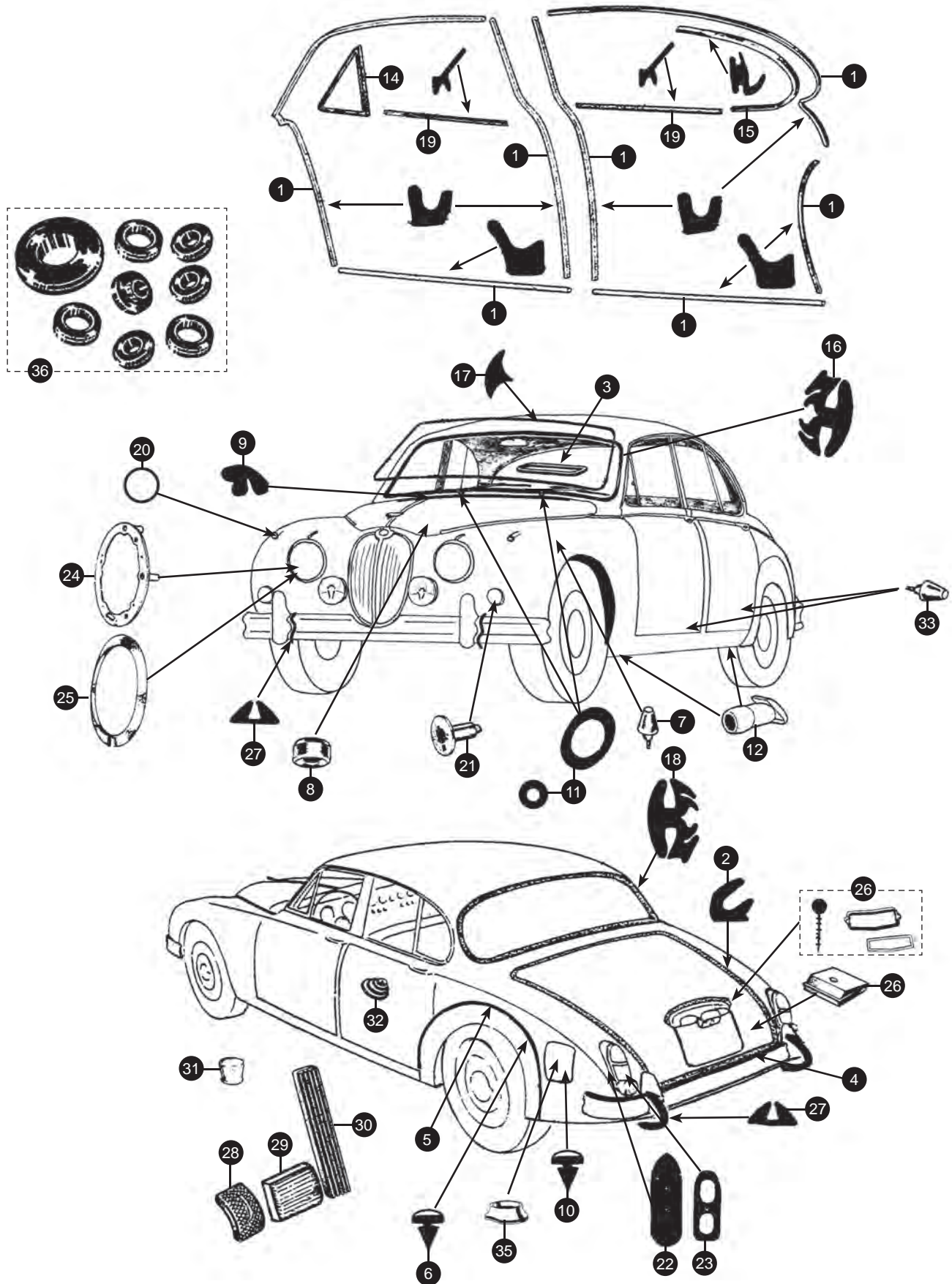
<b>19. Full sill with step</b>		
RH	4109	1
LH	4110	1
<b>20. Sill repair section without step</b>		
RH	MRK020ARH	1
LH	MRK020ALH	1
<b>21. Inner sill</b>		
RH	7003	1
LH	7032	1
<b>Middle inner sill (not illustrated)</b>		
RH	10157	1
LH	10158	1
<b>22. Front wing seam capping</b>	6665	2
<b>23. Rear seat panel repair</b>		
RH	MRK046RH	1
LH	MRK046LH	1
<b>24. Front chassis longitudinal repair section</b>		
RH	5101RP	1
LH	5102RP	1
<b>25. Rear lower valance</b>	BD25977	1
<b>26. Full front wings</b>		
RH	11144	1
LH	11145	1
<b>27. Front wing nose section</b>		
RH	MRK032AARH	1
LH	MRK032AALH	1
<b>28. Front wing side lamp &amp; indicator repair section</b>		
RH	MRK034ARH	1
LH	MRK034ALH	1
<b>29. Rear wing lower half repair section</b>		
RH	MRK035RH	1
LH	MRK035LH	1





# MK2/V8 BODY RUBBERS

Buy on-line at [www.sngbarratt.com](http://www.sngbarratt.com)



# MK2/V8 BODY RUBBERS

Buy on-line at [www.sngbarratt.com](http://www.sngbarratt.com)



1. Door rubber set		DSK0100	1
2. Boot lid seal		BD14100/1	2
3. Scuttle vent seal		BD9876	1
4. Rear bumper seal		BD9949/1	1
5. Rear spat seal		BD17847/1	1
6. Rear spat buffer		BD4321	6
7. Bonnet front buffer		BD4951	2
8. Bonnet rear buffer		BD10224	2
9. Bonnet rear seal		BD4920/3	1
10. Petrol flap buffer		BD4321	2
11. Wiper bezel gasket		7769	2
Washer jet gasket		MP1002	pair
12. Jacking point bung		C4928	4
13. Front quarter light seal	RH	BD17049	1
	LH	BD17048	1
15. Rear quarter light seal	RH/LH	BD17072	2
16. Windscreen seal		BD26888	1
17. Windscreen insert strip		BD48847	1
18. Rear screen seal		BD16992	1



THE 1965 JAGUARS.

If you're going abroad, money-saving overseas delivery can be arranged. You can save money by ordering your Jaguar here for delivery overseas, this includes air and marine freight. Delivery is arranged in any principal European city, to British purchase taxes to pay. Later, your new car is shipped home for many years of enjoyable driving. And the money you save will pay for much of your trip!

To learn more about Jaguar's Overseas Delivery, see your Dealer or write appropriate Service Reader Service Card number: Jaguar "will be a loyalist."

19. Door glass outer waist seal			
Early models	felt	BD20010/1	4
Late models	rubber (as image)	BD46440/3	4
Clip for	BD20010/1 on outer	BD22312	24
Door glass inner waist seal		BD20010/1	4
20. Side lamp seal		8669	2
21. Front indicator gasket		8059	2
22. Tail lamp mtg gasket		9721	2
23. Tail lamp lens gasket		8083	2
24. Headlamp mounting gasket		9403	2
25. Headlamp dust excluder		3446	2
26. Reverse lamp housing seal		BD429092	1
Rev lamp lens gasket		3488	1
Rev lamp gasket		3489	1
27. Overider rubber set		209K	2
28. Brake/clutch pedal rubber			
	Jaguar	C8969	2
	Daimler	C27521	2
29. Brake pedal rubber	Automatic	C6876	1
30. Accelerator pedal rubber		C11671	1
31. Dipswitch boot		C22276	1
32. Gearlever gaiter		BD14134	1
33. Door bottom buffers		BD4951	4
34. Boot lid buffer		BEC14310	2
35. Petrol tank neck seal		BD9898	1
36. Grommet set		SBS1013	1





# S-TYPE BODY RUBBERS

Buy on-line at [www.sngbarratt.com](http://www.sngbarratt.com)



<b>1. Door rubber set</b>		DSK0100	1
<b>2. Boot lid seal</b>		BBC44411	1
<b>3. Scuttle vent seal</b>		BD9876	1
<b>4. Bonnet front buffer</b>		BD10224	2
<b>5. Bonnet rear buffer</b>		BD4951	2
<b>6. Bonnet rear seal</b>		BD4920/3	1
<b>7. Petrol flap buffer</b>		BD4321	4
<b>8. Wiper bezel gasket</b>		7769	2
<b>Washer jet gasket</b>		MP1002	pair
<b>9. Jacking point bung</b>		C4928	4
<b>10. Front quarter light seal</b>	RH	BD17049	1
	LH	BD17048	1
<b>11. Rear quarter light seal</b>	RH/LH	BD17072	2
<b>12. Windscreen seal</b>		BD26888	1
<b>13. Windscreen insert strip</b>		BD48847	1
<b>14. Rear screen seal</b>		BD25297	1
<b>15. Rear screen insert strip</b>		BD48847	1
<b>16. Door glass outer waist seal</b>			
Early models	felt type	BD20010/1	4
Late models	rubber type	BD46440/3	4
<b>Clip for BD20010/1 on outer</b>		BD22312	24
<b>Door glass inner waist seal</b>		BD20010/1	4



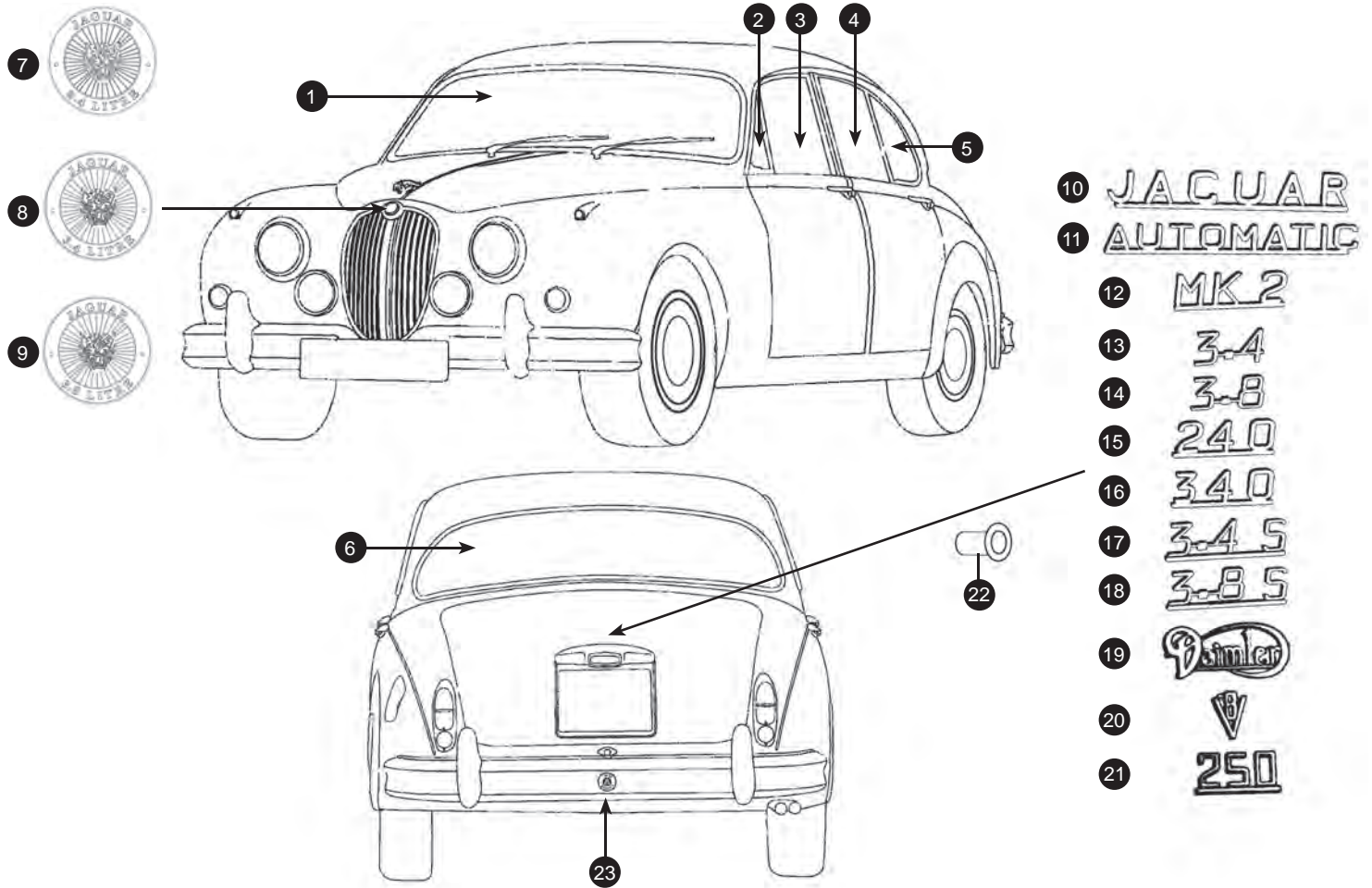
<b>17. Front indicator gasket</b>	MP1004	pair
<b>18. Front indicator lens gasket</b>	9257	2
<b>19. Tail lamp mtg gasket</b>	9292	pair
<b>20. Tail lamp lens gasket</b>	9288	pair
<b>21. Headlamp mounting gasket</b>	11577	2
<b>22. Headlamp dust excluder</b>	3446	2
<b>23. Reverse lamp housing seal</b>	RT209/19	1
<b>24. Overrider rubber set</b>	209K	2
<b>25. Boot lid buffer</b>	BEC14310	2
<b>26. Brake/clutch pedal rubber</b>	C8969	2
<b>27. Brake pedal rubber</b>	Automatic C6876	1
<b>28. Accelerator pedal rubber</b>	C11671	1
<b>29. Gearlever gaiter</b>	BD14134	1
<b>30. Dipswitch boot</b>	C22276	1
<b>31. Grommet set</b>	GK122	1
<b>32. Door bottom buffer</b>	BD4951	4
<b>Heater seal (not illustrated)</b>	BD23657	1





# BODY GLASS & BADGES

Buy on-line at [www.sngbarratt.com](http://www.sngbarratt.com)

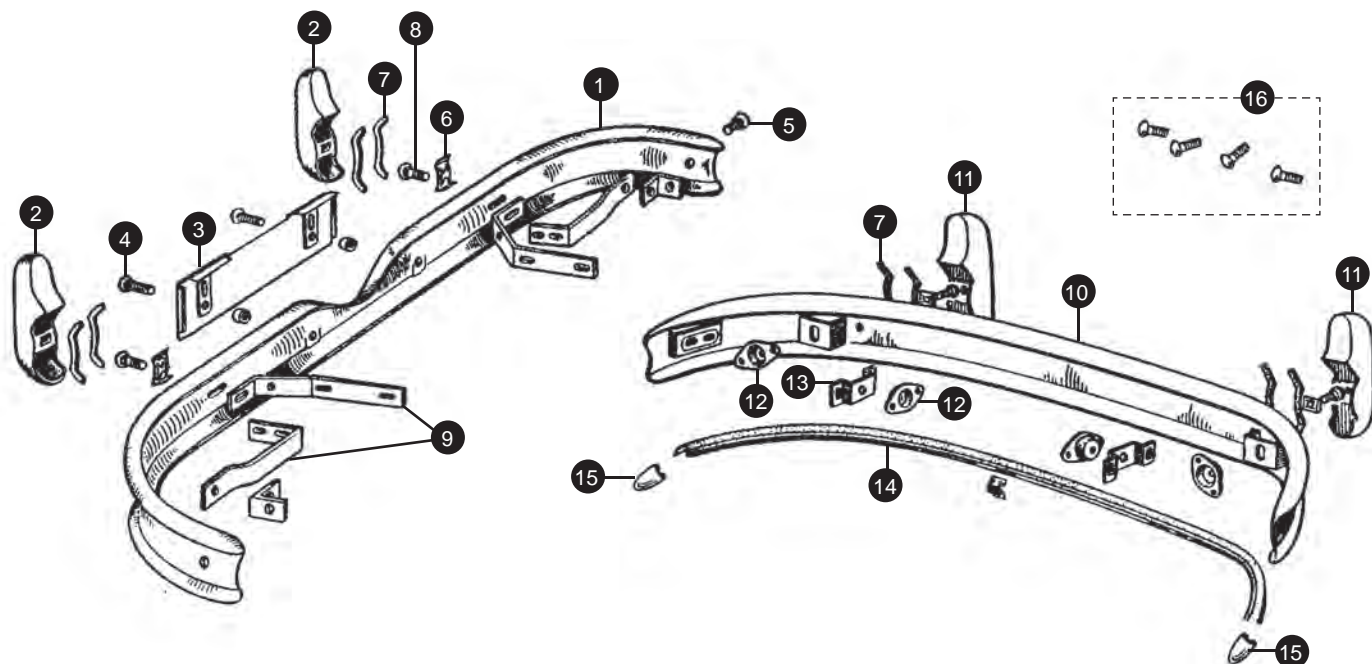


<b>1. Windscreen</b>	clear	BD29575	1	
	tinted	BD29575T	1	
<b>2. Front quarter light</b>	clear	BD17068	2	
	tinted	BD17068T	2	
<b>3. Front door glass</b>	clear	early	BD17055	2
		late	BD22580	2
	tinted	early	BD17055/1	2
		late	BD22580/1	2
<b>4. Rear door glass</b>	clear	early	BD17052	2
		late	BD22581	2
	tinted	early	BD17052/1	2
		late	BD22581/1	2
<b>5. Rear quarter light glass</b>	clear	BD17089	2	
	tinted	BD17089T	2	
<b>6. Rear heated screen (MK2/V8 only)</b>	clear	BD21942	1	
	tinted	BD22742	1	

<b>7. '2.4' grille badge</b>	BD11497	1
<b>8. '3.4' grille badge</b>	BD12448	1
<b>9. '3.8' grille badge</b>	BD17736	1
<b>10. 'Jaguar' emblem</b>	BD26762	1
<b>11. 'Automatic' emblem</b>	BD26763	1
<b>12. 'MK2' emblem</b>	BD27194	1
<b>13. '3.4' emblem</b>	BD27196	1
<b>14. '3.8' emblem</b>	BD27195	1
<b>15. '240' emblem</b>	BD32703	1
<b>16. '340' emblem</b>	BD31034	1
<b>17. '3.4S' emblem</b>	BD26764	1
<b>18. '3.8S' emblem</b>	BD26765	1
<b>19. 'Daimler' emblem</b>	BD24520	1
<b>20. 'V8' emblem</b>	BD24521	1
<b>21. '250' emblem</b>	BD32126	1
<b>22. Badge fixing</b>	BD25659	A/R
<b>23. 'Disc Brakes' bumper badge</b>	BD17737	1

# BUMPERS

Buy on-line at [www.sngbarratt.com](http://www.sngbarratt.com)



<b>1. Front bumper bar</b>			
MK2/V8 2.5		BD17172	1
240/340/V8 250/S-Type		BD23851	1
<b>2. Front override</b>			
MK2/V8 2.5	RH & LH	BD10985	2
240/340/V8 250/S-Type			
	RH	BD26636	1
	LH	BD26635	1
<b>3. Front number plate panel</b>			
MK2/V8 2.5		BD10982	1
240/340/V8 250/S-Type		BD30654	1
<b>4. Bolt</b>			
		BD9869	2
<b>5. Chrome bumper bolt</b>			
		BD9870	2
<b>6. Captive nut</b>			
		BD11006	4
<b>7. Override bead set</b>			
		209K	2
<b>8. Override nut, bolt &amp; washer</b>			
		BD10990	4
<b>9. Front bumper brackets</b>			
MK2/V8 2.5 complete set		SBS9042	1
240/340/V8 250/S-Type			
Inner	RH	BD23961	1
	LH	BD23960	1
Outer	RH	BD23963	1

<b>10. Rear bumper bar</b>			
MK2/V8 2.5	LH	BD23962	1
240/340/V8 250		BD17180	1
		BD30144	1
S-Type			
		BD25215	1
<b>11. Rear override</b>			
MK2/V8 2.5	RH	BD17186	1
	LH	BD17185	1
240/340/V8 250			
	RH	BD30145	1
	LH	BD30146	1
S-Type			
	RH	BD25274	1
	LH	BD25275	1
<b>12. Rear bumper rubber mounting</b>			
		BD9927	4
<b>13. Rear bumper mounting bracket</b>			
		BD9925	2
<b>14. Rear bumper rubber (MK2/V8 only)</b>			
		BD9949/1	1
<b>15. Rear bumper rubber chrome finisher (MK2/V8 only)</b>			
	RH	BD18081	1
	LH	BD18080	1
<b>16. Bumper bolt kits</b>			
Front	BBK11	Rear	SBS9031 1

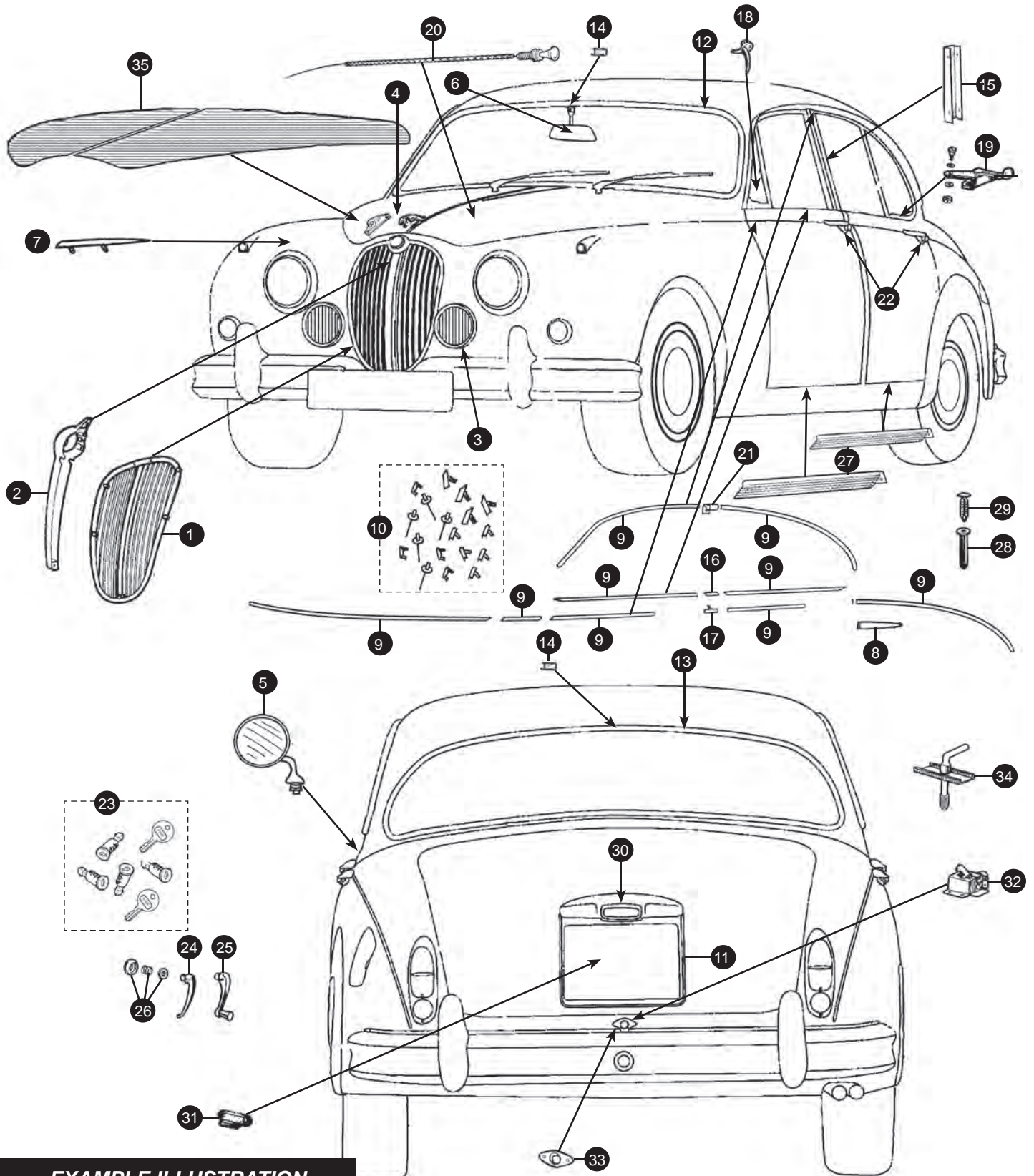






# BODY FITTINGS

Buy on-line at [www.sngbarratt.com](http://www.sngbarratt.com)



**EXAMPLE ILLUSTRATION**  
(MK2, V8 & S-Type listed in text)

**BODY FITTINGS**Buy on-line at [www.sngbarratt.com](http://www.sngbarratt.com)

<b>1. Radiator grille</b>			
MK2		BD17149	1
Daimler V8		BD24188	1
S-Type	Surround	BD27440	1
	Vanes	BD25552	1
<b>2. Radiator grille centre vane/badge boss</b>			
MK2		BD17145	1
S-Type		BD27436	1
<b>3. Horn grille</b>			
MK2/V8		BD17339	2
S-Type		BD26050	2
<b>4. Bonnet mascot</b>			
MK2		BD10954	1
Daimler V8		BD23927	1
S-Type		BD10954	1
<b>5. Wing mirror</b> round			
		C16114	2
<b>6. Interior rear view mirror</b>			
MK2		C20697	1
Daimler V8		C20697	1
S-Type		C20697	1
<b>7. Headlamp teardrop moulding</b>			
MK2/Daimler V8		BD9875	2
<b>8. Rear chrome spear</b>			
S-Type	RH	BD25577	1
	LH	BD25578	1
<b>9. Chrome moulding set</b>			
MK2	Standard	SBS1282	1
	Show quality	SBS1271	1
Will require BD25577/25578 to complete for S-Type. A full contents list of the above chrome moulding set is available separately upon request.			
<b>10. Chrome moulding clip set</b> SBS1271FK 1			
The original clips are no longer available so we use a circular headed pop rivet as an alternative. This is suitable for most cars from the 1960's with thin chrome body mouldings and can be ordered as required. SBS1271FK contains the following items which can be ordered separately if required:			
<b>Body moulding pop rivet</b>		BD26706/1	60
<b>Bonnet side chrome staple clip</b>		BAC5298	24
<b>Bonnet centre chrome retaining plate</b>		BD9848	10
<b>Number plate chrome staple clip</b>		BD10809	6
<b>Number plate chrome plastic T clip</b>		BD20887	6
<b>Number plate moulding T clip nut</b>		BD21040	6
<b>11. Rear number plate/boot moulding</b>			
MK2/Daimler V8		BD10764	1
S-Type		BD20886	2
<b>12. Front screen mouldings</b>			
	RH	BD16910	1
	LH	BD16909	1
<b>13. Rear screen mouldings</b>			
MK2/V8	RH	BD16994	1
	LH	BD16993	1
S-Type	RH	BD25304	1
	LH	BD25303	1
<b>14. Screen moulding joining clip</b>			
Front		BD5366/1	2

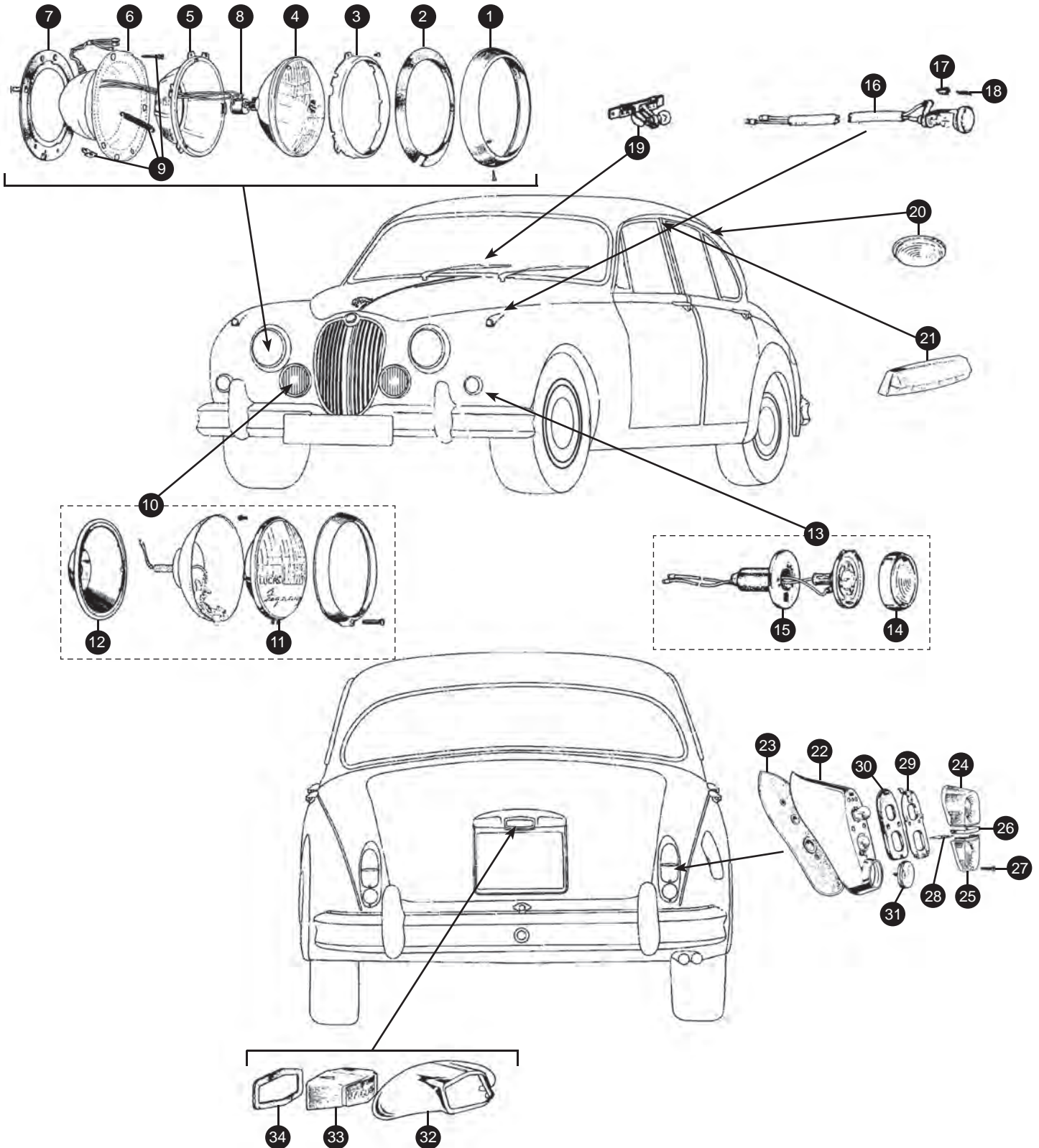
Rear	MK2/V8	BD5366/1	2		
	S-Type	BD19837	2		
<b>15. Chrome B post cover</b>					
	MK2/Daimler V8	BD16752	2		
	S-Type	BD25533	2		
<b>16. Upper B post moulding</b>					
	MK2/Daimler V8	BD17090	2		
<b>17. Lower B post moulding</b>					
		BD31273	2		
<b>18. Front quarter light catch</b>					
MK2	RH	BD17112	LH	BD17111	1
Daimler V8	RH	BD17112	LH	BD17111	1
S-Type	RH	BD24957	LH	BD24958	1
<b>19. Rear quarter light catch</b>					
All models	RH	BD20087	LH	BD20086	1
		Cover for rear quarter light catch		BD5434	2
		Shouldered bolt and nut		841	2
		Setscrew securing base to bracket		BD5454/3	2
<b>20. Bonnet release cable</b>					
				BD10221	1
<b>21. Gutter moulding joining clip</b>					
				BD17139	2
<b>22. Door handles</b>					
	LHF	BD16720	1		
	RHF	BD16721	1		
	LHR	BD16722	1		
	RHR	BD16723	1		
<b>23. Lock barrel set with matched keys</b>					
		Doors only		BF1070	1
		Doors, boot, ignition and glovebox		SBS1289	1
<b>Lock barrel retaining circlip</b>					
				8192	2
<b>24. Interior door handle</b>					
				BD10728	4
<b>25. Window winder handle</b>					
				BD10729	4
<b>26. Handle escutcheon</b>					
				BD10730/1/2	4
<b>27. Door tread plates</b>					
Original lattice aluminium	Front	BD14986	2		
	Rear	BD14988	2		
		Show quality polished alloy		SBS1033	set
<b>28. Carpet stud retaining socket</b>					
				SBS1039	A/R
<b>29. Carpet stud</b>					
				BD40871	A/R
<b>30. Rear number plate/reverse lamp housing</b>					
MK2		6711	1		
Daimler V8		10008	1		
S-Type		9272	1		
<b>31. Rear number plate buffer</b>					
		BD4951	4		
<b>32. Boot lock mechanism</b>					
MK2/Daimler V8		BD9888	1		
<b>33. Boot lock escutcheon</b>					
MK2/Daimler V8		BD11472	1		
<b>34. Spare wheel clamp</b>					
		BD11007	1		
<b>35. Door capping chrome screw &amp; cup washer set</b>					
		SBS9030	1		
<b>36. Bonnet Insulation kits</b>					
MK2/V8 with bulkhead/heater insulation in black vinyl covered fire retardant foam which requires special spray adhesive					
		SBS1450AA to fit correctly		SBS1450	1
<b>Aluminium reflective type (bonnet only)</b>					
MK2/V8/S-Type		U2121	1		





# MK2 & V8 LAMPS & LIGHTING

Buy on-line at [www.sngbarratt.com](http://www.sngbarratt.com)



# MK2/V8 LAMPS & LIGHTING

Buy on-line at [www.sngbarratt.com](http://www.sngbarratt.com)



<b>1. Headlamp rim</b>	6512	2
<b>2. Dust seal</b>	3446	2
<b>3. Retaining rim</b>	515218J	2
<b>4. Headlamp unit</b>		
<u>Standard sealed beam</u>		
RHD	JLM9602	2
LHD	JLM9604	2
<u>H4 halogen conversion kits - all you need to convert to H4</u>		
RHD	SBS9150	1
LHD	SBS9151	1
<b>5. Shroud</b>	27H6481	2
<b>6. Headlamp bowl</b>	54522342	2
<b>7. Headlamp gasket</b>	9303	2
<b>8. Wiring adaptor</b>		
Original round type	7764	2
Plastic type with pilot bulb holder	12980	2
<b>9. Headlamp adjuster kit</b>	BHM7058J	2
<b>10. Foglamp assembly</b>		
With clear bulb	C20735	2
With yellow bulb	C20735/4	2
<b>11. Foglamp unit</b>	57H5384	2
<b>12. Embellisher</b>	C15892	2
<b>Foglamp bulb</b>		
Clear	JLM260	2
<b>Foglamp wiring</b>	C20735/3	2
<b>13. Indicator lamp assembly</b>		
Amber	C15430	2
Clear	C15431	2
<b>14. Lens &amp; rim</b>		
Amber	5322	2
Clear	7667	2
<b>15. Rubber boot</b>	8059	2
<b>Indicator bulb</b>	DBC11382	2
<b>16. Sidelamp</b>	C14929	2
<b>17. Sidelamp red prism</b>	C4691	2
<b>18. Retaining clip</b>	C4098/2	2
<b>Sidelamp bulb</b>	JLM9587	2
<b>Sidelamp retaining screw</b>	C4549/3	2
<b>19. Map light</b>	C15486	1
<b>Bulb</b>	JLM9601	1
<b>20. Rear courtesy lamp</b>	C44322	2
<b>Rear courtesy lamp bulb</b>	GLB256	2
<b>21. Front courtesy lamp lens &amp; cover</b>	10184	2
<b>Bulb</b>	LNA5180AA	2
<b>22. Rear lamp chrome housing</b>		
RH	8087	1
LH	8085	1



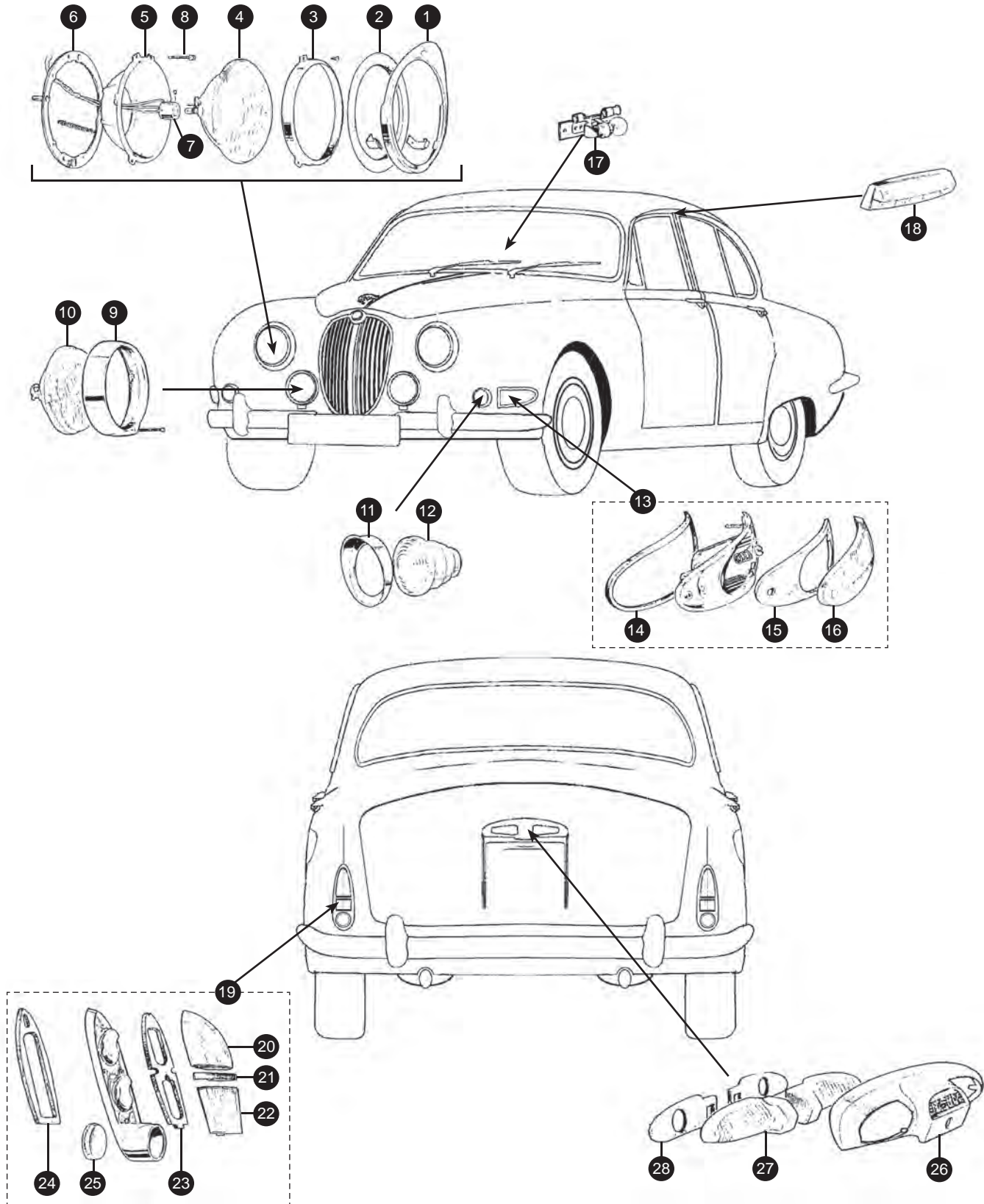
<b>23. Housing to wing gasket</b>	9721	2
<b>24. Indicator lens</b>		
Amber	8080	2
Red	8089	2
<b>Indicator bulb</b>	DBC11382	2
<b>25. Stop and tail lens</b>	8081	2
<b>Stop and tail bulb</b>	DBC11383	2
<b>26. Chrome clip</b>	8174	2
<b>27. Chrome screw</b>	8082	2
<b>28. Lens divider plate</b>	8174	2
<b>29. Lens retaining plate</b>	8287	2
<b>30. Lens to lamp gasket</b>	8083	2
<b>31. Rear reflector</b>	9291	2
<b>32. Number plate and reverse lamp chrome housing</b>		
Jaguar	6711	1
Daimler	10008	1
<b>33. Lens</b>		
Jaguar	3487	1
Daimler	9719	1
<b>34. Lens seating gasket</b>	3488	1
<b>Number plate bulb</b>	JLM9601	2
<b>Reverse lamp bulb</b>	DBC11382	1





# S-TYPE LAMPS & LIGHTING

Buy on-line at [www.sngbarratt.com](http://www.sngbarratt.com)



# S-TYPE LAMPS & LIGHTING

Buy on-line at [www.sngbarratt.com](http://www.sngbarratt.com)



<b>1. Headlamp rim</b>	BD25713	2
<b>2. Dust seal</b>	3446	2
<b>3. Retaining rim</b>	515218J	2
<b>4. Headlamp unit</b>		

Standard sealed beam

RHD	JLM9602	2
LHD	JLM9604	2

H4 halogen conversion kits - all you need to convert to H4

RHD	SBS9150	1
LHD	SBS9151	1

<b>5. Shroud</b>	27H6481	2
<b>6. Headlamp gasket</b>	9303	2
<b>7. Wiring adaptor</b>		
Original round type	7764	2
Plastic type with pilot bulb holder	12980	2

<b>8. Headlamp adjuster kit</b>	BHM7058J	2
---------------------------------	----------	---

<b>9. Foglamp rim</b>	10211	2
<b>10. Foglamp assembly</b>	C21731	2
<b>Foglamp bulb</b>	JLM260	2

<b>11. Sidelamp</b>	C21538	2
<b>12. Sidelamp rim</b>	C18194	2
<b>Sidelamp bulb</b>	JLM9601	2

**13. Indicator lamp**

Amber	RH	C33942	1
	LH	C33943	1
Clear	RH	C21536	1
	LH	C21537	1

<b>14. Indicator lamp gasket</b>	MP1004	pair
----------------------------------	--------	------

**15. Indicator lens gasket**

RH	9257	1
LH	11619	1

**16. Indicator lens**

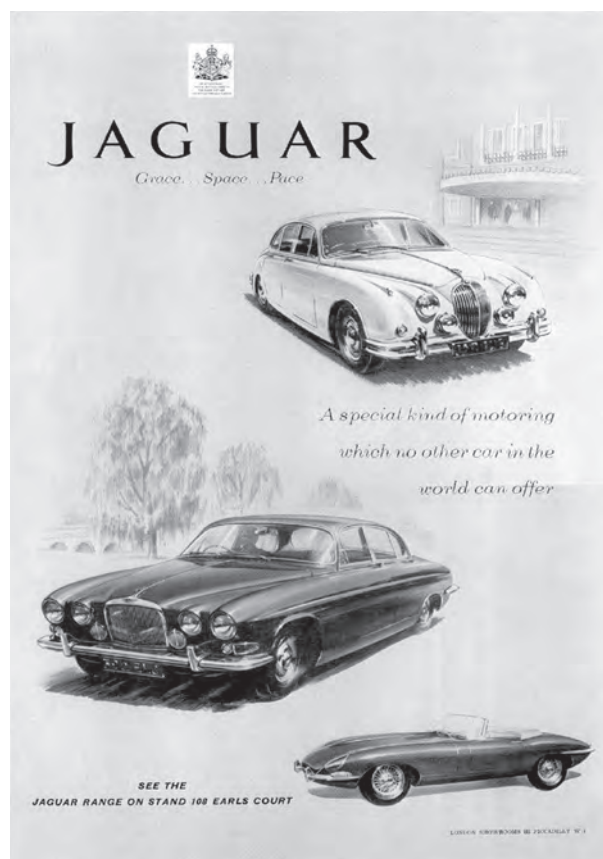
Amber	RH	9255	1
	LH	9260	1
Clear	RH	9262	1
	LH	9263	1

<b>Indicator lamp bulb</b>	DBC11382	2
----------------------------	----------	---

<b>17. Map light</b>	C15486	1
<b>Bulb</b>	JLM9601	1

<b>18. Courtesy lamp lens &amp; cover</b>	10184	3
<b>Bulb</b>	LNA5180AA	3

<b>19. Rear lamp</b>			
Red/amber	RH	C33930	1
	LH	C33931	1



Red/red	RH	C17186	1
	LH	C17187	1

**20. Indicator lens**

Amber	12784	2
Red	9293	2
<b>Indicator lamp bulb</b>	DBC11382	2

<b>21. Dividing shield</b>	9284	2
<b>22. Stop and tail lens</b>	12785	2
<b>Stop and tail bulb</b>	DBC11383	2

<b>23. Lens to lamp gasket</b>	9288	2
<b>24. Lamp to wing gasket</b>	9292	2
<b>25. Rear reflector</b>	9291	2

<b>26. Number plate and reverse lamp chrome housing</b>	9272	1
---	------	---

<b>27. Reverse lamp lens</b>			
	RH	9273	1
	LH	9274	1

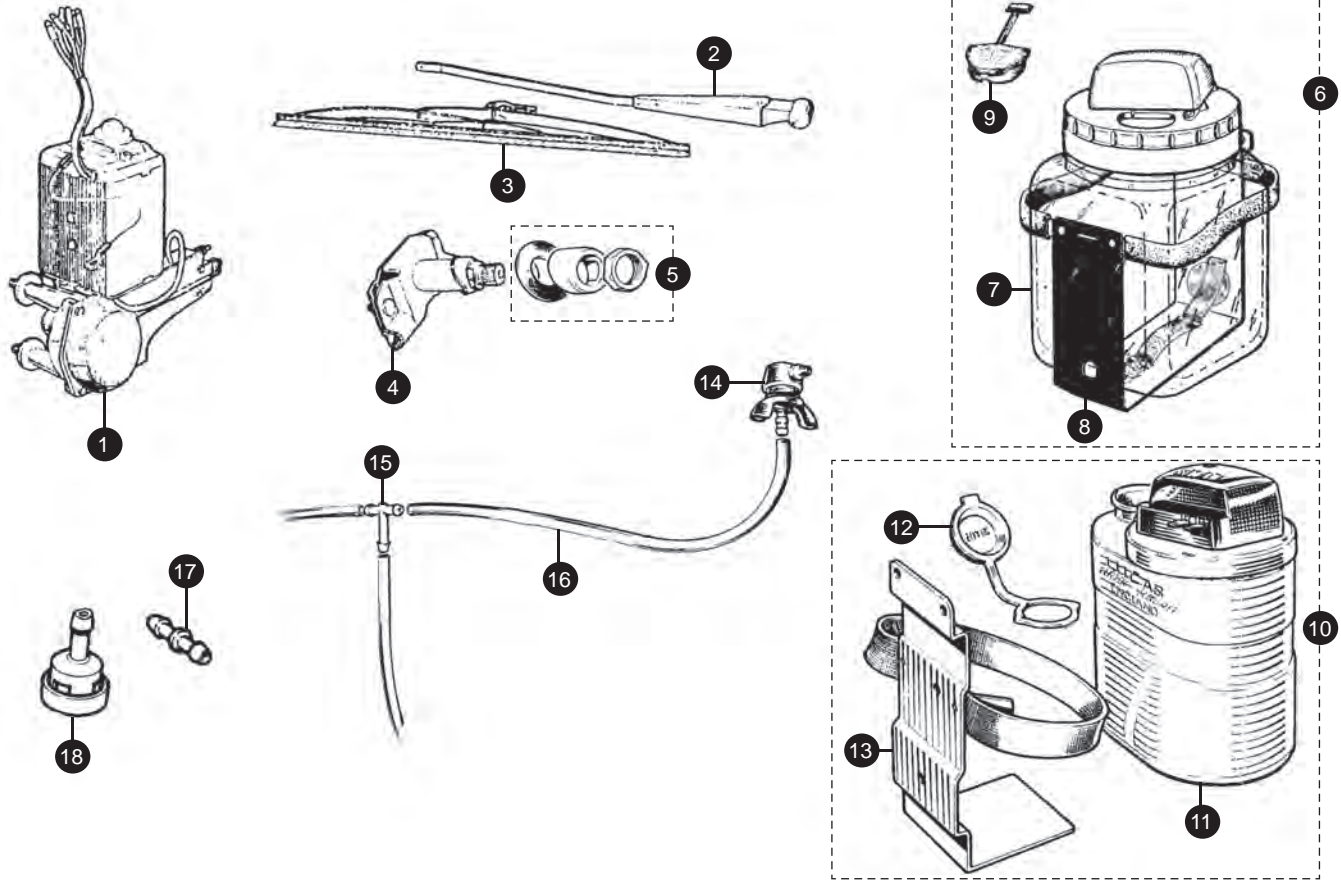
<b>28. Reverse lamp lens gasket</b>	9275	2
<b>Reverse lamp bulb</b>	DBC11382	2
<b>Number plate lamp bulb</b>	JLM9601	1





# WASH WIPE COMPONENTS

Buy on-line at [www.sngbarratt.com](http://www.sngbarratt.com)

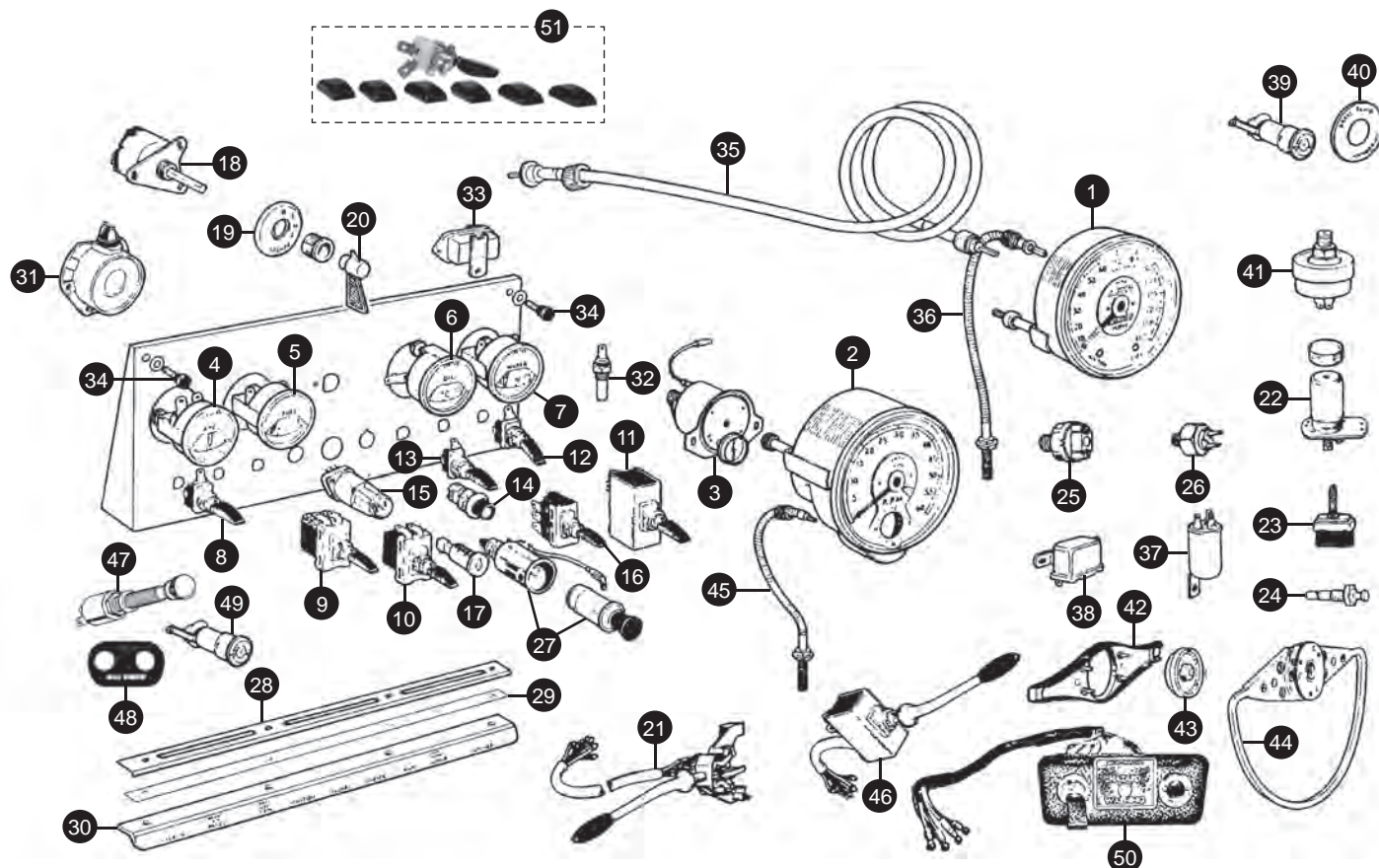


<b>1. Wiper Motor</b>	RHD	C13503	1
	LHD	C13504	1
<b>2. Wiper arm</b>			
RHD		10079	2
LHD		10080	2
<b>3. Wiper blade</b>		8183	2
<b>4. Wiper wheel box</b>			
All models		C40090	2
<b>5. Wiper wheel box bezel kit</b>			
Includes bezel, gasket and nut		7767K	2
<b>6. Washer bottle assembly</b>			
Earlier glass type		C17004	1
Lid & motor only		C17004LID/MO	1
<b>7. Glass washer bottle</b>		8040	1
<b>8. Washer bottle bracket</b>		8041	1
<b>9. Rubber filler cap</b>		8038	1

<b>10. Washer bottle assembly</b>			
Later plastic type		C25438	1
<b>11. Plastic washer bottle</b>		JLM9643	1
<b>12. Washer filler cap</b>		11085	1
<b>13. Washer bottle bracket</b>		514223A	1
<b>14. Washer jet</b>		C15645	2
<b>15. Three way joiner 'T' piece</b>		C15644	1
<b>16. Washer tubing (sold by the metre)</b>			
Clear		SBS9900	A/R
Green		SBS9901	A/R
<b>17. Washer tube connector</b>		C33835	A/R
<b>18. Washer tube foot valve</b>		GWW506	1

# DASHBOARD, SWITCHES & GAUGES

Buy on-line at [www.sngbarratt.com](http://www.sngbarratt.com)



**1. Speedometer\*** RB1001 1

**2. Tachometer\*** RB1002 1

\*Reconditioning service only. Simply tag your speedometer, tachometer or gauge before you send it to us. This will ensure that you receive your own unit in return and that it cannot be mislaid. Use a tie on label and include the following details.

Your name - Your customer number (if you have one!) - Your telephone number - The exact model of your car - Any special instructions i.e. retain indicated mileage, etc.

**3. Time clock**  
Suitable for positive and negative earth 10488R 1

**4. Ammeter**  
Daimler V8 2.5 C40 dynamo C25678 1  
Daimler V8 250 11AC alternator C27309 1  
MK2/S-Type C45/C42 dynamo C20803 1  
MK2/S-Type C48 dynamo C18190 1

**5. Fuel gauge**  
MK2/V8 C15475 1  
S-Type C21972 1

**6. Oil pressure gauge**  
All models C18641 1

**7. Water temperature gauge**  
MK2/S-Type C18640 1  
340 late/V8 250 late C29876 1

**8. Interior light switch**  
MK2/V8 C15760 1  
S-Type C15589 1

**9. Panel light switch** C15455 1

**10. Heater fan switch** C15589 1

**11. Windscreen wiper switch** C15456 1

**12. Windscreen washer switch** C15759 1

**13. Map light switch** C15760 1

**14. Starter button** C15453 1

**15. Ignition switch**  
MK2/V8 2.5/S-Type with dynamo C15454 1  
V8 250 with alternator C22258 1

**16. Fuel tank changeover switch**  
S-Type C17191 1

**17. Ignition switch barrel** BD10610 1

**18. Lighting switch**  
With foglamps C20246 1  
Without foglamps C18188 1

**19. Lighting switch escutcheon**  
With foglamps C15447 1  
Without foglamps C15449 1

**20. Lighting switch lever** C27065 1



UK - Bridgnorth  
+44 (0) 1746 765 432  
[sales.uk@sngbarratt.com](mailto:sales.uk@sngbarratt.com)



USA - Manchester NH  
+1 800 452 4787 (toll free)  
[sales.usa@sngbarratt.com](mailto:sales.usa@sngbarratt.com)



FRANCE - Charney les Macon  
+33 (0) 3 85 20 14 20  
[sales.fr@sngbarratt.com](mailto:sales.fr@sngbarratt.com)



HOLLAND - Oisterwijk  
+31 (0) 13 52 11 552  
[sales.nl@sngbarratt.com](mailto:sales.nl@sngbarratt.com)





# DASHBOARD, SWITCHES & GAUGES

Buy on-line at [www.sngbarratt.com](http://www.sngbarratt.com)

<b>21. Early indicator switch</b>	C25255	1
MK2 2.4 to chassis no. 118537 & 127710		
MK2 3.4 to chassis no. 170118 & 180309		
MK2 3.8 to chassis no. 234714 & 224274		
S-Type 3.4 to chassis no. 1B6091 & 1B25787		
S-Type 3.8 to chassis no. 1B56871 & 1B78908		
<b>Late indicator switch</b>	C25555	1
MK2 2.4 from chassis no. 118538 & 127711		
MK2 3.4 from chassis no. 170119 & 180310		
MK2 3.8 from chassis no. 234715 & 224275		
S-Type 3.4 from chassis no. 1B6092 & 1B25788		
S-Type 3.8 from chassis no. 1B56872 & 1B78909		
<b>Chrome lever &amp; knob only</b>	C25555K	1
<b>22. Headlamp dipswitch</b>		
MK2/V8 2.5	C2639	1
240/340/V8 250/S-Type	RTC432J	1
<b>Rubber cap (for C2639 only)</b>	C22276	1
<b>23. Handbrake/choke warning light switch</b>		
All models	C16660	1
<b>24. Courtesy light switch</b>		
Front and rear	C9653	4
<b>25. Reverse light switch</b>	DAC3844	1
<b>26. Brake warning light switch</b>	C16062	1
<b>27. Cigar lighter</b>	C18638	1
<b>28. Indicator strip finisher</b>	C15916	1
<b>29. Indicator strip green light filter</b>	C25937	1
<b>30. Indicator strip</b>		
MK2/V8	RHD C15609	1
	LHD C15610	1
S-Type	RHD C22038	1
	LHD C22039	1
<b>31. Rev counter generator</b>	C14996	1
<b>Rev counter generator O'ring</b>	C14990	1
<b>32. Water temperature sender</b>	C15472	1
<b>33. Voltage stabiliser</b>	148876J	1
<b>34. Thumbscrew</b>		
MK2/V8	C15785	2
S-Type	C19469	2
<b>35. Speedometer cable</b>		
<u>MK2 manual O/D</u>		
RHD	early 78"	C16332 1
	late 68"	C25403 1
LHD	early 96"	C15932 1
	late 106"	C26432 1
<u>MK2 automatic</u>		
RHD		
early DG gearbox 78" metal cone end	C15933	1
later BW35 gearbox 66" plain screw end	C15929	1

## 35. Speedometer cable (continued)

LHD			
early DG gearbox 60" metal cone end	C15934	1	
later BW35 gearbox 84" plain screw end	C15930	1	
<u>Daimler V8 manual O/D</u>			
RHD	78"	C16332	1
LHD	106"	C26432	1

## Daimler V8 automatic

RHD	66"	C15929	1
LHD	84"	C15930	1

## S-Type manual O/D

RHD	early 78"	C16332	1
	late 68"	C25403	1
LHD	early 96"	C15932	1
	late 76"	C25696	1

## S-Type automatic

RHD			
Early DG gearbox 78" metal cone end	C15933	1	
Later BW35 gearbox 66" plain screw end	C15929	1	

LHD			
Early DG gearbox 60" metal cone end	C15934	1	
Later 78" plain screw end	C15933	1	

<b>36. Speedometer trip cable</b>	C26162	1
-----------------------------------	--------	---

## 37. Indicator flasher unit

Screw terminals	C5230	1
Spade terminals	C16063	1

<b>38. Horn relay</b>	C17338	1
-----------------------	--------	---

<b>39. Brake fluid/handbrake warning light</b>	38726	1
--	-------	---

<b>40. Brake fluid warning light escutcheon</b>	C19637	1
---	--------	---

<b>41. Oil pressure sender unit</b>	C15474	1
-------------------------------------	--------	---

<b>42. Horn push cover*</b>	C22271	1
-----------------------------	--------	---

<b>43. Horn push badge*</b>	C22272	1
-----------------------------	--------	---

(\*Only later type is available but can be used to replace early type if both cover and badge are fitted.)

<b>44. Horn ring</b>	C18979	1
----------------------	--------	---

<b>45. Time clock reset cable</b>	C15287	1
-----------------------------------	--------	---

<b>46. Overdrive switch</b>	C23391	1
-----------------------------	--------	---

<b>47. Heated rear window switch</b>	C2744	1
--------------------------------------	-------	---

<b>48. Heated rear window switch bezel</b>	C25883	1
--	--------	---

<b>49. Heated rear window warning light</b>	C26467	1
---	--------	---

<b>50. Hazard warning light switch panel</b>	C26344	1
--	--------	---

<b>51. Toggle switch knob set</b>	TSK1	1
-----------------------------------	------	---

# WIRING LOOMS

Buy on-line at [www.sngbarratt.com](http://www.sngbarratt.com)



## MK2 3.4/3.8

### Main harness

RHD/LHD manual with O/D cotton	C15459	1
RHD/LHD manual with O/D PVC	JL163	1
RHD/LHD automatic cotton	JL172	1
RHD/LHD automatic PVC	JL173	1

Boot lid	C15668	1
Body RH	C15460	1
Body LH	C15461	1
Centre console with warning lights & glovebox	C15790	1

Overdrive	JL174	1
Interior lights	JL216	1
Foglamp, sidelamp & indicators	JL217	1
Alternator harness (where fitted)	JL175	1

## 240/340

### Main harness

RHD/LHD manual with O/D cotton	JL164	1
RHD/LHD manual with O/D PVC	JL165	1
RHD/LHD automatic cotton	JL176	1
RHD/LHD automatic PVC	JL177	1

### All other looms as per MK2

## Daimler V8

### Main harness

RHD/LHD manual/auto with dynamo	C28363	1
RHD/LHD manual/auto with alternator	C28362	1

Automatic gearbox	JL179	1
-------------------	-------	---

### All other looms as per MK2

## S-Type

### Main harness

RHD manual & automatic	JL211	1
LHD manual & automatic	JL221	1

RHD manual dash harness	JL212	1
RHD auto dash harness	JL232	1
LHD manual dash harness	JL222	1
LHD auto dash harness	JL242	1

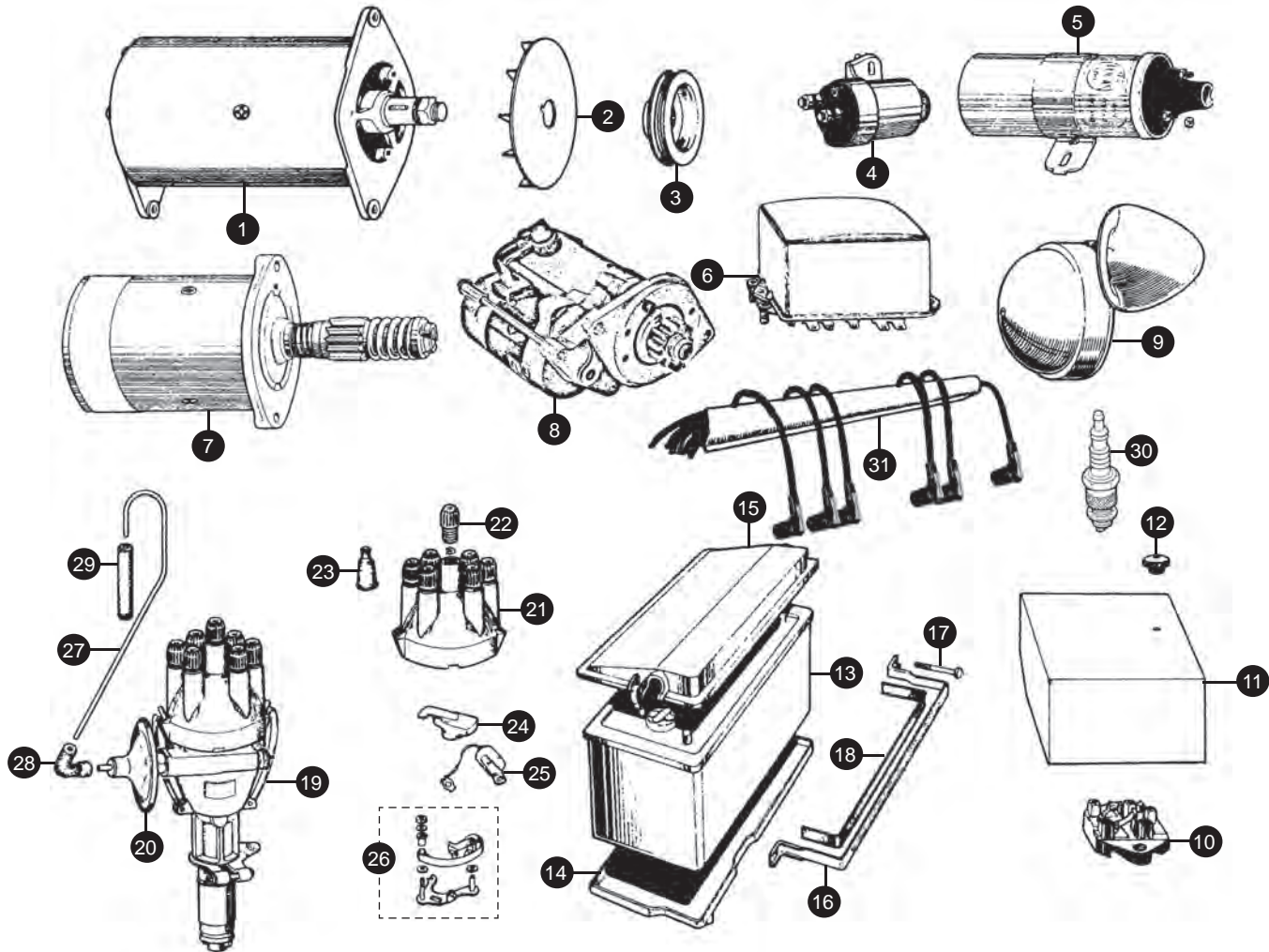
Centre console with warning lights & glovebox	JL213	1
---	-------	---

Boot lid	JL218	1
Body RH	JL215	1
Body LH	JL214	1
Interior lights	JL216	1
Foglamp, sidelamp & indicators	JL217	1

### Miscellaneous Harness Fittings, Leads & Connectors.

Female connectors	single	3586	A/R
	twin	CWB301	A/R
5 way connector		3570	1
	strap	C2796	1
10 way connector		3582	1
	strap	C2797	1
Male bullet ends (pkt 20)		CWB320	A/R
Sleeve terminal (pkt 10)		EL1018	A/R
Earth clip		EL1035	A/R





### 1. Dynamo/alternator

#### MK2 dynamo

C45	22528 PAS	C15254R	1
C45	22496 Non PAS	C15255R	1
C48	22803 High output	C16461R	1
C42	22906 PAS	C16930R	1
C42	22902 Non PAS	C18286E	1
C48	22804 High output	C18488	1

#### S-Type dynamo

C42	22906 PAS	C16930R	1
C42	22902 Non PAS	C18286E	1
C48	22804 High Output	C18488R	1

#### Daimler V8

Dynamo C40	22716 All models	C20626	1
Alternator	All models	C25073E	1

### 2. Dynamo/alternator fan

MK2/S-Type dynamo		C7428	1
Daimler V8 dynamo		C21605	1
Daimler V8 alternator		605410J	1

### 3. Dynamo pulley

MK2/S-Type dynamo	single V belt	C14590	1
MK2/S-Type dynamo	double V belt	C19520	1
Daimler V8 dynamo		C20912	1
Daimler V8 alternator		C27447	1
<b>4. Starter solenoid</b>		C19468	1

### 5. Ignition coil

screw in	C8749	1
push in	C30120	1

### 6. Voltage control unit

MK2/S-Type/Daimler V8 2.5 (dynamo)			
RB340	25 amp	NCB131	1
	30 amp	C18287	1

Daimler V8 250 (alternator)	C22253	1
-----------------------------	--------	---

### 7. Standard starter motor

<b>MK2/S-Type</b>			
Manual	standard	C12679E	1
Manual	modern high torque	USM002	1
Automatic		C10980R	1

#### Daimler V8

Manual		C8786R	1
Automatic		C8786R	1

### 8. Up-rated starter motor

Utilising modern technology and offering 200% more cranking power, lightweight and compact and uses far less current than conventional starters.

USM002	1
--------	---

### 9. Horn

Early	high tone	C5226R	1
	low tone	C5227	1

# GENERAL ELECTRICS

Buy on-line at [www.sngbarratt.com](http://www.sngbarratt.com)



Late	high tone	C19081	1
	low tone	C19080	1
<b>10. Fusebox</b>			
MK2/Daimler V8		C16510	1
S-Type		C16053	1
<b>11. Fusebox cover</b>			
All models	small type	C12366	1
	large type	C20687	1
<b>12. Fusebox cover nut</b>			
<b>13. Rubber battery</b>			
	all models	BATT242R	1
<b>14. Battery tray</b>			
	all models	C26782	1
<b>15. Battery cover</b>			
	all models	C14346	1
<b>16. Battery fixing bracket</b>			
	all models	C10186	1
<b>17. Battery bracket bolt</b>			
	all models	C10187	2
<b>18. Battery bracket rubber</b>			
	all models	C10188/1	1
<b>19. Distributor assembly</b>			
MK2	(DMBZ type)	C14269R	1
MK2/S-Type	(22D6 type)	C25285R	1
Daimler V8		136104R	1
<b>20. Distributor vacuum unit</b>			
MK2	(DMBZ type)	7983	1
MK2/S-Type	(22D6)	9969	1
Daimler V8		54424997	1
<b>21. Distributor cap</b>			
MK2	(DMBZ type)	6478	1
MK2/S-Type	(22D6)	JLM9523	1
MK2 240	(side entry)	11573	1
Daimler V8		DDB118	1

<b>22. HT lead acorn</b>		C11906	7/9
<b>Copper washer</b>		C5452	7/9
<b>Kit of 7 acorns and washers for 6cyl</b>		SBS1010-B	1
<b>23. HT lead acorn rubber cover</b>		C2607	7
<b>24. Rotor arm</b>		JLM263	1
MK2/S-Type (bonded not rivetted!)		DRB112C	1
V8			
<b>25. Condenser</b>			
MK2/S-Type		JLM9656	1
V8		136104/3	1
<b>26. Contact set</b>			
MK2	(DMBZ type)	C11990	1
MK2/S-Type	(22D6)	JLM9520	1
Daimler V8		DSB110C	2
<b>27. Vacuum advance pipe</b>			
		37H4229M	1
<b>28. Rubber tube connector</b>			
		C14212	1
<b>29. Rubber elbow connector</b>			
		C21573	1
<b>30. Spark plug</b>			
MK2 2.4/240		N5C	6
MK2/S-Type 3.4/3.8		EAC8916	6
Daimler V8		N5C	8
<b>31. HT lead set</b>			
MK2/S-Type		SBS1010	1
MK2/S-Type push in silicone lead set*		JLM332S	1
*Requires additional fitment of JLM9524 push in cap and C30120 push in coil			
V8		432659/2	1
V8 spark plug extensions		432665	8

# OILS, FLUIDS & CONSUMABLES

Buy on-line at [www.sngbarratt.com](http://www.sngbarratt.com)



Oil 20W/50	gallon	MOR001
Oil 20W/50	1 litre	MOR002
Oil 15W/50	5 litre	MOR004
Oil 15W/50	1 litre	MOR005
Oil 10W/40	semi synthetic - 5 litre	MOR007
Oil 10W/40	semi synthetic - 1 litre	MOR008
Oil 5W/30	semi synthetic - 5 litre	MOR010
Oil 5W/30	semi synthetic - 1 litre	MOR011
Running in oil	5 litre	MOR013
Dextron 2 ATF	5 litre	MOR014
Dextron 2 ATF	1 litre	MOR015
EP80/90	gear oil - 5 litre	MOR020
EP80/90	gear oil - 1 litre	MOR021
LSD	gear oil - 5 litre	MOR022
Oil 10W/50	comp semi synthetic	MOR023
Mineral oil	1 litre	MOR025
Brake fluid	Dot 4 - 1 litre	MOR027
Brake fluid	Dot 4 - 500ML	MOR028
Carb cleaning spray		MOR029
MD4	maintenance spray	MOR030

Pavan	degreaser	MOR031
Prima	silicone spray	MOR032
Prise	anti seize spray	MOR033
Solvent brake cleaner		MOR034
LM grease	500gm tin	MOR035
Copper slip	500gm tin	MOR036
Liquimatic ATF	5 litres	MOR045
Rubber Grease	500gm tin	RUBBERGREASE



We stock a full range of quality Morris Lubricants (blending oils in Shrewsbury since 1869) that are entirely suitable for both the classic and current Jaguar range.





# ELECTRONIC IGNITION CONVERSION KITS

Buy on-line at [www.sngbarratt.com](http://www.sngbarratt.com)

The constant changing of points and condensers on any Jaguar or Daimler is both inconvenient and time consuming. The later Jaguars all feature electronic ignition which comes with the obvious advantages of greater reliability, economy and maintenance free motoring. The kits we provide are all produced by leading manufacturers and are built to out last many of the cheaper kits that are available from many of our competitors! They are fairly easy to fit and require no further adjustment once they are in situ, so fit one and forget it!



## Ignitor Electronic Ignition Kits

A solid-state electronic system... never change points again!

Test results show the Ignitor delivers twice the voltage to the spark plugs, increasing horsepower, fuel economy and plug life.

A 2:1 improvement over point type systems in current fall time for increased coil output.

System is designed for use with most point-type coils.

Rotating cobalt magnets, mounted on the distributor shaft, trigger an electronic switching module (Hall effect integrated circuit) ...no points to burn, pit and corrode ...no moving and rubbing parts to wear out.

Electronics are molded in epoxy, eliminating deterioration from dirt, oil, grease or moisture (better foul weather performance).

Fits entirely inside the distributor, no 'black box' to clutter your engine compartment. Stable timing... no need for any further adjustments.

No complicated wiring makes installations easy.

### MK2 early DMBZ distributor type

Positive earth	XKDMBZ/P
Negative earth	XKDMBZ

### MK2 & S-Type later 22D6 distributor type

Positive earth	XK22D/P
Negative earth	XK22D



## Magnetronic Electronic Ignition Kits

Easier starting - Overcomes distributor wear - Increased fuel economy - Maintenance free - No permanent modification required - Fits within the distributor cap - Die cast aluminium module - OEM quality components

### MK2 early DMBZ distributor type

Fitting kit FK124	Power unit PMA50
-------------------	------------------

### MK2 & S-Type later 22D6 distributor type

Standard system	Fitting kit FK116	Power unit PMA50
Magnetronic system (negative earth only)	MTK005	

### Daimler V8

Fitting kit FK123	Power unit PMA50
-------------------	------------------



## 123 Ignition System

Available for Jaguars with six cylinder XK engines. This system replaces most 6 cyl. distributors that were used in 3.4, 3.8 litre and 4.2 litre 'XK' engines.

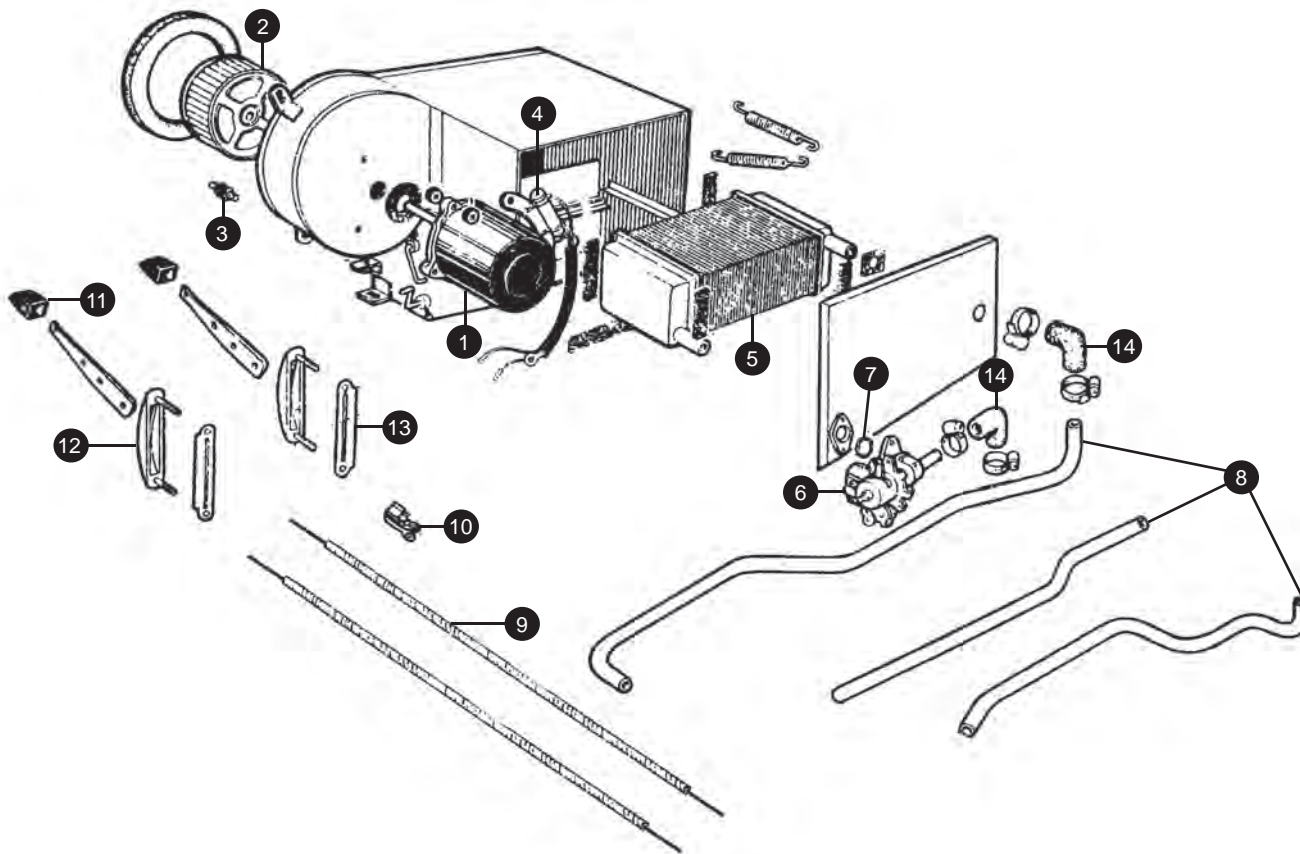
The unit offers 16 different advance-curves, that can be easily selected to your requirement. This is a great feature for easy fine-tuning your engine!

<b>Positive earth</b>	123IGN-POS
<b>Negative earth</b>	123IGN
<b>Spare rotor arm</b>	123IGN/RA

N.B. For maximum efficiency 123 recommend the additional fitment of a silicone HT lead set. **Part number:** JLM332S

# MK2 & V8 HEATING SYSTEM

Buy on-line at [www.sngbarratt.com](http://www.sngbarratt.com)



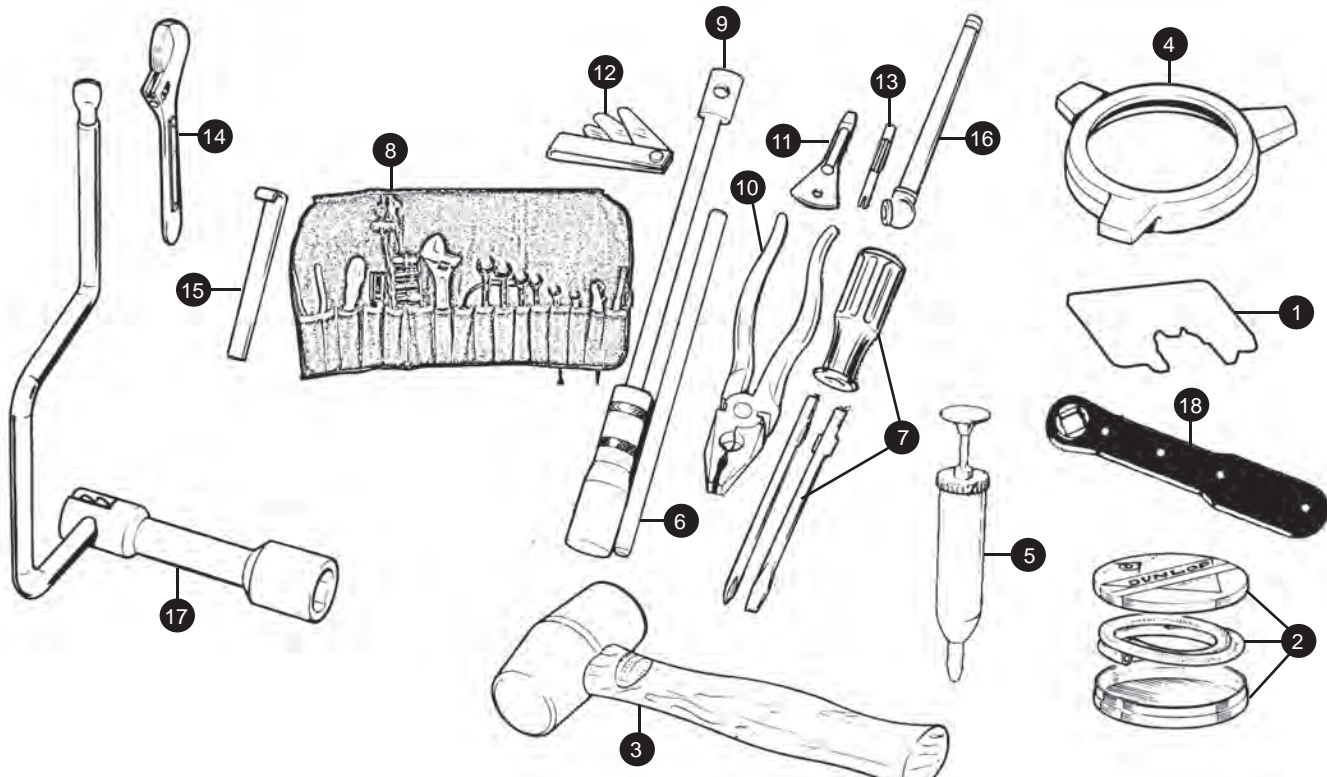
1. Heater fan motor	C15711	1
2. Heater fan	C15591	1
3. Heater mounting	C24792	3
4. Heater fan motor resistor	C33391	1
5. Heater matrix	C15513	1
6. Heater valve	C16559	1
7. Heater valve seal	C9928	1
8. Heater water pipe kit		
2.4/240	HTP8SS	1
3.4/3.8	SBS9226	1
S-Type	HTP7SS	1
Daimler V8	HTP6SS	1
9. Heater control cable	C21373	2
10. Cable attachment clip	C13824	2
12. Heater control lever knob	C15719	2
13. Heater indicator plate		
Hot/Cold	BD11445	1
Car/Screen	C15594	1
14. Heater elbow hose*	C16655	2

\*Included in full hose kits on page 35

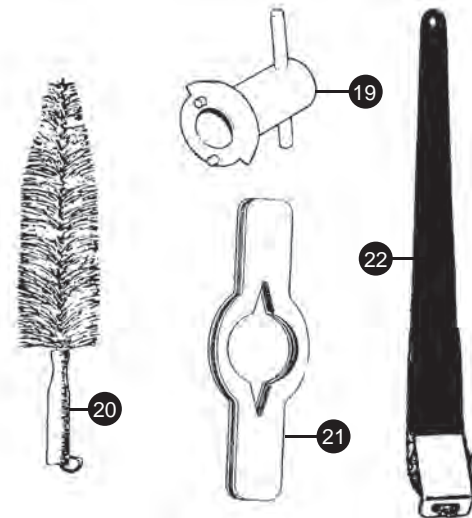
### S-Type Heater System

Unfortunately very little is available for the S-Type heater. Occasionally however we purchase batches of old stock that appear from time to time, so please feel free to contact us with your requirements.





<b>1. Cam gauge</b> MK2/S-Type only	C3993	1
<b>2. Dunlop bleeder tube tin</b>	C13620	1
<b>3. Copper hide Mallet 'THOR' type</b>	C992	1
<b>4. Spinner removal tool</b> Cars with 3 eared spinners only	C28687	1
<b>5. Grease/oil gun</b>	C13269	1
<b>6. Tommy bar</b>	C2896	1
<b>7. Screwdriver</b>	C20482	1
<b>8. Universal Imperial tool roll set</b> Set of good quality emergency tools in a green canvas roll	SBS1082	1
<b>9. Spark plug box spanner</b>	C10155	1
<b>10. Pliers</b>	C996	1
<b>11. Distributor screwdriver</b>	C5444	1
<b>12. Feeler gauge</b>	C5587	1
<b>13. Tyre valve key</b>	C993BRASS	1
<b>14. Adustable spanner</b>	C4651	1
<b>15. Hub cap removal tool</b> Cars with pressed steel wheels only	C26864	1
<b>16. Tyre pressure gauge</b>	C11753/W	1
<b>17. Wheel nut brace</b> Cars with pressed steel wheels only	BDC9205	1
<b>18. Jacking ratchet</b>	C27873	1



<b>19. Timing chain adjuster tool</b>	SBS1265	1
Adjusting the timing chains on any 6 cylinder Jaguar engine has always been a tedious job. Now SNG Barratt can now provide you with a 'budget priced' alternative to the tool that the garages and restorers use.		
<b>20. Wire wheel cleaning brush</b>	SBS9200	1
<b>21. Wooden spinner saver</b>	SBS9306	1
Used to tighten or remove 2 eared spinners. Fits over the spinner allowing you to hit the saver instead of your spinners!		
<b>22. Extending spinner removal tool</b>	AC1016	1
Allows you to remove two eared spinners using leverage rather than brute force and temper!		
<b>Storage pouch</b>	AC1016P	1

# MOTIFS & DECALS

Buy on-line at [www.sngbarratt.com](http://www.sngbarratt.com)



MK2/V8/S-Type with fogs C15447  
MK2/V8/S-Type without fogs C15449



C19637



Red running-in sticker with instructions on reverse RIS001R

SBS1021



UK tax disc holder BD24427



UK tax disc holder BD21181

JAGUAR CARS LTD. COVENTRY, ENGLAND.							
CAR No. _____		ENGINE No. _____		GEAR BOX No. _____		BODY No. _____	
RECOMMENDED LUBRICANTS							
SEASON	MOBIL	CASTROL	SHELL	ESSO	B.P.	DUCKHAM	REGENT
SUMMER	Mobilgard 4	Castrol XE	Shell A 100	Esso Extra 100	B.P. 100	Duckham 100	Regent 100
WINTER	Mobilgard 5W/40	Castrol XE	Shell A 100	Esso Extra 100	B.P. 100	Duckham 100	Regent 100
TECHNICAL	Mobilgard 4	Castrol XE	Shell A 100	Esso Extra 100	B.P. 100	Duckham 100	Regent 100
CLAY ROD	Mobilgard 4	Castrol XE	Shell A 100	Esso Extra 100	B.P. 100	Duckham 100	Regent 100
REAR AXLE	Mobilgard 4	Castrol XE	Shell A 100	Esso Extra 100	B.P. 100	Duckham 100	Regent 100
STEERING ROD	Mobilgard 4	Castrol XE	Shell A 100	Esso Extra 100	B.P. 100	Duckham 100	Regent 100
WHEEL HUBS	Mobilgard 4	Castrol XE	Shell A 100	Esso Extra 100	B.P. 100	Duckham 100	Regent 100
VALVE CLEARANCE (COLD) INLET _____ INS. EXHAUST _____ INS.							

MK2 CP365

Daimler V8 CP337

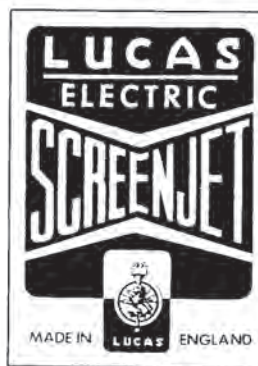
S-Type ID0084



ID0007



ID0006 to 1964 ID0089 1965-1971



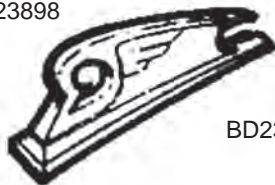
DCL1004



C23898



ID0042



BD23927



7" BD10954



5" BD29644







# MOTIFS & DECALS

Buy on-line at [www.sngbarratt.com](http://www.sngbarratt.com)

### Grille Badges

BD17737



2.4 BD11497



3.4 BD12448



3.8 BD17736



Hub cap C3367



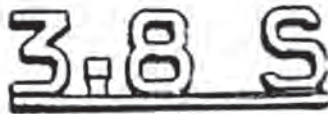
BD26762



BD26763



BD26764



BD26765



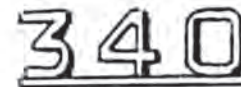
BD27195



BD27196



BD32703



BD31034



BD27194



BD24520



BD32126



BD26763



BD24521

# INTERIOR TRIM

Buy on-line at [www.sngbarratt.com](http://www.sngbarratt.com)



## Jaguar MK2

<b>JMK2/FSC1</b>	Front Seat Covers 7 pleats pair
<b>JMK2/FSC2</b>	Front Seat Covers 8 pleats pair
<b>JMK2/RSC</b>	Rear Seat Covers
<b>JMK2/DRP</b>	Door Panels (inc armrest + pockets) set of 4
<b>JMK2/CA1</b>	Carpet Set
<b>JMK2/HL1</b>	Headlining Kit - Grey
<b>JMK2/HL2</b>	Headlining Kit - Beige
<b>JMK2/HL3</b>	Headlining Kit - Green
<b>JMK2/AP</b>	A Post Trims pair
<b>JMK2/BP</b>	B Post Trims pair
<b>JMK2/CP</b>	C Post Trims pair
<b>JMK2/DP</b>	D Post Trims, leather pair
<b>JMK2/RPS</b>	Rear Parcel Shelf
<b>JMK2/SP1</b>	Soundproofing Kit (underfelt)
<b>JMK2/UP</b>	Underdash Trim for passenger side only
<b>JMK2/CC</b>	Centre Console Kit
<b>JMK2/RC</b>	Radio Console Kit
<b>JMK2/FF</b>	Furflex Kit
<b>JMK2/BM1</b>	Boot Mat (as original in black)
<b>JMK2/V</b>	0.5 mtr Vinyl x 54 inches wide
<b>JMK2/RSCV</b>	Rear Seat Vinyl (30cms x 200cms)
<b>JMK2/PFIX</b>	Panel Fixing Kit - 80 pcs
<b>JMK2/CAFIX</b>	Carpet Fixing Kit - 20 pcs
<b>JMK2/FTK</b>	Full trim kit

### OPTIONAL ITEMS

<b>JMK2/FSF1</b>	Front Seat Base Foams pair
<b>JMK2/FSF2</b>	Front Seat Backrest Foams pair
<b>JMK2/RFS1</b>	Rear Seat Base Foam
<b>JMK2/RSF2</b>	Rear Seat Backrest Foam
<b>JMK2/BSP1</b>	Boot Side Trims (as orig in dark grey) pair
<b>JMK2/BSP2</b>	Boot Side Trims (other colours) pair
<b>BD18039</b>	Boot Mat (adding suffix for colour from black-BK, blue-BL, grey-GY, red-RED).
<b>BD11605</b>	Furflex trim - add suffix for colour from beige-BEI, blue-BLE, black-BLK, burgundy-BUR, green-GRN, grey-GRY, red-RED, tan-TAN each part number is enough for one car.
<b>BD11605TACK</b>	Wooden tacking strip for furflex per metre
<b>JMK2/SV1</b>	Sunvisors without Chromes, fully trimmed pair
<b>JMK2/SV2</b>	Sunvisor Foams only pair
<b>JMK2/GB</b>	Glove Box Inner
<b>JMK2/GLG</b>	Gear Lever Gaitor, in leather
<b>JMK2/FFT</b>	Furflex Tacking Strip (req approx 9m)
<b>JMK2/BUFF</b>	Door Buffers (stoppers) set
<b>JMK2/AR1</b>	Front Armrests Fully Trimmed pair
<b>JMK2/AR2</b>	Front Armrest Covers only each
<b>JMK2/FSCV</b>	Front Seat Covers in Vinyl pair
<b>JMK2/RSCV</b>	Rear Seat Cover in Vinyl
<b>JMK2/CA2</b>	Front Footwell Carpets pair
<b>JMK2/CA3</b>	Rear Footwell Carpets pair
<b>JMK2/SP2</b>	Soundproofing Mats, Front only pair

## Jaguar S-Type

<b>JSTYPE/FSC1</b>	Front Seat Covers - perforated pair
<b>JSTYPE/FSC2</b>	Front Seat Covers - plain pair
<b>JSTYPE/RSC1</b>	Rear Seat Cover - perforated
<b>JSTYPE/RSC2</b>	Rear Seat Covers - plain
<b>JSTYPE/DRP</b>	Door Panel - Set including rear armrests
<b>JSTYPE/CA1</b>	Carpet Set - Wool
<b>JSTYPE/HL1</b>	Headlining Kit - Grey Wool Cloth
<b>JSTYPE/HL2</b>	Headlining Kit - Grey Nylon Cloth
<b>JSTYPE/HL3</b>	Headlining Kit - Beige Wool Cloth
<b>JSTYPE/HL4</b>	Headlining Kit - Beige Nylon Cloth
<b>JSTYPE/AP</b>	A Post Panels pair
<b>JSTYPE/BP</b>	B Post Panels pair
<b>JSTYPE/CP</b>	C Post Panels pair
<b>JSTYPE/DP</b>	D Post Panels pair
<b>JSTYPE/RPS</b>	Rear Parcel Shelf
<b>JSTYPE/SP</b>	Soundproofing Kit
<b>JSTYPE/SVC</b>	Carpet for Underdash Shelf
<b>JSTYPE/CC</b>	Centre Console Kit
<b>JSTYPE/FF</b>	Furflex Kit
<b>JSTYPE/BM1</b>	Boot Mat - as original Black
<b>JSTYPE/V</b>	0.5 mtr Vinyl
<b>JSTYPE/RSV</b>	Rear Seat Vinyl
<b>JSTYPE/PFIX</b>	Panel Fixing Kit
<b>JSTYPE/CAFIX</b>	Carpet Fixing Kit

<b>JSTYPE/FTK1</b>	Full Trim Kit - with Wool Headlining Kit
<b>JSTYPE/FTK2</b>	Full Trim Kit - with Nylon Headlining Kit

### OPTIONAL ITEMS

<b>JSTYPE/FSF1</b>	Front Seat Base Foams pair
<b>JSTYPE/FSF2</b>	Front Seat Backrest Foams pair
<b>JSTYPE/BSP1</b>	Boot Side Panels - as original Black pair
<b>JSTYPE/BSP2</b>	Boot Side Panels - as per interior trim colour pair
<b>BD26466</b>	Boot Mat (adding suffix for colour from black-BK, grey-GY).
<b>BD11605</b>	Furflex trim - add suffix for colour from beige-BEI, blue-BLE, black-BLK, burgundy-BUR, green-GRN, grey-GRY, red-RED, tan-TAN each part number is enough for one car.
<b>BD11605TACK</b>	Wooden tacking strip for furflex per metre
<b>JSTYPE/SV1</b>	Sunvisors - Trimmed in Grey pair
<b>JSTYPE/SV2</b>	Sunvisors - Trimmed in Beige pair
<b>JSTYPE/SVC</b>	Sunvisor Chromes pair
<b>JSTYPE/GLG</b>	Gear Lever Gaitor
<b>JSTYPE/CA2</b>	Front Footwell Mats - Wool pair
<b>JSTYPE/CA3</b>	Rear Footwell Mats - Wool pair
<b>JSTYPE/SP2</b>	Front Footwell Underfelts pair



**INTERIOR TRIM**Buy on-line at [www.sngbarratt.com](http://www.sngbarratt.com)**Daimler V8**

<b>JDAV8/FSC1</b>	Front Seat Covers (16 pleats - perforated) pair
<b>JDAV8/FSC2</b>	Front Seat Covers (16 pleats - plain) pair
<b>JDAV8/RSC1</b>	Rear Seat Covers (16 pleats - perforated) set
<b>JDAV8/RSC3</b>	Rear Seat Covers (16 pleats - plain) set
<b>JDAV8/FSC4</b>	Front Seat Cover (9 pleats - plain) pair
<b>JDAV8/RSC4</b>	Rear Seat Cover (9 pleats - plain) set
<b>JDAV8/DRP</b>	Door Panels (with armrests and pockets) set
<b>JDAV8/CA1</b>	Carpet Set - Wool
<b>JDAV8/HL1</b>	Headlining Kit Grey
<b>JDAV8/HL2</b>	Headlining Kit Beige
<b>JDAV8/HL3</b>	Headlining Kit Green
<b>JDAV8/AP</b>	A Post Trims pair
<b>JDAV8/BP</b>	B Post Trims pair
<b>JDAV8/CP</b>	C Post Trims pair
<b>JDAV8/DP</b>	D Post Trims (Leather) pair
<b>JDAV8/RPS</b>	Rear Parcel Shelf
<b>JDAV8/SP</b>	Soundproofing Kit (underfelt)
<b>JDAV8/UP</b>	Underdash Panel on Passenger Side
<b>JDAV8/RC</b>	Radio Console Kit (Leather)
<b>JDAV8/FF</b>	Furflex Kit (draught excluder)
<b>JDAV8/BM1</b>	Boot Mat (original Black)
<b>JDAV8/V</b>	0.5 Mtr Vinyl
<b>JDAV8/RSC</b>	Rear Seat Vinyl (30 x 200cm)
<b>JDAV8/PFIX</b>	Panel fixing Kit (80pcs)
<b>JDAV8/CFIX</b>	Carpet Fixing Kit (20pcs)
<b>JDAV8/FTK</b>	Full trim kit (16 Pleats)
<b>JDAV8/FTK2</b>	Full trim kit ( 9 Pleats)

**OPTIONAL ITEMS**

<b>BD18039</b>	Boot Mat (adding suffix for colour from black-BK, blue-BL, grey-GY, red-RED.)
<b>BD11605</b>	Furflex trim - add suffix for colour from beige-BEI, blue-BLE, black-BLK, burgundy-BUR, green-GRN, grey-GRY, red-RED, tan- TAN each part number is enough for one car.
<b>BD11605TACK</b>	Wooden tacking strip for furflex per metre
<b>JDAV8/FSF</b>	Front Seat Base Foams pair
<b>JDAV8/BSP1</b>	Boot Side Panels (original Dark Grey) pair
<b>JDAV8/BSP2</b>	Boot Side Trims (as per interior colour) pair
<b>JDAV8/SV2</b>	Sunvisors Untrimmed pair
<b>JDAV8/SV1</b>	Sunvisors Trimmed (without Chromes) pair
<b>JDAV8/GB</b>	Dashboard Glovebox
<b>JDAV8/CA2</b>	Front Footwell Carpets - Wool pair
<b>JDAV8/FFT</b>	Furflex Tacking Strip (req. approx. 9metres)
<b>JDAV8/HDRP</b>	Untrimmed Door Panel Boards each

**Seatbelts**

**Lap belts-** a period style belt with chrome lift buckle and chrome leaping cat motif suitable for the front and rear.

Black	BF2004/1
Grey	BF2004/2
Red	BF2004/3
Tan	BF2004/11

Eyebolt mounting kit for one lap belt BF2005

**3 point fixing belts-** a period style belt with chrome lift buckle and chrome leaping cat motif suitable for the front only. The mounting point on the B post must be created in order to fit them and all the necessary fittings and fixings are included.

Black	BF2012/1
Grey	BF2012/2
Red	BF2012/3
Tan	BF2012/11



Securon belts are made in the UK and can be used to replace existing seatbelts or to provide safety restraint in cars with no original fitment.

<b>Static front</b>	SB300/45	2
<b>Static rear</b>	SB200	2
<b>Rear centre lap</b>	SB210	1
<b>Inertia front</b>	SB500/45	2
<b>Inertia rear</b>	SB254	2
<b>Centre lap</b>	SB210	1

# INDEX

Buy on-line at [www.sngbarratt.com](http://www.sngbarratt.com)



<b>A</b>					
Accelerator Pedal Rubber	44/46	Fuel Cap	38	<b>P</b>	
Air Filters	15	Fuel Gauge	56	Piston, Brake Caliper	27/28/29
Anti-Roll Bar	23	Fuel Pipes	38	Piston Ring Sets	5
Automatic Gearbox	19	Fuel Pump Assembly	38	Piston Sets	5
<b>B</b>		Fuel Sender Unit	38	Polybush Kits	23
Badges, front	65	Fuel Tank	38	Production Data	2
Badges, rear	65	Fuse Box & Fuses	60	Propshaft & Fittings	19
Ball joints	23	<b>G</b>		Pulley, crankshaft	5
Battery	60	Gasket Set, cylinder head	11	Pulley, dynamo	59
Battery Bracket Assembly	60	Gasket Set, bottom end	7	<b>R</b>	
Bearing Set, camshaft	10	Gasket Set, gearbox	18	Radiator	35
Bearing Set, con rod	5	Gauges	56	Radiator Cap	35
Bearing Set, main	5	Gear Lever	18	Radiator Hose Kits	35
Bearings, rear axle	20/21	Gear Lever Gaiter	43/45	Rear Axle Differential	20/21
Block, cylinder	4	Gear Lever Knob	18	Rear lamps	51/53
Body Panels	39	Gearbox, Automatic	19	Relay Unit, indicator	57
Body Rubbers	43/45	Gearbox Gasket Set	18	Release (Clutch) Bearing	17
Bonnet Buffers	44/46	Gearbox, Manual	18	Rotor Arm	60
Boot Lock	50	Gearbox Mountings	18	<b>S</b>	
Boot Seal	44/46	Grille, radiator	50	Seal Kit, brake master cyl	31
Brake Calipers	27/28/29	<b>H</b>		Seal Kit, front & rear brakes	25/26/27
Brake Disc/Pads	27/28/29	HT Lead/Set	60	Seal Kit, clutch master cyl	17
Brake Hoses	31	Half shafts Universal Joints	26	Seal Kit, clutch slave cyl	17
Brake Upgrade Kits	28	Handbrake Cable	32	Seat Belts	67
Brake Master Cylinder	31	Handbrake Components	27/30	Sender Unit, Brake Fluid	31
Brake Pad Set	27/28/29	Handbrake Pad Set	27/30	Sender Unit, Fuel	38
Brake Pipe Kit	32	Headlamp Assemblies	52	Sender Unit, Oil pressure	57
Brake Wheel Cylinder (Dunlop)	27	Headlamp Rim	52	Sender Unit, Temperature	57
Brake Wheel Cyl Repair Kit	27	Headliner Kit	66/67	Shock Absorber, front	22
Bulbs	52/53	Heater	62	Shock Absorber, rear	24/26
Bumpers & fittings	48	Heater Control Cables	62	Sills	40/42
Bushes, front suspension	23	Heater Matrix	62	Spark Plug	60
Bushes, rear suspension	24/25	Heater Motor	62	Speedometer	56
<b>C</b>		Horn	60	Speedometer Cable	57
Camshaft Bearings	10	Horn Push	57	Spinners	33
Camshaft Follower	10	Hose kit	35	Spring, rear, coil	26
Carburettor Components	14	Hub Cap	33	Spring, rear, leaf	24
Carburettor Rebuild Kits	16	Hub, wire wheel, front	22	Sprocket, camshaft	12
Carburettors	14	Hub, wire wheel, rear	20/26	Sprocket, crankshaft	6
Carpet Kits	66/67	<b>I</b>		Steering Column Bushes	34
Chassis Plates	64	Identification Plates	64	Steering Joints	22
Clutch Cover	17	Ignition Coil	59	Steering UJ	34
Clutch Kit	17	Ignition Systems, electronic	61	Steering Wheel	34
Clutch Master Cylinder	17	Indicator lamps	51/53	Stud, cylinder head	5
Clutch Pipe (flexible)	17	Instruments	56	Stud, exhaust manifold	10
Clutch Plate	17	<b>J</b>		Sump	6
Clutch Release Bearing	17	Jack Ratchet Handle	63	Suspension Overhaul Kits	23
Clutch Release Lever	17	Jet Assembly (SU Carb)	16	Switches	56/57
Clutch Slave Cylinder	17	<b>K</b>		Synchro Ring, gearbox	18
Clutch Slave Cyl Repair Kit	17	Knock Off Hammer	63	<b>T</b>	
Condenser	60	Knock Offs (Spinners)	33	Tachometer	56
Connecting Rods	5	<b>L</b>		Tail lamp	53
Connectors, electrical	58	Lamp (Map): Dashboard	52	Tappet (Cam Follower)	10
Contact Breakers	60	Lamp: Indicators (front/rear)	51/53	Thermostat	11
<b>D</b>		Lamp: Number plate	51/53	Timing Chain	12
Dash Knob Set	57	Lamp: Tail Assembly	51/53	Timing Chain Kits	12
Decals	64	Locking wire	25	Timing Chain Tensioner	12
Differential	21	<b>M</b>		Tools	63
Dipstick, engine	5	Manifold, exhaust	11	Trim Kits	66/67
Distributor	60	Manifold, inlet	10	<b>U</b>	
Distributor Cap	60	Map lamp	52	Universal Joint, driveshaft	26
Door Fittings	50	Mirrors	50	Universal Joint, propshaft	19
Door Glass	47	Mountings, Engine	5	Universal Joint, steering	34
Door Handle	50	<b>N</b>		<b>V</b>	
Door Locks	50	Needles (Carbs)	16	Vacuum Advance Pipe	60
Door Seals	43/45	Number Plate Lamp	51/53	Vacuum Advance Unit	60
Door Skins	39	Nut, cylinder head	11	Valve Guides	11
Dynamo	59	<b>O</b>		Valve, engine	11
Dynamo Pulley	59	Oil Filter Spin Off Kit	9	<b>W</b>	
<b>E</b>		Oil Filter Element	9	Washer Bottle	55
Engine Lock Tab Set	6	Oil Pressure Release Valve	9	Washer Foot Valve	55
Engine Mountings	5	Oil Pressure Sender Unit	57	Washer Jet Assembly	55
Engine ID/No Plates	64	Oil Pump	7	Water Pump	8
Exhaust Systems	36/37	Oil Seals, rear axle	20	Wheels, wire	33
Exhaust Manifold	11	Over rider	48	Windows	47
<b>F</b>		<b>P</b>		Windscreens	47
Fan Belt	35	Washer Bottle	55	Wiper Arm	55
Fan, Kenlowe, electric	35	Washer Foot Valve	55	Wiper Blade	55
Flasher Unit	57	Washer Jet Assembly	55	Wiper Motor	55
Float (Carburettor)	16	Water Pump	8	Wire Wheel Brush	33
Float Needle & Seats	16	Wheels, wire	33	Wiring Looms	58
Flywheel	5	Windows	47		
Flywheel Bolts	5	Windscreens	47		

