

A close-up, front-facing view of a dark red Bentley Continental GT. The image focuses on the car's iconic round headlights, the chrome bumper, and the mesh grille. The car is parked on a paved surface, and the background is slightly blurred, showing a green landscape under a grey sky.

S·N·G
BARRATT
GROUP

X350

THE PARTS COLLECTION

FIND US...

With over 30 years experience in supplying Jaguar parts, SNG Barratt Group are the World's largest independent specialists, with a Head Office in the UK and branches in the USA, France and Holland. We stock and supply parts for Jaguar cars from 1949 right through to the present day.



SNG BARRATT LTD
BRIDGNORTH, UNITED KINGDOM

T: +44 (0)1746 765432 E: sales.uk@sngbarratt.com



SNG BARRATT USA
NEW HAMPSHIRE, USA

T: +1 800 452 4787 E: sales.usa@sngbarratt.com



SNG BARRATT FRANCE
CHARNEY-LES-MACON

T: +33 (0)3 85 20 14 20 E: france@sngbarratt.com



SNG BARRATT NL
OISTERWIJK

T: +31 (0)1352 11 552 E: sales.nl@sngbarratt.com



SNG BARRATT GERMANY
OISTERWIJK, NL

T: 018 01 833 833 (DE only) E: sales.de@sngbarratt.com

ALL INCLUDED IMAGES & DATA
SNG BARRATT GROUP LTD. 2018 ©

KEEPING JAGUARS PURRING

ALL OVER THE WORLD

EXPERIENCE, KNOWLEDGE
& EXPERT ADVICE

MULTILINGUAL STAFF TO HELP
CUSTOMERS WORLDWIDE

EXTENSIVE WAREHOUSES

1-2 DAY SHIPPING

24 HOUR ONLINE ORDERING &
UP-TO-DATE STOCK AVAILABILITY

INTERACTIVE PARTS SEARCH
& FREE CATALOGUES



WELCOME

SNG Barratt first started to sell and remanufacture Jaguar E-Type components in the 1970's. With constant re-investment the range quickly grew and more and more items were re-introduced. Now many years later we make a multitude of parts for the entire range of classic Jaguars. This catalogue is designed purely with the X350 & X358 owner in mind and offers a range of the products that we can provide for these particular models.



YOUR CUSTOMER NUMBER

Upon dealing with SNG Barratt for the first time you will be allocated a customer number. In most cases this will be your UK postcode or in the USA your telephone number. However if you are outside the UK/USA your sales advisor will use either your postal area code or a number devised using your surname. This customer number can either be found on your invoice or simply by asking the person serving you. The ability to provide your customer number when contacting our sales department will allow us to access your information far faster and serve you even more efficiently.

Customer Number:



HOW TO USE THIS CATALOGUE

Use the illustration in each section to identify the component that you require. Note the indicated item number and find the corresponding number in the section listing. There you will see our part number for that item, the description and to it's right the quantity required per car. Very often this will be the original Jaguar part number, thus allowing you to refer to an original factory parts catalogue if more detail is required.

If you then quote this part number when contacting our sales department or enter it into our website, we will be able to confirm the cost (all prices are also available online) and whether we have the part in stock.

If you cannot find or conclusively identify the item that you require then please call and we will assist you. Whilst this catalogue is a comprehensive publication, it is not a definitive guide to everything that we can provide. Our staff have many years of experience with all aspects of the Jaguar marque and may have just the answer.

ENGINE: DIESEL		Heading	Part Number	Quantity required per car
1	Front Crankshaft Oil Seal		C2C11491	1
2	Cylinder Head Gasket			
	Grade 1		C2S51265	2
	Grade 2		C2S51265	2

USEFUL ACRONYMS

NS	NOT SHOWN
RH/LH	RIGHT-HAND/LEFT-HAND
RHF/LHR	RIGHT HAND FRONT/LEFT HAND REAR
RHD/LHD	RIGHT-HAND DRIVE/LEFT-HAND DRIVE

We manufacture hundreds of Jaguar parts and have access to thousands more, for both classic and modern cars.

You can download your very own set of catalogues from our website at

www.sngbarratt.com

INTRODUCTION

THE JAGUAR X350 & X358

The modern XJ, known as the X350, was produced by Jaguar between the years 2003 and 2006. The model sold popularly from the beginning of production and subsequently a facelifted model was introduced in 2007 which became known as the X358.

X350/X358 buyers have the choice between a 2.7 V6 Diesel engine, a 3.0 V6 Petrol engine or three variations of the V8 Petrol engine, including non-supercharged and a 4.2 supercharged. There are four model options, including Executive, Sovereign, XJR and Super V8.

The car's chassis and body are constructed almost entirely from aluminium, giving a total weight of just 1539kg based on the 3.0 V6 model. The vehicle was the first Jaguar to be built using self-piercing rivets.

The X350's design includes outer headlights that are larger than the inner headlights. The facelifted design (X358) was unveiled in February 2007, featuring a slightly different front grille and front bumpers. The cast bonnet "leaper" changed to a Jaguar emblem within the grille and the front lights were slightly changed too. The front wings were remodelled to include side vents and the rear of the car also witnessed some revisions.

YOUR VEHICLE DETAILS

Please complete this section as accurate vehicle information at your finger tips will prove to be invaluable. Very often identifying the correct part for you car can be dictated by chassis or engine number. These details can best be found on the car itself, as registration documents can often prove to be incorrect due to engine swaps and vehicle upgrades that the DVLA have not been advised of.

Year of manufacture:

Engine Size & Type: V6 Petrol / V8 Petrol / 2.7 Diesel

VIN / Chassis Number:

<input type="text"/>	<input type="text"/>	<input type="text"/>	<input type="text"/>	<input type="text"/>	<input type="text"/>	<input type="text"/>	<input type="text"/>	<input type="text"/>	<input type="text"/>	<input type="text"/>	<input type="text"/>	<input type="text"/>	<input type="text"/>	<input type="text"/>	<input type="text"/>
----------------------	----------------------	----------------------	----------------------	----------------------	----------------------	----------------------	----------------------	----------------------	----------------------	----------------------	----------------------	----------------------	----------------------	----------------------	----------------------

Engine Number:

<input type="text"/>	<input type="text"/>	<input type="text"/>	<input type="text"/>	<input type="text"/>	<input type="text"/>	<input type="text"/>	<input type="text"/>	<input type="text"/>	<input type="text"/>
----------------------	----------------------	----------------------	----------------------	----------------------	----------------------	----------------------	----------------------	----------------------	----------------------

Paint Code:

<input type="text"/>

We have access to thousands of Jaguar parts. This information will help us to quickly locate the best parts for your Jaguar.



6	ENGINE: V6 PETROL
8	ENGINE: V8 PETROL
10	ENGINE: DIESEL
12	DRIVEBELTS
14	COOLING SYSTEM
19	FUEL & EXHAUST
22	TRANSMISSION
25	FRONT SUSPENSION
27	REAR SUSPENSION
31	STEERING
32	BRAKING
38	AIR CONDITIONING & HEATING
39	BODY CLOSURES & SEALS
40	BODY FITTINGS
44	ELECTRICAL SYSTEM
48	LIGHTING
52	WASHER WIPER
55	SERVICE ITEMS
56	ACCESSORIES, LUBRICANTS & CLEANING PRODUCTS

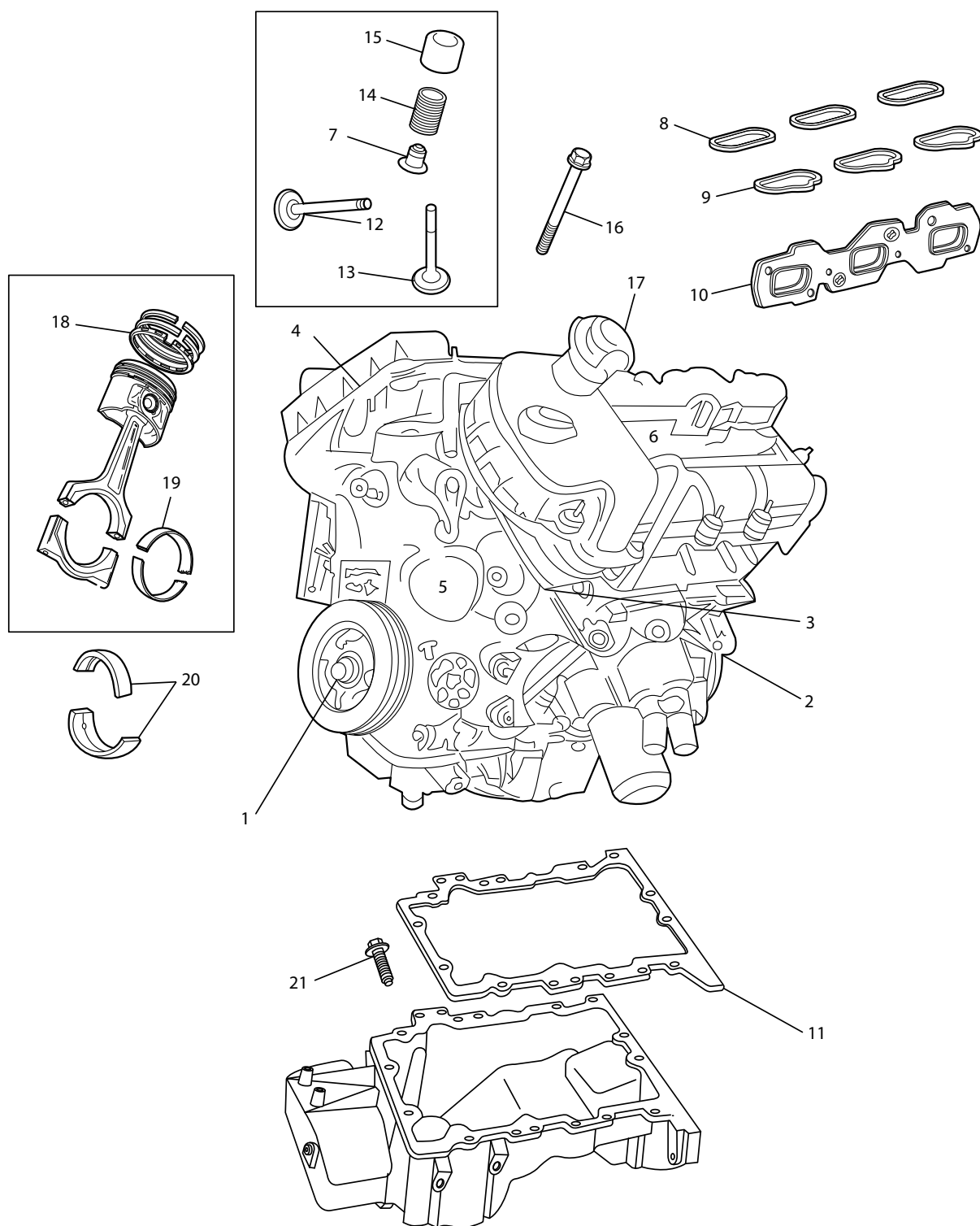


ENGINE

ENGINE: V6 PETROL

1	Front Crankshaft Oil Seal	C2S48116	1	16	Cylinder Head Bolt M10	XR85387	16
2	Rear Crankshaft Oil Seal	AJ89510	1	17	Oil Filler Cap	C2C16256	1
3	Cylinder Head Gasket			18	Piston Ring Kit	C2C5449	6
	LH - B Bank	XR857983	1	19	Connecting Rod Bearing	XR853085	12
	RH - A Bank	XR857982	1	20	Crankshaft Main Bearing	Contact us	
4	Camshaft Cover Gasket			21	Sump Drain Plug	XR820128	1
	LH - B Bank	C2S34512	1	NS	Front Engine Mounting		
	RH - A Bank	XR851930	1		To VIN G29903	C2C31216	1
5	Timing Cover Gasket				From VIN G29904	XR854274	1
	LH - B Bank	XR85358	1	NS	Rear Engine Mounting		
	RH - A Bank	XR85360	1		To VIN H20062	C2D38505	1
	Centre	XR85369	1		From VIN H20063	C2P8353	1
6	Sparkplug Cover Seal	XR847907	2				
7	Valve Seal	XR85231	24				
8	Inlet Manifold to Cylinder Head Gasket	XR843533	6				
9	Inlet Manifold Upper Gasket	XR843536006	6				
10	Exhaust Manifold Gasket	C2S33620	2				
11	Sump Gasket	C2S43270	1				
12	Inlet Valve	XR822776	12				
13	Exhaust Valve	AJ810106	12				
14	Valve Spring	AJ889550	24				
15	Tappet	C2S44734	24				





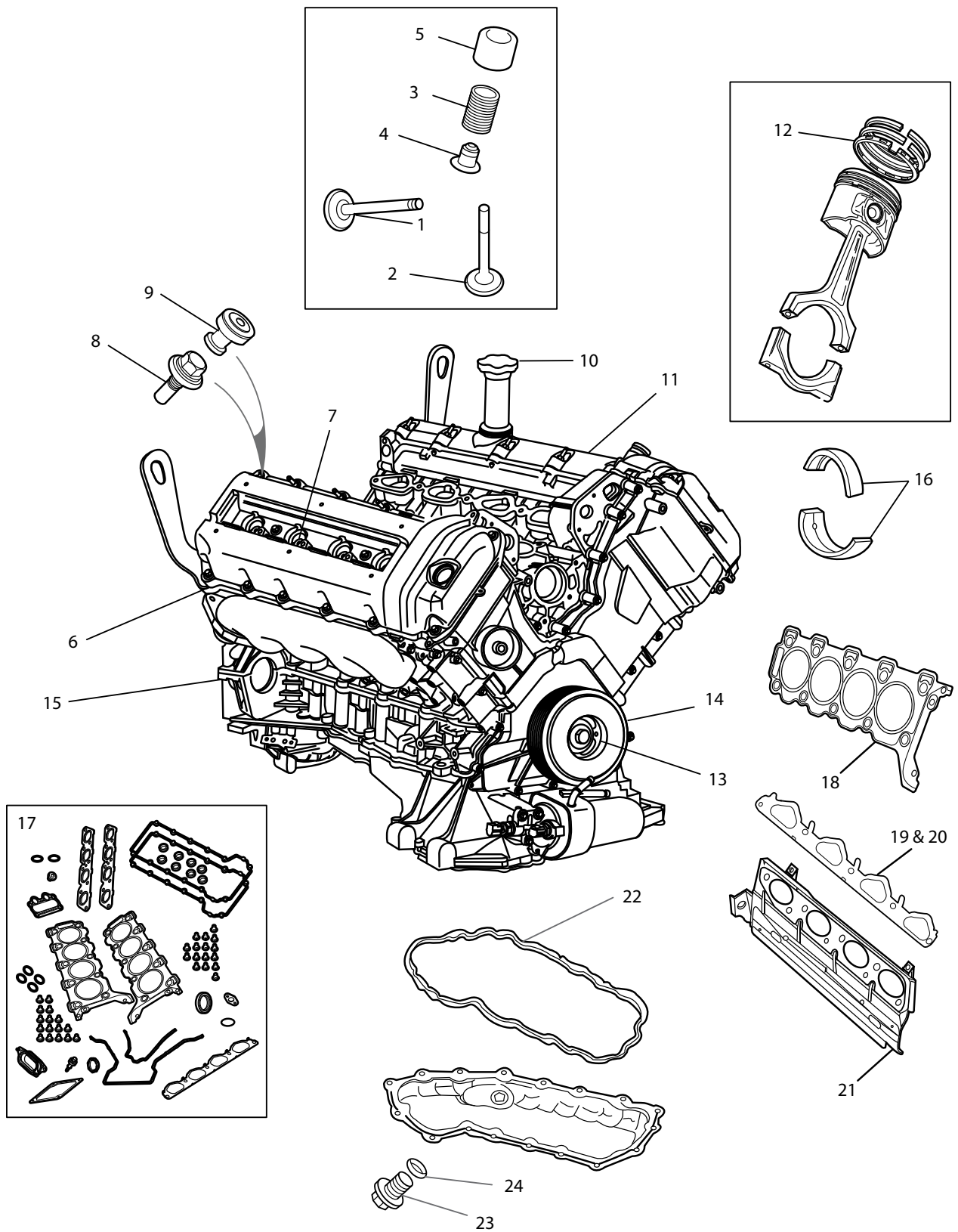
ENGINE

ENGINE: V8 PETROL

1	Inlet Valve	AJ810945	16	NS Front Engine Mounting		
2	Exhaust Valve	NCA2532AA	16	To VIN G49700	C2C31215	2
3	Valve Spring	AJ87950	32	From VIN G49701	C2C31128	2
4	Valve Spring Seat Seal	NCE2528AC	32	NS Rear Engine Mounting		
5	Tappet	C2S44734	32	To VIN H20062	C2D38505	1
NS	Tappet Adjustment Shim			From VIN H20063	C2P8353	1
	Available in increments from 2.18mm to 2.90mm	AJ4884 - AJ84935	A/R	17 Gasket Kit		
				Supercharged	C2C22653	1
6	Camshaft Cover Gasket			Non-Supercharged	C2C32955	1
	LH-B Bank	AJ812402	1	18 Cylinder Head Gasket		
	RH-A Bank	AJ812399	1	LH-B Bank	AJ88988	1
7	Spark Plug Boss Seal	AJ86874	8	RH-A Bank	AJ88987	1
8	Cam Cover Grommet	AJ810628	16	19 Inlet Manifold Gasket Lower	AJ85392	2
9	Cam Cover Grommet	AJ810631	4	20 Inlet Manifold Gasket Upper		
10	Oil Filler Cap	AJ87922	1	Supercharged only	AJ82528	2
11	On Plug Coil Cover			21 Exhaust Manifold Gasket		
	LH-B Bank	AJ812156	1	LH-B Bank	AJ810025	1
	RH-A Bank	AJ86177	1	RH-A Bank	AJ810024	1
12	Piston Ring Kit	C2C28473	1	22 Sump Gasket	AJ89207	1
13	Damper Sealing Ring	XR81139	1	23 Sump Drain Plug	JZH100062	1
14	Crankshaft Front Oil Seal	AJ83698	1	24 Drain Plug Seal	NCE1850AB	1
15	Crankshaft Rear Oil Seal	AJ83744	1	NS Oil Pump	AJ811878	1
16	Main Bearings	Contact us				

TIMING GEAR (NOT SHOWN IN ILLUSTRATION)

Primary Timing Chain	AJ82289	2	Secondary Timing Chain	C2A1511	1
Primary Chain Tensioner	AJ82325	2	Tensioner RH-A Bank		
Primary Chain Tensioner Blade	C2A1497	2	VVT Sealing Ring	NEE2622BA	4
Primary Chain Guide	C2A1456	2	Filter	AJ81264	2
Crankshaft Sprocket	AJ82293	2	Timing Cover Seal Inner	AJ83699	1
Secondary Timing Chain	AJ8290		Timing Cover Seal Outer	AJ86700	1
Secondary Timing Chain Tensioner LH-B Bank	C2A1512	1	Pulley Bearing Oil Seal	AJ86747	3
			4.2 Supercharged		
			Front Crankshaft Oil Seal	AJ83698	1



ENGINE

ENGINE: DIESEL

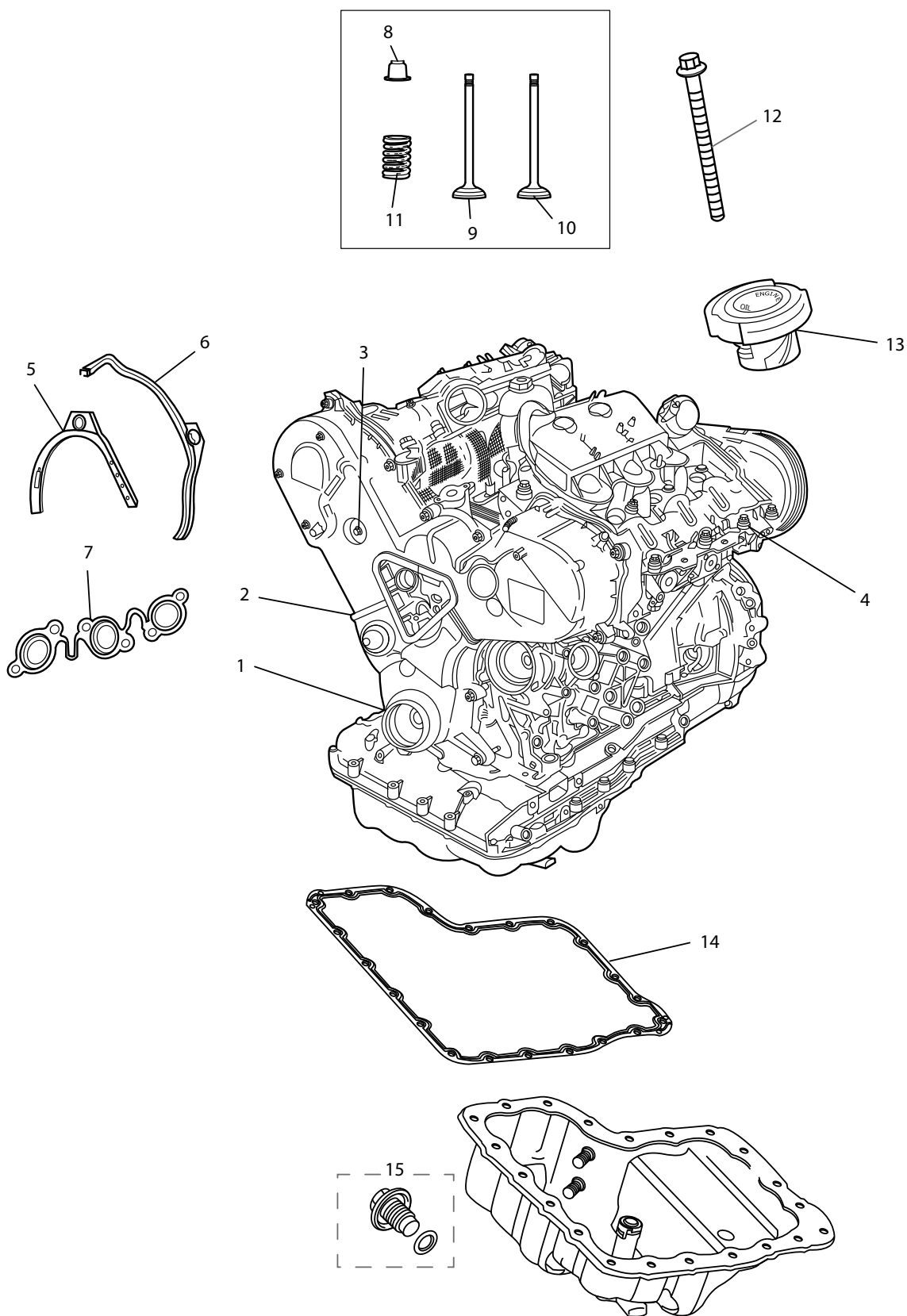
1	Front Crankshaft Oil Seal	C2C11491	1	10	Exhaust Valve	C2S50770	12
2	Cylinder Head Gasket			11	Valve Spring		
	Grade 1	C2S51265	2		To VIN H31756	C2S49620	24
	Grade 2	C2S51265	2		From VIN H31757	JDE38206	24
	Grade 3	C2S51266	2	12	Cylinder Head Bolt	JDE3199	8
	Grade 4	C2S51267	2	13	Oil Filler Cap	C2C16256	1
	Grade 5	C2S51267	2	NS	Front Engine Mounting	XR854275	2
3	Inner Camshaft Seal	JD61567	3	NS	Rear Engine Mounting		
4	Camshaft Cover Gasket	C2Z19938	2		To VIN H20062	C2D38505	1
5	Timing Cover Gasket LH - B Bank	JDE3097	1		From VIN H20063	C2P8353	1
6	Timing Cover Gasket RH - A Bank	JDE3096	1	14	Sump Gasket	C2S47774	1
7	Exhaust Manifold Gasket	C2S30281	2	15	Sump Drain Plug	AJ83017	1
8	Valve Seal	JDE61439	24				
9	Inlet Valve	JD61430	12				



TIMING CHAIN KIT
C2S30215



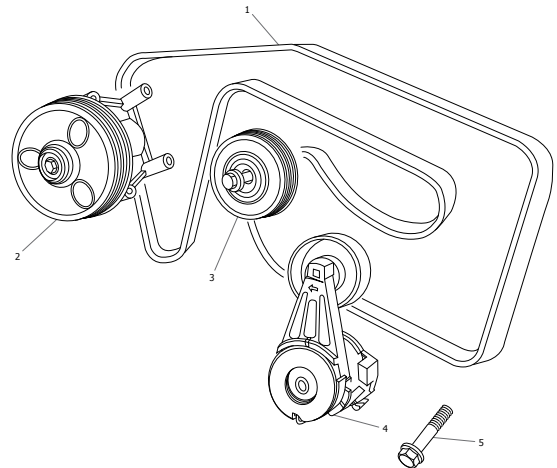
OIL PUMP
C2Z31680



DRIVEBELTS

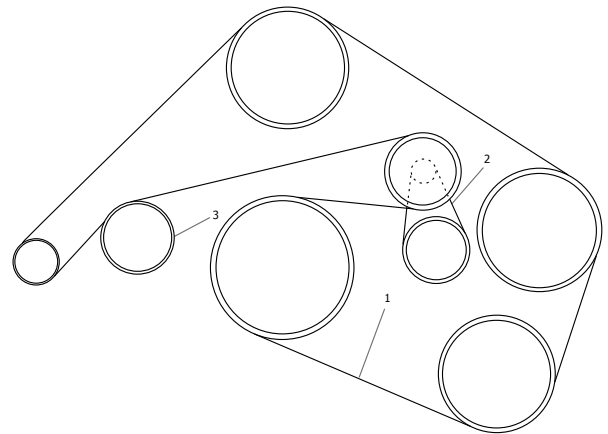
V6 PETROL

1	Engine Drive Belt	C2C28085	1
2	Idler Pulley	AJ89037	1
3	Drive Belt Tensioner		
	To VIN G25593	AJ8633	1
	From VIN G25594	C2S45579	1
4	Flanged Bolt	C2S26052	1



V8 PETROL

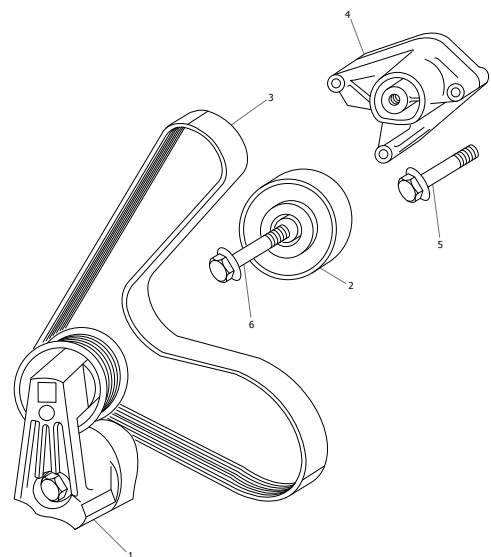
1	Engine Drive Belt	C2C37063	1
2	Drive Belt Tensioner	C2C36146	1
	Please note cars up to VIN G26598 will also require 1 x C2C22786		
3	Idler Pulley	C2C37064	1



SUPERCHARGER

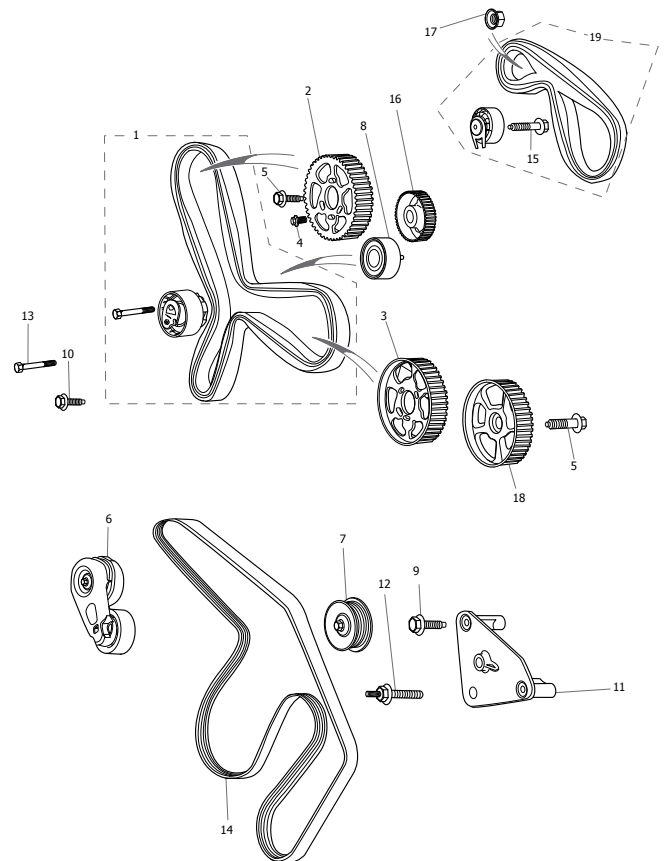
Please note for cars up to VIN H17573 all individual components must be replaced

1	Drive Belt Tensioner	C2C37057	1
2	Idler Pulley	C2S46862	1
3	Supercharger Belt	C2C37055	1
4	Idler Mounting Bracket	C2C37056	1
5	Bolt	C2C35274	1
6	Flanged Bolt	C2S26052	1



DIESEL

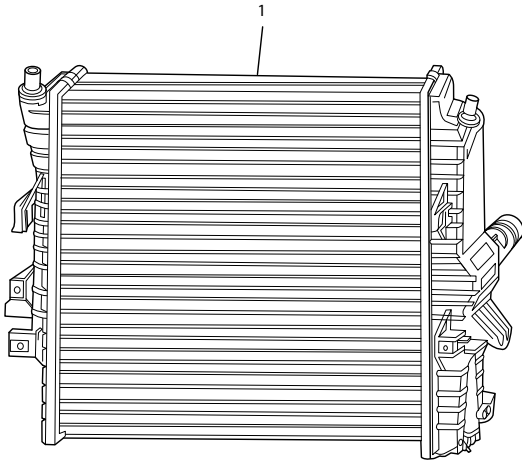
1	Engine Timing Belt Kit	C2C41082	1
2	Camshaft Pulley RH	JDE3130	1
3	Camshaft Pulley LH	JDE61562	1
4	Hex Headed Flanged Bolt	JD61676	3
5	Hex Headed Flanged Bolt	JDE3184	1
6	Drive Belt Tensioner Front	JDE11364	1
7	Drive Belt Tensioner Upper	C2C22802	1
8	Idler Pulley	JD61536	1
9	Flanged Bolt	AJ84410	1
10	Flanged Bolt	JDE7907	1
11	Idler Mounting Bracket	XR843904	1
12	Stud	C2C34716	1
13	Flanged Bolt	C2S44882	1
14	Engine Drive Belt	C2C20642	1
15	Flanged Bolt	XR838685	1
16	Injector Pump Sprocket	C2S30235	1
17	Nut	C2S50775	1
18	Camshaft Pulley	JD61560	1
19	Rear Engine Timing Belt Kit	C2C24601	1
	Also requires	XR838685	1



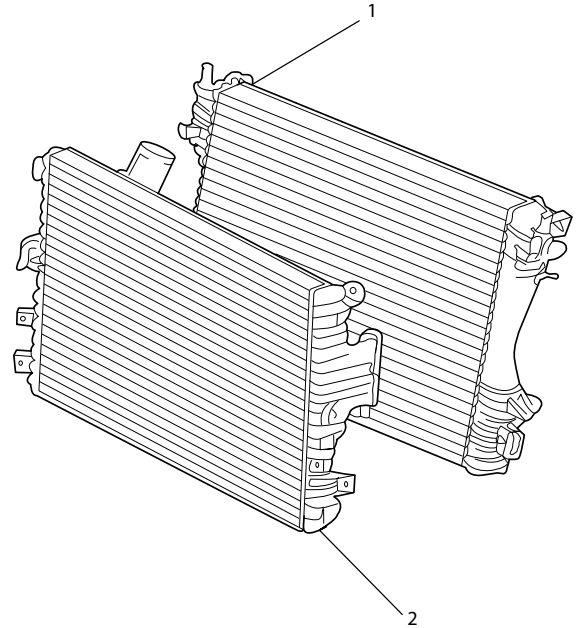
COOLING SYSTEM

RADIATOR ASSEMBLY

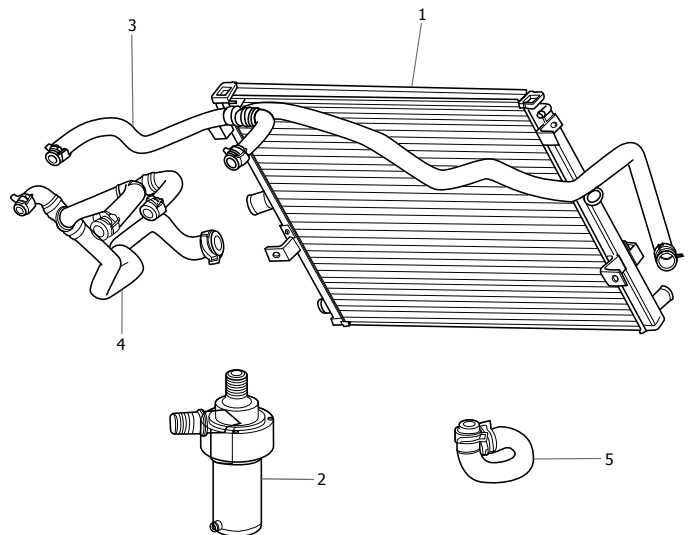
1 Radiator Assembly Petrol C2C36506



1 Radiator 2.7 Turbo-Diesel XR858580 1
2 Intercooler 2.7 Turbo-Diesel C2D45348 1

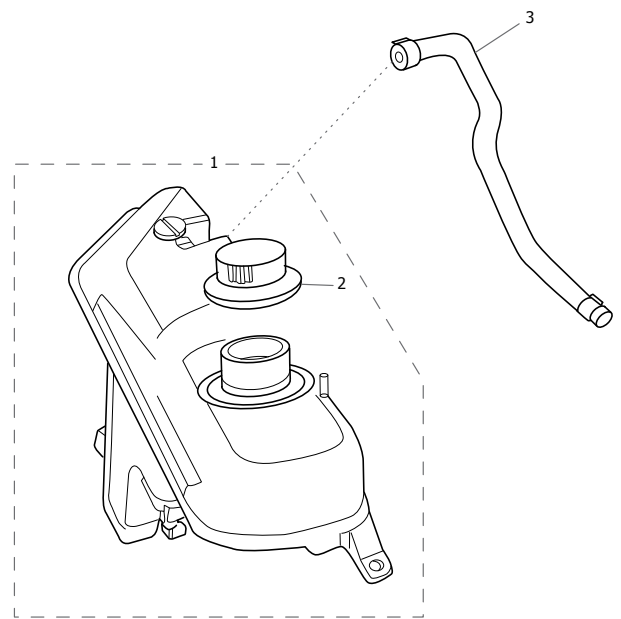


1 Supercharger Radiator
To VIN G47193 XR839090 1
From VIN G47194 C2C31200 1
2 Supercharger Coolant Pump C2C1314 1
3 Inlet Hose
To VIN G43621 C2C26616 1
From VIN G43622 C2C28145 1
4 Return Hose
To VIN G43621 C2C18161 1
From VIN G43622 C2C28125 1
5 Return Hose C2C26617 1



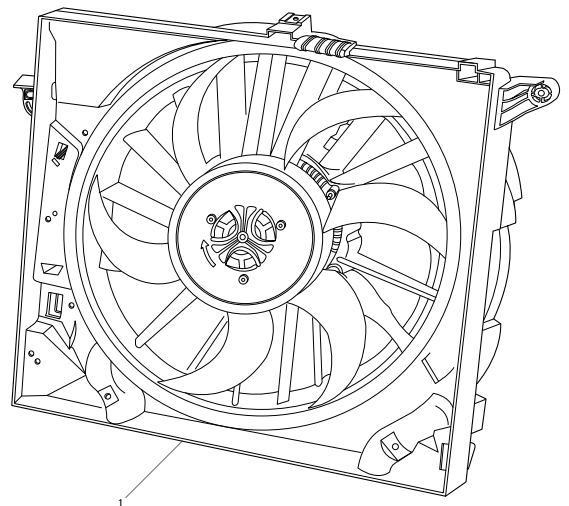
EXPANSION TANK

1	Radiator Expansion Tank 2.7 Turbo-Diesel	C2D36876	1
	Radiator Expansion Tank 4.2 Non-Supercharged	C2C41899	1
	Radiator Expansion Tank 4.2 Supercharged	C2C41900	1
2	Reservoir Cap	C2P17700	1
3	Engine Vent Hose 2.7 Turbo-Diesel	XR832983	1
	Engine Vent Hose 4.2 Non-Supercharged		
	To VIN G49700	C2C3507	1
	From VIN G49701	C2C24574	1
	Upper Engine Vent Hose 4.2 Supercharged	AJ811771	1
	Lower Engine Vent Hose 4.2 Supercharged		
	To VIN G43621	C2C10872	1
	From VIN G43622	C2C26619	1



FAN & COWL ASSEMBLY

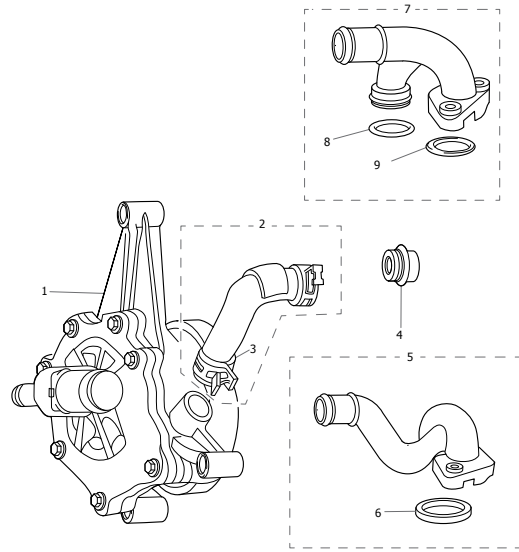
1	Radiator Fan & Cowl		
	Petrol	C2P16825	1
	Diesel	XR858357	1



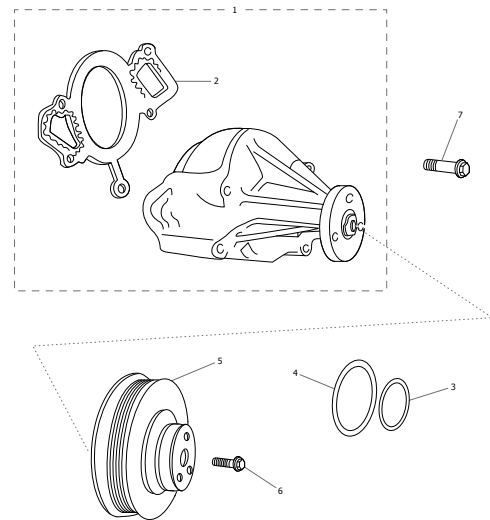
COOLING SYSTEM

WATER PUMP

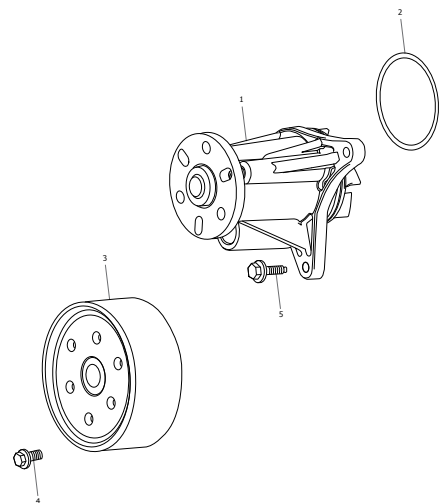
1	Water Pump V6 Petrol	C2C38862	1
2	Outlet Hose	AJ89508	1
3	Hose Clamp	AJ89509	1
4	Water Pump Seal	C2C38862	1
5	Inlet Pipe	XR83355	1
6	Inlet Pipe Gasket	XR85431	1
7	Outlet Pipe	AJ87945	1
8	Water Outlet Seal	XR85353	1
9	Sealing Ring	XR85356	1



1	Water Pump V8 Petrol	AJ88912	1
2	Water Pump Gasket 0.4mm	AJ88922	1
	Water Pump Gasket 1.5mm	AJ83300	1
3	O Ring 55mm	KSR634001	1
4	O Ring 70mm	AAJ81324	1
5	Water Pump Pulley	AJ83874	1
6	Flange Headed Set Screw	AJ81256	3
7	Flange Headed Bolt (M6x50mm)	JFB10610B	5

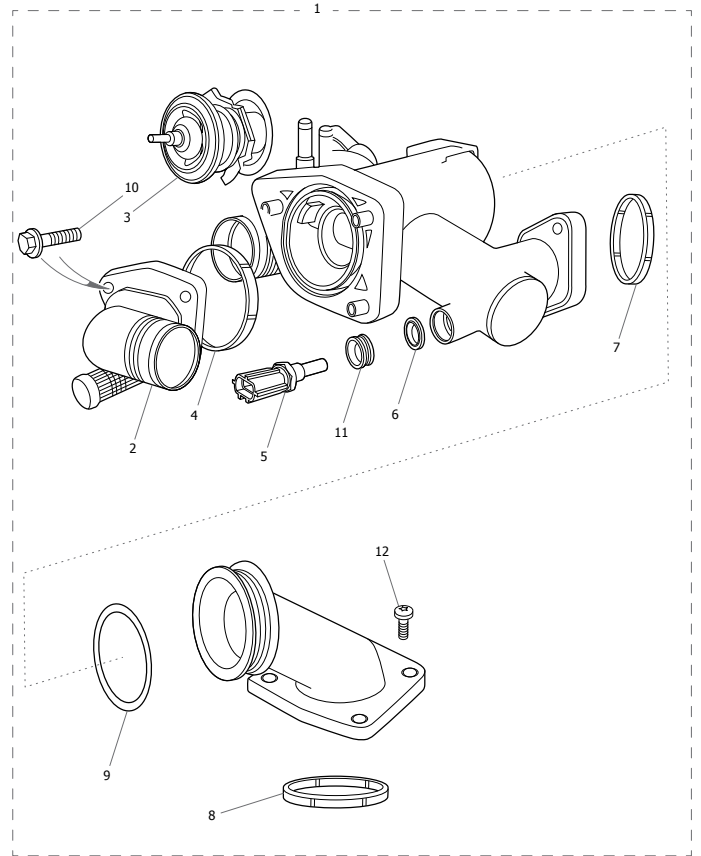


1	Water Pump Diesel	C2S1205	
2	Water Pump Gasket	C2S31612	1
3	Pulley	C2S9554	1
4	Pulley Bolt (M8x14mm)	C2C20186	3
5	Water Pump Bolt (M6x20mm)	C2S26050	3



WATER OUTLET PIPE ASSEMBLY

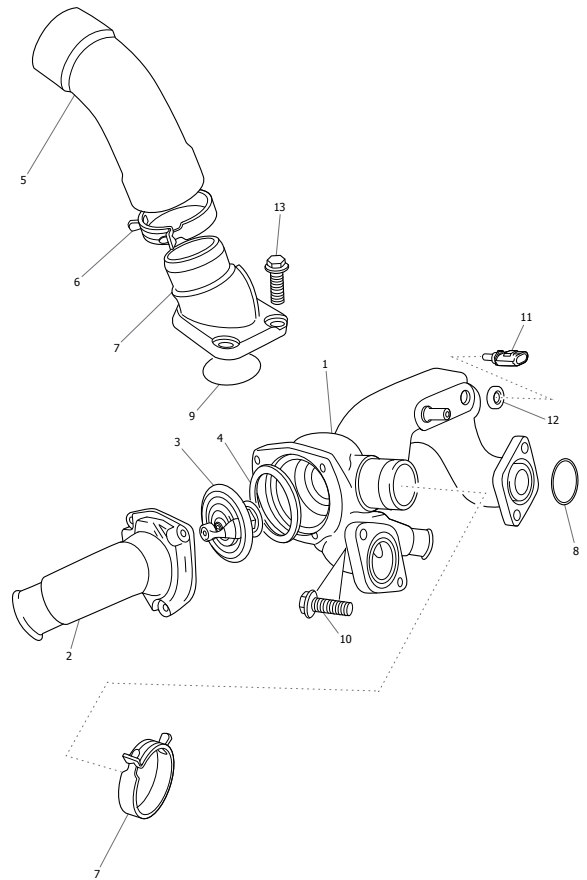
1	Outlet Pipe Assembly Petrol Non-Supercharged		
	To VIN G49700	AJ89485	1
	From VIN G49701	AJ811793	1
2	Thermostat Cover		
	To VIN G49700	AJ89483	1
	From VIN G49701	AJ89469	1
3	Thermostat		
	To VIN G49700)	AJ82697	1
	From VIN G49701	AJ811788	1
4	Thermostat Seal	AJ83525	1
5	Coolant Temperature Sensor		
	M12 Thread to VIN G49700	LNA1600AA	1
	Push Fit from VIN G49701	AJ88655	1
6	Washer	AJ811945	1
7	Water Outlet Seal	C2C11477	2
8	Thermostat Housing Seal	NCA2296CA	1
9	Duct O Ring	AJ83526	1
10	Thermostat Cover Bolt (M6x20mm)	C2Z1859	3
11	Insulator	AJ85475	1
12	Torx Headed Screw (M6x25mm)	C2C8868	8



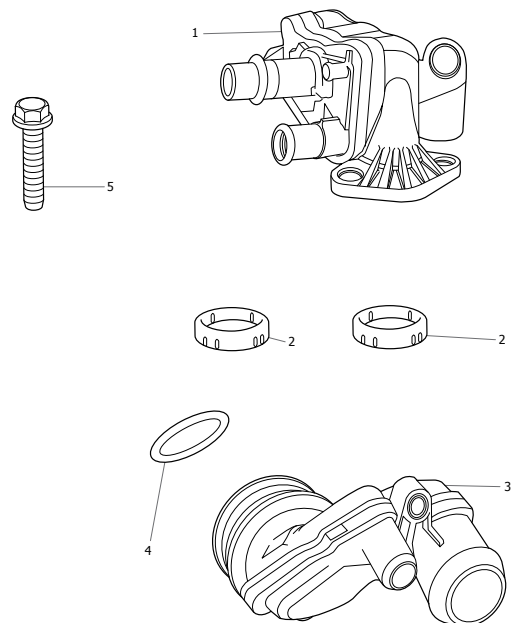
COOLING SYSTEM

WATER OUTLET PIPE ASSEMBLY (CONT.)

1	Outlet Pipe Petrol Supercharged	AJ812469	1
2	Thermostat Cover		
	To VIN G49700	AJ84255	1
	From VIN G49701	AJ88957	1
3	Thermostat		
	To VIN G49700	AJ86484	1
	From VIN G49701	AJ811788	1
4	Thermostat Seal		
	To VIN G49700	NCA2246BA	1
	From VIN G49701	AJ83525	1
5	Housing to Inlet Hose	AJ811638	1
6	Hose Clamp	AJ81315	2
7	Inlet Pipe Housing	AJ87639	1
8	Water Outlet Seal	C2C11477	2
9	Thermostat Housing Lower Seal	NCA2269CA	1
10	Torx Headed Screw (M6x25mm)	C2C8868	4
11	Coolant Temperature Sensor		
	M12 Thread to VIN G49700	LNA1600AA	1
	Push Fit from VIN G49701	AJ88655	1
12	Sealing Washer	AJ811945	1
13	Pan Headed Torx Screw (M6x20mm)	C2C25942	1

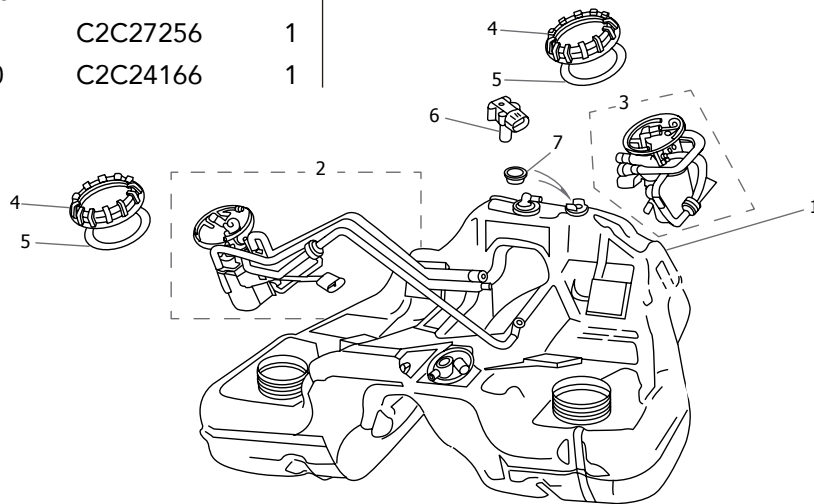


1	Water Outlet Connection Diesel	JDE38234	1
2	Water Outlet Seal	JDE3993	2
3	Water Inlet Pipe	C2C23804	1
4	Water Seal	JDE1699	1
5	Bolt (M6x25mm)	C2Z1354	1



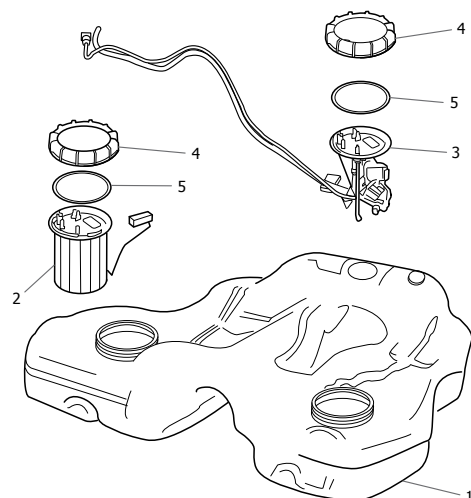
FUEL TANK PETROL

1	Fuel Tank			RH to VIN G27197	C2C26898	1
	3.5 & 4.2 Naturally Aspirated			RH VIN G27198 to VIN G49700	C2C24165	1
	To VIN G49700	C2C28185	1	4.2 Supercharged from VIN G49701	XR856398	1
	From VIN G49701	C2C25738	1			
	4.2 Supercharged			3	Sender Unit only	
	To VIN G49700	C2C28183	1		To VIN G49700	C2C24163
	From VIN G49701	C2S25738	1		From VIN G49701	XR857987
2	Fuel Pump & Sender Unit			4	Retaining Ring	XR87952
	3.5 & 4.2 Naturally Aspirated			5	Gasket	XR85049
	To VIN G49700	C2C24164	1	6	Transducer	C2C1240
	From VIN G49701	XR852872	1	7	Transducer Seal	C2C6602
	4.2 Supercharged to VIN G49700					
	LH to VIN G27197	C2C27256	1			
	LH VIN G27198 to VIN G49700	C2C24166	1			



FUEL TANK DIESEL

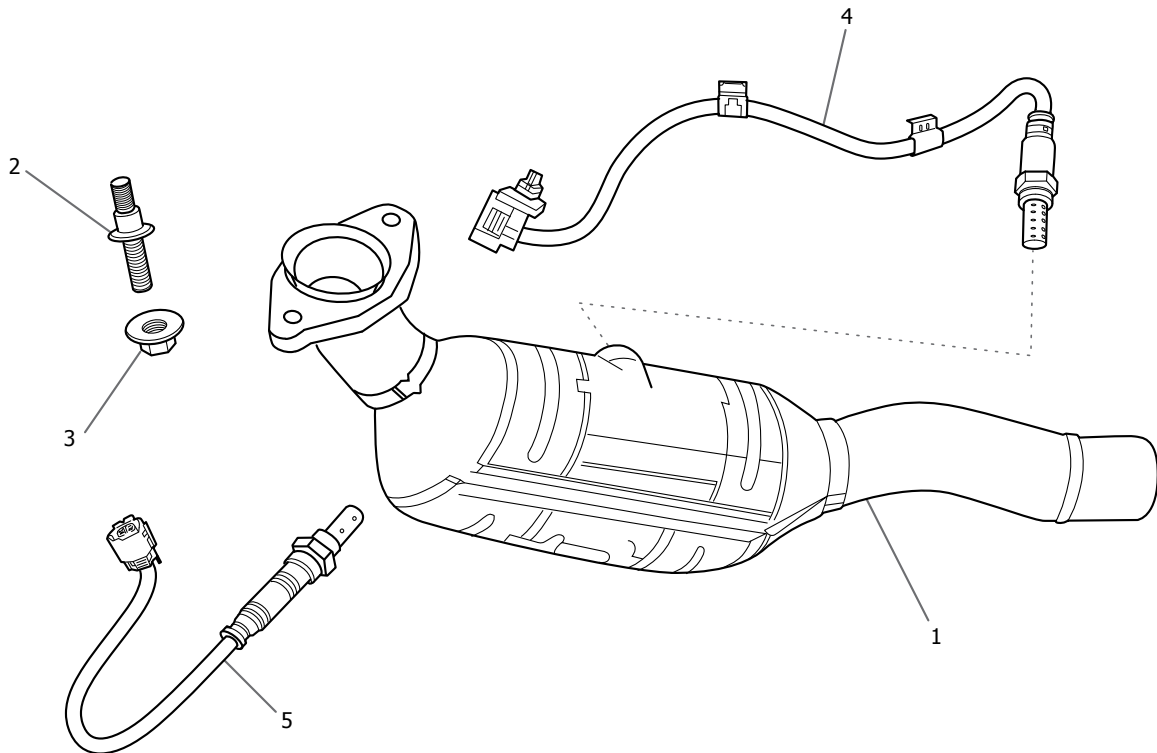
1	Fuel Tank	C2C30798	1
2	Fuel Pump	C2C35101	1
3	Sender	XR854264	1
4	Retaining Ring	XR87952	2
5	Gasket	XR85049	2



FUEL & EXHAUST

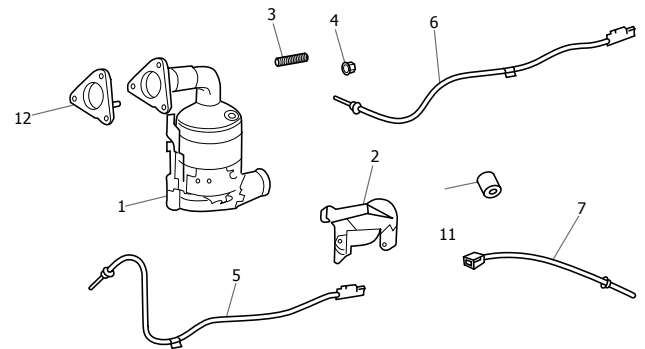
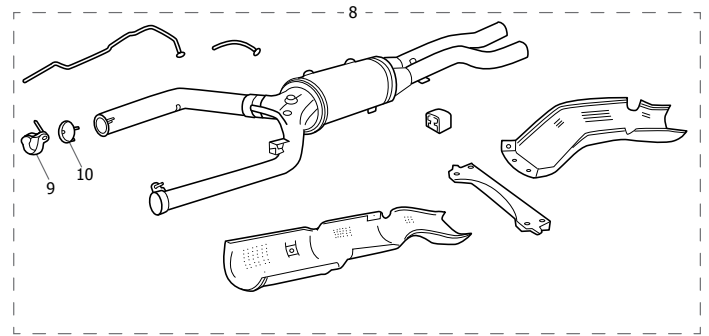
EXHAUST PIPES PETROL

1 Exhaust Downpipe & Catalyst						
LH						
3.0 to VIN G49700	C2C41599	1	3.5 & 4.2 Naturally Aspirated	To VIN G49700	C2C41595	1
3.0 from VIN G49701	C2C41602	1	To VIN G49700	From VIN G49701	C2C41598	1
3.5 & 4.2 Naturally Aspirated			4.2 Supercharged	To VIN G49700	C2C41596	1
To VIN G49700	C2C20717	1	From VIN G49701	From VIN G49701	C2C41598	1
From VIN G49701	C2C41603	1	2 Manifold Stud		XR836503	4
4.2 Supercharged			3 Nut		XR82889	4
To VIN G49700	C2C41601	1	4 Heated Oxygen Sensor Lower	To VIN G49700	C2C25956	2
From VIN G49701	C2C41603	1	From VIN G49701	From VIN G49701	C2C22679	2
RH			5 Heated Oxygen Sensor Upper	To VIN G49700	C2C29250	2
3.0 to VIN G49700	C2C19639	1	From VIN G49701	From VIN G49701	C2P8810	2
3.0 from VIN G49701	C2C41597	1				



EXHAUST PIPES DIESEL

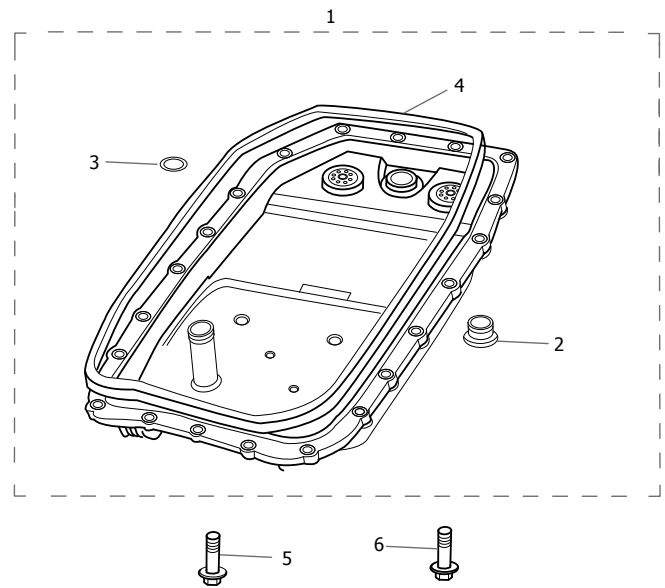
1 Exhaust Downpipe & Catalyst		
LH	C2C39593	1
RH	C2C39591	1
2 Exhaust Mounting Bracket		
LH	XR849528	1
RH	XR849524	1
3 Stud Catalyst to Turbo	AJ88495	6
4 Nut Catalyst to Turbo	JZN100021	6
5 Exhaust Gas Temperature Sensor Upper	C2C36030	2
6 Exhaust Gas Temperature Sensor Lower	C2C36031	2
7 Exhaust Gas Temperature Sensor Centre	C2C36032	2
8 Front Pipe and Particulate Filter	C2C40890	1
9 Exhaust Clamp	XR852828	2
10 Gasket	XR852833	2
11 Exhaust Mount	C2P13213	2
12 Gasket	XR851855	2



TRANSMISSION

GEARBOX ASSEMBLY

1	Gearbox Sump & Filter Assembly	C2C38963	1
2	Drain Plug	C2C6699	1
3	O Ring	C2C6730	1
4	Sump Gasket	C2C6714	1
5	Screw Gearbox Sump	C2C9651	3
6	Screw Gearbox Sump	C2C9650	7
NS	Oil Filler Plug		
	To VIN H17518	C2C6729	1
	From VIN H17519	C2C38965	1



GEARBOX SUMP & FILTER ASSEMBLY

PART NUMBER: C2C38963#

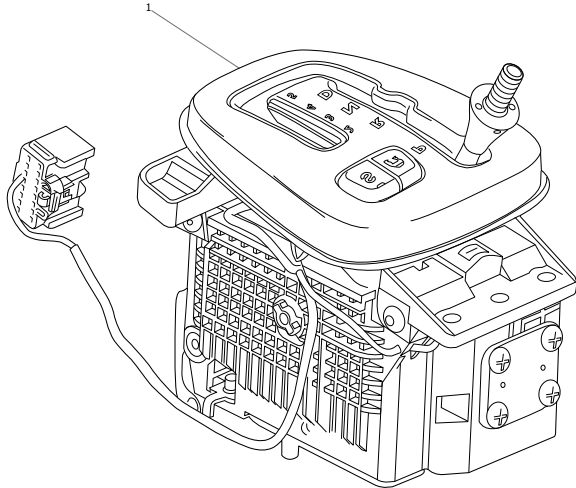


GEARBOX OIL
C2C8432# (1L)

7L REQUIRED

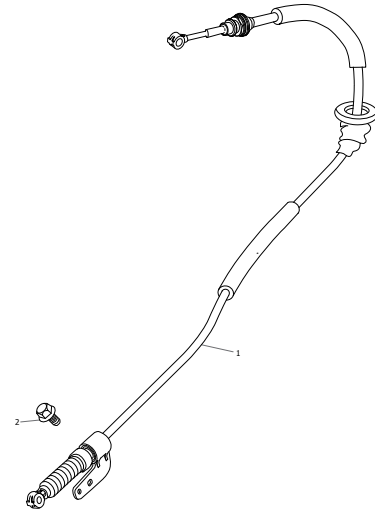
GEARSHIFT HAND LEVER

- | | | | |
|---|----------------------|----------|---|
| 1 | Gearshift Hand Lever | C2C36038 | 1 |
|---|----------------------|----------|---|



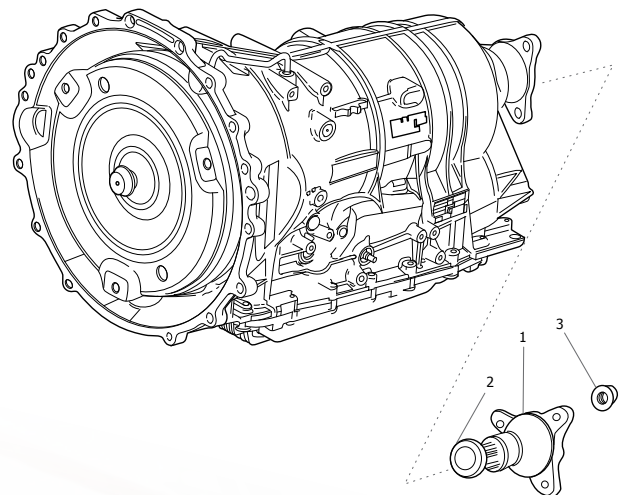
GEAR CONTROL CABLE

- | | | | |
|---|--------------------|----------|---|
| 1 | Gear Control Cable | | |
| | Petrol Engines | C2C34727 | 1 |
| | Diesel Engines | C2C34728 | 1 |
| 2 | Screw & Washer | C2C22081 | 2 |



OUTPUT FLANGE

- | | | | |
|---|--------------------|----------|---|
| 1 | Output Flange | C2C25737 | 1 |
| 2 | Output Flange Seal | C2C26719 | 1 |
| 3 | Output Flange Nut | C2C6725 | 1 |

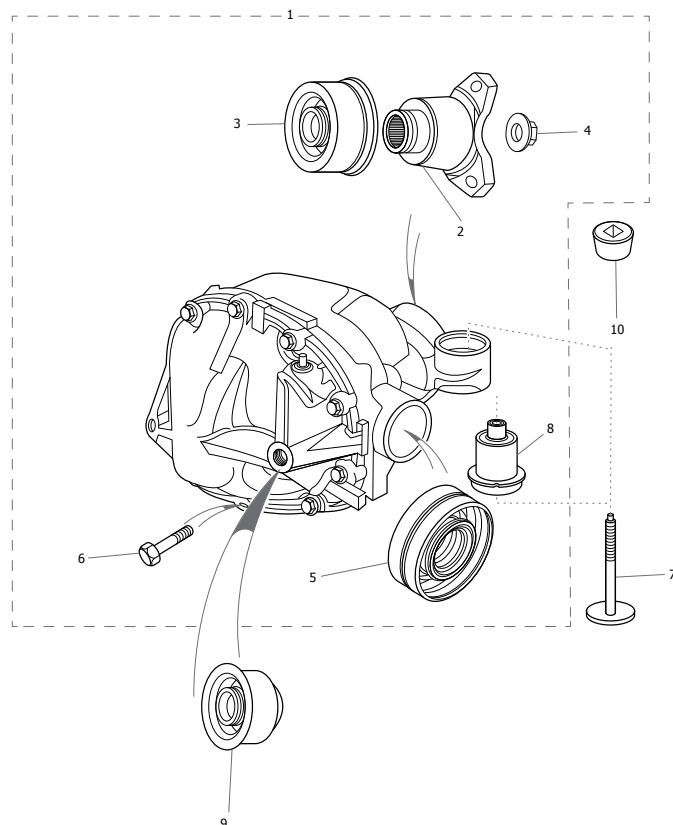


TRANSMISSION

DIFFERENTIAL

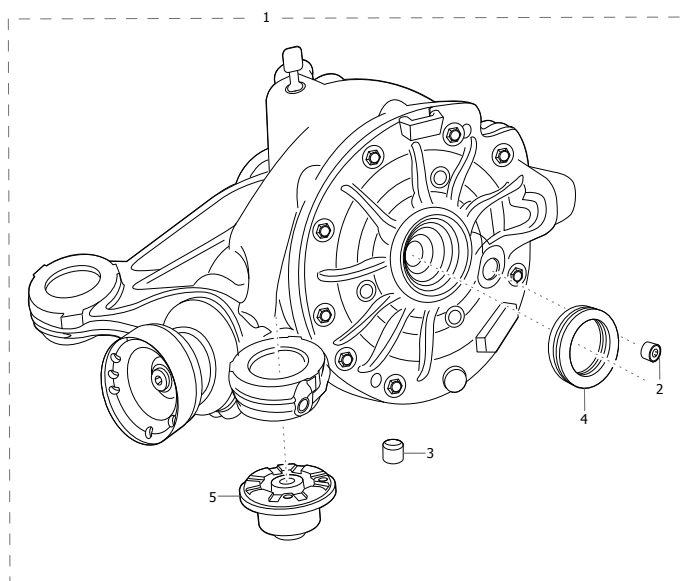
To VIN H31470

1	Differential	Call for details	
2	Companion Flange	C2C32944	1
3	Pinion Oil Seal	C2S52518	1
4	Pinion Nut	XR85967	1
5	Output Oil Seal	XR821244	2
6	Cover Screw	XR85077	10
7	Bolt and Washer	C2C22516	1
8	Insulator Front Lower	C2C16377	1
9	Insulator Front Upper	C2C31909	1
10	Level Plug		
	To VIN H02908	XR815977	1
	VIN H02909 to H31470	C2C32945	1



From VIN H31471

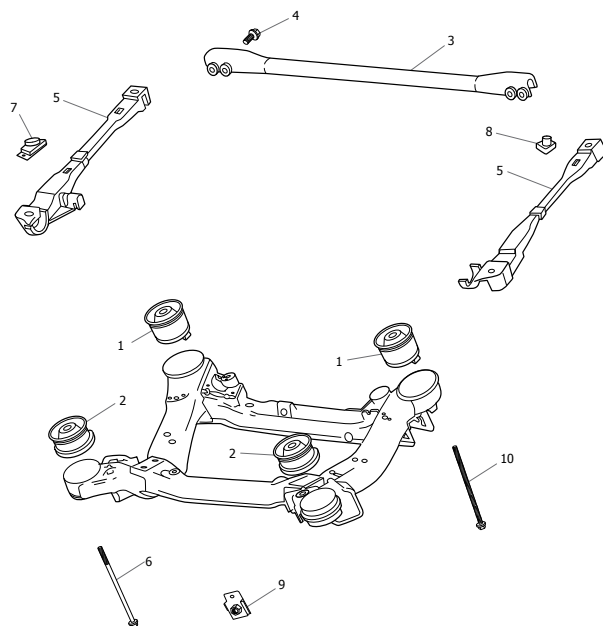
1	Differential	Call for details	
2	Oil Filler Plug	C2D3648	1
3	Oil Drain Plug	C2D3649	1
4	Output Shaft Oil Seal	C2D3647	2
5	Insulator		
	LH Upper	C2P15558	1
	RH Upper	C2P15557	1



FRONT SUSPENSION

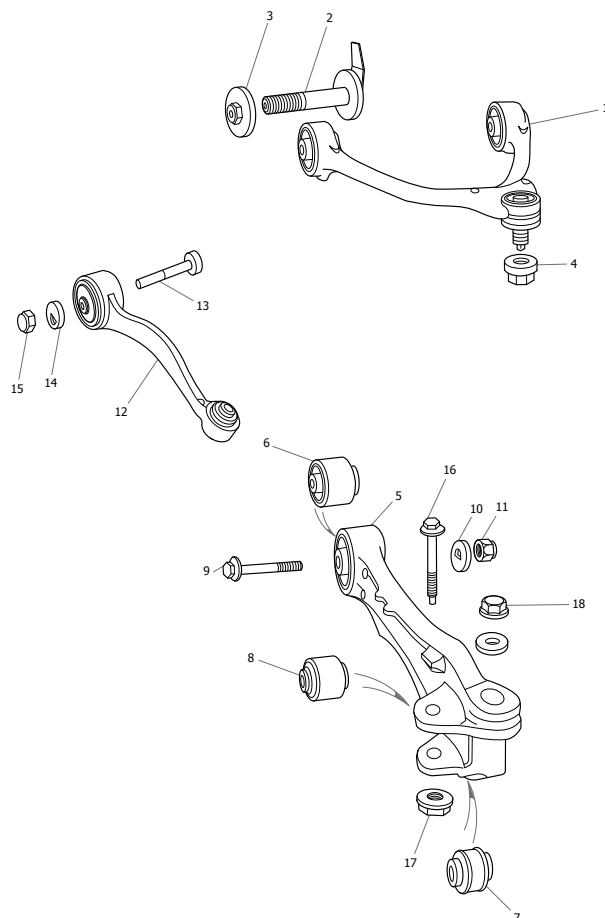
FRONT CROSSBEAM

1	Front Frame Mounting Bush	C2C2941	2
2	Rear Frame Mounting Bush	C2C2942	2
3	Brace	C2C36771	1
4	Bolt	C2P7626	4
5	Spacer		
	LH		
	To VIN H00320	C2C11598	1
	From VIN H00321	C2C30947	1
	RH	C2C11599	1
6	Screw & Washer	C2C40373	2
7	Nut	C2D8478	2
8	Caged Nut	C2P8619	2
9	Caged Nut	C2D8478	2
10	Bolt and Washer	C2P7447	2



FRONT WISHBONES

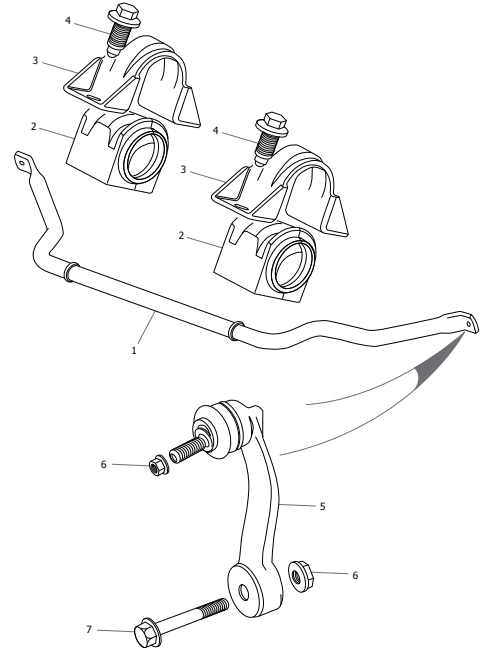
1	Wishbone Arm Upper LH	C2C38957	1
1	Wishbone Arm Upper RH	C2C38956	1
2	Bolt	C2C5694	4
3	Nut	C2P7443	4
4	Flanged Nut	C2S42348	2
5	Wishbone Arm Lower Lateral LH	C2P24862	1
5	Wishbone Arm Lower Lateral RH	C2P24861	1
6	Wishbone Bush	C2C4437	2
7	Damper Bush	C2C36866	2
8	Wishbone Bush	C2C39683BU	2
9	Special Bolt	C2P7438	2
10	Cam	C2C23854	2
11	Nut	C2C6651	2
12	Wishbone Arm Lower	C2C39683	2
13	Special Bolt	C2P7437	2
14	Cam	C2C23854	2
15	Nut	C2P7440	2
16	Bolt	C2D23103	2
17	Flanged Nut	C2S42348	2
18	Nut and Washer	C2P7442	2



FRONT SUSPENSION

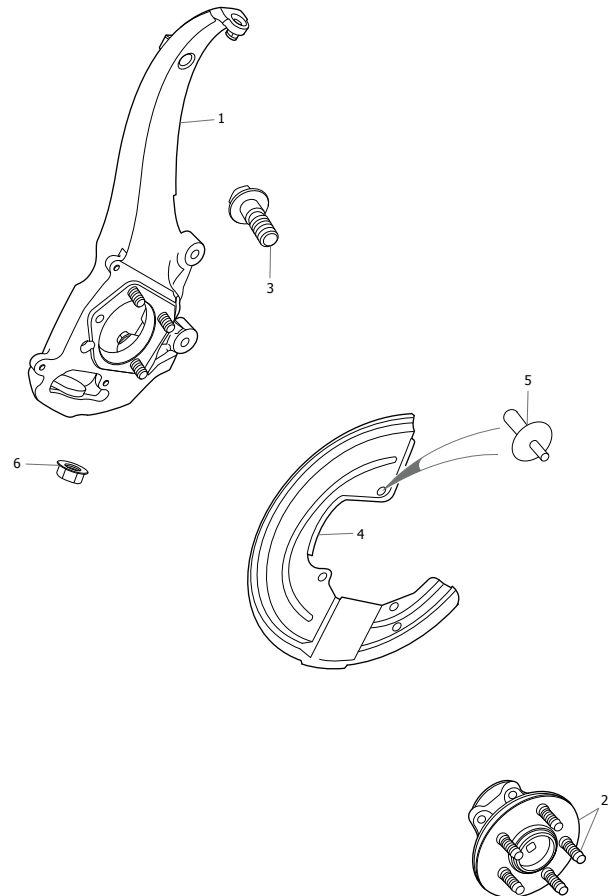
FRONT ANTI ROLL BAR

1	Anti Roll Bar		
	Petrol	C2P23535	1
	Diesel	XR837160	1
2	Anti Roll Bar Mounting Bush	XR819697	2
3	Anti Roll Bar Bracket	XR81740	2
4	Flange Headed Bolt	XR853292	2
5	Anti Roll Bar Link	C2D24220	2
6	Flanged Nut	XR848057	2
7	Bolt	C2P7190	2



HUB & VERTICAL LINK

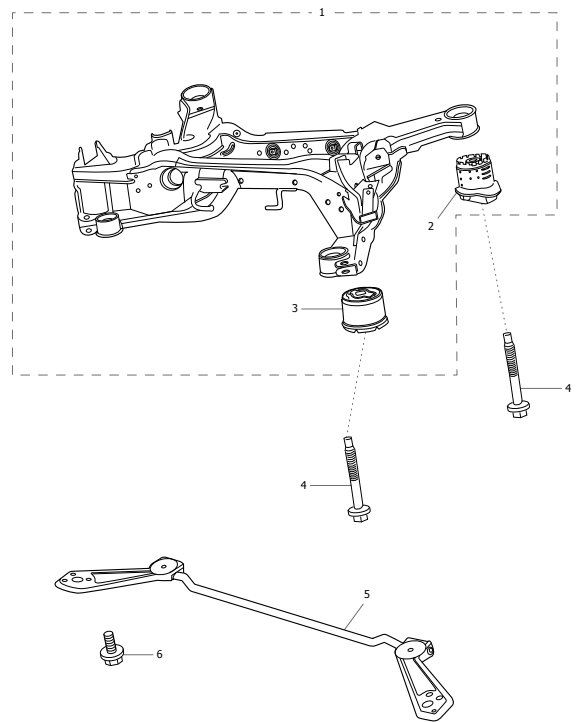
1	Vertical Link		
	LH all except 4.2 Supercharged		
	To VIN G49700	C2C25789	1
	From VIN G49701	C2C39509	1
	LH 4.2 Supercharged	C2C21658	1
	RH all except 4.2 Supercharged		
	To VIN G49700	C2C25788	1
	From VIN G49701	C2C39508	1
	RH 4.2 Supercharged	C2C21656	1
2	Hub and Bearing Assembly	C2C22824	2
3	Bolt Hub to Vertical Link		
	To VIN G18373	C2P7448	8
	From VIN G18374		
	Top	C2P7441	4
	Bottom	C2P7448	4
4	Disc Shield		
	LH all except 4.2 Supercharged	C2C1108	1
	LH 4.2 Supercharged	C2C36870	1
	RH all except 4.2 Supercharged	C2C1107	1
	RH 4.2 Supercharged	C2C36869	1
5	Blind Rivet	XR817594	6
6	Nut and Washer	C2P7442	2



REAR SUSPENSION

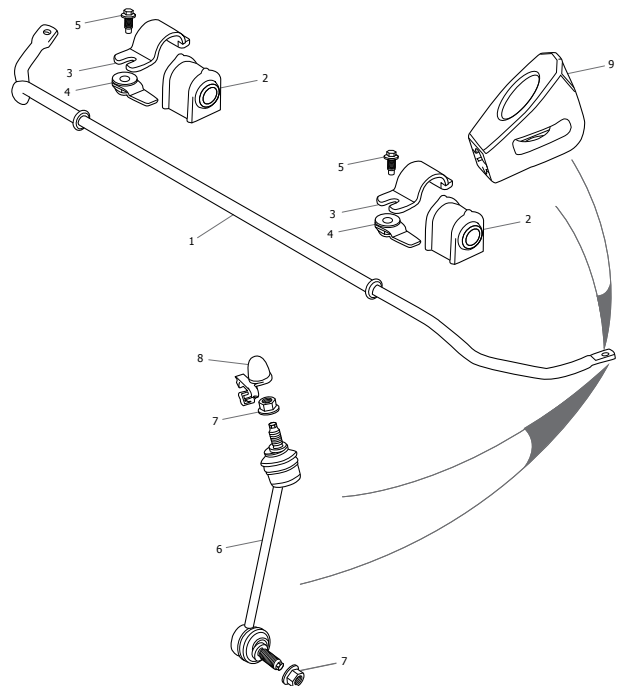
REAR FRAME CARRIER

1	Suspension Subframe		
	To VIN H01762	C2C12486	1
	From VIN H01763	C2C34129	1
2	Subframe Mounting Bush Rear	C2C31256	2
3	Subframe Mounting Bush Front		
	To VIN H01762	C2C25611	2
	From VIN H01763	C2C34189	2
4	Mounting Bolt		
	M12 x 141mm	C2P7262	2
	M12 x 165mm	C2P7261	2
5	Brace	C2C25776	1
6	Screw & Washer	C2C6173	6



REAR ANTI ROLL BAR

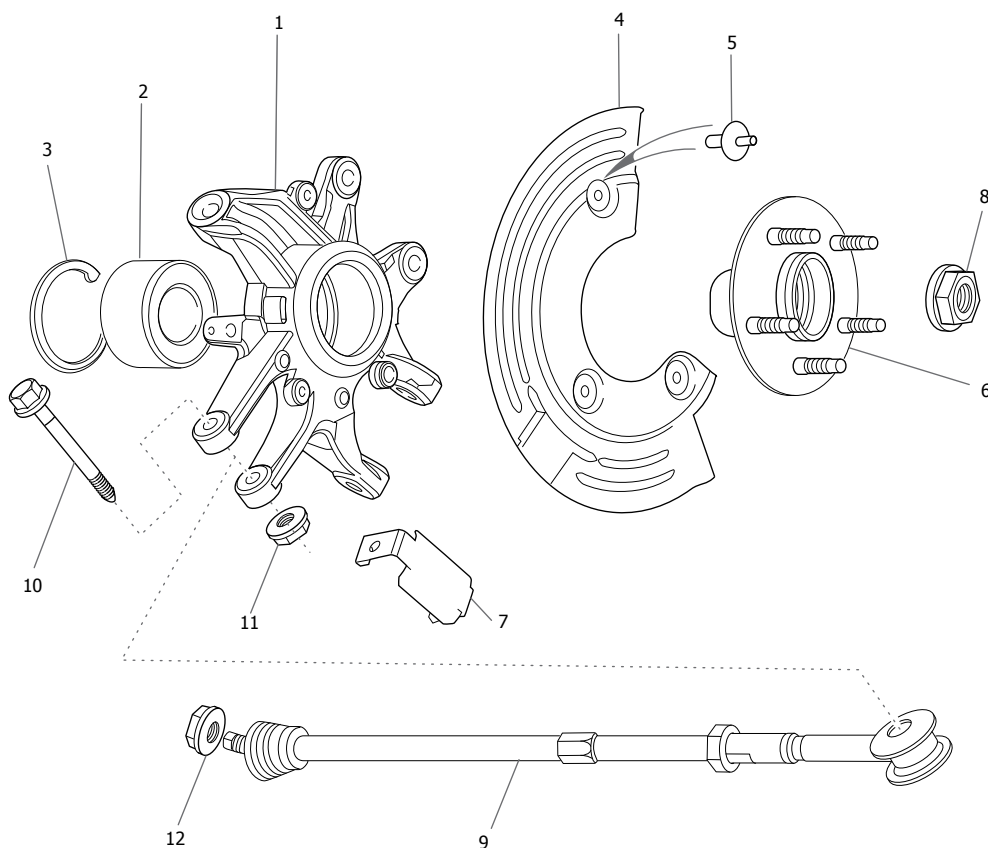
1	Anti Roll Bar		
	All except 3.0 Petrol	XR835524	1
	3.0 Petrol	C2D22337	1
2	Anti Roll Bar Mounting Bush		
	All except V8 Models	C2C20469	2
	V8 Models	C2C20470	2
3	Anti Roll Bar Bracket	XR81837	2
4	Special Nut	XR848057	2
5	Flange Head Bolt	XR853292	2
6	Anti Roll Bar Link		
	LH	C2D49529	1
	RH		
	To VIN H11536	C2C18571	1
	From VIN H11537	C2D49528	1
7	Flanged Nut	XR848057	2
8	Cable Clip	C2C12162	2
9	Deflector		
	All except 4.2 Supercharged	C2D20594	2



REAR SUSPENSION

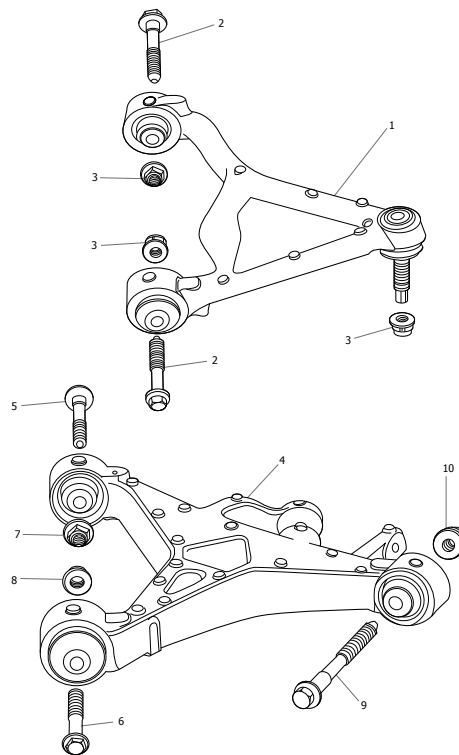
REAR HUB & CARRIER

1	Hub Carrier		2	Wheel Bearing	XR81723	2
	LH all except 4.2 Supercharged		3	Retaining Clip	C2C6632	2
	To VIN G41511	C2C1121	4	Disc Shield		
	From VIN G41512	C2C33604		LH to VIN G49700	XR82136	1
	LH 4.2 Supercharged			LH VIN G49701 to H16927	C2C26915	1
	To VIN G41511	C2C5460		LH from VIN H16928	C2C35785	1
	From VIN G41512 to G49700	C2C24303		RH to VIN G49700	XR82135	1
	From VIN G49701	C2C33604		From VIN G49701	C2C35784	1
	RH all except 4.2 Supercharged		5	Blind Rivet	XR817594	A/R
	To VIN G41511	C2C1120	6	Wheel Hub	C2C28417	2
	From VIN G41512	C2C33603	7	Hub Carrier Shield	C2C10113	2
	RH 4.2 Supercharged		8	Hub Nut	C2P12731	2
	To VIN G41511	C2C5459	9	Stabilising Link	C2D51044	2
	From VIN G41512 to G49700	C2C24301	10	Flange Head Bolt	XR853290	2
	From VIN G49701	C2C33603	11	Flanged Nut	XR848057	2
			12	Flanged Nut	C2P7444	2



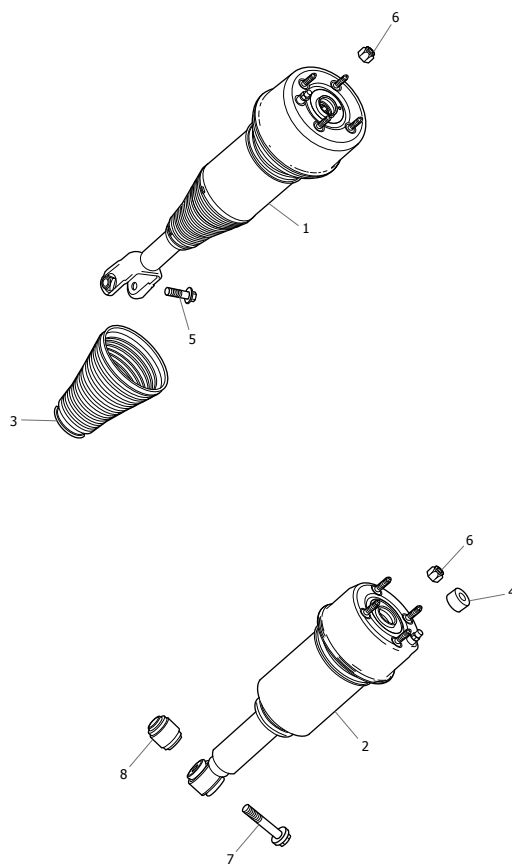
REAR WISHBONES

1	Upper Wishbone Arm		
	LH	C2C41963	1
	RH	C2C41962	1
2	Flange Head Bolt	C2P22187	2
3	Flanged Nut	C2S42348	2
4	Wishbone Arm Rear		
	LH to VIN G41511	C2C21164	1
	LH from VIN G41512	C2C39586	1
	RH to VIN G41511	C2C21162	1
	RH from VIN G41512	C2C39585	1
5	Bolt	C2D8255	2
6	Flange Head Bolt	C2P7446	2
7	Flange Nut	C2P7445	2
8	Flange Nut	C2P7324	2
9	Flange Head Bolt	XR853289	2
10	Nut & Washer	XR853342	2



AIR SUSPENSION DAMPERS

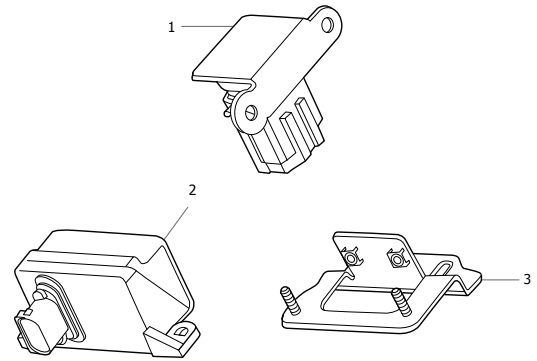
1	Air Spring and Damper Front		
	Comfort Suspension		
	To VIN G35210	C2C41347	2
	VIN G35211 to VIN G49700	C2C41349	2
	From VIN G49701	C2C41339	2
	Sports Suspension		
	To VIN G49700	C2C41352	2
	From VIN G49701	C2C41354	2
2	Air Spring and Damper Rear		
	Comfort Suspension		
	To VIN G35210	C2C41340	2
	VIN G35211 to VIN G49700	C2C41341	2
	From VIN G49701	C2C41343	2
	Sports Suspension	C2C41346	2
3	Damper Gaiter with Clips	C2C12560	2
4	Seal Rear Suspension	C2C18729	2
5	Bolt	C2P5886	2
6	Flange Nut	C2P7191	2
7	Bolt	C2P5886	8
8	Damper Bush	C2D4013	2



REAR SUSPENSION

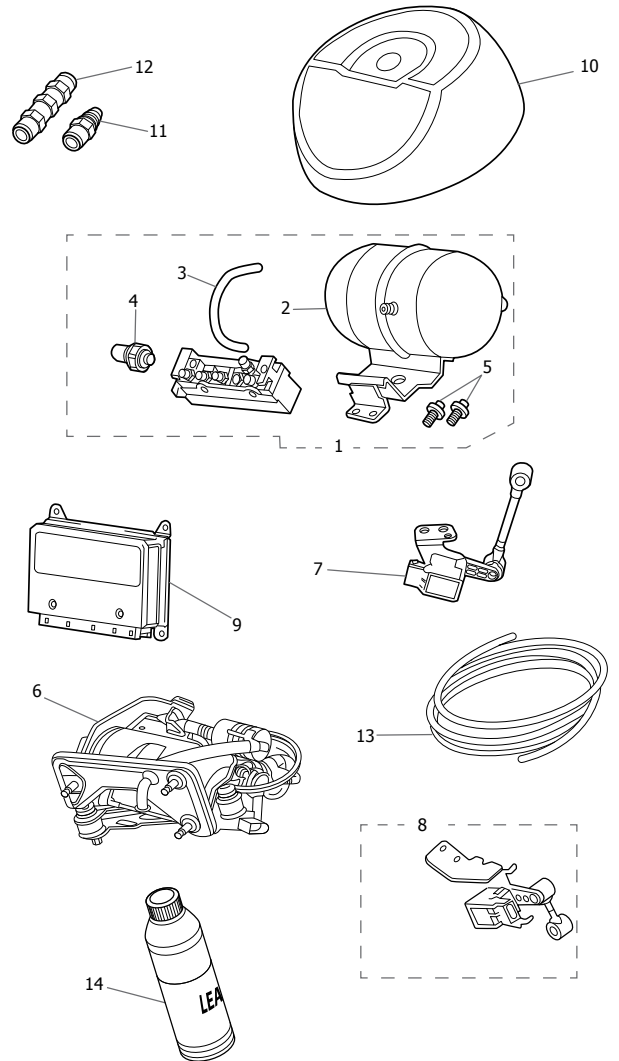
ADAPTIVE DAMPING CONTROL

1	Accelerometer	C2C28124	2
2	Yaw Rate Sensor	C2C34671	2
3	Mounting Bracket	C2C21260	1



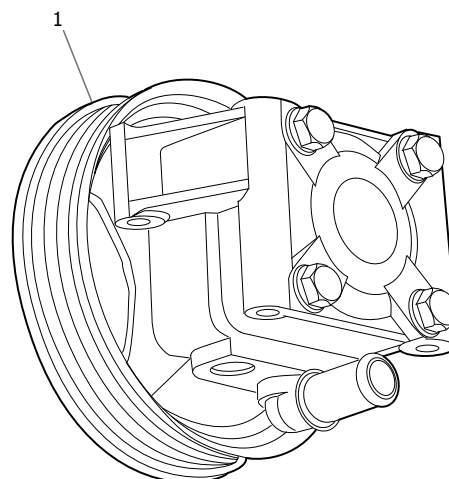
AIR SUPPLY & SENSORS

1	Valve Block	C2C35166	1
2	Reservoir	C2C9929	1
3	Air Tube	C2C9925	1
4	Solenoid	C2C2241	1
5	Valve Block Isolator Kit	C2C9926	2
6	Compressor	C2C27702	1
7	Rear Sensor		
	LH	C2C40511	1
	RH	C2C40512	1
8	Front Sensor		
	LH	C2C40510	1
	RH	C2C2242	1
9	Electronic Control Module	C2C37299	1
10	Cover	C2C2266	1
11	End Connector		
	4mm	C2C9930	A/R
	6mm	C2C9931	A/R
12	Inline Connector		
	4mm	C2C14901	A/R
	6mm	C2C9932	A/R
13	Air Tube supplied as 4m length	C2C13881	1
14	Leak Detection Spray 400ml	C2C22398	1



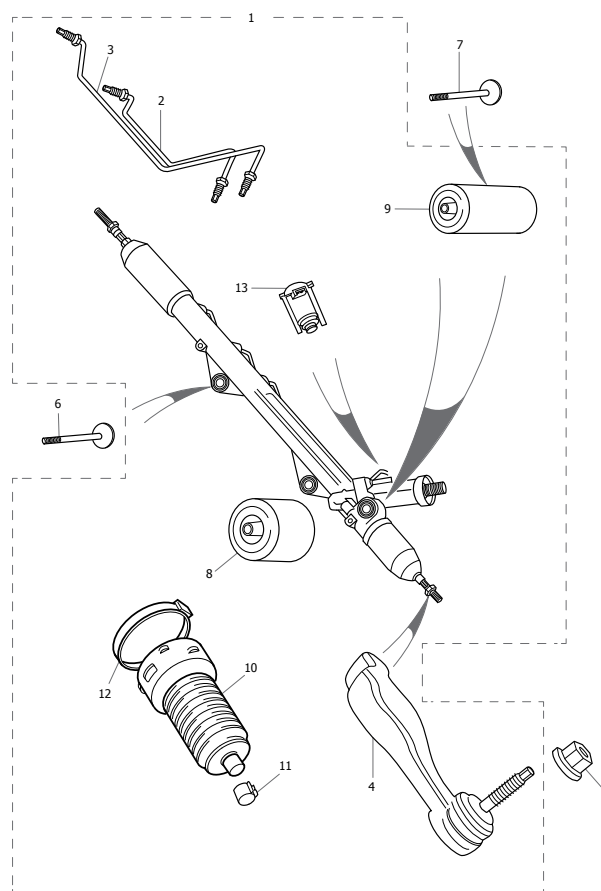
POWER STEERING PUMP

1	Power Steering Pump		
	3.0 Petrol	C2C35302	1
	4.2 Petrol	C2C34135	1
	Diesel	C2C36768	1



STEERING RACK

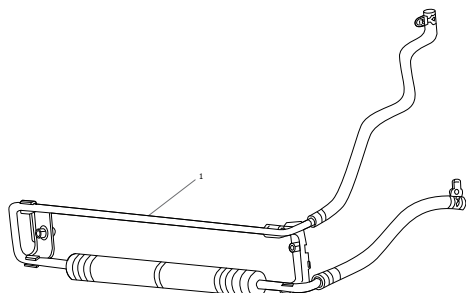
1	Steering Rack LHD	C2C38670	1
	Steering Rack RHD	C2C38669	1
2	Transfer Pipe Short		
	LHD	XR830012	1
	RHD	XR830011	1
3	Transfer Pipe Long		
	LHD	XR830010	1
	RHD	XR830013	1
4	Steering Ball Joint (Track Rod End)		
	LH	C2C35783	1
	RH	C2C20176	1
5	Ball Joint Flanged Nut (M12)	C2Z2224	2
6	Mounting Screw/Washer (M12x105mm)	XR835593	2
7	Mounting Bolt (M12x70mm)	C2P7272	1
8	Lower Insulator Bush	XR837779	2
9	Upper Insulator Bush	XR837780	1
10	Steering Rack Gaiter		
	Driver's Side	XR830016	1
	Passenger Side	XR830015	1
11	Outer Clamp	XR87393	2
12	Inner Clamp	XR86545	2
13	Transducer	XR830017	1



STEERING

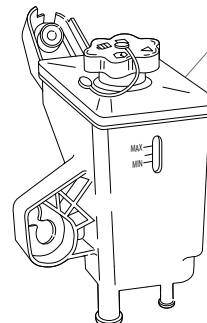
POWER STEERING OIL COOLER

- 1 Power Steering Oil Cooler C2C16119



POWER STEERING RESERVOIR

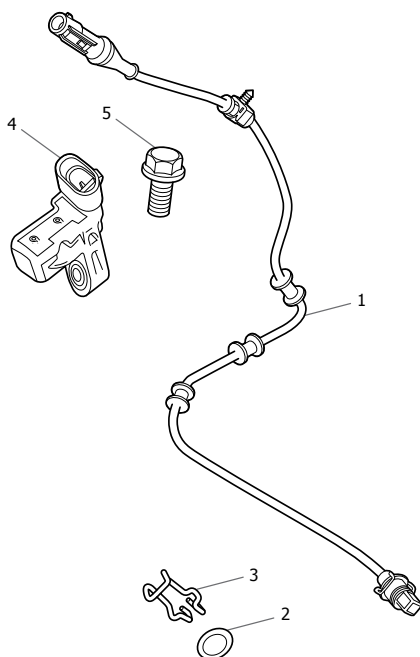
- 1 Power Steering Reservoir C2C36109



BRAKING

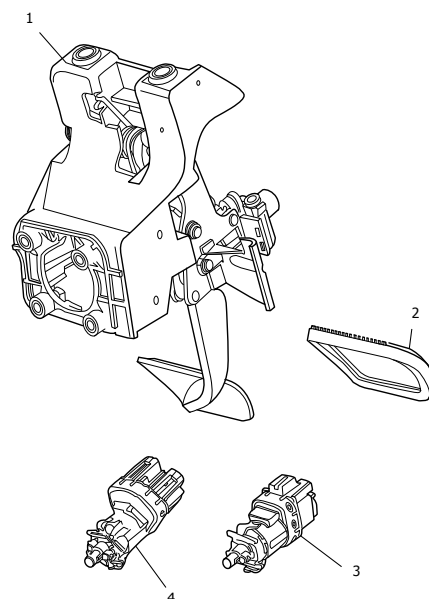
FRONT SPEED SENSOR

- | | | | |
|---|--------------------------|----------|---|
| 1 | Front Wheel Speed Sensor | C2C34640 | 2 |
| 2 | Sensor O Ring | C2C13788 | 2 |
| 3 | Sensor Clip | C2C13789 | 2 |
| 4 | Rear Wheel Speed Sensor | XR822753 | 2 |
| 5 | Sensor Bolt (M6x20mm) | C2Z1859 | 2 |



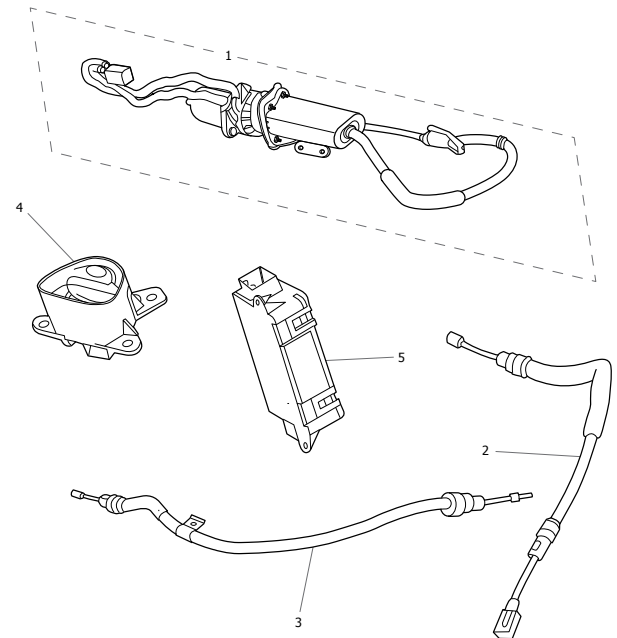
BRAKE PEDAL

- | | | | |
|---|-----------------------|----------|---|
| 1 | Brake Pedal Assembly | | |
| | LHD | C2C29412 | 1 |
| | RHD | C2C29413 | 1 |
| 2 | Brake Pedal Pad | C2C8367 | 1 |
| 3 | Speed Control Switch | C2S46706 | 1 |
| 4 | Brake Stoplamp Switch | C2C36874 | 1 |



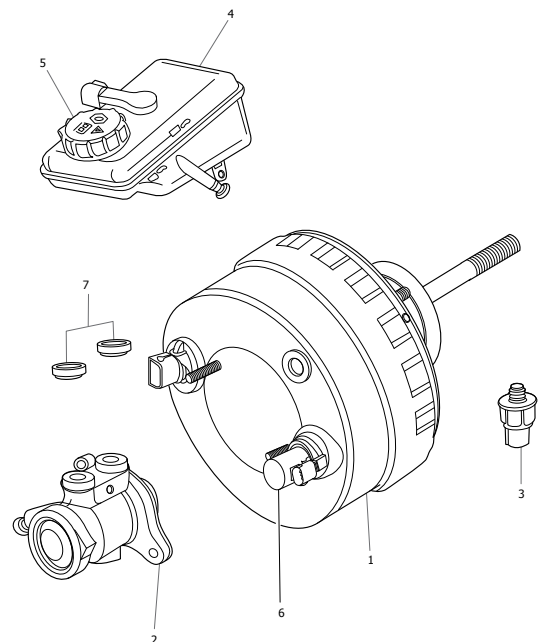
ELECTRONIC PARK BRAKE

1	Electronic Park Brake Non-Supercharged	C2C40572	
	Supercharged		
	To VIN G49700	C2C38667	1
	From VIN G49701	C2C40572	1
2	Park Brake Cable LH Non-Supercharged	C2C27653	1
	Supercharged		
	To VIN G49700	XR852340	1
	From VIN G49701	C2C31911	1
3	Park Brake Cable RH Non-Supercharged	C2C27650	1
	Supercharged		
	To VIN G49700	XR852339	1
	From VIN G49701	C2C31910	1
4	Park Switch		
	To VIN G49700	C2C25667	1
	From VIN G49701	C2C26857	1
5	Electronic Control Module		
	To VIN G49700	C2C33376	1
	From VIN G49701	C2C439403	1



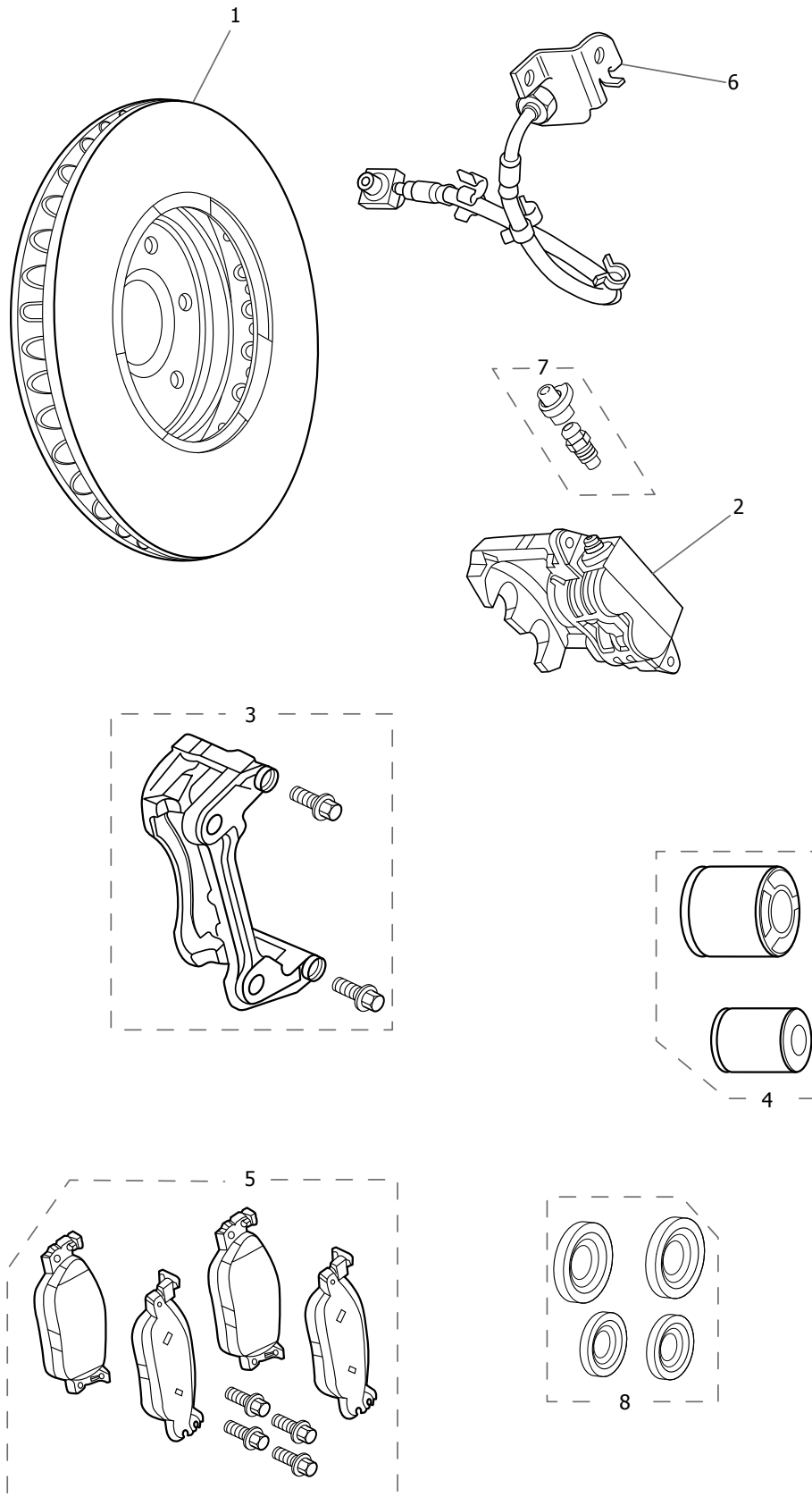
BRAKE BOOSTER

1	Brake Booster	Contact us	1
2	Brake Master Cylinder LHD		
	To VIN G49700	XR828105	1
	From VIN G49701	C2C35765	1
	RHD		
	To VIN G49700	XR829712	1
	From VIN G49701	C2C35766	1
3	Transducer	XR828106	1
4	Brake Fluid Reservoir	XR834952	1
5	Reservoir Cap	XR824768	1
6	Pedal Travel Sensor	C2C39935	1
7	Reservoir Seal	C2C41382	2



FRONT BRAKE DISCS & CALIPERS

1	Front Brake Disc Kit to VIN G49700 Non-Supercharged 320mm Disc	C2C8354	1	4	Piston Service Kit to VIN G49700 Non-Supercharged	XR810511	2
	Front Brake Disc Kit from VIN G49701 Non Supercharged 326mm Disc	C2C25336	1		Seal Kit to VIN G49700 Non-Supercharged	XR810514	1
	Front Brake Disc Kit to VIN G49700 4.2 Supercharged	C2C8355			Brake Caliper Service Kit from VIN G49701	C2C27274	1
	Front Brake Disc Kit from VIN G49701 Supercharged 355mm Disc	C2C25337	1	5	Brake Pad Kit to VIN G49700 Non-Supercharged	C2C23786	1
2	Caliper Non-Supercharged to VIN G49700				Brake Pad Kit to VIN G49700 Supercharged	C2C24018	1
	LH	C2C12071	1		Brake Pad Kit from VIN G49701 Supercharged 355mm Disc	C2C40926	1
	RH	C2C12070	1		Brake Pad Kit from VIN G49701 Non-Supercharged 326mm Disc	C2C39929	1
	Caliper Housing from VIN G49701 Non Supercharged 326mm Disc			6	Front Flexible Hose to VIN G49700 Non-Supercharged		
	LH	C2C27284	1		LH	C2C12624	1
	RH	C2C27282	1		RH	C2C12621	1
	Caliper Housing (From VIN G49701) Supercharged 355mm Disc				Front Flexible Hose to VIN G49700 Supercharged		
	LH Silver	C2C27285	1		LH	C2C12632	1
	LH Black	C2P15168	1		RH	C2C12629	1
	RH Silver	C2C27283	1		Front Flexible Hose from VIN G49701 Non-Supercharged 326mm Disc		
	RH Black	C2P15167	1		LH	C2C33818	1
3	Anchor Bracket to VIN G49700 Non-Supercharged				RH	C2C33814	1
	LH	XR830136	1		Front Flexible Hose from VIN G49701 Supercharged 355mm Disc		
	RH	C2C8345	1		LH	C2C33819	1
	Anchor Bracket from VIN G49701 Non-Supercharged 326mm Disc				RH	C2C33815	1
	LH	C2Z7845	1	7	Bleed Screw	XR810512	2
	RH	C2Z7844	1	8	Caliper Seal Kit	XR810514	2
	Anchor Bracket from VIN G49701 Supercharged 355mm Disc						
	LH Silver	C2C34141	1				
	LH Black	C2P12426	1				
	RH Silver	C2C34140	1				
	RH Black	C2P12425	1				

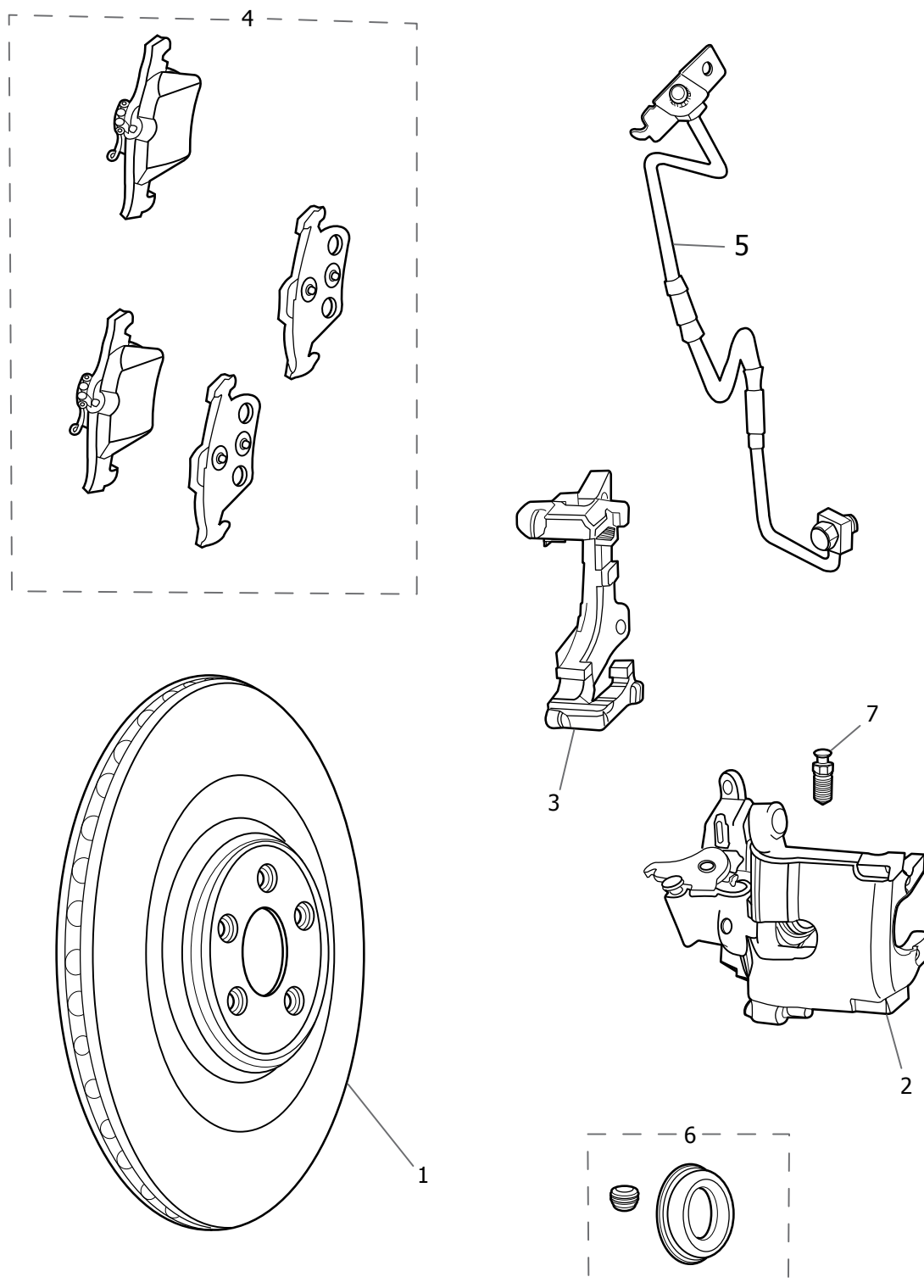


BRAKING

REAR BRAKE DISCS & CALIPERS

1	Rear Brake Disc Kit to VIN G49700 Non-Supercharged	XR858224	1	3	Anchor Bracket To VIN G49700 Non-Supercharged	C2C12386	2
	Rear Brake Disc Kit to VIN G49700 4.2 Litre Supercharged	C2C8356	1		From VIN G49701 Non-Supercharged 326mm Disc	C2C27289	2
	Rear Brake Disc Kit from VIN G49701	C2D26352	1		From VIN G49701 Silver	C2C27289	2
2	Rear Caliper Housing Non-Supercharged to VIN G49700				Black	C2P12428	2
	LH	C2C8344	1	4	Rear Brake Pad Kit Non-Supercharged	C2D48654	
	RH	C2C8343	1		Supercharged to VIN G49700	C2C24016	1
	Supercharged to VIN G49700				Supercharged from VIN G49701	C2D48654	
	LH with Jaguar Logo	C2C8359	1	5	Rear Flexible Hose To VIN G49700 Non-Supercharged		
	LH without Jaguar Logo	C2C8360	1		LH	C2C8908	1
	RH with Jaguar Logo	C2C8357	1		RH	C2C8906	1
	RH without Jaguar Logo	C2C8358	1		To VIN G49700 Supercharged		
	Non Supercharged from VIN G49701	C2D35335	1		LH	C2C6169	1
	LH	C2D35333	1		RH	C2C6168	1
	RH				From VIN G49701		
	Supercharged from VIN G49701				LH	C2C37052	1
	LH Silver	C2C29166	1		RH	C2P14733	1
	LH Black	C2P12433	1	6	Brake Caliper Service Kit	C2C27275	2
	RH Silver	C2C29164	1	7	Bleed Screw	C2C8366	2
	RH Black	C2P12432	1				

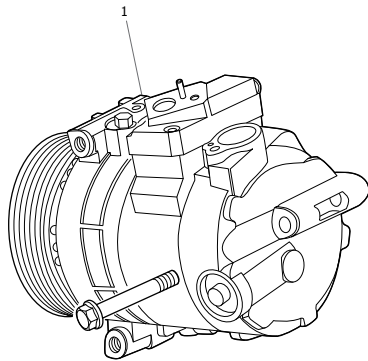




AIR CON & HEATING

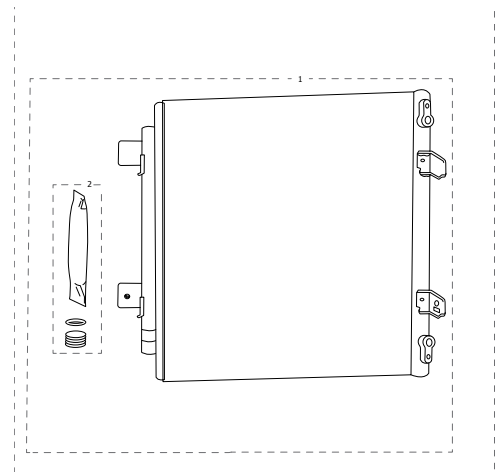
AIR CON COMPRESSOR

1	Air Con Compressor		
	V6 Petrol		
	Without Rear Seat Climate Control	C2C26770	1
	With Rear Seat Climate Control	C2C26772	1
	V8 Petrol		
	Without Rear Seat Climate Control	C2C39500	1
	With Rear Seat Climate Control	C2C39501	1
	2.7 Diesel	C2C39502	1



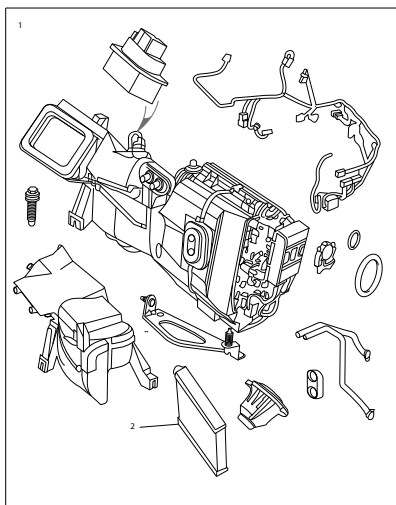
CONDENSER

1	Condenser		
	Petrol Engines	C2C26832	1
	2.7 Diesel	C2C30457	1
2	Desiccant Bag		
	Petrol Engines	C2C15230	1
	2.7 Diesel	C2C30629	1



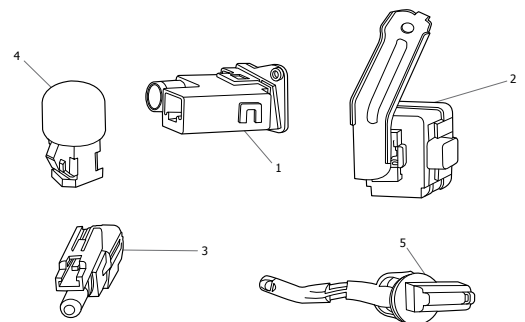
BLOWER MOTOR & HOUSING

1	Evaporator & Blower		
	RHD	C2C7070	1
	LHD	C2C7069	1
2	Heater Matrix	C2C7071	1



AIR CONDITIONING SENSORS

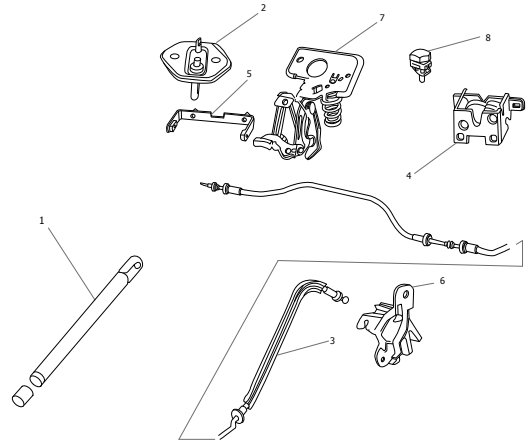
1	Temperature Sensor	C2C8270	1
	Steering Column		
2	In Car Sensor	C2C35548	1
3	Ambient Air Temperature Sensor	LJA7605AB	1
4	Solar Sensor	C2C2905	1
5	Evaporator Sensor	C2C7081	1



BODY CLOSURES & SEALS

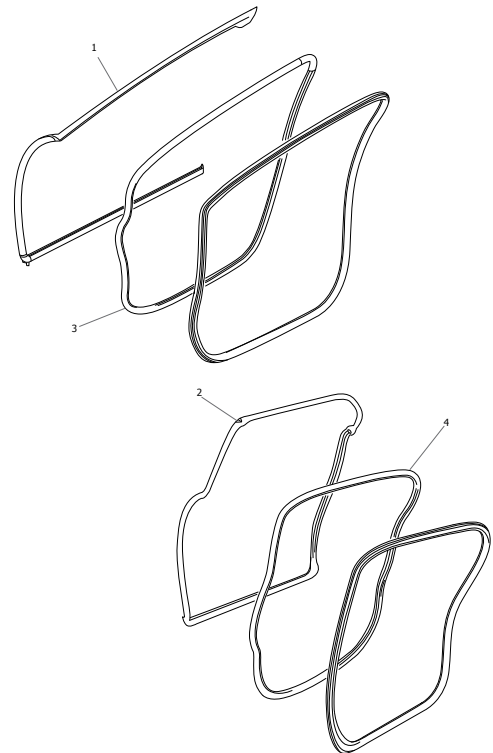
BONNET FITTINGS

1	Bonnet Strut	C2C2895	2
2	Bonnet Lock Striker	C2C35415	1
3	Bonnet Release Cable	C2C34776	1
4	Primary Bonnet Latch	C2C3123	2
5	Mounting Plate	C2C10106	2
6	Bonnet Release Handle	C2C4468	1
7	Bonnet Latch Secondary	C2C23968	1
8	Bonnet Buffer	C2P8967	2



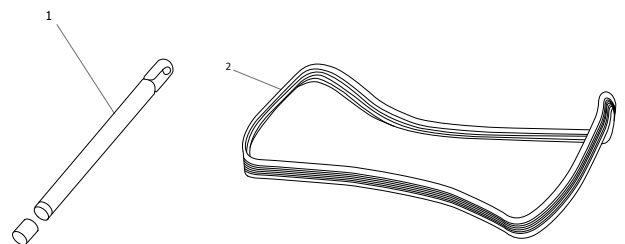
DOOR SEALS

1	Front Door Margin Seal		
	LH	C2C33737	1
	RH	C2C33736	1
2	Rear Door Margin Seal		
	LH SWB	C2C28076	1
	RH SWB	C2C28074	1
	LH LWB	C2C28077	1
	RH LWB	C2C28075	1
3	Front Primary Door Seal		
	LH	C2C2386	1
	RH	C2C2385	1
4	Rear Primary Door Seal		
	LH SWB	C2C28445	1
	RH SWB	C2C28444	1
	LH LWB	C2C28390	1
	RH LWB	C2C28389	1



BOOT CLOSURES

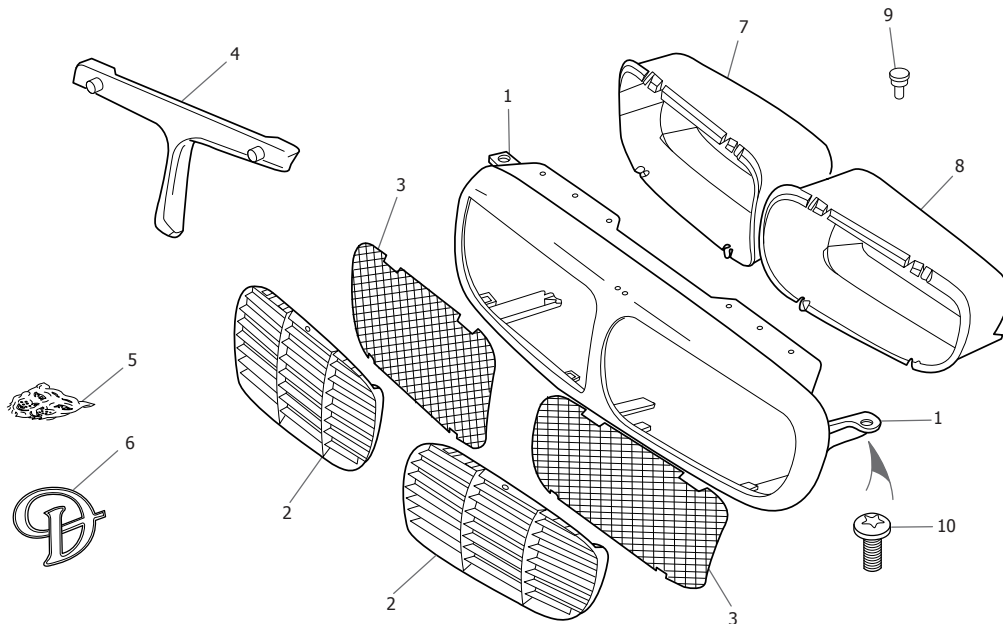
1	Boot Lid Strut	C2C38869	1
2	Boot Lid Seal	C2C24495	1



BODY FITTINGS

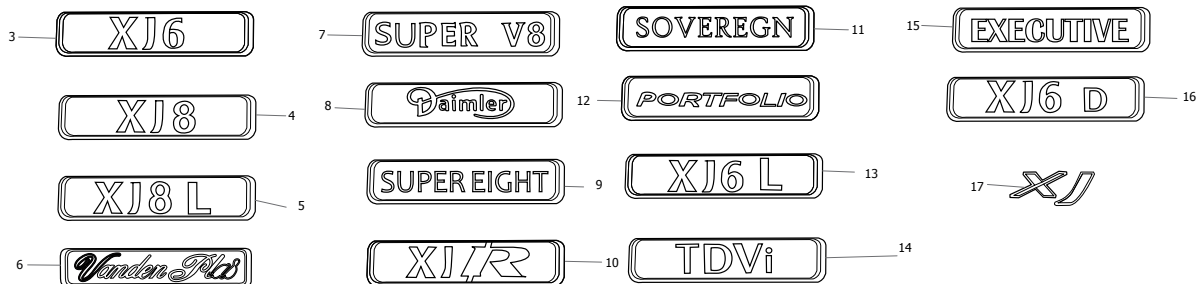
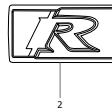
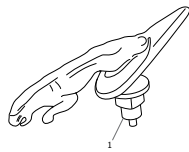
RADIATOR GRILLE

Up to VIN H18679				From VIN H18680			
1	Radiator Grille Surround			1	Radiator Grille Surround		
	Daimler	C2C31687	1		Daimler Chrome	C2C31687	1
	Jaguar Chrome	C2C18703	1		Jaguar Primer Painted	C2C36778XXX	1
	Jaguar Primer Painted	C2C11748XXX	1	3	Radiator Grille Mesh		
2	Radiator Grille Vane Block				Daimler LH	C2C11799	1
	Daimler Chrome LH	C2C11799	1		Daimler RH	C2C11797	1
	Daimler Chrome RH	C2C11979	1		Jaguar LH	C2C36782	1
	Jaguar Chrome LH	C2C11800	1		Jaguar RH	C2C36780	1
	Jaguar Chrome RH	C2C11798	1	4	Stiffener		
	XJ Sport Dorchester Grey LH	C2C11747	1		Daimler	C2C18702	1
	XJ Sport Dorchester Grey RH	C2C11746	1		Jaguar	C2C36779	1
3	Radiator Grille Mesh			5	Jaguar Grille Badge	C2C38927	1
	XJR LH	C2C11805	1	6	Daimler Grille Badge	C2C28832	1
	XJR RH	C2C11804	1	7	Air Duct LH		
4	Stiffener	C2C18702	1		Daimler	C2C11802	1
5	Jaguar Grille Badge	C2C25678	1		Jaguar	C2C36787	1
6	Daimler Grille Badge	C2C28832	1	8	Air Duct RH		
7	Air Duct LH	C2C11802	1		Daimler	C2C11801	1
8	Air Duct RH	C2C11801	1		Jaguar	C2C36786	1
9	Buffer	C2C11803	8	9	Buffer	C2C36788	8
10	Screw	JDE5359	2	10	Screw	JDE5359	2



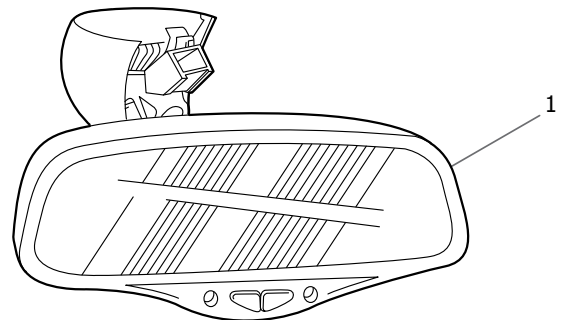
BOOT BADGES

1	Leaping Jaguar	C2C39767	1	10	XJR		
2	Wing Badge	C2N2446	2		To VIN H11536	C2C17377	1
3	XJ6	C2C10396	1		From VIN H11537	C2C38933	1
4	XJ8	C2C10397	1	11	Sovereign		
5	XJ8 L T	C2C24047	1		To VIN H18679	C2C29393	1
6	Vanden Plas				From VIN H18680	C2C38931	1
	To VIN H11536	C2C10399	1	12	Portfolio	C2C40475	1
	From VIN H11537	C2C38929	1	13	XJ6 L	C2C28535	1
7	Super V8			14	TDVi	C2C33392	1
	To VIN H11536	C2C17378	1	15	Executive		
	From VIN H11537	C2C38930	1		LH	C2C38932	1
8	Daimler	C2C10398	1		RH	C2C33393	1
9	Super 8	C2C28728	1	16	XJ6 D	C2C26843	1
				17	XJ	C2C38928	1



INTERIOR MIRRORS

1	Mirror		
	With compass		
	To VIN G49700	C2C23847	1
	From VIN G49701	C2C31113	1
	Without compass		
	To VIN G49700	C2P2869	1
	From VIN G49701	C2D16252	1

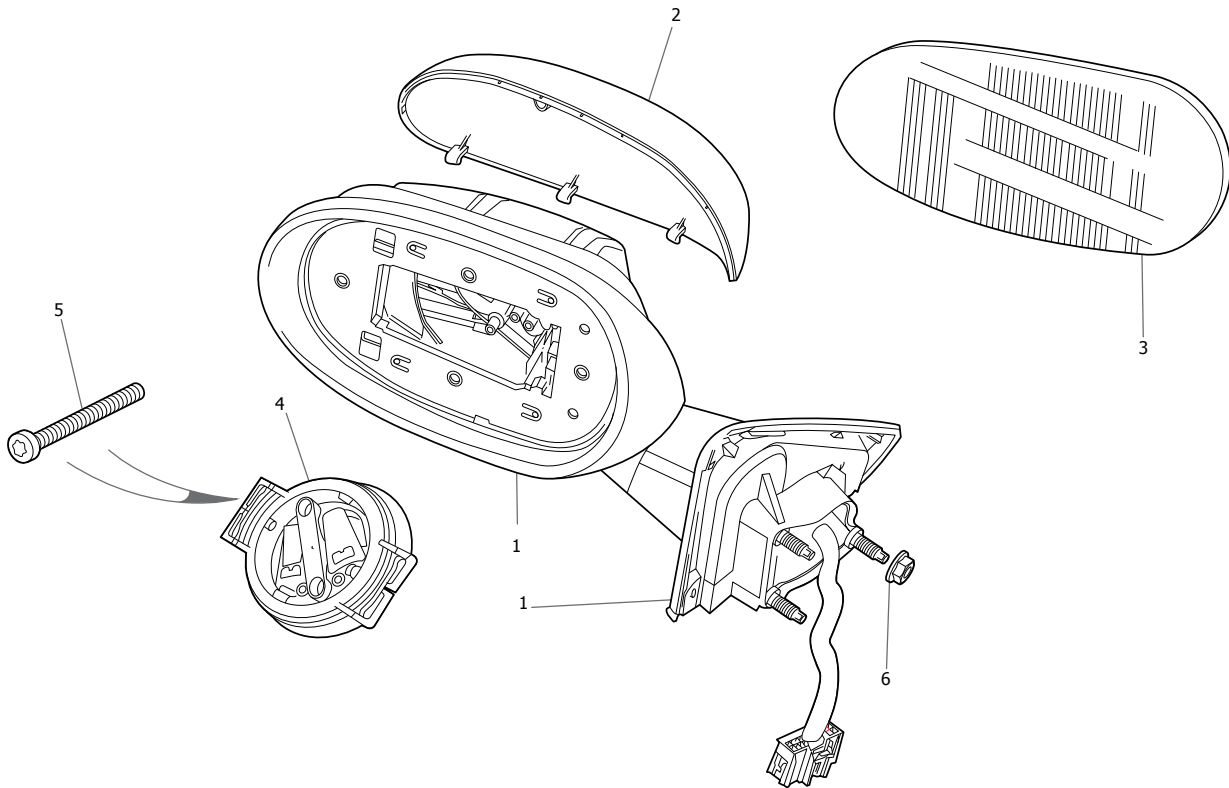


BODY FITTINGS

DOOR MIRRORS

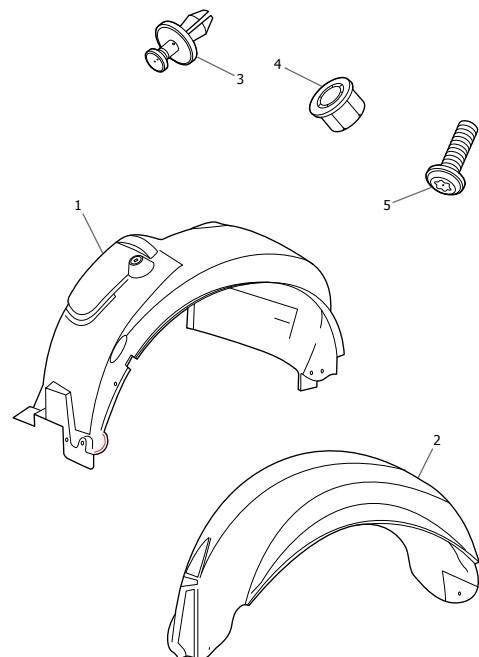
1	Memory Mirrors with Powerfold						
	LH to VIN H18679	C2C39416	1				
	LH from VIN H18680 LHD	C2C37110	1				
	LH from VIN H18680 RHD	C2C37109	1				
	RH to VIN H18679	C2C39415	1				
	RH from VIN H18680 LHD	C2C37108	1				
	RH from VIN H18680 RHD	C2C37107	1				
	Memory Mirrors no Powerfold						
	LH to VIN H18679	C2C39414	1				
	LH from VIN H18680 LHD	C2C37105	1				
	LH from VIN H18680 RHD	C2C37104	1				
	RH to VIN H18679	C2C39413	1				
	RH from VIN H18680 LHD	C2C37102	1				
	RH from VIN H18680 RHD	C2C37104	1				
2	Mirror Backcover Primer Painted						
	LH to VIN H18679	C2S39141XXX	1				
	LH from VIN H18680	C2C39495XXX	1				
	RH to VIN H18679	C2S39140XXX	1				
	LH from VIN H18680	C2C39492XXX	1				
	Mirror Backcover Chrome						
	LH to VIN H18679	C2C9191	1				
	LH from VIN H18680	C2C39497	1				
	RH to VIN H18679	C2C9189	1				
	RH from VIN H18680	C2C39494	1				
3	Mirror Glass to VIN H18679						
	Flat without Warning	C2S43253	1				
	Convex without Warning	C2S43254	1				
	Convex with Warning LH	XR855192	1				
	Convex with Warning RH	C2S43256	1				
	Electrochromatic Flat without Warning	XR822518	1				
	Electrochromatic Convex without Warning	XR822519	1				
	Electrochromatic Convex with Warning LH	XR822522	1				
	Electrochromatic Convex with Warning RH	XR822521	1				
	Mirror Glass from VIN H18680						
	Electrochromatic Flat without Warning LH only	C2C37097	1				
	Convex without Warning LH	C2Z31946	1				
	Convex without Warning RH	C2Z31945	1				
	Electrochromatic Convex without Warning LH	C2C37096	1				
	Electrochromatic Convex without Warning RH	C2C37095	1				
	Electrochromatic Convex with Warning RH only	C2C37099	1				
4	Motor						
	Memory Mirrors						
	To VIN H18679	C2P11142	1				
	From VIN H18680	C2C37100	1				
	Without Memory Mirrors						
	To VIN H18679	C2S45221	1				
5	Screw	C2S11785	6				
6	Nut						
	To VIN H18679	C2Z1312	6				
	From VIN 18680	XR849704	4				

DOOR MIRRORS (CONT.)



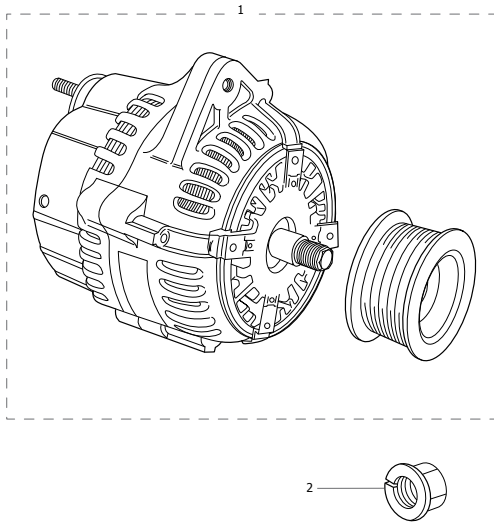
WHEELARCH LINER

1	Front Wheelarch Liner		
	LH Front		
	To VIN H18679	C2C36981	1
	From VIN H18680	C2C36992	1
	RH Front		
	To VIN H18679	C2C39680	1
	From VIN H18680	C2C396991	1
2	Rear Wheelarch Liner		
	LH	C2C1574	1
	RH	C2C1573	1
3	Rivet	C2C3564	10
4	Plastic Nut	XR87606	6
5	Bolt	XR82059	4



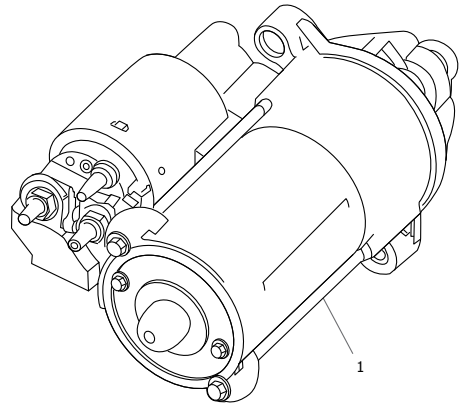
ALTERNATOR

1	Alternator Body		
	V6 Petrol	XR837164	1
	V8 Petrol		
	To VIN H11299	C2C19630	1
	From VIN H11300	C2P1974	1
	2.7 Litre Diesel	XR837164	1
2	Nut	XLJB1853AA	1



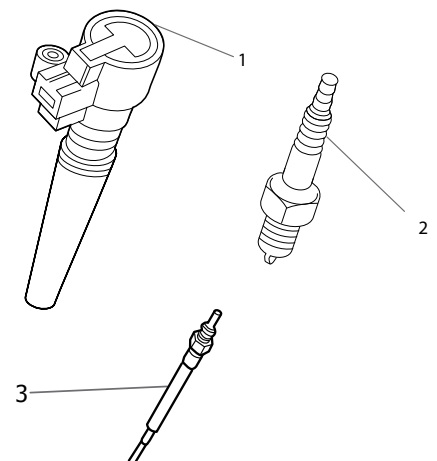
STARTER MOTOR

1	Starter Motor Body		
	V6 Petrol	C2C37198	1
	V8 Petrol	AJ83990	1
	2.7 Litre Diesel	C2D51168	1
	Cars up to VIN H24092 will also require bracket C2D2793		



IGNITION

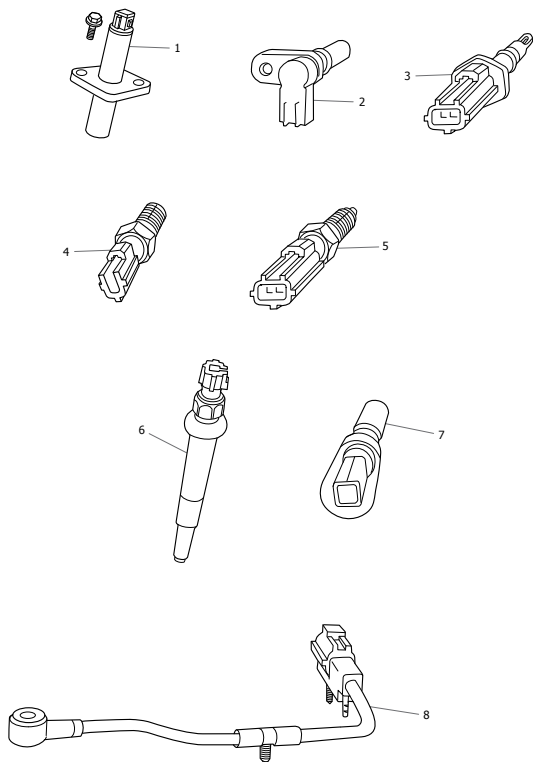
1	On Plug Ignition Coil		
	V6 Petrol	C2S42673	6
	V8 Petrol	AJ810445	8
2	Spark Plug		
	V6 Petrol	C2S46895	6
	V8 Petrol	C2A1535	8
3	Glow Plug	JDE3926	6
NS	Glow Plug Control Module	C2S24037	1



ENGINE SENSORS

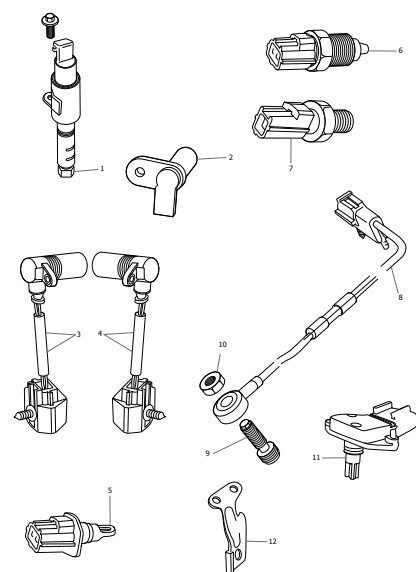
V6 Petrol

1	VVT Solenoid Valve	AJ810570	2
2	Crankshaft Position Sensor	XR829578	1
3	Air Intake Temperature Sensor	XR810205	1
4	Oil Pressure Switch	C2S52255	1
5	Coolant Temperature Sensor	XR858700	1
6	Cylinder Head Temperature Sensor	XR813484	1
7	Camshaft Position Sensor	XR853846	1
8	Knock Sensor Engine Top		
	To VIN G49700	AJ85676	1
	From VIN G49701	LRA1692DB	1
NS	Knock Sensor Engine Side		
	To VIN G49700	XR835380	1
	From VIN G49701	XR84685	1
NS	Fuel Pressure Sensor	AJ87977	1
NS	Fuel Temperature Sensor	AJ810514	1
NS	MAP Sensor	AJ82763	1



V8 Petrol

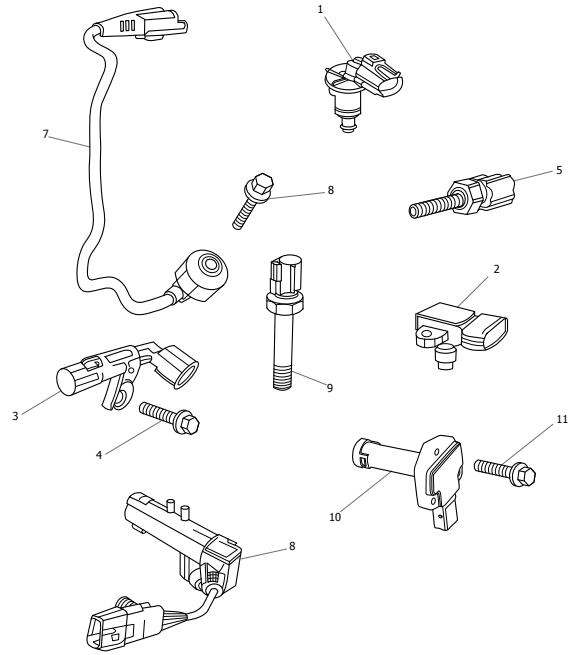
1	VVT Solenoid Valve	AJ810570	1
2	Crankshaft Position Sensor	AJ81284	1
3	Camshaft Position Sensor		
	LH B-Bank	AJ84290	1
	RH A-Bank	LRA1646BC	1
4	Air Temperature Sensor	AJ83678	1
5	Coolant Temperature Sensor		
	M18 Screw Fit	XR858700	1
	Push Fit	AJ88655	1
6	Oil Pressure Switch	C2S42616	1
7	Knock Sensor Supercharged		
	To VIN G49700	AJ85676	2
	From VIN G49701	AJ89189	1
8	Knock Sensor Naturally Aspirated		
	LH B-Bank	AJ85676	1
	RH A-Bank	AJ84433	1
9	Stud	NRA1268AA	2
10	Nut	JFN10804B	2
11	MAP Sensor		
	Supercharged 1 Hole Fixing	AJ812337	1
	Supercharged 2 Hole Fixing	AJ82763	1
	Naturally Aspirated	C2C22616	1



ENGINE SENSORS (CONT.)

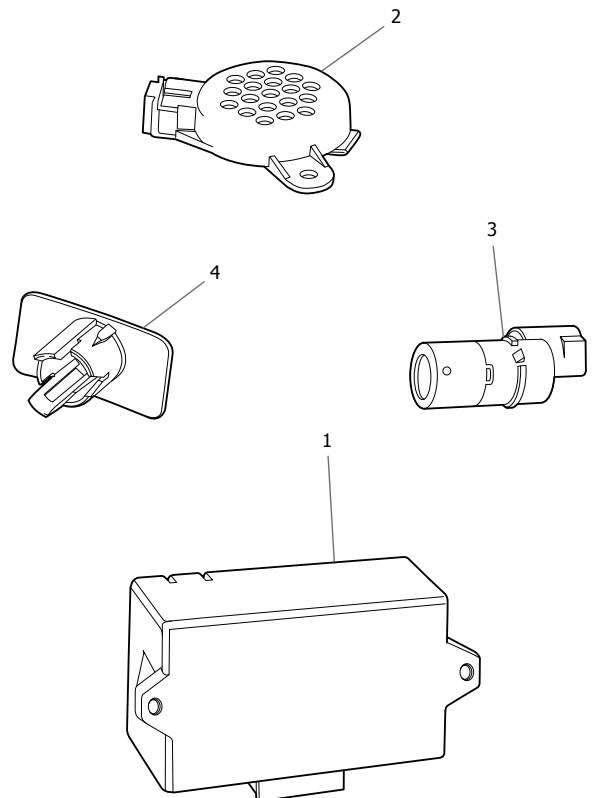
2.7 Litre Diesel

1	Coolant Temperature Sensor From VIN H00321	JDE1634	1
2	MAP Sensor	C2P19377	1
3	Camshaft Position Sensor	C2C37161	1
4	Screw	C2Z1859	1
5	Temperature Sensor Sump	C2S31359	1
6	Knock Sensor	C2S29878	1
7	Bolt	XR838683	1
8	Crankshaft Position Sensor	C2S51271	1
9	Oil Pressure Switch	JDE3131	1
10	Oil Low Level Sensor	C2S21861	1
11	Screw	JZS100085	1



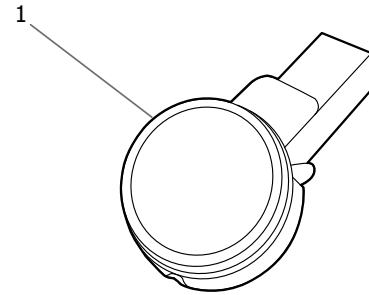
PARKING SENSORS

1	Reversing Aid Module Rear Parking Sensors only To VIN H18679	C2C20921	1
	From VIN H18680 to H29531	C2C37306	1
	Front Parking Sensors only To VIN H18679	C2C20922	1
	From VIN H18680 to H29531	C2C37307	1
	Front & Rear Parking Aid From VIN H29532	C2C37307	1
2	Reversing Aid Speaker	C2N2421	1
3	Sensor	C2C29376XXX	4/8
4	Front Sensor Mounting Bracket LH Inner	C2C7498XXX	1
	LH Outer	C2C7500XXX	1
	RH Inner	C2C7499XXX	1
	RH Outer	C2C7497XXX	1

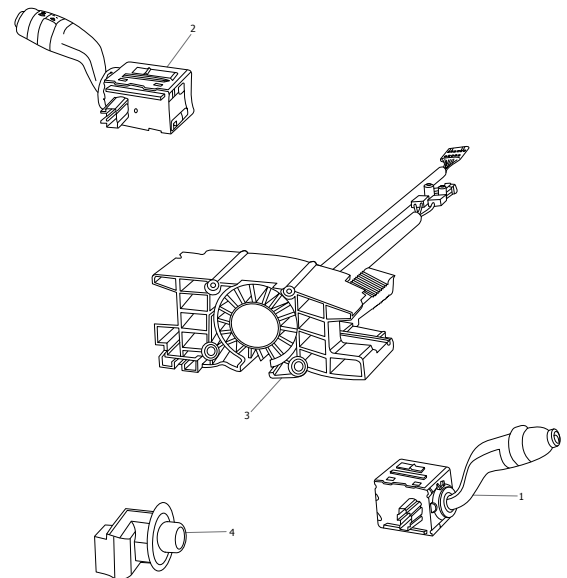


OTHER SENSORS

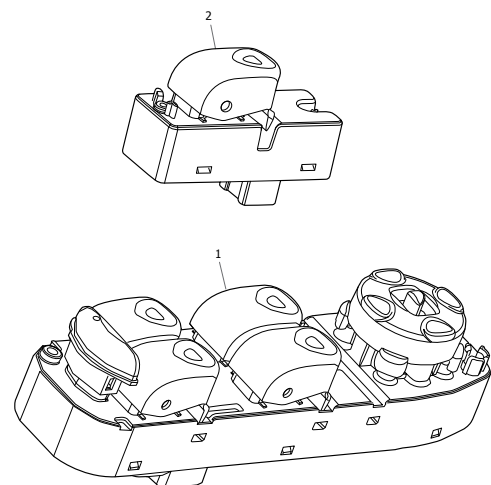
1	Rain Sensor		
	To VIN G12877	C2S12594	1
	From VIN G12878	C2C22454	1



1	Indicator Switch		
	To VIN H06673	XR854841	1
	From VIN H06674 to H24097	XR855434	1
	From VIN H24098	C2Z5018	1
2	Windscreen Wash/Wiper Switch		
	To VIN H06673	C2C31933	1
	From VIN H06674 to H24097	C2P9335	1
	From VIN H24098	C2Z11721	1
3	Cancellation Module	C2P20958	1
4	Column Adjust Switch	XR826720	1

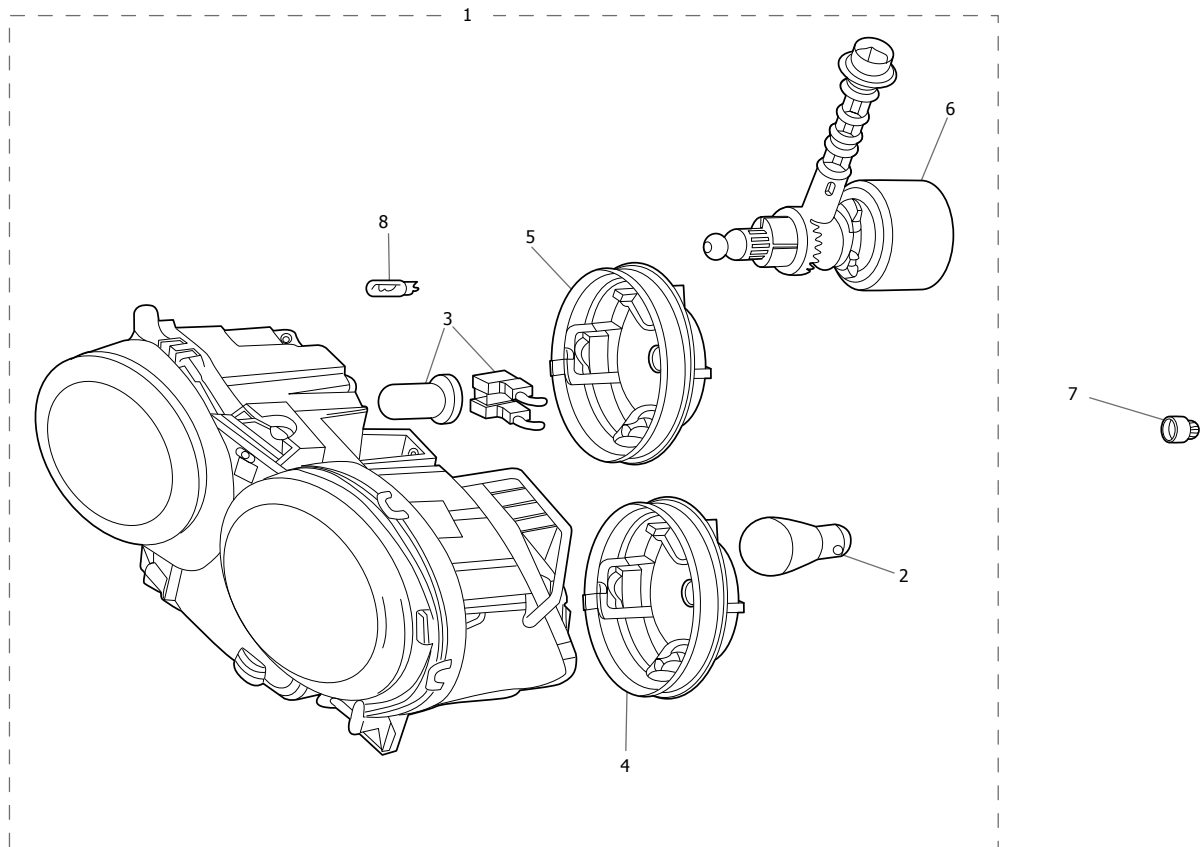


1	Drivers Door Switchpack		
	Powerfold Mirrors	C2C1408	1
	Without Powerfold Mirrors	C2C1407	1
2	Passenger & Rear Doors	C2C1409	3



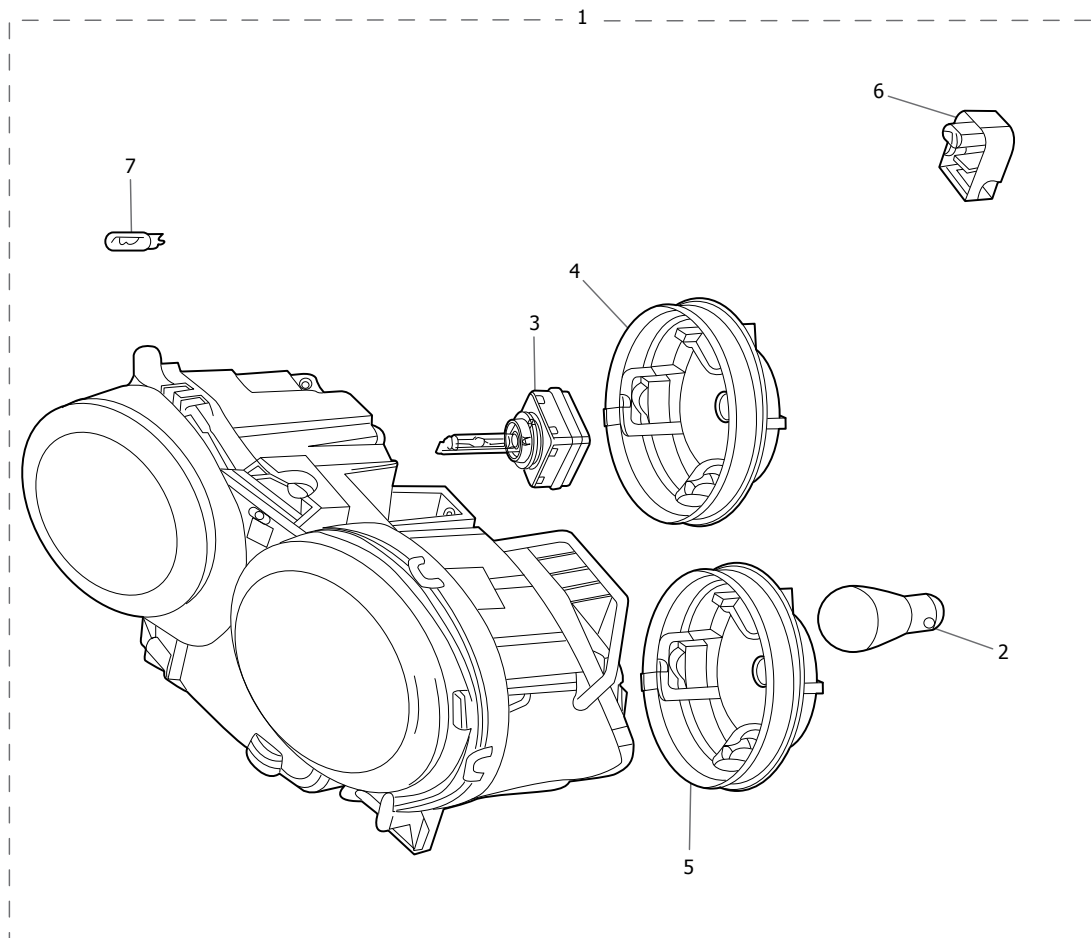
HALOGEN HEADLAMPS

1	Headlamp Assembly				LHD - LH USA & Canada		
	RHD - LH				To VIN G45139	C2C22627	1
	To VIN G45139	C2C22627	1		From VIN G45140	C2C28135	1
	From VIN G45140	C2C28135	1		LHD - RH USA & Canada		
	RHD - RH				To VIN G45139	C2C22619	1
	To VIN G45139	C2C22620	1		From VIN G45140	C2C28131	1
	From VIN G45140	C2C28132	1	2	Indicator Bulb	C2S15076	2
	LHD - LH Except USA & Canada			3	Headlamp Bulb	LNC5180BA	4
	To VIN G45139	C2C22625	1	4	Dip Beam Cap	C2C9069	2
	From VIN G45140	C2C28133	1	5	Main Beam Cap	C2C9070	2
	LHD - RH Except USA & Canada			6	Stepper Motor	C2C7763	2
	To VIN G45139	C2C22618	1	7	Headlamp Adjustment Screw Cover	C2C22331	2
	From VIN G45140	C2C28130	1	8	Bulb 5W	C2S15074020	2



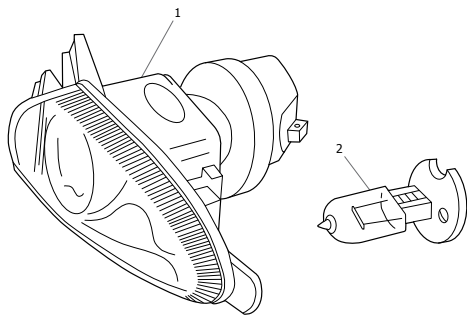
HID HEADLAMPS

1	Headlamp Assembly			LHD - LH USA & Canada		
	RHD - LH			To VIN G40555	C2C22631	1
	To VIN G40555	C2C22630	1	From VIN G40556	C2C26695	1
	From VIN G40556	C2C26694	1	LHD - RH USA & Canada		
	RHD - RH			To VIN G40555	C2C22624	1
	To VIN G40555	C2C22623	1	From VIN G40556	C2C26691	1
	From VIN G40556	C2C26690	1	2 Indicator Bulb	C2S15076	2
	LHD - LH Except USA & Canada			3 Headlamp Burner	C2N1716	2
	To VIN G40555	C2C22629	1	4 Dip Beam Cap	C2C9069	2
	From VIN G40556	C2C26693	1	5 Main Beam Cap	C2C9070	2
	LHD - RH Except USA & Canada			6 Vent Cover	C2C22331	2
	To VIN G40555	C2C22622	1	7 Bulb	C2S15074020	2
	From VIN G40556	C2C26689	1			



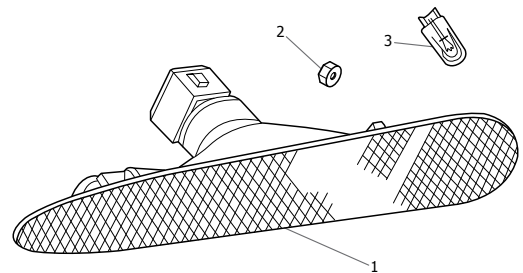
FOG LAMPS

1	Fog Lamp Assembly		
	LH to VIN H18679	XR87609	1
	LH from VIN H18680	XR837352	1
	RH to VIN H18679	XR87608	1
	RH from VIN H18680	XR837352	1
2	Bulb to VIN H18679	DBC11408	2
	Bulb from VIN H18680	C2S42389	2



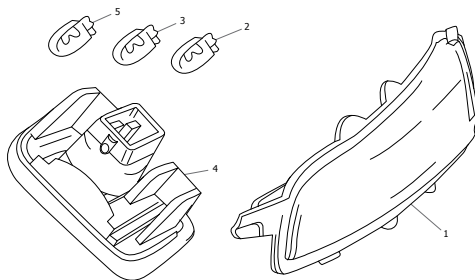
INDICATOR SIDE LAMPS

1	Indicator Side Lamp Assembly		
	LH to VIN G49700	C2C2047	1
	LH from VIN G49701	C2C28549	1
	RH to VIN G49700	C2C2046	1
	RH from VIN G49701	C2C28549	1
2	Paint Clearing Nut	C2Z2325	A/R
3	Bulb Amber	C2S25583	2



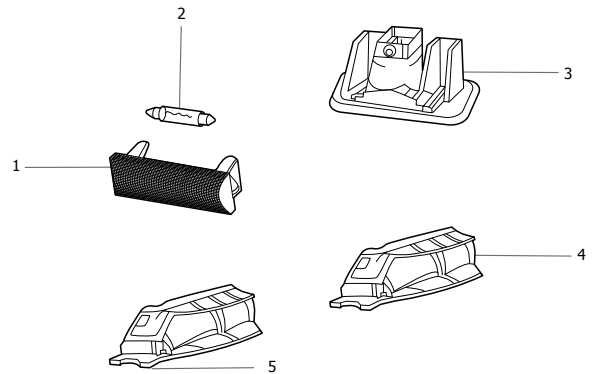
DOOR MIRROR LAMPS

1	Door Mirror Lamp		
	LH	C2C37092	1
	RH	C2C37091	1
2	Bulb	C2S15074020	2
3	Indicator Bulb	C2S25583	2
4	Puddle Lamp LH		
	To VIN H18679	C2C9184	1
	From VIN H18680	C2C37090	1
5	Puddle Lamp RH		
	To VIN H18679	C2C9183	1
	From VIN H18680	C2C37089	1
6	Bulb	C2S25583	2



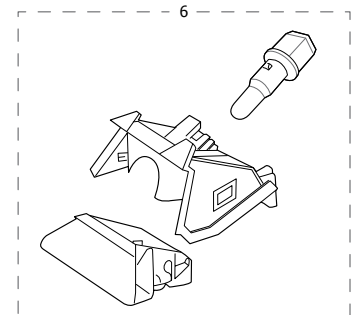
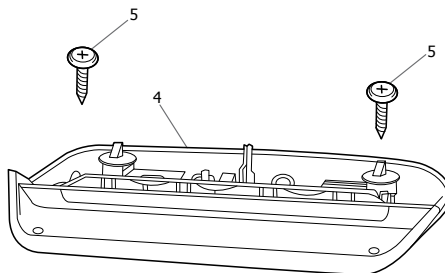
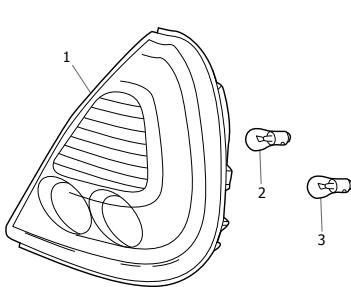
INTERIOR LAMPS

1	Boot Lamp	C2P8304	1
2	Bulb	JLM293	1
3	Footwell Lamp	LJA5350BA	4
4	Door Hazard Lamp (red)	C2S20577	4
5	Courtesy Lamp		
	LH Headlining	XR844250	1
	RH Headlining	XR844519	1



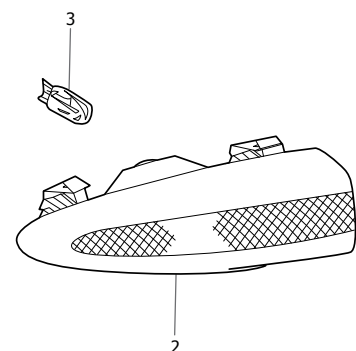
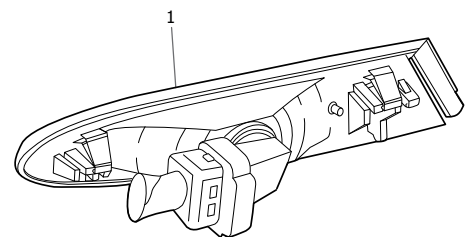
REAR LAMPS

1	Rear Lamp Assembly						
	LH						
	Black Bezel to VIN H18679	C2C33546	1				
	Silver Bezel to VIN H18679	C2C33545	1				
	Red Bezel from VIN H18680	C2C29182	1				
	RH						
	Black Bezel to VIN H18679	C2C33544	1				
	Silver Bezel to VIN H18679	C2C33543	1				
	Red Bezel from VIN H18680	C2C29181	1				
2	Bulb	DBC11382	A/R				
				3	Bulb Amber	C2S15076	2
				4	High Mounted Stop Lamp		
					Champagne from VIN G34527	C2C22515SEL	1
					Dove from VIN G34527	C2C22515LHJ	1
					Oatmeal	C2C22515LFJ	1
					Nimbus	C2C22515LFJ	1
				5	Pan Head Screw	C2Z3034	2
				6	Number Plate Lamp		
					LH	C2C25573	1
					RH	C2C25572	1



REFLECTORS

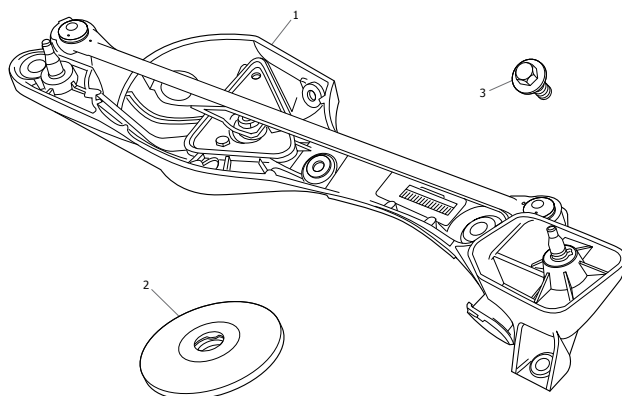
1	Reflector			
	LHF / RHR - to VIN H18679	C2C2053	1	
	LHF / RHR - from VIN H18680	C2C35382	1	
	RHF / LHR - to VIN H18679	C2C2048	1	
	RHF / LHR - from VIN H18680	C2C35381	1	
2	Sidemarker Lamp			
	LHF - to VIN H18679	C2C10423	1	
	LHF - from VIN H18680	C2C35380	1	
	RHF - to VIN H18679	C2C2051	1	
	RHF - from VIN H18680	C2C35379	1	
	LHR - to VIN H18679	C2C2050	1	
	LHR - from VIN H18680	C2C35378	1	
	RHR - to VIN H18679	C2C2049	1	
	RHR - from VIN H18680	C2C35377	1	
3	Bulb	C2S15074020	A/R	



WASHER WIPER

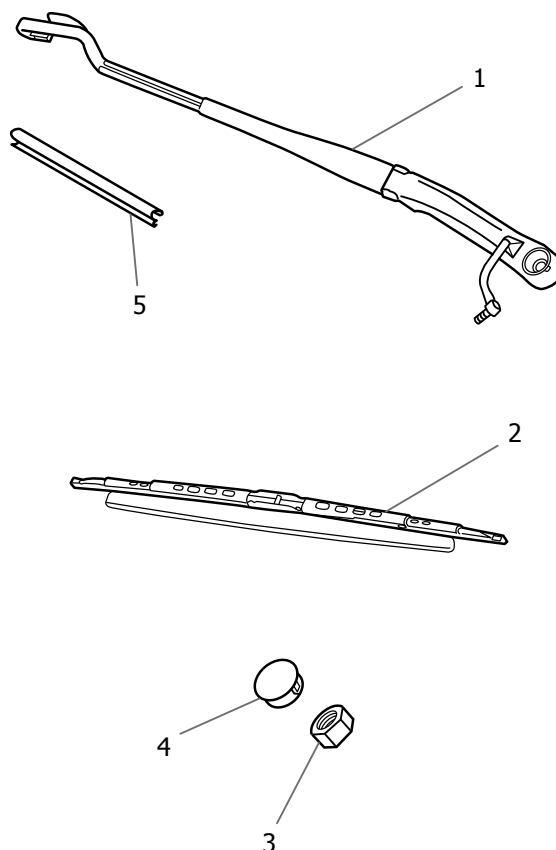
WINDSCREEN WIPER MOTOR

1	Windscreen Wiper Motor		
	LHD	C2C34187	1
	RHD	C2C34188	1
2	Spindle Seal	C2C24819	2
3	Screw	C2S45005	3



WIPER ARMS & BLADES

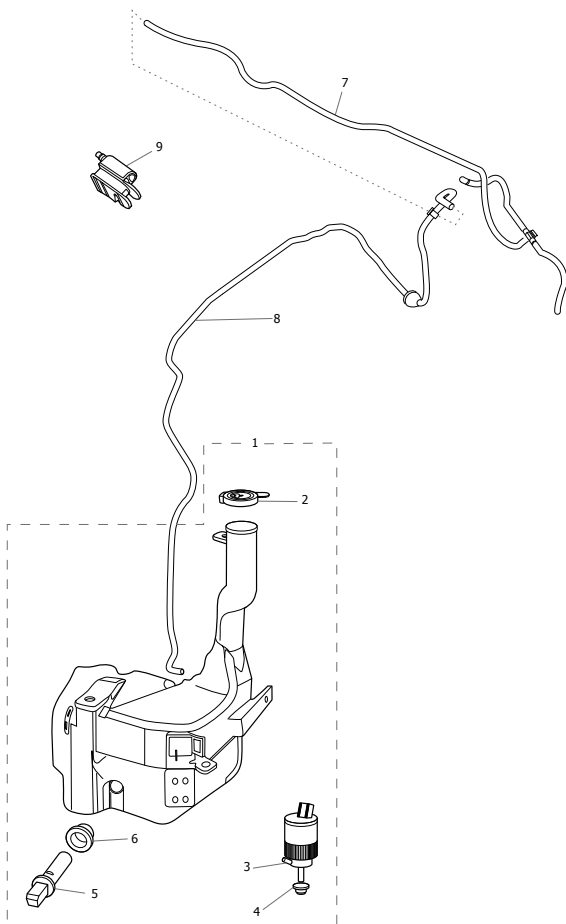
1	Wiper Arm		
	LHD - Driver Side	C2C1787	1
	LHD - Passenger Side	C2C1786	1
	RHD - Driver Side	C2C1788	1
	RHD - Passenger Side	C2C1785	1
2	Wiper Blade		
	LHD - Driver Side	XR858033	1
	LHD - Passenger Side		
	To VIN G28799	XR858025	1
	From VIN G28800	C2C25323	1
	RHD - Driver Side	XR858026	1
	RHD - Passenger Side	XR858034	1
3	Nut	XR82478	2
4	Wiper Arm Cap	XR87211	2
5	Hose Clip		
	Driver Side	C2C24374	1
	Passenger Side	C2C24373	1



WINDSCREEN WASH SYSTEM (FOR CARS WITHOUT HEADLAMP POWERWASH)

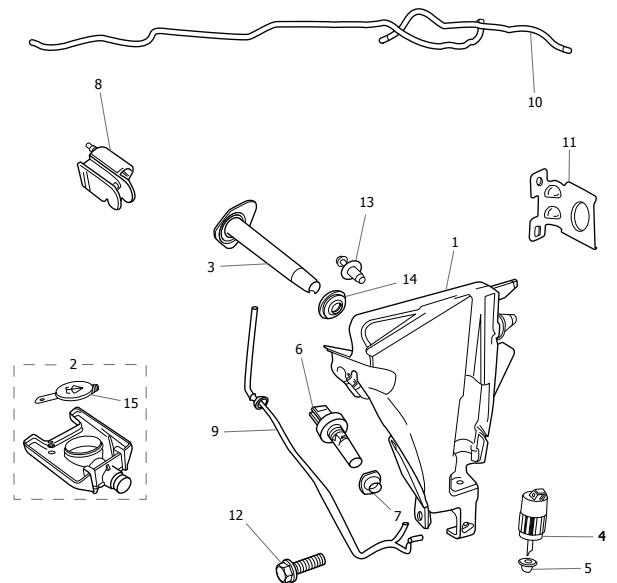
To VIN G49700

1	Reservoir	C2C6569	1
2	Reservoir Cap	C2S4055	1
3	Pump	C2S4065	1
4	Pump Seal	C2S4603	1
5	Fluid Level Sensor	C2S4061	1
6	Sensor Grommet	C2S4604	1
7	Screenwash Hose		
	LHD	C2C5842	1
	RHD	C2C5843	1
8	Hose Reservoir to Leaf Screen	C2C2167	1
9	Screenwash Jet		
	LHD	C2C7462	1
	RHD	C2C7463	1



From VIN G49701

1	Reservoir		
	Except Concept8/XJR Portfolio	C2C33521	1
	Concept8/XJR Portfolio	C2C35441	1
2	Filler Neck with Cap	C2C32953	1
3	Filler Tube	C2C33523	1
4	Pump	C2C30350	1
5	Pump Seal	C2S4603	1
6	Level Sensor	C2S4061	1
7	Sensor Grommet	C2S4604	1
8	Screenwash Jet		
	LHD	C2C7462	1
	RHD	C2C7463	1
9	Hose pump to nozzle	C2C21719	1
10	Screenwash Hose		
	LHD	C2C23683	1
	RHD	C2C23682	1
11	Bracket	C2C28102	1
12	Bolt and Washer	XR848060	2
13	Plastic Rivet	C2Z3567	1
14	Reservoir Seal	C2C22823	1
15	Reservoir Filler Cap	C2C23186	1



WASHER WIPER

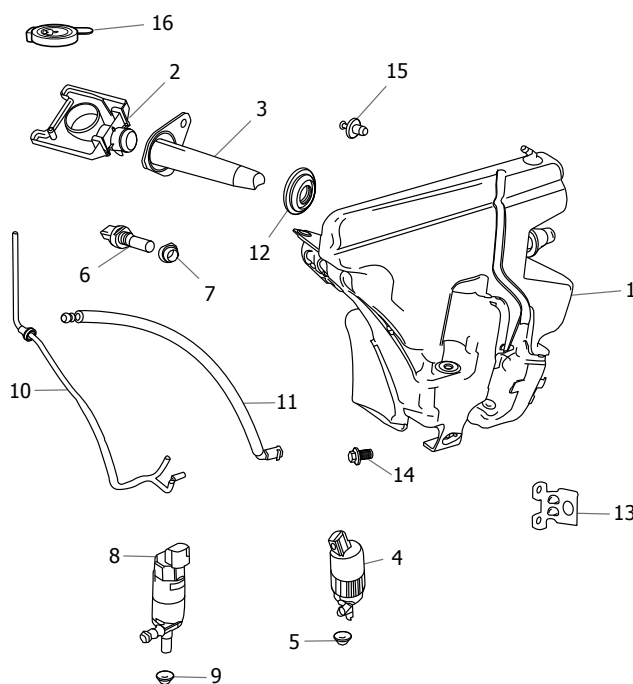
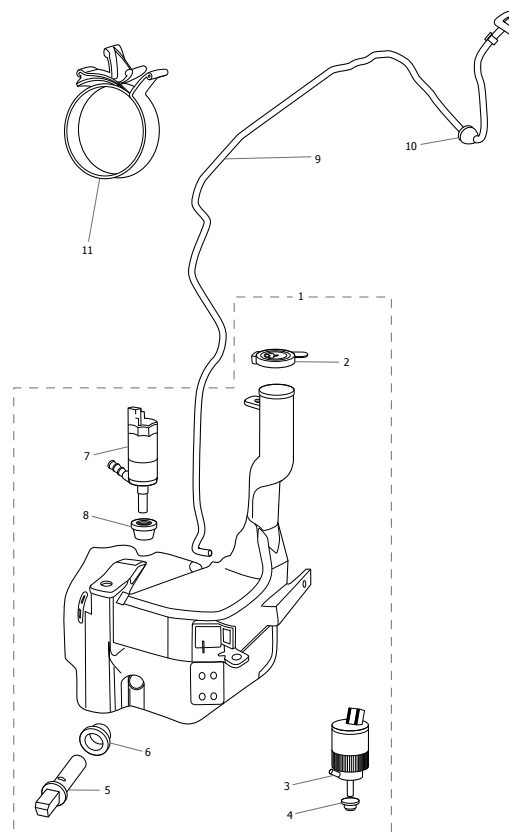
WINDSCREEN & HEADLAMP WASH SYSTEM

To VIN G49700

1	Reservoir	C2C6570	1
2	Reservoir Cap	C2S4055	1
3	Screenwash Pump	C2S4065	1
4	Pump Seal	C2S4603	1
5	Level Sensor	C2S4061	1
6	Sensor Grommet	C2S4604	1
7	Headlamp Powerwash Pump	C2S4086	1
8	Headlamp Wash Pump Grommet	C2S7944	1
9	Screenwash Hose	C2C2167	1
10	Grommet	C2C5840	1
11	Clip	C2C12150	1

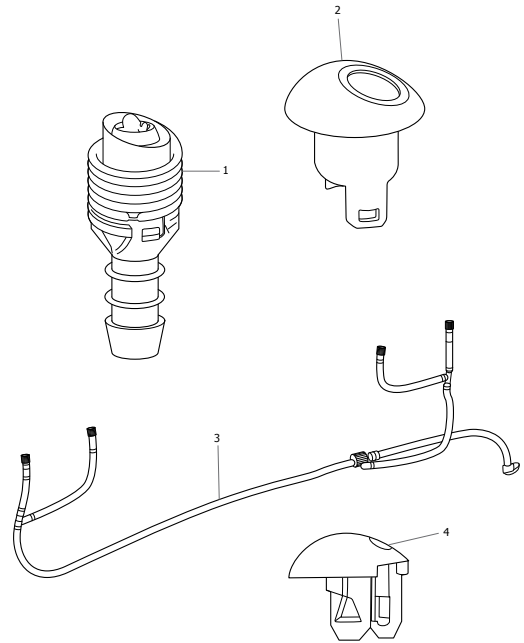
From VIN G49701

1	Reservoir		
	To VIN H18679	C2C35287	1
	From VIN H18680	C2C36140	1
2	Filler Neck with Cap	C2C32953	1
3	Filler Neck without Cap	C2C33523	1
4	Screenwash Pump	C2C4065	1
5	Pump Seal	C2S4603	1
6	Fluid Level Sensor	C2S4061	1
7	Grommet	C2S4604	1
8	Headlamp Powerwash Pump		
	To VIN H18679	C2C4086	1
	From VIN H18680	C2C36142	1
9	Sealing Grommet		
	To VIN H18679	C2S7944	1
	From VIN H18680	C2C36143	1
10	Screenwash Hose Pump to Nozzle	C2C21719	1
11	Powerwash Hose Reservoir to Bumper		
	To VIN H18679	C2C21716	1
	From VIN H18680	C2C36141	1
12	Filler Neck Seal	C2C22823	1
13	Bracket	C2C28102	1
14	Bolt and Washer	XR848060	1
15	Plastic Rivet	C2Z3567	1
16	Filler Cap	C2C23186	1



WINDSCREEN & HEADLAMP WASH SYSTEM (CONT.)

Headlamp Wash			
1	Powerwash Jet	C2C3373	4
2	Powerwash Jet Bracket Primer Painted	C2C3375XXX	4
3	Powerwash Hose To VIN G49700	C2C11622	1
	VIN G49701 to H18679	C2C24202	1
	From VIN H18680	C2C36650	1
4	Housing Primer Painted from VIN H18680		
	LH	C2C37133XXX	2
	RH	C2C37132XXX	2



SERVICE ITEMS

Air Cleaner Element			
	All Models	AJ82766	1
Fuel Filter Element			
	Petrol	C2C35417	1
	Diesel	XR857585	1
Oil Filter Element			
	V6 Petrol	XR858593	1
	V8 Petrol	C2C41611	1
	Diesel	C2S29685	1
Spark Plug			
	V6 Petrol	C2S46895	6
	V8 Petrol	C2A1535	8
On Plug Coil			
	V6 Petrol	C2S42673	6
	V8 Petrol	AJ810445	8
Antifreeze			
	1 Litre	JLM209722	A/R
	5 Litre	JLM209723	A/R



ACCESSORIES

WHEEL ACCESSORIES

Locking Wheel Nut Set	C2C9198
Wheel Nut Cap	XR81248
Road Wheel Badge Growler	
Silver Head on Green	C2C30080
Silver Head on Black	C2C30081
Road Wheel Badge Heritage	C2C39745
Mud Flap Kit	
Front	C2C7370
Rear	C2C7371



OVERMAT SETS

Black	OMX350/1R
Beige	OMX350/8R

N.B THE ABOVE OVERMAT SETS ARE TO FIT RHD CARS ONLY



BODY ACCESSORIES

Leaping Jaguar	C2C39767
Chrome Headlamp Rims	
Pre-Facelift Models	X350/HLR/SET
Facelifted Models	X350FL/HLR/SE
Chrome Mirror Covers	
Pre-Facelift Models	X350/MC/P
Facelifted Models	X350FL/MC/P
Chrome Rear Lamp Rims	
Pre-Facelift Models	X350/RLR/P
Facelifted Models	X350FL/RLR/P
Growler Grille Badge	C2C25678
Daimler Grille Badge	C2C28832



LUBRICANTS & CLEANING PRODUCTS

MORRIS® LUBRICANTS

We stock a full range of quality Morris Lubricants (blending oils in Shrewsbury since 1869) that are entirely suitable for both the classic and current Jaguar range.

Running In Oil	5 Litre	MOR013
Dextron 2 ATF	5 Litre	MOR014
Dextron 2 ATF	1 Litre	MOR015
EP80/90 Gear Oil	5 Litre	MOR020
EP80/90 Gear Oil	1 Litre	MOR021
LSD Gear Oil	5 Litre	MOR022
Oil 10W/50 Semi Synthetic	5 Litre	MOR023
Mineral Oil	1 Litre	MOR025
Brake Fluid Dot 4	1 Litre	MOR027
Brake Fluid Dot 4	500ml	MOR028
Carb Cleaning Spray	400ml	MOR029
MD4 Maintenance Spray	400ml	MOR030
Pavan Degreaser	400ml	MOR031
Prima Silicone Spray	400ml	MOR032
Prise Anti-Sieze Spray	400ml	MOR033
Solvent Brake Cleaner	400ml	MOR034
LM Grease	500g	MOR035
Copper Slip	500g	MOR036
Diesel Oil	5 Litre	MOR038
Engine Oil	1 Litre	MOR043
Liquimatic ATF	5 Litre	MOR045
Rubber Grease	500g	RUBBERGREASE



CLEANING PRODUCTS

Find everything you need to keep your Jaguar in tip top condition with our wide range of cleaning products and accessories.

Gliptone® Leather Conditioner	250ml	CH5001
Gliptone® Liquid Leather Cleaner	250ml	CH5002
OEM Jaguar Car Body Shampoo	500ml	C2A1016
OEM Jaguar Wax Polish Liquid	500ml	C2A1017
OEM Jaguar Glass Cleaner	500ml	C2A1023
AUTOGYLM® Wire Wheel Cleaner	500ml	AGWC
Jaguar Chamois Leather		C2A1025
Cleaning Sponge		C2A1026

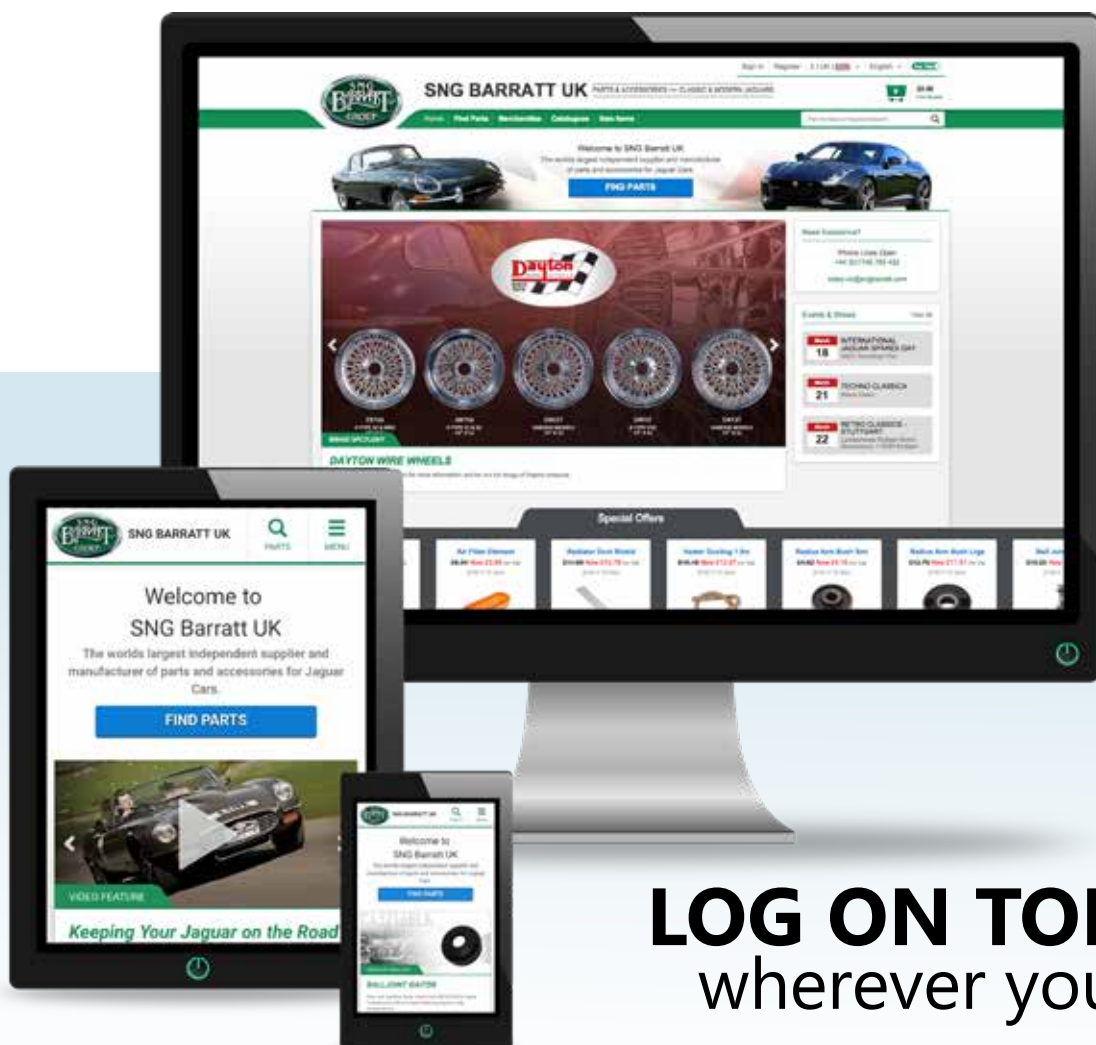


INDEX

A		E		K		S	
ACCELEROMETER	30	ELECTRONIC CONTROL MODULE	30, 33	KNOCK SENSOR	45-46	SCREENWASH HOSE/JET	53
ADAPTIVE DAMPING CONTROL	30	ELECTRONIC PARK BRAKE	33	L		SCREENWASH PUMP	54
AIR CLEANER ELEMENT	55	ENGINE MOUNTING	6, 10	LEAPING JAGUAR	41, 56	SEALS	39
AIR CONDITIONING SENSORS	38	ENGINE SENSORS	45	LOCKING WHEEL NUT SET	56	SENDER UNIT	19
AIR DUCT	40	EVAPORATOR	38	LUBRICANTS	57	SILICONE SPRAY	57
AIR SPRING	29	EXHAUST CLAMP	21	M		SOLENOID	30, 45
AIR TEMPERATURE SENSOR	45	EXHAUST MANIFOLD	6, 10	MANIFOLD	6	SPARK PLUG	6, 8, 44, 55
ALTERNATOR	44	EXHAUST MOUNTING	21	MANIFOLD STUD	20	SPEED SENSOR	32
ANTIFREEZE	55	EXHAUST VALVE	6, 8, 10	MAP SENSOR	45-46	SPONGE	57
ANTI ROLL BAR	26-27	EXPANSION TANK	15	MEMORY MIRRORS	42	SPORTS SUSPENSION	29
B		F		MESH	40	STARTER MOTOR	44
BADGE	40	FAN & COWL	15	MIRROR COVERS	56	STEERING RACK	31
BLOWER MOTOR	38	FILTER	55	MIRROR GLASS	42	STRUT	39
BONNET FITTINGS	39	FLANGE	23	MIRRORS	41	SUBFRAME	27
BONNET STRUT	39	FOG LAMP ASSEMBLY	50	MUD FLAP KIT	56	SUMP	6
BOOT CLOSURES	39	FOOTWELL LAMP	50	N		SUMP DRAIN PLUG	6, 8, 10
BOOT LAMP	50	FRAME CARRIER	27	NUMBER PLATE LAMP	51	SUMP GASKET	8, 10, 22
BOOT LID SEAL	39	FRONT ENGINE MOUNTING	8	O		SUPERCHARGER BELT	12
BRAKE BOOSTER	33	FRONT SPEED SENSOR	32	OIL	22, 57	T	
BRAKE CLEANER	57	FUEL FILTER ELEMENT	55	OIL COOLER	32	TAPPET	6, 8
BRAKE DISCS	34, 36	FUEL PUMP	19	OIL FILLER CAP	6, 8	TAPPET ADJUSTMENT	
BRAKE FLUID	57	FUEL TANK	19	OIL FILLER PLUG	22, 24	SHIM	8
BRAKE MASTER CYLINDER	33	G		OIL FILTER ELEMENT	55	TEMPERATURE SENSOR	38
BRAKE PAD KIT	34, 36	GEARBOX OIL	22, 57	OIL LOW LEVEL SENSOR	46	TENSIONER	8, 13
BRAKE PEDAL	32	GEARBOX SUMP	22	OIL PRESSURE SWITCH	45-46	THERMOSTAT	17-18
BULB	48-49	GEAR CONTROL CABLE	23	OIL PUMP	6, 8, 10	THERMOSTAT COVER	17
C		GEARSHIFT HAND LEVER	23	ON PLUG COIL	44, 55	THERMOSTAT HOUSING	18
CALIPER HOUSING	34, 36	GLASS CLEANER	57	OUTLET PIPE	17-18	TIMING BELT KIT	13
CALIPERS	34, 36	GLOW PLUG	44	OUTPUT FLANGE	23	TIMING CHAIN	8
CAMSHAFT	6, 8	GRILLE	40	OXYGEN SENSOR	20	TIMING CHAIN KIT	6, 10
CAMSHAFT POSITION SENSOR	45-46	GRILLE BADGE	40, 56	P		TIMING COVER	10
CAMSHAFT PULLEY	13	H		PARK BRAKE	33	TIMING COVER GASKET	6
CANCELLATION MODULE	47	HEADLAMP ASSEMBLY	48-49	PISTON RING	6, 8	TRANSDUCER	19, 31
CATALYST	20-21	HEADLAMP RIMS	56	POWERFOLD MIRRORS	47	V	
CHAMOIS LEATHER	57	HEADLAMP WASH SYSTEM	54	POWER STEERING PUMP	31	VALVE BLOCK	30
CHROME	56	HEATER MATRIX	38	POWER STEERING RESERVOIR	32	VALVE SEAL	6, 10
COLUMN ADJUST SWITCH	47	HIGH MOUNTED STOP LAMP	51	POWERWASH HOSE/JET	55	VALVE SPRING	8, 10
COMFORT SUSPENSION COMPRESSOR	30, 38	HUB AND BEARING ASSEMBLY	26	POWERWASH PUMP	54	VANE BLOCK	40
CONDENSER	38	HUB CARRIER	28	PRIMARY DOOR SEAL	39	VEHICLE DETAILS	4
CONNECTING ROD	6	I		PUDDLE LAMP	50	VENT COVER	49
COOLANT TEMPERATURE SENSOR	45-46	IDLER PULLEY	12-13	R		VERTICAL LINK	26
COURTESY LAMP	50	IGNITION	44	RADIATOR ASSEMBLY	14	VIN NUMBER	4
CRANKSHAFT OIL SEAL	6	INDICATOR BULB	48-50	RADIATOR FAN & COWL	15	W	
CRANKSHAFT POSITION SENSOR	46	INDICATOR SIDE LAMP ASSEMBLY	50	RADIATOR GRILLE	40	WATER PUMP	16
CROSSBEAM	25	INDICATOR SWITCH	47	RAIN SENSOR	47	WAX POLISH LIQUID	57
CYLINDER HEAD	6, 8, 10	INJECTOR PUMP		REAR FRAME CARRIER	27	WHEELARCH LINER	43
D		INLET HOSE	14	REAR LAMP ASSEMBLY	51	WHEEL BEARING	28
DAMPER	29	INLET MANIFOLD	6	REAR LAMP RIMS	56	WHEEL HUB	28
DAMPER SEALING RING	8	INLET VALVE	6, 8, 10	REFLECTOR	51	WHEEL NUT CAP	56
DIFFERENTIAL	24	INSULATOR	24	REVERSE AID MODULE	15, 33	WINDSCREEN	54
DISCS	34, 36	INTERCOOLER	14	ROAD WHEEL BADGE	56	WINDSCREEN	
DISC SHIELD	26, 28	INTERIOR LAMPS	50	S		WASH/WIPER SWITCH	47
DOOR HAZARD LAMP	50	INTERIOR MIRRORS	41	SCREENWASH HOSE/JET	53	WINDSCREEN WIPER MOTOR	52
DOOR MIRROR LAMP	50			SCREENWASH PUMP	54	WIPER ARM	52
DOOR MIRRORS	42-43			SEALS	39	WIPER BLADE	52
DOOR SEALS	39			SENDER UNIT	19	WIRE WHEEL CLEANER	57
DOWNPIPE	20-21			SILICONE SPRAY	57	WISHBONE ARM	25, 29
DRIVE BELT	12			SOLENOID	30, 45	WISHBONE BUSH	25
				SPARK PLUG	6, 8, 44, 55	WISHBONES	25
				SPEED SENSOR	32	Y	
				SPONGE	57	YAW RATE SENSOR	30
				SPORTS SUSPENSION	29		
				STARTER MOTOR	44		
				STEERING RACK	31		
				STRUT	39		
				SUBFRAME	27		
				SUMP	6		
				SUMP DRAIN PLUG	6, 8, 10		
				SUMP GASKET	8, 10, 22		
				SUPERCHARGER BELT	12		

Order your parts online...

- ✓ Modern and dynamic look
- ✓ Easier and faster Parts Finder for easier ordering
- ✓ Updated illustrations for E-Type and XK
- ✓ Multi-lingual including French, Dutch and German
- ✓ Phone and tablet compatible



LOG ON TODAY
wherever you are

www.sngbarratt.com

ALL MODELS COVERED • UPGRADES • PARTS MADE IN HOUSE
OVER 50,000 PARTS AVAILABLE • EASY ONLINE ORDERING

S·N·G
BARRATT
GROUP

www.sngbarratt.com