

A close-up, low-angle shot of the front of a dark green Bentley S-Type. The image focuses on the iconic kidney grille with its horizontal slats, the round headlights, and the hood. The car's paint is highly reflective, showing highlights from the environment. The Bentley logo is visible on the left side of the grille.

S·N·G
BARRATT
GROUP

S-TYPE

THE PARTS COLLECTION

FIND US...

With over 30 years experience in supplying Jaguar parts, SNG Barratt Group are the World's largest independent specialists, with a Head Office in the UK and branches in the USA, France and Holland. We stock and supply parts for Jaguar cars from 1949 right through to the present day.



SNG BARRATT LTD
BRIDGNORTH, UNITED KINGDOM

T: +44 (0)1746 765432 E: sales.uk@sngbarratt.com



SNG BARRATT USA
NEW HAMPSHIRE, USA

T: +1 800 452 4787 E: sales.usa@sngbarratt.com



SNG BARRATT FRANCE
CHARNEY-LES-MACON

T: +33 (0)3 85 20 14 20 E: france@sngbarratt.com



SNG BARRATT NL
OISTERWIJK

T: +31 (0)1352 11 552 E: sales.nl@sngbarratt.com



SNG BARRATT GERMANY
OISTERWIJK, NL

T: 018 01 833 833 (DE only) E: sales.de@sngbarratt.com

ALL INCLUDED IMAGES & DATA
© SNG BARRATT GROUP LTD. 2018

KEEPING JAGUARS PURRING

ALL OVER THE WORLD

EXPERIENCE, KNOWLEDGE
& EXPERT ADVICE

MULTILINGUAL STAFF TO HELP
CUSTOMERS WORLDWIDE

EXTENSIVE WAREHOUSES

1-2 DAY SHIPPING

24 HOUR ONLINE ORDERING &
UP-TO-DATE STOCK AVAILABILITY

INTERACTIVE PARTS SEARCH
& FREE CATALOGUES



WELCOME

SNG Barratt first started to sell and remanufacture Jaguar E-Type components in the 1970's. With constant re-investment the range quickly grew and more and more items were re-introduced. Now many years later we make a multitude of parts for the entire range of classic Jaguars. This catalogue is designed purely with the S-Type owner in mind and offers a comprehensive range of the products that we can provide.



YOUR CUSTOMER NUMBER

Upon dealing with SNG Barratt for the first time you will be allocated a customer number. In most cases this will be your UK postcode or in the USA your telephone number. However if you are outside the UK/USA your sales advisor will use either your postal area code or a number devised using your surname. This customer number can either be found on your invoice or simply by asking the person serving you. The ability to provide your customer number when contacting our sales department will allow us to access your information far faster and serve you even more efficiently.

Customer Number:



HOW TO USE THIS CATALOGUE

Use the illustration in each section to identify the component that you require. Note the indicated item number and find the corresponding number in the section listing. There you will see our part number for that item, the description and to it's right the quantity required per car. Very often this will be the original Jaguar part number, thus allowing you to refer to an original factory parts catalogue if more detail is required.

If you then quote this part number when contacting our sales department or enter it into our website, we will be able to confirm the cost (all prices are also available online) and whether we have the part in stock.

If you cannot find or conclusively identify the item that you require then please call and we will aim to assist you. Whilst this catalogue is a comprehensive publication it is not a definitive guide to everything that we do. Our staff have many years of experience with all aspects of the Jaguar marque and may have just the answer...

Gear Control Cable - Automatic		Part number	Quantity required per car
Description			
1. Gear Control Cable			
To VIN M45254		XR833366	1
From VIN M45255		XR855991	1
2.7 Litre Turbo Diesel		XR855992	1

We manufacture hundreds of Jaguar parts and have access to thousands more, for both classic and modern cars.

You can download your very own set of catalogues from our website at

www.sngbarratt.com

INTRODUCTION

THE JAGUAR S-TYPE

Launched at the Birmingham Motor Show in 1998 the modern S-Type was produced from 1999 up to 2008 and received a mild facelift for the model year 2005, in total 290,550 S-Types were manufactured, averaging around 32,000 cars per year.

The car, at the beginning of production, was powered by a 4.0 litre AJ-V8 engine, in 2002 a 4.2 Litre V8 engine was fitted. Also in 2002 Jaguar introduced the S-Type R with a 4.2 Supercharged V8 engine, this was designed to compete with the German high performance saloons such as the BMW M5 and the Mercedes-Benz E55 AMG. A 2.5 V6 Petrol engine was offered at the beginning of production, although not available for cars exported for USA and Canada, in 2003 Jaguar introduced a revised 3.0 V6 Petrol engine, along with a revised dash, centre console and a new radiator grille with the Jaguar badge incorporated.

In 2005 a mild facelift was ordered which included redesigned front and rear aprons, rear lights, an aluminium bonnet, a slightly modified grille and new 2.7 Litre V6 Diesel engine.

From 1999-2002 the S-Type had a choice of a 5-speed manual gearbox or a 5-speed J-Gate automatic, and then from 2003 the car was produced with, once again, a 5-speed manual or a 6-speed J-Gate automatic which offered automatic gear selection or a clutchless manual selection. The diesel engine was made available with a 6-speed manual gearbox, but was also available with the 6-speed J-Gate automatic transmission.

The S-Type finally ceased production in 2008, the cars successor was the Jaguar XF which commenced production in 2007.

YOUR VEHICLE DETAILS

Please complete this section as accurate vehicle information at your finger tips will prove to be invaluable. Very often identifying the correct part for you car can be all down to chassis or engine number. These details can best be found on the car itself, as registration documents can often prove to be incorrect due to engine swaps and vehicle upgrades that the DVLA have not been advised of.

Year of manufacture:

Engine Size & Type: 2.5 V6 / 3.0 V6 / 4.0 V8 / 4.2 V8 / 4.2 Supercharged / 2.7 Diesel

Gearbox: Automatic / Manual

VIN / Chassis Number:

S A J

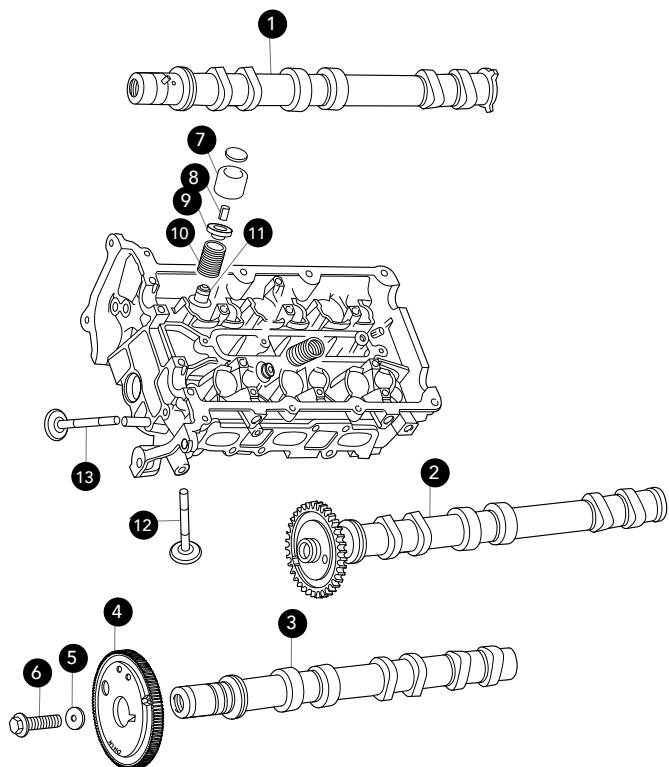
Engine Number:

Paint Code:

We have access to thousands of Jaguar parts. This information will help us to quickly locate the best parts for your Jaguar S-Type.

ENGINE V6 PETROL	4	AIR & FUEL DELIVERY	52	LIGHTING	102
CAMSHAFTS & VALVES	4	AIR CLEANERS	52	HEADLAMP ASSEMBLY	102
CAMSHAFT COVERS & GASKETS	6	THROTTLE PEDAL & LINKAGE	53	FRONT FOG LAMPS	103
PISTONS & CONNECTING RODS	7	FUEL PIPES	54	SIDE MARKER & REPEATER LAMPS	103
CRANKSHAFT	8	FUEL TANK	56	REAR LAMPS	104
CYLINDER HEAD	9	INJECTORS & PIPES	58	INTERIOR LAMPS	105
DRIVE BELTS & PULLEYS	10	SUPERCHARGER	60	MAP LAMP & ROOF CONSOLE	105
ENGINE MOUNTINGS	10				
EXHAUST MANIFOLDS	11	TRANSMISSION & DRIVELINE	61	ELECTRICAL COMPONENTS	106
INLET MANIFOLDS	12	CLUTCH MASTER		IGNITION SYSTEM	106
OIL COOLER & OIL FILTER	14	& SLAVE CYLINDER	61	GLOW PLUGS	107
OIL SUMP & DIPSTICK	15	GEARBOX CONTROLS & LINKAGE	62	INERTIA SWITCH	107
OIL PUMP	15	GEARBOX MOUNTINGS	64	ENGINE SENSORS	108
TIMING CHAINS	16	FLYWHEEL & CLUTCH	65	PARKING AID	110
		OIL SUMP PAN	65	SWITCHES	111
		DIFFERENTIAL ASSEMBLIES	66	RELAYS	112
ENGINE V8 PETROL	18				
CAMSHAFTS & VALVES	18	BRAKING	67	AIR CONDITIONING	
CAMSHAFT COVERS & GASKETS	19			& HEATING	113
TAPPET ADJUSTMENT SHIMS	20	HANDBRAKE MECHANISM	67	HEATER VALVE	113
PISTONS & CONNECTING RODS	21	FRONT DISCS & CALIPERS	68	AIR PARTICULATE FILTER	114
CRANKSHAFT	22	REAR DISCS & CALIPERS	71	AIR CON SYSTEM	115
CYLINDER HEAD	23	BRAKE SERVO &			
DRIVE BELTS & PULLEYS	24	MASTER CYLINDER	73		
ENGINE MOUNTINGS	25	BRAKE/CLUTCH PEDAL			
EXHAUST MANIFOLDS	26	COMPONENTS	74		
INLET MANIFOLDS	27	ANTI LOCK BRAKING SYSTEM	76		
OIL COOLER	29			WASHER & WIPER	117
OIL FILTER	30			SCREENWASH	117
OIL PUMP	31	STEERING		WINDSCREEN WIPER MOTOR	118
OIL SUMP & DIPSTICK	31	& SUSPENSION	77	WIPER ARMS & BLADES	118
TIMING CHAINS	32				
		ANTI-ROLL BARS	77	SERVICE ITEMS	120
ENGINE DIESEL	34	POWER STEERING PUMP	78	ACCESSORIES	120
CAMSHAFTS & VALVES	34	STEERING RACK	79		
CAMSHAFT COVERS & GASKETS	34	ROAD SPRINGS & DAMPERS	80	LUBRICANTS &	
CYLINDER HEAD	35	CROSSBEAM	81	CLEANING PRODUCTS	121
DRIVEBELTS & PULLEYS	36	HUB & VERTICAL LINK	81		
ENGINE ASSEMBLY & MOUNTINGS	37	REAR FRAME CARRIER	82	CHROME	
EXHAUST MANIFOLDS	38	REAR HUB & CARRIER	82	ENHANCEMENTS	122
INLET MANIFOLDS	39	WISHBONES	83		
OIL FILTER & COOLING NOZZLE	40				
OIL PUMP & PIPES	41	EXHAUST COMPONENTS	84		
OIL SUMP & DIPSTICK	41	FRONT PIPES	84		
TIMING CHAINS	42	REAR PIPES	86		
		HEATED OXYGEN SENSOR	87		
COOLING SYSTEM	43	QUICKSILVER EXHAUST SYSTEM	87		
EXPANSION TANKS	43	EGR VALVE	88		
RADIATOR & MOUNTINGS	44				
RADIATOR & MOUNTINGS	45	BODY	89		
RADIATOR HOSES	46				
RADIATOR HOSES	47	BOLTED BODY PANELS	89		
COWLS & FAN MOTORS	48	WHEELARCH LINERS	90		
WATER PUMPS	49	DOOR SEALS	91		
WATER RAIL & THERMOSTATS	50	FRONT BUMPERS	92		
WATER RAIL & THERMOSTATS	51	REAR BUMPERS	96		
		DOOR MIRRORS	98		
		DOOR GLASSES & FRAMES	99		
		DOOR HANDLES & LOCKS	100		

ENGINE V6 PETROL CAMSHAFTS & VALVES



3. Exhaust Camshaft

3.0 Litre

LH B-Bank

From VIN L93750

C2S11246

1

RH A-Bank

From VIN L93750

C2S11244

1

4. Camshaft Sprocket

Exhaust from VIN L93750

C2S4990

2

5. Flat Washer

From VIN L93750

XR85152

2

6. Bolt

From VIN L93750

C2S5142

2

7. Tappet

AJ83694

24

8. Valve Collet

XR85223

48

9. Spring Retainer

AJ88630

24

10. Valve Spring

AJ89550

24

11. Valve Seal

XR85231

24

12. Inlet Valve

XR822776

12

13. Exhaust Valve

AJ810106

12

Camshafts and Valves up to VIN M45254

1. Inlet Camshaft

3.0 Litre

LH B-Bank

To VIN L93749

XR815099

1

From VIN L93750

AJ84316

1

RH A-Bank

To VIN L93749

XR815098

1

From VIN L93750

AJ84315

1

2. Exhaust Camshaft

3.0 Litre

LH B-Bank

To VIN L75999

XR810587

1

VIN L76000 to VIN L93749

XR816229

1

RH A-Bank

To VIN L75999

XR810586

1

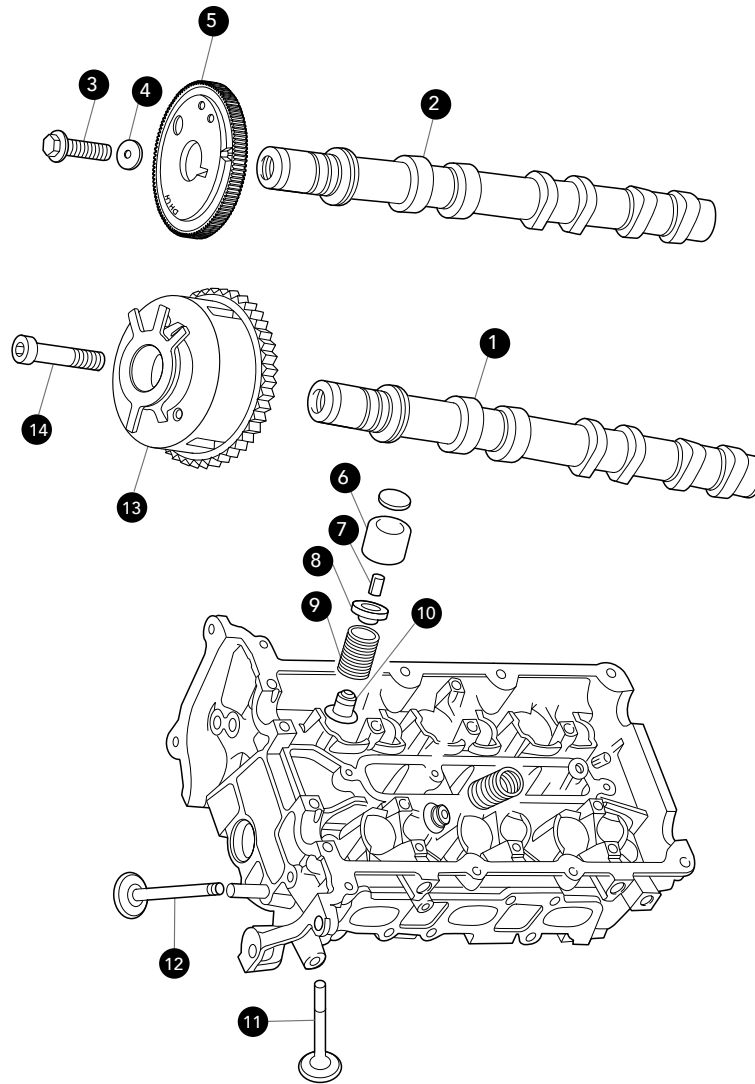
VIN L76000 to VIN L93749

XR816228

1



ENGINE V6 PETROL CAMSHAFTS & VALVES

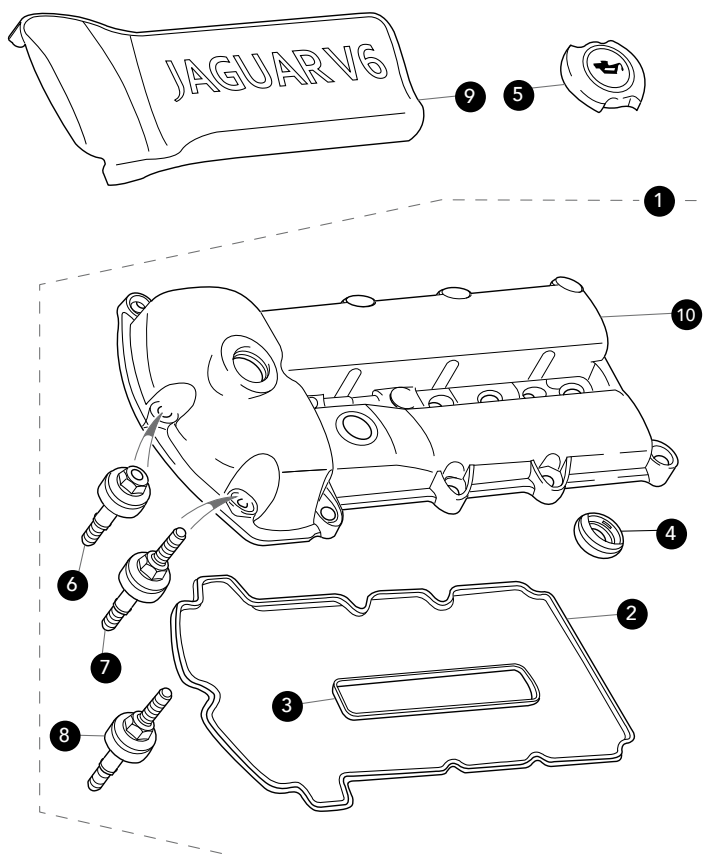


Camshafts and Valves from VIN M45255

1. Inlet Camshaft					
LH B-Bank	AJ85311	1	9. Valve Spring	AJ89550	24
RH A-Bank	C2S19397	1	10. Valve Seal	XR85231	24
2. Exhaust Camshaft			11. Inlet Valve		
LH B-Bank	C2S11246	1	2.5 Petrol	C2S4936	12
RH A-Bank	C2S11244	1	3.0 Petrol	XR822776	12
3. Sprocket to Camshaft Bolt	C2S5142	2	12. Exhaust Valve		
4. Flat Washer	XR85152	2	2.5 Petrol	XR856945	12
5. Camshaft Sprocket	C2S4990	2	3.0 Petrol	AJ810106	12
6. Tappet	AJ83694	24	13. Camshaft Sprocket		
7. Valve Collet	XR85223	48	Inlet with VVT	AJ810037	2
8. Spring Retainer	AJ88630	24	14. Bolt	C2S5140	2

ENGINE V6 PETROL

CAMSHAFT COVERS & GASKETS



1. Camshaft Cover

LH B-Bank

to VIN M45254 XR826735 1

From VIN M45255 C2C34692 1

RH A-Bank

to VIN M45254 XR831677 1

VIN M45255 to VIN N52047 C2S48786 1

From VIN N52048 C2S44849 1

2. Camshaft Cover Gasket

LH B-Bank

to VIN M45254 XR816232 1

From VIN M45255 C2S34512 1

RH A-Bank

to VIN M45254 XR85374 1

From VIN M45255 XR851930 1

3. Spark Plug Boss Seal

XR847907 1

4. Solenoid to Cover Grommet

AJ82577 1

5. Oil Filler Cap

From VIN M45255 C2C16256 1

Other Option XR85227 1

6. Camshaft Cover Bolt

VIN L00804 to VIN M45254 XR85378 7

From VIN M45255 C2S44851 2

7. Camshaft Cover Stud

VIN L00804 to VIN M45254 XR85379 8

From VIN M45255 C2S5175 10

8. Camshaft Cover Stud

From VIN M55510 C2S44851 2

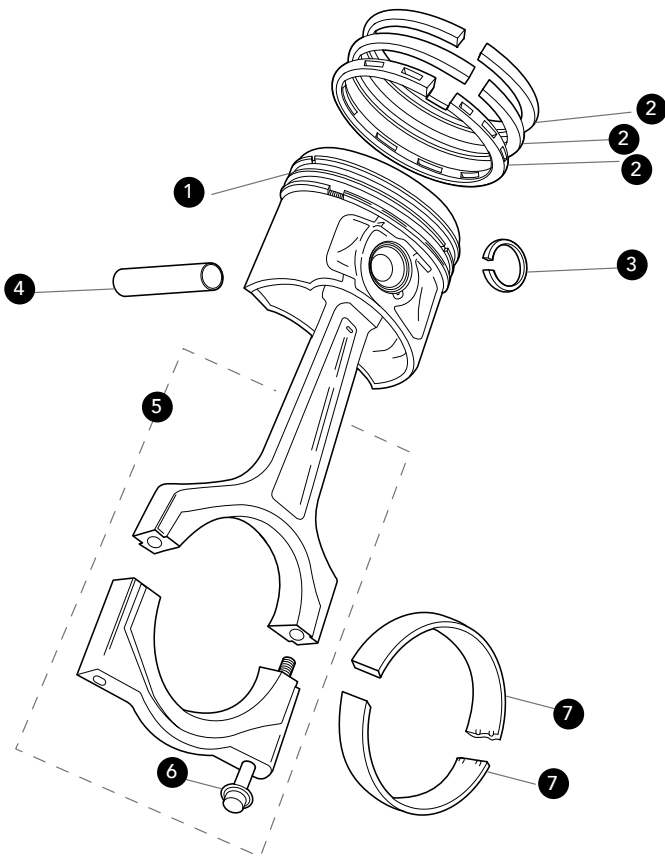
9. Coil Cover

LH B-Bank XR85285 1

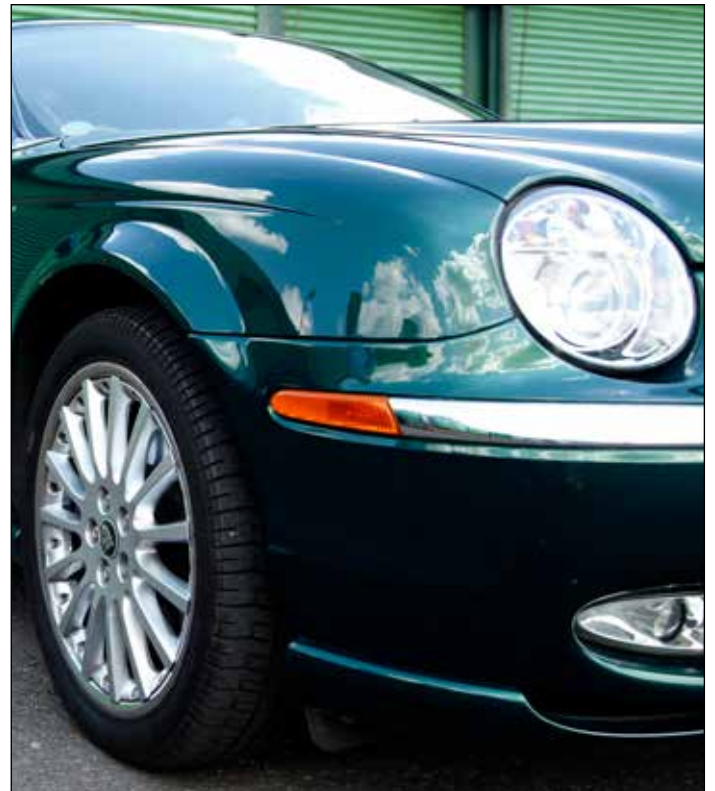
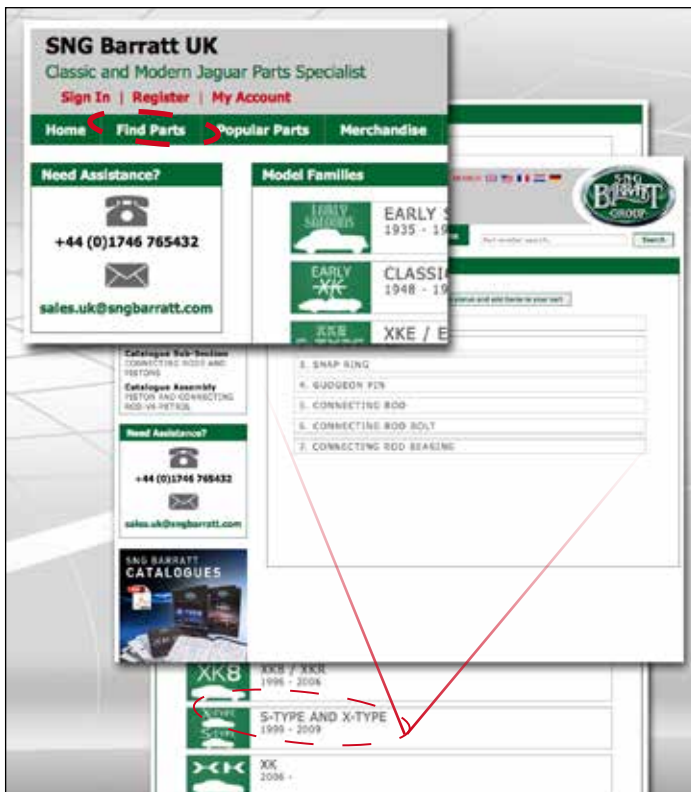
10. Camshaft Cover

RH A-Bank AJ82573 1

ENGINE V6 PETROL PISTONS & CONNECTING RODS

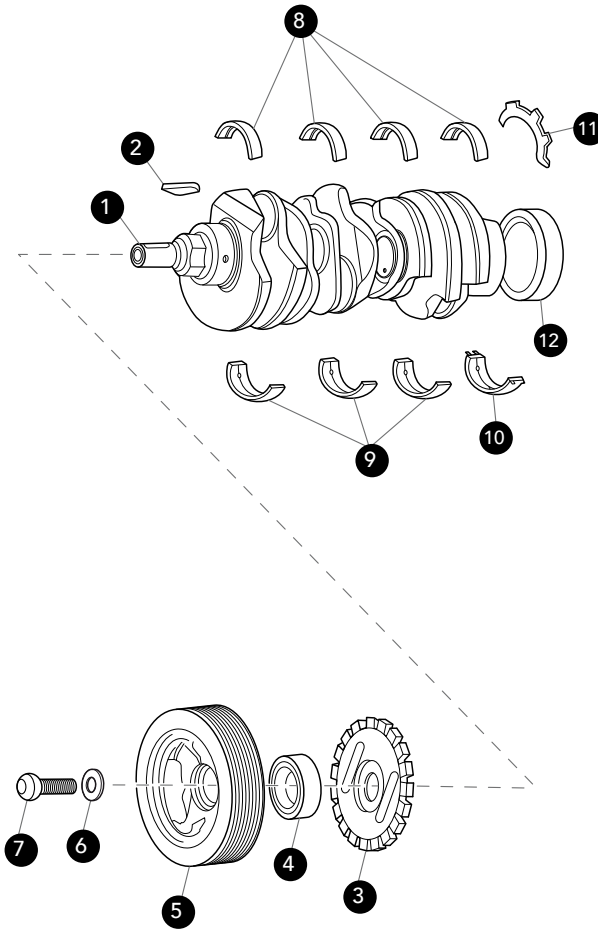


1. Piston			
2.5 V6			
Grade 1	XR857639	6	
Grade 2	C2S49312	6	
Grade 3	XR857640	6	
3.0 V6			
Grade 1	XR857545	6	
Grade 2	XR857546	6	
Grade 3	XR857547	6	
2. Piston Ring Kit			
2.5 V6	XR828057	6	
3.0 V6	C2C5449	6	
3. Snap Ring	XR847861	12	
4. Gudgeon Pin			
2.5 V6	C2S5359	6	
3.0 V6	XR85211	6	
5. Connecting Rod	C2S52083	6	
6. Connecting Rod Bolt	XR85342	12	
7. Connecting Rod Bearing	XR853085	12	



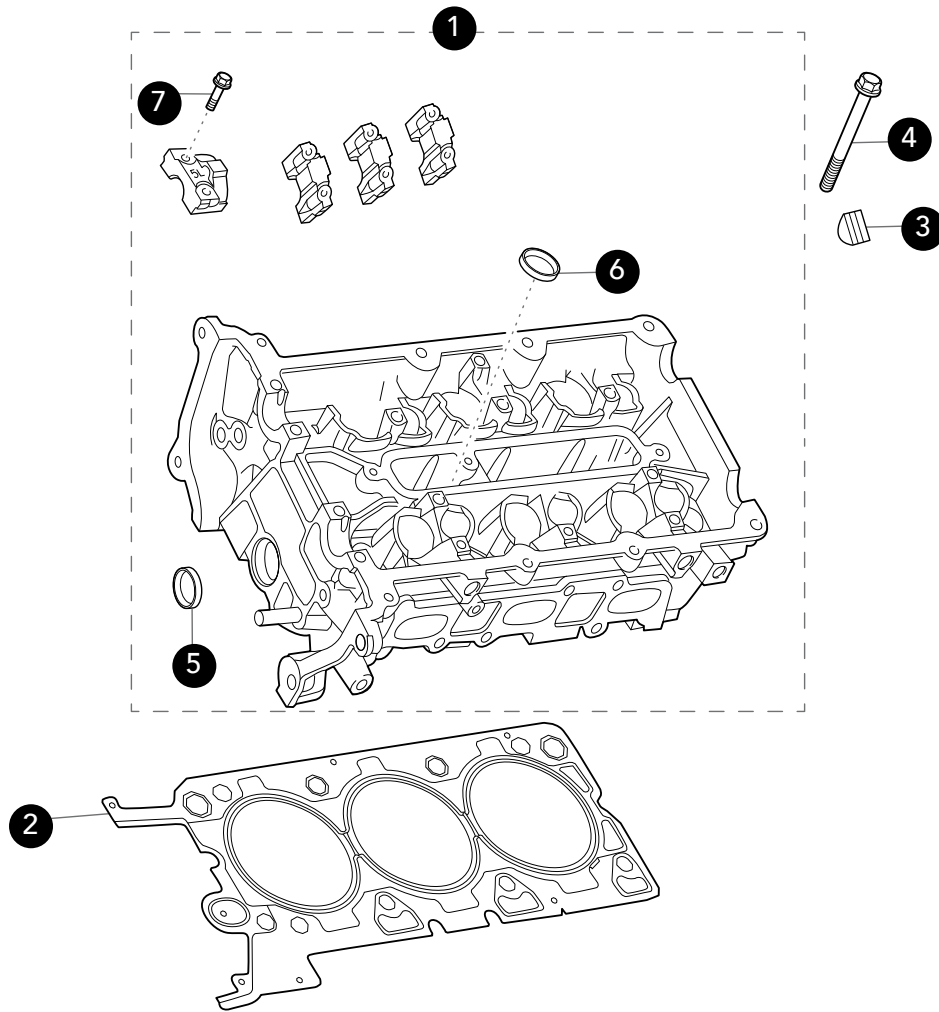
ENGINE V6 PETROL

CRANKSHAFT



1. Crankshaft				9. Crankshaft Main Bearing			
2.5 V6	XR819427	1		Lower			
3.0 V6	C2S14121	1		Grade 1	XR852359	3	
2. Woodruff Key	XR85311	1		Grade 2	XR852360	3	
3. Timing Disc	C2S13160	1		Grade 3	XR852361	3	
4. Crankshaft Front Oil Seal	C2S48116	1		10. Crankshaft Thrust Bearing			
5. Crankshaft Damper	XR854185	1		Lower			
6. Flat Washer	XR85152	1		Grade 1 to VIN L86901	XR852362	1	
7. Damper to Crankshaft Bolt	XR816493	1		Grade 1 from VIN L86902	XR852362	1	
8. Crankshaft Main Bearing				Grade 2	XR852363	1	
Upper				Grade 3 VIN M45255	XR852364	1	
Grade 1	C2S52123	4		to VIN N52047			
Grade 2	C2S52124	4		Grade 3 from VIN N52048	XR852364	1	
Grade 3 to VIN L86901	XR85393	4		11. Crankshaft Thrust Washer			
Grade 3 from VIN L86901	C2S52125	4		Upper to VIN M45254	C2S12612	1	
				Upper from VIN M45255	AJ88631	1	
				12. Crankshaft Rear Oil Seal	AJ89510	1	

ENGINE V6 PETROL CYLINDER HEAD



1. Cylinder Head

2.5 V6

With Valves

LH B-Bank C2S15163 1

RH A-Bank C2S15160 1

3.0 V6

LH B-Bank

With Valves

To VIN M45254 XR828329 1

From VIN M45255 C2S15162 1

RH A-Bank

With Valves

To VIN M45254 XR828328 1

From VIN M45255 C2C29497E 1

2. Cylinder Head Gasket

2.5 V6

LH B-Bank

XR857984 1

RH A-Bank

C2S44649 1

3.0 V6

LH B-Bank

XR857983 1

RH A-Bank

XR857982 1

3. Insert

XR85240 4

4. Cylinder Head Bolt

XR85387 16

5. Plug

XR85317 6

6. Plug

XR85318 2

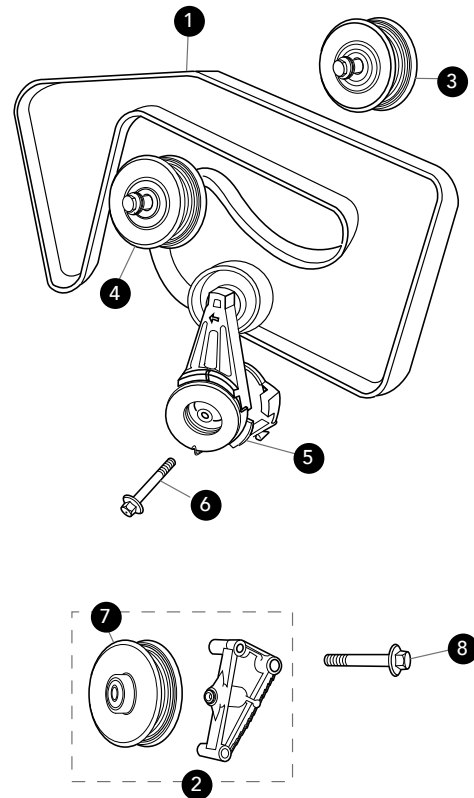
7. Camshaft Cap Bolt

XR851882 1

ENGINE V6 PETROL

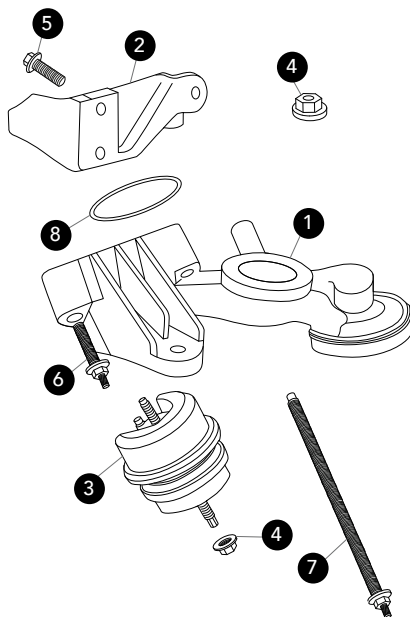
DRIVE BELTS & PULLEYS

1. Engine Drive Belt			
To VIN M45254	AJ84136		1
VIN M45254 to VIN M62935	C2C28085		1
From VIN M62936	AJ89034		1
2. Idler Pulley			
VIN L86902 to VIN M62935	XR828449		1
3. Idler Pulley			
	AJ89037		1
4. Idler Pulley			
	AJ89037		1
5. Drive Belt Tensioner			
To VIN L75999	XR86445		1
From VIN L76000	C2S45579		1
6. Hexagonal head flanged bolt			
	C2S26052		1
7. Idler Pulley			
To VIN L86901	XR816256		1
8. Bolt			
	AJ87744		3



ENGINE V6 PETROL

ENGINE MOUNTINGS



1. Oil Filter Adaptor	XR835640	1
2. Engine Mounting Bracket		
RH	C2C28885	1
3. Engine Mounting		
RH and LH	XR854274	2
4. Nut and Washer		
To VIN M45254	XR81909	4
From VIN M45255	XR848057	4
5. Screw		
	C2Z2689	3
6. Flange head screw		
	C2S26063	1
7. Stud		
	AJ86503	1
8. Sealing Ring		
	XR816242	1

ENGINE V6 PETROL EXHAUST MANIFOLDS

1. Exhaust Manifold

LH B-Bank

To VIN M62935

XR829225

1

From VIN M62936

AJ84561

1

RH A-Bank

To VIN L86901

XR829224

1

Except EGR

From VIN L86902

XR835370

1

With EGR

From VIN M45255

AJ84560

1

2. Exhaust Manifold Gasket

C2S33620

2

3. Shield

LH B-Bank

XR815336

1

RH A-Bank

XR815335

1

4. Flange Screw

XR822535

6

5. Cylinder Head Stud

XR857657

12

6. Flanged Nut

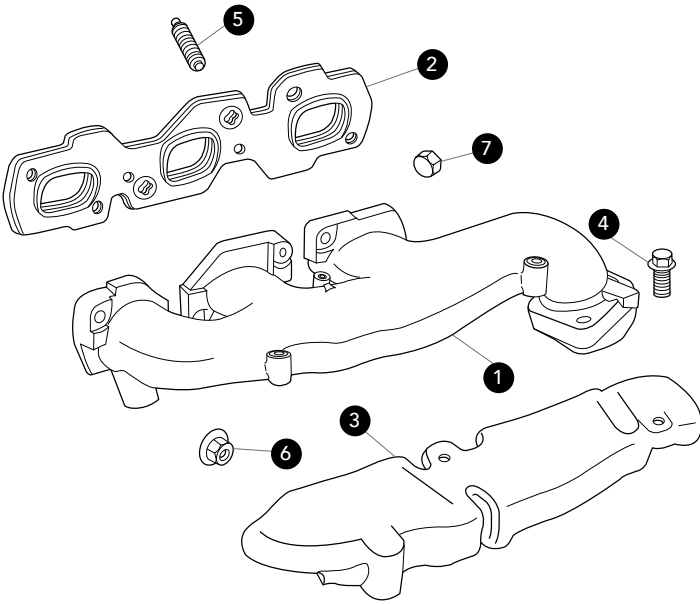
XR820361

12

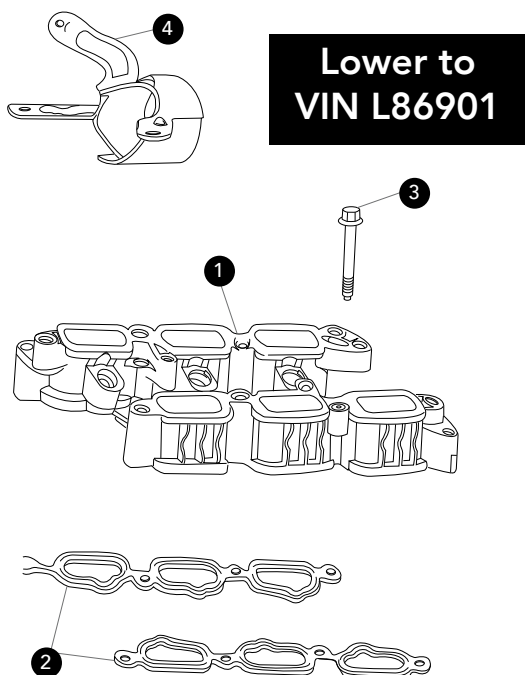
7. Blanking Plug

XR845995

1



ENGINE V6 PETROL INLET MANIFOLDS



Inlet Manifold Lower to L86901

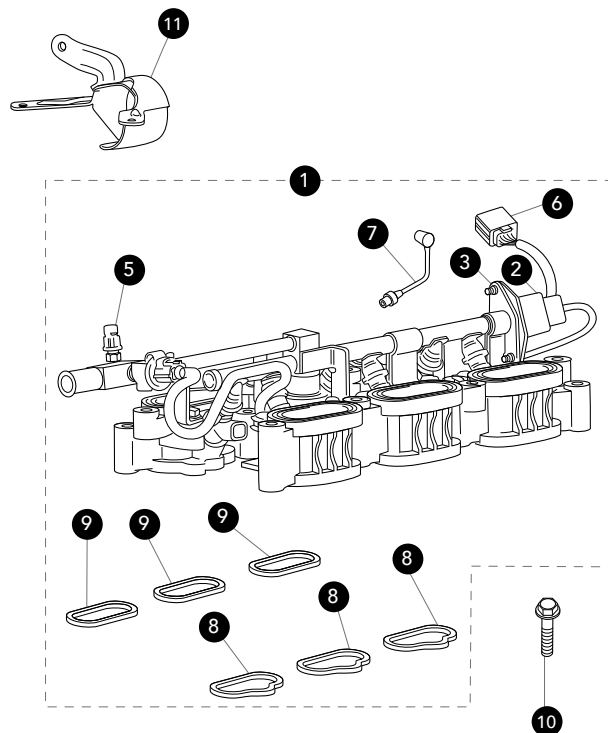
1. Inlet Manifold			
LH B-Bank	XR815343	1	
RH A-Bank	XR816247	1	
2. Inlet Manifold Gasket	XR85398	2	
3. Manifold to Head Bolt	XR839898	4	
4. Deflector Shield	XR819511	1	

Inlet Manifold Lower from L86902

1. Inlet Manifold			
To VIN M45254	XR853369	1	
VIN M45255 to VIN N52047	XR854716	1	
From VIN N52048	C2C41691	1	
For Middle East Markets please contact Sales			
2. Fuel Pressure Sensor	AJ87977	1	
3. Screw/Washer			
M5 x 12mm	C2S24380	2	
M6 x 20mm	XR853371	5	

4. Fuel Temperature Sensor	AJ810514	1	
<i>(not shown)</i>			
5. Cap	XR85104	1	
6. Fuel Injector Harness			
To VIN N52047	XR822770	1	
From VIN N52048	XR849775	1	
7. Vacuum Hose			
To VIN M45254	XR811877	1	
From VIN M45255	XR845876	1	
8. Lower Inlet Manifold Gasket	XR843533	1	
9. Upper Inlet Manifold Gasket	XR84356006	6	
10. Manifold to Head Bolt	XR839898	4	
11. Deflector Shield	XR819511	1	
12. Vacuum Pipe	XR853367	1	
<i>(not shown)</i>			

Lower from VIN L86902

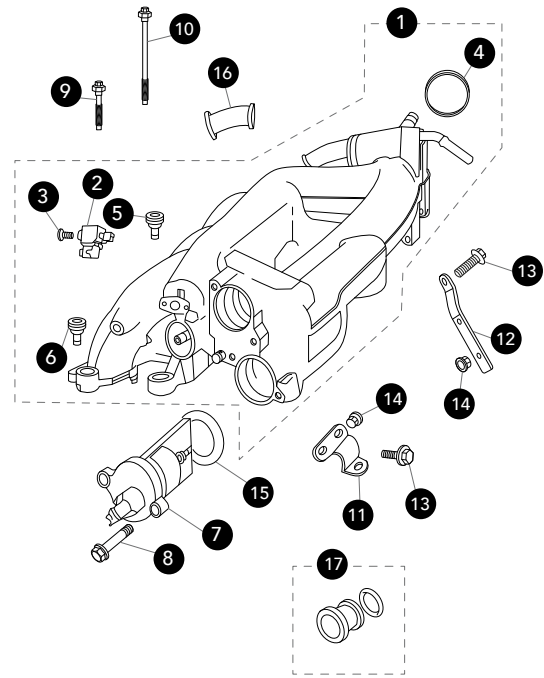
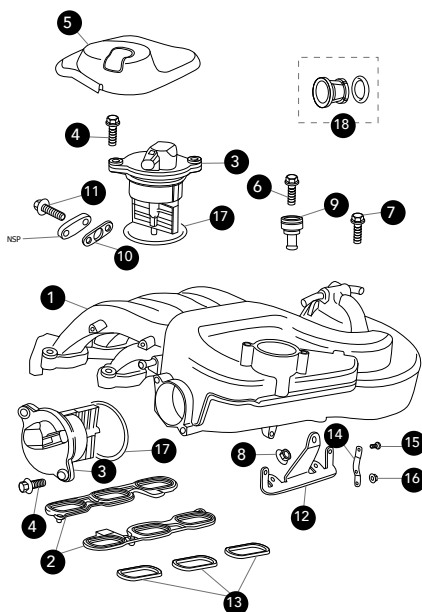


ENGINE V6 PETROL INLET MANIFOLDS

Inlet Manifold Upper up to M45254

1. Inlet Manifold	XR831751	1
2. Upper Inlet Manifold Gasket	XR85294	2
3. Control Valve	C2S42607	1
4. Hexagonal head flanged bolt		
To VIN L86901	XR85419	4
VIN L86902 to M45254	XR827995	4
5. Air Duct/Controle Module Cover	XR89657	1
6. Flanged Head Bolt	C2S26060	4
7. Flanged Head Bolt	XR839898	4
8. Hexagonal Flanged Nut	XR81670	4
9. Mounting Isolator		
To VIN L86901	XR85298	8
From VIN L86902 to M45254	XR824849	8
10. Gasket	NCE4774AA	1
11. Hexagonal Flange Screw	XR85164	2
12. Support Bracket	XR85296	1
13. Upper Inlet Manifold Gasket	XR84356006	6
14. Support Strut	XR85295	1
15. Flange Head Screw	XR816262	1
16. Nut and Washer	XR81543	1
17. Seal	C2S40669005	1
18. Brake Booster vacuum hose connector kit	C2S15816	1

Upper to VIN M45254



Upper from VIN M45255

Inlet Manifold Upper from M45255

1. Inlet Manifold	C2C26185	1
2. Map Sensor	AJ82763	1
3. Screw	AJ87995	2
4. Throttle Body Gasket	XR819852	1
5. Inner Mounting Isolator	C2S14725	2
6. Mounting Isolator	XR824849	4
7. Control Valve	C2S42607	1
8. Hexagonal head flanged bolt	XR827995	4
9. Manifold to Head Bolt	XR839898	3
10. Manifold to Head Bolt	C2S26060	3
11. Support Bracket	C2S18893	1
12. Support Bracket	XR832321	1
13. Flange Head Screw	XR816262	2
14. Hexagonal flange nut	XR81670	2
15. Seal	C2S40669	1
16. Hose	XR854070	1
17. Brake Booster vacuum hose connector kit	C2S15816	1

ENGINE V6 PETROL

OIL COOLER

1. Oil Cooler

M20 Fitting

to VIN M45254 XR827038 1

M12 Fitting

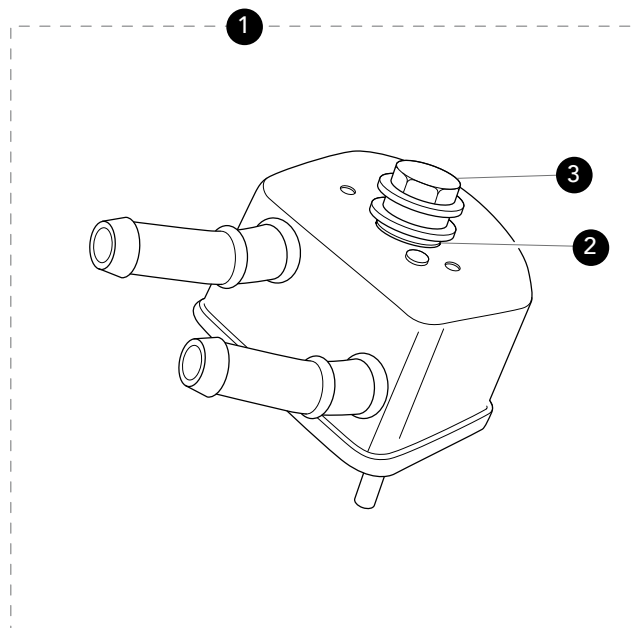
to VIN M45254 C2S47227 1

From VIN M45255 C2S47227 1

3. Sealing Washer

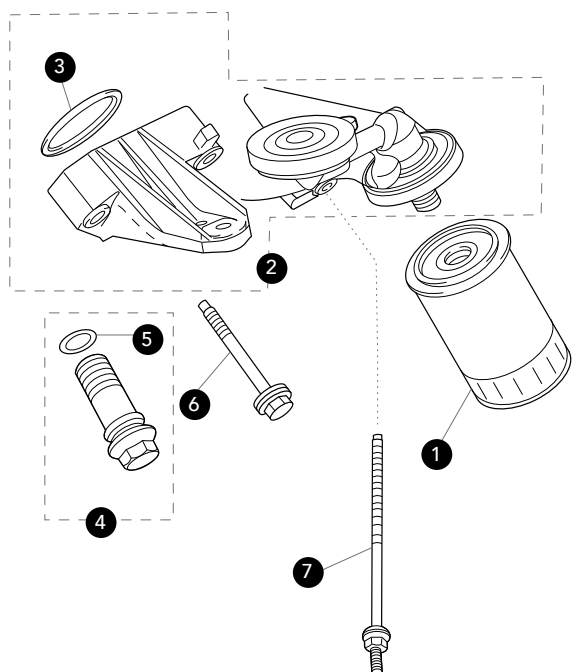
To VIN L00599 JLM21004 1

From VIN M62936 AJ87274 1



ENGINE V6 PETROL

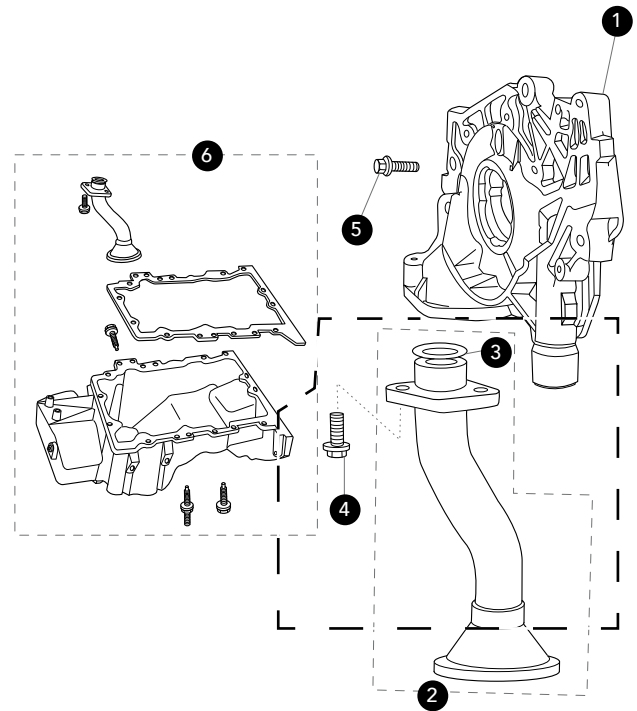
OIL FILTER



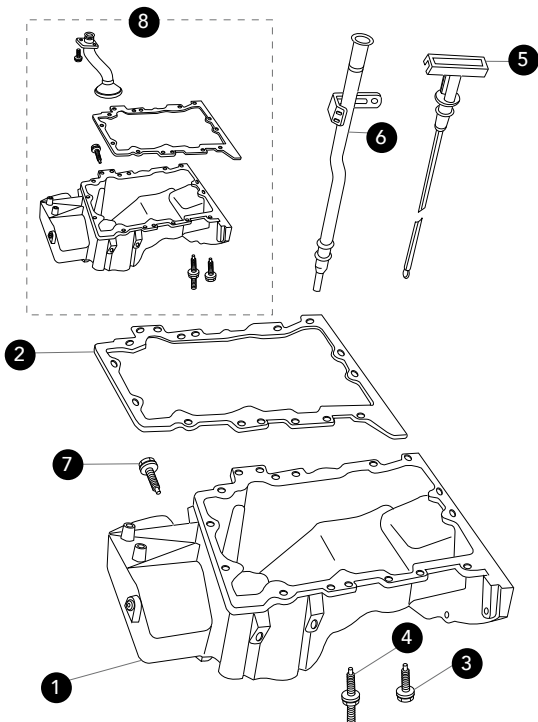
1. Oil Filter	XR858593	1
2. Oil Filter Adaptor	AJ85632	1
3. Sealing Ring		
To VIN M45254	XR816242	1
From VIN M45255	XR824893	1
4. Mounting Bolt	XR853086	1
5. Sealing Ring	XR85180	1
6. Flange Head Screw	C2S26063	2
7. Stud	AJ86503	1

ENGINE V6 PETROL OIL PUMP

1. Oil Pump	AJ810678	1
2. Oil Pick Up Pipe		
To Engine 110465XXX	XR849717	1
From Engine 110466XXX	XR827654	1
3. Oil suction pipe gasket	XR85094	1
4. Flange Head bolt	XR85307	2
5. Bolt	XR811830	4
6. Oil pan and pick up pipe kit		
To Engine 110465XXX	XR849717	1

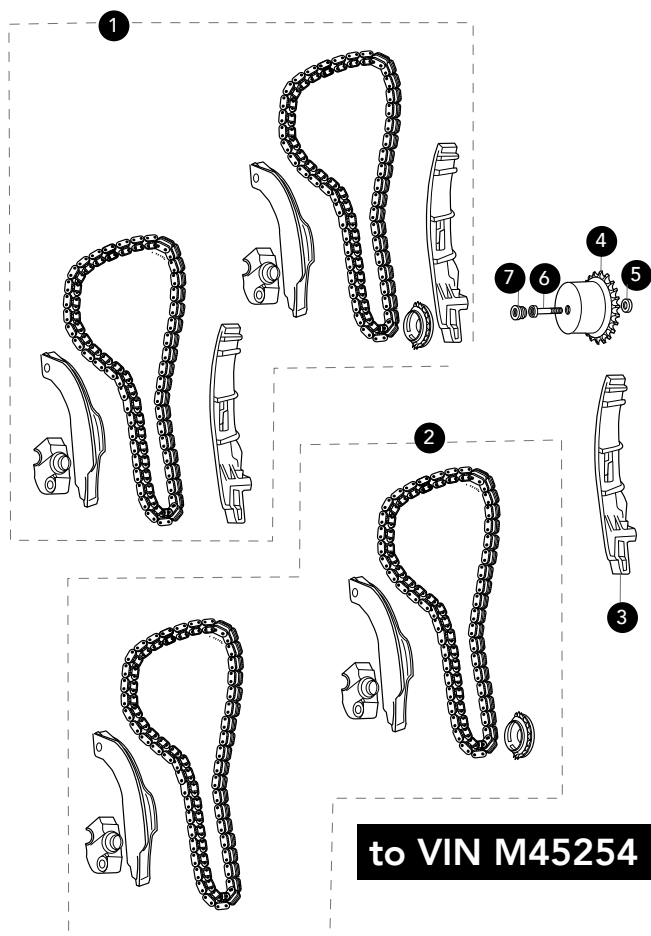


ENGINE V6 PETROL OIL SUMP & DIPSTICK



1. Engine Oil Sump Pan	XR855871	1
2. Oil Sump Gasket	C2S43270	1
3. Bolt and Washer	C2S32994	13
4. Stud	XR832557	2
5. Engine Oil Dipstick		
To VIN L37177	XR813550	1
From VIN L37178	XR834936	1
6. Dipstick Tube	XR85525	1
7. Drain Plug	XR820128	1
8. Oil Pan and pick up pipe kit		
To Engine 110465XXX	XR849717	1

ENGINE V6 PETROL TIMING CHAINS

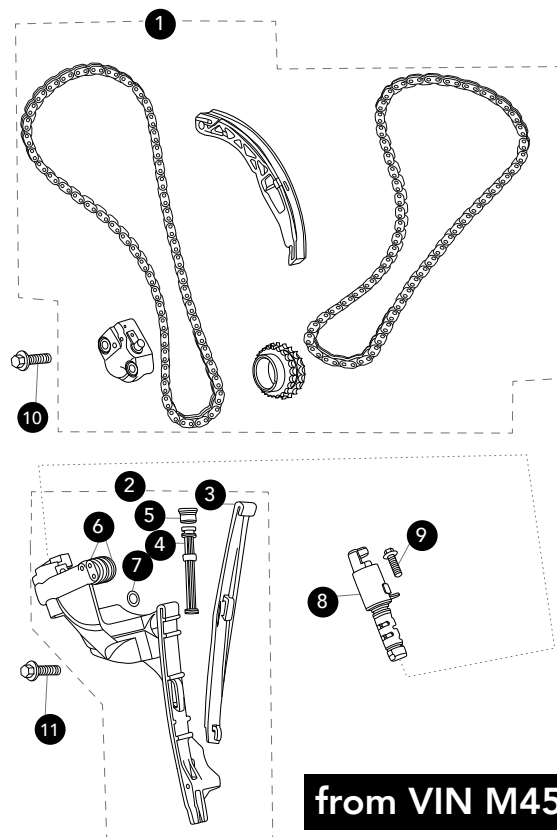


Timing Chain V6 up to VIN M45254

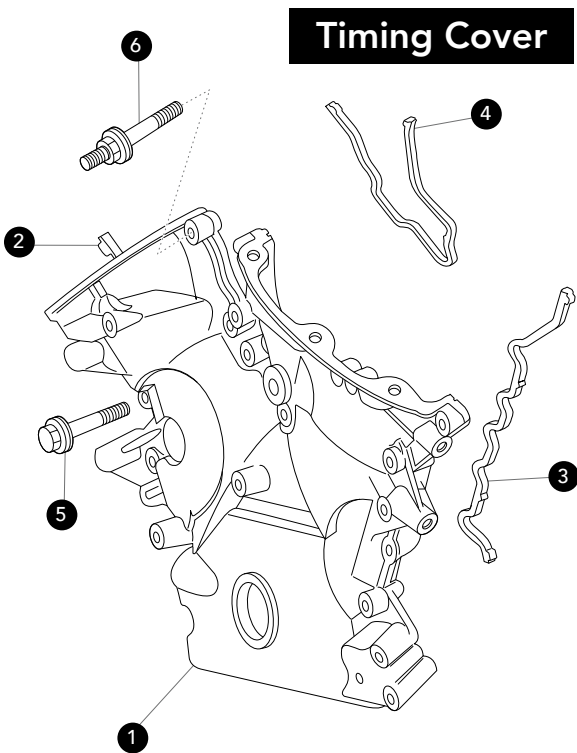
1. Timing Chain Kit			
To VIN L75999	XR83320	1	
2. Timing Chain	C2S46348	1	
3. Chain Guide			
LH B-Bank	XR85175	1	
RH A-Bank	XR819504	1	
4. Camshaft Sprocket			
To VIN L75999	XR83323	2	
VIN L76000 to M45254	XR816241	2	
5. Shim Spacer	XR85239	1	
6. Bolt	XR85219	2	
7. Screw Plug	XR85321	2	

Timing Chain V6 from VIN M45255

1. Timing Chain Kit	C2S46348	1
2. Solenoid Housing		
LH B-Bank	C2C8280	1
RH A-Bank	C2C8277	1
3. Chain Guide	C2C8279	1
4. Oil Filter	C2C8282	1
5. Oil Filter Plug	C2C8283	1
6. Seal	C2C8281	2
7. O Ring	C2C8278	1
8. Solenoid Valve	AJ810570	2
9. Bolt	JFS10616B	2
10. Hexagonal head flanged bolt	XR85422	4
11. Bolt		
M8 x 44mm LH B-Bank	XR85422	2
M8 x 22mm LH B-Bank	C2S26061	1
M8 x 26mm RH A-Bank	XR85423	3



ENGINE V6 PETROL TIMING CHAINS



Timing Cover V6

1. Timing Cover			
To VIN M45254	XR824947		1
VIN M45255 to VIN M62935	C2S16388		1
From VIN M62935	XR857347		1
2. Timing Cover Gasket			
RH A-Bank	XR85358		1
3. Timing Cover Gasket			
LH B-Bank	XR85360		1
4. Timing Cover Gasket			
Centre	XR85359		1
5. Bolt			
To VIN N65077	C2S6056		15
From VIN N65078	XR856282		15
6. Stud Bolt	C2S26066		1



ENGINE V8 PETROL

CAMSHAFTS & VALVES

1. Inlet Camshaft

4.0 V8 to VIN M45254

LH B-Bank NRA2503AB 1

RH A-Bank NRA2502AB 1

4.2 V8 from VIN M45255

LH B-Bank AJ82310 1

RH A-Bank AJ82309 1

4.2 Supercharged V8

LH B-Bank

VIN M45255 to VIN N52047 AJ83599 1

From N52048 AJ82310 1

RH A-Bank

VIN M45255 to VIN N52047 AJ83597 1

From N52048 AJ82309 1

2. Timing Ring

4.0 V8 to VIN M45254 NRA2612BA 2

4.2 V8 from VIN M45255 NNE2613DA 2

3. Exhaust Camshaft

4.0 V8 to VIN M45254

LH B-Bank NRA2505AA 1

RH A-Bank NRA2504AA 1

4.2 V8 from VIN M45255

LH B-Bank AJ83576 1

RH A-Bank AJ83575 1

4.2 Supercharged V8

LH B-Bank

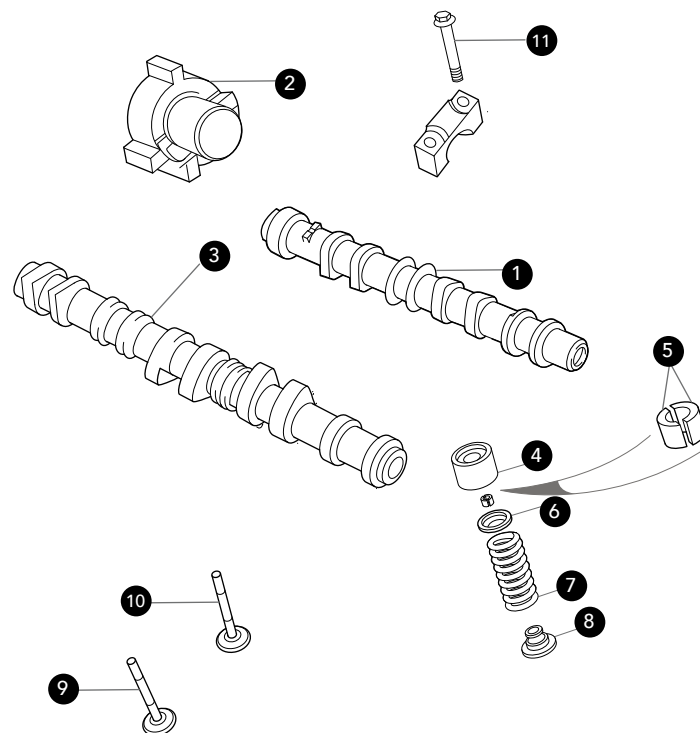
From VIN M45255 to VIN N52047 AJ83603 1

From VIN N52048 AJ83576 1

RH A-Bank

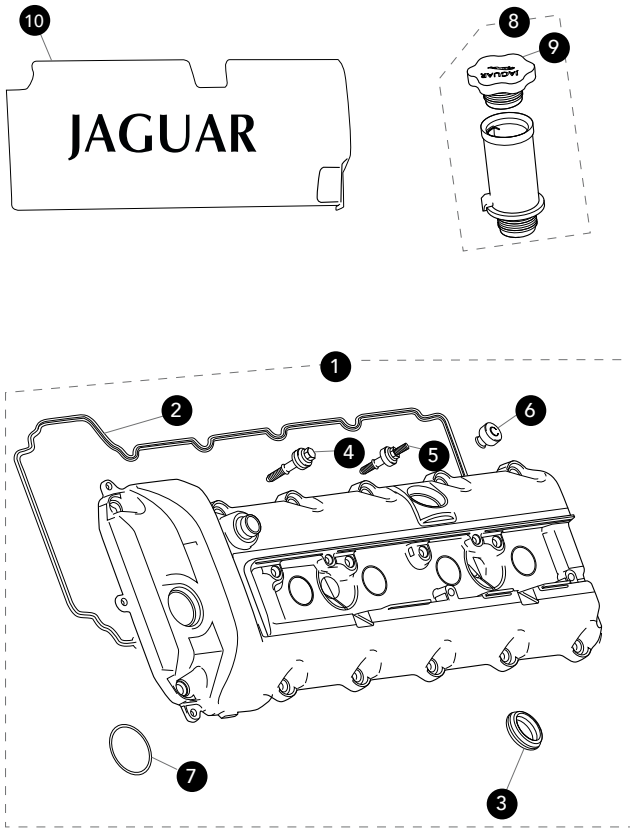
From VIN M45255 to VIN N52047 AJ83601 1

From VIN N52048 AJ83575 1



4. Tappet	AJ83694	32
5. Valve Cotter	EAZ1317	64
6. Valve Collar	NCA2517BA	32
7. Valve Spring	AJ87950	32
8. Valve Spring Seat	NCE2528AC	32
9. Inlet Valve	AJ810945	16
10. Exhaust Valve	NCA2532AA	16
11. Camshaft Cap Bolt	JFC106076	40

ENGINE V8 PETROL CAMSHAFT COVERS & GASKETS



1. Camshaft Cover

4.0 Litre V8			
LH B-Bank	AJ810690	1	
RH A-Bank	AJ811012	1	
4.2 Litre V8			
LH B-Bank	AJ812392	1	
RH A-Bank	AJ89075	1	
4.0 Supercharged			
LH B-Bank	C2C40021	1	
RH A-Bank	AJ89076	1	

2. Camshaft Cover Gasket

4.0 Litre V8			
LH B-Bank	AJ88285	1	
RH A-Bank	AJ88400	1	
4.2 Litre V8			
LH B-Bank	AJ812402	1	
RH A-Bank	AJ812399	1	
4.2 Litre Supercharged V8			
LH B-Bank	AJ812402	1	
RH A-Bank	AJ821399	1	

3. Spark Plug Boss Seal

4.0 Litre V8	AJ87206	4	
4.2 Litre V8	AJ86874	8	
4.2 Litre Supercharged V8	AJ86874	8	

4. Grommet

4.0 Litre V8	NCA2575CA010	8	
4.2 Litre V8	AJ810628	8	
4.2 Litre Supercharged V8	AJ810628	8	

5. Stud

4.0 Litre V8	AJ810512	5	
4.0 Litre V8	AJ810511	3	
4.2 Litre V8	AJ810629	8	
4.2 Litre Supercharged V8	AJ810629	8	

6. Grommet

4.2 Litre V8	AJ810631	1	
4.2 Litre Supercharged V8	AJ810631	1	

7. Valve Seal

AJ82856	1	
---------	---	--

8. Oil Filler Pipe

4.0 Litre V8	XR854308	1	
4.2 Litre V8	AJ88581	1	

9. Oil Filler Cap

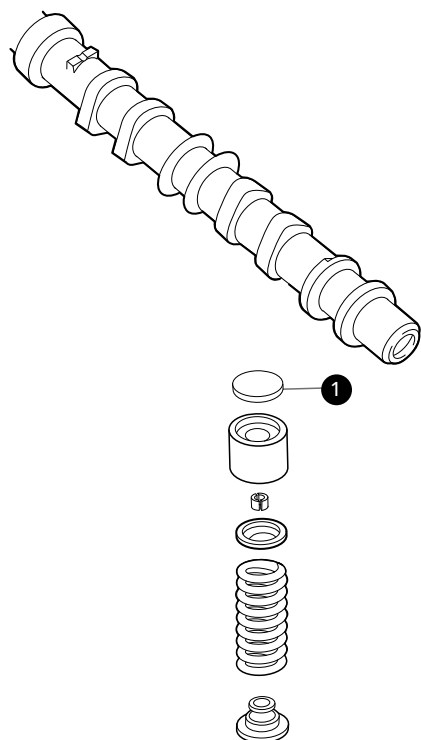
AJ87922	1	
---------	---	--

10. Coil Cover

4.0 Litre V8 (RH+LH)	AJ89679	2	
4.2 Litre V8 (RH+LH)	AJ86177	2	
4.2 Litre Supercharged V8 (RH+LH)	AJ86177	2	

ENGINE V8 PETROL

TAPPET ADJUSTMENT SHIMS



1. Tappet Adjustment Shim

2.18mm	AJ84884	A/R
2.195mm	AJ84886	A/R
2.21mm	AJ84887	A/R
2.225mm	AJ84888	A/R
2.24mm	AJ84889	A/R
2.255mm	AJ84890	A/R
2.27mm	AJ84891	A/R
2.285mm	AJ84892	A/R
2.315mm	AJ84894	A/R
2.33mm	AJ84895	A/R
2.345mm	AJ84896	A/R
2.36mm	AJ84897	A/R
2.375mm	AJ84898	A/R
2.39mm	AJ84899	A/R
2.3mm	AJ84893	A/R
2.405mm	AJ84900	A/R
2.42mm	AJ84901	A/R

2.435mm	AJ84903	A/R
2.45mm	AJ84904	A/R
2.465mm	AJ84905	A/R
2.48mm	AJ84906	A/R
2.495mm	AJ84907	A/R
2.51mm	AJ84908	A/R
2.525mm	AJ84909	A/R
2.54mm	AJ84910	A/R
2.555mm	AJ84911	A/R
2.57mm	AJ84912	A/R
2.585mm	AJ84913	A/R
2.615mm	AJ84915	A/R
2.63mm	AJ84916	A/R
2.645mm	AJ84917	A/R
2.66mm	AJ84918	A/R
2.675mm	AJ84920	A/R
2.69mm	AJ84921	A/R
2.6mm	AJ84914	A/R
2.705mm	AJ84922	A/R
2.72mm	AJ84923	A/R
2.735mm	AJ84924	A/R
2.75mm	AJ84925	A/R
2.765mm	AJ84926	A/R
2.78mm	AJ84927	A/R
2.795mm	AJ84928	A/R
2.81mm	AJ84929	A/R
2.825mm	AJ84930	A/R
2.84mm	AJ84931	A/R
2.855mm	AJ84932	A/R
2.87mm	AJ84933	A/R
2.885mm	AJ84934	A/R
2.915mm	AJ84937	A/R
2.9mm	AJ84935	A/R

ENGINE V8 PETROL PISTONS & CONNECTING RODS

1. Piston

4.0 Litre V8

Grade 1

To Engine 0008181042	AJ81397	8
From Engine 0008181043 to VIN M45254	AJ85343	8

Grade 2

To Engine 0008181042	AJ81398	8
From Engine 0008181043 to VIN M45254	AJ85344	8

Grade 3

Engine 0008181042	AJ81399	8
Engine 0008181043 to VIN M45254	AJ85345	8

4.2 V8

Grade 1	AJ89915	8
Grade 2	AJ89916	8
Grade 3	AJ89917	8

4.2 Supercharged V8

Grade 1	AJ811213	8
Grade 2	AJ811214	8
Grade 3	AJ811215	8

2. Piston Ring Kit

4.0 Litre V8

To Engine 0008181042	JLM20929	8
From Engine 0008181043 to VIN M45254	JLM21635	8

4.2 Litre V8	C2C28473	8
--------------	----------	---

4.2 Litre Supercharged	C2C28473	8
------------------------	----------	---

3. Circlip

4.0 V8	EAZ1268	16
--------	---------	----

4.2 V8 VIN M45255 to VIN N13088	AJ83592	16
---------------------------------	---------	----

4.2 V8 from VIN N13089	EAZ1268	16
------------------------	---------	----

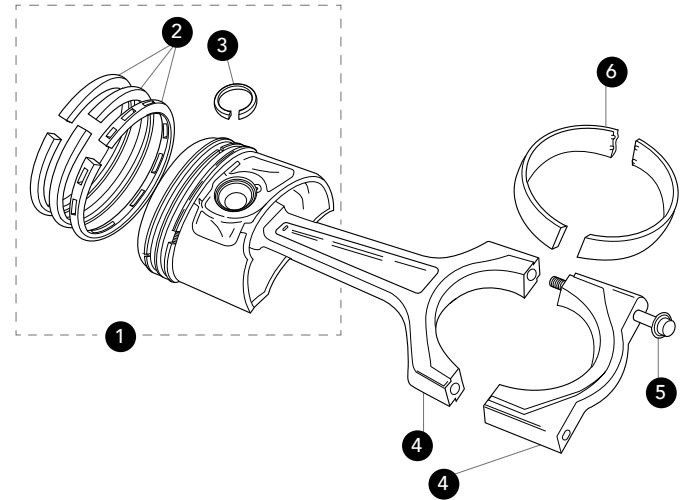
4.2 Supercharged VIN M45255 to VIN N13088	AJ86821	16
---	---------	----

4.2 Supercharged from VIN N52048	AJ83592	16
----------------------------------	---------	----

4. Connecting Rod

4.0 Litre V8

To Engine 0108122359	NCA1610BAE	8
From Engine 0108130000 to VIN M45254	AJ812160	8



4.2 Litre V8

From VIN M45255 to VIN N79700	AJ812160	8
-------------------------------	----------	---

From VIN N79701	AJ810400	8
-----------------	----------	---

4.2 Litre Supercharged V8	AJ812162	8
---------------------------	----------	---

5. Connecting Rod Bolt

4.0 Litre V8

To Engine 0108122359	NCA1614AA	16
----------------------	-----------	----

From Engine 0108130000 to VIN M45254	AJ82696	16
--------------------------------------	---------	----

4.2 Litre V8	AJ82696	16
--------------	---------	----

4.2 Litre Supercharged V8	AJ82696	16
---------------------------	---------	----

6. Big End Bearing Shell

To Engine 0108122359

Blue	NCC1612BA2	16
------	------------	----

Green	NCC1612BA3	16
-------	------------	----

Yellow	NCC1612BA4	16
--------	------------	----

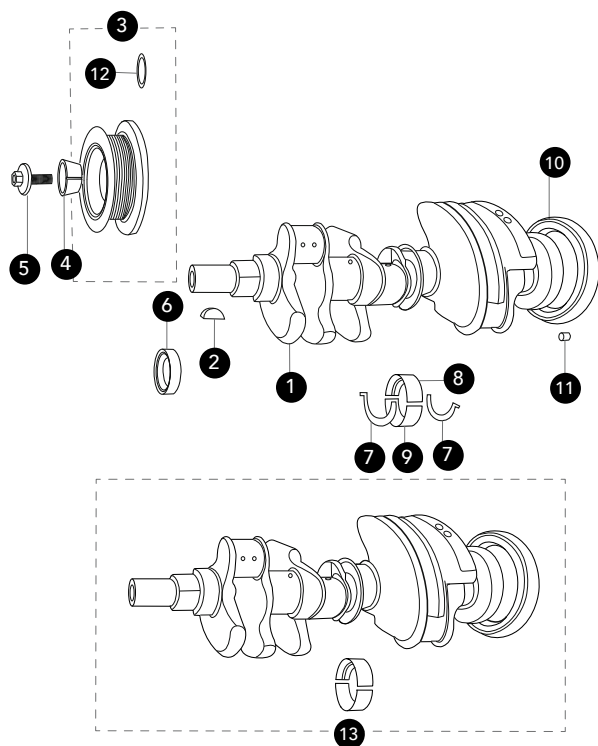
From Engine 0108130000

Blue	AJ83902	16
------	---------	----

Green	AJ83903	16
-------	---------	----

Yellow	AJ83904	16
--------	---------	----

ENGINE V8 PETROL CRANKSHAFT



1. Crankshaft

4.0 Litre V8

To Engine 0108122359 JLM21735E 1

From Engine 0108130000 to
VIN M45254 AJ84552 1

4.2 Litre V8 AJ89617 1

4.2 Litre Supercharged V8 AJ89617 1

2. Woodruff Key JZY100001 1

3. Crankshaft Damper

4.0 Litre V8

To Engine 0108122359 AJ81329 1

From Engine 0108130000 to
VIN M45254 AJ85386 1

4.2 Litre V8 AJ811116 1

4.2 Litre Supercharged V8 AJ811117 1

4. Split Collet AJ89854 1

5. Damper Bolt AJ89909 1

6. Crankshaft Front Oil Seal AJ83698 1

7. Crankshaft Thrust Washer NCE1412BA 1

8. Crankshaft Main Bearing

Upper

Blue AJ84638 5

Blue/Green

To VIN M45254 NCA1404AA1 5

From VIN M45255 AJ84636 5

Brown

To VIN M45254 NCA1404AA5 5

From VIN M45255 AJ84641 5

Green

To VIN M45254 NCA1404AA3 5

From VIN M45255 AJ84639 5

Yellow AJ84640 5

9. Crankshaft Main Bearing

Lower:

Blue AJ84632 5

Blue/Green AJ84630 5

Brown AJ84635 5

Green

To VIN M45254 NCA1406AA3 5

From VIN M45255 AJ84633 5

Yellow

To VIN M45254 NCA1406AA4 5

From VIN M45255 AJ84634 5

10. Crankshaft Rear Oil Seal AJ83744 1

11. Dowel AJ81478 1

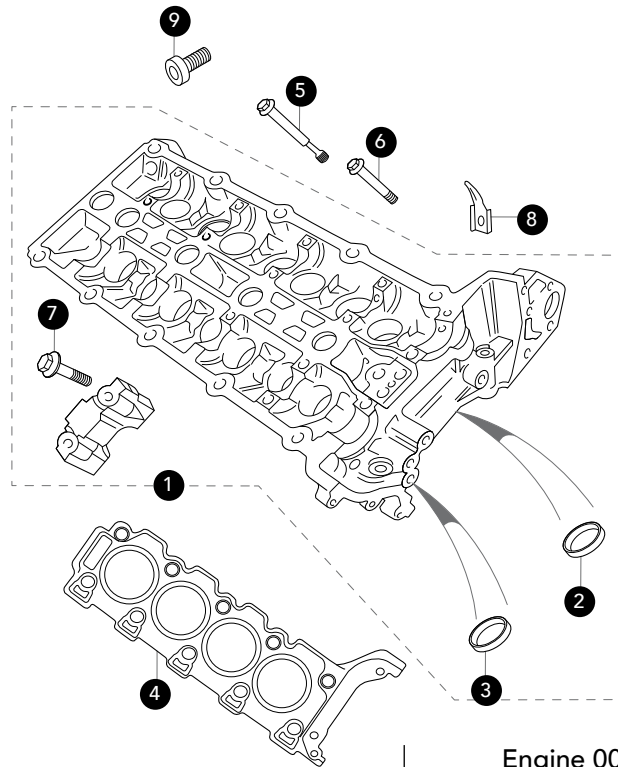
12. Damper To Crankshaft
Sealing Ring XR81139 1

13. Crankshaft

4.0 Litre V8

Kit - Complete With
Bearings - Exchange JLM21735E 1

ENGINE V8 PETROL CYLINDER HEAD



1. Cylinder Head

With Valves

4.0 Litre V8

LH B-Bank	XR824633	1
RH A-Bank	C2A1012	1

Except 4.0 Litre V8

LH B-Bank	AJ810852	1
RH A-Bank	AJ810851	1

2. Inlet Valve Seat Insert

Without 3 angle valve seat EAZ1463 8

With 3 angle valve seat NCE2522AA 8

3. Exhaust Valve Seat Insert

Without 3 angle valve seat EAZ1904 8

With 3 angle valve seat NCE2521AA 8

4. Cylinder Head Gasket

LH B-Bank

To VIN N52047	AJ88988	1
From VIN N52048	AJ88988	1
To Engine 0008210147	NCC2541BC	1
Engine 0008210148 to 0008311116	AJ88988	1

Engine 0008311117 to 0008311709 NCC2541BC 1

Engine 0008311710 to VIN M21729 AJ88988 1

RH A-Bank

To VIN N52047 AJ88987 1

From VIN N52048 AJ88987 1

To Engine 0008210147 NCC2540BC 1

Engine 0008210148 to 0008311116 AJ88987 1

Engine 0008311117 to 0008311709 NCC2540BC 1

Engine 0008311710 to VIN M21729 AJ88987 1

5. Cylinder Head Bolt

M10 x 175mm AJ89986 20

6. Flange Head Bolt JDE4411 4

7. Hexagonal Head Bolt

M6 x 35mm C2C3872 40

8. Sensor Bracket

4.2 Litre Supercharged - Camshaft AJ85633 2

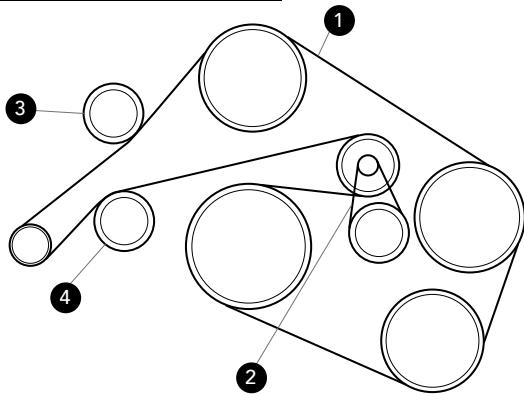
9. Hexagon Head Screw

M14 - From VIN M45255 AJ89642 1

ENGINE V8 PETROL

DRIVE BELTS & PULLEYS

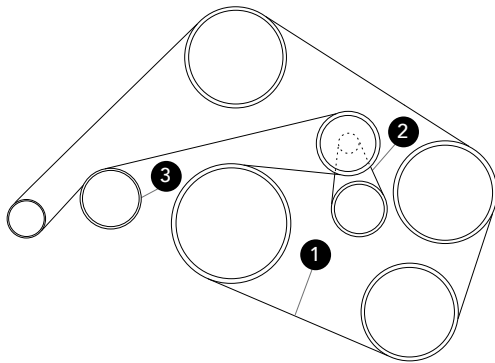
to VIN M45254



Drive Belt and Pulley to VIN M45254

1. Engine Drive Belt	XR830447	1
2. Drive Belt Tensioner	XR823687	1
3. Idler Pulley		
Upper	XR837675	1
4. Idler Pulley		
Lower	XR837676	1

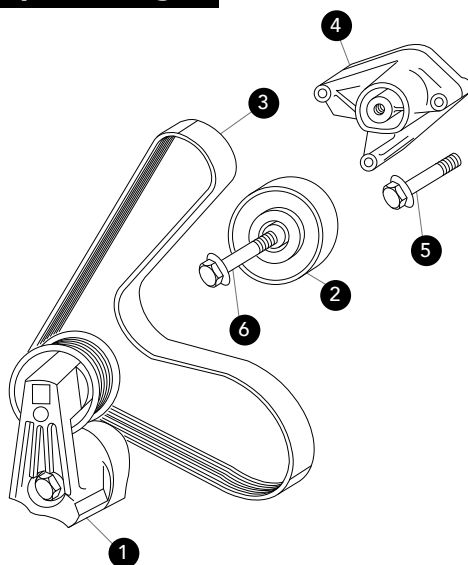
from VIN M45255



Drive Belt and Pulley from VIN M45255

1. Engine Drive Belt	C2C37063	1
2. Drive Belt Tensioner	C2C36146	1
3. Idler Pulley	C2C37064	1

Supercharger

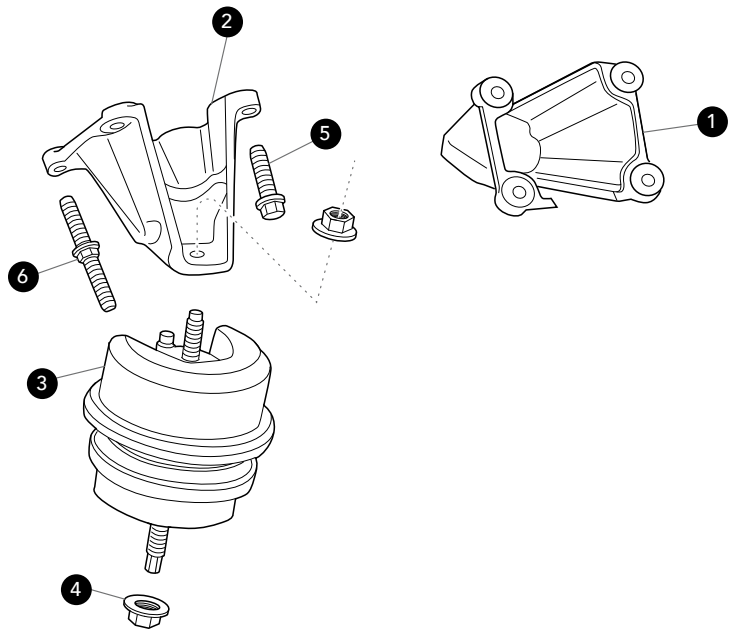


Supercharger Drive Belt

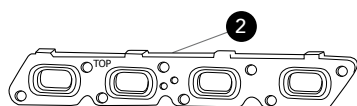
1. Drive Belt Tensioner	C2C37057	1
2. Idler Pulley	C2C46862	1
3. Supercharger Drive Belt	C2C37055	1
4. Idler Mounting Bracket	C2C37056	1
5. Bolt		
M6 x 75mm	C2C35274	3
6. Hexagonal head flanged bolt		
M10 x 85mm	C2S26052	1

ENGINE V8 PETROL ENGINE MOUNTINGS

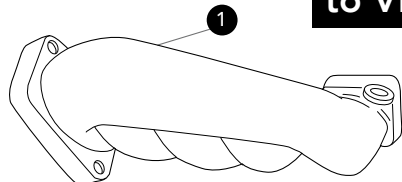
1. Engine Mounting Bracket			
LH side	C2P5731	1	
2. Engine Mounting Bracket			
RH side	C2P5730	1	
3. Engine Mounting			
Front Mounting			
To VIN M45254	XR857743	2	
From VIN M45255	C2C31215	2	
4. Nut and Washer			
To VIN M45254	XR81909	2	
From VIN M45255	XR848057	4	
5. Bolt			
M10 x 35mm	AJ88170	6	
6. Fastener Stud			
4.0 Engine to Chassis	XR82883	2	



ENGINE V8 PETROL EXHAUST MANIFOLDS



to VIN M45254



Exhaust Manifold V8 up to VIN M45254

1. Exhaust Manifold			
LH B-Bank	AJ81715	1	
RH A-Bank	AJ81714	1	
2. Exhaust Manifold Gasket			
	NCE2907AD	2	
3. Manifold to Head Screw			
	JZH100072	16	

Exhaust Manifold V8 from VIN M45255

1. Exhaust Manifold			
4.2 Litre V8			
LH B-Bank			
Up To VIN N52047	AJ85970	1	
From VIN N52048	AJ88908	1	
RH A-Bank			
	AJ88537	1	
4.2 Litre Supercharged V8			
LH B-Bank			
To VIN N52047	AJ83951	1	
From VIN N52048	AJ88909	1	
RH A-Bank			
To VIN N52047	AJ89467	1	
From VIN N52048	AJ88538	1	
2. Exhaust Manifold Gasket			
LH B-Bank	AJ810025	1	
RH A-Bank	AJ810024	1	

3. Exhaust Manifold Heatshield

LH B-Bank		
To VIN M99038	AJ82721	1
From VIN M99039	XR846012	1
RH A-Bank		
	XR845987	1

4. Stud

M8	AJ84571	16
----	---------	----

5. Hexagonal Flange Nut

M8	AJ89711	16
----	---------	----

6. Screw

	C2C26899	8
--	----------	---

7. Spacer

	NCA2923AC	16
--	-----------	----

8. Bolt

M8		
To VIN N57539	AJ81316	16
M8 x 50mm		
From VIN N57540	AJ88477	16

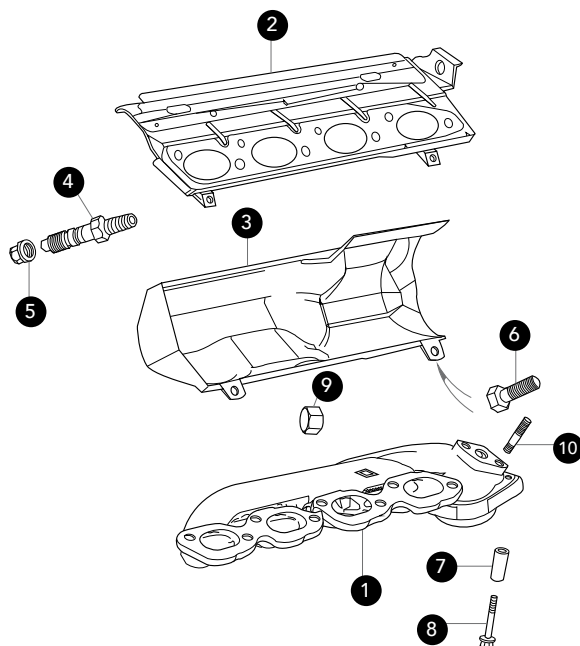
9. Blanking Plug

Except Air Injection	XR848927	1
----------------------	----------	---

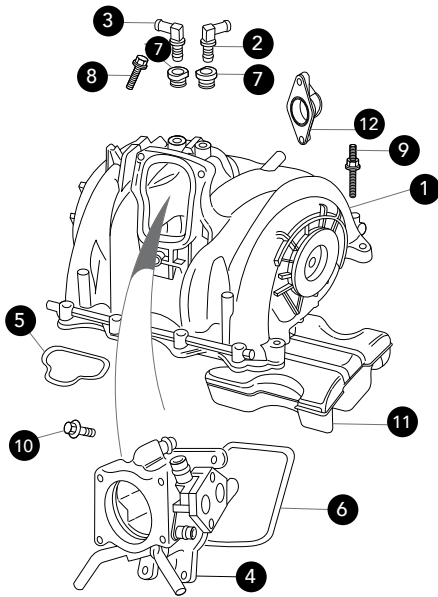
10. Stud

	AJ88495	2
--	---------	---

from VIN M45255



to VIN M45254

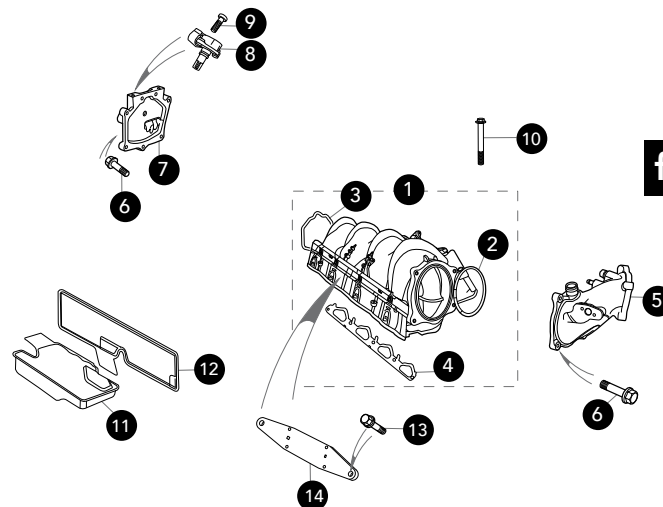


Inlet Manifold to VIN M45254

1. Inlet Manifold	AJ84075	1
2. Stub Pipe	NCE3193GA	1
3. Stub Pipe	NCE3193HA	1
4. Throttle Body Adaptor	AJ81382	1
5. Inlet Manifold Gasket	AJ83356	8
6. Throttle Housing to Manifold Seal	AJ83484	1
7. Outlet Elbow Seal	NCE3254AA	2
8. Bolt	C2C35271	9
9. Manifold Stud	AJ81210	1
10. Bolt	C2Z1354	4
11. Sound Insulator	AJ82996	1
12. Blanking Plug	NCE4826BA	1

Inlet Manifold from VIN M45255

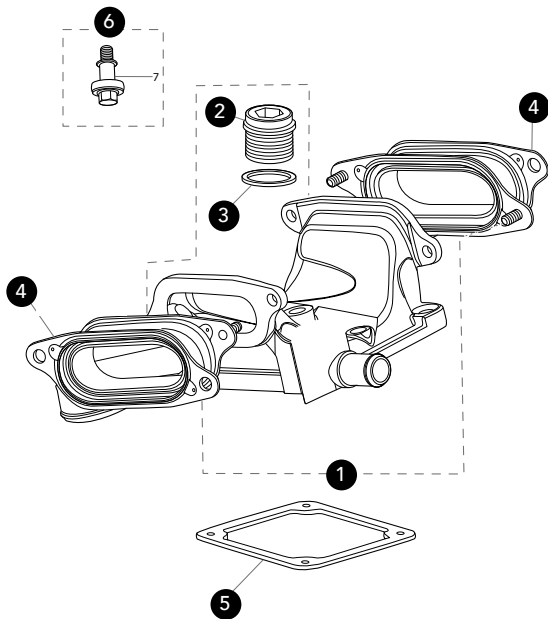
1. Inlet Manifold	AJ810598	1	6. Screw	C2Z1354	11
2. Manifold to induction elbow front seal	AJ87991	1	7. Inlet Manifold End Cover	AJ89615	1
3. Seal			8. Map Sensor		
VIN M45255 to VIN M93782	NCA3015BA	1	Up To VIN M62935	AJ82763	1
From VIN M93783	AJ87992	1	From VIN M62936	C2C22616	1
4. Inlet Manifold Gasket			9. Screw	AJ87995	2
To VIN N13088	AJ85392	2	10. Bolt and Washer	AJ81194	10
From VIN N13089	AJ89062	2	11. Sound Insulator	AJ84473	1
5. Induction Elbow			12. Sound Insulator	AJ84474	1
To VIN N52047	AJ89826	1	13. Screw	C2C18157	8
From VIN N52048	AJ8873	1	14. Bracket Mounting	AJ85861	2



from VIN M45255

ENGINE V8 PETROL INLET MANIFOLDS

Supercharger

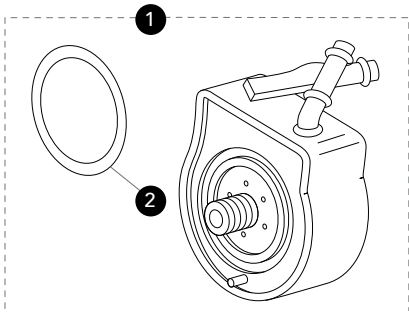


Induction Manifold - Supercharger

1. Induction Manifold			
LH B-Bank	AJ89824		1
RH A-Bank	AJ89843		1
2. Inlet Manifold Gasket			
To Vin N52047	AJ82528		2
From VIN N52048	AJ88047		1
3. Induction Manifold Adaptor			
LH B-Bank	AJ89953		1
RH A-Bank	AJ89952		1
4. Inlet Manifold Gasket			
	AJ85392		1
5. Pan head torx screw			
	C2C25942		16
6. Flange head bolt			
	C2S40512		10



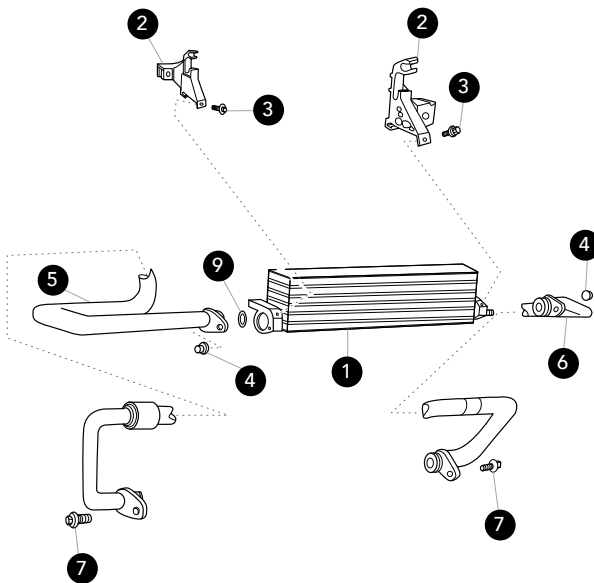
Naturally Aspirated



V8 Naturally Aspirated

1. Oil Cooler		
4.0 Litre V8	AJ81760	1
4.2 Litre V8	AJ87654	1
2. Sealing Ring	JLM21003	1

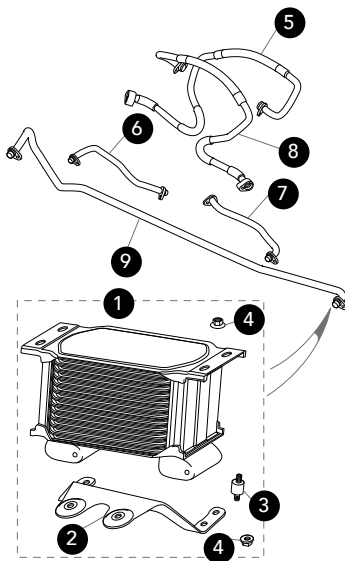
Supercharged up to VIN N13088



V8 Supercharged Up To (N13088)

1. Oil Cooler	C2C10447	1
2. Oil Cooler Mounting Bracket		
LH	C2C11518	1
RH	C2C11517	1
3. Flange Screw	XR822535	2
4. Pipe to Cooler Bolt	XR89924	2
5. Oil Cooler Hose		
Inlet	XR843463	1
6. Oil Cooler Hose		
Outlet	XR843462	1
7. Bolt	C2S26049	2
8. O-ring	KSH119530	1
9. Push on Clip	XR836021	2

Supercharged from VIN N13089



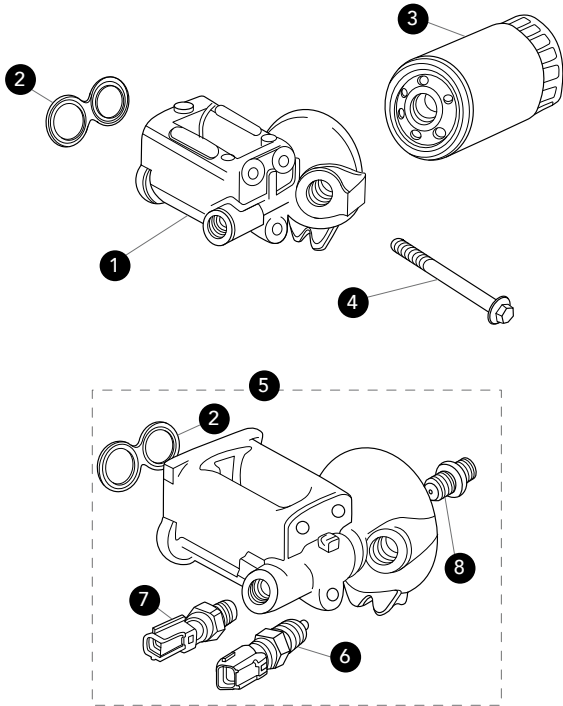
V8 Supercharged From (N13089)

1. Oil Cooler	XR857531	2
2. Oil Cooler Mounting Bracket	XR847904	1
3. Mounting Rubber	XR847905	4
4. Flange Nut	C2C8870	8
5. Oil Cooler Pipe		
Cooler to inlet	XR849090	1
6. Oil Cooler Pipe		
Engine to inlet pipe	XR857112	1
7. Oil Cooler Pipe		
Connector to engine	XR857111	1
8. Oil Cooler Pipe		
Cooler to connector	XR849088	1
9. Oil Cooler Pipe	XR857113	1

ENGINE V8 PETROL

OIL FILTER

Naturally Aspirated



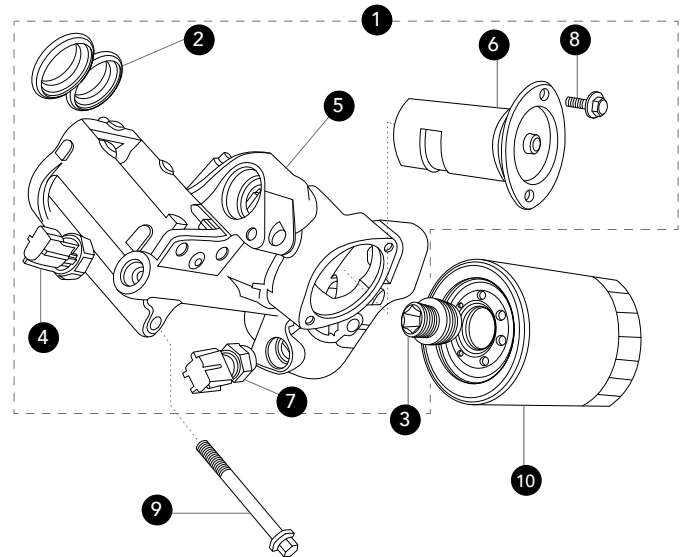
Oil Filter V8 Naturally Aspirated

1. Oil Filter Head	AJ86490	1
2. Oil Filter Housing Gasket	NCE1842AA	1
3. Oil Filter		
To VIN M45254	EAZ1354	1
From VIN M45255	C2C41611	1
4. Bolt	AJ88384	3
5. Filter Head		
4.0 Litre V8	AJ84506	
4.2 Litre V8		
Non oil cooler mounting	AJ810714	1
For oil cooler Mounting	AJ810687	1
6. Temperature Sensor	AJ810031	1
7. Oil Pressure Switch	C2S42616	1
8. Oil Filter Adaptor	AJ810712	1
9. Oil Filter Head		
4.0 Litre V8 (not shown)		
VIN M44200 to VIN 45254	AJ86490	1

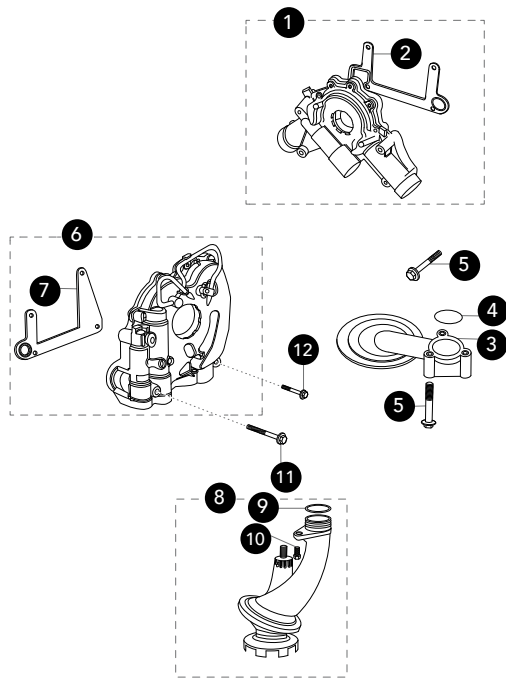
Oil Filter V8 Supercharged

1. Oil Filter Head	AJ810715	1
2. Oil Filter Housing Gasket	NCE1842AA	1
3. Oil Filter Adaptor	AJ810712	1
4. Oil Pressure Switch	C2S42616	1
5. Oil Filter Head	AJ810715	1
6. Oil Diverter Valve	NCA1757AB	1
7. Temperature Sensor	AJ810031	1
8. Bolt		
To VIN N13088	JFS10616B	2
From VIN N13089	C2C8172	2
9. Bolt	AJ88384	3
10. Oil Filter	C2C41611	1

Supercharged

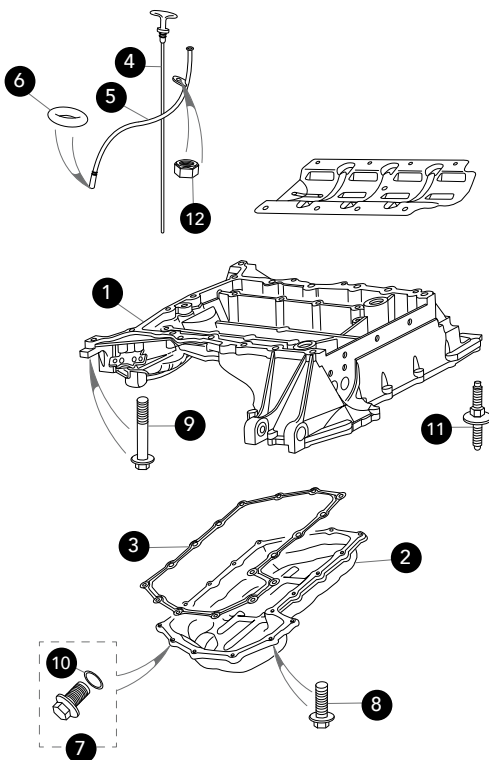


ENGINE V8 PETROL OIL PUMP



1. Oil Pump			
4.0 Litre V8	JLM20578		1
2. Oil Pump Gasket	NCE1779AA		1
3. Oil Pick Up Pipe	NCA1711AE		1
4. Oil Seal	NCE1746AA		1
5. Flange Head Bolt	JFC106106		4
6. Oil Pump	AJ811878		1
7. Oil Pump Gasket	C2A1412		1
8. Oil Pick Up Pipe	AJ810446		1
9. Oil pipe O-ring	AJ85413		1
11. Bolt	XR825290		2
12. Bolt			
M6 x 35mm	JFB10607B025		2
M6 x 40mm	AJ88436		4

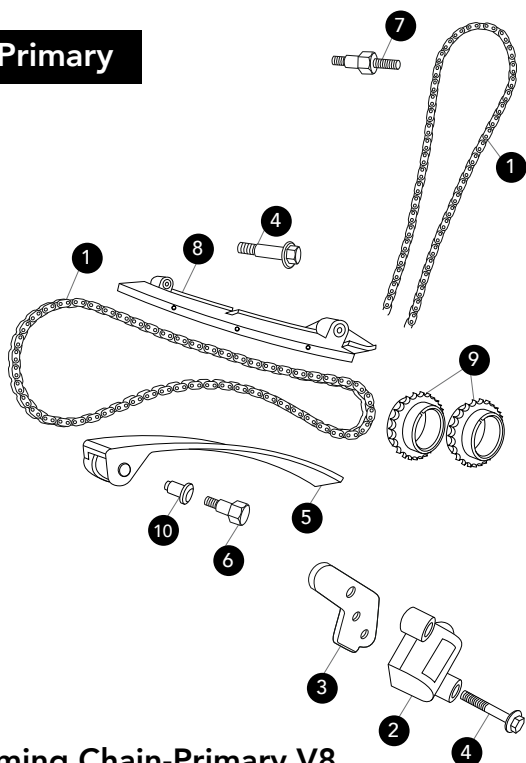
ENGINE V8 PETROL OIL SUMP & DIPSTICK



1. Oil Sump Body			
To VIN M45254	AJ84493		1
From VIN M45255	AJ810525		1
2. Oil Sump Pan	AJ83000		1
3. Oil Sump Gasket	AJ89207		1
4. Engine Oil Dipstick	C2C22741		1
5. Engine Dipstick Tube			
To VIN M45254	NRA1706AC		1
From VIN M45255	C2C22742		1
6. O-ring	KSH108624		1
7. Drain Plug	JZH100062		1
8. Bolt and Washer	JZH100059		17
9. Hexagonal Flanged Bolt	JFB10808E		16
10. Drain Plug Oil Seal	NCE1850AB		1
11. Stud			
VIN M45255 to VIN M62935	AJ83872		1
From VIN M62936	AJ88195		1
12. Hexagonal Flanged Nut	C2C1641		1

ENGINE V8 PETROL TIMING CHAINS

Primary



Timing Chain-Primary V8

1. Primary Timing Chain			
To Engine 0108122359	EAZ1269	1	
From Engine 0108130000	AJ82289	1	
2. Chain Tensioner	AJ82325	1	
3. Blanking Plate			
To Engine 0108122359	NCA2002BD	2	
4. Hexagonal Flanged Bolt			
M6 x 35mm			
From Engine 0108130000	JFB10607E	4	
M6 x 40mm			
4.0 Litre V8			
To Engine 0108122359	C2Z2642	4	
5. Chain Tensioner Blade			
To Engine 0108122359	NCA2025AB	2	
From Engine 0108130000	C2A1497	2	
6. Pivot Bolt			
From VIN M45255			
Except VVT	AJ82382	2	
To Engine 0108122359	NCA2028AA	1	
From Engine 0108130000	AJ82382	1	

7. Pivot Stud

To Engine 0108122359	NCA2028BA	1
From Engine 0108130000	AJ810063	1

8. Chain Guide

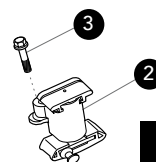
To Engine 0108122359	NCA1998AB	2
From Engine 0108130000	C2A1456	2

9. Crankshaft Sprocket

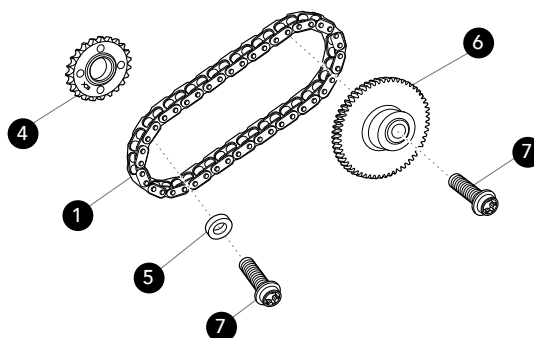
To Engine 0108122359	EAZ2126	2
From Engine 0108130000	AJ82293	2

10. Pivot Bush

From Engine 0108130000	AJ86824	2
------------------------	---------	---



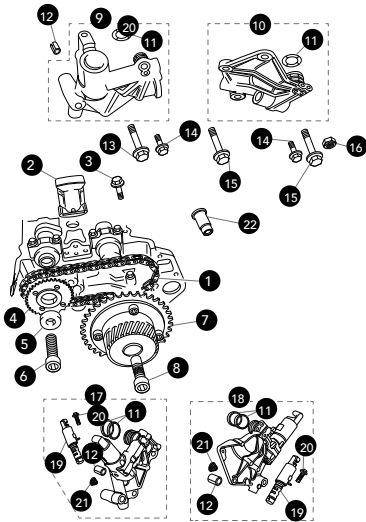
Secondary without VVT



Timing Chain-Secondary Without VVT

1. Secondary Timing Chain	AJ82290	2
2. Chain Tensioner		
LH B-Bank	C2A1512	1
RH A-Bank	C2A1511	1
3. Hexagonal flanged bolt	JFB10607B025	4
4. Camshaft Sprocket		
Exhaust	AJ82702	2
5. Spacer	AJ82700	2
6. Camshaft Sprocket		
Inlet	AJ82467	2
7. Socket Head Bolt	AJ82291	4

ENGINE V8 PETROL TIMING CHAINS



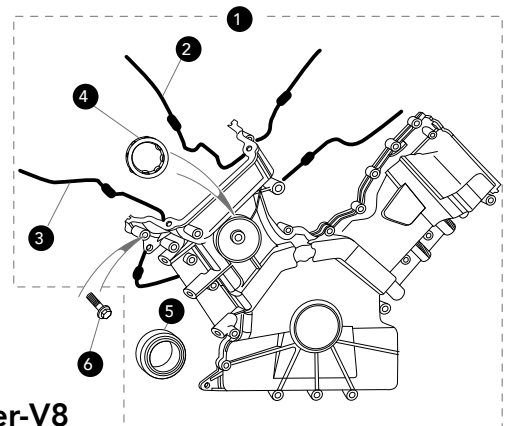
Secondary with VVT

Timing Chain-Secondary With VVT

1. Secondary Timing Chain			
To Engine 0108122359	EAZ1286	2	
From Engine 0108130000	AJ82290	2	
2. Chain Tensioner			
LH B-Bank	C2A1512	1	
RH A-Bank	C2A1511	1	
3. Hexagonal head flanged bolt			
From Engine 0108130000	JFB10607B025	4	
To Engine 0108122359	C2Z2642	4	
4. Camshaft Sprocket			
Exhaust			
To Engine 0108122359	NCA2026CA	2	
From Engine 0108130000	AJ82702	2	
5. Spacer			
To Engine 0108122359	JZT100018	2	
From Engine 0108130000	AJ82700	2	
6. Socket Head Bolt			
From Engine 0108130000	AJ82291	2	
To Engine 0108122359	NCA2656AB		
7. Variable Valve Timing Unit			
Inlet			
From VIN M45254	AJ89778	2	
To Engine 0108122359	NNE2016AB	2	
Engine 0108130000 to	AJ84066	2	
VIN M45254			
8. Socket Head Bolt	AJ83900	2	
9. Module Carrier			
RH A-Bank	AJ810725E	1	
10. Module Carrier			
LH B-Bank	AJ810727E	1	
11. Sealing Ring	NNE2622BA	1	

12. Dowel	EBC9705	6
13. Mounting Bolt	JFB10813N	1
14. Mounting Bolt	JFB10807B	2
15. Bolt	C2C35271	2
16. Nut	JFN10804B	1
17. Module Carrier		
RH A-Bank	AJ810725E	1
18. Module Carrier		
LH B-Bank	AJ810727E	1
19. Solenoid Valve	AJ810570	1
20. Bolt		
Engine 0108130000 to	JFS10616B	1
VIN N52047		
From VIN N52048	AJ88941	1
21. Filter	AJ81264	1
22. Pivot Bush		
From VIN M43100 to	AJ86824	2
VIN M45254		

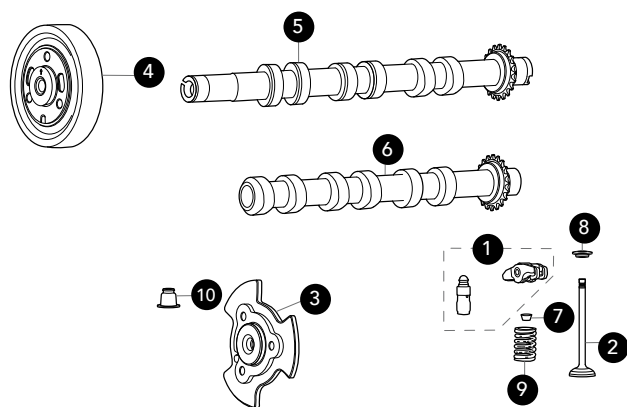
Timing Cover



Timing Cover-V8

1. Timing Cover		
Except 4.2 Supercharged	AJ88535	1
4.2 Supercharged V8	AJ88536	1
2. Timing Cover Seal		
Inner	AJ83699	1
3. Timing Cover Seal		
Outer	AJ83700	1
4. Pulley Bearing Oil Seal		
4.0 Litre V8	NCE2142AA	1
4.2 Supercharged V8		
VIN M45255 to VIN N52047	AJ83701	1
From VIN N52048	AJ86747	1
5. Crankshaft Front Oil Seal	AJ83698	1
6. Bolt	JFB10607B	24

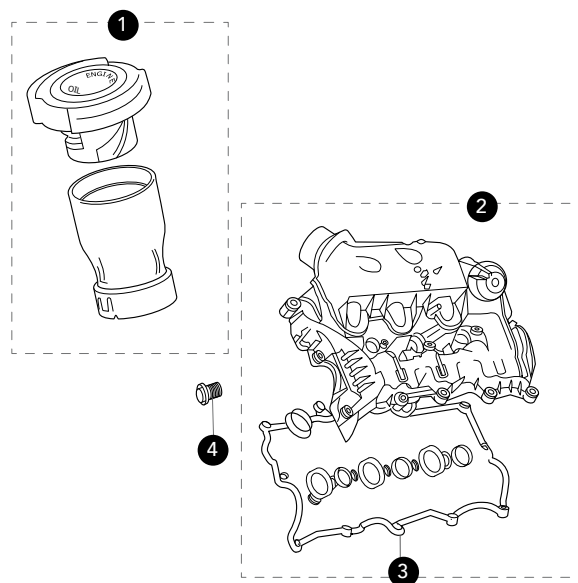
ENGINE DIESEL CAMSHAFTS & VALVES



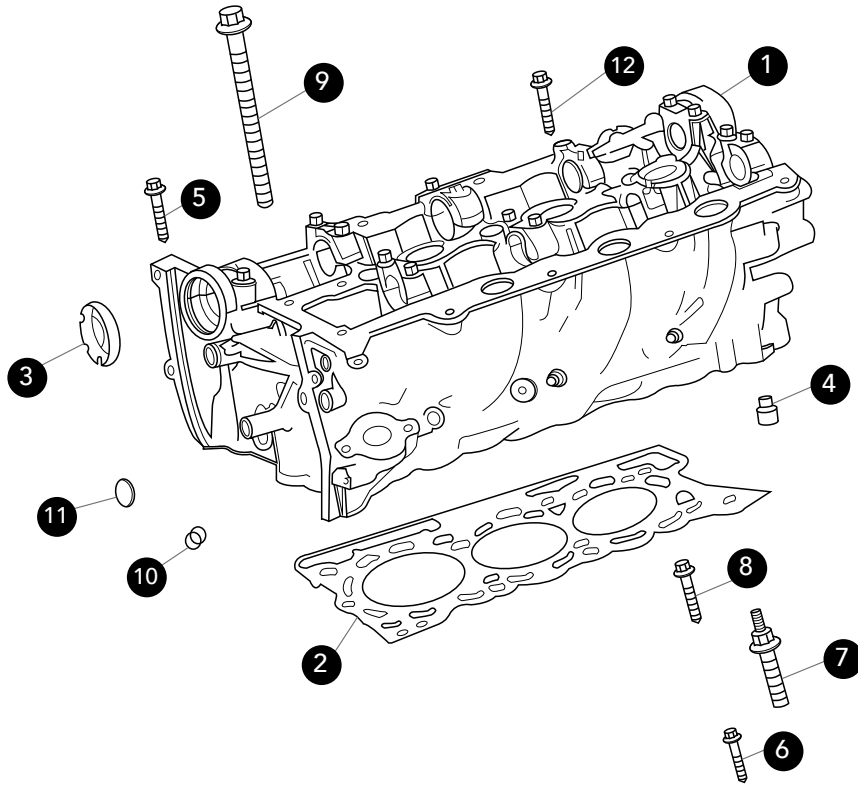
1. Control arm adjuster assembly	C2C21308	24
2. Exhaust valve	C2S50770	12
Inlet valve	JD61430	12
3. Camshaft hub, LH	C2S22552	1
4. Camshaft hub, RH	C2S22551	1
5. Inlet camshaft, LH	C2S6274	1
Inlet camshaft, RH	C2S6273	1
6. Exhaust camshaft, LH	C2C37781	1
Exhaust camshaft, RH	C2S48009	1
7. Valve collet	JD61436	48
8. Valve spring retainer	JD61435	24
9. Valve spring	C2S49620	24
10. Valve seal	JD61439	24

ENGINE DIESEL CAMSHAFT COVERS & GASKETS

1. Oil filler cap	XR844057	1
2. Induction manifold		
LH B-bank	JDE28099	1
RH A-bank	JDE28100	1
3. Camshaft cover gasket		
LH B-bank	JDE3880	1
RH A-bank	JDE3880	1
4. Screw	JDE3151	2



ENGINE DIESEL CYLINDER HEAD



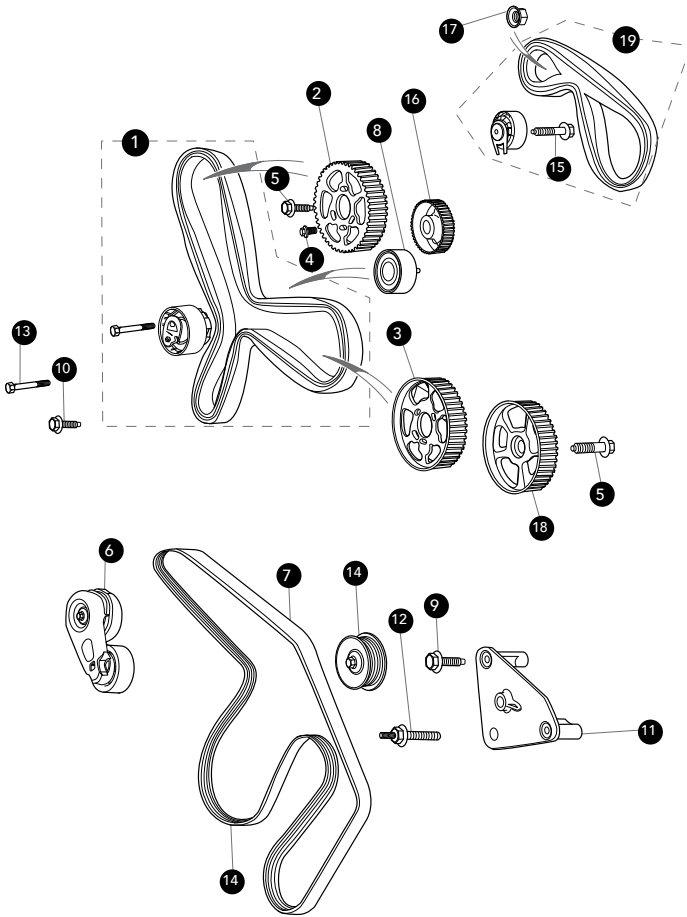
1. Cylinder head, without valves		
LH B-bank	JDE11760	1
RH A-bank	C2S46644	1
Cylinder head, with valves		
LH B-bank	C2C19492	1
RH A-bank	C2C19491	1
2. Cylinder head gasket		
Grade 1	C2C18768	2
Grade 2	C2S51265	2
Grade 3	C2S51266	2
Grade 4	C2S51267	2
Grade 5	C2S51268	2
3. Camshaft inner seal	JD61567	6
4. Plug, No.12	C2S29692	2
5. Bolt, M6 x 35mm	C2P5882	6
6. Bolt, M10 x 35mm	C2S22600	2
7. Lifting eye stud	JD61693	1
8. Lifting eye bolt, M10 x 45mm	C2Z2688	1
9. Cylinder head bolt, M13 x 155	JDE3199	16
10. Dowel	XR85101	8
11. Core plug, 22mm	C2S21904	8
12. Camshaft cap bolt	JFB10607B	36



ENGINE DIESEL DRIVEBELTS & PULLEYS

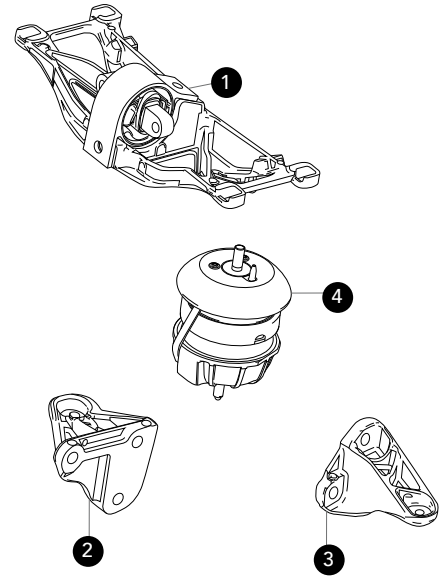
1. Timing belt kit (Primary)	C2C41082	1
N.B. When ordering C2C41082 please order one of bolt C2S44882		
2. Camshaft pulley, RH	JDE3130	1
3. Camshaft pulley, LH	JD61562	1
4. Hex head flanged bolt M8 x 18mm	JD61676	3
5. Hex head flanged bolt M12x 35mm	JDE3184	1
6. Drive belt tensioner, front	JDE11364	1
7. Drive belt tensioner,	C2C22802	1
8. Idler pulley	JD61536	2
9. Bolt M12 x 60mm for idler pulley bracket	JDE1679	2
10. Hex head flanged bolt M12x 40mm	JDE7907	3
11. Idler mounting bracket	XR843904	1
12. Stud M12 x 60m for lower idler bracket	C2C34716	1
13. Hex head flanged bolt M8 x 75mm	JDE3464	1
14. Engine drive belt, front	XR844334	1
15. Flange head bolt M8 x 60mm	XR838685	1
16. Injector pump spocket, rear	C2S30235	1
17. Nut M14	C2S50775	1
18. Camshaft pulley, rear	JD61560	1
19. Timing belt kit (Rear)	C2C24601	1

N.B. When ordering C2C24601 please order one of bolt XR828685

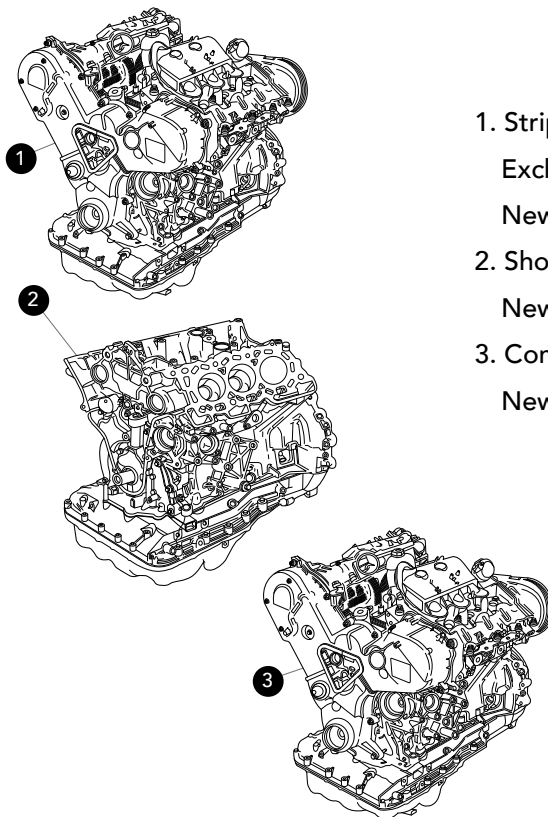


ENGINE DIESEL ENGINE MOUNTINGS

1. Rear engine mounting bracket	XR857108	1
2. Engine mounting bracket, RH	C2C39422	1
3. Engine mounting bracket, LH	JDE4414	1
4. Engine mounting	XR854275	2

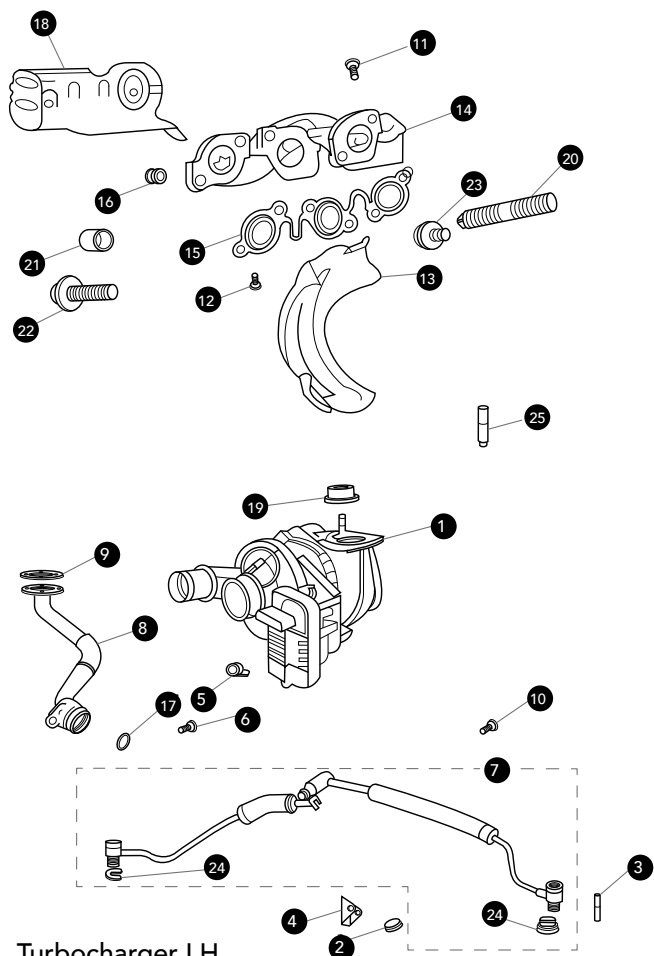


ENGINE DIESEL ENGINE ASSEMBLY



1. Stripped engine	
Exchange	C2C40483E
New	Contact sales for details
2. Short engine	
New	XR853057
3. Complete engine	
New	Contact sales for details

ENGINE DIESEL EXHAUST MANIFOLDS



1. Turbocharger LH

Exchange

to VIN N52047 XR853070E 1

from VIN N52048 C2C38925E 1

New

to VIN N52047 XR853070 1

from VIN N52048 C2C38925 1

Turbocharger RH

Exchange

to VIN N52047 XR853069E 1

from VIN N52048 C2C38924E 1

New

to VIN N52047 XR853069 1

from VIN N52048 C2C38924 1

2. Hex headed screw/washer M6 x 14mm C2G2053 2

3. Stud JDE3963 3

4. Turbocharger support bracket

LH XR844799 1

RH XR850069 1

5. Bolt M8 x 20mm C2C11500 6

6. Bolt M8 x 16mm XR848939 4

7. Turbocharger oil pipe C2C41112 1

8. Turbocharger drain hose

LH XR857338 1

RH XR857337 1

9. Gasket JDE3113 2

10. Bolt M6 x 14mm JD61683 2

11. Screw M6 x 14mm C2S22536 3

12. Screw M6 x 16mm C2S30401 4

13. Turbocharger heatshield

LH C2C24664 1

RH C2C22112

14. Exhaust manifold

LH XR845130 1

RH XR845129 1

15. Exhaust manifold gasket C2S30281 2

16. Manifold nut JDE6856 12

17. Return hose O-ring XR856375 2

18. Exhaust manifold heatshield

LH JDE3305 1

RH XR844802 1

19. Nut JDE6856 6

20. Exhaust manifold stud JDE3874 12

21. Spacer C2S22607 1

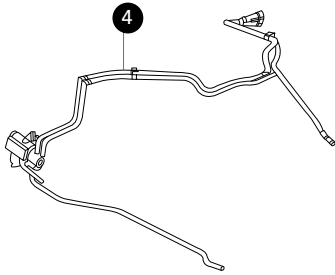
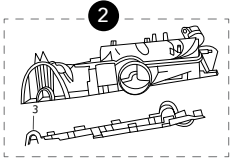
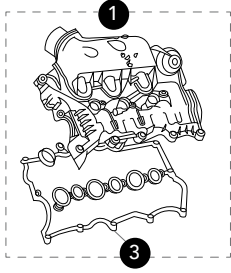
22. Flange headed screw C2N1272 3

23. Hex headed flanged bolt M6 x 8mm JDE2868 4

24. Banjo bolt C2C431207 2

25. Stud JDE3963 4

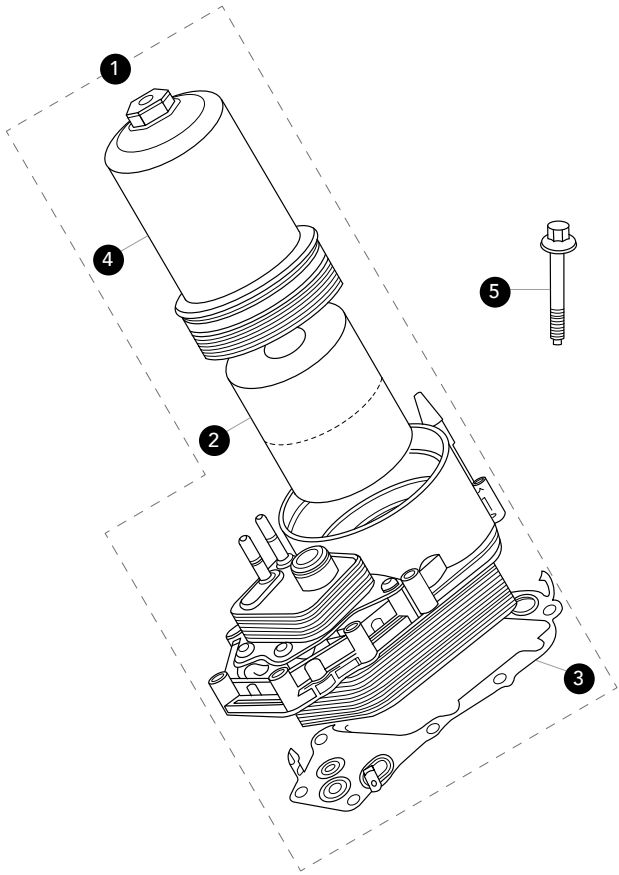
ENGINE DIESEL INLET MANIFOLDS



1. Induction manifold, RH A-bank	JDE28100	1
2. Induction manifold, LH B-bank	JDE28099	1
3. Camshaft cover gasket		
LH B-bank	JDE3880	1
RH B-bank	JDE3880	1
4. Air duct to manifold hose		
to VIN N52047	XR81445	1
from VIN N52048	XR853345	1
5. Screw M6 x 25mm	C2Z1354	4



ENGINE DIESEL OIL FILTER

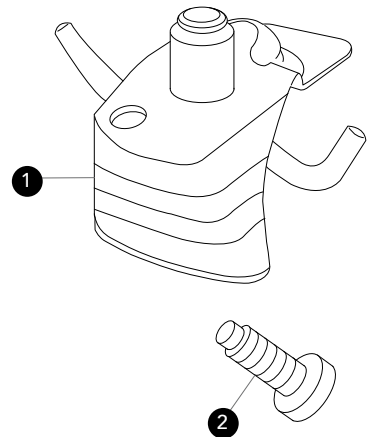


1. Cooling module	JDE3879	1
2. Oil filter	C2S9685	1
3. Oil cooler adaptor gasket	JDE3092	1
4. Cap	JDE3093	1
5. Bolt M6 x 40mm	XR837074	8
6. Water outlet O-ring	JDE11367	1



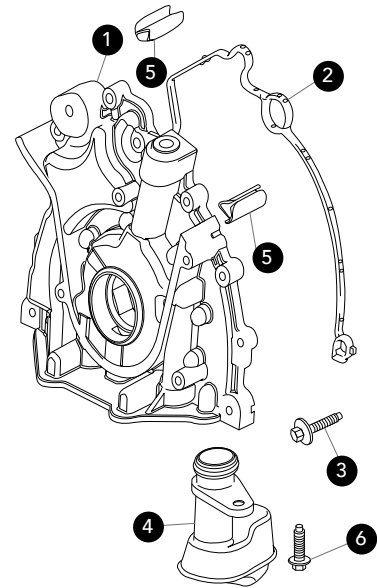
ENGINE DIESEL OIL COOLING NOZZLE

1. Nozzle, piston cooling jet	C2C19478	3
2. Bolt M6 x 12mm	C2C25943	3

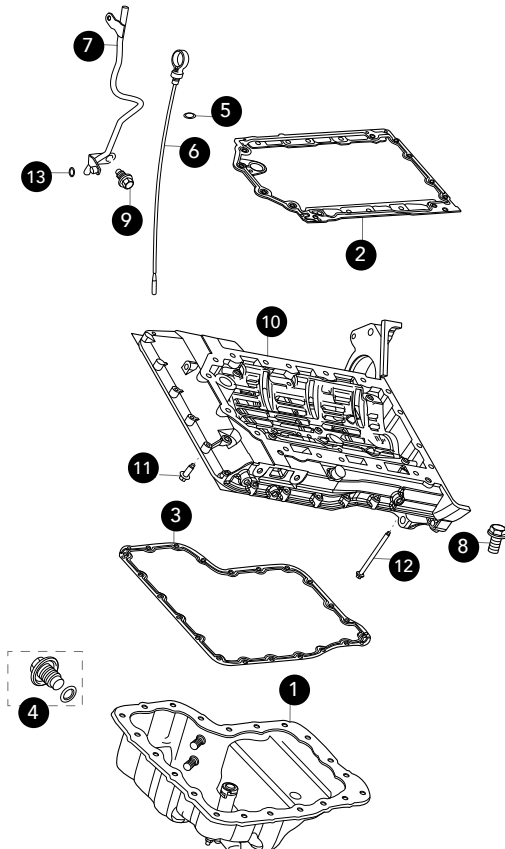


ENGINE DIESEL OIL PUMP & PIPES

1. Oil Pump	C2S9131	1
2. Oil pump gasket	JDE1786	1
3. Bolt		
to VIN N52047	XR82805	10
from VIN N52048	C2Z1354	10
4. Oil pick-up pipe	C2C19825	1
5. Seal	JDE3749	1
6. Hex headed screw	JZS100085	1
M6 x 20mm		

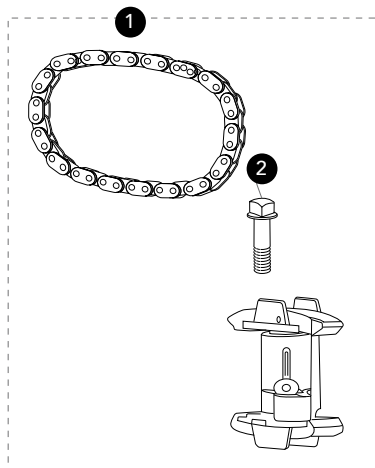


ENGINE DIESEL OIL SUMP & DIPSTICK



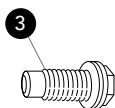
1. Engine oil sump pan		
to VIN N52047	C2C31218	1
from VIN N52048	C2C28126	1
2. Sump body gasket	C2S47774	1
3. Sump gasket	JDE1098	1
4. Drain plug	AJ83017	1
5. Dipstick seal	C2S22572	1
6. Engine oil dipstick	C2C34893	1
7. Dipstick tube	C2C30756	1
8. Screw M6 x 12mm	JDE3151	1
9. Screw		
M12 x 20mm	C2C19778	1
M6 x 14mm	JDE3151	1
10. Stiffener	C2C39960	1
11. Stiffener Bolt		
M6 x 20mm	C2S26050	4
M8 x 20mm	C2C11500	10
12. Washer headed bolt	C2C11502	4
13. Seal	C2C37761	1

ENGINE DIESEL TIMING CHAINS

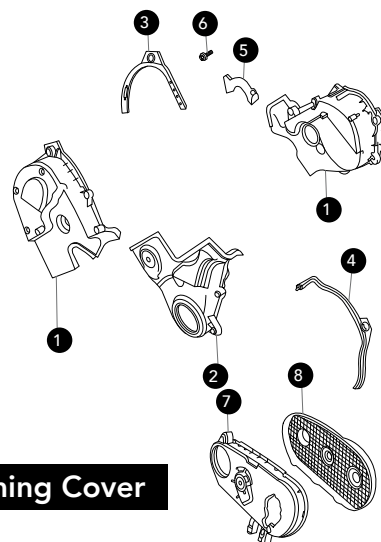


1. Camshaft chain & tensioner kit	C2S30215	2
2. Bolt	C2Z1354	2
3. Crankshaft timing tool flange head screw	JD616851	2

Timing Chain & Adjusters



1. Upper engine cover		
LH B-Bank	C2S52372	1
RH A-bank	C2S50773	1
2. Lower engine cover	C2S50772	1
3. Upper timing cover gasket	JDE3096	1
RH A-bank		
4. Upper timing cover gasket	JDE3097	1
LH B-bank		
5. Bridge piece support	JDE3165	1
6. Screw M6 x 14mm	JDE3151	2
7. Rear engine cover, inner	C2C40267	1
8. Rear engine cover outer	JDE3167	1
9. Bolt M6 x 16mm	C2C3563	1



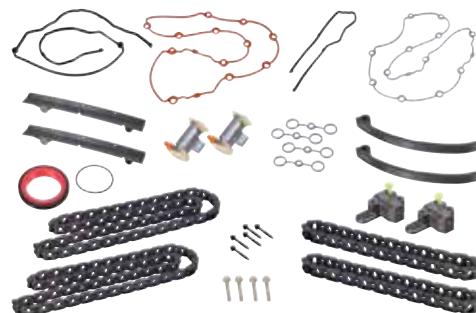
Timing Cover

TIMING CHAIN KITS

To avoid the problems associated with Jaguar's original tensioners, which sometimes lead to premature failure, all of our timing chain kits contain the latest specification of tensioner.

Timing chain kits are available pre-packaged and ready to fit. The kits contain chains and tensioners.

1. Timing chain kit, OE spec.	TCK8MAJ/1 (pictured)	1
2. Timing chain kit OE spec. tensioners, copy chains	TCK8MAJ/2	1
3. Timing chain kit Copy tensioners and chains, supplied w/out gaskets or seals	TCK8MAJ/3	1





Expansion tank 3.0 Litre & 4.0 Litre to VIN M45254

1. Expansion tank			
LHD	C2C34318	1	
RHD	XR816503	1	
2. Reservoir cap	C2P17700	1	
3. Low level sensor	XR823688	1	

Expansion tank V6 petrol from VIN M45255

1. Expansion tank	C2Z13764	1	
2. Reservoir cap	C2P17700	1	

Expansion tank 4.2 litre V8 from VIN M45255

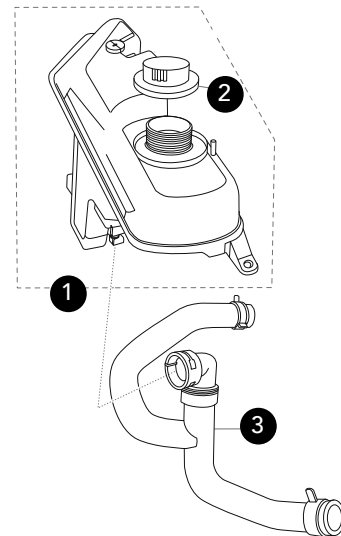
1. Expansion tank	C2Z13764	1	
2. Reservoir cap	C2P17700	1	

Expansion tank 4.2 litre V8 Supercharged from VIN M45255

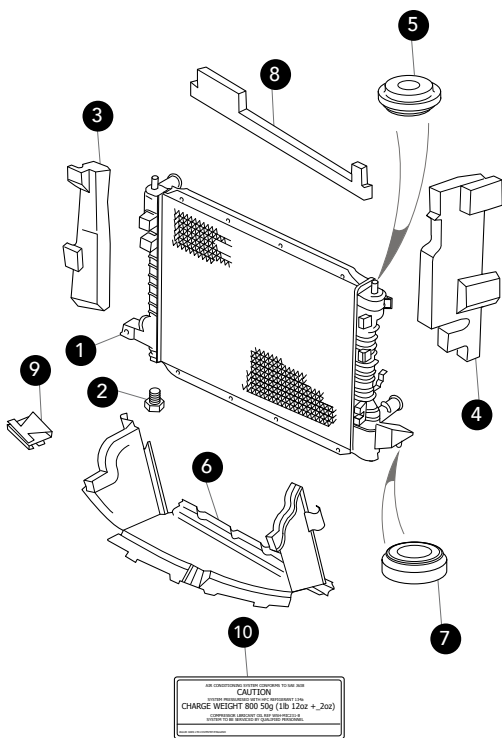
1. Expansion tank	C2C41300	1	
2. Reservoir cap	C2P17700	1	

Expansion tank, Diesel

1. Expansion tank	C2Z11668	1	
2. Reservoir cap	C2P17700	1	

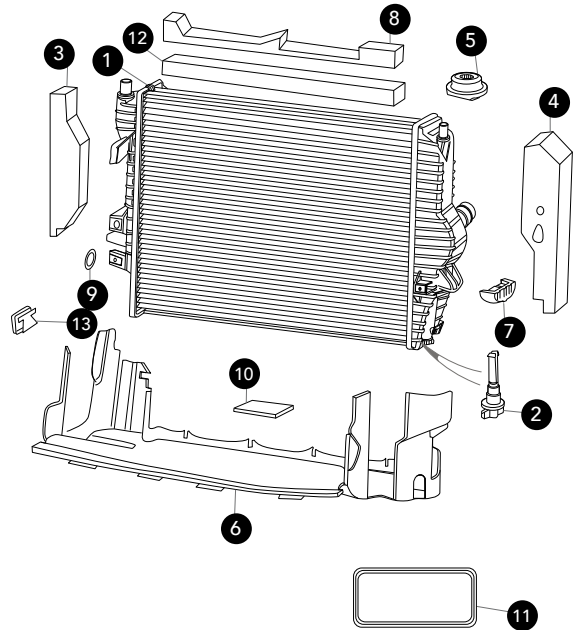


COOLING SYSTEM RADIATOR & MOUNTINGS



Radiator & mountings: Petrol to VIN M45254

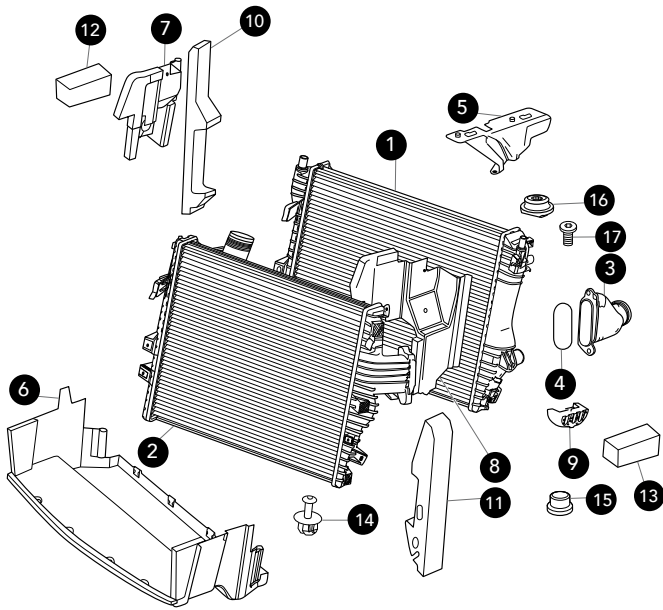
1. Radiator	XR82935	1
2. Drain plug	XR83138	1
3. Radiator seal, RH	XR88493	1
4. Radiator seal, LH	XR88494	1
5. Mounting bush	MNC4243AD	1
6. Deflector shield	XR82808	1
7. Insulator	XR85023	1
8. Radiator seal	XR88492	1
9. Push-on clip	XR836626	1
10. Air conditioning warning label	XR847032	1



Radiator & mountings: Petrol from VIN M45255

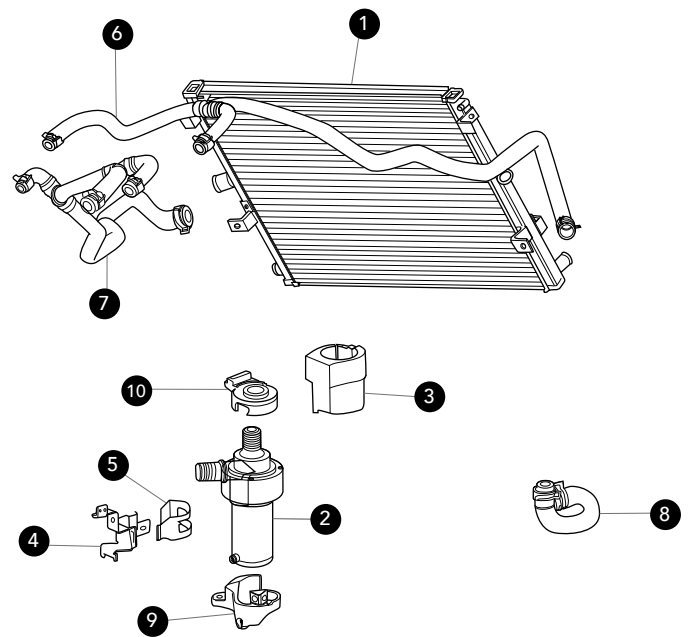
1. Radiator, automatic	C2C36506	1
Radiator, manual	XR847963	1
2. Drain plug	C2C1467	1
3. Radiator seal, RH		
4.2 Supercharged	XR825057	1
4.2 Naturally aspirated	XR822422	1
4. Radiator seal, LH	XR843879	1
5. Radiator mounting pad		
From VIN M28300	C2C1963	1
6. Deflector shield, lower		
4.2 Supercharged		
VIN M45255 to VIN N13088	XR818924	1
VIN N13089 to VIN N38936	XR852288	1
From VIN N38937	XR852329	1
4.2 Naturally Aspirated		
VIN M45255 to VIN N13088	XR818923	1
From VIN N13089	XR857702	1
7. Insulator	C2C1960	1
8. Radiator seal, upper	XR822420	1
9. O-ring, automatic	C2C1462	1
10. Foam pad	XR836959	1
11. Air conditioning warning label	XR847033	1
12. Foam strip	XR838379	1
13. Push-on clip	XR836626	1

COOLING SYSTEM RADIATOR & MOUNTINGS



Radiator & mountings: Diesel

1. Radiator, automatic	XR858580	1
Radiator, manual	XR858581	1
2. Intercooler	C2Z11675	1
3. Intercooler inlet spout	C2Z16190	1
4. Gasket	C2Z11678	1
6. Deflector shield, lower	XR852128	1
7. Deflector shield, RH	XR843597	1
8. Deflector shield, LH	XR843598	1
9. Radiator insulator	XR832980	2
10. Radiator seal, RH	XR852079	1
11. Radiator seal, LH	XR852080	1
12. Radiator/condensor seal, RH	XR839198	1
13. Radiator/condensor seal, LH	XR839199	1
14. Push-in fastener for deflector	XR831159	5
15. Drain plug	C2C1467	1
16. Radiator bracket bolt	C2C27268	2
17. Radiator mounting pad		
From VIN M28300	C2C1963	1



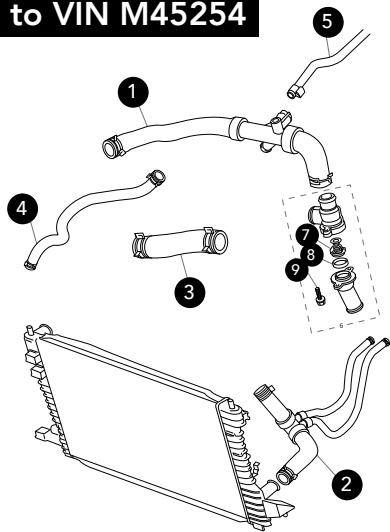
Supercharger radiator & pump

1. Supercharger radiator	XR839090	1
2. Supercharger coolant pump	C2C1314	1
3. Isolator	C2C11652	1
4. Pump mounting bracket	C2C11651	1
5. Clamp		
VIN M45255 to VIN N38936	C2C3550	1
6. Inlet hose		
VIN M45255 to VIN N38936	XR837410	1
From VIN N38937	XR852860	1
7. Return hose		
To VIN N38936	XR841497	1
From VIN N38937	C2C26618	1
8. Pump return hose		
VIN M45255 to VIN M79145	C2C10869	1
From VIN M79146	XR837411	1
9. Coolant pump isolator, bottom	C2C27656	1
10. Coolant pump isolator, top	C2C27657	1

COOLING SYSTEM

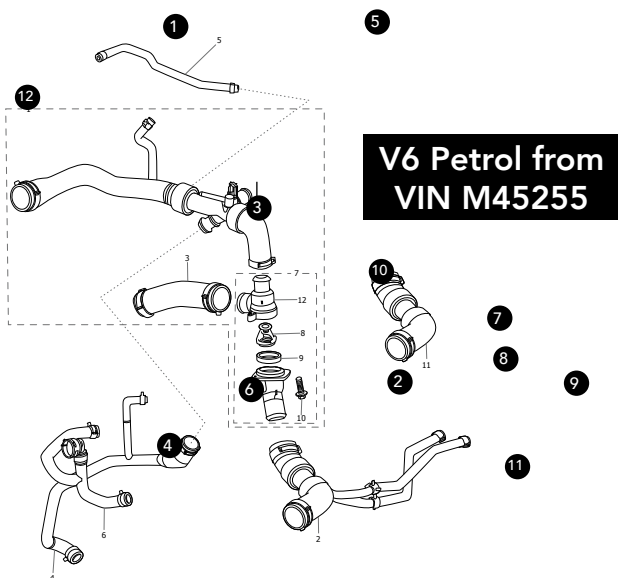
RADIATOR HOSES

V6 Petrol to VIN M45254



Radiator Hoses: V6 petrol to VIN M45254

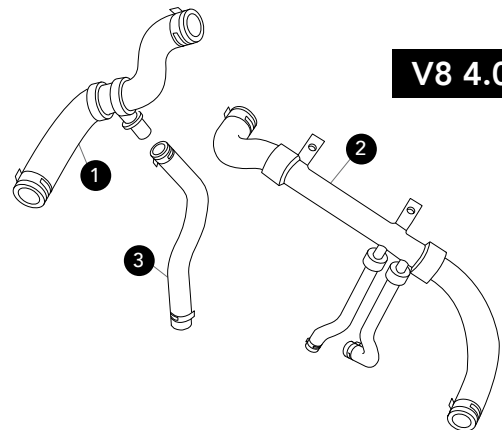
1. Radiator top hose	XR827648	1
2. Bottom hose	XR82871	1
3. Water hose	XR810208	1
4. Water hose		
To VIN L63863	XR86631	1
From VIN L63864	XR827649	1
5. Bleed hose		
LHD	XR82885	1
RHD	XR82884	1
6. Thermostat housing	AJ813558	1
7. Thermostat	XR85174	1
8. Sealing ring	XR85153	1



V6 Petrol from VIN M45255

Radiator Hoses: V6 petrol from VIN M45255

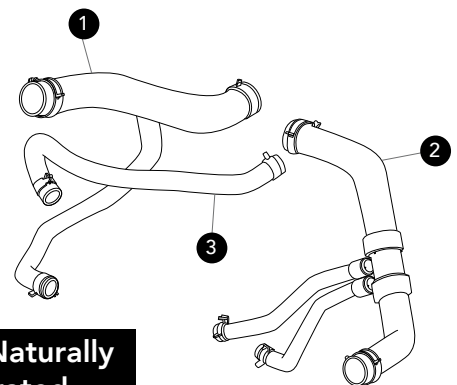
1. Radiator top hose	XR810208	1
2. Radiator bottom hose	XR849443	1
3. Water hose	XR810208	1
4. Water hose		
2.5 Litre	XR849446	1
3.0 Litre	XR852025	1
5. Bleed hose	XR849442	1
6. Water hose	XR849447	1
7. Thermostat housing	AJ813558	1
8. Thermostat	XR85174	1
9. Sealing ring	XR85153	1
11. Bottom hose	XR849444	1



V8 4.0

Radiator hoses: 4.0 Litre V8

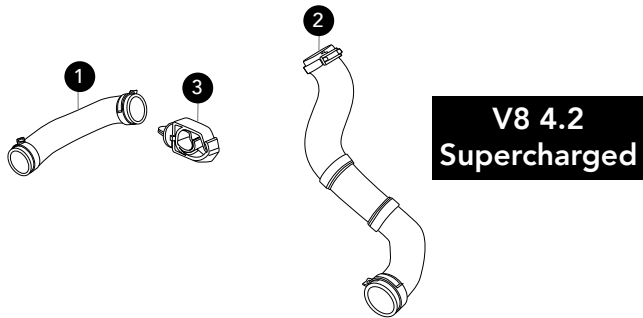
1. Radiator top hose	XR81725	1
2. Bottom hose	XR825340	1
3. Water hose	XR81705	1



V8 4.2 Naturally Aspirated

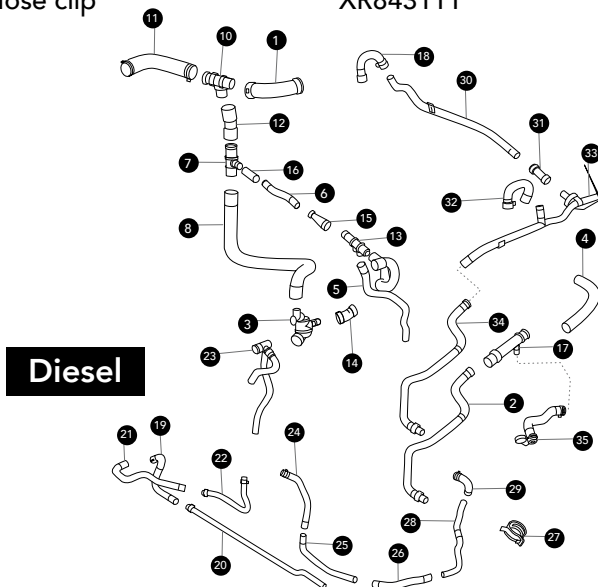
Radiator Hoses V8 4.2 Naturally Aspirated

1. Radiator top hose
 - To VIN N52047 XR849188 1
 - From VIN N52048 XR849189 1
2. Radiator bottom hose
 - To VIN N52047 XR849186 1
 - From VIN N52048 XR849187 1
3. Water hose
 - To VIN N52047 XR849190 1
 - From VIN N52048 XR849191 1



Radiator Hoses:V8 4.2 Supercharged

1. Radiator top hose
 - To VIN N52047 XR851818 1
 - From VIN N52048 XR850360 1
2. Bottom hose
 - To VIN N52047 XR841496 1
 - From VIN N52048 XR850361 1
3. Hose clip XR843111 1

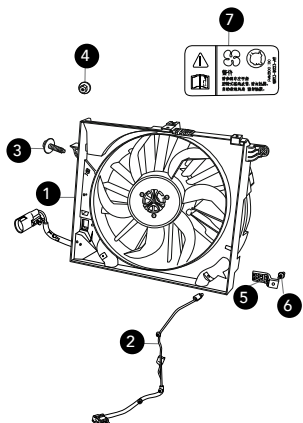


Radiator Hoses: Diesel

1. Radiator top hose C2C22711 1
2. EGR/Heater hose
 - To VIN N52047 XR844642 1
 - From VIN N52048 XR849781 1
3. Thermostat housing XR841811 1
4. Radiator to water pump hose XR848017 1
5. Oil cooler hose XR849071 1
6. Water bypaSs tube, upper auto XR849072 1
7. T-piece tube XR849073 1
8. Hose & thermostat assembly
 - Automatic XR849074 1
 - Manual XR849075 1
10. T-piece tube, auto XR849083 1
11. Radiator top hose C2C33937 1
12. Water bypass hose, auto XR49081 1
13. Control valve, auto XR84076 1
14. Bottom water hose XR851394 1
15. Water bypass hose, auto LH XR849080 1
16. In-line connector, auto XR849077 1
17. Hose restrictor, auto
 - To VIN N52047 XR841813 1
 - From VIN N52048 XR854268 1
18. Water hose XR852394 1
19. Water hose XR848270 1
20. Water outlet tube XR848271 1
21. Hose XR849216 1
22. Tube XR849219 1
23. Hose XR849221 1
24. Hose XR849220 1
25. Tube XR849218 1
26. Hose XR849223 1
27. Hose clamp XR849093 1
28. Tube XR849217 1
29. Hose XR849222 1
30. Tube XR849103 1
31. Water hose XR849105 1
32. Water hose EGR coolant outlet XR852395 1
33. Tube XR849101 1
34. Hose XR844642 1
35. Coolant return hose XR856181 1
36. Water return hose, auto XR849078 1

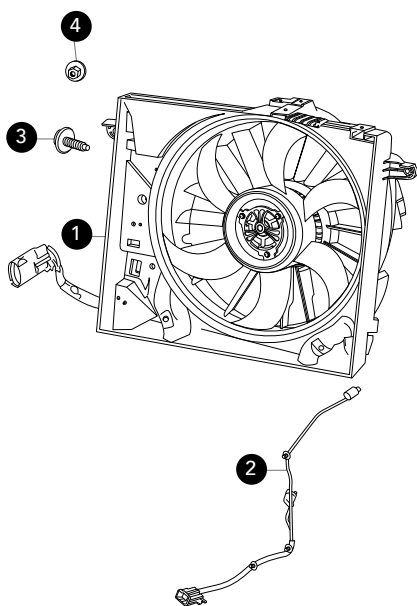
COOLING SYSTEM

COWLS & FAN MOTORS



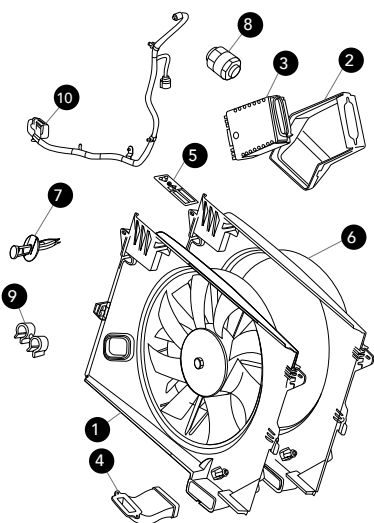
Radiator fan cowl: Diesel

1. Fan & cowl	XR858357	1
2. Fan link lead	C2C30782	1
3. Fan cowl bolt	C2C27267	2
4. Nut & Washer	JZH100041	2
5. Fan cowl mounting bracket	XR847807	2
6. Screw	XR28854	2
7. Fan cowl warning label	C2C37422	1



Radiator fan cowl: Petrol from VIN M45255

1. Fan & cowl	C2P9525	1
2. Fan link lead, 2.5 Litre petrol		
to VIN N13088	XR837902	1
VIN N13089 to VIN N52051	XR854110	1
Fan link lead, 3.0 petrol		
to VIN N13088	XR837902	1
VIN N13089 to VIN N52051	XR854110	1
Fan link lead,		
4.2 Naturally aspirated		
to VIN N13088	XR837903	1
From VIN N13089	XR854111	1
Fan link lead		
4.2 Supercharged		
to VIN N13088	XR837904	1
From VIN N13089	C2C33575	1
3. Heat shield bolt	C2C27267	2
4. Nut & Washer	JZH100041	2

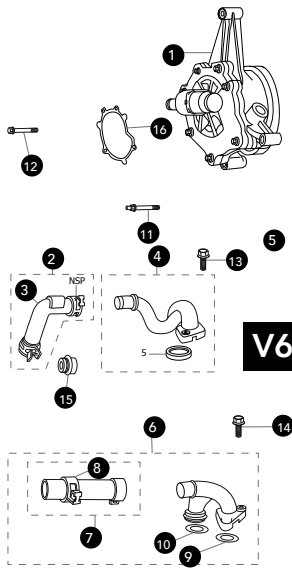


Radiator fan cowl: Petrol to VIN M45254

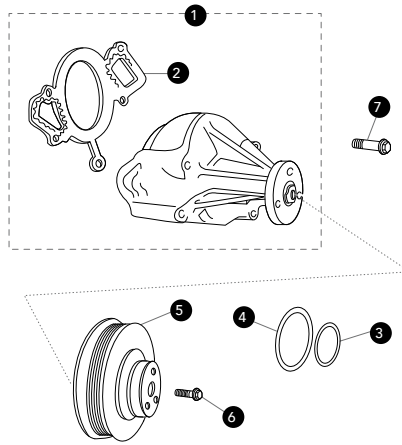
1. Fan & cowl	XR82853	1
2. Speed control switch cover	XR86420	1
3. Control switch	XR86419	1
4. Speed control air duct	XR82824	1
5. Fan warning label	XR847031	1
6. Cooling fan shroud	XR82853	1
7. Plastic rivet	XR88883	2
8. Screw/washer	XR810037	1
9. Cooling fan double clip	XR813429	1
10. Link lead	XR818587	1

COOLING SYSTEM

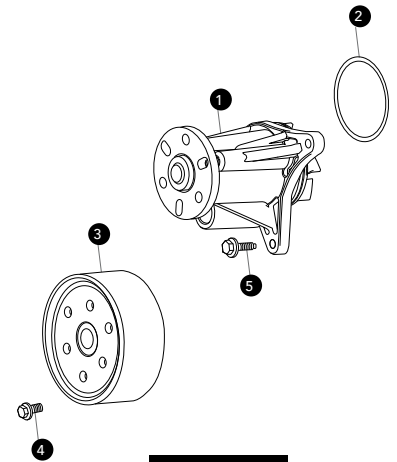
WATER PUMPS



V6 Petrol



V8 Petrol



Diesel

Water Pump: V6 Petrol

1. Water pump 3.0 Litre petrol To VIN M45254	AJ811935	1
From VIN M45255	C2C38862	1
2. Outlet hose	AJ89508	1
3. Hose clamp	AJ89509	1
4. Inlet pipe	XR83355	1
5. Water inlet spout gasket	XR85431	1
6. Outlet pipe	AJ87945	1
7. Water hose	AJ87945	1
8. Hose clamp	AJ889509	1
9. Water outlet seal	XR85353	1
10. Sealing ring	XR85356	1
11. Stud/bolt 3.0 Litre petrol To VIN N89724	XR85327	1
From VIN N89725	C2S6064	2
12. Mounting bolt, pump to block	XR85328	1
13. Clamp screw	AJ85846	2
14. Hex headed flanged bolt M6 x 30mm	XR85419	2
15. Water pump seal	XR85136	1
16. Water pump gasket	C2S26238	1

Water Pump: V8 Petrol

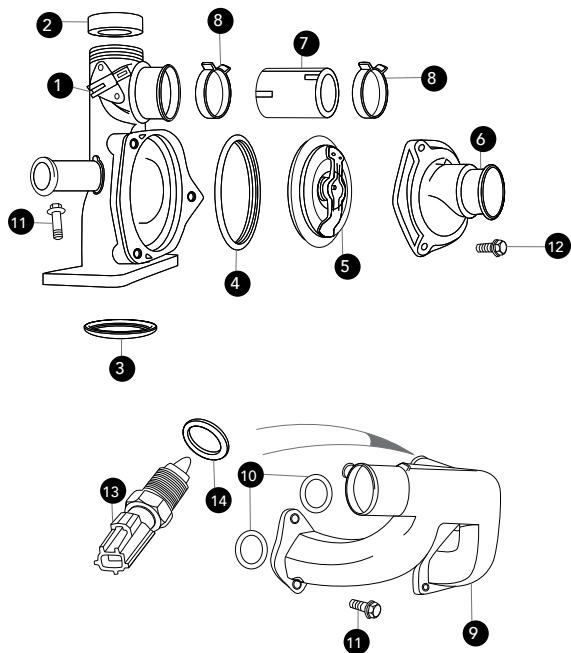
1. Water pump	AJ88912	1
2. Water pump gasket 0.4mm	AJ88922	1
1.5mm	AJ83300	1
3. O-ring 55mm	KSR634001	1
4. O-ring 70mm		
VIN M45255 to VIN N04833	AJ81324	1
To engine 0108122359	KSE169530	1
Engine 0108130000 to VIN M45254	AJ81324	1
5. Water pump pulley To VIN M45254	NCE2225AD	1
From VIN M45255	AJ83874	1
6. Water pump screw	AJ81256	3
7. Flange headed bolt M6 x 50mm	AJ88674	5

Water Pump: Diesel

1. Water pump	C2S51205	1
2. Water pump gasket	C2S31612	1
3. Water pump pulley	C2S29554	1
4. Bolt M8 x 14mm	C2C20186	3
5. Bolt M6 x 20mm	C2S26050	3

COOLING SYSTEM

WATER RAIL & THERMOSTATS

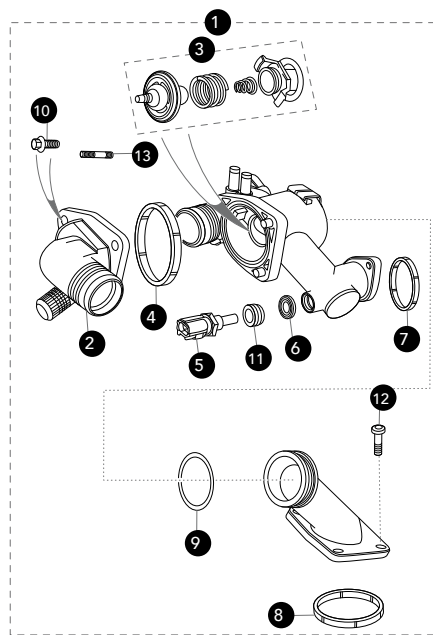


Thermostat & Water outlet pipe: V8 Naturally Aspirated To VIN M45254

1. Thermostat housing	NCE2247AD	1
2. Thermostat housing cap	NCA2270AC	1
3. Seal, thermostat housing to cylinder head	NCA2269CA	1
4. Thermostat seal	NCA2246BA	1
5. Thermostat	AJ86484	1
6. Thermostat cover	AJ85875	1
7. Bypass hose	NCA2213AC	1
8. Hose clamp	AJ84257	1
9. Outlet pipe	AJ85884	1
10. Water outlet seal	C2C11477	2
11. Screw	C2Z1354	8
12. Bolt	AJ89714	3
13. Temperature sensor	LRA1600BA	1
14. Washer	JWV110001	1



**ALUMINIUM
THERMO KIT
NCE2247AD/K**

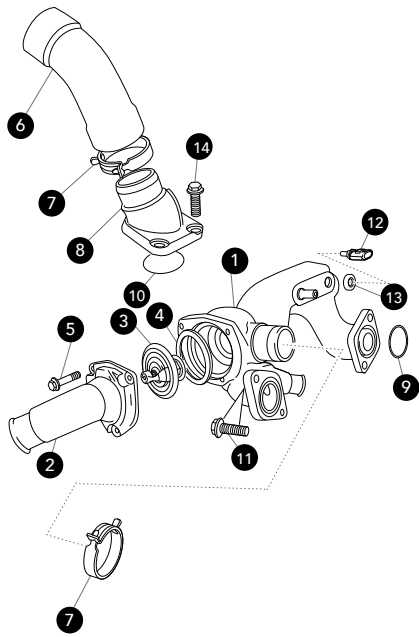


Thermostat & Water outlet pipe: V8 Naturally Aspirated From VIN M45255

1. Outlet pipe		
To VIN N52047	AJ89485	1
From VIN N52048	AJ811793	1
2. Thermostat cover		
To VIN N52047	AJ89483	1
From VIN N52048	AJ89469	1
3. Thermostat		
To VIN N52047	AJ82697	1
From VIN N52048	AJ811788	1
4. Thermostat seal	AJ83525	1
5. Coolant temperature sensor		
To VIN M45254	AJ88655	1
From VIN M45255	LNA1600AA	1
6. Washer	JWV110001	1
7. Water outlet seal	C2C11477	1
8. Thermostat housing seal	NCA2269CA	1
9. O-ring	AJ83526	1
10. Bolt	AJ89714	3
11. Insulator, from VIN M45255	AJ85475	1
12. Torx headed screw	C2C8868	8
13. Stud, VIN N27190 to VIN N52047	AJ87948	3

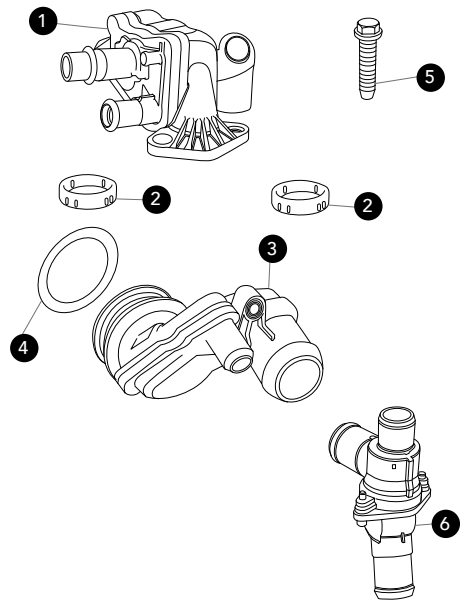
COOLING SYSTEM

WATER RAIL & THERMOSTATS



Thermostat & Water outlet pipe: V8 Supercharged

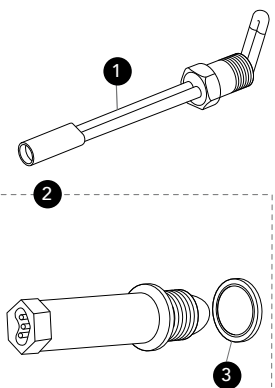
1. Outlet pipe	AJ812469	1
2. Thermostat cover		
VIN M45255 to VIN N52047	AJ84255	1
From VIN N52048	AJ88957	1
3. Thermostat		
VIN M45255 to VIN N52047	AJ86484	1
From VIN N52048	AJ811788	1
4. Thermostat seal		
VIN M45255 to VIN N52047	NCA2246BA	1
From VIN N52048	AJ83525	1
5. Pan head torx screw	C2C25942	3
6. Hose	AJ811638	1
7. Hose clamp	AJ81315	2
8. Housing	AJ87639	1
9. Water outlet seal	C2C11477	2
10. Seal, thermostat housing to cylinder head	NCA2269CA	1
11. Torx headed screw	C2C8868	4
12. Coolant temperature sensor	AJ88655	1
13. Washer	JWV110001	1
14. Pan head torx screw	C2C25942	3



Thermostat & Water outlet pipe: Diesel

1. Water outlet pipe	JDE3972	1
2. Water outlet seal	JDE3993	1
3. Inlet pipe	C2C23804	1
4. Water seal	JDE1699	1
5. Bolt		
To VIN N52047	XR82805	4
From VIN N52048	C2Z1354	4
6. Thermostat housing	XR841811	1

Water Heater

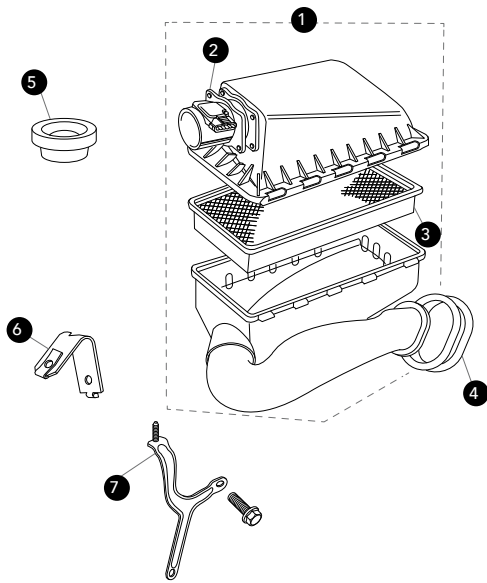


Water Heater

1. Block heater, 3.0 Litre petrol 220 Volts	XR811692	1
2. Block heater, 4.0 Litre petrol 220 Volts	C2C38057	1
3. Sealing washer	AJ89646	1

AIR & FUEL DELIVERY

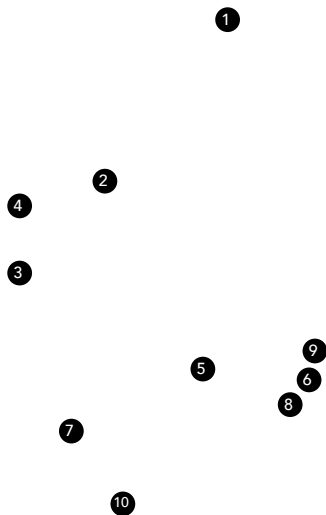
AIR CLEANERS



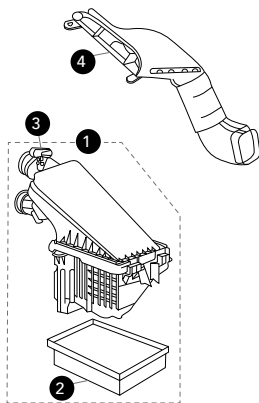
Air Cleaner Petrol to VIN M45254

1. Air Cleaner			
3.0 Litre			
To VIN M01859	XR88195		1
From VIN M01860	XR827040		1
4.0 Litre	XR828717		1
2. Air Flow Sensor			
3.0 Litre	XR811751		1
4.0 Litre	XR87309		1
3. Air Filter	XR88237		1
4. Air Intake	XR819232		1
5. Insulator	XR818768		1
6. Bracket	XR81889		1
7. Bracket	XR81890		1
8. Screw/Washer	XR89396		1

Air Cleaner Petrol from VIN M45255



1. Air Cleaner			
4.2 Litre Supercharged	C2C13812		1
Except 4.2 Litre Supercharged	C2C13811		1
2. Air Filter	AJ82766		1
3. Air Flow Sensor			
4.2 Litre Supercharged	C2C7636		1
Except 4.2 Litre Supercharged	C2S2670		1
4. Solenoid			
4.2 Litre Supercharged	C2C9642		1
5. Insulator	XR818768		1
6. Grommet	XR83372		1
7. Air Intake Tube	XR843109		1
8. Air Cleaner Mounting Bracket	XR826802		1
9. Bolt and Washer	XR87786		1
10. Scrivet	C2S3482		2

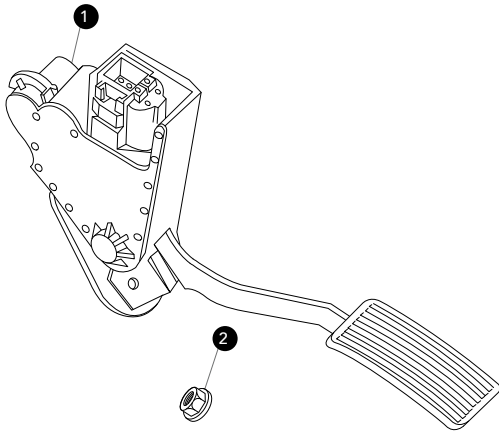


Air Cleaner Diesel

1. Air Cleaner	XR857110		1
2. Air Filter	AJ82766		1
3. Air Flow Sensor	C2C12919		2
4. Air Intake Tube	XR843109		1

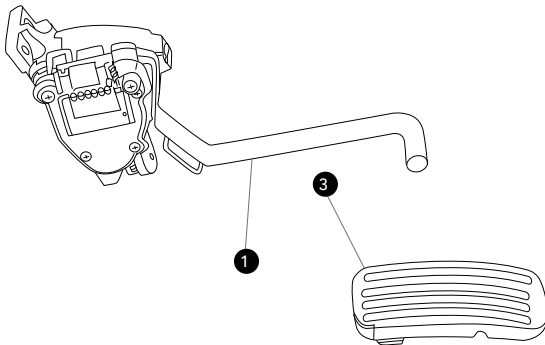
AIR & FUEL DELIVERY

THROTTLE PEDAL & LINKAGE



Accelerator Pedal and Fixings up to VIN M45254

1. Accelerator Pedal			
LHD	XR819172	1	
RHD	XR819173	1	
2. Nut			
	XR81913	2	

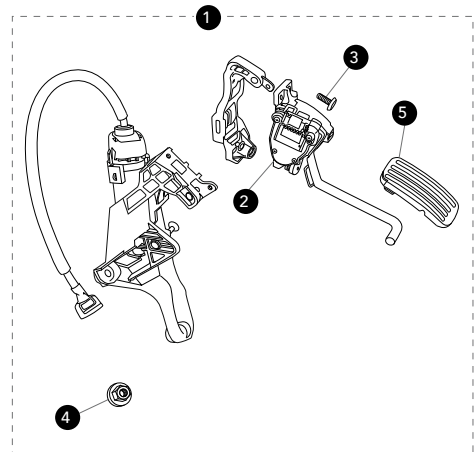


Accelerator Pedal and Fixings - Fixed from VIN M45255

1. Accelerator Pedal			
LHD, automatic			
To VIN N13088	XR842328	1	
From VIN N13089	XR847253	1	
Manual			
To VIN N13088	XR842329	1	
From VIN N13089	XR847254	1	
RHD, automatic			
To VIN N13088	XR842330	1	
From VIN N13089	XR847255	1	

Manual

VIN M45255 to VIN M58140	XR824795	1
VIN M58141 to VIN N13088	XR842331	1
From VIN N13089	XR847256	1
2. Nut		
	XR81913	2
3. Accelerator Pedal Pad		
	C2S12383	1

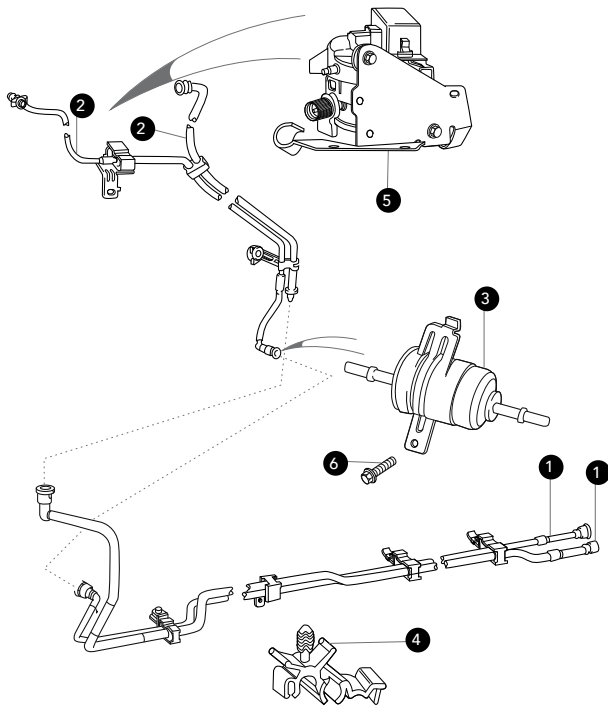


Accelerator Pedal and Fixings - Adjustable from VIN M45255

1. Accelerator Pedal		
LHD, automatic		
To VIN N13088	XR842028	1
From VIN N13089	XR856965	1
Manual		
To VIN N13088	XR842325	1
VIN N13089 to VIN N86146	XR847250	1
From VIN N86147	XR856966	1
RHD, automatic		
To VIN N13088	XR842326	1
From VIN N13089	XR856967	1
Manual		
To VIN N13088	XR842327	1
From VIN N13089	XR856968	1
2. Sensor		
LHD	C2C8368	1
RHD	XR836516	1
3. Pan Head Screw		
	AJ82679	3
4. Nut		
	XR81913	2
5. Accelerator Pedal Pad		
	C2S12383	1

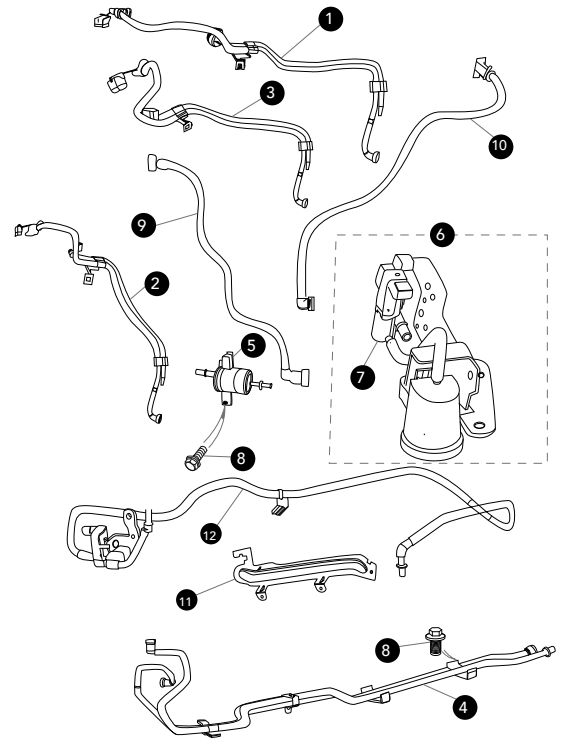
AIR & FUEL DELIVERY

FUEL PIPES



Fuel Pipes: Petrol up to VIN M45254

1. Fuel Feed Pipe			
to VIN L52822	XR81782	1	
VIN L52823 to VIN M08441	XR818154	1	
from VIN M08442	XR825846	1	
2. Fuel Feed Pipe			
3.0 Litre	XR818395		
4.0 Litre			
to VIN L86901	XR81803	1	
from VIN L86902	XR822812	1	
3. Fuel Filter	C2Z7738	1	
4. Pipe Clip	XR85457	1	
5. Canister Close Valve	XR81358	1	
6. Flange Head Screw	FS106165P	2	
7. Clip	AJ81084	1	



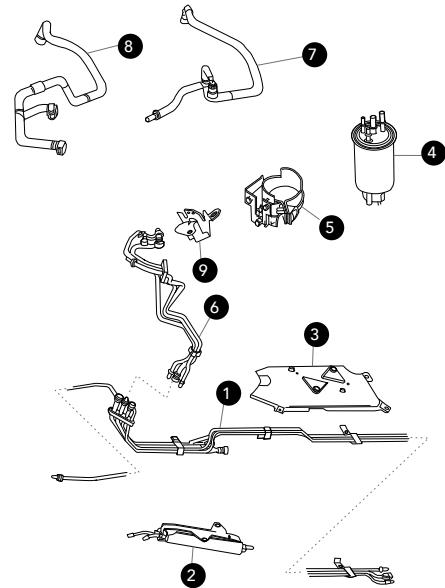
Fuel Pipes: Petrol from VIN M45255

1. Fuel Feed Pipe			
V6			
VIN M45255 to VIN N13088	XR828122	1	
From VIN N13089	XR855927	1	
2. Fuel Feed Pipe			
V8			
VIN M45255 to VIN N13088	XR825876	1	
From VIN N13089	XR855928	1	
3. Fuel Feed Pipe			
4.2 Litre Supercharged			
VIN M45255 to VIN N13088	XR825877	1	
From VIN N13089	XR855929	1	
4. Fuel Feed Pipe			
Under Floor Assembly			
VIN M45255 to VIN N13088	XR816432	1	
From VIN N13089	XR857905	1	
5. Fuel Filter	C2Z7738	1	

AIR & FUEL DELIVERY

FUEL PIPES

6. Purge Valve			
VIN M45255 to VIN N52047	XR830786	1	
4.2 and Supercharged Models			
From N52048	AJ811752	1	
7. Solenoid Vacuum Valve	XR849660	1	
8. Screw/Washer	XR81736	6	
9. Purge Hose			
4.2 Litre			
VIN M45255 to VIN M62935	AJ82408	1	
VIN M62936 to VIN N13088	AJ87175	1	
VIN N13089 to VIN N52047	AJ88524	1	
10. Purge Hose			
4.2 Litre			
From VIN N52048	AJ88905	1	
4.2 Supercharged			
VIN M45255 to VIN N52047	AJ88525	1	
From VIN N52048	AJ88545	1	
11. Purge Valve Mounting Bracket			
4.2 Supercharged			
From VIN N52048	XR848050	1	
12. Purge Hose			
To VIN N52047			
V6 Petrol	XR842229	1	
From VIN N52048			
3.0 Petrol	C2D27266	1	

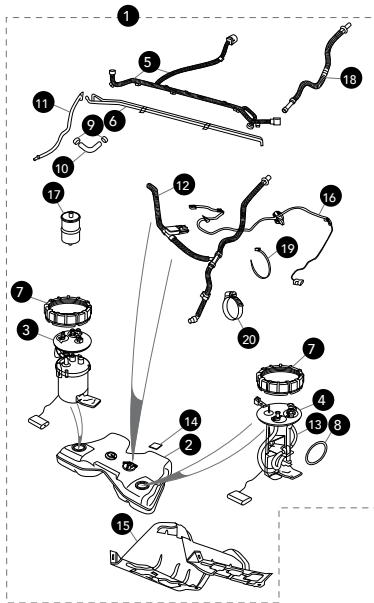


Fuel Feed and Return Pipes: Diesel

1. Fuel Feed Pipe			
2.7 Litre Turbo Diesel			
To VIN N40991	XR839202	1	
From VIN N40992	XR852149		
2. Fuel Cooler			
2.7 Litre Turbo Diesel			
To VIN N40991	XR832509	1	
From VIN N40992	C2C26525	1	
3. Fuel Cooler Shield	XR852024	1	
4. Fuel Filter	XR857585	1	
5. Fuel Filter Mounting Bracket	XR856595	1	
6. Fuel Feed Pipe			
Engine bay to filter	XR853768	1	
7. Fuel Feed Pipe			
Filter to engine	XR843367	1	
8. Fuel Return Pipe			
Engine to filter	XR843366	1	
9. Fuel Filter Mounting Bracket	XR837588		

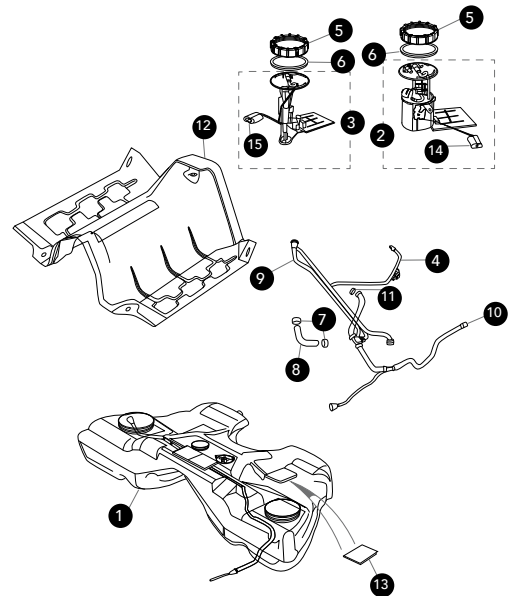
AIR & FUEL DELIVERY

FUEL TANK



Fuel Tank up to VIN M45254

1. Fuel Tank			
Canada, Dominican Rep and USA	XR829744	1	
All Other Markets	XR829753	1	
2. Fuel Tank	XR829746	1	
3. Fuel Pump	XR822164	1	
4. Fuel Tank Sender	XR843822	1	
5. Fuel Control Link Harness			
Canada, Dominican Rep and USA	XR813935	1	
All Other Markets	XR85461	1	
6. Fuel Hose	XR818401	1	
7. Retaining Ring	XR87952	1	
8. Gasket	XR85049	2	
9. Hose Clamp	XR83805	2	
10. Vapour Hose	XR87955	1	
11. Fuel Hose	XR829750	1	
12. Vapour Hose			
Canada, Dominican Rep and USA	XR88354	1	
All Other Markets	XR88355	1	
13. Fuel Hose	XR817553	1	
14. Insulator	C2C16250	1	
15. Shield	XR813939	1	
16. Fuel Control Link Harness	XR818402	1	
17. Fuel Filter	XR817558	1	
18. Fuel Return Hose	XR817571	1	
19. Tie Strap	ADU9028	1	
20. Worm drive hose clip	JHC200101	1	



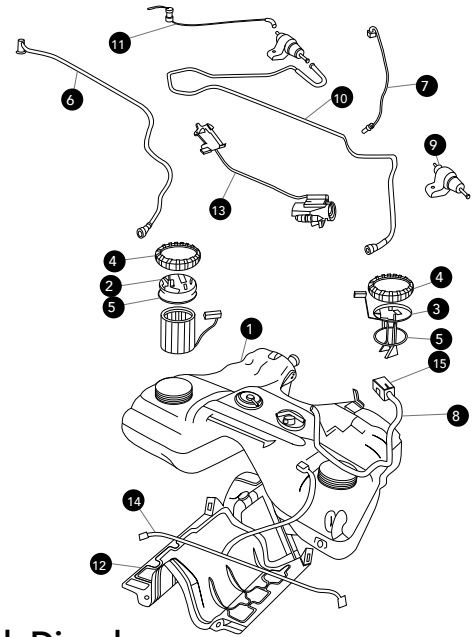
Fuel Tank from VIN M45255

1. Fuel Tank			
Except 4.2 Litre Supercharged			
To VIN N52047	XR852385	1	
From VIN N52048	C2Z11081	1	
4.2 Litre Supercharged			
Up to VIN N52047	XR852346	1	
From N52048	C2Z11081	1	
2. Sender and Pump Assembly			
Except 4.2 Litre Supercharged			
RH Side			
To VIN N52047	XR849199	1	
From VIN N52048	XR852872	1	
4.2 Litre Supercharged			
LH Side			
To VIN N52047	XR849201	1	
From VIN N52048	XR856398	1	
RH Side			
From VIN M45255	XR849200	1	
3. Sender and outlet tube assembly			
Except 4.2 Litre Supercharged	XR857987	1	
4. Harness	XR854115	1	
5. Retaining ring	XR87952	2	
6. Gasket	XR85049	1	
7. Hose Clamp	XR85041	2	

AIR & FUEL DELIVERY

FUEL TANK

8. Vapour Hose	XR87955	1
9. Fuel Hose		
Except 4.2 Litre Supercharged	XR831011	1
4.2 Litre Supercharged	XR831012	1
10. Vapour Pipe	Contact Sales	
11. Hose Clamp	XR83805	1
12. Heatshield	C2Z6743	1
13. Insulator	C2C16250	4
14. Sender Sensor		
Except 4.2 Litre Supercharged		
VIN M45255 to VIN N13088	XR854118	1
VIN N13089 to VIN N52047	XR854121	1
4.2 Litre Supercharged		
From VIN M45255 to N13088		
Fuel pump RH	XR854118	1
Fuel pump LH	XR854120	1
VIN N13089 to VIN N52047		
Fuel pump RH	XR854122	1
Fuel pump LH	XR854123	1
15. Sender Sensor		
Except 4.2 Litre Supercharged		
VIN M45255 to VIN N13088	XR854119	1
VIN N13089 to VIN N52047	XR854119	1

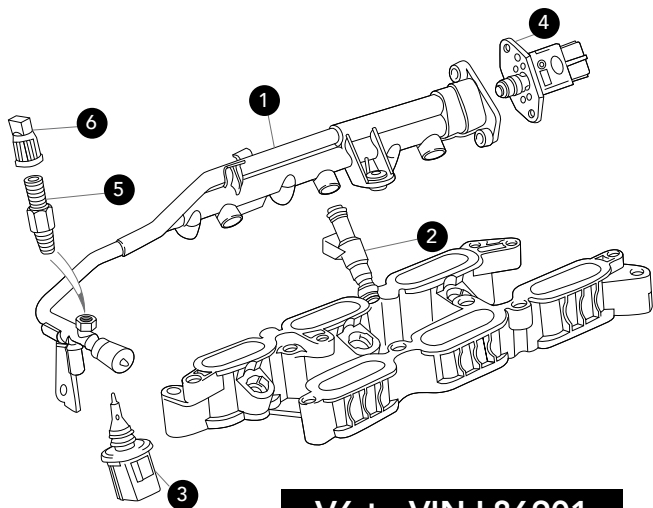


Fuel Tank Diesel

1. Fuel Tank	C2Z11082	1
2. Fuel Pump		
To VIN N52047	XR843505	1
From VIN N52048	C2C35101	1
3. Sender and outlet tube assembly		
To VIN N52047	XR843504	1
From VIN N52048	XR854264	1
4. Retaining Ring	XR87952	1
5. Gasket	XR85049	2
6. Fuel Hose	XR849546	1
7. Fuel Return Hose	XR849547	1
8. Vapour Hose	XR849548	1
9. Fuel Pump	XR850058	1
10. Fuel Hose	XR850059	1
11. Fuel Hose	XR850060	1
12. Heatshield	C2Z6743	1
13. Fuel Pump Hose	XR849549	1
14. Harness		
To VIN N52047	XR847773	1
From VIN N52048	XR855497	1
15. Vapour Separator	C2S22069	1

AIR & FUEL DELIVERY

INJECTORS & PIPES

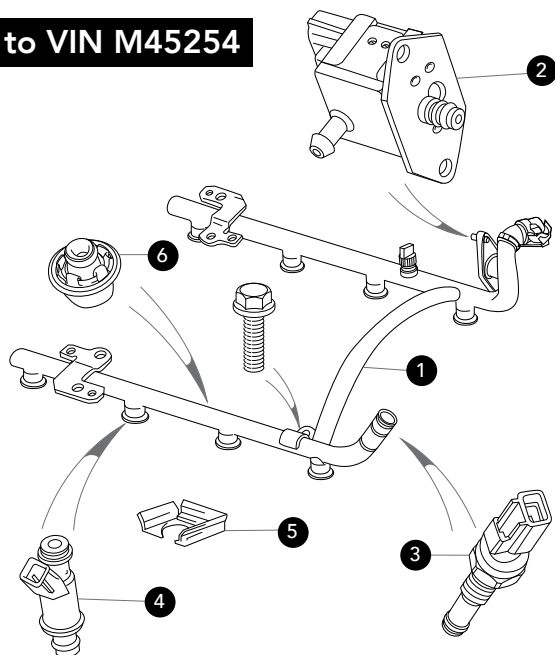


V6 to VIN L86901

V6 to VIN L86901

1. Fuel Rail	XR815338	1
2. Fuel Injector		
Brazil	XR813372	6
Except Brazil	XR83352	6
3. Fuel Temperature Sensor	AJ810514	1
4. Transducer	XR812489	1
5. Pressure Relief Valve	XR85103	1
6. Cap	XR85104	1

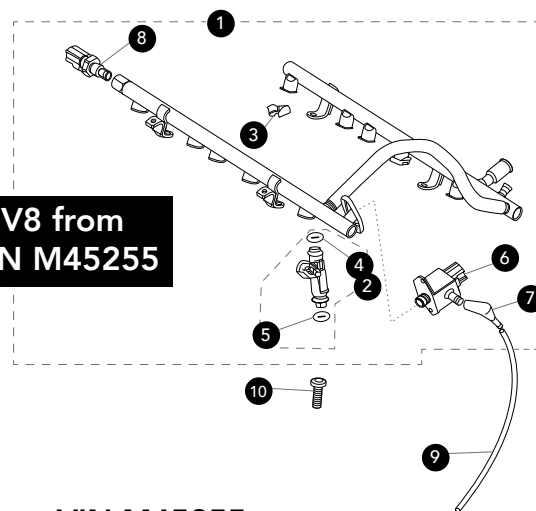
V8 to VIN M45254



V8 to VIN M45254

1. Fuel Rail		
4.0 litre	AJ84079	1
2. Transducer	AJ87977	1
3. Temperature Sensor	LRA1600BA	1
4. Fuel Injector	AJ81307	8
5. Injector Clip	AJ81060	8
6. Damper	AJ84080	2

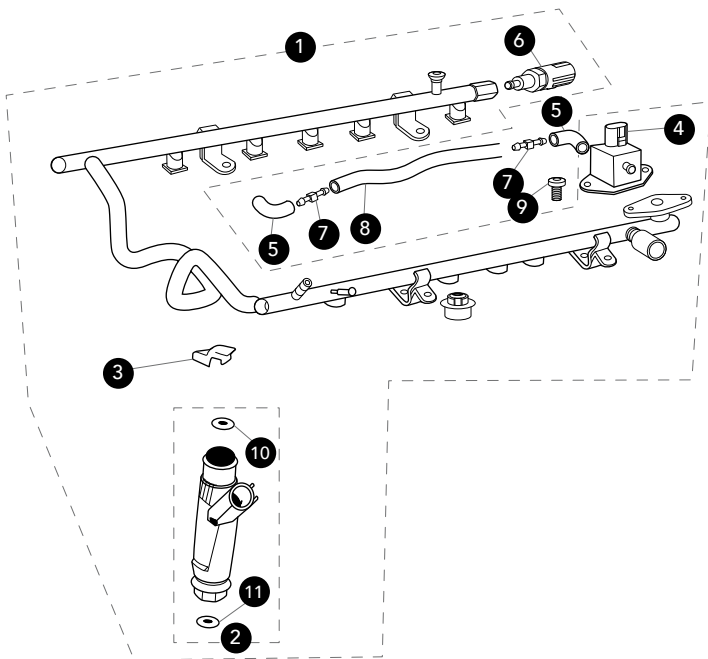
V8 from VIN M45255



V8 from VIN M45255

1. Fuel Rail		
4.2 Litre	AJ811306	1
2. Fuel Injector		
4.2 Litre		
To VIN N52047	AJ82353	8
From VIN N52048	AJ811176	8
3. Injector Clip		
4.2 Litre		
To VIN N52047	AJ82853	8
From VIN N52048	AJ89624	8
4. Upper Injector O-Ring	C2C19756	8
5. Lower Injector O-Ring	C2C19757	8
6. Fuel Pressure Sensor	AJ87977	8
7. Vacuum Elbow	NCE4799EA	1
8. Temperature Sensor	LRA1600BA	1
9. Vacuum Hose	AJ83877	1
10. Pan Head Screw	AJ82679	4

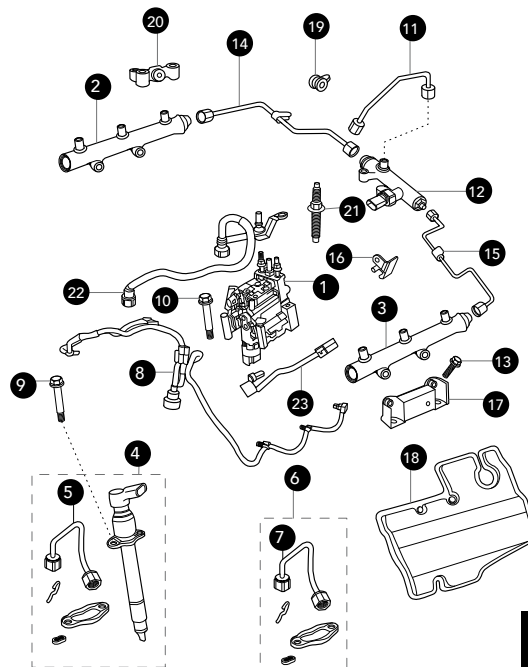
V8 Supercharged



V8 Supercharged

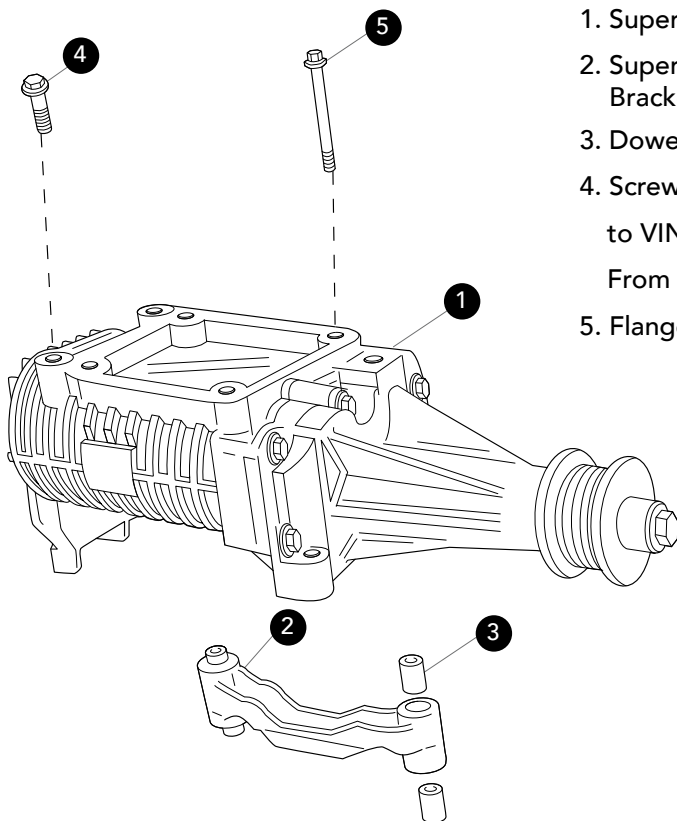
1. Fuel Rail			
4.2 Litre Supercharged			
to VIN N52047	AJ811111		1
From VIN N52048	AJ811278		1
2. Fuel Injector			
4.2 Litre Supercharged			
To VIN N52047	AJ82532		8
From VIN N52048	AJ811177		8
3. Injector Clip			
4.2 Litre Supercharged			
To VIN M62935	AJ82853		8
From VIN M62936	AJ89624		8
4. Fuel Pressure Sensor	AJ87977		1
5. Elbow	EAC7965		2
6. Temperature Sensor	LRA1600BA		1
7. Connector	AJ83876		2
8. Vacuum Hose	AJ83877		1
9. Pan Head Screw	AJ82679		4
10. Upper Injector O-Ring	C2C19756		8
11. Lower Injector O-Ring	C2C19757		8

For injectors & pumps for diesel engines please contact sales



Injectors & Pumps - Diesel

AIR & FUEL DELIVERY SUPERCHARGER



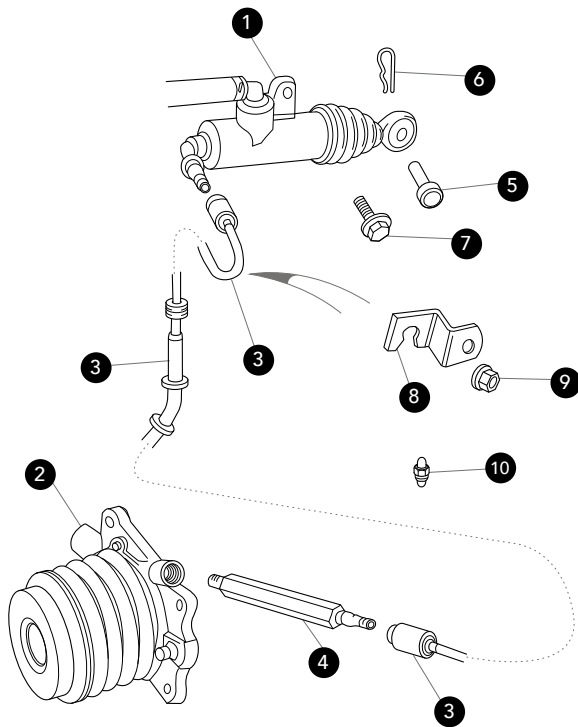
1. Supercharger	AJ89855	1
2. Supercharger Mounting Bracket	NCC7708AB	1
3. Dowel	EAZ2159	4
4. Screw		
to VIN M62935	JFS10830B	1
From VIN M62936	C2C21629	1
5. Flange Head Bolt	JDE4411	2



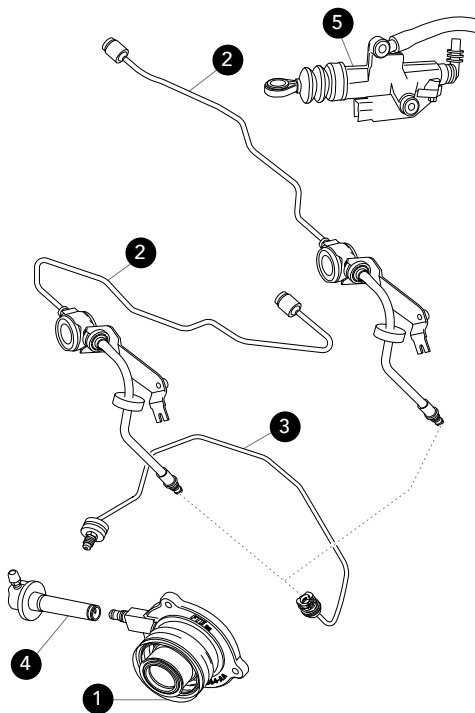
TRANSMISSION & DRIVELINE

CLUTCH MASTER & SLAVE CYLINDER

Clutch Master and Slave - Petrol



1. Clutch Master Cylinder			
3.0 Petrol, manual			
To VIN M45254	XR82690		1
From VIN M45255	XR849054		1
2. Clutch Slave Cylinder			
With Release Bearing	XR82820		1
3. Clutch Pipe and Hose			
Manual, LHD			
To VIN L40699	XR82691		1
From VIN L40700	XR816390		1
Manual, RHD			
To VIN L48349	XR82692		1
From VIN L48350	XR816391		1
4. High Pressure Tube	XR82822		1
5. Clevis Pin	C2C1140		1
6. Locking Pin	XR81947		1
7. Bolt	AJ89714		6
8. Clutch Pipe Support Bracket	JLM21354		1
9. Special Nut	XR815764		1
10. Bleed Nipple	XR89662		1
11. Bolt	C2N1300		6



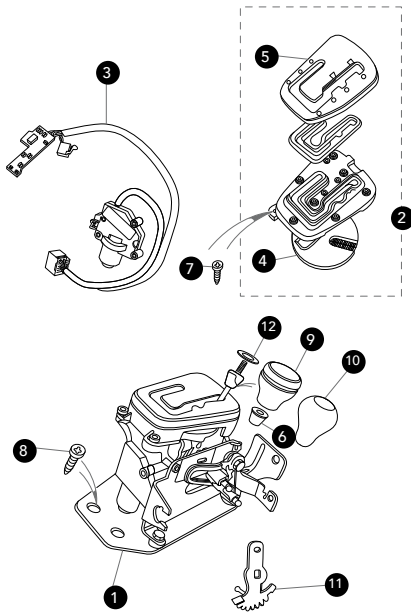
Clutch Master and Slave - Diesel

1. Clutch Slave Cylinder	XR832967		1
2. Clutch Pipe and Hose			
LHD, manual	XR842336		1
RHD, manual			
To VIN N63865	XR842337		1
From VIN N63866	XR854577		1
3. Tube	XR842577		1
4. High Pressure Tube	XR855075		1
5. Clutch Master Cylinder	XR849054		1

TRANSMISSION & DRIVELINE

GEARBOX CONTROLS & LINKAGE

Gear Change Control - Automatic



Gear Change Control - Automatic

1. Gearshift Hand Lever			
To VIN M45254	XR817754	1	
From VIN M45255	XR856664	1	
2. Gear Selector Illumination Module			
To VIN M45254	XR811916	1	
3. Switch			
J-Gate			
To VIN M45254	JLM21993	1	
4. Disc			
To VIN M45254	JLM21029	1	
5. Selector Gate			
To VIN M45254	JLM21309	1	
6. Locking Cone			
To VIN M45254	JLM21027	1	
7. Screw	JLM21028	1	
8. Bolt			
To VIN M45254	XR82673	4	
From VIN M45255	XR82059	4	
9. Gear Change Knob	Contact Sales	1	
10. Gear Change Knob	Contact Sales	1	

11. Selector Lever

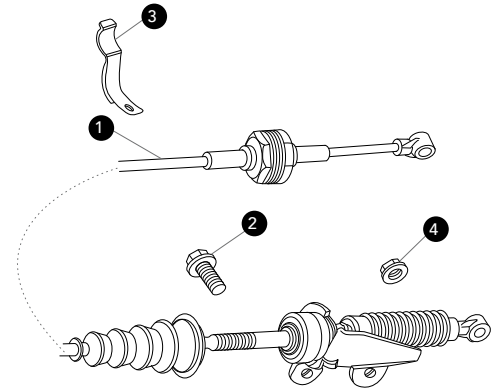
Inner

To VIN M45254 XR841639 1

12. Collar

Gearshift

From VIN M45255 XR833620 1



Gear Control Cable - Automatic

Gear Control Cable - Automatic

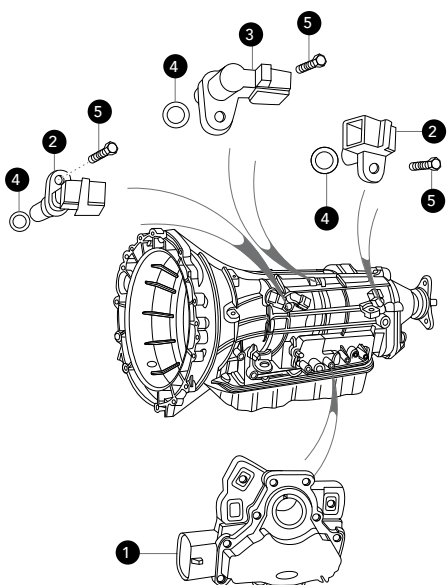
1. Gear Control Cable			
To VIN M45254	XR833366	1	
From VIN M45255	XR855991	1	
2.7 Litre Turbo Diesel	XR855992	1	
2. Bolt			
To VIN M45254	C2S26049	2	
From VIN M45255	C2P11837	2	
3. Cable Clip			
To VIN M45254	XR815107	1	
4. Hexagonal Nut			
From VIN M45255	C2P7628	1	



TRANSMISSION & DRIVELINE

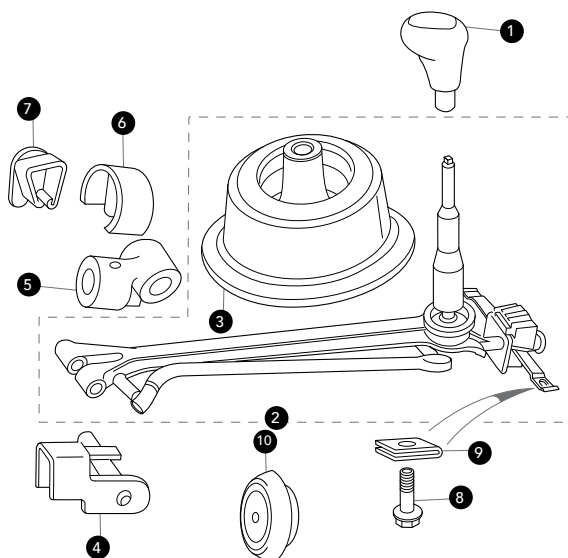
GEARBOX CONTROLS & LINKAGE

Gearbox Switches - Automatic



Gearbox Switches Automatic to M45254

1. Rotary Switch	XR853521	1
2. Speed Sensor		
Denso Engine Management	XR83400	2
3. Speed Sensor	XR810081	1
4. Sealing Ring	XR85834	3
5. Screw	XR85643	3

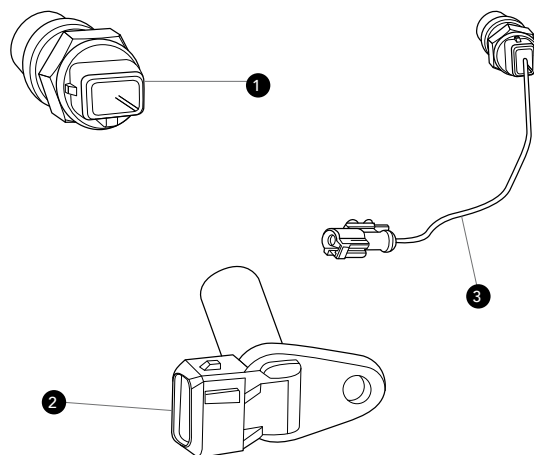


Gear Change Control - Manual

Gear Change Control - Manual

1. Gear Change Knob	Contact Sales	
2. Change Speed Lever		
Except 2.7 Litre Diesel	XR842542	1
2.7 Litre Diesel	XR832968	1
3. Gear Lever Gaiter	XR89668	1
4. Clevis Pin		
2.7 Litre Diesel	XR837563	1
3.0 Litre Petrol	XR82829	1
5. Pivot Link	XR82850	1
6. Locking Pin	XR82846	1
7. Linkage Clip	XR82849	1
8. Screw/Washer	XR81736	1
9. Spring Nut	XR848059	1
10. Blanking Plug	XR81949	1

Gearbox Switches - Manual

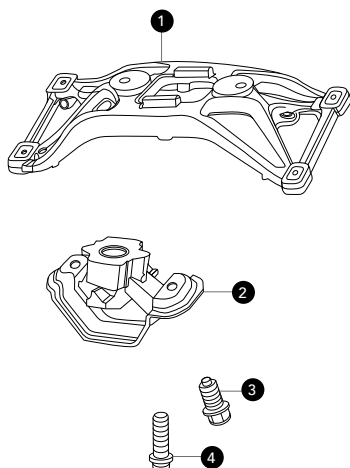


Gearbox Switches - Manual

1. Reverse Lamp Switch	XR86412	1
2. Speed Sensor	XR86413	1
3. Neutral Detect Switch	XR853600	1

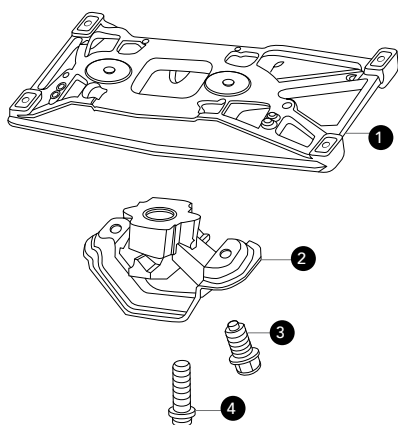
TRANSMISSION & DRIVELINE

GEARBOX MOUNTINGS



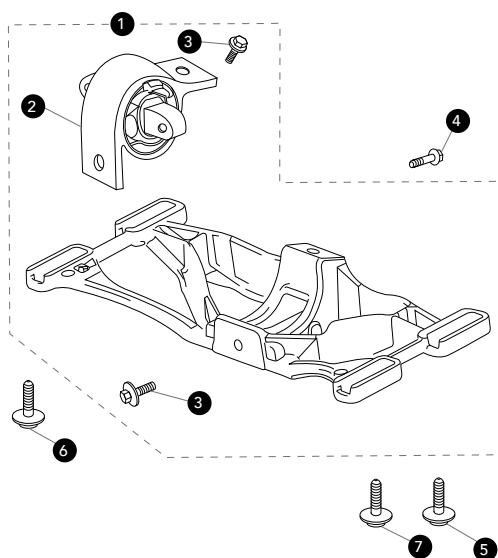
Gearbox Mounting - Manual

1. Engine Mounting Bracket	XR822579	1
2. Engine Mounting	XR839221	1
3. Hexagonal Flange Screw		
M10 x 20mm	C2S24741	2
M10 x 25mm	C2Z2335	2
M10 x 65mm	C2S24741	2
4. Torx Bolt		
M10 x 40mm	XR88027	1



Gearbox Mounting - Automatic To VIN M45254

1. Engine Mounting Bracket		
To VIN L52822	XR81942	1
VIN L52823 to VIN M45254		
Front - Rear Mounting		
3.0 Litre Petrol	XR818342	1
4.0 Litre Petrol	XR818343	1
2. Engine Mounting	C2C34308	1
3. Hexagonal Flange Screw	C2Z2335	2
4. Torx Bolt	XR88027	1



Gearbox Mounting - Automatic from VIN M45255

1. Engine Mounting Bracket		
Except 4.2 Litre Supercharged	XR857106	1
4.2 Litre Supercharged	XR857107	1
2. Engine Mounting, rear		
Except 4.2 Litre Supercharged	XR853854	1
4.2 Litre Supercharged	XR849534	1
3. Bolt		
Transmission mount to bracket	C2S45287	2
4. Bolt		
Transmission mount to transmission	JFB110097	2
5. Screw/washer		
VIN M45255 to M91569	C2C36871	4
6. Bolt and Washer		
From VIN M91570	C2C36871	4
7. Bolt		
Transmission mount to transmission	JB110087	2

TRANSMISSION & DRIVELINE

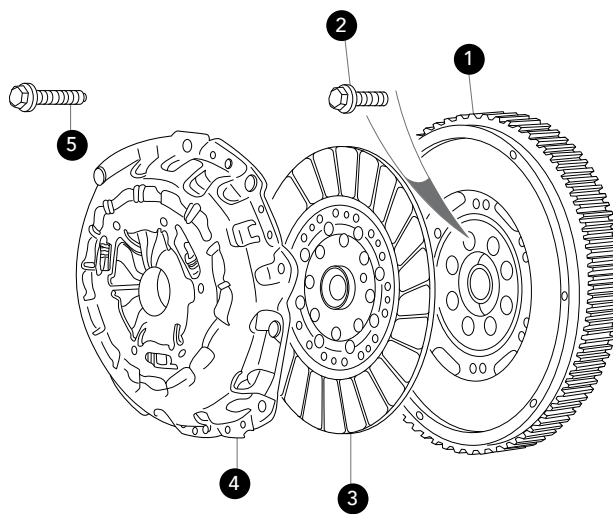
FLYWHEEL & CLUTCH

Flywheel and Clutch: V6 Petrol

1. Flywheel			
10mm Dowels			
3.0 Litre V6	XR814347	1	
6mm Dowels	XR828196	1	
2. Dowel			
Clutch to Flywheel - 10mm	XR89654	3	
3. Clutch Friction Plate	XR843286	1	
4. Clutch Cover			
10mm Dowels			
3.0 Litre V6	XR813278	1	
6mm Dowels	XR828229	1	
5. Cover Screw	XR86416	6	
6. Hexagonal head flanged bolt			
To VIN M01549			
10mm Dowels	XR85329	8	
From VIN M01550			
6mm Dowels	C2S5392	8	

Flywheel and Clutch: Diesel

1. Flywheel	XR858375	1
2. Screw	C2S22554	8
3. Clutch Plate	JDE6961	1
4. Clutch Cover	XR850065	1
5. Cover Screw	XR86416	6



TRANSMISSION & DRIVELINE

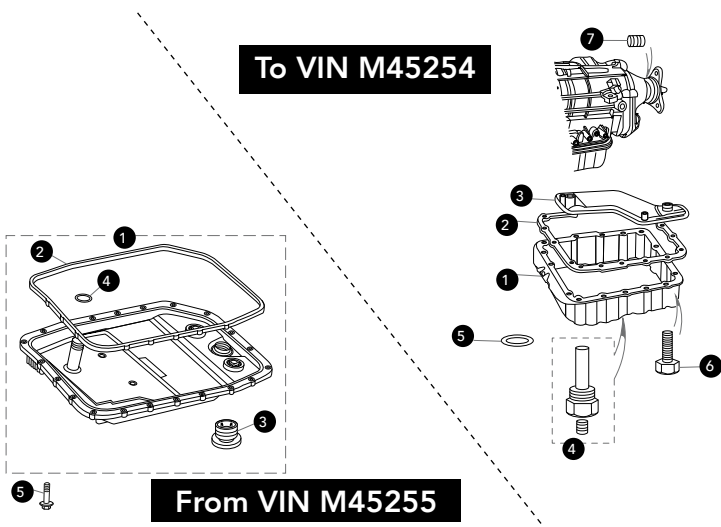
OIL SUMP PAN

Oil Sump Pan: Automatic to VIN M45254

1. Sump Pan	XR852334	1
2. Sump Pan Gasket	XR814422	1
3. Sump Filter	XR818567	1
4. Drain Tube	XR852333	1
5. Fibre Washer	XR842768	1
6. Bolt	C2C26049	16
7. Filler Plug	XR85106	1

Oil Sump Pan: Automatic from VIN M45255

1. Sump Pan	C2C38963	1
2. Sump Pan Gasket	C2C6714	1
3. Drain Plug	C2C6699	1
4. O-Ring	C2C6730	1
5. Screw	C2C6726	21



TRANSMISSION & DRIVELINE

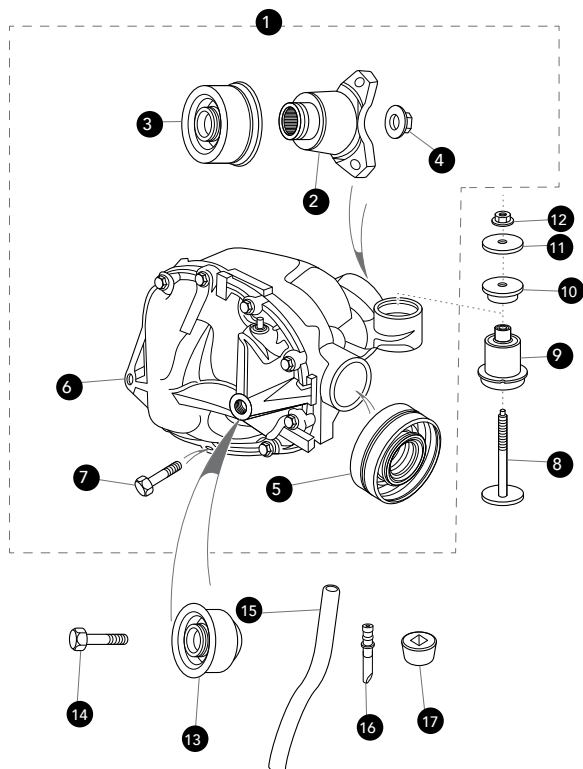
DIFFERENTIAL ASSEMBLIES

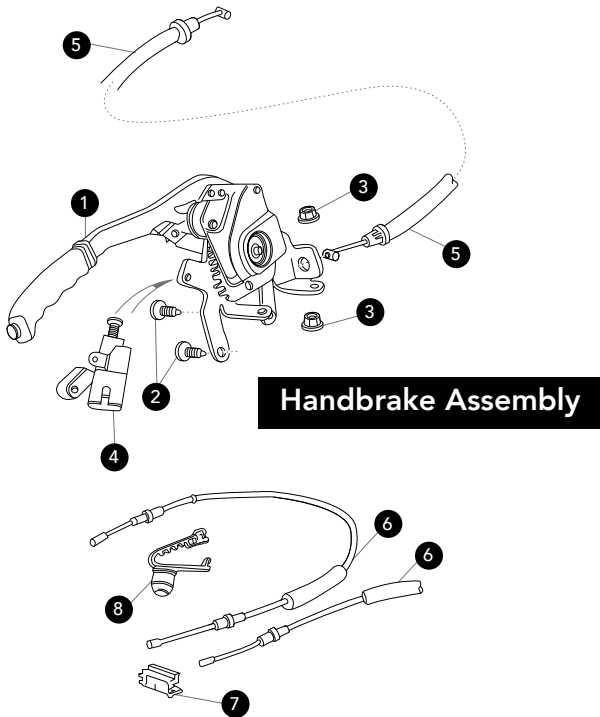
Differential Assembly to M45254

1. Differential Assembly	Contact Sales	
2. Companion Flange	XR83490	1
3. Pinion Oil Seal	C2S52518	1
4. Pinion Nut	XR85967	1
5. Output Shaft Oil Seal	XR83492	2
6. Differential Carrier Cover	XR85906	1
7. Screw/Washer	XR85077	10
8. Bolt and washer	XR818603	1
9. Front Lower insulator	XR818453	1
10. Front Upper Insulator	XR818452	1
11. Shim	C2C31909	1
12. Flanged Nut	XR856263	1
13. Rear Insulator	XR813260	2
14. Bolt and washer	XR853285	2
15. Breather tube	XR81873	1
16. Vent	XR815974	1
17. Level Plug	XR815977	1
18. Final Drive Oil	JLM21847	1

Differential Assembly from M45255

1. Differential Assembly	Contact Sales	
2. Companion Flange		
All models	C2C32944	1
3. Pinion Oil Seal	C2S52518	1
4. Pinion Nut	XR85967	1
5. Output Shaft Oil Seal	XR821244	2
6. Differential Carrier Cover	XR820547	1
7. Screw/Washer	XR85077	10
8. Bolt and Washer	C2C22516	1
9. Front Lower Insulator		
2.5 Litre Petrol, auto		
To VIN N52047	C2C1780	1
From VIN N52048	C2C16377	1
2.5 Litre Petrol, manual	C2C1780	1
2.7 Litre Turbo Diesel	C2C1780	1
3.0 Litre Petrol, auto		
To VIN N52047	C2C1780	1
From VIN N52048	C2C16377	1
3.0 Litre Petrol, manual	C2C1780	1
4.2 Litre, auto	C2C1780	1
4.2 Litre Supercharged	C2C1780	1
10. Front Upper Insulator	C2C8221	1
11. Shim	C2C31909	1
12. Flanged Nut	XR856263	1
13. Rear Insulator	XR813260	2
14. Bolt and Washer	XR853285	2
15. Breather Tube	XR81873	1
16. Vent	XR815974	1
17. Level Plug	XR815977	1
18. Final Drive Oil	JLM21847	1





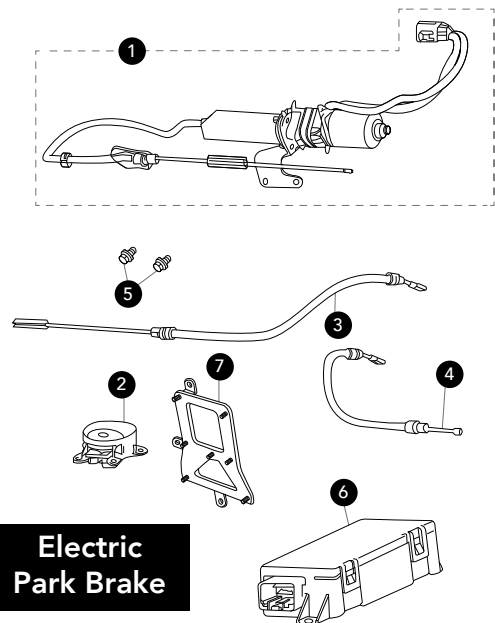
Handbrake Assembly and Cables

1. Handbrake Lever Assembly	Contact Sales	1
2. Screw	XR828093	2
3. Nut and Washer	XR810558	2
4. Handbrake Switch	XR813268	1
5. Front Handbrake Cable	XR89633	1
6. Brake Actuator Cable		
LH Rear	C2C4473	1
RH Rear	C2C4472	1
7. Handbrake Cable Equaliser	XR81632	1
8. Cable Clip		
LH Rear	C2C2127	1
RH Rear	C2C12162	1

Electric Park Brake Assembly and Cables

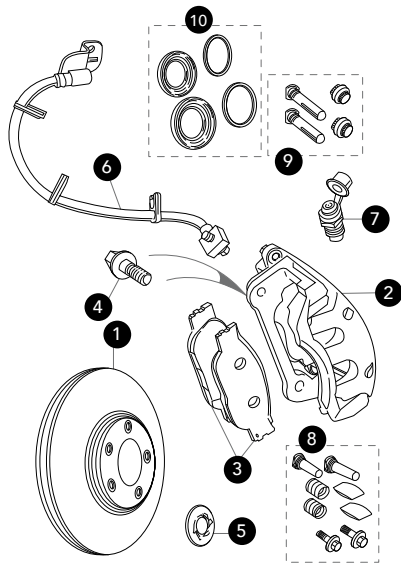
1. Handbrake		
Except 4.2 Litre Supercharged	C2Z3205	1
4.2 Litre Supercharged	C2C38667	1
2. Park Switch		
VIN M45255 to VIN N13088	C2C25667	1
From VIN N13089	C2C26857	1

3. Parkbrake Cable, RH		
Except 4.2 Litre Supercharged		
To VIN N52047	C2C27650	1
4.2 Litre Supercharged		
To VIN N52047	XR852339	1
From VIN N52048		
All models	C2C31910	1
4. Parkbrake Cable, LH		
Except 4.2 Litre Supercharged		
To VIN N52047	C2C27653	1
4.2 Litre Supercharged		
To VIN N52047	XR852340	1
From VIN N52048		
All models	C2C31911	1
5. Flange Screw	C2S1998	2
6. Electronic Control Module		
To VIN N13088	C2C33376	1
Automatic		
From VIN N13089	C2C39403	1
Manual		
From VIN N13089	XR857768	1
7. Control Unit Mounting Bracket	XR843539	1
8. Spring Nut	C2C26895	1



BRAKING

FRONT DISCS & CALIPERS



to VIN
M45254

Front Brake Disc & Caliper to M45254

1. 300mm Brake Disc	XR858130	1
2. Brake Caliper		
LH Assembly - less pads	JLM20928	1
RH Assembly - less pads	JLM20927	1
3. Brake Pad Kit	XR813324	1
4. Caliper Mounting Bolt	C2C1247	4
5. Retainer	C2C3384010	2
6. Flexible Hose		
LH	C2C3560	1
RH	C2C3557	1
7. Bleed Screw	XR810512	2
8. Guide Pin Kit	XR810214	1
9. Guide Pin Kit	XR810513	1
10. Sealing Kit	XR810514	1
11. Flanged head screw, brake hose to body	XR81754	1

Front Brake Disc & Caliper Non Supercharged from VIN M45255 to VIN N52047

1. Brake Disc		
300mm brake disc	XR858130	1
320mm brake disc	C2C8354	1
2. Nut	C2C33384010	2
3. Caliper Housing		
LH	C2C12071	1
RH	C2C12070	1

4. Anchor Bracket

2.5 Petrol Sports Suspension

RH Front	C2C8345	1
LH Front	XR830136	1

2.5 Petrol Non Sports Suspension

RH Front	XR810218	1
LH Front	XR810219	1

2.7 Turbo Diesel

Non Sports Suspension

RH Front	XR810219	1
LH Front	XR810218	1

3.0 Petrol Sports Suspension

RH Front	C2C8345	1
LH Front	XR830136	1

3.0 Petrol Non Sports Suspension

RH Front	XR810219	1
LH Front	XR810218	1

4.2 Petrol Sports Suspension

RH Front	C2C8345	1
LH Front	XR830136	1

4.2 Petrol Non Sports Suspension

CANADA/USA

RH Front	XR810219	1
LH Front	XR810218	1

Other Markets

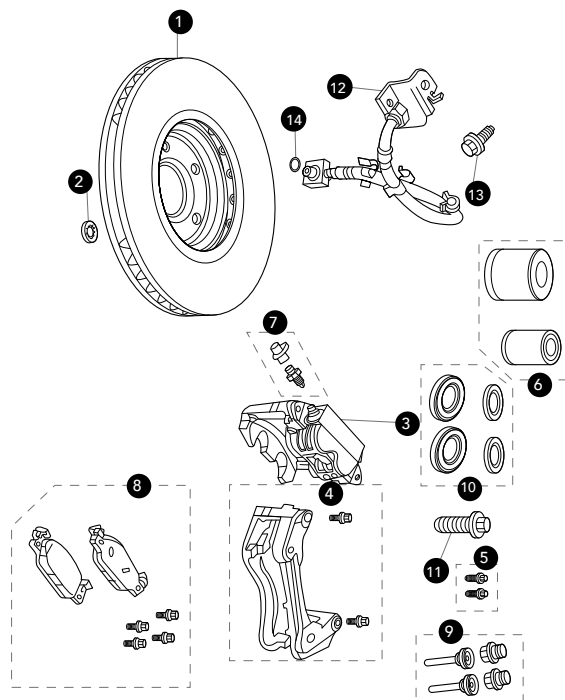
RH Front	C2C8345	1
LH Front	XR830136	1

5. Guide pin bolt kit	XR810516	1
6. Piston Service Kit	XR810511	2
7. Bleed Screw	XR810512	2
8. Brake Pad Kit	XR858178	1
9. Guide Pin Kit	XR810513	1
10. Sealing Kit	XR810514	2
11. Caliper Mounting Bolt	C2C1247	4
12. Flexible Hose		
LH	XR853864	1
RH	XR853862	1
13. Screw, brake hose to body	XR87792	2
14. Copper washer		
14. Copper washer, brake hose to banjo	C2C31805	2

Front Brake Disc and Caliper Supercharged from VIN M45254 to VIN N52047

1. Brake Disc Kit			
355mm brake disc	C2C25337	1	
2. Nut	C2C3384010	2	
3. Brake Caliper, less pads, Jaguar logo			
LH Front	C2C11646	1	
RH Front	C2C11657	1	
4. Brake Pad Kit	C2C24018	1	
5. Flexible Hose			
LH	XR853865	1	
RH	XR853863	1	
6. Caliper Mounting Bolt	C2C6744	4	
7. Bleed Screw	C2C8362	2	
8. Brake Pad pin/clip kit	C2C21785	1	
9. Piston Service Kit	C2C24011	1	
10. Copper Washer			
Brake hose to banjo	C2C31805	2	

VIN M45255 to VIN N52047



GREENSTUFF® BRAKE PADS

'Greenstuff' brake pads, which make use of the very latest and best in friction technology, can give a noticeable improvement in the braking performance of your Jaguar S-Type whilst still retaining the vehicle's original calipers.

Choose Green Stuff; for even greater improvements in stopping power!

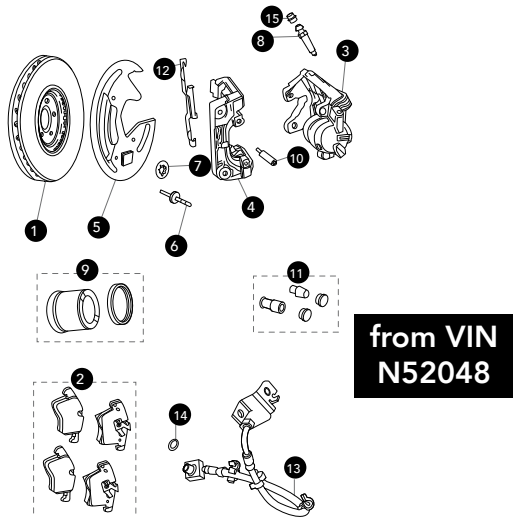
> CONTACT OUR FRIENDLY SALES TEAM FOR ADVICE ON THE FULL RANGE OF GREEN STUFF® BRAKE PAD SETS FOR YOUR JAGUAR

+44 (0)1746 765432



BRAKING

FRONT DISCS & CALIPERS

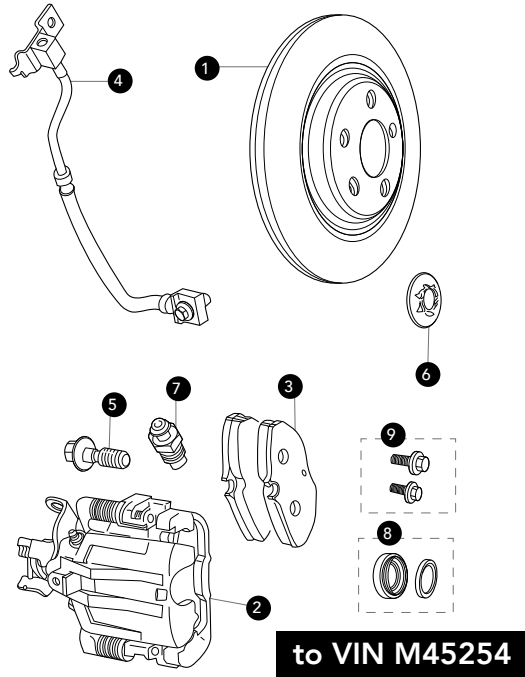


Front Brake Disc and Caliper from VIN N52048

1. Brake Disc Kit				
2.7 Turbo Diesel, 326mm disc	C2C25336	1		
3.0 Petrol, 305mm disc	C2C25335	1		
326mm brake disc	C2C25336	1		
4.2, 326mm disc	C2C25336	1		
4.2 Supercharged, 355mm disc	C2C25337	1		
2. Brake Pad Kit				
Except 4.2 Litre Supercharged	C2C39929	1		
4.2 Litre Supercharged	C2C40926	1		
3. Caliper Housing				
2.7 Turbo Diesel, 326mm disc				
LH	C2C27284	1		
RH	C2C27282	1		
3.0 Petrol, 326mm disc				
LH	C2C27284	1		
RH	C2C27282	1		
3.0 Petrol, 305mm disc				
LH	XR855695	1		
RH	XR855694	1		
4.2, 326mm disc				
LH	C2C27284	1		
RH	C2C27282	1		
4.2 Supercharged, 355mm disc				
LH	C2C27285	1		
RH	C2C27283	1		
4. Anchor Bracket				
2.7 Turbo Diesel, 326mm disc				
LH	C2Z7845	1		
RH	C2Z7844	1		
3.0 Petrol, 305mm disc				
LH	XR855693	1		
RH	XR855692	1		
3.0 Petrol, 326mm disc				
LH	C2Z7845	1		
RH	C2Z7844	1		
4.2, 326mm disc				
LH	C2Z7845	1		
RH	C2Z7844	1		
4.2 Supercharged, 355mm disc				
LH	C2C27281	1		
From VIN N62885	C2C34141	1		
RH				
VIN N52048 to VIN N62884	C2C27278	1		
From VIN N62885	C2C34140	1		
5. Disc Shield				
LH Front	C2C36870	1		
RH Front	C2C36869	1		
6. Blind Rivet				
	XR817594	6		
7. Nut				
	C2C33384010	4		
8. Bleed Screw				
326mm brake disc	C2C27273	2		
355mm brake disc	C2C27272	2		
9. Brake Caliper Service Kit				
	C2C27274	1		
10. Guiding Pin				
12mm diameter	C2C27297	2		
16mm diameter	C2C29162	1		
11. Bushing Kit				
Except 4.2 Supercharged	C2C29161	1		
12. Spring				
Jaguar Logo				
355mm brake disc	C2C29149	2		
R Version				
355mm brake disc	C2C27287	2		
Without logo	C2C27286	2		
13. Flexible Hose				
Except 4.2 Supercharged				
LH Front	XR855614	1		
RH Front	XR855610	1		
14. Copper Washer				
	C2C31805	2		
15. Dust Cap				
	C2C29159	4		
17. Caliper Mounting Bolt				
	C2C27237	4		

BRAKING

REAR DISCS & CALIPERS

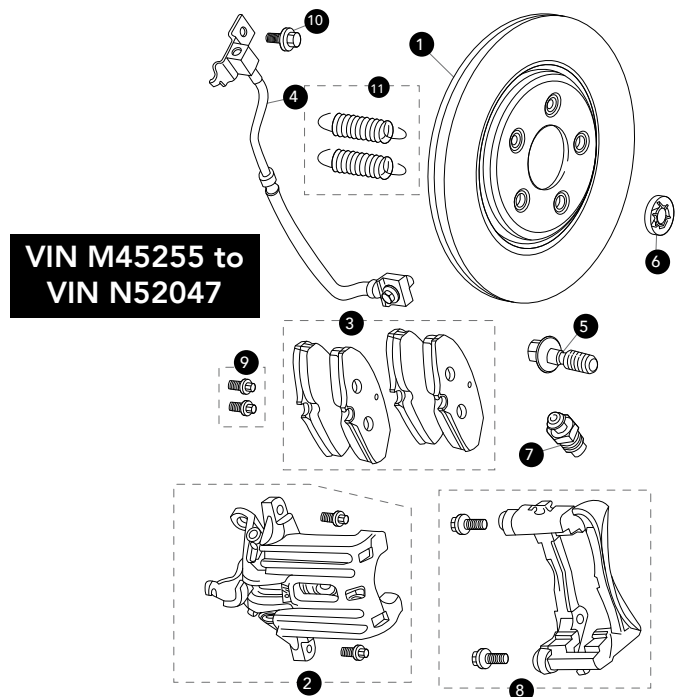


Rear Discs and Caliper to VIN M45254

1. Brake Disc Kit	XR858224	1
2. Brake Caliper		
LH Rear	JLM21462	1
RH Rear	JLM21461	1
3. Brake Pad Kit		
To VIN L86901		
Includes bolts	XR812436	1
VIN L86902 to VIN M45254		
Excludes bolts	XR848934	1
4. Flexible Hose		
LH	C2C3559	1
RH	C2C3558	1
5. Caliper Mounting Bolt	C2C1247	4
6. Retainer	C2C33384010	2
7. Bleed Screw	XR810512	2
8. Sealing Kit	XR810515	1
9. Guide Pin Bolt Kit	XR810516	1
10. Flanged Head screw		
Hose to Body	XR81754	1

Rear Discs and Caliper: Non Supercharged VIN M45255 to VIN N52047

1. Brake Disc Kit	XR858224	1
2. Caliper Housing		
LH Rear		
VIN M45255 to VIN M97583	XR830130	1
From VIN M97584	XR847131	1
RH Rear		
VIN M45255 to VIN M97583	XR830129	1
From VIN M97584	XR847130	1
3. Brake Pad Kit	C2C40194	1
4. Flexible Hose		
LH	XR843131	1
RH	XR838511	1
5. Caliper Mounting Bolt	C2C1247	4
6. Nut	C2C33384010	2
7. Bleed Screw	XR810512	2
8. Anchor Bracket	C2C12386	2
9. Guide pin bolt kit	XR810516	1
10. Screw		
Hose to body	XR87792	2
11. Return Spring	C2C29238	1



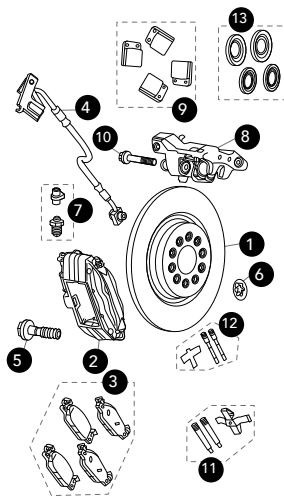
BRAKING

REAR DISCS & CALIPERS

Rear Discs and Caliper: Supercharged VIN M45255 to VIN N52047

1. Brake Disc Kit	C2C8356	1
2. Brake Caliper		
LH Rear	C2C8359	1
RH Rear	C2C8357	1
3. Brake Pad Kit	C2C24016	1
4. Flexible Hose		
LH Rear	XR843132	1
RH Rear	XR828045	1
5. Caliper Mounting Bolt	C2C6745	4
6. Nut	C2C33384010	2
7. Bleed Screw	C2C8362	2
8. Electronic Park Brake Caliper		
LH Rear	C2C11644	1
RH Rear	C2C11643	1
9. Electronic Park Brake Pad Kit	C2C13800	1
10. Caliper Mounting Bolt	C2C6746	4
11. Brake Pad Pin/Clip kit	C2C21783	1
12. Electronic Park Brake Pad Pin/Clip kit	C2C21784	2
13. Seal Service Kit	C2C24017	1

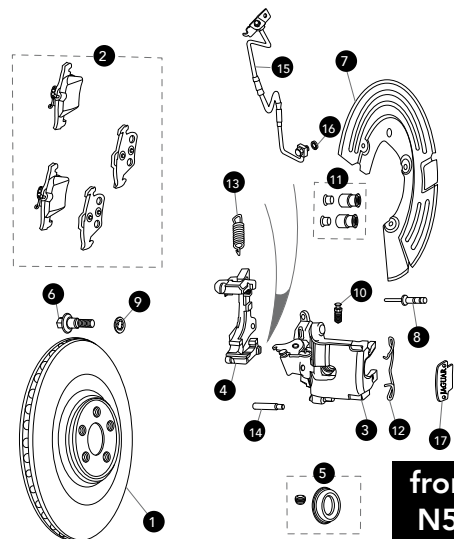
Supercharged VIN M45255 - VIN N52047



Rear Discs and Caliper from VIN N52048

1. Brake Disc Kit		
300mm brake disc	C2C25338	1
326mm brake disc	C2D26352	1
2. Brake Pad Kit		
326mm brake disc	C2C27271	1

3. Caliper Housing		
4.2 Litre Supercharged		
LH Rear	C2C29166	1
RH Rear	C2C29164	1
Except 4.2 Litre Supercharged		
LH Rear	C2C41568	1
RH Rear	C2C41567	1
4. Anchor Bracket		
300mm brake disc	C2C27288	2
326mm brake disc	C2C27289	2
5. Brake Caliper service kit	C2C27275	1
6. Caliper Mounting Bolt	C2C27237	4
7. Disc Shield		
LH Rear	C2C26915	1
RH Rear	C2C26914	1
8. Blind Rivet	XR817594	6
9. Nut	C2C33384010	4
10. Bleed Screw	C2C8366	2
11. Bushing Kit	C2C29161	2
12. Locator Spring	C2P12431	2
13. Return Spring	C2C27294	2
14. Guiding Pin	C2C27297	2
15. Flexible Hose		
LH Rear	XR855613	1
RH Rear	XR855612	1
16. Copper Washer	C2C31805	2
17. Logo Plate, silver grey		
Jaguar Logo	C2C29151	2
Black R Logo	C2C29150	2



BRAKING

BRAKE SERVO & MASTER CYLINDER

1. Brake Booster

To VIN M45254

Dynamic Stability Control

LHD XR815111 1

RHD XR815112 1

Except Dynamic Stability Control

LHD XR815109 1

RHD XR815110 1

VIN M45255 to VIN N52047

Except 4.2 Supercharged

LHD XR843545 1

RHD XR843546 1

4.2 Supercharged

LHD XR843547 1

RHD XR843548 1

From VIN N52048

2.7 Turbo Diesel XR856588

3.0 Petrol XR856589

4.2 Naturally Aspirated XR856588

4.2 Supercharged XR856588

2. Brake Master Cylinder

LHD

To VIN M45254

Dynamic Stability Control XR826246 1

Except Dynamic Stability Control XR810526 1

VIN M45255 to VIN N52047 XR828105 1

From VIN N52048 C2C35765 1

RHD

To VIN M45254

Dynamic Stability Control XR826247 1

Except Dynamic Stability Control XR810527 1

VIN M45255 to VIN N52047 XR829712 1

From VIN N52048 C2C35766 1

3. Transducer

Dynamic Stability Control

To VIN M45254 XR810532 1

From VIN M45255 XR828106 1

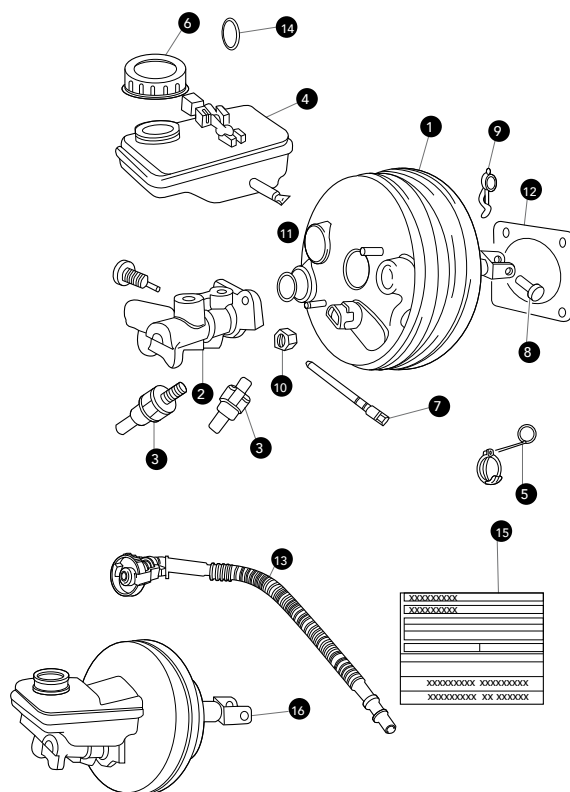
4. Brake Fluid Reservoir

To VIN M45254

LHD XR810533 1

RHD XR810534 1

From VIN M45255 XR834952 1



5. Hose Clamp

RHD - Manual XR88849 1

6. Reservoir Cap

To VIN M45254

Middle East XR816491 1

Except Middle East XR816492 1

From VIN M45255 XR824768 1

7. Screw

To VIN M45254 XR836269 1

From VIN M45255 XR828109 1

8. Clevis Pin

C2C1140 1

9. Locking Pin

To VIN M45254 XR81947 1

10. Plastic Nut

From VIN M45255 XR832811 1

11. O-Ring

XR852447 1

12. Gasket

C2C18831 1

13. Brake Vacuum Pipe

AJ87228 1

14. Seal

From VIN M45255 XR852447 1

15. Label

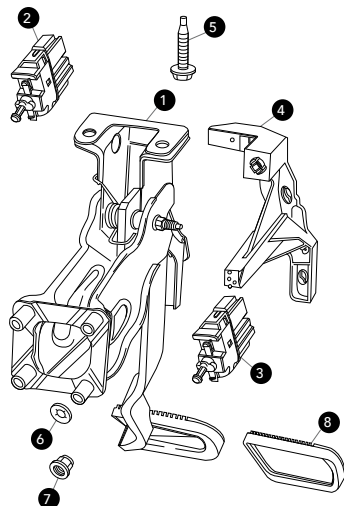
XR853644 1

16. Sensor

C2C39935 1

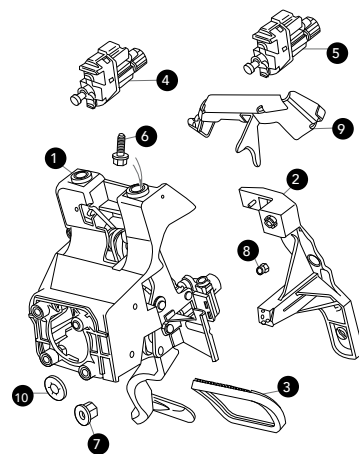
BRAKING

BRAKE/CLUTCH PEDAL COMPONENTS



Brake Pedal Housing: Automatic Fixed

1. Brake Pedal			
LHD			
To VIN M45254	XR815370	1	
From VIN M45255	XR853900	1	
RHD			
To VIN M45254	XR815372	1	
From VIN M45255	XR853902	1	
2. Brake Stoplamp Switch			
To VIN M99485	C2C1074	1	
From VIN M99486	C2C36874	1	
3. Speed Control Switch			
To VIN M99485	XR837626	1	
From VIN M99486	C2S46706	1	
4. Switch Mounting Bracket			
LHD			
	C2C35178	1	
RHD			
To VIN M99485	C2C5919	1	
From VIN M99486	C2C35177	1	
5. Screw			
	XR828093	2	
6. Retainer			
To VIN M45254	XR81948	4	
From VIN M45255	C2C35270	4	
7. Nut			
	XR81780	4	
8. Brake Pedal Pad			
To VIN M45254	XR813489	1	
From VIN M45255	C2C8367	1	

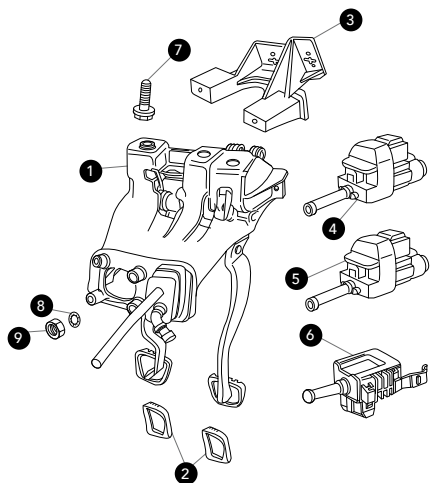


Brake Pedal Housing: Automatic Adjustable

1. Brake Pedal			
LHD			
To VIN N21795	XR845118	1	
From VIN N21796	XR853898	1	
RHD			
To VIN N21795	XR845118	1	
From VIN N21796	XR853898	1	
2. Switch Mounting Bracket			
LHD			
	C2C35178	1	
RHD			
To VIN M99485	C2C5919	1	
From VIN M99486	C2C35177	1	
3. Brake Pedal Pad			
To VIN M45254	XR813489	1	
From VIN M45255	C2C8367	1	
4. Brake Stoplamp Switch			
To VIN M99485	C2C1074	1	
From VIN M99486	C2C36874	1	
5. Speed Control Switch			
To VIN M99485	XR837626	1	
From VIN M99486	C2Z46706	1	
6. Screw			
From VIN M45255	XR828093	2	
7. Nut			
From VIN M45255	XR81780	4	
8. Plastic Nut			
From VIN M45255	XR832811	1	
9. Bracket			
LHD			
	XR847136	1	
RHD			
	XR847137	1	
10. Retainer			
From VIN M45255	C2C35270	4	

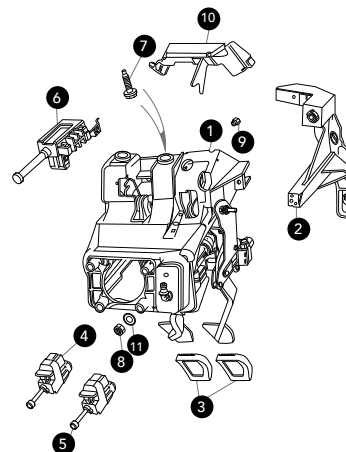
BRAKING

BRAKE/CLUTCH PEDAL COMPONENTS



Brake/Clutch Pedal Housing: Manual Fixed

1. Brake/Clutch Pedal			
LHD			
To VIN M45254	XR815371	1	
From VIN M45255	XR853906	1	
RHD			
To VIN M45254	XR815373	1	
From VIN M45255	XR853907	1	
2. Brake Pedal Pad	XR813488	2	
3. Switch Mounting Bracket			
LHD			
To VIN M45254	C2C1068	1	
From VIN M45255	C2C35178	1	
RHD			
To VIN M45254	C2C1067	1	
VIN M45255 to VIN M99485	C2C5919	1	
From VIN M99486	C2C35177	1	
4. Brake Stoplamp Switch			
To VIN M99485	C2C1074	1	
From VIN 99486	C2C36874	1	
5. Speed Control Switch			
To VIN M99485	XR837626	1	
From VIN 99486	C2S46706	1	
6. Clutch Switch			
LHD	XR88347	1	
RHD	XR85045	1	
7. Screw	XR828093	2	
8. Retainer			
To VIN M45254	XR81948	4	
From VIN M45255	C2C35270	4	
9. Nut	XR81780	4	

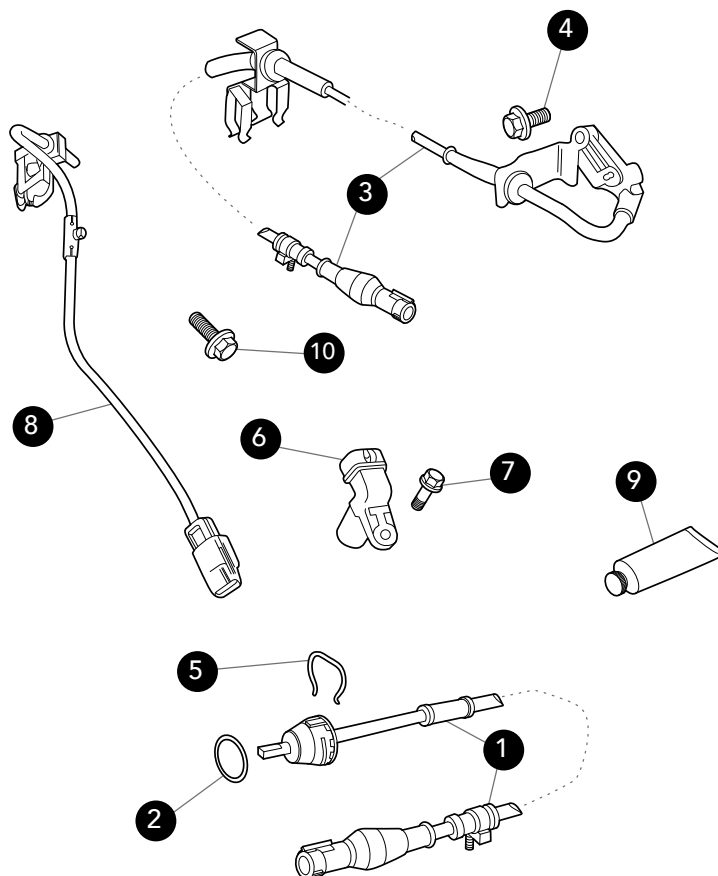


Brake/Clutch Pedal Housing: Manual Adjustable

1. Brake/Clutch Pedal			
LHD			
VIN M45255 to VIN N03235	XR845117	1	
VIN N03236 to VIN N13088	XR853897	1	
From VIN N13089	XR853904	1	
RHD			
VIN M45255 to VIN M81449	XR825813	1	
VIN M81450 to VIN N13088	XR845119	1	
VIN N13089 to VIN N39650	XR851732	1	
From VIN N39651	XR853905	1	
2. Switch Mounting Bracket			
LHD	C2C35178	1	
RHD			
VIN M45255 to VIN M99485	C2C5919	1	
From VIN M99486	C2C35177	1	
3. Brake/Clutch Pedal Pad	XR830132	2	
4. Brake Stoplamp Switch			
VIN M45255 to VIN M99485	C2C1074	1	
From VIN M99486	C2C36874	1	
5. Speed Control Switch			
VIN M45255 to VIN M99485	XR837626	1	
From VIN M99486	C2S46706	1	
6. Clutch Switch			
From VIN M45255			
LHD	XR88347	1	
RHD	XR85045	1	
7. Screw			
From VIN M45255	XR828093	2	
8. Nut			
From VIN M45255	XR81780	4	
9. Plastic Nut			
From M45255	XR832811	1	
10. Brake Pedal Bracket			
LHD	XR847136	1	
RHD	XR847137	1	
11. Retainer	C2C35270	4	

BRAKING

ANTI LOCK BRAKING SYSTEM



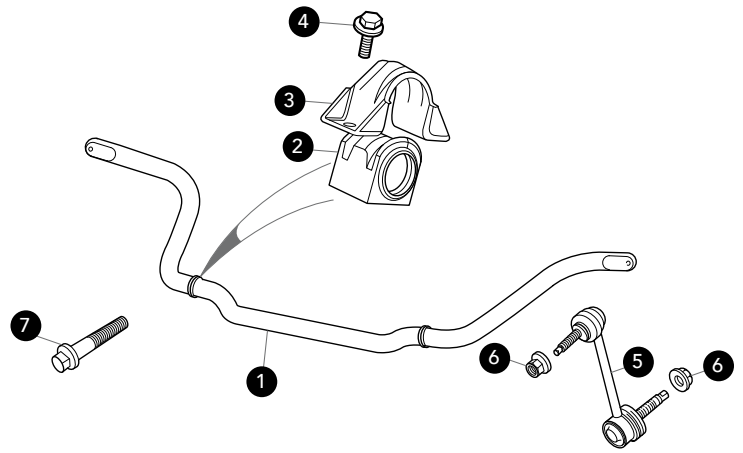
1. Wheel Speed Sensor					
To VIN M45254	C2S43001	2			
From VIN M45255	XR851751	2			
2. Sensor O-Ring					
To VIN M45254	XR85018	2			
Other Option	C2C13788	1			
3. Wheel Speed Sensor					
LH Rear					
To VIN L86901	XR81825	1			
VIN L86902 to VIN M45254	XR853277	1			
RH Rear					
To VIN M45254	XR849760	1			
4. Bolt					
To VIN M45254	AJ89714	4			
5. Sensor Wire Clip					
To VIN M45254	JLM21246	2			
Other Option	C2C13789	1			
6. Wheel Speed Sensor					
Rear					
From VIN M45255	XR822753	2			
7. Bolt					
From VIN M45255	XR89924	2			
8. Link Harness					
LH Rear					
VIN M45255 to VIN N13088	XR843086	1			
VIN N13089 to VIN N78757	XR851987	1			
From VIN N78758	XR856363	1			
RH Rear					
VIN M45255 to VIN N13088	XR843087	1			
From VIN N13089	XR856364	1			
9. Permatex Ultrablue	JLM21208	1			
10. Hexagon head paint clearing screw	XR81544	1			

STEERING & SUSPENSION

ANTI-ROLL BARS

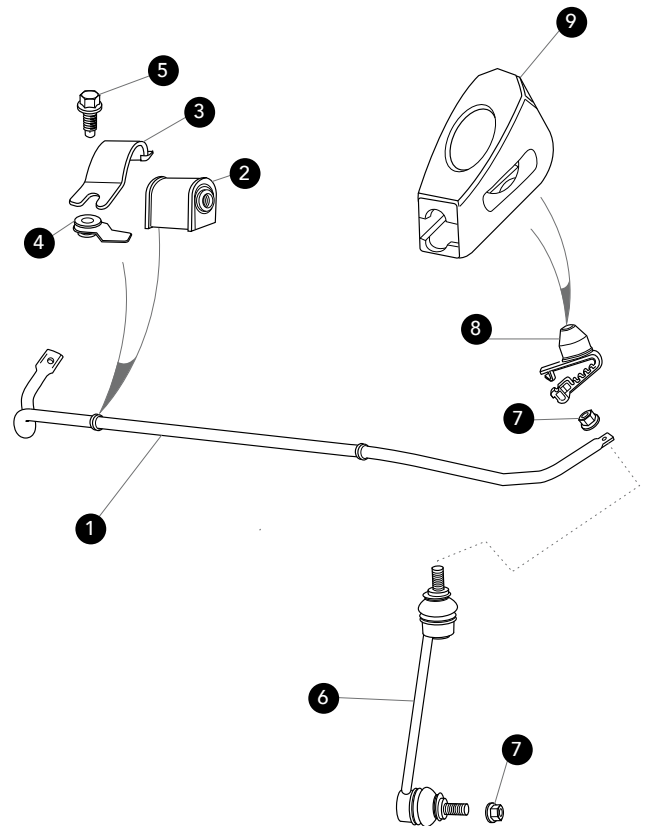
Front Anti-Roll Bar

1. Front anti-roll bar			
To VIN M45254	XR82657	1	
VIN M45255 to VIN M64888			
Supercharged	XR837160	1	
Naturally aspirated	C2P23535	1	
From VIN M64889			
4.2 Supercharged	XR837160	1	
2.7 Turbo diesel	XR837160	1	
2. Insulator	XR819697	2	
3. Anti-roll bar bracket	C2D11879	2	
4. Flange headed bolt	XR853292	4	
5. Front anti-roll bar link			
To VIN M45254	XR855185	2	
From VIN M45255	C2D24220	2	
6. Flanged nut M10	XR848057	4	
7. Bolt M10 x 75mm	C2P7190	2	



Rear Anti Roll Bar

1. Rear anti-roll bar			
To VIN M45254	XR81765	1	
From VIN M45255	Contact Sales		
2. Insulator	Contact Sales		
3. Rear anti-roll bar bracket	XR81837	2	
4. Special nut M10	XR848057	2	
5. Flange headed bolt	XR853292	2	
6. Anti-roll bar link			
LH rear	C2C18572	1	
RH rear	C2C18571	1	
7. Flanged nut	XR848057	4	
8. Cable clip			
To VIN M45254			
LH	C2C2127	1	
RH	C2C2126	1	
VIN M45255 to VIN M59615 (not 4.2 Supercharged)			
LH & RH	C2C8463	2	
From VIN M59616 (not 4.2 Supercharged)			
LH & RH	C2C12162	2	
9. Parking brake deflector (not 4.2 Supercharged)	C2D20594	2	

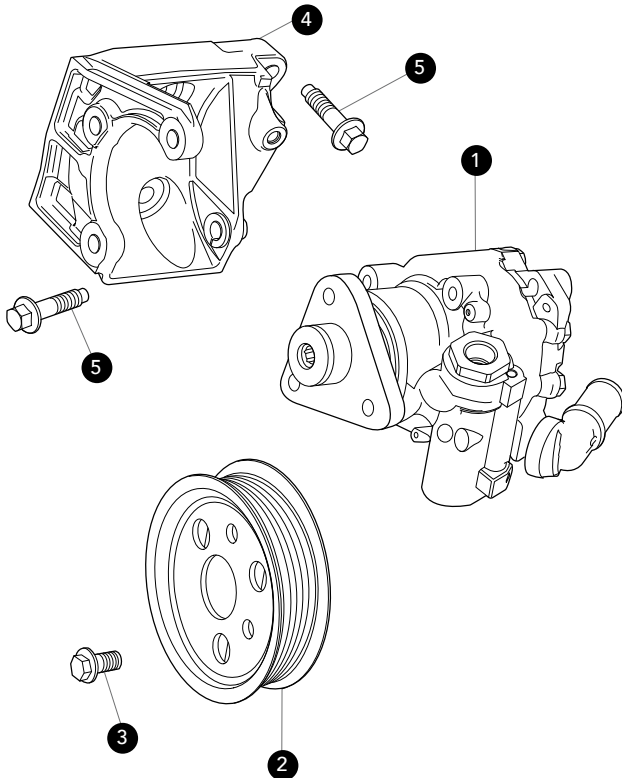
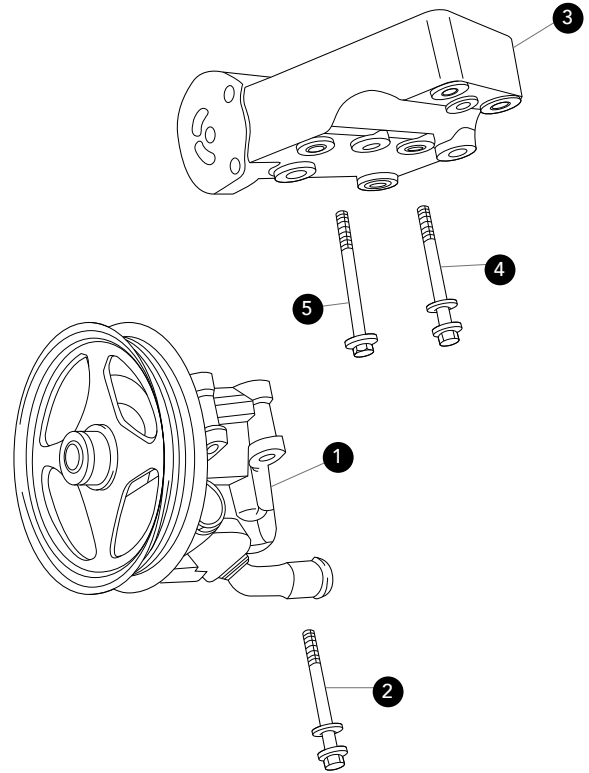


STEERING & SUSPENSION

POWER STEERING PUMP

Power Steering Pump: Petrol

1. Power steering pump			
2.5 Litre petrol	C2C35302	1	
3.0 Litre petrol			
To VIN L86901	XR814993	1	
From VIN L86902	C2C35302	1	
4.0 Litre petrol			
To VIN L86901	XR814952	1	
From VIN L86902	XR856277	1	
4.2 Litre	XR855717	1	
2. Bolt			
	Contact Sales		
3. Pump mounting bracket			
To VIN N10614	AJ81228	1	
From VIN N10615	C2C22786	1	
4. Bolt & washer			
	Contact sales		
5. Bolt			
	Contact sales		



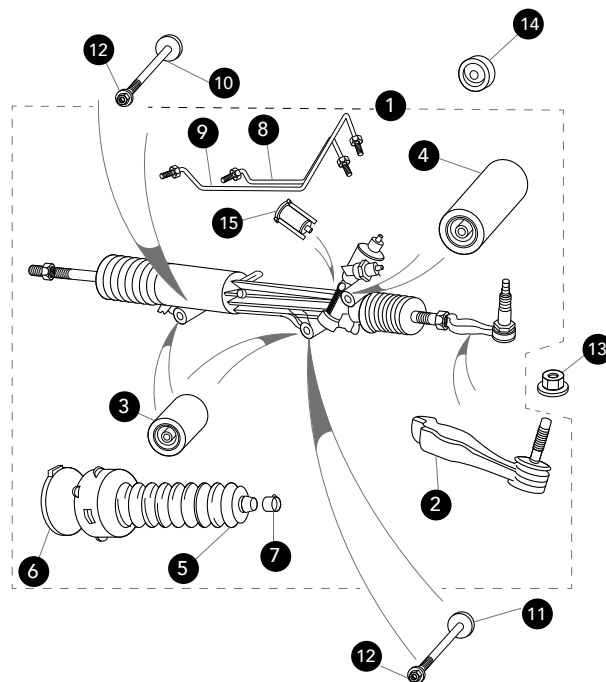
Power Steering Pump: Diesel

1. Power steering pump			
To VIN N52047	JDE3122	1	
From VIN N52048	C2C36768	1	
2. Pulley			
	C2C22113	1	
3. Hex flanged screw M8 x 12mm			
	C2S45769	3	
4. Pump bracket			
	JDE4860	1	
5. Hex flanged screw M8 x 30mm			
	C2C5679	5	

STEERING & SUSPENSION

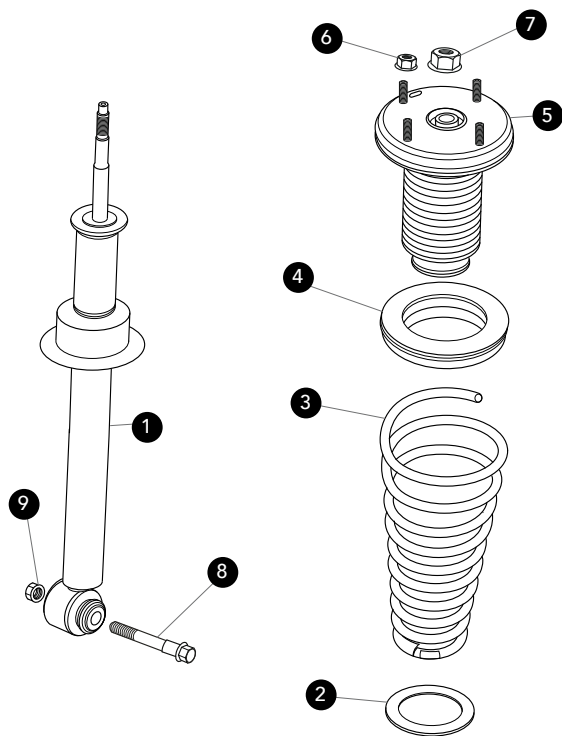
STEERING RACK

1. Steering rack	Contact sales				
2. Ball joint					
LH to VIN M45254	XR81771	1			
RH to VIN M45254	XR81770	1			
LH from VIN M45255	C2C35783	1			
RH from VIN M45255	C2C20176	1			
3. Steering rack Insulator, lower					
To VIN L86901	XR81744	2			
VIN L86902 to VIN M45255	XR814965	2			
From VIN M45255	XR83779	2			
4. Steering rack Insulator, upper					
To VIN L86901	XR81745	1			
VIN L86902 to VIN M45255	XR830014	1			
From VIN M45255	XR837780	1			
5. Gaiter					
Driver's side to VIN L86901	XR87398	1			
Driver's side from VIN L86902	XR830016	1			
Gaiter, Passenger side					
Passenger side to VIN L86901	XR814991	1			
Passenger side from VIN L86902	XR830015	1			
6. Steering rack clamp					
Passenger side inner	XR86545	1			
Driver's side inner	XR86512	1			
7. Steering rack clamp, outer	XR87393	2			
8. Transfer pipe, short					
LHD	XR830012	1			
RHD	XR830011	1			
9. Transfer pipe, long					
LHD	XR830010	1			
RHD	XR830013	1			
10. Mounting bolt, Upper					
To VIN L86901	XR822913	1			
VIN L86902 to VIN M45254	XR82679	1			
From VIN M45255	C2P7272	1			
11. Mounting bolt, lower					
To VIN L86901	XR82680	2			
VIN L86902 to VIN M45254	XR822913	2			
From VIN M45255	C2D33749	2			
To VIN L86901	XR83575	1			
From VIN L86902	XR830017	1			
12. Flanged nut on mounting bolt	C2Z2224	2			
13. Flanged nut on ball joint	C2Z2224	2			
14. Mounting spacer, upper					
VIN 45255 to VIN M79239	XR835946	1			
Mounting spacer, lower					
VIN 45255 to VIN M79239	XR835945	2			
15. Transducer					
To VIN L86901	XR83575	1			
From VIN L86902	XR830017	1			



STEERING & SUSPENSION

ROAD SPRINGS & DAMPERS

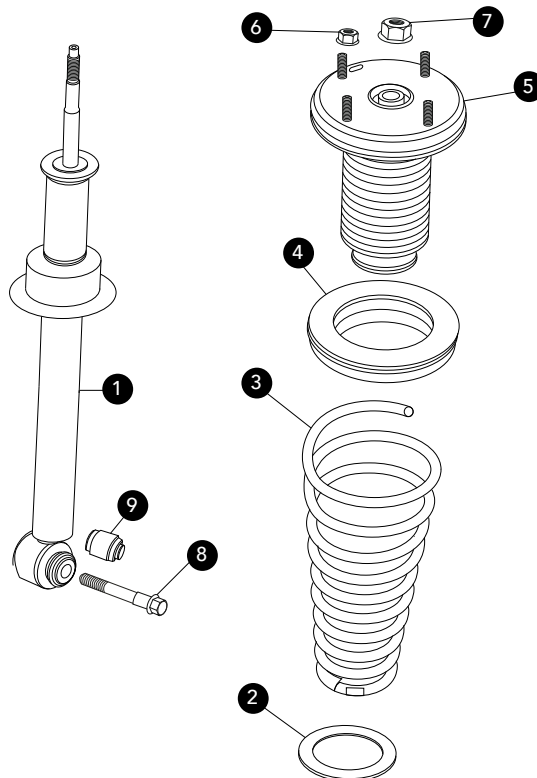


Road Spring & Damper: Front

1. Shock absorber, front	Contact sales	
2. Spring packer	MJA2162AA	2
3. Road spring	Contact sales	
4. Spring isolator	C2Z15891	2
5. Spring/damper mounting	XR858419	2
6. Flanged nut M8	C2P7191	
7. Nut M12		
Adaptive damping	XR826831	2
Standard	XR855815	
8. Lower damper bolt M14		
To VIN M45254	C2D8255	2
From VIN M45255	C2P5886	2
9. Nut M14	XR53283	2
10. Damper gaiter	C2P3211	2

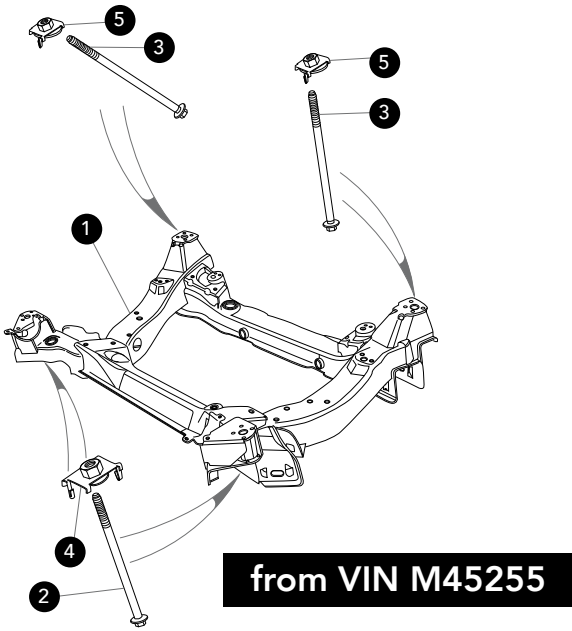
Road Spring & Damper: Rear

1. Shock absorber, rear	Contact Sales	
2. Spring packer	MJA2162AA	2
3. Road spring	Contact Sales	
4. Spring isolator	C2Z15891	2
5. Spring/damper mounting, upper	XR858419	2
Damper gaiter	C2P3211	2
6. Flanged nut M8	C2P7191	8
7. Flanged nut M12		
Adaptive control damping	XR826831	2
Standard	XR855815	2
8. Bolt M14	C2P7192	2
9. Damper bush	C2D4013	2



STEERING & SUSPENSION

CROSSBEAM



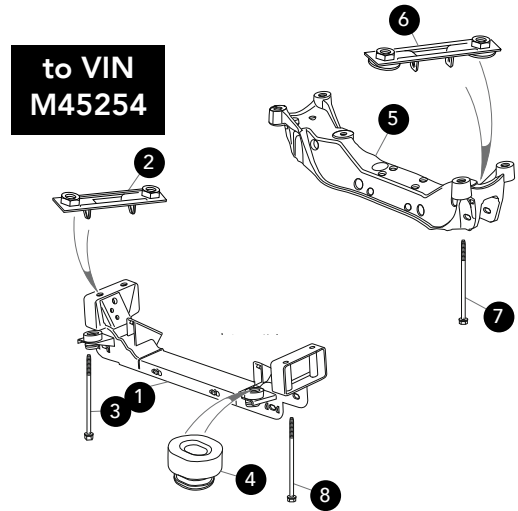
from VIN M45255

Crossbeam: From VIN M45255

1. Crossbeam, front	C2Z19751	1
2. Bolt & washer	XR856936	2
3. Bolt & washer	XR813517	2
4. Nut M14	XR857196	2
5. Nut M12	XR857197	2

Crossbeam: To VIN M45254

1. Crossbeam, front	XR831984	1
2. Crossbeam nut retainer	XR812840	2
3. Bolt & washer	XR813517	4
4. Insulator	XR85023	3
5. Crossmember	XR819167	1
6. Nut retainer	XR813346	2
7. Bolt & washer	XR813518	4
8. Bolt & washer M12	XR813517	4

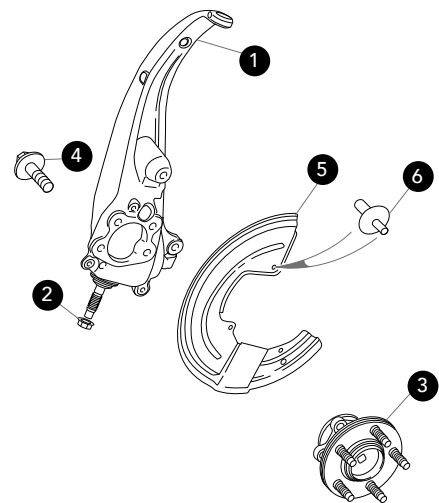


to VIN
M45254

STEERING & SUSPENSION

HUB & VERTICAL LINK

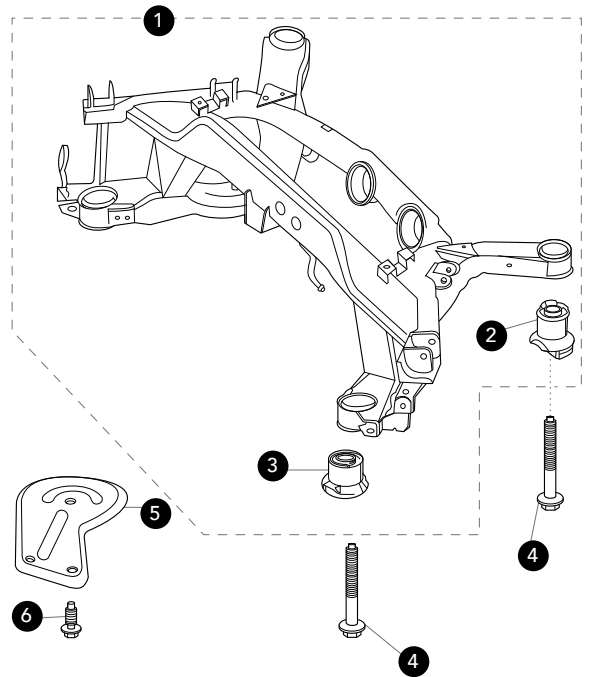
1. Vertical link, front	Contact Sales	
2. Ball joint nut M14	XR853342	2
3. Hub bearing	XR848149	2
4. Bolt M12		
To VIN M45254	C2S45988	8
From VIN M45255	C2P7441	8
5. Disc shield	Contact Sales	
6. Blind rivet	XR817594	



STEERING & SUSPENSION

REAR FRAME CARRIER

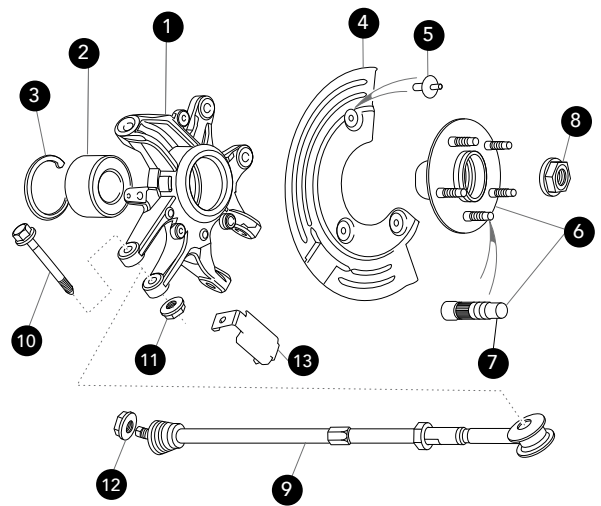
1. Rear frame			
To VIN M45254	XR831985	1	
VIN M45255 to VIN N70948	XR852044	1	
VIN N70949 to VIN N80091	XR855872	1	
From VIN N80092	XR856430	1	
2. Rear frame mounting bush	XR818141	2	
3. Front frame mounting bush			
To VIN M45254	XR818140	2	
From VIN M45255	C2C25611	2	
4. Bolt & washer			
To VIN M45254	XR813546	4	
From VIN M45255	C2Z2226	4	
5. Mounting pad			
LH rear	XR825807	1	
RH rear	XR837915	1	
6. Flange headed bolt			
M10 x 20mm	XR853292	4	



STEERING & SUSPENSION

REAR HUB & CARRIER

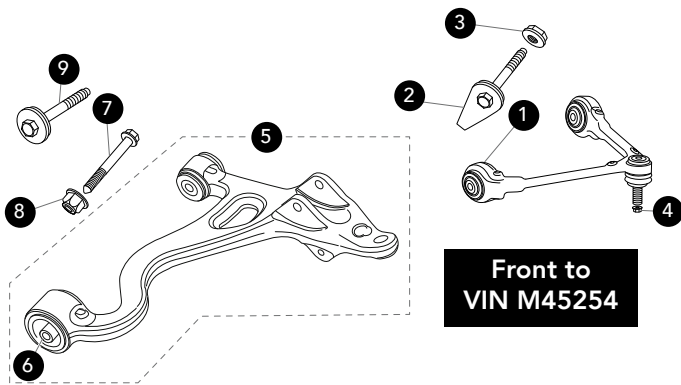
1. Hub carrier, rear	Contact sales		
2. Wheel bearing, rear	XR81723	2	
3. Bearing retaining clip	C2C6632	4	
4. Disc shield			
LH rear			
To VIN M45254	XR82136	1	
From VIN M45255	XR82136	1	
(naturally aspirated)			
RH rear			
To VIN M45254	XR82135	1	
From VIN M45255	XR82135	1	
(naturally aspirated)			
5. Blind rivet	XR817594	6	
6. Rear wheel hub	C2C28417	2	
8. Rear hub nut	C2P12731	2	
9. Stabilising link			
To VIN M45254	XR825750	2	
From VIN M45255	C2D5993	3	
10. Flange headed bolt M10			
To VIN N52047	XR81945	2	
From VIN N52048	XR853290	2	



11. Nut M10	XR848057	2
12. Flanged nut		
To VIN L06640	XR81847	2
From VIN L06641	C2P7444	2
13. Hub carrier shield		
4.2 Supercharged, LH & RH	C2C10113	2

STEERING & SUSPENSION

WISHBONES

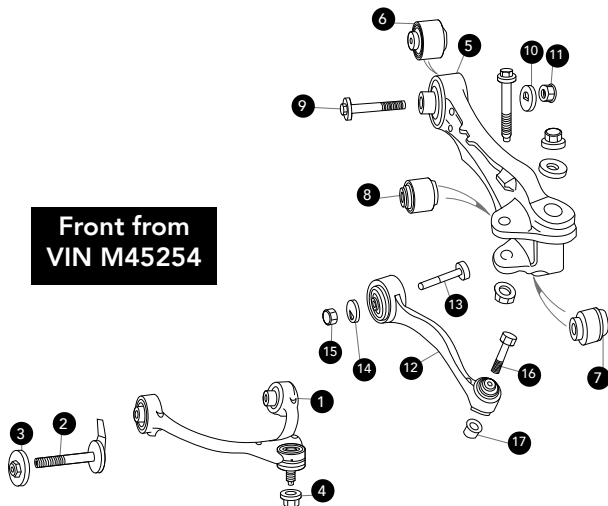


Front Wishbone Assembly: To VIN M45254

1. Front wishbone arm, LH upper	XR856013	1
Front wishbone arm, RH upper	XR856012	1
2. Special bolt	C2Z3377	4
3. Nut & washer M10	XR812428	4
4. Flanged nut M12	C2S42348	2
5. Front wishbone arm, LH lower	XR851825	1
Front wishbone arm, RH lower	XR851824	1
6. Wishbone bush, front lower	JLM21535	2
7. Flange headed bolt M14	XR81739	2
8. Nut M14	XR853283	4
9. Special bolt M14	XR815824	2

5. Front wishbone arm, LH lower	C2P24862	1
Front wishbone arm, RH lower	C2P24861	1
6. Wishbone bush	C2C4437	2
7. Wishbone bush	C2C4438	2
8. Damper bush, lower	C2C36866	2
9. Special bolt, M14	C2P7438	2
10. Cam	C2C23854	2
11. Nut	C2P7440	2
12. Wishbone arm	C2C39683	2
13. Special bolt, M14	C2P7437	2
14. Cam	C2C23854	2
15. Nut	C2P7440	2
16. Bolt M12	C2D23103	2
17. Flanged nut M12	C2S42348	2
18. Lower wishbone bush	C2C39683BU#	2

Front from
VIN M45254

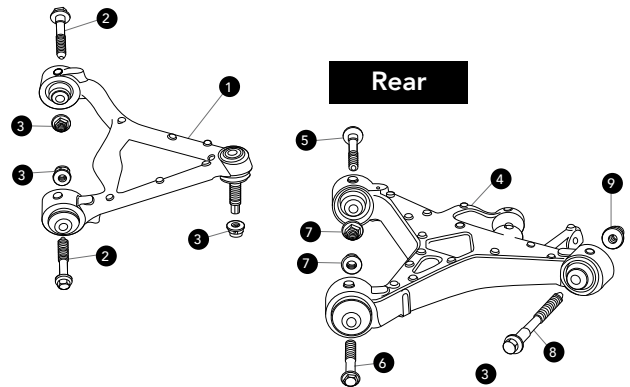


Front Wishbone Assembly: From VIN M45255

1. Front wishbone arm, LH upper	XR857653	1
Front wishbone arm, RH upper	XR857652	1
2. Bolt & washer M10 x 75mm	C2Z3377	4
3. Nut & washer M10	XR812428	4
4. Flanged nut M12	C2S42348	4

Rear Wishbone Assembly

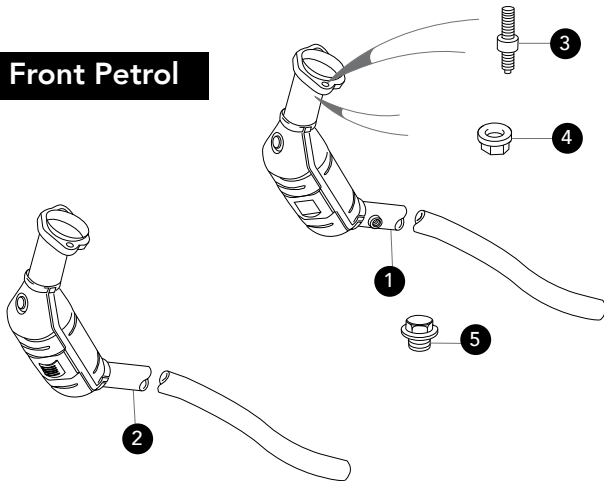
1. Rear wishbone arm, LH upper	C2P13877	1
Rear wishbone arm, RH upper	C2P13876	1
2. Flange headed bolt	C2P22187	4
3. Flanged nut M12	C2S42348	6
4. Rear wishbone arm, LH lower		
To VIN M45254	XR88760	1
From VIN M45255	C2P16879	1
Rear wishbone arm, RH lower		
To VIN M45254	XR88759	1
From VIN M45255	C2P16878	1
5. Bolt M14	C2P5676	2
6. Flange headed bolt M14	C2P7446	2
7. Nut M14	C2P7324	4
8. Flange headed nut	XR853289	2
9. Nut & washer M14	XR853342	2
10. Lower rear wishbone bush	XR88759BU	2



EXHAUST COMPONENTS

EXHAUST SYSTEM - FRONT PIPES

Front Petrol



Exhaust Pipe Front Petrol

1. Exhaust Downpipe

RH

2.5 Petrol - Catalyst

VIN M45255 to VIN M62935	XR818801	1
VIN M62936 to VIN M91742	XR858403	1
VIN M91743 to VIN N36377	XR844395	1
From VIN N36378	XR858406	1

For USA/CAN/MEX/JAPAN

Contact Sales

3.0 - Catalyst

To VIN L86901	XR81125	1
VIN L86902 to VIN M45254	XR818022	1
VIN M45255 to VIN M62935	XR818801	1
VIN M62936 to VIN N36377	XR844395	1
VIN N36378 to VIN N5204	XR858406	1
From VIN N52048	C2Z22929	1

For USA/CAN/MEX/JAPAN

Contact Sales

3.0 - Non Catalyst

To VIN L86901	XR81659	1
VIN L86902 to M45254	XR818358	1

4.0 - Catalyst

To VIN L86901	XR81126	1
VIN L86902 to M45254	XR818023	1
For USA/CAN/MEX/JAPAN	Contact Sales	

4.0 - Non Catalyst

To VIN L86901	XR81660	1
VIN L86902 to VIN M45254	XR818027	1

4.2 Litre - Catalyst

VIN M45255 to VIN N52047	XR858404	1
From VIN N52048	XR858408	1

4.2 Supercharged - Catalyst

VIN M45255 to VIN N52047	XR845110	1
From VIN N52048	XR858408	1

2. Exhaust Downpipe

LH

2.5 Petrol - Catalyst

VIN M45255 to VIN M62935	XR818806	1
VIN M62935 to VIN N36377	XR858410	1
From VIN N36378	XR851389	1
For USA/CAN/MEX/JAPAN	Contact Sales	

3.0 - Catalyst

To VIN L86901	XR81127	1
VIN L86902 to VIN M45254	XR818024	1
VIN M45255 to VIN M62935	XR818806	1
VIN M62936 to VIN N36377	XR858410	1
VIN N36378 to VIN N52047	XR851389	1
From VIN N52048	XR845977	1
For USA/CAN/MEX/JAPAN	Contact Sales	

3.0 - Non Catalyst

To VIN L86901	XR82834	1
VIN L86902 to VIN M45254	XR818026	1

4.0 - Catalyst

To VIN L86901	XR81128	1
VIN L86902 to VIN M45254	XR818025	1
For USA/CAN/MEX/JAPAN	Contact Sales	

4.0 - Non Catalyst

To VIN L86901	XR810498	1
VIN L86902 to VIN M45254	XR818354	1

4.2 Litre - Catalyst

VIN M45255 to VIN N52047	XR845111	1
From VIN N52048	XR845979	1

4.2 Supercharged - Catalyst

VIN M45255 to VIN N52047	XR845112	1
From VIN N52048	XR845979	1

3. Manifold Stud

XR836503 4

4. Nut

XR82889 4

5. Blanking Plug

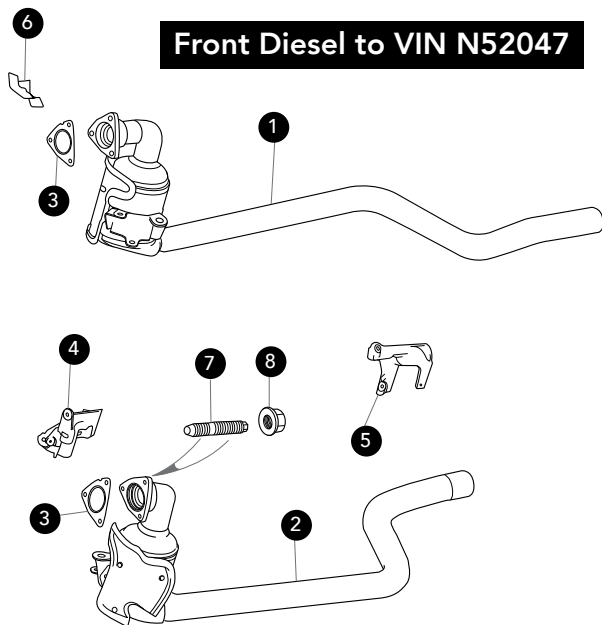
To VIN M45254 XR813494 4

EXHAUST COMPONENTS

EXHAUST SYSTEM - FRONT PIPES

Exhaust Pipe Front: Diesel To VIN N52047

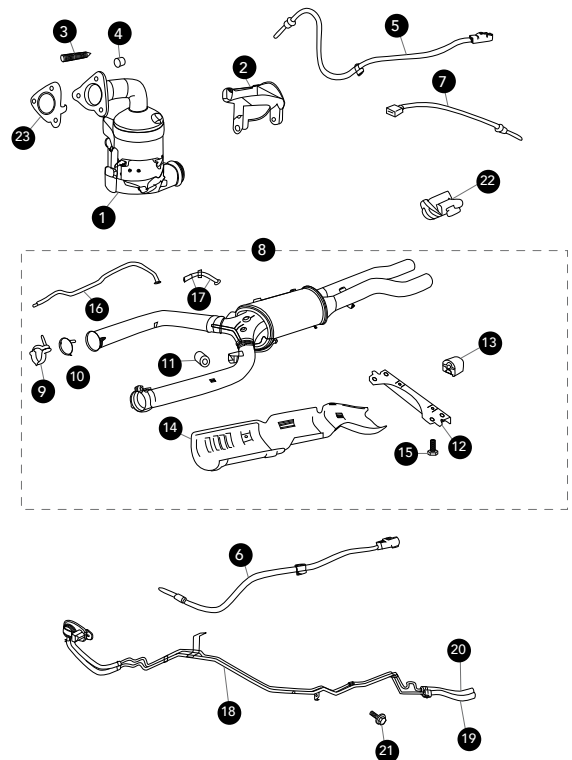
1. Downpipe & Catalyst, RH	XR851852	1
2. Downpipe and Catalyst, LH	XR851853	1
3. Gasket	XR851855	2
4. Exhaust Mounting Bracket, LH	XR849528	1
5. Exhaust Mounting Bracket, RH	XR849524	1
6. Heatshield	C2C22794	1
7. Stud	XR857657	6
8. Flanged Nut	C2C38026	6



Exhaust Pipe Front Diesel From N52048

1. Exhaust Downpipe		
LH	C2Z9405	1
RH	C2Z9181	1
2. Exhaust Mounting Bracket		
LH	XR849528	1
RH	XR849524	1
3. Stud	AJ88495	6
4. Nut	C2C38026	6
5. Exhaust Gas Temperature Sensor, Upper	C2C36030	2
6. Exhaust Gas Temperature Sensor, Lower	C2C36031	2
7. Exhaust Gas Temperature Sensor, Centre Pipe	C2C36032	1

8. Front Pipe and Particulate filter		
Exchange	XR856857E	1
9. Exhaust Clamp	XR852828	2
10. Plug Gasket	XR852833	2
11. Damper	XR854750	1
12. Mounting Bracket	C2Z12397	1
13. Exhaust Mounting Rubber	C2P13213	2
14. Grass Shield	C2Z11770	1
15. Bolt	C2C32665	4
16. Pressure Sensor Pipe	XR852836	1
17. Pressure Sensor Pipe	XR852835	1
18. Exhaust Sensor Pipe		
Automatic - includes sensor	XR855752	1
Manual - includes sensor	XR855751	1
19. Hose, HP DPF Sensor	XR855038	1
20. Hose, LP DPF Sensor	XR855039	1
21. Bolt	JDE2798	1
22. Edge Clip	XR848062	2
23. Gasket	XR851855	2
24. Pressure Sensor	C2C39730	1

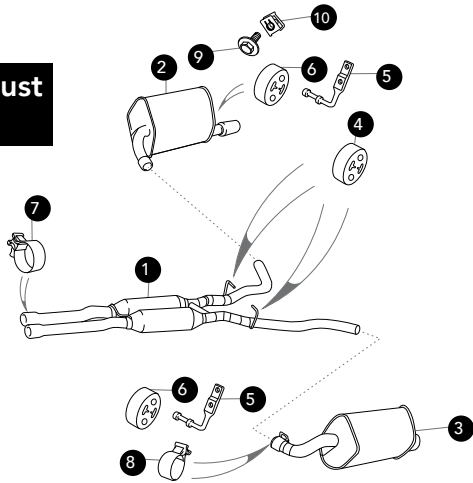


Front Diesel from VIN N52048

EXHAUST COMPONENTS

EXHAUST SYSTEM - REAR PIPES

Rear Exhaust System



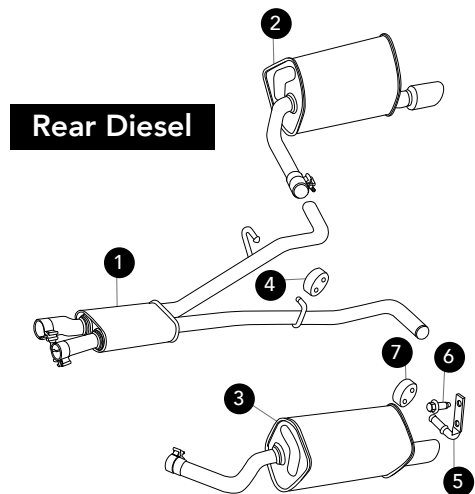
Exhaust Pipe - Rear

1. Intermediate Exhaust Silencer			
2.5 Petrol from VIN M45255	XR834363	1	
2.7 Turbo Diesel			
VIN N13089 to VIN N52047	XR855916	1	
3.0 Petrol from VIN M45255	XR834363	1	
4.0 Petrol to VIN M45254	XR823678	1	
4.2 Petrol from VIN M45255	XR834363	1	
4.2 Supercharged from VIN M45255	XR818794	1	
2. Exhaust Silencer, RH Rear			
2.5 Petrol			
VIN M45255 to VIN N13089	XR849448	1	
2.7 Turbo Diesel To VIN N52047	XR850008	1	
3.0 Petrol to VIN N13089	XR89448	1	
4.0 Petrol to VIN M45254	XR823680	1	
4.2 Petrol from VIN M45255	XR849449	1	
4.2 Supercharged from VIN M45255	XR849450	1	
3. Exhaust Silencer, LH Rear			
2.5 Petrol VIN M45255 to VIN N13089	XR849451	1	
2.7 Turbo Diesel to VIN N52047	XR850009	1	
3.0 Petrol			
To VIN M45254	XR823681	1	
VIN M45255 to VIN N13089	XR849451	1	
4.0 Petrol to VIN M45254	XR823682	1	
4.2 Petrol from VIN M45255	XR849452	1	
4.2 Supercharged from VIN M45255	XR849453	1	
4. Mounting Rubber	XR89284	2	
5. Exhaust Mounting Bracket			
LH Rear			
To Vin N13088	XR82881	1	
From VIN N13089	XR849455	1	

RH Rear			
To Vin N13088	XR82880	1	
From VIN N13089	XR849454	1	
6. Rear Mounting Rubber			
2.5 Petrol from VIN M45255	XR813826	2	
3.0 Petrol - all Models	XR813826	2	
4.0 Petrol to VIN M45254	XR89803	2	
4.2 Petrol from VIN M45255	XR89803	2	
4.2 Supercharged from VIN M45255	XR89803	2	
7. Clamp			
Downpipe to Intermediate Pipe			
To VIN M45254	XR89283	2	
From VIN M45255	XR825281	2	
8. Clamp			
To VIN M45254	XR89558	2	
From VIN M45255			
Except 4.2 Supercharged	XR825282	2	
4.2 Supercharged	XR825283	2	
9. Hexagon Flange Screw	C2Z2335	4	
10. U-Type Spring Nut	XR855438	4	

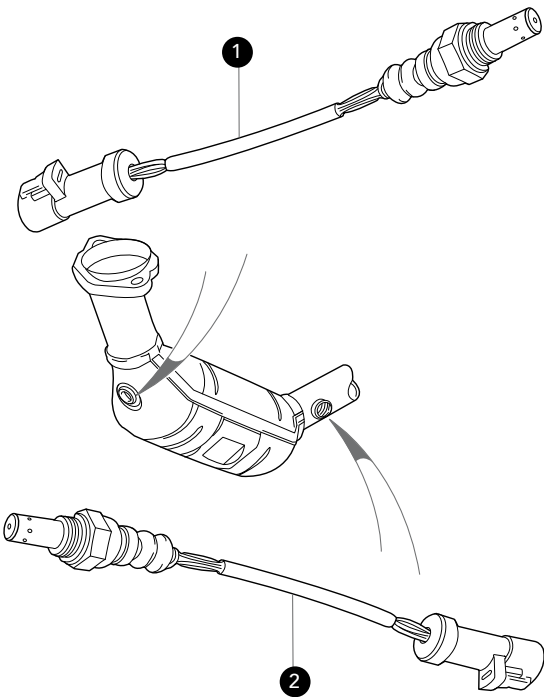
Exhaust Pipe - Rear Diesel From N52048

1. Intermediate Exhaust Silencer	XR855873	1
2. Exhaust Silencer, RH	XR845968	1
3. Exhaust Silencer, LH	XR845969	1
4. Mounting Rubber	XR813826	2
5. Exhaust Mounting Bracket		
LH Rear	XR849455	1
RH Rear	XR849454	1
6. Hexagon flange screw	C2Z2335	4
7. Mounting Rubber	XR813826	2



EXHAUST COMPONENTS

HEATED OXYGEN SENSOR



1. Heated Oxygen Sensor, Upper		
To VIN M45254	XR86938	2
VIN M45255 to VIN N52047	C2C29250	2
From N52048	C2P8810	2
2. Heated Oxygen Sensor, Lower		
To VIN M45254		
3.0 Litre Petrol		
Black Wire Shroud - 330mm	XR822998	2
Black Wire Shroud - 300mm	XR82007	2
White Wire Shroud - 425mm	XR81557	2
4.0 Litre Petrol		
White Wire Surround - 425mm	XR81557	2
M45255 to N52047	C2C5956	2
From VIN N52048		
Except 2.7 Litre Turbo Diesel	C2C22679	1
3. Cable Clip	C2S1140	A/R

EXHAUST COMPONENTS

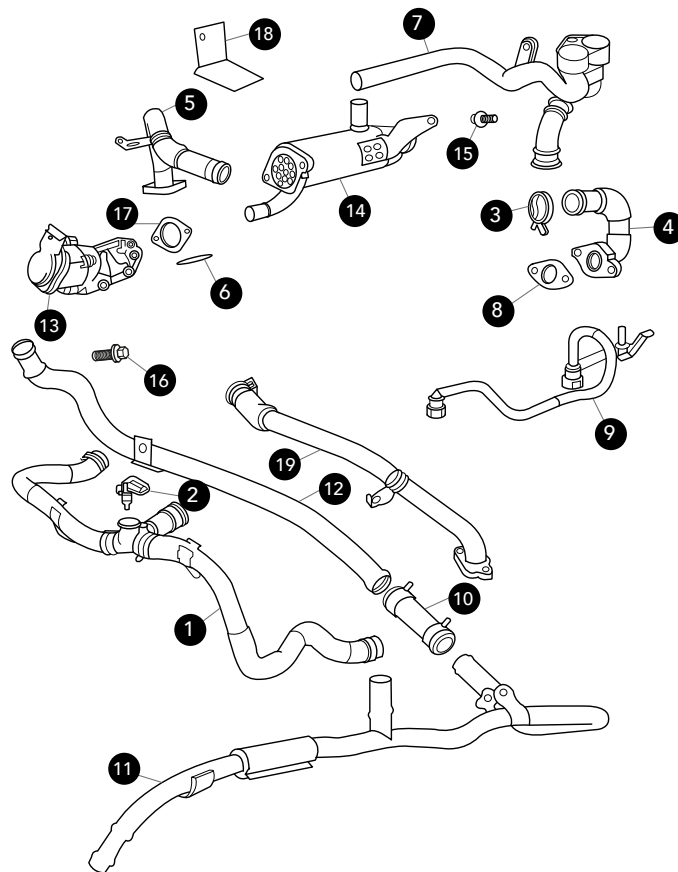
QUICKSILVER EXHAUST SYSTEM

1. Sports Rear Section			
1998 - 2004 3.0/4.0/4.2	QSSJR049S	1	
2. Sports Rear Section			
2004-2008 4.0/4.2	QSSJR049S/1	1	
3. Sports Rear Section			
2003 onwards S-Type R	QSSJR051S	1	
4. Sports Rear Section			
2.7 Diesel S-Type	QSSJR152S	1	



EXHAUST COMPONENTS

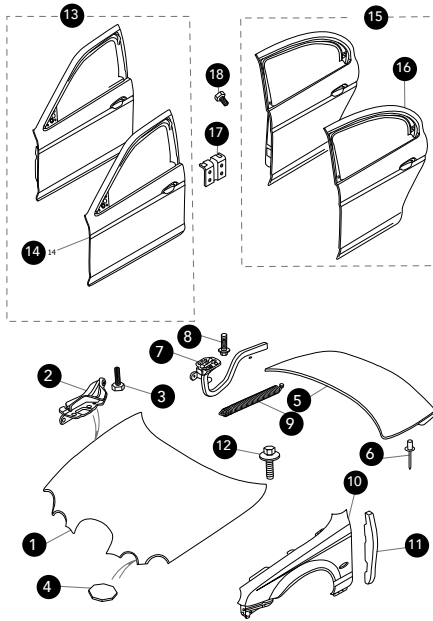
EGR VALVE



Exhaust Gas Recirculation Valve -Diesel

1. Inlet Hose	JDE10841	1	11. Tube, EGR Outlet	XR849101	1
2. Coolant Temperature Sensor	JDE1634	1	12. Tube, EGR Coolant Outlet	XR849103	1
3. Clamp	JDE3754	1	13. Exhaust Gas Recirculation Valve		
4. Tube			LH	C2C40183	1
LH	C2C37870	1	RH	C2C40184	1
RH	C2C37825	1	14. Exhaust Gas Recirculation Cooler		
5. Tube, LH	C2S47831	1	LH	JDE10860	1
6. Gasket	JDE3338	1	RH	JDE10861	1
7. Vent Tube	XR845486	1	15. Hexagonal head flanged bolt	JD61700	2
8. Exhaust Gas Recirculation pipe gasket	JDE3756	1	16. Bolt	C2C24976	6
9. Low Pressure to Cooler Tube	JDE3945	1	17. Gasket	JDE3312	1
10. Water Hose	XR849105	1	18. Heatshield	JDE2874	1
			19. Tube, RH, EGR Outlet	C2S47832	1

For V6 & V8 EGR components please contact sales



Bonnet, Wing, Door and Trunk/Boot Lid Panel

1. Bonnet Panel

To VIN M45254	XR826795	1
Except Bonnet Leaper		
M45255 to N13088	XR846659	1
Bonnet Leaper		
M45255 to N13088	XR816825	1
From N13089		
Bonnet Leaper	XR833821	1
Except Bonnet Leaper	XR833820	1

2. Bonnet Hinge

LH		
To VIN N06252	XR86028	1
VIN N06253 to VIN N13088	XR847365	1
From VIN N13089	XR843313	1
RH		
To VIN N13088	XR86027	1
From VIN N13089	XR843312	1

3. Screw

	C2P2766	8
--	---------	---

4. Self Adhesive Pad

	XR86828	2
--	---------	---

5. Boot/Trunk Lid Panel

To VIN N13088		
Without Spoiler	XR826933	1
With Spoiler	XR828678	1

From VIN N13089

Without Spoiler	XR854128	1
With Spoiler	XR854127	1
6. Special Rivet	XR813493	2
7. Boot/Trunk Lid Hinge		
LH	XR819328	1
RH	XR819327	1
8. Sems Screw		
Hinge to Lid	XR86107	4
9. Coil Spring		
Boot/Trunk Lid	XR845405	2
10. Wing/Fender Panel		
LH Front	XR826897	1
RH Front	XR826896	1
11. Insulation		
Apron to wing/fender	XR849159	2
12. Screw/washer		
Wing/Fender to body	C2P4787	14
13. Door Panel		
LH Front	XR845424	1
RH Front	XR845423	1
14. Door Skin Panel		
LH Front	XR843185	1
RH Front	XR843184	1
15. Door Panel		
LH Rear	XR828669	1
RH Rear	XR828668	1
16. Door Skin Panel		
LH Rear	XR843187	1
RH Rear	XR843186	1
17. Armrest Mounting Bracket		
Rear door	XR830446	1
18. Self tapping screw/washer		
tie down bracket fixing	XR856613	2
19. Threaded Insert (not shown)		
Number plate fixing	KZR100013	2

BODY

WHEELARCH LINERS

Wheelarch Liners: Front & Rear

1. Front Wheelarch Liner

LH			
To VIN M45254	XR826374	1	
VIN M45255 to VIN N13088	XR819944	1	
From VIN N13089	XR837523	1	

RH

To VIN N13088	XR819942	1	
From VIN N13089	XR837522	1	

2. Rear Wheelarch Liner

LH

To VIN M45254	XR818377	1	
VIN M45255 to VIN N13088	XR842128	1	
From VIN N13089	XR837525	1	

RH

To VIN M45254	XR818376	1	
VIN M45255 to VIN N13088	XR842127	1	
From VIN N13089	XR837524	1	

3. Mounting Bracket

LH Rear

To VIN M45254	XR82201	1	
---------------	---------	---	--

RH Rear

To VIN M45254	XR82200	1	
---------------	---------	---	--

4. Bolt	XR82059	A/R	
---------	---------	-----	--

5. Plastic Nut

From VIN N13089	XR87606	4	
-----------------	---------	---	--

6. Hexagon Flange Screw	XR830876	4	
-------------------------	----------	---	--

7. Caged Nut	XR87607	4	
--------------	---------	---	--

8. Spring Nut	XR848059	4	
---------------	----------	---	--

9. Bolt	XR82059	4	
---------	---------	---	--

10. Nut	XR837555	1	
---------	----------	---	--

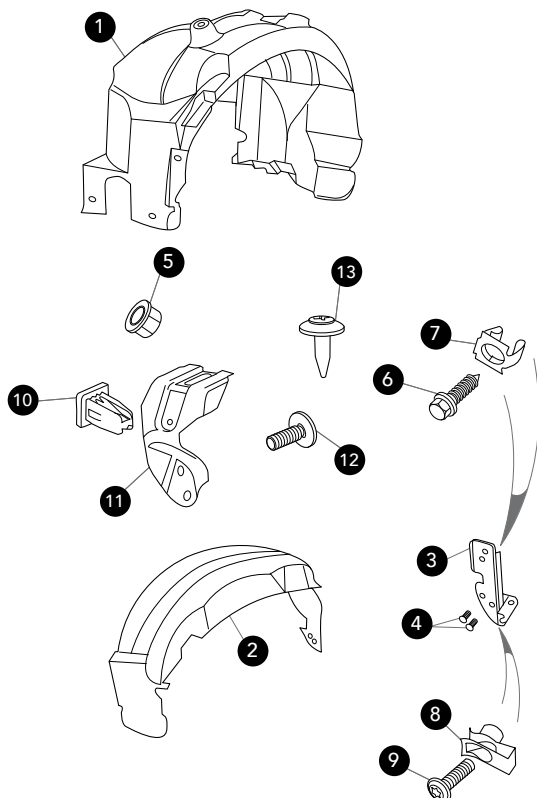
11. Bumper Mounting Bracket

To VIN N13088	XR827816	2	
---------------	----------	---	--

From VIN N13089	XR843145	1	
-----------------	----------	---	--

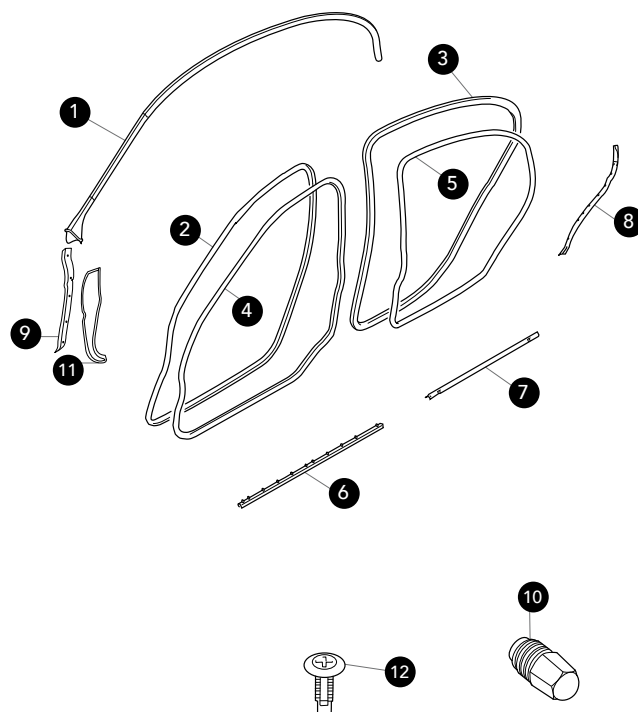
12. Wheelarch Liner Fixing Bolt	C2S45016	16	
---------------------------------	----------	----	--

13. Wheelarch Liner to Blind Rivet	C2S9354	4	
------------------------------------	---------	---	--



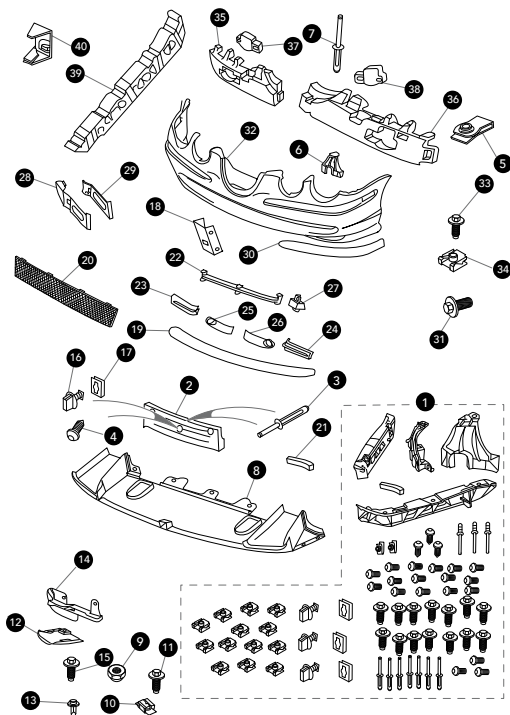


1. Roof Rail Seal		
LH	XR818900	1
RH	XR818899	1
2. Front Door Aperture Seal	XR853720	2
3. Rear Door Aperture Seal	XR853721	2
4. Primary Front Door Seal		
LH	XR845064	1
RH	XR845063	1
5. Primary Rear Door Seal		
LH	XR845066	1
RH	XR845065	1
6. Front Lower Door Seal	XR835585	2
7. Rear Lower Door Seal	XR835586	2
8. Rear Door Seal		
LH	XR825476	1
RH	XR825475	1
9. Front Door Seal		
LH	XR82530	1
RH	XR82531	1
10. Door Buffer	XR86076	4
11. Front Door Trim Cover		
LH	XR832222	1
RH	XR832221	1
12. Roof Rail Blanking Plug	XR82549	8



BODY FRONT BUMPERS

Front to VIN N13088



Bumper - Front to VIN N13088

1. Bumper Fixing Kit	JLM21155	1
2. Number Plate Plinth		
Rectangular Plate		
VIN L00001 to VIN M45254	XR82148	1
VIN M45255 to VIN N13088	XR835753	1
Square Plate	XR82147	1
3. Pop Rivet: Plinth to Bumper	XR813185	3
4. Self tapping screw	XR88674	2
5. Spring Nut	C2C26895	4
6. Headlamp Mounting bracket		
RH	XR82145	1
LH	XR82146	1
7. Rivet	XR87654	18
8. Valance Panel		
4.2 Supercharged	XR827703	1
Except 4.2 Supercharged	XR825035	1
10. Push Nut	XR857744	3
11. Bolt, Undertray to bumper	XR82059	11
12. Brake Cooling duct		
Except 4.2 Supercharged		
VIN M45255 to VIN N13088		
LH	XR825037	1
RH	XR825036	1
13. Blind Rivet	C2S9354	2
14. Air Duct		
Except 4.2 Supercharged		
VIN M45255 to VIN N13088		
LH	XR825034	1
RH	XR825033	1

15. Screw/washer		
Except 4.2 Supercharged		
VIN M45255 to VIN N13088	XR831688	2
16. Cam Plate		
Except 4.2 Supercharged		
To VIN N13088	KRF100003	3
17. Arrow head clip		
Except 4.2 Litre Supercharged		
1/4 turn	KTG100002	3
18. Blackout Moulding, centre	XR87611	1
19. Splitter vane	XR829588	1
20. Grille Mesh, front		
Except 4.2 Supercharged		
sport 200	XR829430	1
21. Anti Rattle Pad, Large	XR817826	A/R
22. Splitter vane, black finish		
Except 4.2 Supercharged		
Adaptice speed control	XR829429	1
23. Cover, Adaptive speed control		
RH	XR829433	1
24. Cover, Adaptive speed control		
LH	XR829435	1
25. Cover, Adaptive speed control		
RH, sport 200	XR836535	1
26. Cover, Adaptive speed control		
LH, sport 200	XR836536	1
27. Cover Bracket		
Adaptive speed control		
LH	XR829545	1
RH	XR829544	1
28. Cover, fog lamp, RH		
front fog lamp	XR817164	1
except front fog lamp	XR817167	1
29. Cover, fog lamp, LH		
front fog lamp	XR87616	1
except front fog lamp	XR87638	1
30. Bumper Blade		
LH Primer Painted	XR826425XXX	1
LH Bright finish	XR87629	1
RH Primer Painted	XR826424XXX	1
RH Bright finish	XR87628	1
31. Sems Screw		
Bumper to Crossmember	XR82164	6
32. Bumper cover		
Except 4.2 Supercharged		
Primer Painted		
Headlamp powerwash		
Except Sport 200	XR87633XXX	1
Sport 200	XR829442XXX	1
Except Headlamp powerwash		
Except Sport 200	XR87632XXX	1
Sport 200	XR829443XXX	1
33. Bolt C2C32665		2

34. U-Type nut	XR87652	11
35. Foam insert, front RH	XR836543	1
36. Foam insert, front LH	XR836544	1
37. Centre insert, inner RH To VIN M45254	XR810580	1
38. Centre insert, inner LH To VIN M45254	XR810581	1
39. Bumper Mounting Bracket LH	XR826635	1
RH	XR826634	1
40. Retaining Clip Bumper to wheelarch LH to VIN M45254	XR811452	1
LH VIN M45255 to VIN N13088	XR830259	1
RH	XR830258	1

Bumper - Front Supercharged To VIN N13088

1. Number Plate Plinth Large Rectangular Plate	XR835753	1
Square Plate	XR82147	1
2. Pop Rivet plinth to bumper	XR813185	1
3. Self tapping screw	XR88674	2
4. Spring nut	C2C26895	2
5. Headlamp mounting bracket RH	XR82145	1
LH	XR82146	1
6. Valance panel	XR827703	1
7. Push nut	XR857744	1
8. Grille mesh Engine block heater	XR829431	1
Except engine block heater	XR89430	1
9. Cover Adaptive speed control RH	XR829434	1
10. Cover Adaptive speed control LH	XR829436	1
11. Fog lamp bracket LH	XR829543	1
RH	XR829542	1
12. Flange screw	XR82355	2
13. Bumper blade Primer Painted LH	XR826425XXX	1
RH	XR826424XXX	1
14. Bumper Cover Adaptive speed control Headlamp powerwash	XR829442XXX	1
Except headlamp powerwash	XR829443XXX	1
15. Foam insert RH	XR836543	1

16. Foam insert LH	XR836544	1
17. Centre insert Inner RH	XR810580	1
18. Centre insert Inner LH	XR810581	1
19. Bumper fixing kit	JLM21155	1
20. Bumper Mounting bracket LH	XR826635	1
RH	XR826634	1
21. Retaining Clip Bumper to wheelarch LH to VIN M45254	XR811452	1
VIN M45255 to VIN N13088	XR830259	1
RH	XR830258	1

Bumper - Front from VIN N13089 to VIN N80180

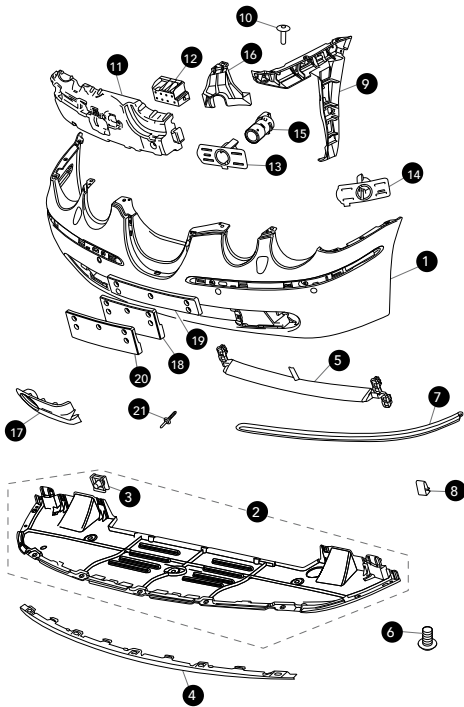
1. Bumper cover, Primer painted Front parking aid Headlamp powerwash	XR849695XXX	1
Except headlamp powerwash	XR849694XXX	1
Except front parking aid Headlamp powerwash	XR849693XXX	1
Except headlamp powerwash	XR849692XXX	1
2. Valance panel	XR849683	1
3. U-Type nut	XR87652	25
4. Deflector	XR846176	1
5. Splitter Vane	XR852616	1
6. Bolt	XR82059	1
7. Bumper blade Sport Series - Primer Painted LH	XR844070XXX	1
RH	XR844069XXX	1
Except Sport Series - Chrome finish LH	XR844132	1
RH	XR844131	1
8. Retainer	C2S47633	8
9. Bumper mounting bracket LH	XR849687	1
RH	XR849685	1
10. Rivet Mounting bracket to bumper	XR835880	6
11. Foam insert LH	XR846175	1
RH	XR846167	1
12. Insert LH	XR846174	1
RH	XR846173	1
13. Bracket Inner Front	XR837207	2

BODY

FRONT BUMPERS

14. Bracket, outer front			
LH	XR837208	1	
RH	XR837205	1	
15. Parking Aid Sensor	C2C29376XXX	4	
16. Headlamp mounting bracket			
RH	XR82145	1	
LH	XR82146	1	
17. Fog Lamp Cover			
LH	XR852617	1	
RH	XR852618	1	
18. Square Number Plate Plinth	XR845314	1	
19. Large Rectangular Plinth	XR845315	1	
20. Small Rectangular Plinth	XR845316	1	
21. Plinth to Bumper Rivet	XR813185	1	

Front VIN N13089 to VIN N80180

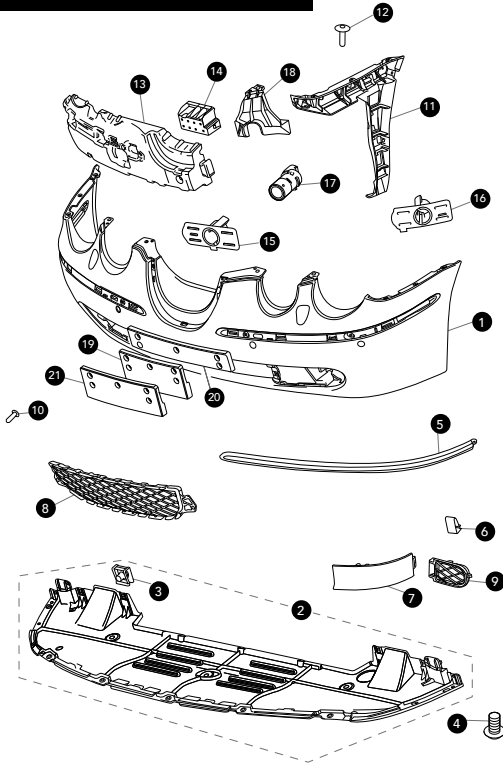


Bumper - Front Supercharged from VIN N13089 TO VIN N80180

1. Bumper Cover			
Primer Painted			
Front Parking Aid			
Headlamp powerwash	XR849699XXX	1	
Except headlamp powerwash	XR849698XXX	1	
Except front parking aid			
Headlamp powerwash	XR849697XXX	1	
Except headlamp powerwash	XR849696XXX	1	

2. Valance Panel	XR849684	1	
3. U-Type nut	XR87652	25	
4. Bolt	XR82059	9	
5. Bumper Blade			
Primer Painted			
LH	XR844070XXX	1	
RH	XR844069XXX	1	
6. Retainer	C2S47633	8	
7. Cover			
LH	XR844109XXX	1	
RH	XR844108XXX	1	
8. Centre Grille Mesh			
Engine block heater	XR846159	1	
Except engine block heater	XR846158	1	
9. Grille Mesh			
Outer LH	XR846178	1	
Outer RH	XR846177	1	
10. Mesh to Bumper Plastic Rivet	C2C4628	2	
11. Bumper mounting bracket			
LH Front	XR849688	1	
RH Front	XR849686	1	
12. Bracket to Bumper Rivet	XR835880	6	
13. Foam Insert			
LH	XR846175	1	
RH	XR846167	1	
14. Insert			
LH	XR846174	1	
RH	XR846173	1	
15. Bracket			
Front Inner	XR837207	2	
16. Bracket			
Front Outer LH	XR837208	1	
Front Outer RH	XR837205	1	
17. Parking Aid Sensor	C2C29376XXX	4	
18. Headlamp Mounting bracket			
RH	XR82145	1	
LH	XR82146	1	
19. Square Number Plate Plinth	XR845314	1	
20. Large Rectangular Plinth	XR845315	1	
21. Small Rectangular Plinth	XR845316	1	
22. Plinth to Bumper Rivet	XR813185	1	

Front from VIN N80181



Bumper - Front from VIN N80181

1. Bumper Cover		
Primer Painted		
Front Parking Aid		
Headlamp powerwash	XR849699XXX	1
Except headlamp powerwash	XR849698XXX	1
Except front parking aid		
Headlamp powerwash	XR849697XXX	1
Except headlamp powerwash	XR849696XXX	1
2. Valance Panel	XR849684	1
3. U-Type nut	XR87652	25
4. Bolt	XR82059	9
5. Bumper Blade		
LH		
Chrome finish	XR844132	1
Primer Painted	XR844070XXX	1
RH		
Chrome finish	XR844131	1
Primer Painted	XR844069XXX	1
6. Retainer	C2S47633	8
7. Cover		
LH	XR844109XXX	1
RH	XR844108XXX	1
8. Centre Grille Mesh		
Engine Block Heater	XR846159	1
Except Engine Block Heater	XR846158	1

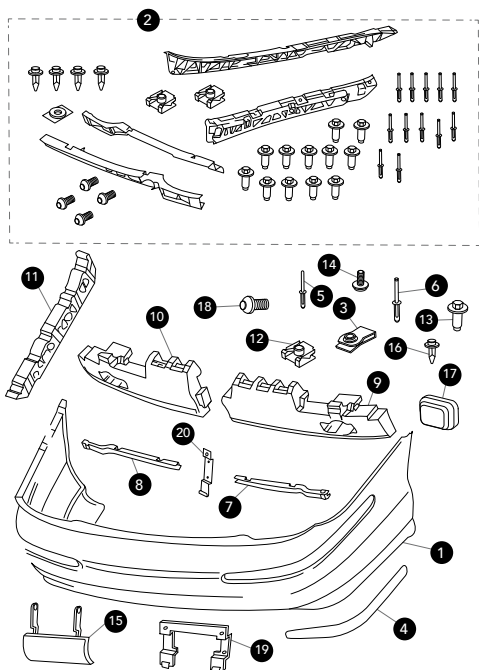
9. Outer Grille Mesh		
4.2 Litre Supercharged		
LH	XR846178	1
RH	XR846177	1
Except 4.2 Litre Supercharged		
LH - blanked	XR857223	1
RH - blanked	XR857222	1
10. Mesh to Bumper Plastic Rivet	C2C4628	2
11. Bumper Mounting Bracket		
LH	XR849688	1
RH	XR849686	1
12. Bracket to Bumper Rivet	XR835880	6
13. Foam Insert		
LH	XR846175	1
RH	XR846167	1
14. Insert		
LH	XR846174	1
RH	XR846173	1
15. Inner Front Bracket	XR837207	2
16. Outer Front Bracket		
LH	XR837208	1
RH	XR837205	1
17. Parking Aid Sensor	C2C29376XXX	4
18. Headlamp Mounting Bracket		
LH	XR82145	1
RH	XR82146	1
19. Square Number Plate Plinth	XR845314	1
20. Large Rectangular Plinth	XR845315	1
21. Small Rectangular Plinth	XR845316	1



BODY

REAR BUMPERS

Rear to VIN N13088

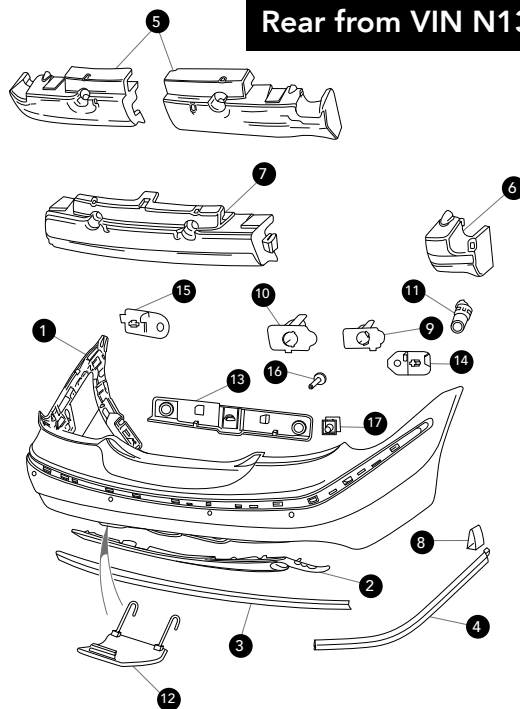


Bumper - Rear to VIN N13088

1. Bumper Cover			
Primer Painted			
Rear Parking Aid	XR87635XXX	1	
Except Parking Aid	XR87634XXX	1	
2. Bumper Fixing Kit	JLM21156	1	
3. Spring Nut	C2C26895	3	
4. Bumper Blade			
LH			
Bright finish	XR87631	1	
Primer Painted	XR826427XXX	1	
RH			
Bright finish	XR87630	1	
Primer Painted	XR826426XXX	1	
5. Rivet	XR87654	18	
6. Pop Rivet	XR813185	3	
7. Bumper Mounting Bracket			
Centre RH	XR87627	1	
8. Bumper Mounting Bracket			
Centre LH	XR87648	1	
9. Foam Insert			
RH CAN/USA/MEX	XR87642	1	
RH All Other	XR827515	1	
10. Foam Insert			
LH CAN/USA/MEX	XR87646	1	
LH All Other	XR827516	1	
11. Bumper Mounting Bracket			
LH	XR826629	1	
RH	XR826628	1	
12. U-Type nut	XR87652	11	

13. Bumper to Cross Rail	XR82164	6
Sems Screw		
14. Bumper Cover to Brackets Bolt	C2C32665	2
15. Towing Eye Cover	XR87650XXX	1
16. Blind Rivet	C2S9354	4
17. Grommet	XR81065	1
18. Bumper cover to body		
CAN/USA/MEX	C2C32665	8
All Other Markets	XR82059	8
19/ Number Plate Bracket		
20. Small Number Plate	XR831075	2

Rear from VIN N13089



Bumper - Rear from VIN N13089

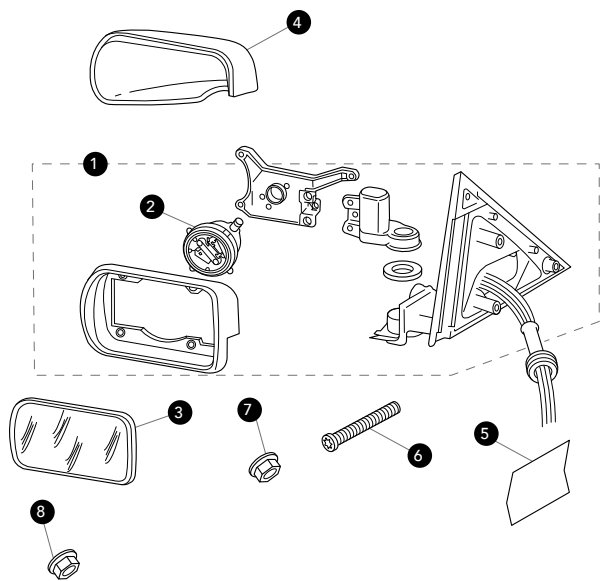
1. Bumper Cover			
Primer Painted			
Rear Parking Aid	XR849700XXX	1	
Except Parking Aid	XR849701XXX	1	
2. Extension Panel	XR846166	1	
3. Centre Bumper Finisher			
Classic Trim - Chrome	XR844145	1	
Sports Trim - Primer Painted	XR847568XXX	1	
4. Bumper Finisher			
Classic Trim - Chrome			
LH	XR844134	1	
RH	XR844133	1	
Sports Trim - Primer Painted			
LH	XR844071XXX	1	
RH	XR844072XXX	1	

5. Foam Insert Except CAN/USA/MEX					
LH	XR846172	1			
RH	XR846171	1			
6. Foam Insert - CAN/USA/MEX					
LH	XR846170	1			
RH	XR84169	1			
7. Centre Foam Insert CAN/USA/MEX	XR846168	1			
8. Retainer	C2S47633	8			
9. Rear Parking Aid Sensor Bracket Outer					
LH	XR837490	1			
RH	XR837487	1			
10. Rear Parking Aid Sensor Bracket Inner	XR837489		2		
11. Rear Parking Aid Sensor	C2C29376XXX		4		
12. Towing Eye Cover	XR846179		1		
13. Centre Spacer	XR852773		1		
14. Spacer RH	XR852774		1		
15. Spacer LH	XR852770		1		
16. Spacer to Bumper Bolt	C2C32665		4		
17. Spacer to Bumper U-Type Nut	XR87652		4		
18. Extension Panel to Body Rivet	C2S9354		4		



BODY

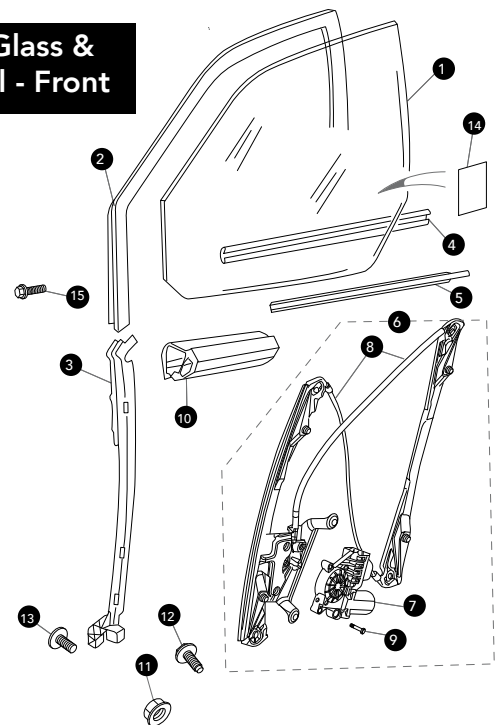
DOOR MIRRORS



1. Door Mirror, less glass/backcover			
Memory			
Power Park Mirror			
LH			
To VIN M45254	XR827256	1	
From VIN M45255	XR857833	1	
RH			
To VIN M45254	XR827254	1	
From VIN M45255	XR857832	1	
Except Power Park Mirror			
LH			
To VIN M45254	XR827252	1	
From VIN M45255	XR857831	1	
RH			
To VIN M45254	XR827250	1	
From VIN M45255	XR857830	1	
Non Memory			
Power Park Mirror			
LH, to VIN M45254	XR827255	1	
RH, to VIN M45254	XR827253	1	
Except Power Park Mirror			
LH, to VIN M45254	XR827251	1	
RH, to VIN M45254	XR827249	1	
2. Door Mirror Motor			
Memory			
To VIN M45254	XR810719	2	
From VIN M45255	C2P11142	2	
Non Memory			
To VIN M45254	XR810718	2	
From VIN M45255	C2S45221	2	
3. Door Mirror Glass			
Convex - with Warning			
Contact Sales			
Convex - without Warning			
To VIN M45254	XR810714	2	
From VIN M45255	C2S43254	2	

Electrochromatic - flat - without warning			
From VIN M45255	XR822518	2	
Electrochromatic - convex - with warning			
Contact Sales			
Electrochromatic - convex - without warning			
From VIN M45255	XR822519	2	
Flat - without Warning			
To VIN M45254	XR810713	2	
From VIN M45255	C2S43253	2	
4. Mirror Backcover			
LH, Chrome			
From VIN M45255	C2C9191	1	
LH, Primer Painted			
To VIN M45254	XR810721	1	
From VIN M45255	C2S39141XXX	1	
RH, Chrome			
From VIN M45255	C2C9189	1	
RH, Primer Painted			
To VIN M45254	XR810720	1	
From VIN M45255	C2S39140XXX	1	
5. Door Mirror Seal			
LH			
	XR816536	1	
RH			
	XR816535	1	
6. Screw			
	C2S11785	3	
7. Nut			
To VIN N65411	JFN10604B	1	
8. Flanged Nut			
From VIN N65412	XR849704	1	

Door Glass & Channel - Front



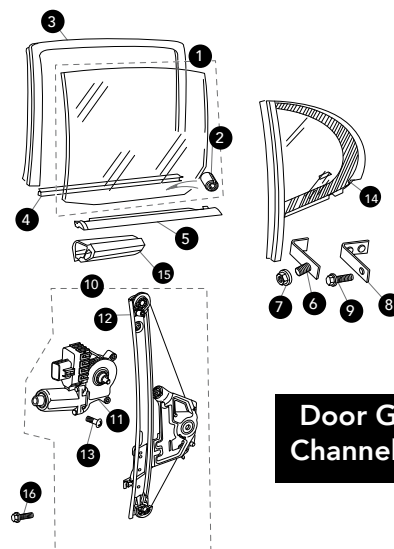
Door & Glass Channel - Front

1. Door Glass, Tinted			
LH Front	XR849788	1	
RH Front	XR849787	1	
2. Upper Glass Run Channel			
LH Front			
To VIN M45254	XR825644	1	
From VIN M45255	XR842604	1	
RH Front			
To VIN M45254	XR825643	1	
From VIN M45255	XR842603	1	
3. Lower Glass Run Channel			
LH Front	XR827258	1	
RH Front	XR827257	1	
4. Inner Door Waist Seal			
LH	XR816313	1	
RH	XR816312	1	
5. Outer Door Waist Seal			
LH, Black Finish			
To VIN M45254	XR82535	1	
From VIN M45255	XR842100	1	
LH, Bright Finish			
From VIN M45255	XR842101	1	
RH, Black Finish			
To VIN M45254	XR82534	1	
From VIN M45255	XR842096	1	
RH, Bright Finish			
From VIN M45255	XR842097	1	
6. Window Regulator			
Assembly parts now serviced separately	See 7 and 8		
7. Window Motor			
LH to VIN M45254	XR848087	1	
LH from VIN M45255	XR848098	1	
RH to VIN M45254	XR848086	1	
RH from VIN M45255	XR848097	1	
8. Window Rail			
LH to VIN M45254	XR848083	1	
LH from VIN M45255	XR848094	1	
RH to VIN M45254	XR848082	1	
RH from VIN M45255	XR848093	1	
9. Screw	XR850563	A/R	
10. Anti Rattle Buffer	GJA1718AB	2	
11. Hexagonal Flange Nut	XR81614	5	
12. Flange Screw	XR822535	10	
13. Pan Head Screw	XR82381	4	
14. Warning Label	XR81937	2	
15. Motor to Regulator Screw	XR848101	3	

Door & Glass Channel - Rear

1. Door Glass			
LH Rear	XR82484	1	
RH Rear	XR82483	1	
2. Pin	XR86308	1	
3. Glass Run Channel			
LH rear to VIN M45254	XR825646	1	
LH rear VIN M45255 to VIN N24922	XR842606	1	
LH rear from VIN N24923	XR851828	1	
RH rear to VIN M45254	XR825645	1	
RH rear from VIN M45255	XR851827	1	

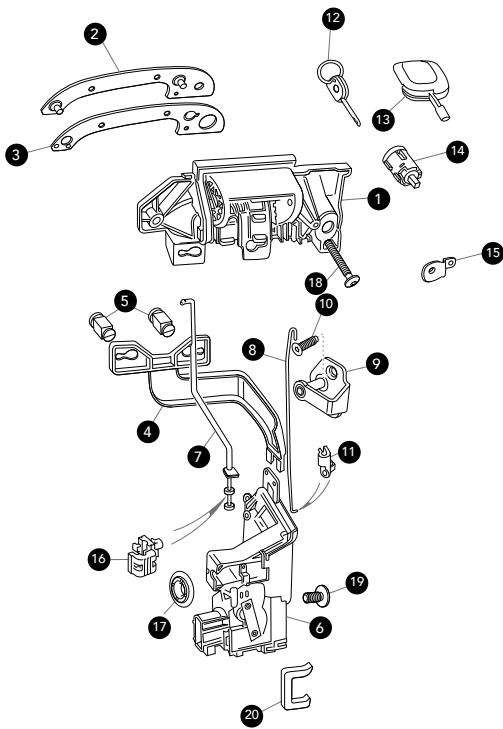
4. Inner Door Waist Seal			
LH Rear	XR816315	1	
RH Rear	XR816314	1	
5. Outer Door Waist Seal			
LH rear, Black Finish			
To VIN M45254	XR817294	1	
From VIN M45255	XR842108	1	
LH rear, Bright Finish			
From VIN M45255	XR842109	1	
RH rear, Black Finish			
To VIN M45254	XR817293	1	
From VIN M45255	XR842104	1	
RH rear, Bright Finish			
From VIN M45255	XR842105	1	
6. Mounting Bracket			
To VIN M45254	XR856622	2	
7. Hexagonal Flange Nut			
To VIN M45254	C2C1641	A/R	
8. Mounting Bracket			
From VIN M45255	XR856622	2	
9. Screw, from VIN M45255	XR831810	A/R	
10. Window Regulator			
Assembly parts now serviced separately	See 11 and 12		
11. Window Motor			
LH rear to VIN M45254	XR848089	1	
LH rear from VIN M45255	XR848100	1	
RH rear to VIN M45254	XR848088	1	
RH rear from VIN M45255	XR848099	1	
12. Window Rail			
LH rear to VIN M45254	XR848085	1	
LH rear from VIN M45255	XR848096	1	
RH rear to VIN M45254	XR848084	1	
RH rear from VIN M45255	XR848095	1	
13. Screw	XR850563	A/R	
14. Quarter Glass Encapsulation			
LH rear to VIN M45254	XR830453	1	
LH rear from VIN M45255	XR856605	1	
RH rear to VIN M45254	XR830452	1	
RH rear from VIN M45255	XR856604	1	
15. Anti Rattle Buffer	GJA1718AB	2	
16. Motor to Regulator Screw	XR848101	3	



Door Glass & Channel - Rear

BODY

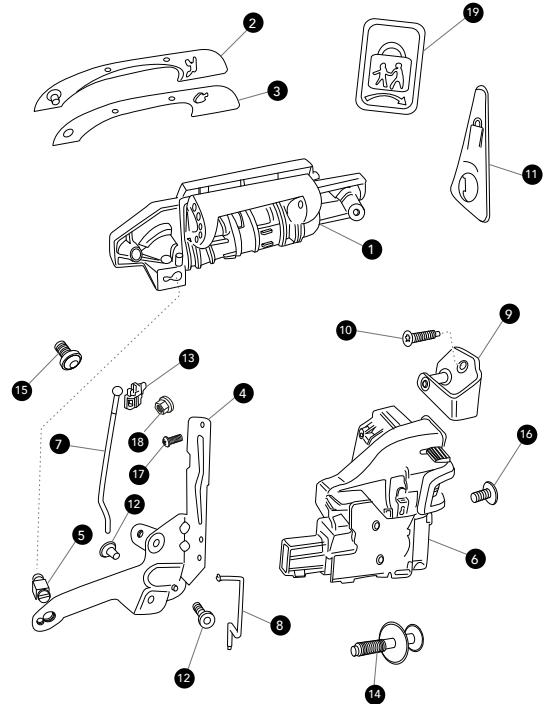
DOOR HANDLES & LOCKS



Door Handle & Lock - Front

1. Door Handle	Contact Sales	
2. Bezel, primer painted		
LHD - LH	XR83617XXX	1
RHD - RH	XR83616XXX	1
RHD - LH	XR83618XXX	1
RHD - RH	XR83615XXX	1
3. Door Handle Aperture Gasket	XR828163	2
4. Door Latch Module		
Mounting Bracket		
LHD- RH Door	XR86322	1
RHD - LH Door	XR86323	1
5. Bush	XR810704	2
6. Door Latch		
LHD Deadlocking		
LH	XR853191	1
RH	XR853184	1
LHD Except Deadlocking		
LH	XR853047	1
RH	XR853044	1
RHD Deadlocking		
LH	XR853192	1
RH	XR853183	1
RHD Except Deadlocking		
LH	XR853048	1
RH	XR853265	1
7. Lock to Latch Linkage Rod		
LHD, LH Front		
With Security System	XR817361	1
Without Security System	XR817360	1

RHD, RH Front		
With Security System	XR817359	1
Without Security System	XR817358	1
8. Locking Barrel to Latch Linkage Rod		
LHD - LH	XR817367	1
RHD - RH	XR817366	1
9. Striker	XR818411	2
10. Countersunk Screw	XR82460	4
11. Clip	XR811823	2
12. Key	Contact Sales	
13. Key	Contact Sales	
14. Door Lock Barrel	Contact Sales	
15. Lock Control Lever	XR828174	1
16. Anti Rattle Clip	XR817386	1
17. Plastic Plug	XR82413	1
18. Flange Head torx screw		
To VIN N13088	XR82410	2
From VIN N13089	XR856893	2
19. Screw	XR82411	6
20. Door Latch Seal	XR810644	1

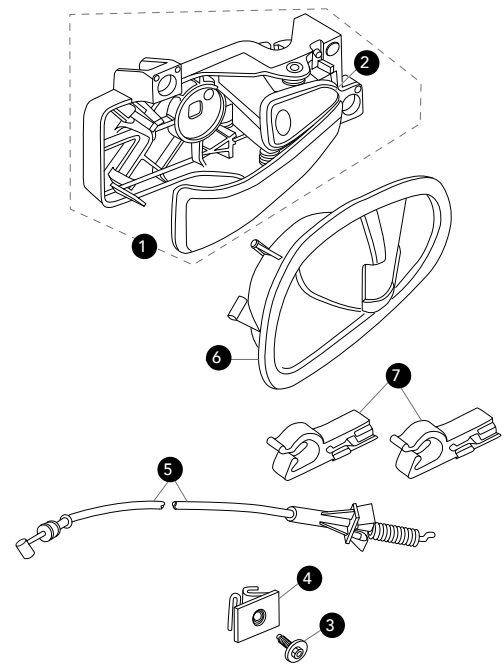


Door Handle & Lock - Rear

1. Door Handle	Contact Sales	
2. Bezel, primer painted		
LH	XR83614XXX	1
RH	XR83613XXX	1
3. Door Handle Aperture Gasket	XR828163	2
4. Door Latch Module		
Mounting Bracket		
LH	XR817370	1
RH	XR817369	1
5. Bush	XR810704	2

BODY DOOR HANDLES & LOCKS

6. Door Latch			
Deadlocking			
LH	XR853055	1	
RH	XR853051	1	
Except Deadlocking			
LH	XR853056	1	
RH	XR853052	1	
7. Bellcrank to Handle			
Linkage Rod			
LH	XR817365	1	
RH	XR817364	1	
8. Bellcrank to Latch			
Linkage Rod			
LH	XR817363	1	
RH	XR817362	1	
9. Striker	XR818411	2	
10. Countersunk Screw	XR82460	4	
11. Finisher			
LH	XR81996	1	
RH	XR81995	1	
12. Bush	XR811822	2	
13. Anti Rattle Clip	XR817386	4	
14. Striker	XR83521	2	
15. Bolt	XR82409	6	
16. Screw	XR82411	5	
17. Module Bracket to			
Door Latch Screw	XR822748	1	
18. Module Bracket to			
Door Latch Nut	XR81666	1	
19. Child Lock Label			
LH	XR848076	1	
RH	XR848075	1	

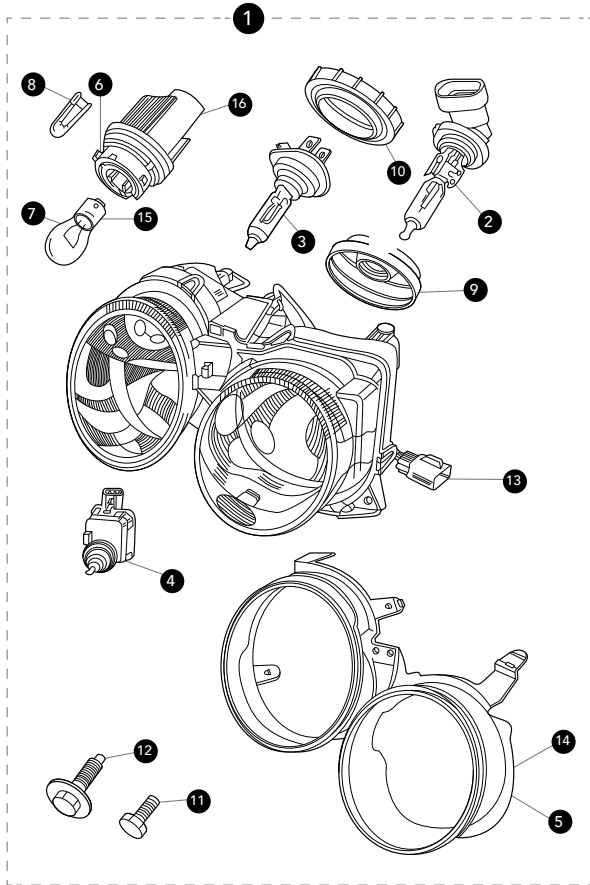


Door Handle Remote Control

1. Remote Control Handle			
Front and Rear			
LH to VIN M45254	XR828166	2	
RH to VIN M45254	XR828164	2	
Front			
LH from VIN M45255	XR855638	1	
RH from VIN M45255	XR855636	1	
Rear			
LH from VIN M45255	XR855639	1	
RH from VIN M45255	XR855637	1	
2. Door Locking Flag Cap			
LH	XR856670	1	
RH	XR856669	1	
3. Screw/Washer	XR82458	4	
4. Push on Nut	XR82412	4	
5. Remote Release Cable			
LH Rear Door			
To VIN L55275	XR817372	1	
RH Rear Door			
To VIN L55275	XR817371	1	
Front RH and LH Door			
To VIN L55275	XR817368	1	
6. Remote Control Escutcheon	Contact Sales		
7. Clip	XR811821	2	

LIGHTING

HEADLAMP ASSEMBLY



1. Headlamp Assembly

LHD

LH, with headlamp levelling	XR844342	1
RH, with headlamp levelling	XR844338	1
LH, without headlamp levelling	XR855195	1
RH, without headlamp levelling	XR855193	1

RHD

LH, with headlamp levelling	XR844343	1
RH, with headlamp levelling	XR844339	1
LH, without headlamp levelling	XR844344	1
With revised aim aduster	XR858398	1
RH, without headlamp levelling	XR844340	1
With revised aim aduster	XR858397	1

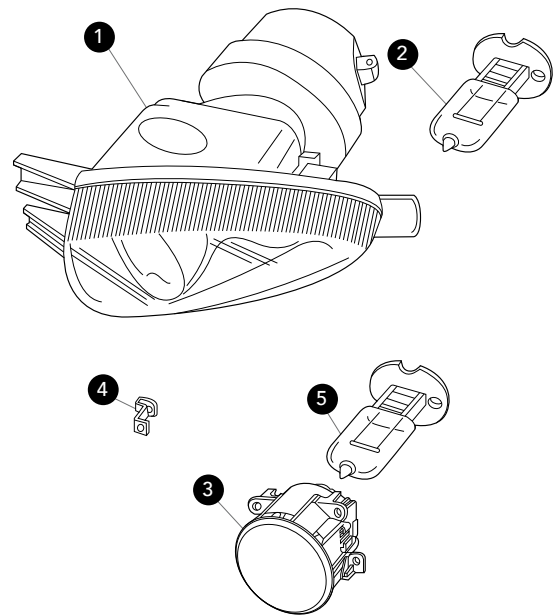
2. Headlamp bulb, main beam	XR812420	2
3. Headlamp bulb, 55W	XR812421	2
4. Levelling actuator	XR848364	2

5. Gasket, RHD		
LH	JLM21007	
RH	JLM21006	
6. Bulb holder, LHD		
With headlamp levelling	XR812401	2
Without headlamp levelling	XR855196	2
Bulb holder, RHD		
With headlamp levelling	XR812401	2
Without headlamp levelling	XR812401	2
7. Bulb 21W	XR812403	2
8. Bulb wedge base 5W	C2S15074	2
9. Bulb cap	JLM21245	2
10. Bulb cap	C2S15085	2
11. Hex headed screw M5	XR87321	8
12. Pan head screw	C2C5198	6
13. Headlamp harness	Contact Sales	
14. Headlamp seal from VIN M45255		
LH	XR848362	1
RH	XR848361	1
15. Indicator lamp bulb		
Clear	C2S15075	2
Amber	C2S15076	2
16. Indicator bulb holder		
From VIN M45255		
LH	XR848363	1
RH	XR812401	1

LIGHTING

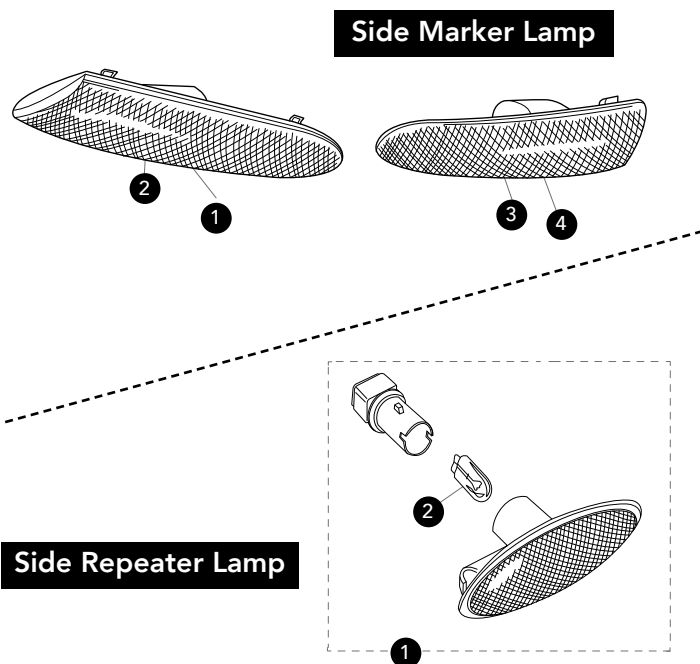
FRONT FOG LAMPS

1. Fog lamp, LH front (naturally aspirated) To VIN N13088	XR87609	1
Fog lamp, RH front (naturally aspirated) To VIN N13088	XR87608	1
2. Bulb to VIN N13088	XR812419	2
3. Fog lamp, front (supercharged) To VIN N13088	C2S1740	2
Fog lamp, LH front (supercharged) From VIN N13089	XR837532	2
4. Plastic nut, from VIN N13089	XR846154	2
5. Fog lamp bulb, H11 55W From VIN N13089	C2S42389	2



LIGHTING

SIDE MARKER & REPEATER LAMPS



Side Repeater Lamps

1. Direction indicator side lamp To VIN N13088	XR816644	2
From VIN N13089	XR87225	2
2. Bulb, wedge base 5W	C2S15074	2

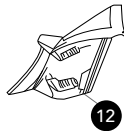
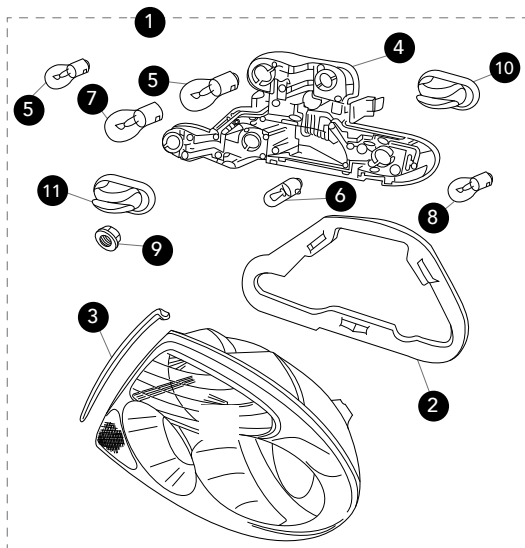
Side Marker Lamps

1. Reflector, amber lens LH front	XR89967	1
RH front	XR89966	1
2. Side marker lamp LH front	XR847586	1
RH front	XR847585	1
3. Reflector, amber lens LH rear	XR87613	1
RH rear	XR87612	1
4. Side marker lamp LH rear	XR847580	1
RH rear	XR847579	1

NB. For USA & Canada contact sales for information

LIGHTING

REAR LAMPS



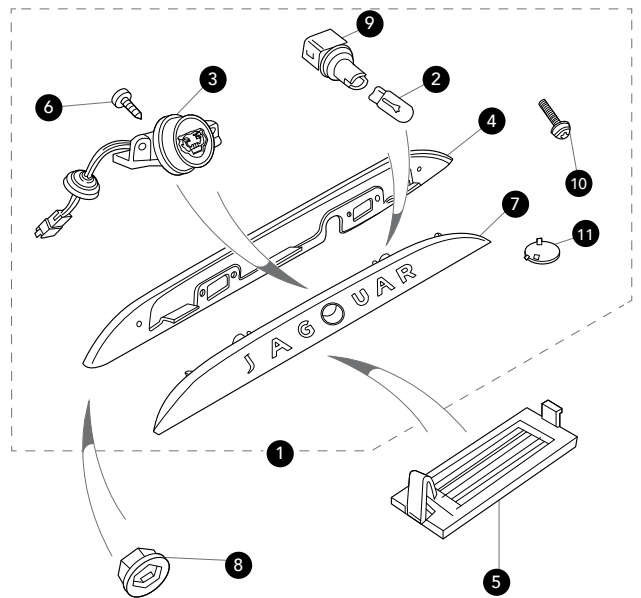
Rear Lamp Assembly

1. Lamp cluster	Contact sales	
2. Rear seal	Contact sales	
3. Rear lamp edge seal	JLM21244	2
4. Carrier	Contact sales	
5. Bulb	XR812418	A/R
6. Bulb	XR812410	2
7. Bulb, 21W	XR812403	2
8. Bulb, 21W-4W	XR812409	2
9. Rear Lamp Nut, from VIN N13089	XR843795	2
10. Retaining clip, from VIN N13089	XR847264	2
11. Trim clip, from VIN N13089	XR849566	2
12. Finisher panel		
LH	XR851612	1
RH	XR851611	1

(item not shown)

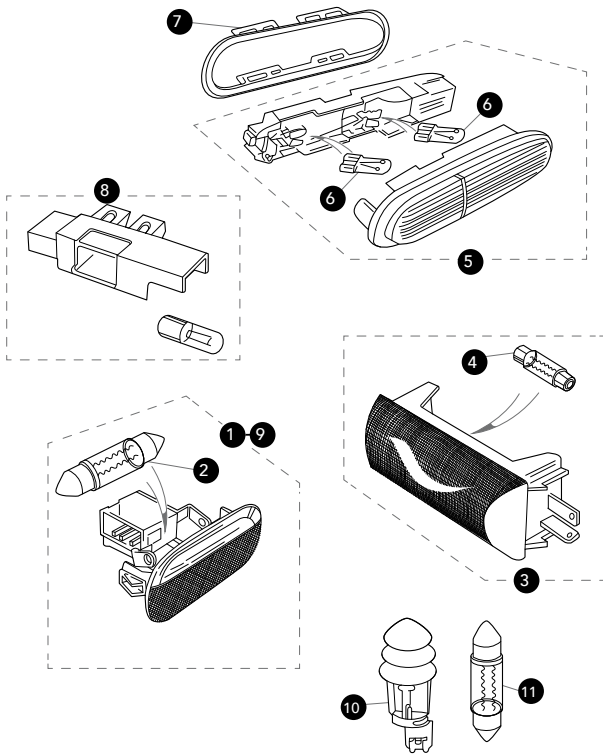
High mount stop lamp, from VIN M45255	XR843178	1
High mount stop lamp, to VIN M45254	Contact Sales	
Diode set to VIN M45254	JLM21010	1
Edge seal to VIN M45254	JLM21632	1

1. Number plate lamp, chrome To VIN N13088	XR851455	1
Number plate lamp, primer painted To VIN N13088	XR851666XXX	1
2. Bulb, wedge base 5W	C2S15074	1
3. Boot/trunk release switch To VIN N13088	C2C31837	1
From VIN N13089	C2S38530	1
4. Number plate lamp gasket	XR812444	1
5. Lens with gasket, LH to VIN N13088	XR829253	1
Lens, LH, from VIN N13089	XR851934	1
Lens with gasket, RH, to VIN N13088	XR812445	1
Lens, RH, from VIN N13089	XR851933	1
6. Pan head screw	XR830771	2
7. Number plate plinth, to VIN N13088		
Chrome	XR829251	1
Primed	XR827789XXX	1
8. Hexagonal nut	XR812219	4
9. Bulb holder	XR826715	1
10. Self tapping screw/washer	C2S2149	8
11. Screw cover	C2S34383	1



Numberplate Lamp Assembly

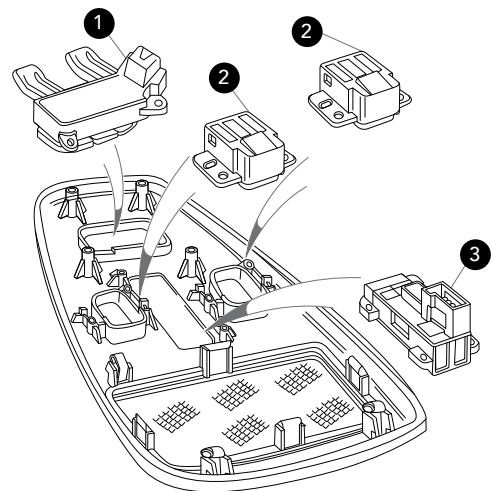
LIGHTING INTERIOR LAMPS



1. Door hazard lamp, red	C2S20577	2
2. Festoon bulb 5W	LNA5180AA	2
3. Boot/trunk lamp		
To VIN M45254	C2P8304	2
VIN M45255 to VIN N52047	C2C22658	1
From VIN N52048	C2P8304	2
4. Bulb 12V 10W		
VIN M45255 to VIN N52047	C2S13205	1
Bulb 12V 6W		
To VIN M45254 & from VIN N52048	JLM293	2
5. Courtesy lamp		
LH to VIN M45254	LNA5361AD	1
LH from VIN M45255	XR844520	1
RH to VIN M45254	LNA5361AC	1
RH from VIN M45255	XR844519	1
6. Bulb, wedge base 5W	C2S215074	A/R
7. Bezel	Contact for colours	
8. Glovebox lamp	XR813341	1
9. Puddle lamp	C2S20577	2
10. Boot/trunk lid switch		
To VIN L31320	XR81935	1
VIN L31321 to VIN N13088	C2S11947	1
11. Suvisor bulb	LJA5180BA	2

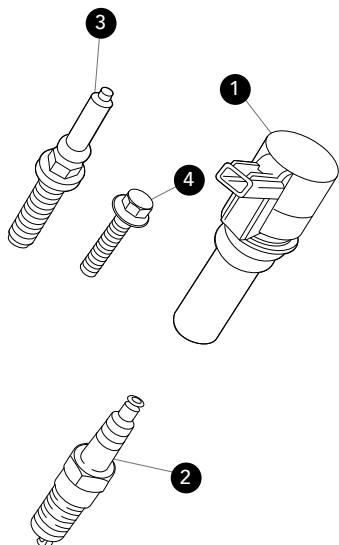
LIGHTING MAP LAMP & ROOF CONSOLE

1. Roof console switch pack		
To VIN M45254		
with rear parking aid		
With window blind	XR82132	1
Without window blind	XR82131	1
To VIN 45254		
without rear parking aid		
With window blind	XR82130	1
Without window blind	XR82129	1
2. Map lamp switch		
To VIN M45254	XR813125	1
3. Sunroof switch		
To VIN M45254	XR88743	1
4. Festoon bulb	JLM21411	1



ELECTRICAL COMPONENTS

IGNITION SYSTEM

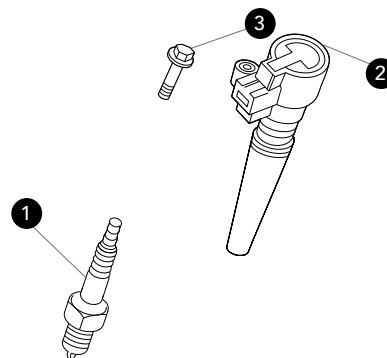


Spark Plug & On Plug Coil - V6

1. On Plug Ignition Coil		
2.5 Litre Petrol	C2S42673	6
3.0 Litre Petrol		
To VIN M45254	C2S42751	6
From VIN M45255	C2S42673	6
2. Spark Plug		
Unleaded Fuel	C2S46895	6
3. Coil to Camshaft Cover Special Stud		
LH B-Bank	XR829210	3
4. Hexagonal Head Flanged Bolt	XR85432	6

Spark Plug & On Plug Coil - V8

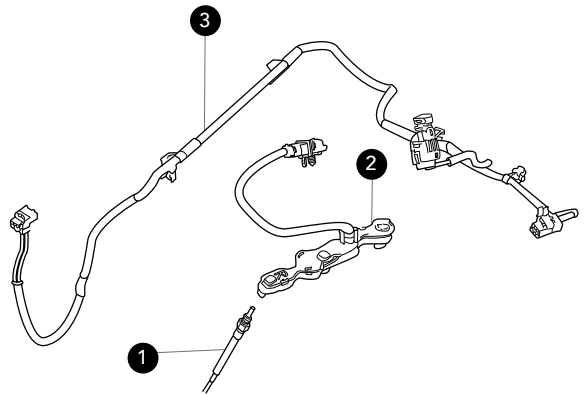
1. Spark Plug		
Unleaded Fuel	C2A1535	8
2. On Plug Ignition Coil		
To VIN M45254	XR827823	8
From VIN M45255	AJ810445	8
3. Hexagonal Head Flanged Bolt	AJ88474	8



ELECTRICAL COMPONENTS

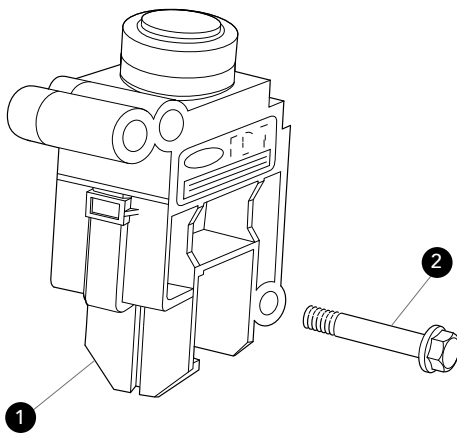
GLOW PLUGS

1. Glow Plug	JDE3926	6
2. Engine Harness		
LH	C2S49878	1
RH	C2S49879	1
3. Harness	XR842372	1



ELECTRICAL COMPONENTS

INERTIA SWITCH

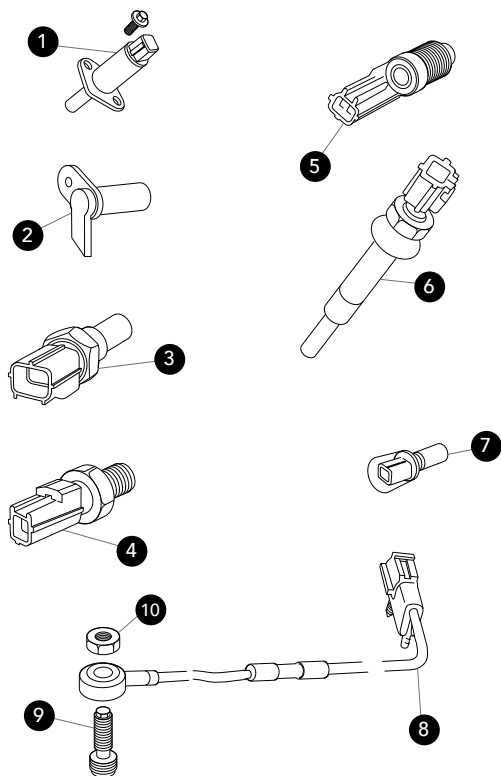


1. Inertia Switch			
To VIN M45254	XR87989	1	
From VIN M45255	XR829589	1	
2. Hexagonal Flange Screw			
To VIN M45254	XR812218	2	
From VIN M45255	XR812217	2	



ELECTRICAL COMPONENTS

ENGINE SENSORS



Engine Sensors V6

Engine Sensors - V6 Petrol

1. Solenoid Valve			
with Variable Valve Timing			
To VIN M45254	XR816235	2	
From VIN M45255	AJ810570	2	
2. Crankshaft Position Sensor	XR829578	1	
3. Air Temperature Sensor	XR810205	1	
4. Oil Pressure Switch	C2S52255	1	
5. Coolant Temperature Sensor			
M18	AJ810031	1	
M12	LNA1600AA	1	
6. Temperature Sensor			
To VIN M45254	XR813484	1	
7. Camshaft Position Sensor	XR853846	2	

8. Knock Sensor			
To VIN M45254			
Engine Side	XR84685	1	
Engine Top	LRA1692DB		
VIN M45255 to VIN N52047			
Engine Side	XR835380	1	
Engine Top	AJ85676	1	
From VIN N52048			
Engine Side	XR84685	1	
Engine Top	LRA1692DB	1	
9. Knock Sensor Stud	XR85322	1	
10. Nut	JFN10804B	1	

Engine Sensors - V8 Petrol

1. Solenoid Valve			
with Variable Valve Timing	AJ810570	2	
2. Crankshaft Position Sensor	AJ81284	1	
3. RH A-Bank Camshaft Position Sensor	LRA1646BC		
4. LH B-Bank Camshaft Position Sensor			
To VIN M45254	LRA1646DB	1	
From VIN M45255	AJ84290	1	
5. Air Temperature Sensor			
4.2 Supercharged	AJ83678	1	
Except 4.2 Supercharged	XR810205	1	
6. Temperature Sensor			
M12	LRA1600BA	1	
Push Fit	AJ88655	1	
M18	AJ810031	1	
7. Oil Pressure Switch			
Black	AJ84853	1	
Green	C2S42616	1	

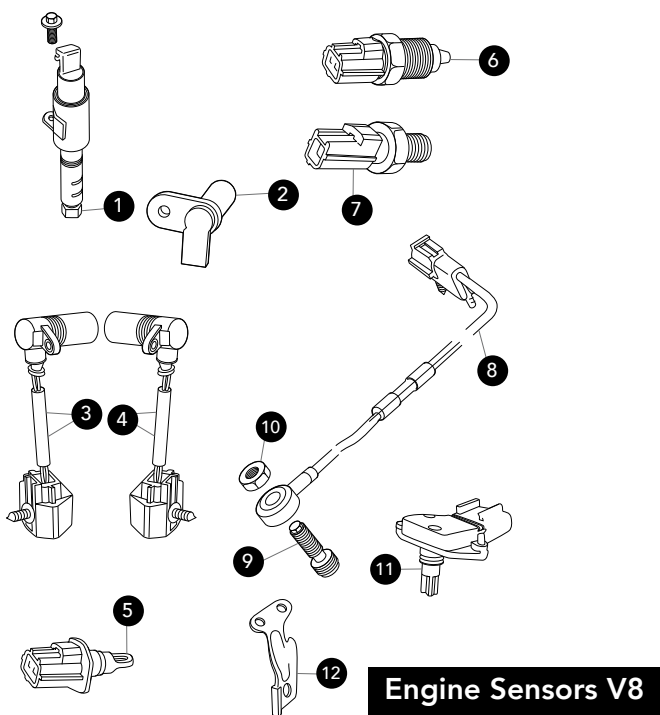
ELECTRICAL COMPONENTS

ENGINE SENSORS

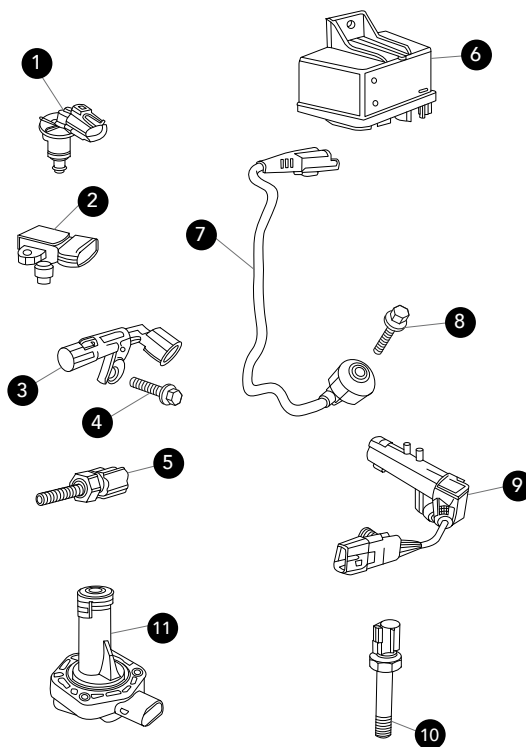
8. Knock Sensor			
To VIN M45254	LRA1692DB	2	
VIN M45255 to VIN N52047			
4.2			
LH B-Bank	AJ85676	1	
RH A-Bank	AJ84433	1	
4.2 Supercharged	AJ85676	2	
From VIN N52048	AJ89189	1	
9. Knock Sensor Stud	NRA1268AA	2	
10. Nut	JFN10804B	2	
11. Map Sensor			
4.2			
2 Hole Fixing			
VIN M45255 to VIN M62935	AJ82763	1	
From VIN M62936	C2C22616	1	
4.2 Litre Supercharged			
1 Hole Fixing	AJ812337	1	
2 Hole Fixing	AJ82763	1	
12. Sensor Bracket			
4.2 Litre Supercharged	AJ85633	2	

Engine Sensors - Diesel

1. Coolant temperature sensor	JDE1634	1
2. Map sensor	C2P19377	1
3. Camshaft position sensor	C2C37161	1
4. Hex headed screw M6 x 20mm	JZS100085	1
5. Temperature sensor		
From VIN N13089, cylinder head mounted	C2S21863	1
from VIN N52048, sump mounted	C2S1359	1
6. Glow plug control module	C2S24037	1
7. Knock sensor	C2S29878	1
8. Knock sensor bolt	XR838683	1
9. Crankshaft position sensor	C2S51271	1
10. Oil pressure switch	JDE 3131	1
11. Low oil level sensor	C2S21861	1

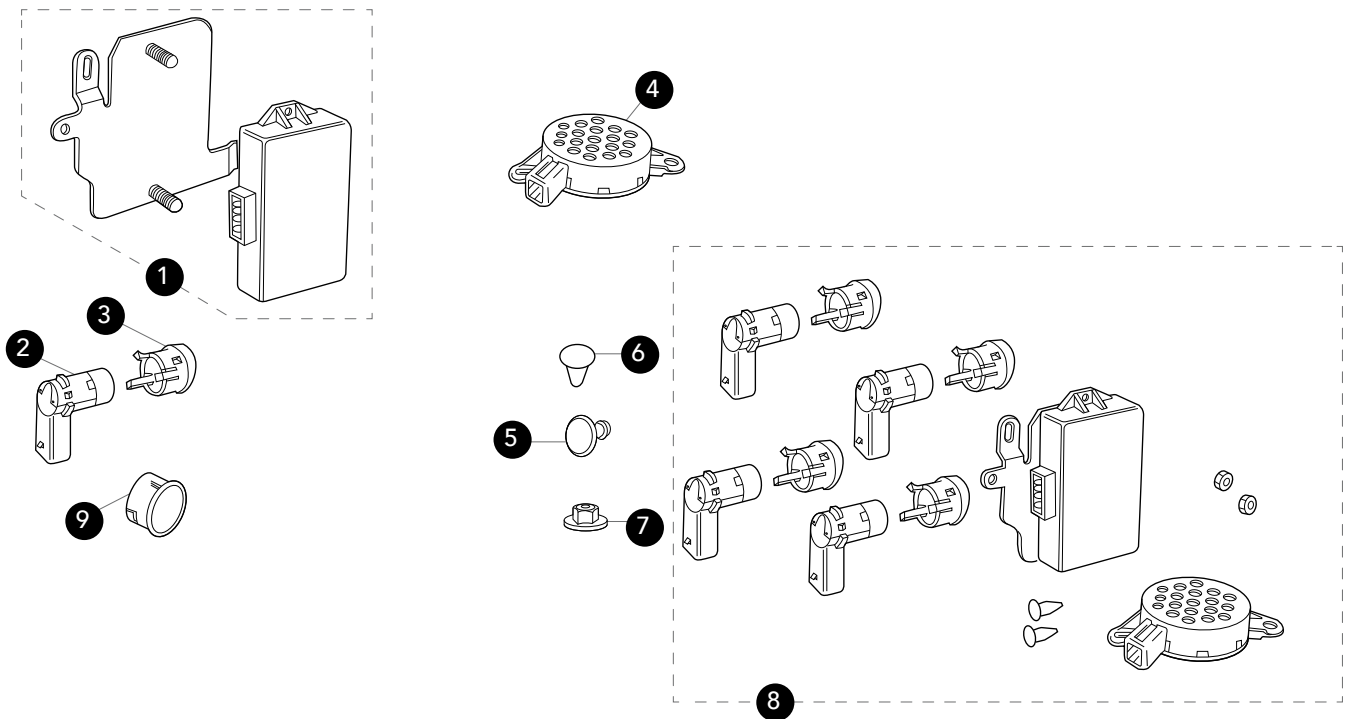


Engine Sensors Diesel



ELECTRICAL COMPONENTS

PARKING AID



1. Reversing Aid Module

Rear

To VIN M45254 XR826791 1

VIN M45255 to VIN N13088 XR845141 1

From VIN N13089 XR851645 1

Front/Rear

From VIN N13089 XR851653 1

2. Sensor

Primer Painted

TO VIN N13088 XR86401 8

Power Coated

From VIN N13089 C2C29376XXX 8

3. Sensor Mounting Bracket

TO VIN N13088

LH Inner XR86403 1

LH Outer XR86405 1

RH Inner XR86404 1

RH Outer XR86402 1

4. Reversing Aid Speaker C2N2421 1

5. Tube Rivet

From VIN L89706 C2S15121 2

6. Flanged Nut XR88583 2

7. Push in Fastener C2S15121 1

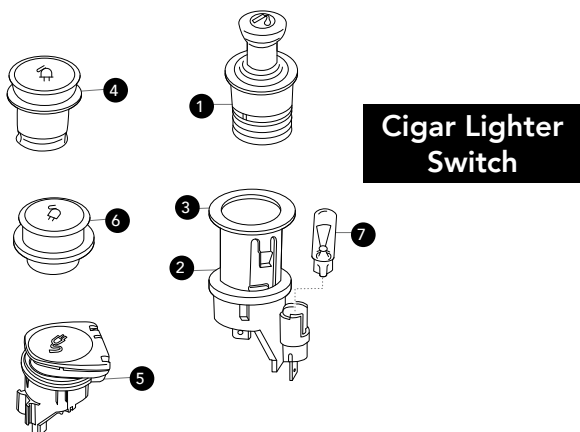
8. Parking Aid Kit

To VIN M45254 JLM21534 1

9. Sensor Mounting Bracket

From VIN N13089

Front and Rear C2N2870 4

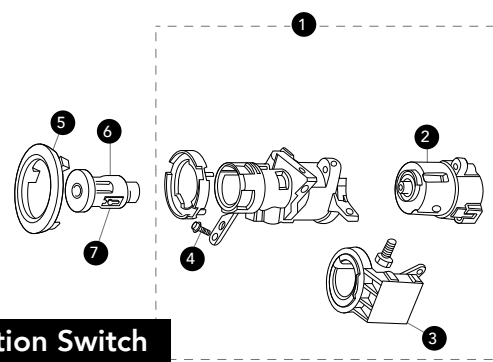


Cigar Lighter Switch

1. Cigar Lighter Element			
To VIN M45254	XR82782		1
From VIN M45255	C2C11315		1
2. Cigar Light Housing			
To VIN M45254	XR82783		1
From VIN M45255	XR857856		1
3. Illumination Ring			
From VIN N13089	C2P5433		1
4. Blanking Plug	C2S20865	A/R	
5. Power Socket Cover			
From VIN N13089	C2P4261		1
6. Blanking Plug	XR852169	A/R	
7. Bulb	C38966		1

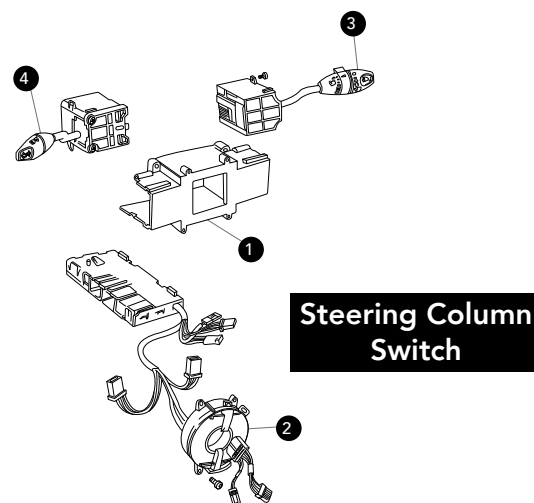
Ignition Switch

1. Housing	Contact Sales		
2. Ignition Switch			
To VIN M45254	XR815815		1
Without Lock			
From VIN M45255	C2C25596		1
With Lock			
From VIN M45255	C2C25597		1
3. Transceiver			
Manual	XR829678		1
Automatic	C2C14334		1
4. Hexagon Head	XR88141		2
5. Ignition Switch Bezel	Contact Sales		
6. Ignition Lock Barrel	Contact Sales		
7. Ignition Lock Slave Barrel			
With Key	JLM21182		1
8. Control Cable	XR811826		1
9. Key	Contact Sales		



Steering Column Switch

1. Switch Mounting Carrier	JLM20939		1
2. Cancellation/Cassette Module			
To VIN L18230	JLM20940		1
VIN L18231 to VIN M45254	JLM21256		1
From VIN M45255	C2P20958		1
3. Windscreen Wash/Wiper Switch			
Rain Sensing System			
To VIN M45254	JLM20951		1
From VIN M45255	XR855435		1
Except Rain Sensing System			
To VIN M45254	JLM20950		1
From VIN M45255	XR855436		1
4. Direction Indicator Switch			
To VIN M45254	JLM20938		1
VIN M45255 to VIN N64913	XR854841		1
From VIN N64914	XR855434		1



ELECTRICAL COMPONENTS

SWITCHES

Speed Control Switch

1. Traction Control Switch

To VIN M45254 XR82785 1

2. Sports Mode Switch

To VIN M45254 XR82784 1

3. Switch Mounting Plate

Except Sports Seats

Automatic

To VIN L25699 XR89244 1

VIN M25700 to VIN M08999 XR816766 1

VIN M09000 to VIN M45254 XR828032 1

Manual XR89243 1

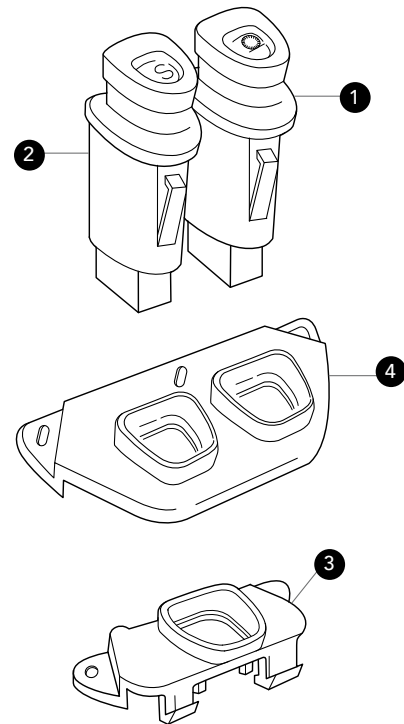
4. Switch Mounting Plate

Sports Seats

VIN M21730 to VIN M45254

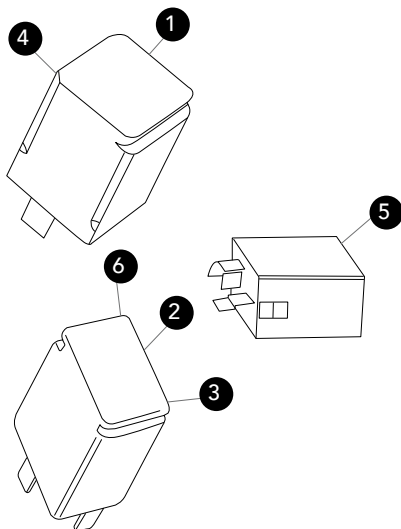
Automatic XR828185 1

Manual XR828186 1



ELECTRICAL COMPONENTS

RELAYS



1. Relay

Full ISO - 40amp C2C34433 A/R

2. Relay

Half ISO - 20amp C2Z5068 A/R

3. Relay

Grey-Basic C2P11143 A/R

4. Relay

Electronic - Black - 40amp C2C34433 A/R

Multiple Function - 20amp C2S44654 A/R

From VIN N79701

5. Relay

Multiple Function - Micro Plug In C2Z5068 8

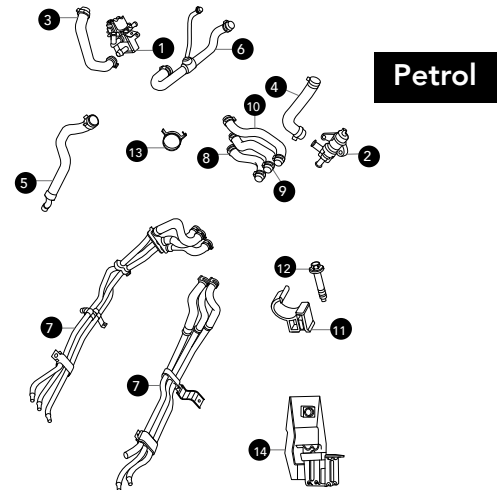
6. Relay

H.I.D/Xenon Headlight Pack C2Z5068 1

AIR CONDITIONING & HEATING HEATER VALVE

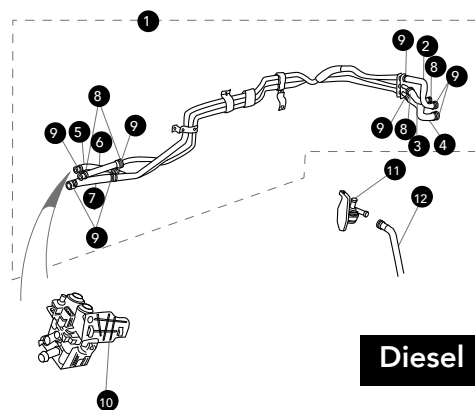
Water Valve, Pump & Hoses - Petrol

1. Water Valve			
To VIN M45254	XR822975	1	
From VIN M45255	XR840091	1	
2. Air Con Water Pump			
4.0 Litre	XR82523	1	
4.2 Litre	C2C6517	1	
4.2 Litre Supercharged	C2C6517	1	
3. Water Hose			
4.0 Litre	XR81518	1	
4. Pump to Engine Water Hose			
4.0 Litre	XR82873		
4.2 Supercharged			
To VIN N52047	XR851819	1	
From VIN N52048	XR850362	1	
5. Water Hose			
4.0 Litre	AJ81441	1	
6. Water Hose			
3.0 Litre	XR813929	1	
7. Heater Pipes			
LHD			
To VIN M45254	XR811934	1	
From VIN M45255	XR857523	1	
RHD			
To VIN M45254	XR811935	1	
From VIN M45255	XR857524	1	
8. Heater Feed Hose			
To VIN M45254	XR87492	1	
4.2 Supercharged	XR841800	1	
9. Heater Return Hose			
To VIN M45254	XR87491	1	
From VIN M45255	XR850719	1	
10. Heater Hose			
To VIN M45254	XR87490	1	
From VIN M45255	XR850720	1	
11. Pipe Clip			
RHD	XR813269	1	
12. Mounting Bolt			
From VIN M45255	XR826192	1	
13. Hose Clamp			
From VIN M45255	XR836587	1	
14. Valve to Crossmember Mounting Bracket	XR81520	1	

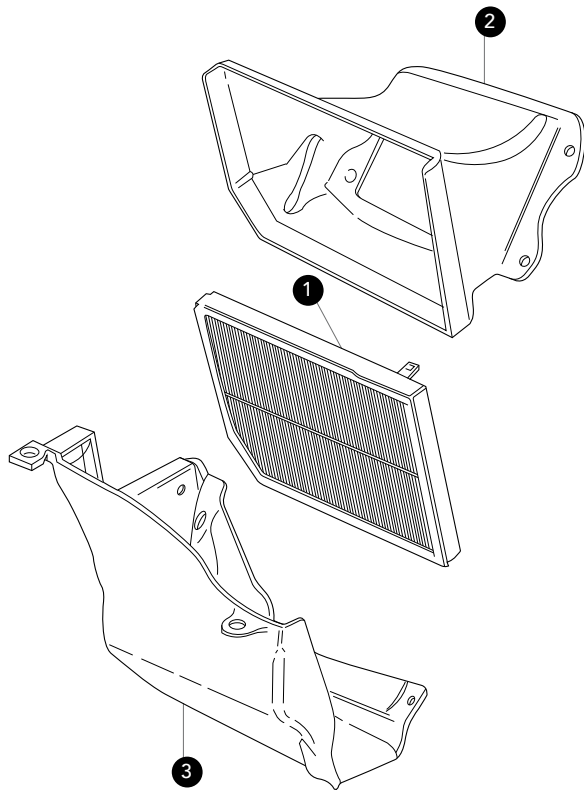


Water Valve, Pump & Hoses - Diesel

1. Heater Hose			
LHD	XR843306	1	
RHD	XR843307	1	
2. Heater Feed Hose			
LHD	XR848256	1	
RHD	XR848259	1	
3. Heater Feed Hose			
LHD	XR848255	1	
RHD	XR848258	1	
4. Heater Feed Hose			
LHD	XR848254	1	
RHD	XR848257	1	
5. Heater Feed Hose	XR848252	1	
6. Heater Feed Hose	XR848253	1	
7. Heater Feed Hose	XR848260	1	
8. Hose Clamp	XR833943	4	
9. Hose Clamp	XR833942	8	
10. Heater Water Valve	XR843549	1	
11. Water Pump			
Auxillary Heater	XR852051	1	
12. Coolant Return Hose	XR839207	1	



AIR CONDITIONING & HEATING AIR PARTICULATE FILTER



1. Air Particle Filter

To VIN M45254

LHD XR838396 1

RHD XR841123 1

From VIN M45255

Odour & Pollen XR849205 1

2. Air Distribution Box Vent

LHD

To VIN M45254 XR82525 1

From VIN M45255 XR819377 1

RHD

To VIN M45254 XR852526 1

From VIN M45255 XR819379 1

3. Air Distribution Box Vent

2.7 Turbo Diesel

LHD XR851902 1

RHD to VIN N33587 XR851903 1

RHD from VIN N33588 XR851904 1

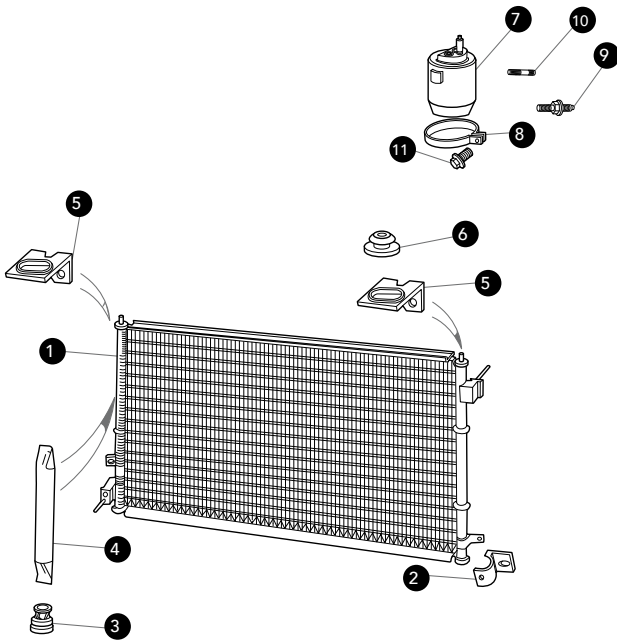
Except 2.7 Turbo Diesel

LHD XR843233 1

RHD XR829299 1

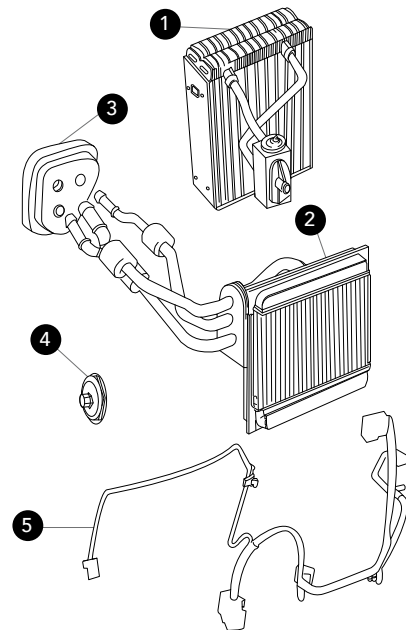


AIR CONDITIONING & HEATING AIR CON SYSTEM



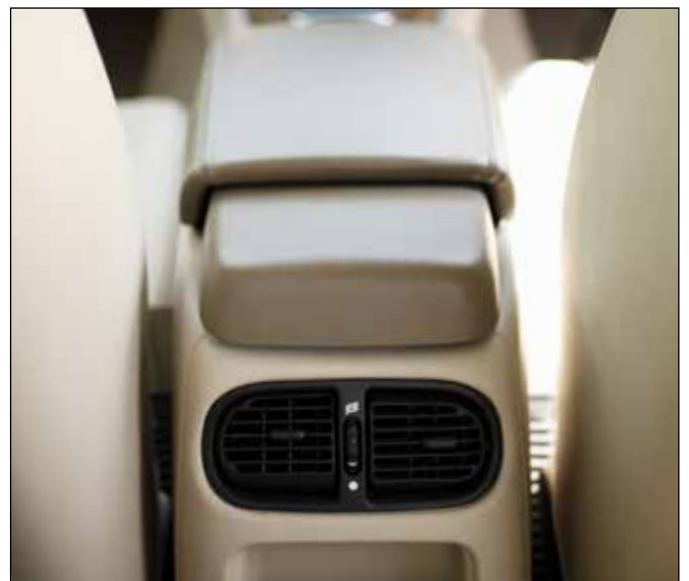
Condenser & Receiver Drier

1. Condenser			
2.7 Turbo Diesel	C2Z20464	1	
Except 2.7 Turbo Diesel			
To VIN M45254	XR854219	1	
From VIN M45255	XR856373	1	
2. Bracket			
Except 2.7 Turbo Diesel			
To VIN (M00999)			
LH	XR83801	1	
RH	XR87059	1	
3. Filter			
From VIN M45255	XR828840	1	
4. Desiccant Bag			
Without drain plug	XR828836	1	
5. LH Upper Condenser Bracket			
To VIN M45254	XR83802	1	
6. Insulator			
To VIN M45254	XR83819	1	
7. Receiver Drier			
To VIN M45254	XR854220	1	
8. Drier Bottle Bracket			
To VIN M45254	XR83818	1	
9. Fastener Stud	XR83837	1	
10. Condenser Mounting Stud			
2.7 Turbo Diesel	XR81769	2	
11. Screw/Washer	XR811289	1	

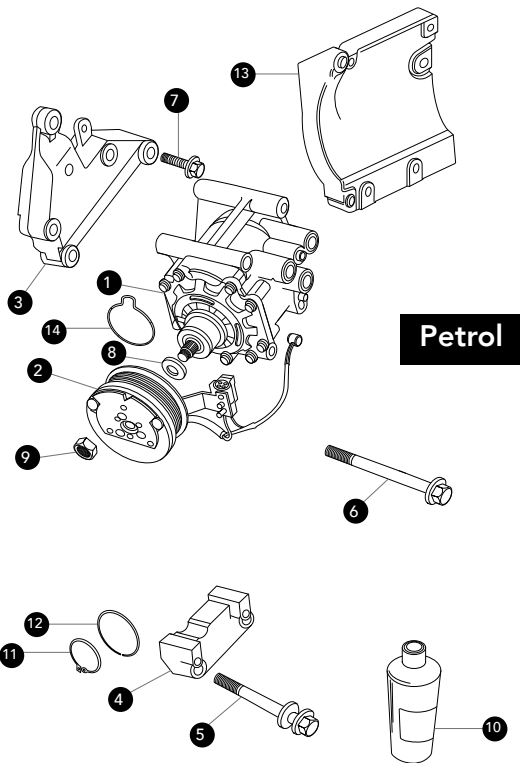


Evaporator/Heater Matrix

1. Evaporator Core	XR855744	1
2. Heater Core		
LHD	XR83002	1
RHD	XR83003	1
3. Dash Panel Seal	XR83698	1
4. Special Nut	XR815360	3
5. Air Conditioning Harness		
LHD	XR856333	1
RHD	XR856334	1



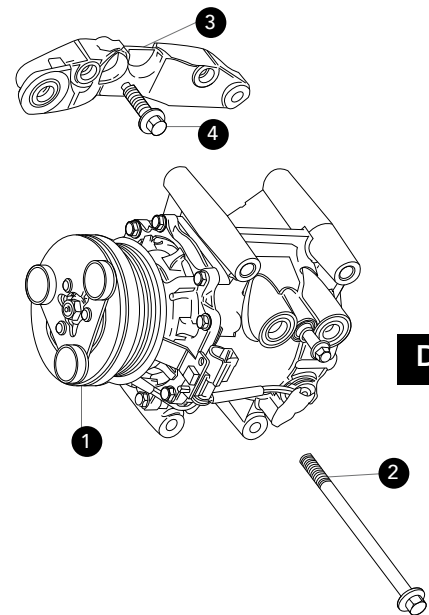
AIR CONDITIONING & HEATING AIR CON SYSTEM



Compressor - Petrol

1. Compressor			
V6 Engines	XR858532	1	
V8 Engines	AJ812568	1	
2. Compressor Clutch			
Not Available Separately	See Item 1		
3. Compressor Mounting Bracket			
3.0 Litre	XR85303	1	
4. Compressor Mounting Bracket			
4.0 Litre	NRA5000AA	1	
5. Bolt			
4.0 Litre			
To VIN N65077	XR856282	2	
From VIN N65078	C2S26056	2	
6. Compressor Mounting Bolt			
M8 x 109mm	XR827834	4	
M8 x 115mm	JZB100092	3	
7. Mounting Bolt			
3.0 Litre	XR85350	3	

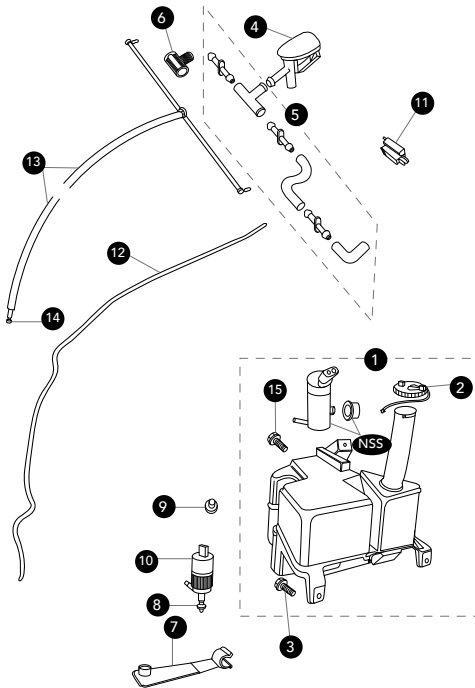
8. Spacer			
0.40mm	XR83786	A/R	
0.50mm	XR81287	A/R	
0.60mm	XR81288	A/R	
0.70mm	XR81289	A/R	
0.80mm	XR81290	A/R	
0.90mm	XR81291	A/R	
1.00mm	XR81292	A/R	
9. Clutch to Compressor Nut	C2S33677	1	
10. Compressor Oil			
4.2 Litre			
250cc - ND8	JLM12260	1	
Except 4.2 Litre			
100ml	XR83680	1	
11. Retaining Ring	XR816681	1	
12. Retaining Ring	XR816682	1	
13. Compressor Mounting Bracket			
4.2 Litre & 4.2 Supercharged	C2C39512	1	
14. O-Ring	XR81342	1	



Compressor - Diesel

1. Compressor	XR858532	1	
2. Hexagonal head flanged bolt	XR837042	4	
3. Compressor Mounting Bracket	C2D4892	1	
4. Flanged Head Screw	C2Z1856	2	

WASHER & WIPER SCREENWASH

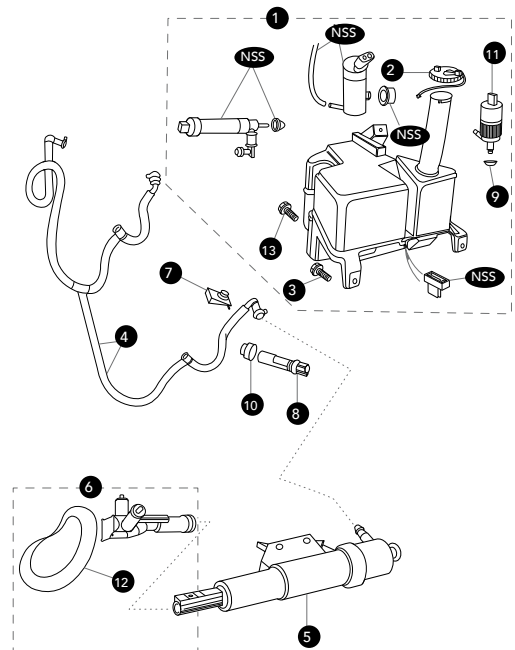


Screenwash: Not HL Powerwash

1. Screenwash reservoir assembly	XR850709	1
2. Reservoir cap	XR84747	1
3. Screw/washer M6 x 20mm	XR81610	1
4. Screenwash jet, to VIN N13088		
Black	XR818406PDT	2
Natural	XR89359XXX	2
5. Screenwash hose (T-piece to jet)	XR818350	1
6. Retaining clip	XR88506	2
7. Hose support clip on bonnet	XR814046	1
8. Pump seal, from VIN N11971	C2S4603	1
9. Sensor grommet from VIN N11971	C2S4604	1
10. Screenwash pump, from VIN N11971	C2S4065	1
11. Screenwash jet, from VIN N13089		
LHD	C2C4762	1
RHD	C2C4763	1
12. Screenwash hose, from VIN N13089 (pump to jet)	XR850712	1
13. Screenwash hose, engine bay assembly		
LHD	XR848262	1
RHD	XR848263	1
14. Bonnet hinge hose clip, from VIN M21289	XR830492	1
15. Bolt & washer, from VIN L43170	XR848060	3

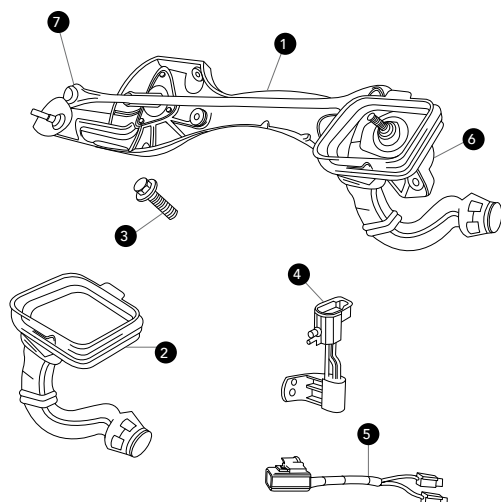
Screenwash with Powerwash

1. Screenwash/powerwash reservoir		
To VIN N13088	XR850710	1
From VIN N13089	XR850711	1
2. Reservoir cap	XR843755	1
3. Screw/washer M6 x 20mm	XR81610	3
4. Headlamp powerwash hose	XR822880	1
5. Headlamp powerwash jet		
LH headlamp	XR82211	1
RH headlamp	XR82210	1
6. Powerwash jet housing		
LH headlamp		
To VIN N13088	XR82212	1
From VIN N13089	XR856381XXX	1
RH headlamp		
To VIN N13088	XR82213	1
From VIN N13089	XR856382XXX	1
7. Spring nut M6	C2C26895	A/R
8. Fluid level sensor		
From VIN N11971	XR843756	1
9. Pump seal, from VIN N11971	C2S4603	1
10. Sensor grommet, from VIN N11971	C2S4604	1
11. Screenwash pump, from VIN N11971	C2S4065	1
12. Jet cover		
LH headlamp	XR856387XXX	1
RH headlamp	XR856386XXX	1
13. Bolt & washer, from VIN L49200	XR848060	3



WASHER & WIPER

WINDSCREEN WIPER MOTOR



1. Wiper motor only	XR857520	1
2. Drain hose		
LHD	XR813430	1
RHD	XR813431	1
3. Screw/washer M6 x 27mm	C2S45005	4
4. Wiper motor suppressor	XR851749	1
5. Harness link lead	XR851892K	1
6. Windscreen wiper motor, exchange	XR857520E	1
7. Wiper motor linkage		
LHD	XR857521	1
RHD	XR857522	1

WASHER & WIPER

WIPER ARMS & BLADES

1. Wiper arm			RHD		
LHD Driver's side	XR852222	1	LH Passenger side		
LHD Passenger side	XR852224	1	To VIN M36419	XR87200	1
RHD Driver's side	XR852223	1	VIN M36420 to VIN N13088	XR837238	1
RHD Passenger side	XR852225	1	From VIN N13089	XR850991	1
2. Wiper blade			RH Driver's side		
LHD			To VIN M36419		
With foil, with bonnet jet			With foil	XR812133	1
LH Driver's side			Without foil	XR87202	1
To VIN M35842	XR812132	1	VIN M36420 to VIN N13088		
VIN M35843 to VIN N13088	XR832336	1	With foil	XR832337	1
Without foil, with bonnet jet			From VIN N13089	C2C25324	1
To VIN M35842	XR87196	1			
With arm jet					
LH Driver's side					
from VIN N13089	XR850990	1			
RH Passenger side	C2C25323	1			
With bonnet jet					
RH Passenger side					
To VIN M35842	XR87198	1			
From VIN M35843	C2C9451	1			

WASHER & WIPER WIPER ARMS & BLADES

3. Windscreen wiper rubber

LHD

To VIN M35842

Kit JLM20949 1

From VIN M35843

Driver's side C2C25330 1

Passenger side C2C25329 1

RHD

To VIN M36419

Kit JLM20949 1

From VIN M36420

Driver's side C2C25330 1

Passenger side C2C25329 1

4. Wiper arm cap XR87211 2

5. Flanged nut, to VIN N13088 XR82478 2

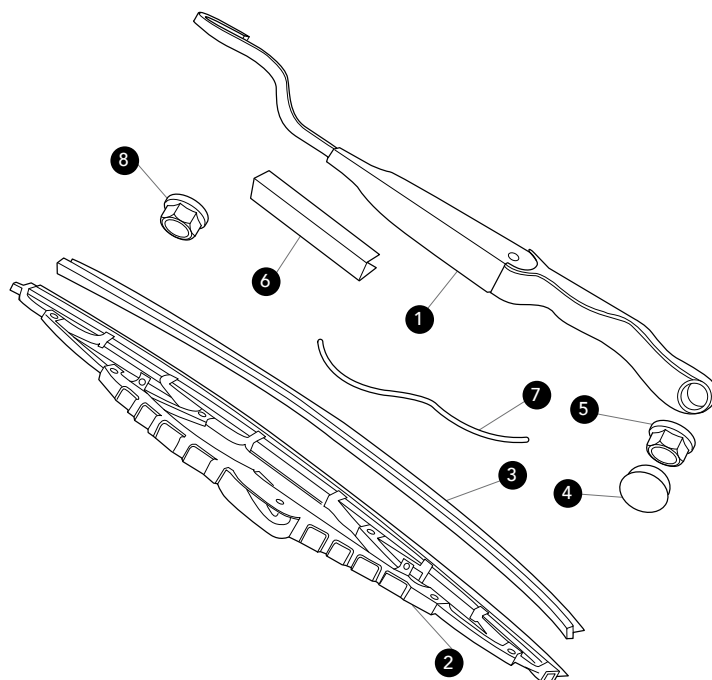
6. Hose clip C2C24374 A/R

7. Washer tube XR848261 1

8. Nut M8

From VIN N13 to N69994 JFN10804B 2

From VIN N69995 C2Z1312 2



SERVICE ITEMS

AIR FILTER

Diesel	AJ82766	1
Petrol		
To VIN M45254	XR88237	1
From VIN M45255	AJ82766	1

FUEL FILTER

Diesel	XR857585	1
Petrol	C2Z7738	1

OIL FILTER

Diesel	C2S29685	1
V6 Petrol	XR858593	1
V8 Petrol	C2C41611	1

AIR PARTICLE FILTER

To VIN M45254		
LHD	XR838396	1
RHD	XR841123	1
From VIN M45255	XR849205	1

SPARK PLUG

V6 Petrol	C2S46895	6
V8 Petrol	C2A1535	8

BULB KIT

To VIN M94764	JLM20851	1
From VIN M94765	C2S31481	1

ACCESSORIES

OVERMAT SETS

Over Mat Set Black	OMS/1R	1
Over Mat Set Beige	OMS/8R	1
Over Mat Set Beige, Auto		
From VIN M45255	OMSA/8R	1

WHEEL ACCESSORIES

Locking Wheel Nut Set	C2C9198	1
Wheel Badge		
Silver on Green	C2C30080	4
Silver on Black	C2C30081	4

MESH GRILLES

Radiator Mesh Grille		
To 2003MY	MESH005	1
From 2003MY	MESH008	1

MUD FLAP KITS

Front Mud Guard Kit:		
Except 4.2 Supercharged		
To VIN N13088	XR828879	1
From VIN N13088	XR853820	1
Rear Mud Guard Kit:		
To VIN N13088	XR828885	1
From VIN N13088	XR847311	1



LUBRICANTS & CLEANING PRODUCTS

MORRIS® LUBRICANTS

We stock a full range of quality Morris Lubricants (blending oils in Shrewsbury since 1869) that are entirely suitable for both the classic and current Jaguar range.

Dextron 2 ATF	5 Litre	MOR014
Dextron 2 ATF	1 Litre	MOR015
EP80/90	Gear Oil - 5 Litre	MOR020
EP80/90	Gear Oil - 1 Litre	MOR021
LSD	Gear Oil - 5 Litre	MOR022
Oil 10W/50	Comp Semi Synthetic	MOR023
Mineral oil	1 Litre	MOR025
Brake fluid	Dot 4 -1 Litre	MOR027
Brake fluid	Dot 4 - 500 ML	MOR028
Carb cleaning spray		MOR029
MD4	Maintenance Spray	MOR030
Pavan	Degreaser	MOR031
Prima	Silicone Spray	MOR032
Prise	Anti Seize Spray	MOR033
Solvent brake cleaner		MOR034
LM grease	500gm tin	MOR035
Copper slip	500gm tin	MOR036
Oil V6/V8/2.7D	1 Litre	MOR043
Diff Oil 80W/40	5 Litres	MOR044
Liquimatic ATF	5 Litres	MOR045
Rubber Grease	500gm Tin	RUBBERGREASE

MORRIS

LUBRICANTS



CLEANING PRODUCTS

Gliptone® Leather Conditioner	250ml	CH5001
Gliptone® Liquid Leather Cleaner	250ml	CH5002
OEM Jaguar Car Body Shampoo	500ml	C2A1016
OEM Jaguar Wax Polish Liquid	500ml	C2A1017
OEM Jaguar Glass Cleaner	500ml	C2A1023

CHROME ENHANCEMENTS



1. DOOR HANDLE COVERS (not illustrated)

1998-2008 ST/DHC/P

2. FOG LAMP RIMS

1998 - 2003 ST/FLR/P

2003 - 2008 ST/FLR/P/1

3. HEAD LAMP RIMS

1998 - 2004 ST/HLR/SET

2004 - 2008 ST/HLR/SET/1

4. LEAPING JAGUAR

XR82202#

5. MIRROR COVERS

1998 - 2002 ST/MC/P

2004 - 2008 ST/MC/P/1

6. REAR LAMP RIMS

1998 - 2003 ST/RLR/P

2004 - 2008 ST/RLR/P/1

7. SIDE LAMP RIMS

1998 - 2003 ST/SLR/P

2004 - 2008 ST/SLR/P1

A			
AIR CLEANERS	52		
AIR CON SYSTEM			
Compressor	116		
Condenser & Receiver Drier	115		
Evaporator/Heater Matrix	115		
AIR FILTER	120		
AIR PARTICULATE FILTER	114		
ANTI LOCK BRAKING	76		
ANTI-ROLL BARS	77		
B			
BODY PANELS			
Bonnet, Wing, Door and Trunk/Boot Lid	89		
Wheelarch Liners	90		
BRAKE/CLUTCH PEDAL	74, 75		
BRAKE DISCS			
Front Discs & Calipers	68, 69, 70		
Rear Discs & Calipers	71, 72		
BRAKE FLUID	121		
BRAKE PADS			
Greenstuff	69		
BRAKE SERVO	73		
BULB KIT	120		
BUMPERS			
Front Bumpers	92, 93, 94, 95		
Rear Bumpers	96, 97		
C			
CAMSHAFTS			
Camshaft Cover	6, 19, 34		
Exhaust Camshaft	4, 5, 18, 34		
Inlet Camshaft	4, 5, 18, 34		
CHROME	122		
CLEANING PRODUCTS	121		
CLUTCH	65		
CLUTCH MASTER	61		
COMPRESSOR	116		
CONDENSOR	115		
CONNECTING RODS	7		
COWLS	48		
CRANKSHAFT	8, 22		
CROSSBEAM	81		
CYLINDER HEAD	9, 23, 35		
D			
DAMPERS	80		
DIFFERENTIAL	66		
DOOR GLASSES	99		
DOOR HANDLE COVERS	122		
		DOOR HANDLES & LOCKS	
		100	
		101	
		98	
		91	
		10, 24, 36	
E			
		88	
		37	
		10, 25, 37	
		108, 109	
		84	
		84, 85	
		87	
		87	
		86	
		43	
		43	
F			
		48	
		65	
		122	
		120	
		55	
		54	
		56, 57	
G			
		63	
		62, 63	
		62	
		64	
		107	
		120	
H			
		67	
		67	
		122	
		113	
		81	

INDEX

I

IGNITION

- Glow Plug 107
- Spark Plug & On Plug Coil 106

INERTIA SWITCH 107

INJECTORS 58, 59

L

LAMP RIMS

- Rear Lamp Rims 122
- Side Lamp Rims 122

LAMPS

- Fog lamp 103
- Headlamp Assembly 102
- Interior Lamps 105
- Map Lamp & Roof Console 105
- Numberplate Lamp Assembly 104
- Rear Lamp Assembly 104
- Side Marker/Repeater Lamps 103

LEAPING JAGUAR 122

LEATHER CLEANERS 121

LUBRICANTS 121

M

MANIFOLDS

- Exhaust Manifold 11, 26, 38
- Induction Manifold 28, 39
- Inlet Manifold 12, 13, 27
- Turbocharger 38

MASTER CYLINDER 73

MIRROR COVERS 122

MOUNTINGS

- Engine Mounting 10, 25, 37

MUD FLAP KITS 120

O

OIL 121

OIL COOLER 14, 29

OIL COOLING NOZZLE 40

OIL FILTER 14, 30, 40, 120

OIL PUMP 15, 31, 41

OIL SUMP

- Dipstick 15, 31, 41
- Oil Sump Body 31, 41
- Oil Sump Pan 15, 31, 41, 65

OVERMAT SETS 120

OXYGEN SENSOR 87

P

PARKING AID 110

PISTONS 7, 21

POWER STEERING PUMP 78

R

RADIATORS

Radiator Hoses 46, 47

Radiator & Mountings 44, 45

Supercharger Radiator 45

REAR FRAME CARRIER 82

REAR HUB & CARRIER 82

RELAYS 112

S

SCREENWASH 117

SENSORS 108, 109

SERVICE ITEMS 120

SLAVE CYLINDER 61

SPARK PLUGS 106, 120

SPRINGS 80

STEERING RACK 79

SUPERCHARGER 60

SWITCHES

Cigar Lighter Switch 111

Ignition Switch 111

Speed Control Switch 112

Steering Column Switch 111

T

TAPPET ADJUSTMENT SHIMS 20

THERMOSTATS 50, 51

THROTTLE PEDAL 53

TIMING CHAINS

Primary Timing Chain 32

Secondary Timing Chain 32, 33

Timing Chain Kits 16, 42

Timing Cover 17, 33, 42

V

VERTICAL LINK 81

W

WATER HEATER 51

WATER PUMPS 49

WATER RAIL 50, 51

WATER VALVE 113

WHEELS

Locking Wheel Nut Set 120

Wheel Badge 120

WINDSCREEN WIPER MOTOR 118

WIPER ARMS & BLADES 118, 119

WISHBONES

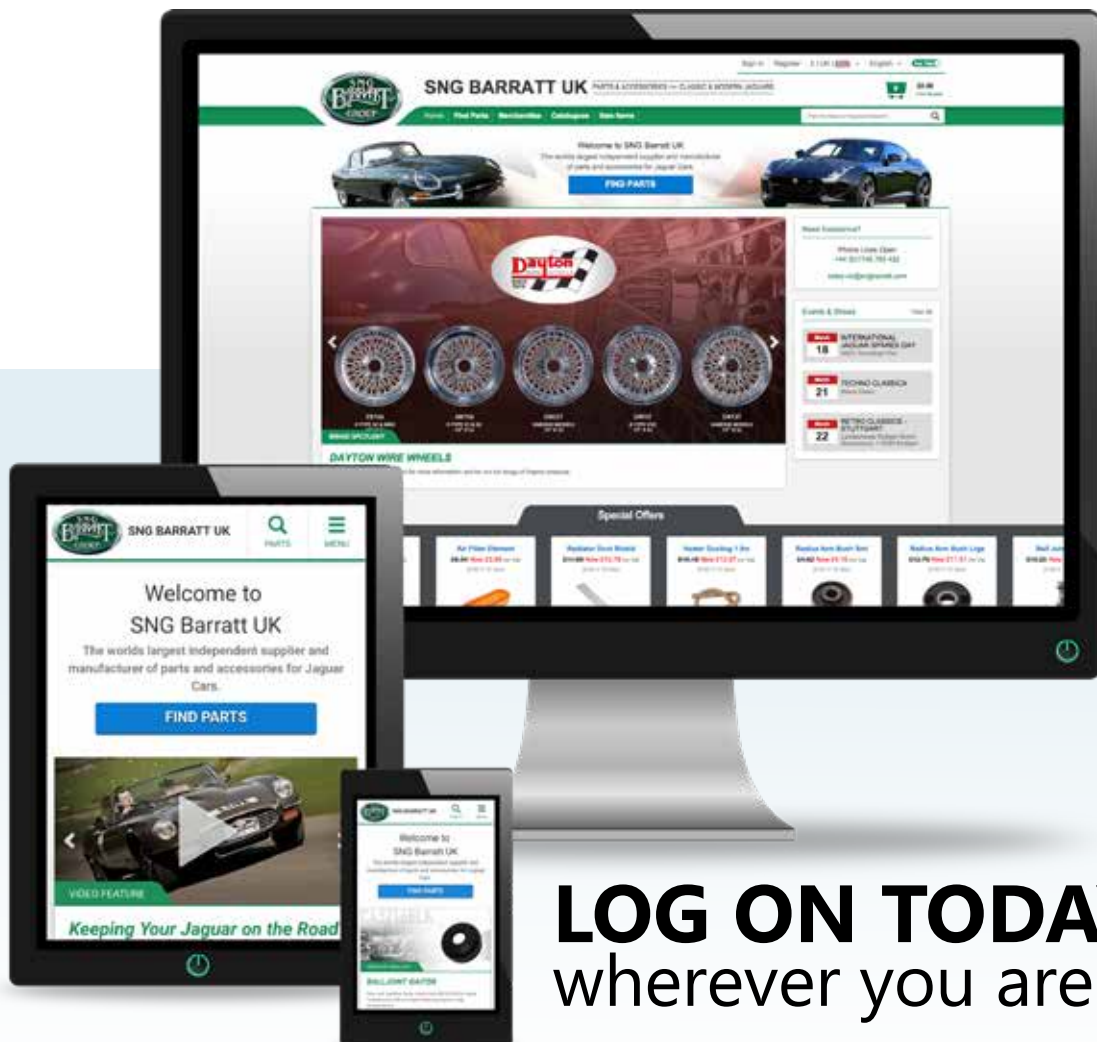
Front Wishbone Assembly 83

Rear Wishbone Assembly 83



Order your parts online...

- ✓ Modern and dynamic look
- ✓ Easier and faster Parts Finder for easier ordering
- ✓ Updated illustrations for E-Type and XK
- ✓ Multi-lingual including French, Dutch and German
- ✓ Phone and tablet compatible



LOG ON TODAY
wherever you are

www.sngbarratt.com

ALL MODELS COVERED • UPGRADES • PARTS MADE IN HOUSE
OVER 50,000 PARTS AVAILABLE • EASY ONLINE ORDERING

S·N·G
BARRATT
GROUP

www.sngbarratt.com