

S·N·G
BARRATT
GROUP



MK2

INCLUDES S-TYPE
& V8 DAIMLER

THE PARTS COLLECTION

FIND US...

With over 30 years experience in supplying Jaguar parts, SNG Barratt Group are the World's largest independent specialists, with a Head Office in the UK and branches in the USA, France and Holland. We stock and supply parts for Jaguar cars from 1949 right through to the present day.



SNG BARRATT LTD
BRIDGNORTH, UNITED KINGDOM

T: +44 (0)1746 765432 E: sales.uk@sngbarratt.com



SNG BARRATT USA
NEW HAMPSHIRE, USA

T: +1 800 452 4787 E: sales.usa@sngbarratt.com



SNG BARRATT FRANCE
CHARNEY-LES-MACON

T: +33 (0)3 85 20 14 20 E: france@sngbarratt.com



SNG BARRATT NL
OISTERWIJK

T: +31 (0)1352 11 552 E: sales.nl@sngbarratt.com



SNG BARRATT GERMANY
OISTERWIJK, NL

T: 018 01 833 833 (DE only) E: sales.de@sngbarratt.com

ALL INCLUDED IMAGES & DATA
© SNG BARRATT GROUP LTD. 2018

KEEPING JAGUARS PURRING

ALL OVER THE WORLD

EXPERIENCE, KNOWLEDGE
& EXPERT ADVICE

MULTILINGUAL STAFF TO HELP
CUSTOMERS WORLDWIDE

EXTENSIVE WAREHOUSES

1-2 DAY SHIPPING

24 HOUR ONLINE ORDERING &
UP-TO-DATE STOCK AVAILABILITY

INTERACTIVE PARTS SEARCH
& FREE CATALOGUES



WELCOME TO THE SNG BARRATT JAGUAR MK2 PARTS CATALOGUE

Following the Worldwide success of our Definitive Jaguar Owners Catalogue which covers over 20 classic models in one 300 page publication, we have taken the decision to release a range of more detailed catalogues for each of the more popular models that we cover. This will allow us to better illustrate the parts we have available and to make identification of the item required a little easier.

HOW TO USE THIS CATALOGUE...

Use the illustration in each section to identify the component that you require. Note the indicated item number and find the corresponding number in the section listing. There you will see our part number for that item, the description and to its right the quantity required per car. Very often this will be the original Jaguar part number, thus allowing you to refer to an original factory parts catalogue if more detail is required.

Each part number is listed in our price list. This listed price is per item and is plus VAT (or BTW or Mwst where applicable), except in the case of books and other VAT exempt items.

If you then quote this part number when contacting our sales department, we will be able to confirm the cost and whether we have the part in stock.

If you cannot conclusively identify the item that you require then please call and we will assist you. Our staff have many years of experience with all aspects of the Jaguar marque and may have just the answer...

SNG Barratt Jaguar MK2, V8 & S-Type Parts Catalogue
2.4/3.4/3.8 Oil Pump
Buy on-line at www.sngbarratt.com

Item number	Description	Part number	Quantity required per car
1.	Oil pump drive shaft Woodruff key	C8646 C753	1
2.	Drive shaft bush	C8647	1
3.	Oil pump gear washer	C2393	1
4.	Oil pump gear	C2152	1
5.	Oil pump gear lock washer	C2151	1
6.	Oil pump gear lock nut	NT609041	1
12.	Oil pump assembly* (* Please use ENG105 adaptor when fitting this pump to early engines.)	POL708	1
	High flow alternative	C21765/2HP	1
	High capacity alternative	C21765/2HC	1
13.	Bracket	C28367 RH C28368 LH	1
14.	Sealing ring	C8649	1



YOUR CUSTOMER NUMBER

Upon dealing with SNG Barratt for the first time you will be allocated a customer number. In most cases this will be your UK postcode or in the USA your telephone number. However if you are outside the UK/USA your sales advisor will use either your postal area code or a number devised using your surname. This customer number can either be found on your invoice or simply by asking the person serving you. The ability to provide your customer number when contacting our sales department will allow us to access your information far faster and serve you even more efficiently.

Customer number.....

YOUR VEHICLE DETAILS

Please complete this section as accurate vehicle information at your finger tips will prove to be invaluable. Very often identifying the correct part for your car can be all down to chassis or engine number. These details can best be found on the car itself, as registration documents can often prove to be incorrect due to engine swaps and vehicle upgrades that the DVLA have not been advised of. Please refer to the Vehicle Identification section on page 2 if you wish to cross reference any information.

Year of manufacture.....

Chassis number.....

Engine 2.4 / 2.5 / 3.4 / 3.8

Engine number.....

Gearbox Automatic / Manual

VEHICLE IDENTIFICATION

	<u>Chassis Number</u>	<u>Engine Number</u>	<u>Production Commenced</u>	<u>Production Ceased</u>
<u>MK2 2.4</u>				
RHD	100001	BG1001/BH1001/BJ1001	1959	1967
LHD	125001	-		
<u>MK2 240</u>				
RHD	1J1001	7J1001	1967	1969
LHD	IJ30001	-		
<u>MK2 3.4</u>				
RHD	150001	KG1001/KH1001/KJ1001	1959	1967
LHD	175001	-		
<u>MK2 3.8</u>				
RHD	200001/230001	LA1001/LB1001/LC1001/LE1001	1959	1967
LHD	210001	-		
<u>MK2 340</u>				
RHD	IJ50001	7J50001	1967	1968
LHD	IJ80001	-		

MK2



240/340



S-TYPE 3.4

RHD	1B1001	7B1001	1963	1968
LHD	1B25001	-		

S-TYPE 3.8

RHD	1B50001	7B50001	1963	1968
LHD	1B75001	-		

S-TYPE



V8



DAIMLER V8 2.5

RHD	1A1001	7A1001	1962	1967
LHD	1A20001			

DAIMLER V8 250

RHD	1K1001	7K1001	1967	1969
LHD	1K30001			

Engine

2.4/3.4/3.8 Engine Block	4
2.4/3.4/3.8 Oil Pump	7
2.4/3.4/3.8 Water Pump	8
2.4/3.4/3.8 Oil Filter	9
2.4/3.4/3.8 Cylinder Head	10
2.4/3.4/3.8 Timing Gear	12
Daimler V8 Engine	13
SU Carburettors & Air Filters	14

Transmission

Clutch Mechanism	17
2.4/3.4/3.8 Manual Gearbox	18
Automatic Gearbox	19
Propshaft	19
MK2 & V8 Rear Axle	20
S-Type Differential	21

Brakes, Suspension & Steering

Front Suspension	22
MK2 & V8 Rear Suspension	24
S-Type Rear Suspension	25
MK2 & V8 Brakes	27
Early S-Type Brakes	28
Late S-Type Brakes	29
S-Type Handbrake Calipers	30
Braking System Components	31
Roadwheels	33
Steering	34

Cooling, Exhaust & Fuel Systems

Cooling System	35
MK2 Exhaust Systems	36
S-Type & V8 Exhaust Systems	37
Fuel System	38

Body & Body Fittings

MK2, V8, 240 & 340 Body Panels	39
S-Type Body Panels	41
MK2/V8 Body Rubbers	43
S-Type Body Rubbers	45
Body Glass & Badges	47
Bumpers	48
Body Fittings	49

Lighting & Electrical System

MK2 & V8 Lamps & Lighting	51
S-Type Lamps & Lighting	53
Wash Wipe Components	55
Dashboard, Switches & Gauges	56
Wiring Looms	58
General Electrics	59
Oils, Fluids & Consumables	60
Electronic Ignition Conversion Kits	61

Miscellaneous

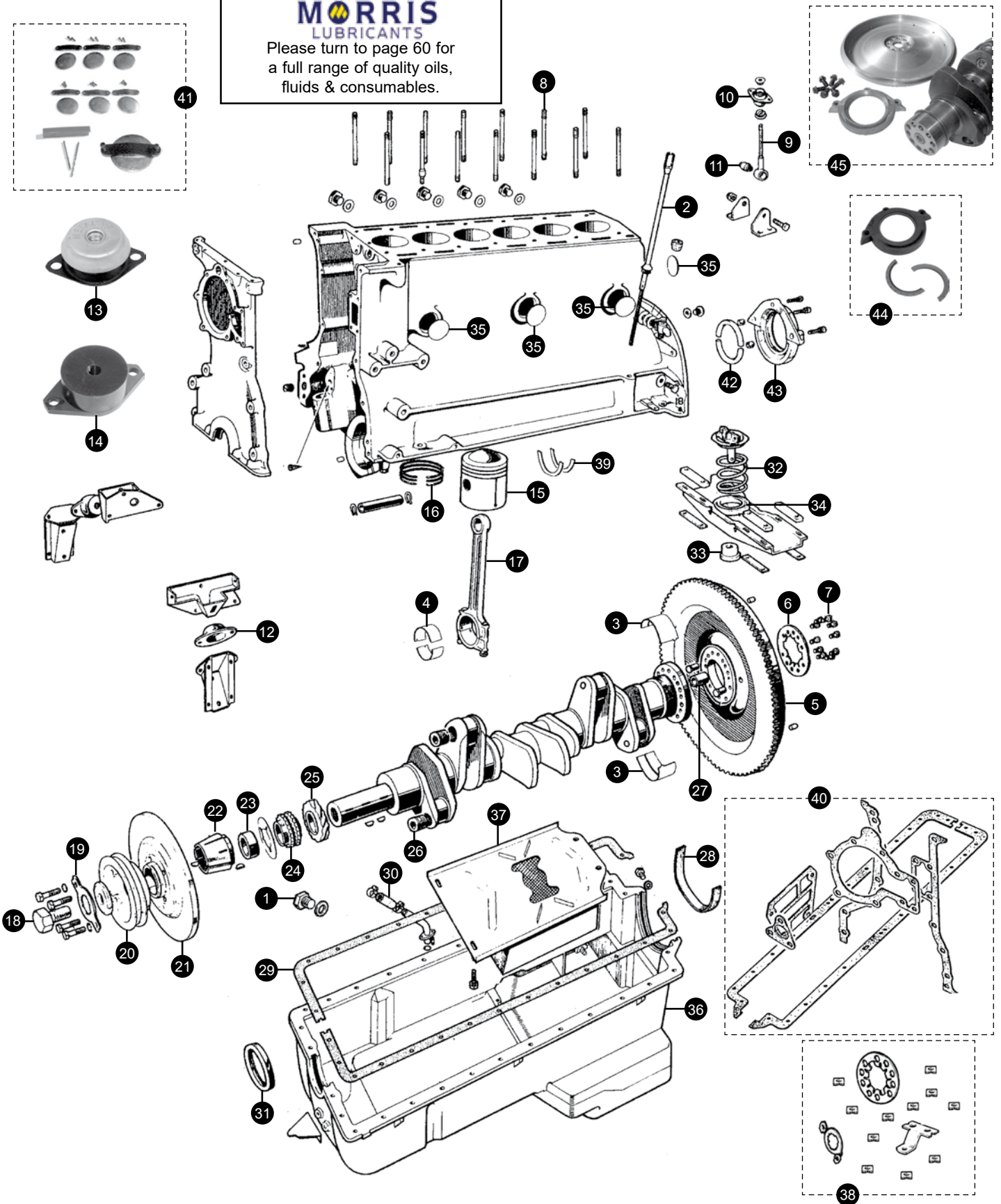
MK2 & V8 Heating System	62
Tools	63
Motifs & Decals	64
Interior Trim	66
Seatbelts	67
Master Index	68



2.4/3.4/3.8 ENGINE BLOCK

MORRIS
LUBRICANTS

Please turn to page 60 for a full range of quality oils, fluids & consumables.



2.4/3.4/3.8 ENGINE BLOCK

1. Sump drain plug	C23435	1
Sump drain plug washer	C2296/1	1

2. Oil level dipstick

MK2 2.4	C12620	1
MK2 3.4/3.8	C17527	1
S-Type	EAC6713	1

3. Crankshaft main bearings

All models	M7118LC	1 set
------------	---------	-------

(Available in Standard to +40 sizes. Simply add required size to partnumber above, i.e. M7118LC/40)

4. Connecting rod bearings

All models	B6545LC	1 set
------------	---------	-------

(Available in Standard to +40 sizes. Simply add required size to partnumber above, i.e. B6545LC/40)

5. Manual gearbox flywheel

MK2 2.4	C23170	1
MK2 3.4/3.8	C14921	1
S-Type	C14921	1

(For ring gear only add suffix RG)

Performance Aluminium Flywheels

Manufactured to the very highest specification our performance aluminium flywheels give a fabulous increase in performance when fitted to either a standard or high performance Jaguar engine. At the same time they offer the benefits of longer engine life, due to the reduced stress exerted on the crankshaft and bearings. This is because of the better moment of inertia characteristics that is possible through the use of aluminium instead of the standard steel, as well as the obvious gains in horsepower.

3.4/3.8 models only	GTJF1	1
---------------------	-------	---

6. Flywheel lock tab

All models	C4810	1
------------	-------	---

7. Flywheel bolts

Manual	C4855	10
Automatic	C6839	10

8. Cylinder head studs

MK2 2.4	BG1001-BG9999 (164mm)	C29035	13
	BH1001-BH9999 (165mm)	C2270	1
	BJ1001-BJ3661		
	BJ3662 on (164mm)	C29035	10
	7J1001 on (173mm)	C23609	3
	175mm	C23610	1
MK2 3.4/3.8	164mm	C29035	10
	S-Type 173mm	C23609	3
	175mm	C23610	1

9. Steady bar

Steady bar washer	C12890	1
plain	C11607	1
threaded	C11688	1
Locking nut	NY606041J	1

10. Steady bar mounting	C20218	1
11. Steady bar eye bush	C10940	1

12. Engine mounting

All models	C18556	2
------------	--------	---

13. Uprated engine mounting

C18556U	2
---------	---

14. Competition solid engine mounting

C18556solid	2
-------------	---

15. Engine piston

2.4		C15673S	6
3.4	8:1	11546	6
3.8	8:1	18393	6
	9:1	20615	6

(Available in Standard to +40 sizes. Simply add required size to partnumber above, i.e. 11546/40)

16. Piston ring set

2.4		NLA	
3.4		R39420	1 set
3.8	8:1	R16586	1 set
	9:1	R32592	1 set

(Please note early 4 ring sets are no longer available.

Available in Standard to +40 sizes. Simply add required size to partnumber above, i.e. R39420/20)

17. Crankshaft connecting rod

2.4		NLA	
3.4/3.8		RTC2995E	1 set

Connecting rod bolt

C32344	12
--------	----

Connecting rod nut

EAC5541	12
---------	----

18. Crankshaft pulley bolt

All models	C5896	1
------------	-------	---

19. Pulley bolt locktab

All models	C2467	1
------------	-------	---

20. Crankshaft pulley

MK2 2.4	BG1001-BG9999	C14721	1
	BH1001-BH3893		
	BH3894-BH5364	C18904	1
	BH5365 on	C19527	1
	BJ6132 on	C24921	1*
	7J1001 on		

(*This is a complete pulley and damper assembly)

MK2 3.4	KG1001-KG9999	C14589	1
	KH1001-KH4022		
	KH4023 on	C19517	1
	1J50001 on 340		
MK2 3.8	LA1001-LA9999	C14589	1
	LB1001-LC1671		
	LC1672 on	C19517	1

2.4/3.4/3.8 ENGINE BLOCK

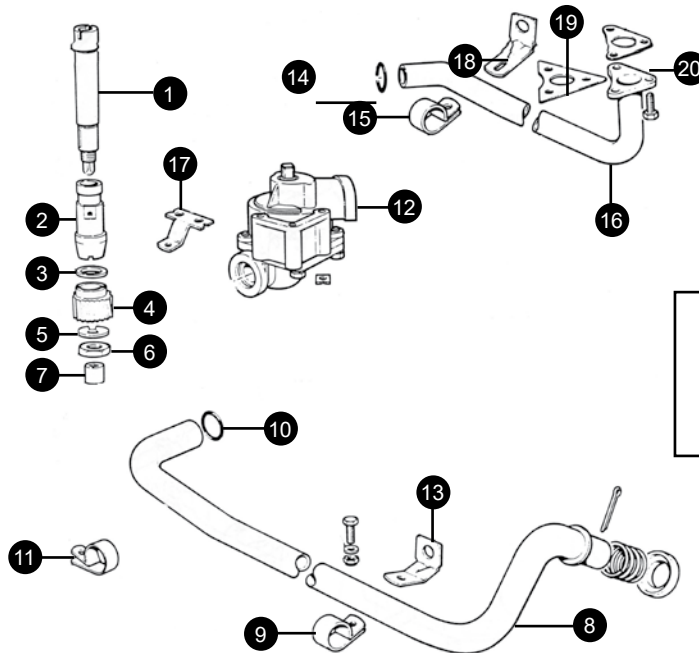
21. Crankshaft damper				Std box	C459021	1
MK2 2.4	BG1001-BG9999 BH1001-BH9999 BJ1001-BJ6131	C12037R	1	3.4	1B2768 on 1B25380 on	
				3.8	1B52998 on 1B76908 on	
MK2 3.4/3.8/340		C15274	1	O/D box	C12299	1
S-Type 3.4/3.8		C15274	1	O/D box	C459021	1
				3.4	1B2192 on 1B25301on	
				3.8	1B52078 on 1B76310	
22. Crankshaft cone				All auto models	C459021	1
23. Distance piece						
24. Timing chain gear						
25. Oil pump drive gear						
26. Crankshaft sludge plug						
27. Spigot bearing						
28. Rear sump oil seal						
Cork		C2302	1	33. Rear engine spring centre bush	C12265	1
Rubber		C36499	1	34. Rear engine spring seat	CBC2517	1
29. Sump gasket						
30. Oil return hose						
31. Front sump oil seal						
32. Rear engine mounting spring (gearbox)						
MK2 2.4	100001-119199	C459021	1	35. Core plug		
Std box	125001-127821			All models	44mm	C315 7
					25mm	C317 1
O/D box	100001-119199 125001-127821	C12299	1	36. Oil sump		
Std & O/D	119200 on 127822 on 1J1001 on 1J30001 on	C12299	1	MK2 2.4	BG1001 - BG5890	C15964 1
				(steel)		
All auto models		C459021	1	MK2 2.4	BG5891 - BG9999 BH1001 - BH9999 BJ1001 - BJ2263	C20003 1
MK2 3.4	150001-169340	C459021	1	MK2 2.4	BJ2264 on	C24502 1
Std box	175001-180187 200001-210000			(alloy)	7J1001 on	
O/D box	150001-169340 175001-180187	C12299	1	MK2 3.4/3.8	3.4 KG1001 - KG4674 3.8 LA1001 - LA7449	C15964 1
Std & O/D	169341 on 180188 on	C12299	1	MK2 3.4/3.8	3.4 KG4675 - KG9999 3.4 KH1001 - KH9999 3.4 KJ1001 - KJ2790	C20003 1
				(steel)		
MK2 3.8	230001-234124	C459021	1		3.8 LA7450 - LA9999 3.8 LB1001 - LB9999 3.8 LC1001 - LC8067	
Std box	210001-224149			MK2 3.4/3.8	3.4 KJ2791 on 3.8 LC8068 on 340 7J50001 on	C24502 1
O/D box	230001-234124 210001-224199	C12299	1	(alloy)		
Std & O/D	234125 on 224150 on	C12299	1	S-Type 3.4/3.8		C24502 1
All auto models		C459021	1	37. Sump filter basket/sump baffle		
S-TYPE 3.4/3.8		C459021	1	For sump C15964	C9166	1
Std box				Retaining cover for C9166	C9171	1
				For sump C20003	C16905	1
				Retaining cover for C16905	C16903	1
				For sump C24502	C25242	1
				38. Engine lock tab set		
				3.4/3.8 only	EN1034	1
				39. Crankshaft thrust washers		
				Standard size	C34744	2
				Oversize 0.004" approx	C347441	2

2.4/3.4/3.8 ENGINE BLOCK

40. Lower engine gasket set			
MK2 2.4	EE532	1	
MK2 240	GEG258	1	
MK2 3.4	EE532	1	
MK2 340	GEG258	1	
MK2 3.8	EE532	1	
S-Type 3.4	EE532	1	
S-Type 3.8	EE532	1	
41. Engine core plug strap kit (supplied complete with drill & tap to enable correct fitment)	C317FK	1	

42. Rear crankshaft rope oil seal	C19654	2	
43. Rear crankshaft oil seal housing	C19687	1	
44. Rear crank oil seal conversion for 6 cyl XK engines.			
Prevents oil loss by replacing original style asbestos rope seal with modern rubber alternative. Crank will require machining to facilitate fitment.			
	C19687CONVMIN	1	
45. Rear crank oil seal conversion for 6 cyl XK engines.			
The very finest rear oil seal conversion available for the XK engine. Requires some engine modification, please ring for more details.			
	C19687CONVMAJ	1	

2.4/3.4/3.8 OIL PUMP

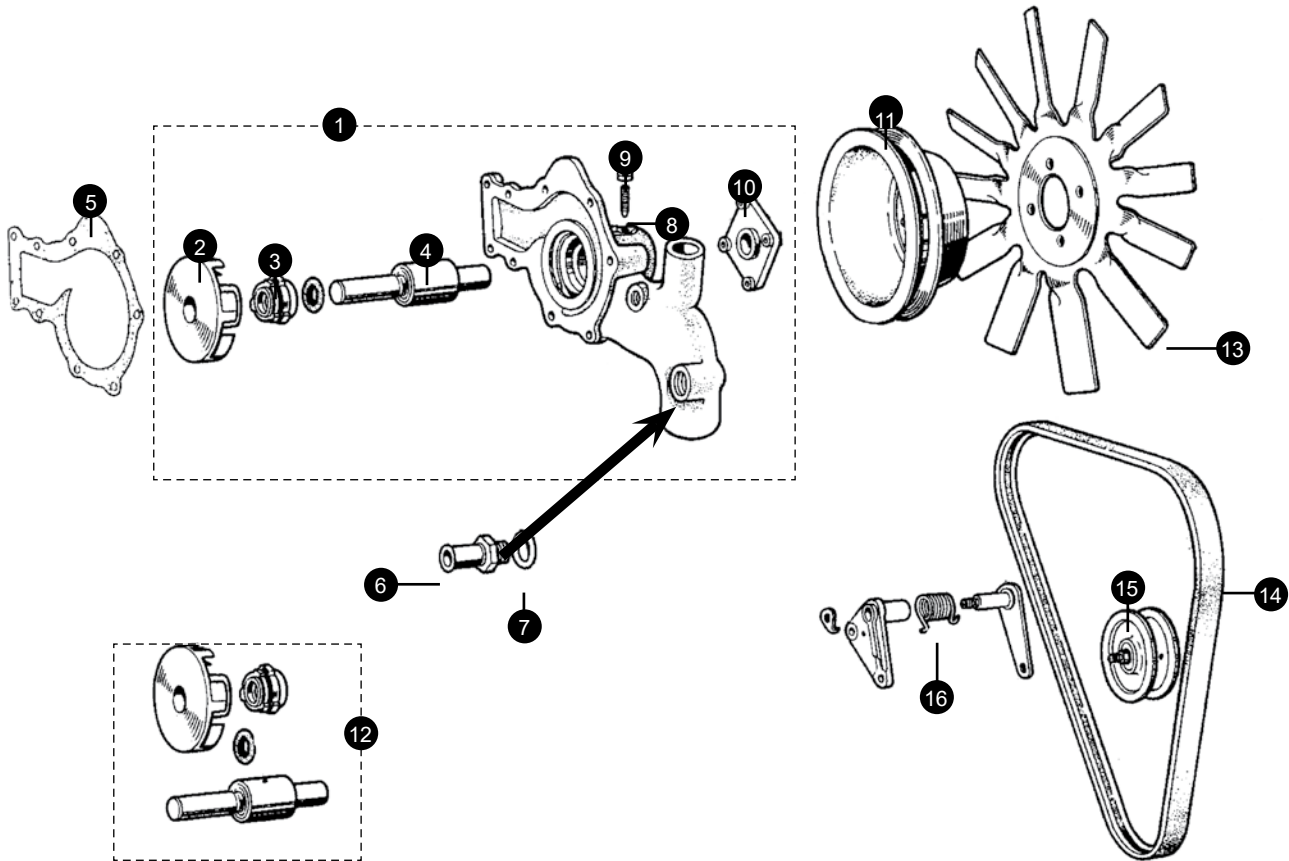


MORRIS
LUBRICANTS
Please turn to page 60 for
a full range of quality oils,
fluids & consumables.

1. Oil pump drive shaft	C8646	1	
Woodruff key	C753	1	
2. Drive shaft bush	C8647	1	
3. Oil pump gear washer	C2393	1	
4. Oil pump gear	C2152	1	
5. Oil pump gear lock washer	C2151	1	
6. Oil pump gear lock nut	NT609041	1	
7. Oil pump drive shaft coupling	C8648	1	
8. Oil suction pipe	C21762	1	
9. Oil suction pipe retaining clip	C21794	1	
10. Sealing ring	C21848	1	
11. Oil suction pipe retaining clip	C21794	1	

12. Oil pump assembly*	C21765/2	1*	
(* Please use ENG105 adaptor when fitting this pump to early engines)			
High flow alternative	C21765/2HP	1	
13. Bracket	C28367 RH	1	
	C28368 LH	1	
14. Sealing ring	C8649	1	
15. Delivery pipe clip	C6824	1	
16. Oil delivery pipe	C22595	1	
17. Oil pump strut	C21793	1	
18. Oil pipe support	C28369	1	
19. Tab washer	C22952	1	
20. Gasket	C22598	1	

2.4/3.4/3.8 WATER PUMP



1. Water pump assembly

All models C15694 1

2. Impellor

All models C22798 1

3. Seal

All models C6773 1

4. Bearing

All 6 cylinder models C8167/1 1

5. Gasket

All models C2303 1

6. Heater outlet adaptor

C17421 1

7. Washer C2296/1 1

8. Locating grub screw C23128 1

9. Locknut NT609041 1

10. Flange C25082 1

11. Pulley

MK2 2.4 BG1001 - BG9999 C14588 or 1
BH1001 - BH5364 C18702

BH5365 on C20176 1
7J1001 on

MK2 3.4 KG1001 - KG9999 C14588 or 1
KH1001 - KH4022 C18702

KH4023 on C20176 1

MK2 3.8 LB1001 - LB9999 C14588/ 1
LC1001 - LC1671 C18702

LC1672 on C20176 1

340 7J50001 C20176 1

S-Type 3.4/3.8 C20176 1

12. Water pump repair kit

Not interchangeable with standard parts listed above
SBS7272 1

13. Waterpump fan

All models C12391 1

14. Fanbelt

MK2 2.4 C19523 1

MK2 3.4/3.8/340 C19525 1

S-Type 3.4/3.8 C19525 1

15. Jockey pulley

Early Single V belt C18733 1

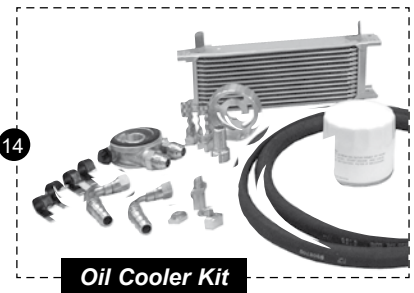
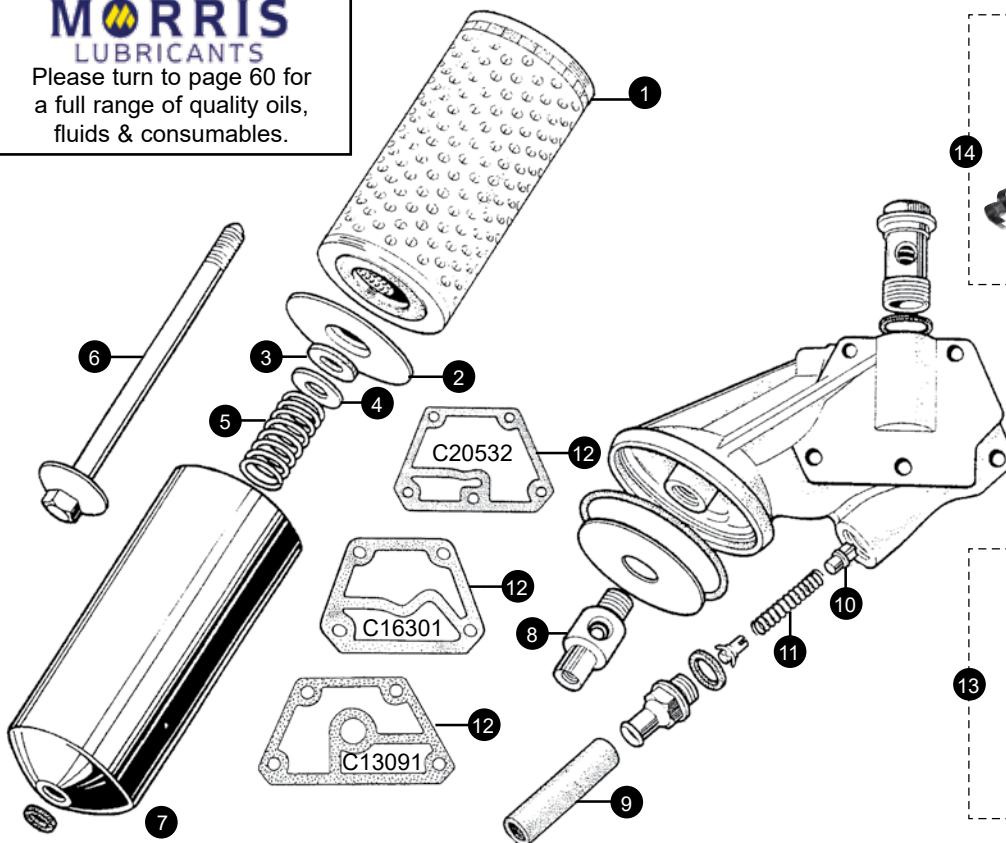
Later Double V belt C19521 1

16. Tension spring for jockey pulley C18447 1

2.4/3.4/3.8 OIL FILTER

MORRIS
LUBRICANTS

Please turn to page 60 for a full range of quality oils, fluids & consumables.



1. Paper oil filter element

Paper	JLM9544	1
Felt alternative	JLM9544F	1

2. Retaining plate

6886 1

3. Felt washer

11665 1

4. Plain washer

6160 1

5. Retaining spring

6159 1

6. Cannister bolt

7987 1

7. Seal under bolt head

6158 1

8. Retaining insert for main bolt

'Shouldered' type	6148	1
'Straight' type 9348	1	

9. Oil filter by-pass hose

C12861 1

10. Pressure relief valve

Early upward facing oil filter	7310	1
Later downward facing oil filter	2714	1

11. Pressure relief valve spring

Early upward facing oil filter	7315	1
Later downward facing oil filter	8105	1

12. Oil filter housing gasket

MK2 2.4	BG1001-BG5890	C13091	1
	BG5891-BG9999	C16301	1
	BH1001-BH7968		
	BH7969 on	C20532	1

240 BJ1001 on C20532 1

MK2 3.4/3.8 3.4 KG1001-KG4674 C13091 1
3.8 LA1001-LA7449

3.4 KG4675-KG9999 C16301 1

3.4 KH1001-KH7062

3.8 LA7450-LA9999

3.8 LB1001-LB9999

3.8 LC1001-LC4264

3.4 KH7063 on C20532 1

3.8 LH4264 on

340 KJ1001 on C20532 1

S-Type C20532 1

13. Spin-on oil filter conversion kit

Your engine benefits from the improved oil filtration that modern filters offer and it makes oil changes far easier too!

Early* OFK16 1

Late* OFK18 1

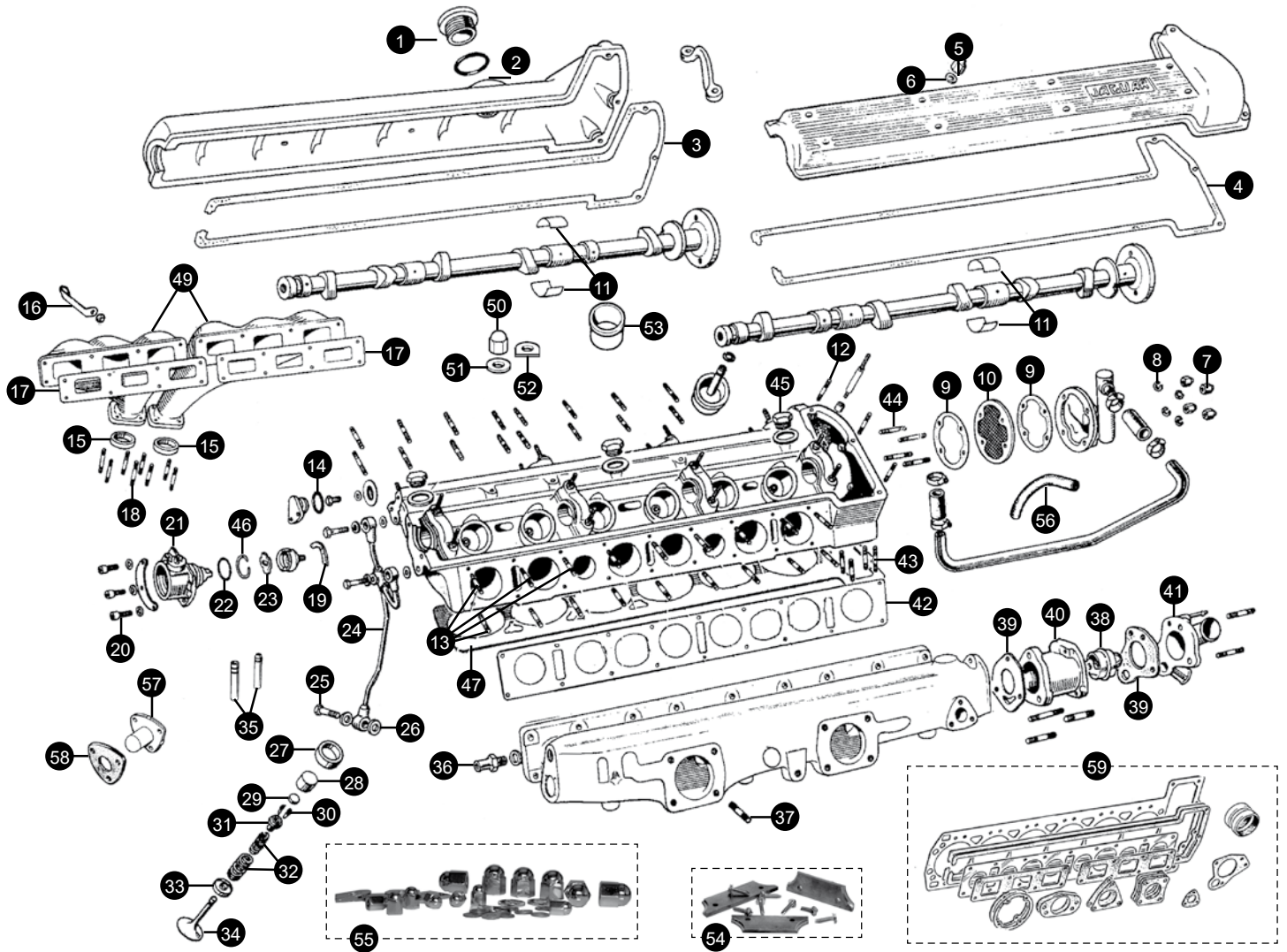
* Engine number required to identify correct kit for your car.

14. Oil cooler conversion with spin-on oil filter

Cooler oil retains its viscosity under heavy load providing improved lubrication, reducing friction and wear. Perfect for fast road and track day applications.

All models SBS1072 1

2.4/3.4/3.8 CYLINDER HEAD



1. Oil filler cap Round polished Jaguar	C1022	1	15. Exhaust seal	EBC9388	2
2. Oil filler cap sealing ring Fibre washer type Rubber seal type	C419 C25480	1 1	16. Dipstick bracket	C15848	1
3. Cam cover gasket LH	C67351	1	17. Exhaust manifold gasket	C2318AF	2
4. Cam cover gasket RH	C149881	1	18. Exhaust downpipe stud	C2369	8
5. Cam cover nut	C2327	22	19. Generator seal	C14991	1
6. Cam cover washer	FW104E	22	20. Fixing screws	C14992	3
7. Breather cover nut	C2327	4	21. Rev counter generator	C14996	1
8. Breather cover washer	FW104E	4	22. Sealing ring	C14990	1
9. Breather cover gasket	C2227	2	23. Drive dog	C25426	1
10. Breather gauze	C37282	1	24. Camshaft feed pipe (not 2.4) Std rigid type Flexible type	C25619 C25619F	1 1
11. Camshaft bearing set	RTC2347	1	25. Banjo bolt	C5846	3
12. Camshaft cover studs Front of head (plain)	C67272	6	26. Sealing washer	C4146	6
13. Manifold attachment stud Inlet & exhaust	C11761	32	27. Valve insert Inlet Exhaust	C29122 C291241	6 6
14. Sealing ring	C19044	1	28. Tappet Standard Modern lightweight	C44010 NAC2543AA	12 12

2.4/3.4/3.8 CYLINDER HEAD

29. Tappet gap shim

0.001 increments C2243A to Z A/R
(Add P i.e. C2243AP for 0.0005 increments)

30. Valve cotter	EBC2997	12 prs
31. Valve collar	C27480	12
32. Valve spring set	VSP480P	1
33. Valve spring seat	C27481	12

34. Engine Valves

Inlet	EAC1547	6
Exhaust	EAC1548	6

35. Valve guides

	<u>Steel</u>	<u>Bronze</u>	
Inlet	VAG92198 1st o/s	ENG102	6
	VAG50914 2nd o/s	ENG102/1	6
Exhaust	VAG92199 1st o/s	ENG103	6
	VAG50913 2nd o/s	ENG103/1	6

36. Adaptor

C17421 1

37. Carburettor stud

C6570 8

38. Thermostat (use the photo to identify the type you have.)

C27650 - 74°C
C27650/1 - 82°C



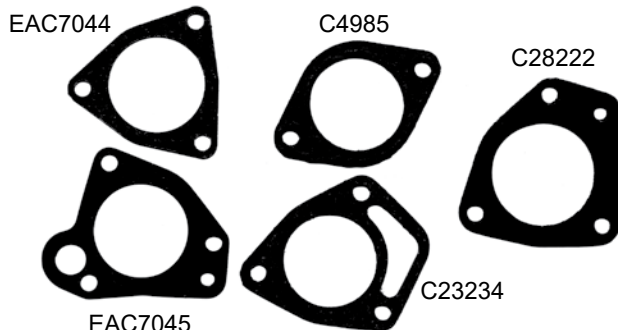
C3731/1 - 74°C



C28067 - 74°C
EBC3576 - 82°C EBC3577 - 88°C

Bellows type	70-75 degree	C3731/1	1
Foot type	74 degree	C28067	1
	82 degree	EBC3576	1
	88 degree	EBC3577	1
Plain type	74 degree	C27650	1
	82 degree	C276501	1

39. Thermostat gasket (use the photo to identify the type you have).



40. Thermostat housing

240	7J1001 on	C28370	1
340	7J 50001 on	C28370	1

41. Water outlet pipe

MK2 2.4	BG1001 on BH1001 on	C15799	1
---------	------------------------	--------	---

MK2 3.4/3.8	All models	C15800/2	1
240	7J1001 on	C28892	1
340	7J 50001 on	C28892	1

42. Inlet manifold gasket

MK2 3.4/3.8/S-Type		C7619/1	1
240/340			
Metal		C232321	1
Paper alternative		C41247	1

43. Stud

C2189 3

44. Stud

C6727 6

45. Threaded plug

C2157 3

46. Circlip

C16773 1

47. Head gasket

2.4/3.4 engines	Standard steel	C19112	1
	Composite	C19112COMP	1

3.8 engines

Standard steel	C19113	1
Composite	C19113COMP	1

48. Cam cover stud

Camshaft caps and covers (shouldered) C2326 16

49. Exhaust manifold

MK2 2.4/240 Front	C18396	1
MK2 2.4/240 Rear	C18397	1
MK2 3.4/3.8/340 Front	C18398	1
MK2 3.4/3.8/340 Rear	C18399	1
S-Type 3.4/3.8 Front	C18398	1
S-Type 3.4/3.8 Rear	C18399	1

50. Cylinder head nut

C2328 14

51. Round cylinder head nut washer

C10301 2

52. D-shaped cylinder head nut washer

C2385 12

53. Tappet guide

Standard	C7262	12
Bronze	C7262B	12

54. Tappet guide hold down kit (one kit per cam)

Prevents the guides working loose SBS9219 A/R

55. Cylinder head hardware set

CR1050 1

Full chrome kit of 14 head nuts, 12 D-shaped head washers, 2 round head washers, 26 cam cover & breather nuts and 26 camcover copper washers.

56. Ribbed breather hose (sold by the metre)

Early cars C2485/1 A/R

57. Automatic choke thermo switch

C33177 1

58. Choke switch gasket

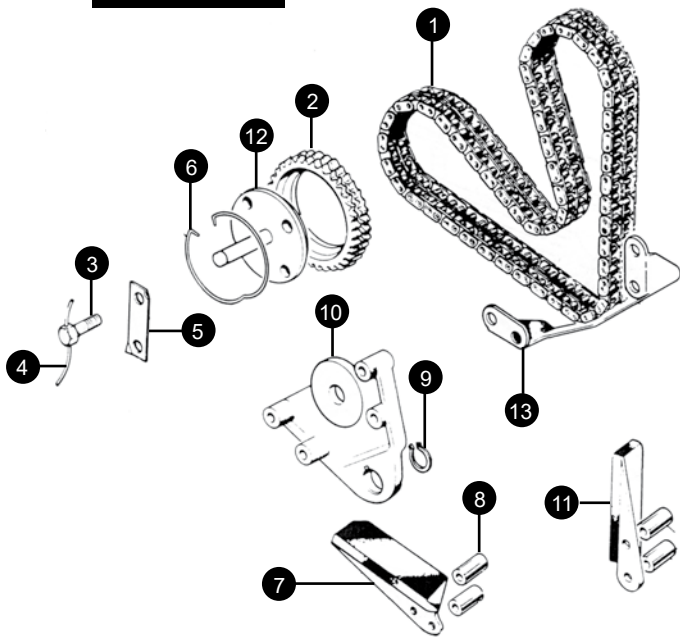
C2475 1

59. Head gasket set

MK2 2.4 no specific set available use	CE532	1
MK2 240 no specific set available use	CE532	1
MK2 3.4	CE532	1
MK2 340 no specific set available use	CE532	1
MK2 3.8	CE541	1
S-Type 3.4	CE532	1
S-Type 3.8	CE541	1

2.4/3.4/3.8 TIMING GEAR

UPPER

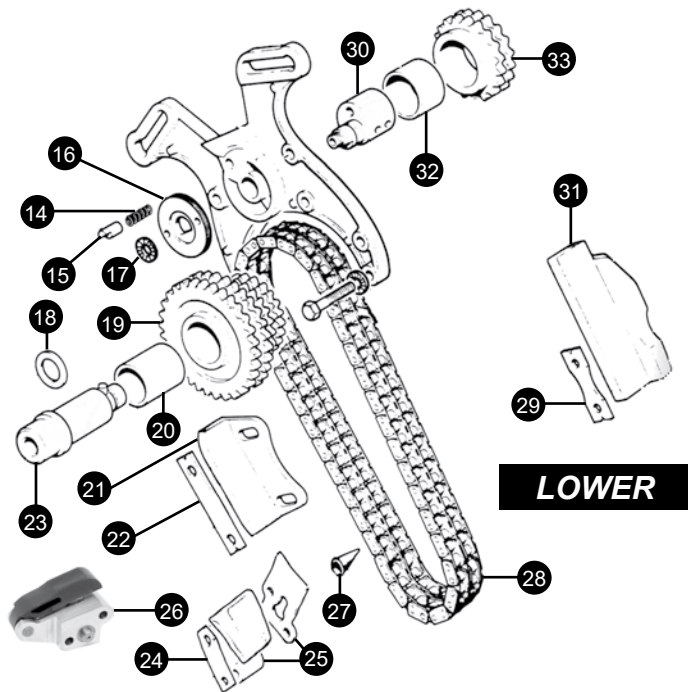


UPPER TIMING GEAR

1. Upper timing chain	C2256	1
AE branded	TC23100	1
2. Camshaft gear	C24686	2
3. Bolt	JZB100042	4
4. Locking wire (sold by the metre)	C21126	A/R
5. Locktab	C33917	2
6. Circlip	C30767	2
7. Chain guide	C13617	1
8. Spacer	C13660	4
9. Circlip	C2335	1
10. Bracket	C21703	1
11. Chain guide	C13616	1
12. Cam gear coupling	C34034	2
13. Top chain retainer	C25819	1

LOWER TIMING GEAR

14. Spring	C2297	1
15. Plunger	C4405	1
16. Micro adjuster plate	C4404	1
17. Washer	C30075/1	1
18. Shim	C16626	A/R
19. Intermediate sprocket	C25275	1
20. Bush	C2320	1
21. Chain guide		
240	C29125	1
2.4/3.4/3.8	C13615/1	1
22. Lock tab		
240	C28285	1
3.4/3.8	C20397	1
23. Idler sprocket shaft	C26608	1
24. Timing chain tensioner lock tab	C10333	1
25. Timing chain tensioner	EAC3629	1



LOWER

26. Competition timing chain tensioner

Suitable for most 6 cyl XK engines with improved durability and increased chain life for demanding conditions.

	EAC3629U	1
27. Filter	C13457	1
28. Lower timing chain		
2.4	C8654	1
3.4/3.8 models	C2255	1
3.4/3.8 AE branded	TC2382	1
29. Locktab	C20397	1
30. Eccentric shaft	C27189	1
31. Chain guide	C136141	1
32. Bush	C23191	1
33. Idler sprocket	C26740	1

ENGINE TIMING GEAR SETS

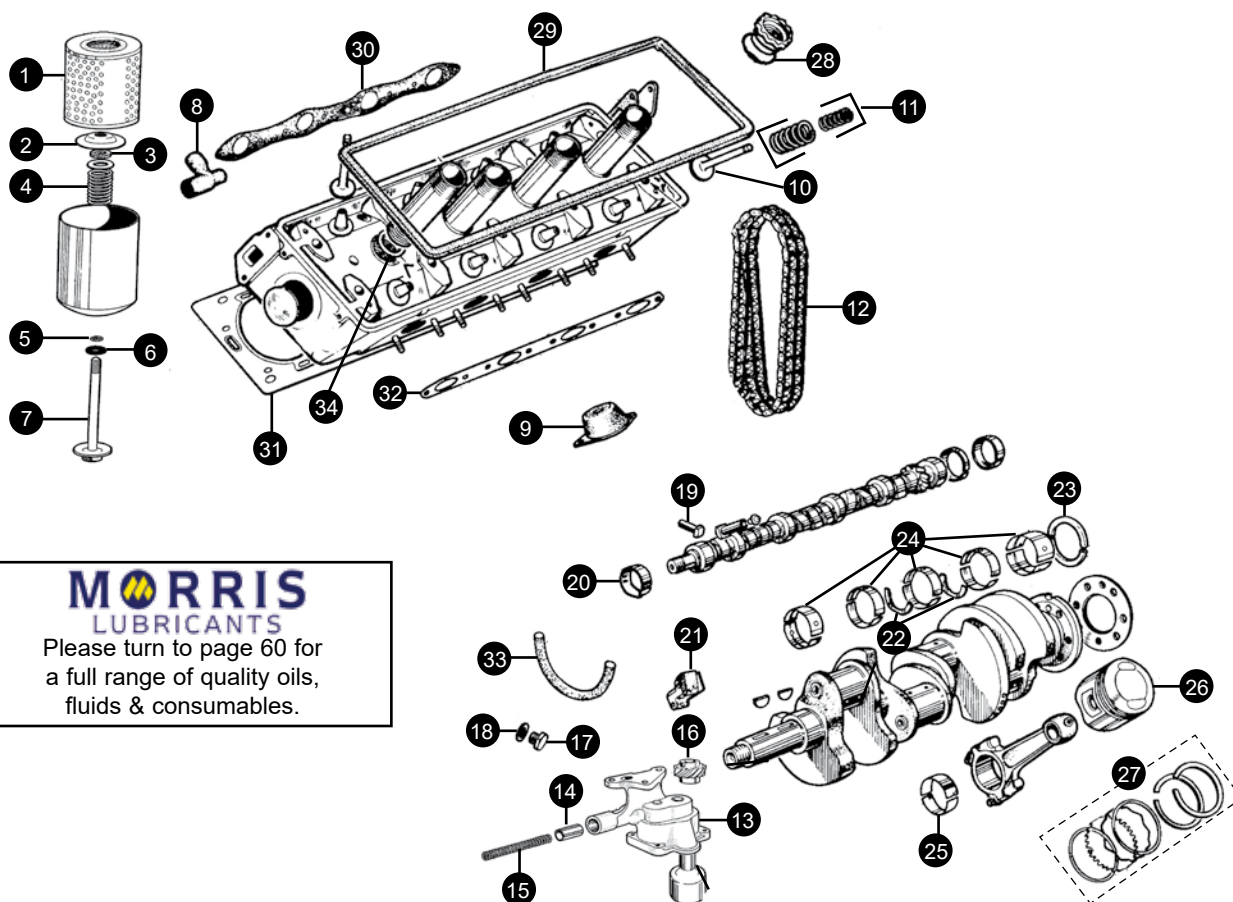
These kits are essentially for 4.2 engines, but are suitable for fitment if C13614/1 & C13615/1 guides are ordered too. For 2.4 engines add C8654 lower chain, C13613/1 & C29125 guides.

Minimum Kit TCK6MIN 1
Upper and lower timing chains, all guides, tensioner, lock washers and gauze filter.

Standard Kit TCK6 1
As TCK6MIN but with the addition of the camshaft gears and circlips, crankshaft gear and idler sprocket.

Major Kit TCK6MAJ 1
As TCK6 but with the further addition of the intermediate sprocket, idler shaft, micro adjuster plate etc. to provide a full kit of spares to entirely overhaul the timing gear.

DAIMLER V8 ENGINE



MORRIS
LUBRICANTS

Please turn to page 60 for a full range of quality oils, fluids & consumables.

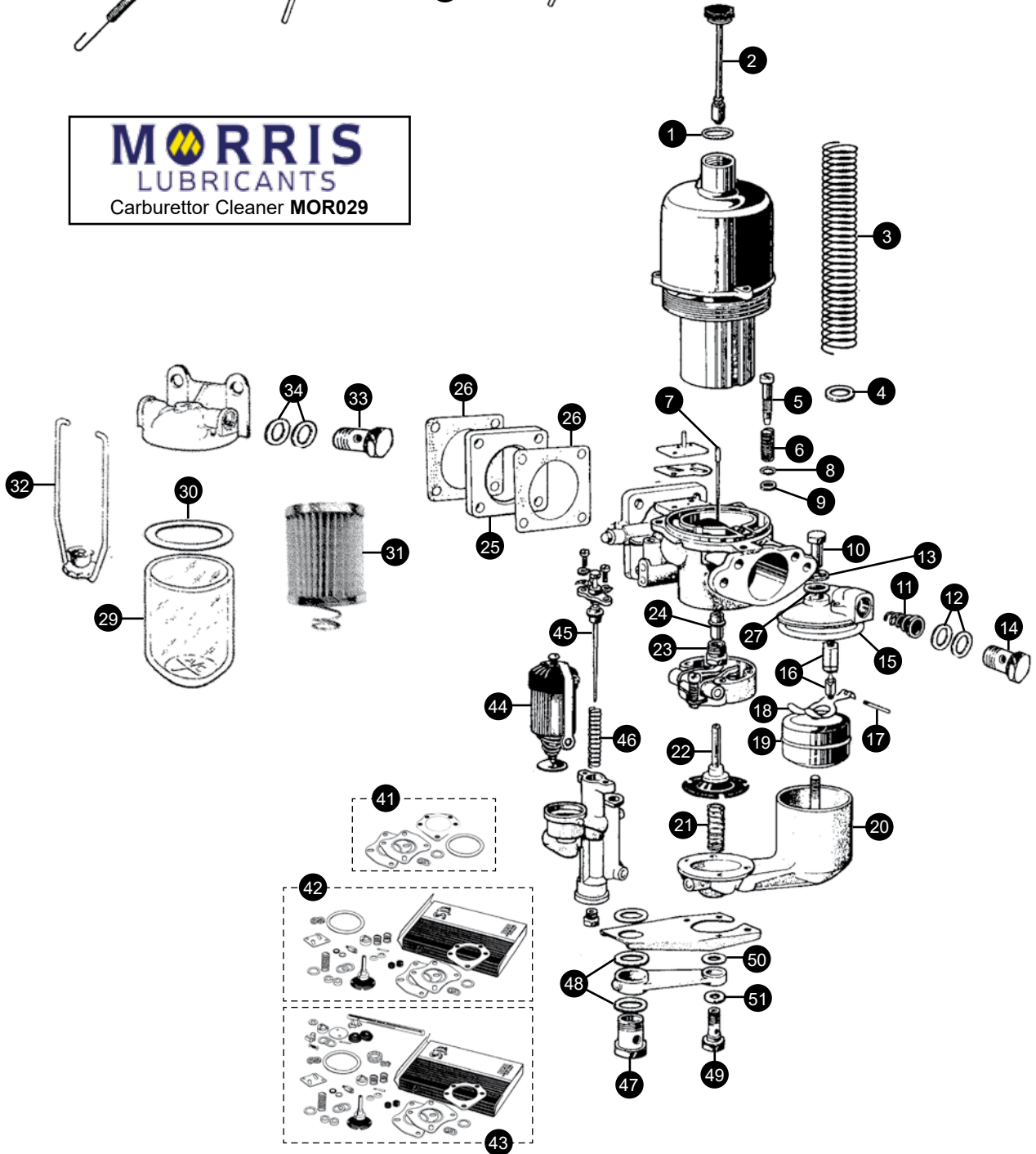
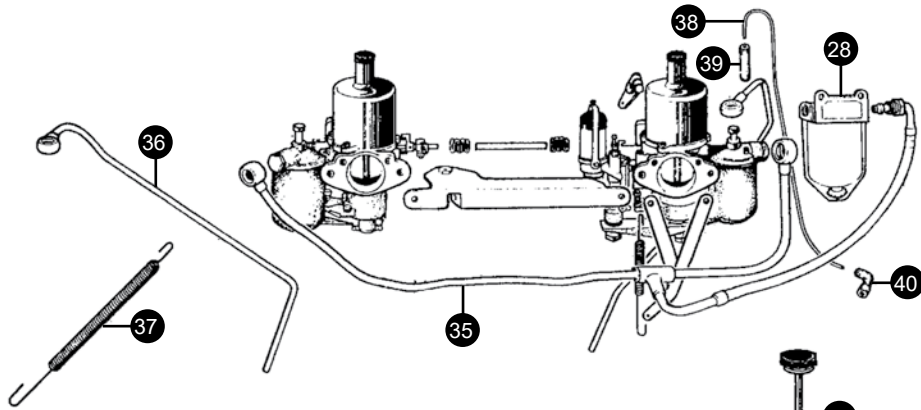
1. Oil filter element	8G683	1	17. Sump plug	C23435	1
2. Oil filter pressure plate	9675	1	18. Sump plug washer	C2296/1	1
3. Felt washer	11665	1	19. Camshaft follower	430388	1
4. Spring	6159	1	20. Camshaft bearing set	RTC1132K	1
5. Spring clip	9674	1	21. Timing chain hydraulic tensioner	EAC3629	1
6. Rubber washer	6158	1	22. Crankshaft thrust washer	307680/1	2
7. Cannister bolt	10454	1	23. Crankshaft rear main oil seals	C19654	2
8. Cooling 'T' hose on cylinder head			24. Crankshaft main bearing set*	11228	1
Standard rubber	C21170	2	25. Conrod bearing set*	307715	1
Silicone	C21170S	2	26. Piston* (complete with rings)	C23842	8
9. Engine mounting			27. Piston ring set*	C23837	1
Standard	C18556	2	(*Usually available in standard to +40 sizes)		
Uprated	C18556U	2	28. Rocker cover knurled nut O'ring	425280/25	8
10. Engine valve			29. Rocker cover gasket	307827	2
Inlet	307358	8	30. Inlet manifold gasket	307876	2
Exhaust	C26665	8	31. Cylinder head gasket	C22245	2
11. Valve spring set	C21687/8	1	32. Exhaust manifold gasket	307354	2
12. Timing chain	307363	1	33. Sump sealing cork	308402	2
13. Oil pump assembly	C21975	1	34. Spark plug tube sealing washer	430742	8
14. Oil pressure relief valve	C22756	1			
15. Oil pressure relief valve spring	431498	1			
16. Oil pump drive gear	430363	1			

PARTS & ACCESSORIES
FOR

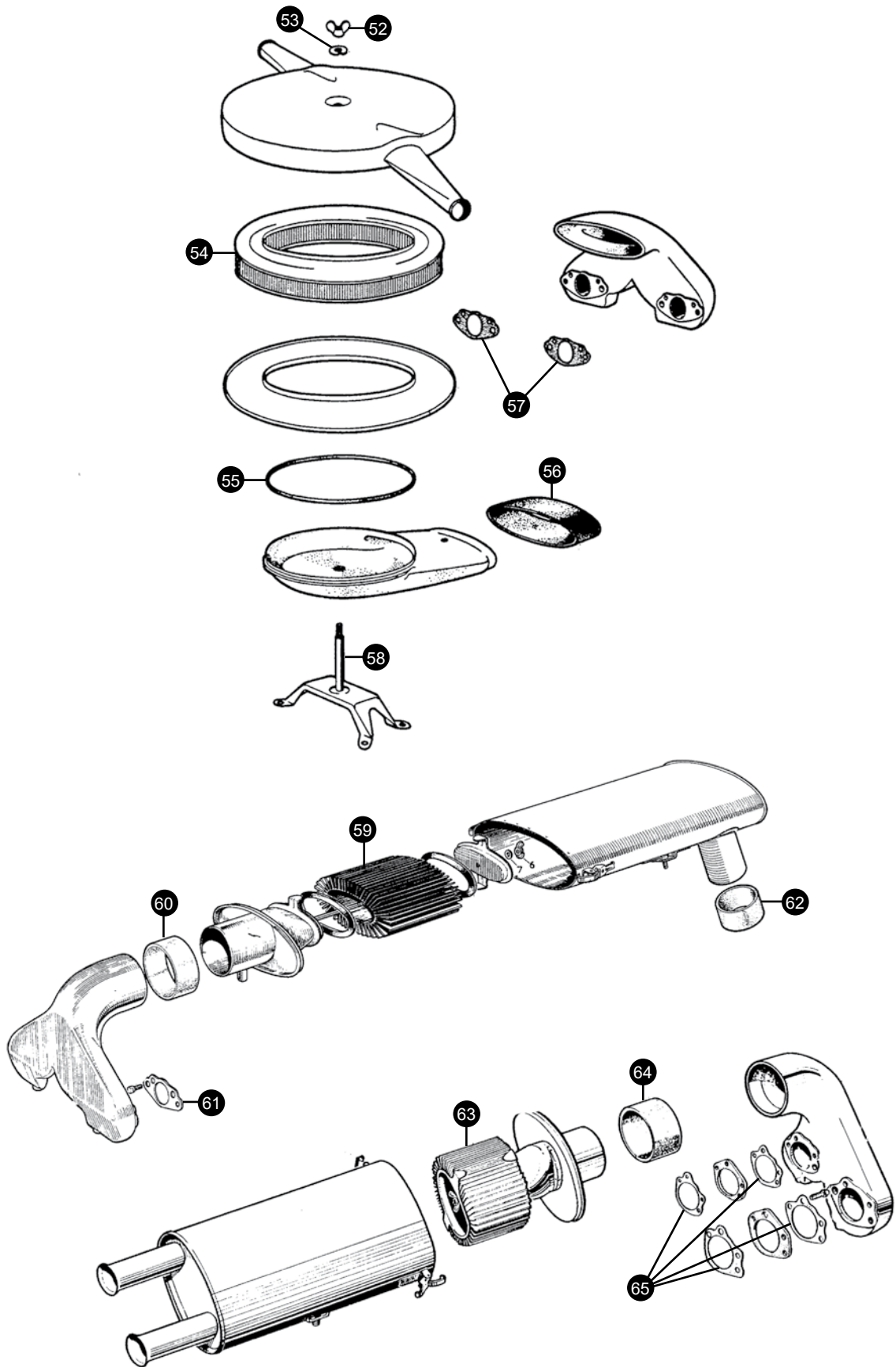
CLASSIC & MODERN JAGUARS

S-N-G
BARRATT
GROUP

SU CARBURETTORS & AIR FILTERS



SU CARBURETTORS & AIR FILTERS



PARTS & ACCESSORIES
FOR
CLASSIC & MODERN JAGUARS

S-N-G
BARRATT
GROUP

SU CARBURETTORS & AIR FILTERS

1. Damper cap washer	JLM9631	2
2. Damper cap assembly	AUC8102	2
3. Piston spring	AUC4387	2
4. Retaining washer	AUC3071	2
5. Slow running/idle screw	6967	2
6. Spring	6966	2
7. Needle		

Correct needle is identified by a two or three letter marking at the base. If yours isn't listed, please contact us and we will help you to determine which one you need.

SC	AUD1319	2
TM	AUD1354	2
CI	AUD1099	2
TL	AUD1353	2

8. Gland	AUC2029	2
9. Gland washer	AUC2030	2
10. Cap nut	5832	2
11. Filter spring assembly	AUC2139	2
12. Fibre washer	AUC2141	4
13. Serrated washer	AUC1928J	2
14. Banjo bolt	C11488	2
15. Float chamber lid gasket	AUC1147	2
16. Needle and seat valve	JLM9733	2
17. Float lever pivot pin	AUC1152	2
18. Float lever	AUD2285	2
19. Float	WZX1303	2
20. Float chamber		
Front carburettor	AUC2088	1
Rear carburettor	AUC2009	1

21. Jet diaphragm spring	AUC2006	2
22. Main jet & diaphragm	AUC8155	2
23. Jet bearing locking nut	AUC2002	2
24. Jet bearing	AUC2001	2
25. Carb insulator block	C33059	2
26. Gasket	C7221	4
27. Aluminium washer	AUC1557	2
28. Fuel filter assembly	C13681	1
29. Fuel filter glass bowl	7300	1
30. Seal to filter casting	C26310	1
31. Fuel filter (includes C26310 seal)	C28080	1
32. Glass bowl retaining strap	7301	1
33. Banjo bolt	C13705	1/2
34. Sealing washer	C784	2/4

35. Flexible fuel feed pipe	C14492	1
36. Carb overflow pipe	AUC3203	2
37. Return spring	C133551	1
38. Vacuum pipe	C21575	1
39. Rubber tube connector	C14212	1
40. Rubber elbow connector	C21573	1
41. Carb gasket set	AUE805	2

42. Carb service kit		
Includes full gasket set, needle & seat, main jet & diaphragm and spindle seal set.	CSK37	2

43. Carb repair kit		
As per service kit with the addition of the throttle spindles and discs.	CRK217	2

44. Automatic choke solenoid	AUD9490	1
45. Acceleration needle	AUC8129	1
46. Spring	AUC1041	1
47. Banjo bolt	C11488	1
48. Fibre washer	AUC4753	2
49. Banjo bolt	AUC2086	1
50. Fibre washer	AUC2089	1
51. Aluminium washer	AUC1557	1

MK2 3.4/3.8 Air filter

52. Wing nut	C16492	1
53. Washer	FG106X	1
54. Air filter element	C16484	1
55. Air filter seal	C16483	1
56. Joiner seal	C16486	1
57. Gasket	C4475	2
58. Air filter mounting bracket	C16488	1

340/S-Type Air Filter

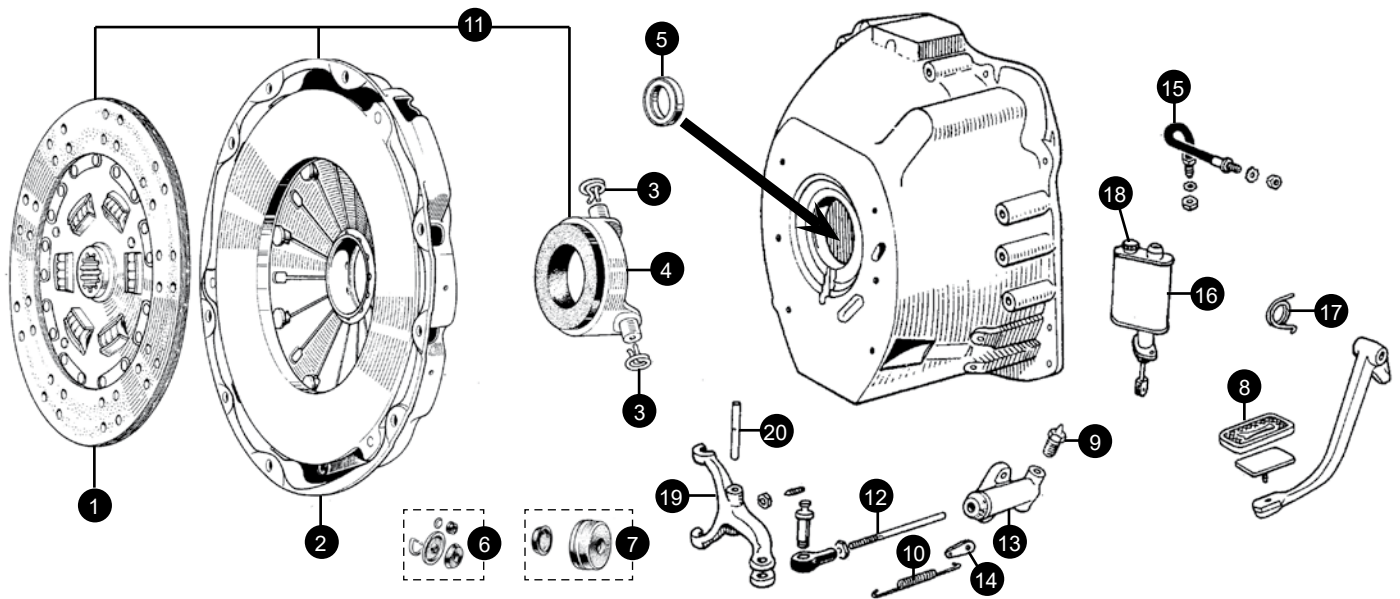
59. Air filter element	C19530	1
60. Seal	C19735	1
61. Gasket	C26723	2
62. Seal	C23100	1

240 Air Filter

63. Air filter element	11713	1
64. Seal	C19735	1
65. Gasket	C26723	4



CLUTCH MECHANISM



1. Clutch plate

MK2 2.4	9"	HB8748	1
240	8.5"	HB9661	1
MK2 3.4/3.8	10" spring	HB8750Q	1
	9.5" diaphragm	HB8786	1
S-Type 3.4/3.8	10" spring	HB8750Q	1
	9.5" diaphragm	HB8786	1
Daimler V8	8.5"	HB9661	1

2. Clutch cover

MK2 2.4	9"	HA3359	1
240	8.5"	HE3332	1
MK2 3.4/3.8	10" spring	HA2521	1
	9.5" diaphragm	HE4562	1
S-Type 3.4/3.8	10" spring	HA2521	1
	9.5" diaphragm	HE4562	1
Daimler V8	8.5"	HE3332	1

3. Release bearing clip

C22479	2
--------	---

4. Release bearing

MK2 2.4	9"	HD3306	1
240	8.5"	HD1099	1
MK2 3.4/3.8	10" spring	HD3306	1
	9.5" diaphragm	HD3319	1
S-Type 3.4/3.8	10" spring	HD3306	1
	9.5" diaphragm	HD3319	1
Daimler V8	8.5"	HD1099	1

5. Clutch housing oil seal

C18739	1
--------	---

6. Clutch master cylinder repair kit

MK2/V8		6593	1
S-Type	Dunlop	SP2616	1
	Girling	11604	1

7. Clutch slave cylinder repair kit

8G8446J	1
---------	---

8. Clutch pedal rubber

Jaguar	C8969	1
Daimler	C27521	1

9. Bleed nipple

6096	1
------	---

10. Spring

C5120	1
-------	---

11. 3 piece clutch kit

3.4/3.8 MK2	10" spring	HK5229QAF	1
	9.5" diaphragm	HK9702Q	1
3.4/3.8 S-Type	10" spring	HK5229QAF	1
	9.5" diaphragm	HK9702Q	1

12. Adjustable push rod assembly

Most models	C24147	1
-------------	--------	---

13. Clutch slave cylinder

80mm long	C21470	1
95mm long	C29801	1

14. Spring plate

C5178	1
-------	---

15. High pressure hose

Standard rubber	C11603	1
Stainless steel braided	C11603SS	1

16. Clutch master cylinder

MK2/V8	C20526	1
S-Type*	C27186	1

(*This will require C27160-A & C2189 x 2 to fit a car equipped with Dunlop cylinder VBM4734).

17. Clutch pedal return spring

C8966	1
-------	---

18. Clutch reservoir cap

MK2	513123J	1
-----	---------	---

3.4/3.8 S-Type

1578	1
------	---

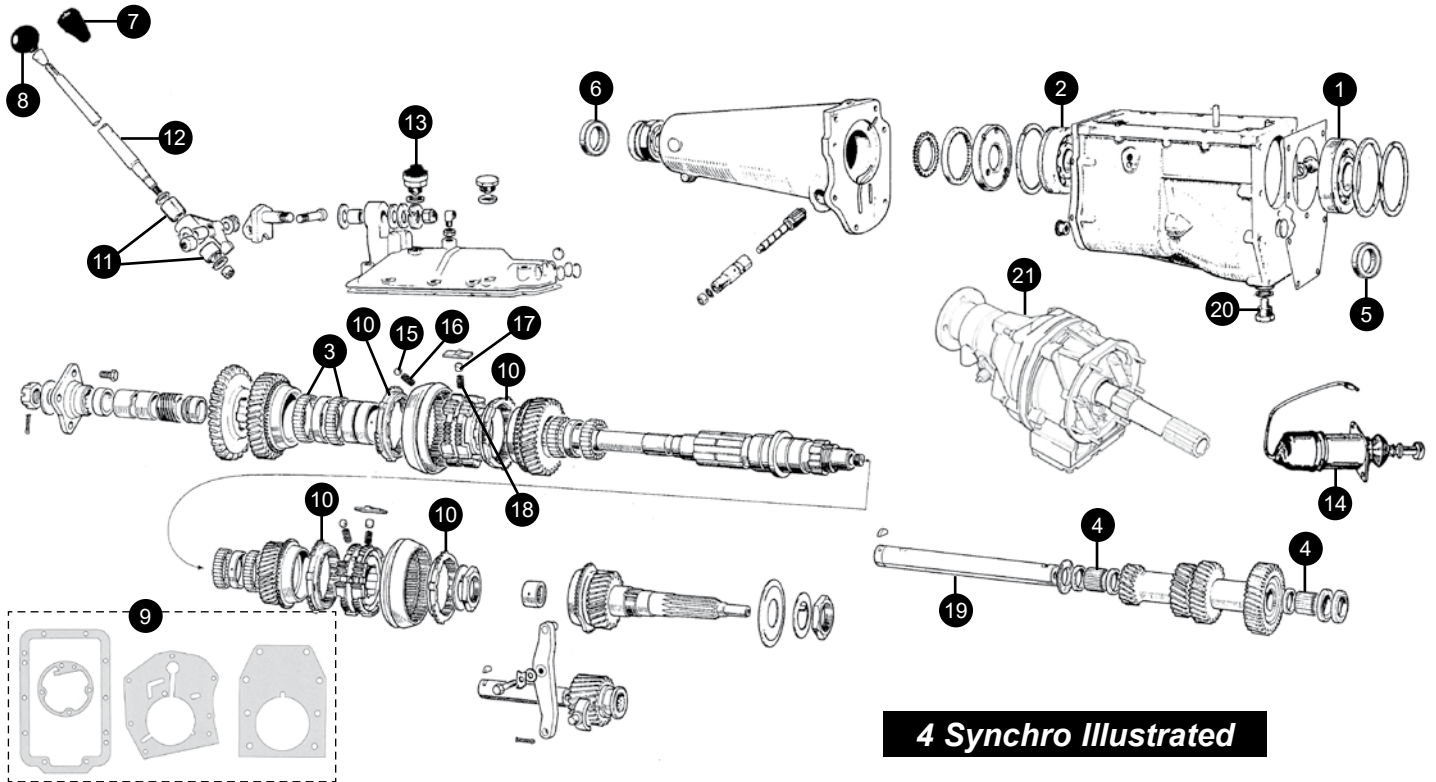
19. Clutch arm

MK2/S-Type	C9797	1
Daimler V8	C27430	1

20. Clutch arm pivot shaft

C9857	1
-------	---

2.4/3.4/3.8 MANUAL GEARBOX



1. Front bearing

3 synchro	C1838	1
4 synchro	C20491	1

2. Rear bearing

	C1845/1	1
--	---------	---

3. Mainshaft needle roller

3 synchro	C1850/1	332
4 synchro	C231093	332

4. Layshaft needle roller

	C38573	58
--	--------	----

5. Front oil seal

	C18739	1
--	--------	---

6. Rear oil seal

Non overdrive	C9836	1
Overdrive	NKC39A	1

7. Gear knob

3 synchro	C16154	1
-----------	--------	---

8. Gear knob

4 synchro	C23007	1
-----------	--------	---

9. Gasket set

3 synchro	Non Overdrive	ENT101	
	Overdrive*	ENT101/A	
4 synchro		ENT104	

*Overdrive unit gaskets are not included.

10. Synchromesh rings

4 synchro only	C22391	4
----------------	--------	---

11. Gear lever bush

3 synchro		C1915	2
4 synchro	Upper	C22394	1
	Lower	C21921	1

12. Gear lever

3 synchro	C2462	1
4 synchro	C23178	1

13. Reverse light switch

	DAC3844	1
--	---------	---

14. Overdrive solenoid

A-type	10002	1
--------	-------	---

15. Detent ball

3 synchro	C922	15
4 synchro	C1319	6

16. Detent ball spring

3 synchro	C900	12
4 synchro	C24181	6

17. Detent plunger

3 synchro	C901/1	12
4 synchro	C21088	6

18. Detent plunger spring

Not S1 3.8 (6 required)	C27491	6
-------------------------	--------	---

19. Countershaft

3 synchro	C1856	1
4 synchro	C39665	1

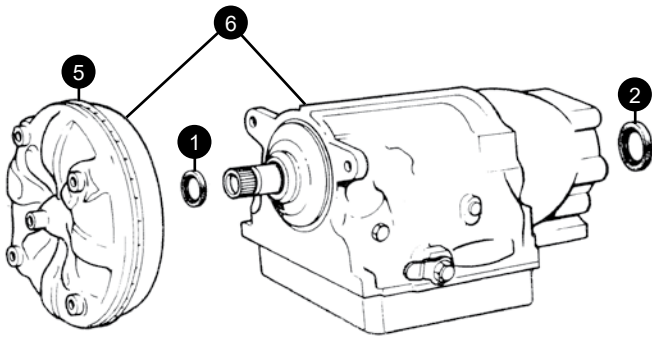
20. Drain plug

3 synchro	C23435	1
4 synchro	C19543	1

21. Exchange gearboxes & overdrive units

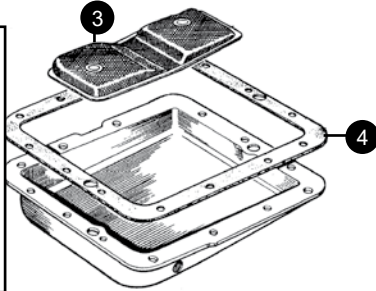
We offer a full reconditioning service, please contact us for more information on pricing and turnaround.

AUTOMATIC GEARBOX



MORRIS
LUBRICANTS

Please turn to page 60 for a full range of quality oils, fluids & consumables.



DG Illustrated

1. Front seal

DG	3623	1
Model 35	BAU1034J	1

2. Rear seal

DG	3762	1
Model 35	RTC447	1

3. Filter

DG	6688	1	
Model 35	front pump	9844	1
	rear pump	9845	1

4. Sump gasket

DG	3736	1
Model 35	RTC1871	1

5. Torque converter

DG (Exchange only)	DGTC	1
Model 35	35TC	1

6. Gearbox and torque converter

DG (Exchange only)	DGGBTC	1
Model 35	35TC	1

Gasket & seal kit (not illustrated)

DG	DGGK	1
Model 35	35TC	1

Overhaul kit (not illustrated)

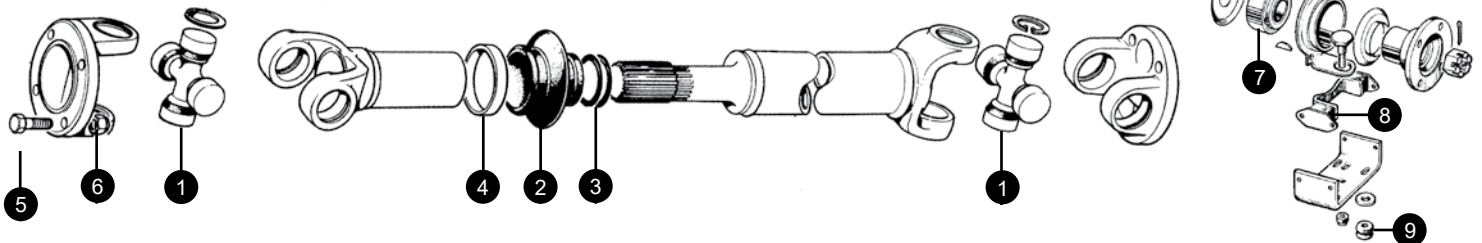
<u>DG</u>		
Standard kit	DGOK	1
Master kit (with clutches)	DGMOK	1

Model 35

Standard kit	35OK	1
Master kit (with clutches)	35MOK	1

Many other parts are available for the automatic gearbox, so please contact us if what you need isn't listed...

PROPSHAFT



1. Universal joint

Early small type		46	1
Later large type	standard	JLM823	2
	uprated	JLM823U	2

2. Joint gaiter

JLM1543 1

3. Rubber retaining ring

9412 2

4. Steel retaining ring

9413 1

5. Propshaft bolt

C19827 8

6. Propshaft nut

NZ606041J 8

Centre bearing type propshaft

7. Centre bearing	250	1
8. Centre mounting	C36791	1
9. Grommet	CBC1448	2

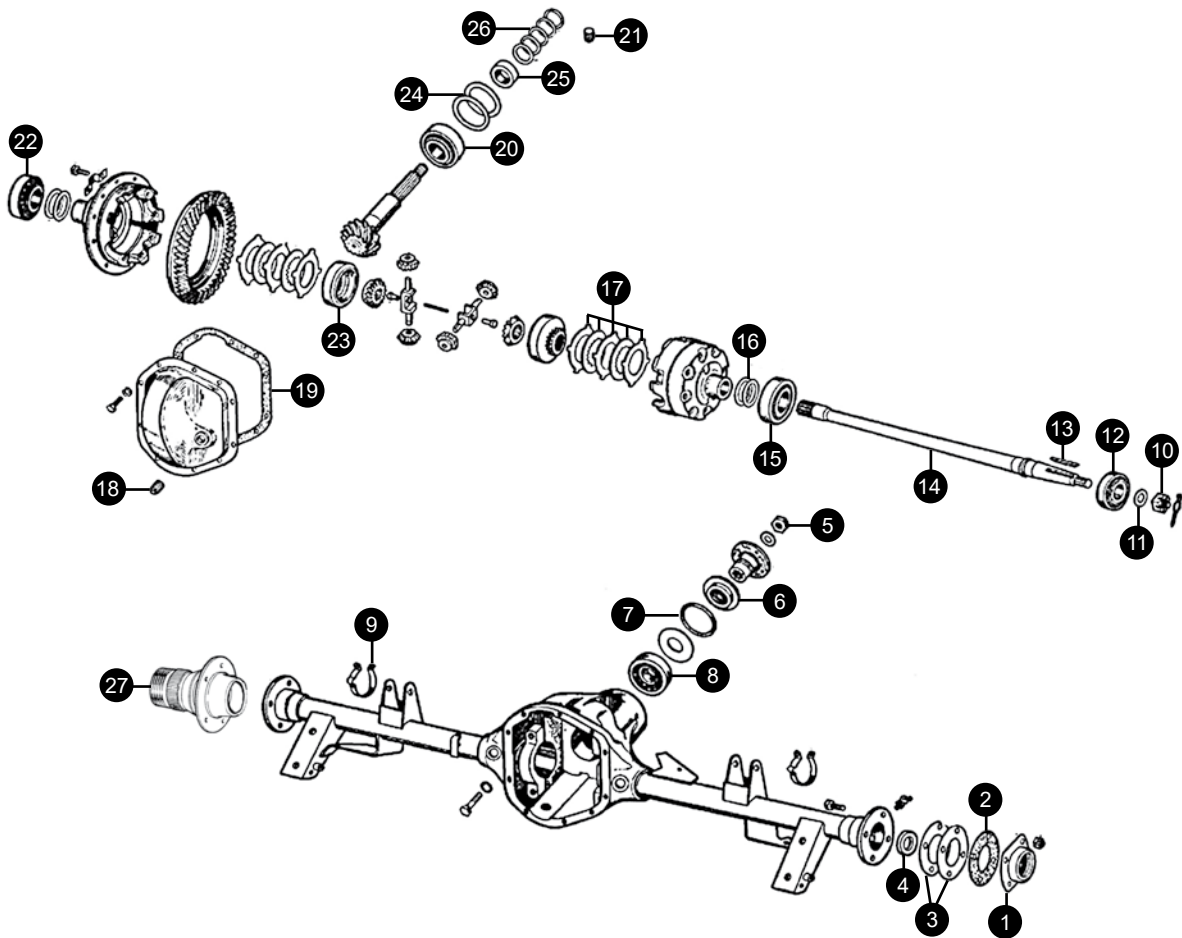
PARTS & ACCESSORIES

FOR

CLASSIC & MODERN JAGUARS

S-N-G
BARRATT
GROUP

MK2 & V8 REAR AXLE



MK2 & V8 Rear Axle

1. Hub seal		7953	2
2. Hub gasket		4149	2
3. Bearing shim	0.003"	4145	A/R
	0.005"	4146	A/R
	0.010"	4147	A/R
	0.030"	4148	A/R
4. Inner tube seal		4144	2
5. Pinion nut		11099	1
6. Pinion seal		3840	1
7. Pinion seal gasket		607183J	1
8. Outer pinion bearing		3843	1
9. Brake pipe clip		C7860	A/R
10. Hub nut		4141	2
11. Hub nut washer		4142	2
12. Hub bearing kit (including seal)		7993K	2
13. Woodruff key		C11835	2
14. Axle shaft		7995	2
15. Diff case bearing		3845	2
16. Shims	0.003"	3935	A/R
	0.005"	3936	A/R
	0.010"	3937	A/R
	0.030"	3938	A/R

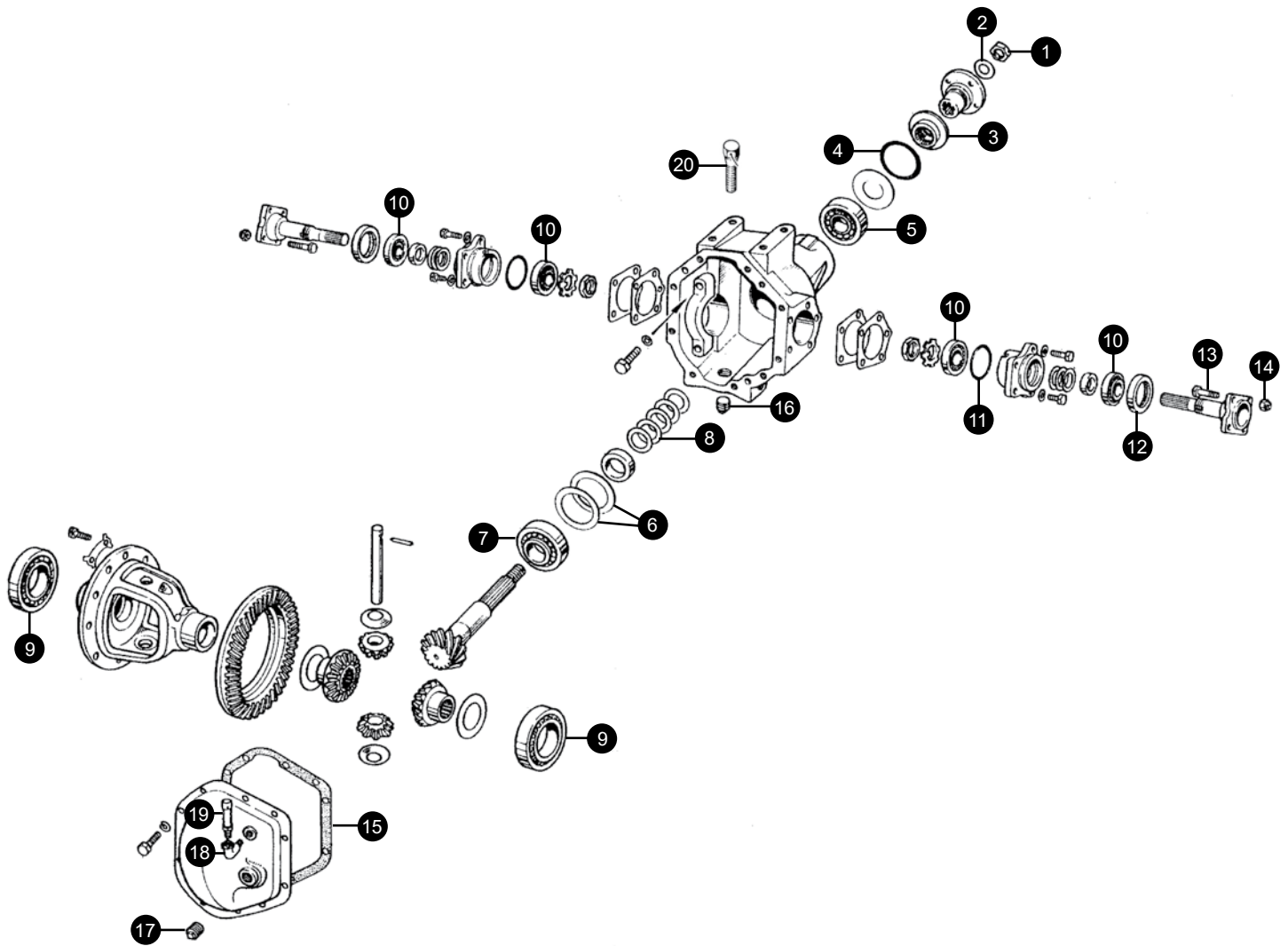
17. Friction plates

Flat	RTC1349A	4	
Dished	RTC1350A	2	
Friction	RTC1416A	4	
18. Filler plug	607172J	1	
19. Backplate gasket	3931	1	
20. Inner pinion bearing	3844	1	
21. Drain plug	607172J	1	
22. Diff case bearing	3845	2	
23. Side gear ring	11290	2	
24. Inner pinion bearing shim			
	0.003"	3860	A/R
	0.005"	3861	A/R
	0.010"	3862	A/R
25. Distance washer	8029	1	
26. Outer pinion bearing shim			
	0.003"	3856	A/R
	0.005"	3857	A/R
	0.010"	3858	A/R
	0.030"	3859	A/R
27. Wire wheel splined hub			
	RH	C13094	1
	LH	C13095	1

Exchange rear axles

We offer a full reconditioning service, please contact us for more information on pricing and turnaround.

S-TYPE DIFFERENTIAL



S-Type Differential

1. Pinion nut		11099	1
2. Pinion nut washer		WA120000J	1
3. Pinion seal		3840	1
4. Pinion seal gasket		607183J	1
5. Outer pinion bearing		3843	1
6. Shim	0.003"	3860	A/R
	0.005"	3861	A/R
	0.010"	3862	A/R
7. Inner pinion bearing		3844	1
8. Shim	0.003"	3935	A/R
	0.005"	3936	A/R
	0.010"	3937	A/R
	0.030"	3938	A/R
9. Inner bearing		3845	2

10. Outer bearing

Early	8495	2
Later	11101	2

11. Bearing housing 'O' ring

	8950	2
--	------	---

12. Output shaft seal

	8436A	2
--	-------	---

13. Output flange stud

	8510	8
--	------	---

14. Brake disc nut

	NV607041J	8
--	-----------	---

15. Gasket

	3931	1
--	------	---

16. Drain plug

	607172J	1
--	---------	---

17. Filler plug

	607172J	1
--	---------	---

18. Breather elbow

	8509	1
--	------	---

19. Breather

	C25716	1
--	--------	---

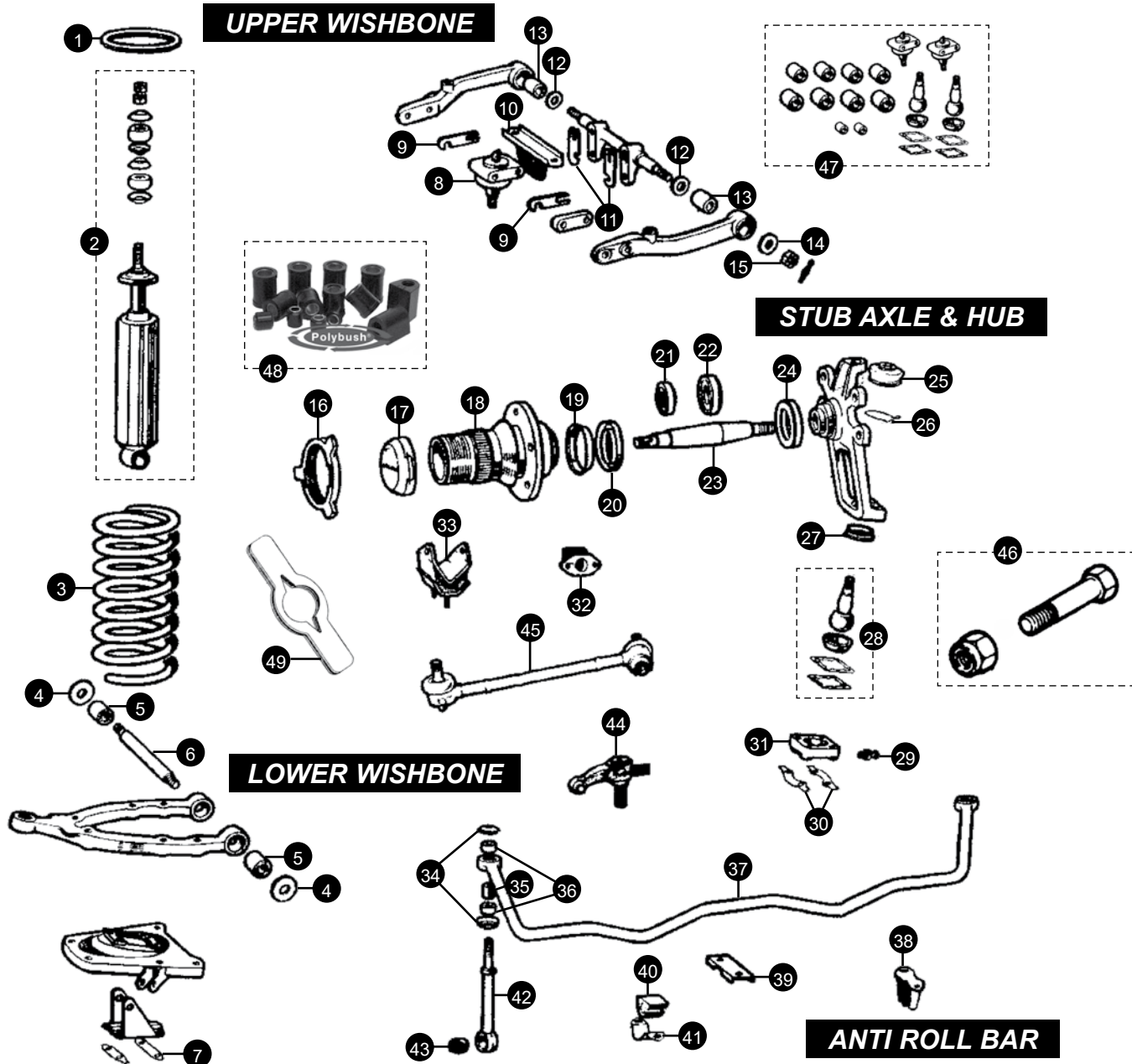
20. Mounting bolt

	JZS100090	4
--	-----------	---

Exchange rear axles

We offer a full reconditioning service, please contact us for more information on pricing and turnaround.

FRONT SUSPENSION



1. Spring spacer	C11874	0.25"	A/R	
	C118741	0.125"	A/R	
2. Shock absorber	Standard	C20989	2	
	Koni	82-1019	2	
Please ring for our current range of adjustable shock absorbers				
3. Road spring				
	MK2.4/240/V8	C16953	2	
	MK2 3.4/3.8/340	Standard	C16954	2
	S-Type		C21958	2
4. Washer		C8676/1	4	
5. Lower wishbone bush				
	Standard	C8673	4	
	Polyurethane	C8673U	4	
6. Lower fulcrum shaft		C10778	2	

7. Lock tabs	long	C8690	2
	short	C8677	2
8. Upper ball joint	Sealed type	CAC9938	2
	Original style	GSJ145	2
9. Shim adjusting castor angle		CBC64162	A/R
10. Upper bump stop		C17172	2
11. Shim adjusting camber angle			
	0.064"	C8918/1	A/R
	0.048"	C8918/2	A/R
	0.036"	C8918/3	A/R
12. Washer		C8675	4

FRONT SUSPENSION

13. Upper wishbone bush			
	Standard	C8672	4
	Polyurethane	C8672U	4
14. Washer			
		C8676/1	4
15. Nut			
		NL608041J	4
16. Three eared spinner tool			
		C28687	1
17. Chrome spinner			
<u>Two eared</u>			
Jaguar	RH	C1102	1
	LH	C1103	1
Daimler	RH	C1102D	1
	LH	C1103D	1
<u>Three eared</u>			
Jaguar	RH	C28684	1
	LH	C28685	1
Daimler	RH	C21270	1
	LH	C21271	1
18. Wire wheel splined hub			
	RH	C19225/1	1
	LH	C19226/1	1
19. Water deflector wire wheels			
		C18843	2
20. Water deflector steel wheels			
		C18842	2
21. Outer wheel bearing*			
		C15352	2
22. Inner wheel bearing*			
		C15351	2
23. Stub axle shaft			
		C19423	2
24. Hub oil seal*			
		C15350	2
(*Included in front wheel bearing kit JLM257)			
25. Ball joint gaiter			
	Clear	C43216	4
	Black	C43216BLK	4
26. Retaining clip			
		C22969	4
27. Ball pin spigot			
		C30952	2
28. Lower ball joint kit*			
		QSJ221RK	2
(*It is possible to fit the CAC9937 'sealed for life' bottom ball joint used on the XJs and XJ40s. This is considered to be a worthwhile modification as it won't require periodic greasing or reshimming. However it will be necessary to remove the ball pin spigot from the the stub axle carrier to facilitate fitment).			
29. Grease nipple			
		C3044/1	2
30. Lock tab			
		C15343	4
31. Ball joint cup			
		C24222	2
32. Crossmember front sandwich mounting			
	Standard	C23314	2
	Uprated	C23314U	2
33. Crossmember rear 'V' mounting			
		C9004	2
34. Washer			
		C11045	4
35. Spacing tube			
		C11047	2
36. Bush			
	Standard	C10996	4
	Polyurethane	C10996U	4
37. Anti roll bar			
	Uprated	C14035U	1
38. Lower bump stop			
		C13918	2
39. Retaining plate			
		C18303	2
40. Anti roll bar mounting bush			

Standard		C14983	2
Uprated		C14983U	2
41. Anti roll bar support bracket			
		MNA3501AA	2
42. Anti roll bar link rod			
		C20764	2
43. Eye bush			
	Standard	C10940	2
	Polyurethane	C10940U	2

44. Drag link end			
Manual steering*	RH	C29089R	1
	LH	C29090	1
Power steering*	RH	C29094	1
	LH	C29095	1

*Draglink end pin & bush

(Some original manual steering drag link ends are re-bushable and some are not. If yours has a smooth washer with a dimple on the bottom it is non-rebushable)

	Standard	133101	2
	Uprated	133101U	2

45. Track bar assembly

Adjustable* (sold singularly) C22678/1 2

*Ends have left and right hand threads to allow adjustment in situ on the vehicle as original.

Fixed (sold in pairs) QDL288 1

(Fixed ends set to optimum length by the manufacturer. This will then require any adjustment to be made on the centre bar).

46. Nuts & Bolts

ARB bush keep plate bolt		SH606141J	4
Bottom ball joint cap to housing bolt		C15344	8
Stub axle shaft inner nut		C86677	2
Lower shock absorber bolt		C8925	2
Lower shock absorber nut		NY607041J	2
Bolt through upper balljoint - short		C15903	2
Bolt through upper ball joint - long		C17171	2
Bolt through upper ball joint - nut		NY606041J	4
Bottom shocker bracket bolt		SH605081	8
Nut for top of ARB link		NZ606041J	2
ARB link bottom bush bolt		BH607141J	2
ARB link bottom bush nut		NY607041J	2
Upper ball joint nut		C8737/5	2
Lower ball joint nut		C87376	2
Front sandwich mounting centre nut		NY607041J	2
Front sandwich mounting fixing bolt		SH606071J	4
Front sandwich mounting fixing bolt - nut		NZ606041J	4
Lower bump stop fixing bolt		SH605061J	4
Lower bump stop fixing bolt - nut		NY605041J	4
Vee mounting stud - nut		NZ606041J	4
Vee mounting attachment bolt		BH606261J	2
Vee mounting attachment bolt - nut		NZ606041J	2

47. Front suspension rebuild kit

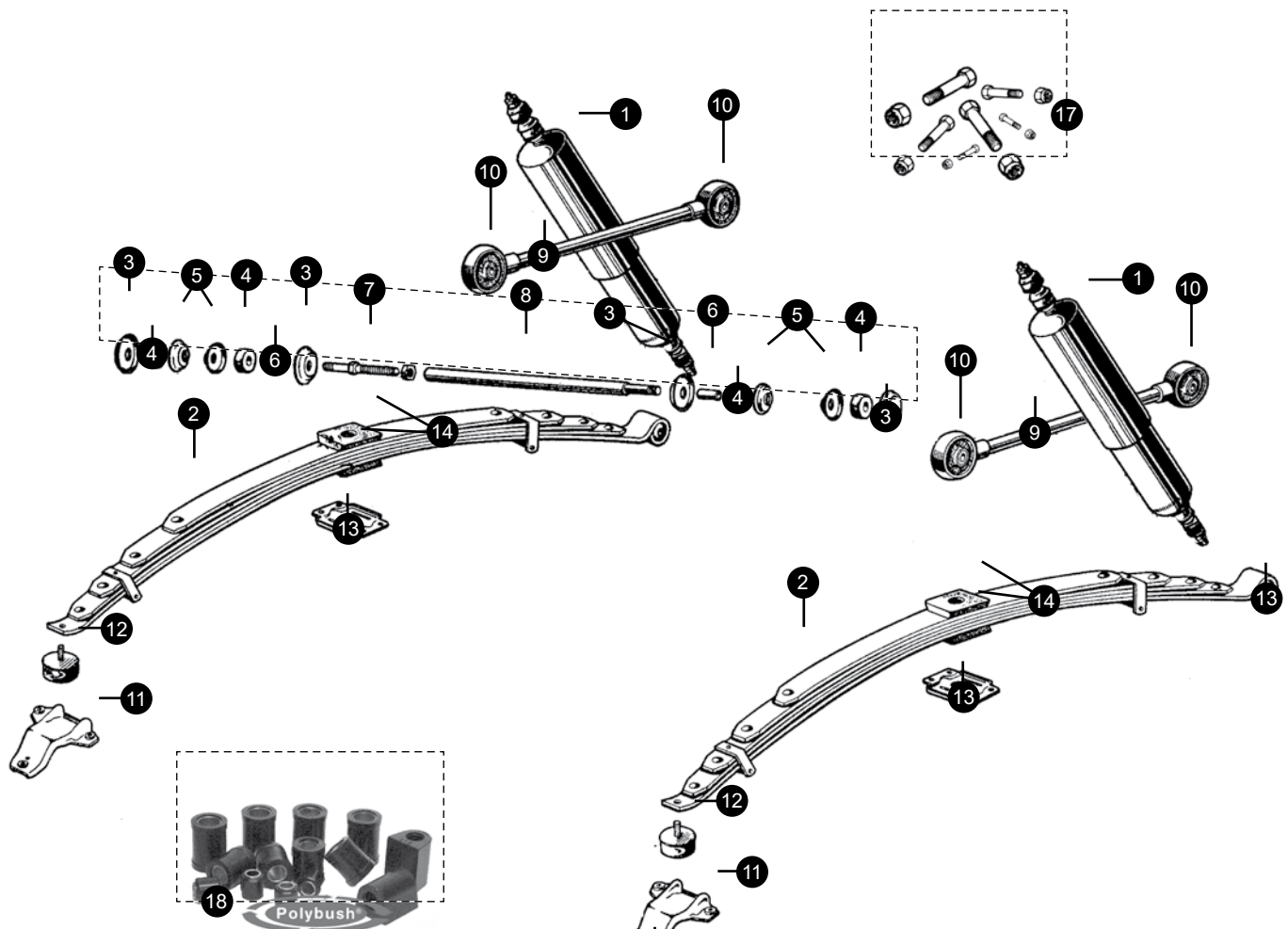
Includes all standard suspensions bushes with upper and lower ball joints. SU9010 1

48. Polybush polyurethane bush set

Improve handling, longer life and simple to fit! SU9010PB 1

49. Wooden 2 eared spinner removal tool SBS9306 1

MK2 & V8 REAR SUSPENSION

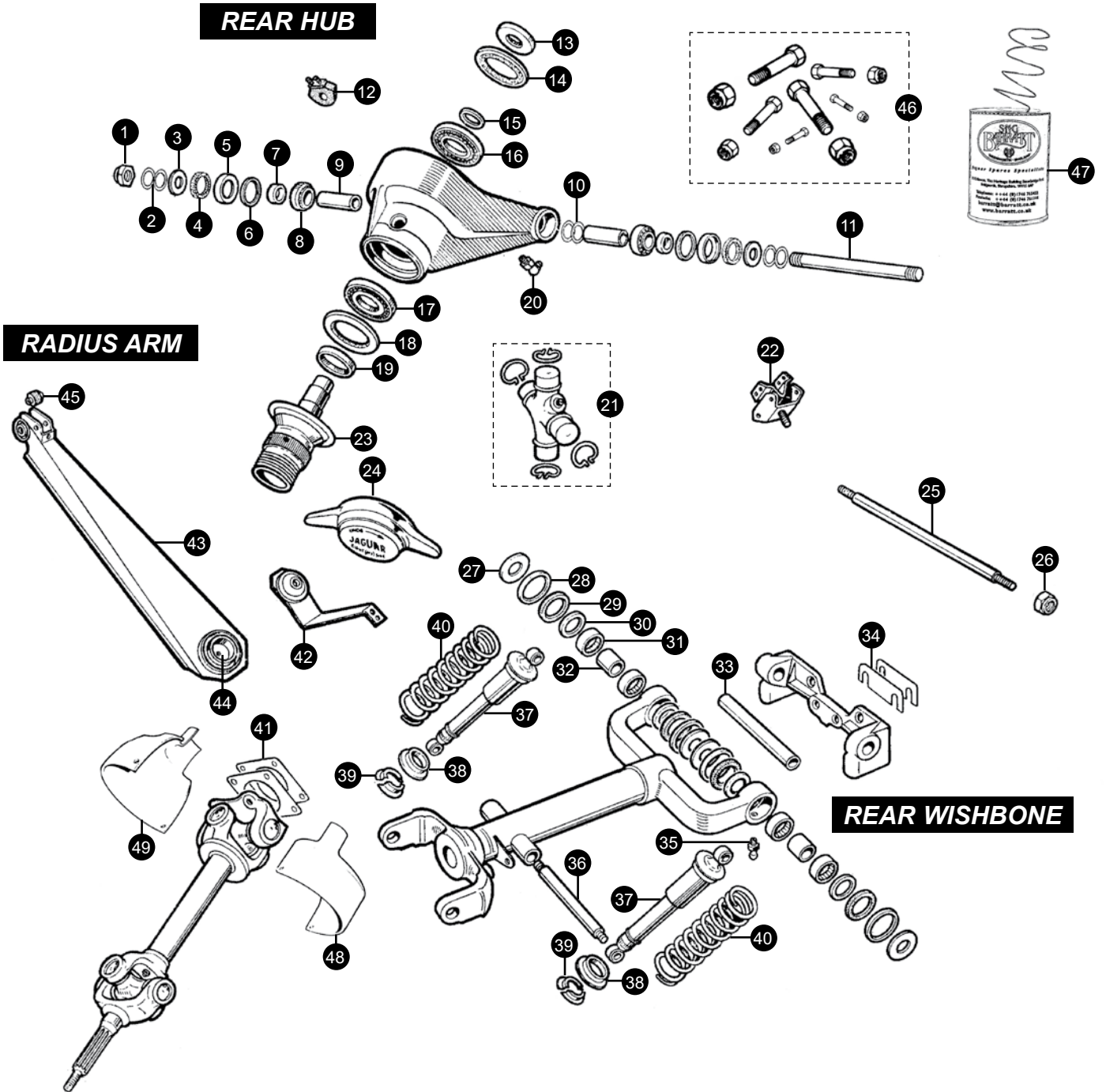


1. Shock absorber			
Standard	C20990B	2	
Koni	82-1044	2	
Please ring for our current range of adjustable shock absorbers			
2. Leaf spring			
Standard	C10791/2	2	
Uprated	C10791/2U	2	
3. Thick outer washer	C11042	4	
4. Panhard rod bush			
Standard rubber	C10995	4	
Polyurethane	C10995U	4	
5. Thin inner washer	C11043	4	
6. Spacer tube	C11048	2	
7. Panhard rod adjusting end	C11996	1	
8. Panhard rod	C14140	1	
9. Torque arm	C11091	2	
10. Torque arm bush			
Standard	C8949	4	
Uprated	C8949U	4	
11. Front mounting plate	C12343	2	
12. Spring end pad			
Standard	C10843	2	
Uprated	C10843U	2	

13. Spring centre mounting plate	C10845	2
14. Spring centre mounting pad		
Standard	C10844	4
Uprated	C10844U	4
15. Spring eye bush	C8939*	2
16. Panhard rod repair kit		
Inc. rod, bushes, tubes, nuts, washers	C14140K	1
17. Nuts & bolts		
Rear spring eye bolt	BH607261J	2
Rear spring eye bolt - nut	NY607041J	2
Round spring pad locking nut	NZ606041J	2
Spring front mounting plate bolt	SH605071J	4
Spring front mounting plate bolt	SH605101J	2
Spring front mounting plate bolt - nut	NY605041J	4
Spring centre mounting plate bolt	SH605071J	8
Spring centre mounting plate bolt - nut	NY605041J	8
Bolt through torque arm bush	BH607201J	4
Bolt through torque arm bush - nut	NY607041J	4
Panhard rod adjusting end locking nut	NT609041	1
Nut on each end of panhard rod	C8737/5	2

18. Polybush polyurethane bush set SU9016PB 1
 Improve handling, longer life and simple to fit!

S-TYPE REAR SUSPENSION



S-TYPE REAR SUSPENSION

OUTER FULCRUM

1. Nut*		NY607041J	4
2. Shim*	0.003"	C166261	A/R
	0.007"	C166262	A/R
3. Retaining washer*		C20182	4
4. Felt oil seal*		C20178	4
5. Oil seal retainer*		C20179	4
6. Spacer*		C20180	4
7. Seal seating ring*		C16628	4
8. Outer fulcrum shaft bearing*		C16029	4
9. Sleeve*		C166231	4
10. Shim*	0.004"	C16626	4
	0.007"	C166263	4

*Items 1-10 are available as outer fulcrum repair kit C16029FK which contains enough parts for one side. 2

11. Outer fulcrum shaft	C16624	2
12. Bump stop	C40158	2
13. Seating ring for inner oil seal	CCC6807	2
14. Inner hub oil seal*	C15231	2
15. Hub bearing spacer various sizes	CCC6806	A/R
16. Inner hub bearing*	C15230	2
17. Outer hub bearing*	C19066	2
18. Outer hub seal*	C24789	2

* Included in rear wheel bearing kit JLM9732E 2

19. Seal seating ring	C24791	2
20. Grease nipple	LN30041J	2

21. Drive shaft universal joint		
Standard	JLM9639	4
Up-rated	JLM9639U	4

22. Cradle mounting		
Standard	C17198	4
Neoprene	C17198P	4

23. Wire wheel splined hub		
RH	C20889	1
LH	C20890	1

24. Chrome spinner

Two eared

Jaguar	RH	C1102	1
	LH	C1103	1
Daimler	RH	C1102D	1
	LH	C1103D	1

Three eared

Jaguar	RH	C28684	1
	LH	C28685	1
Daimler	RH	C21270	1
	LH	C21271	1

INNER FULCRUM

25. Inner fulcrum shaft	C17008	2
26. Nut*	NY608041J	4

27. Thrust washer*	C17165	8
28. Oil seal retainer*	C17936	8
29. Sealing ring*	C17213	8
30. Thrust washer*	C17166	8
31. Inner fulcrum shaft bearing*	C17167	8
32. Bearing tube*	C17168/1	4

*Items 26-32 are available as inner fulcrum repair kit C17167FK which contains enough parts for one side. 2

33. Fulcrum shaft distance tube	C176631	2	
34. Shim	0.005"	C28427	A/R
	0.007"	C28428	A/R

35. Grease nipple	C3044/1	4
36. Shock absorber mounting shaft	C17013	2
37. Shock absorber		

Standard	C20606	4
Koni	80-1572	4

Please ring for our current range of adjustable shock absorbers

38. Spring seat*	C19821	4
39. Split collet*	8687	8

(*For use with original style of shock absorbers only)

40. Coil spring	C23167	4
41. Shim	C16621	A/R
42. Radius arm safety strap	C42220	2
43. Radius arm with bushes	C23824	2

44. Large radius arm bush		
Standard	MHC3170AA	2
Polybush	MHC3170U	2
Polybush Racing Red	MHC3170U/RED	2

Bolt through bush	CBC9362	2
--------------------------	---------	---

34. Small radius arm bush		
Standard	MHC3160AA	2
Polybush	MHC3160U	2
Polybush Racing Red	MHC3160U/RED	2

Bolt through bush	C17149/1	2
--------------------------	----------	---

46. Nuts & bolts

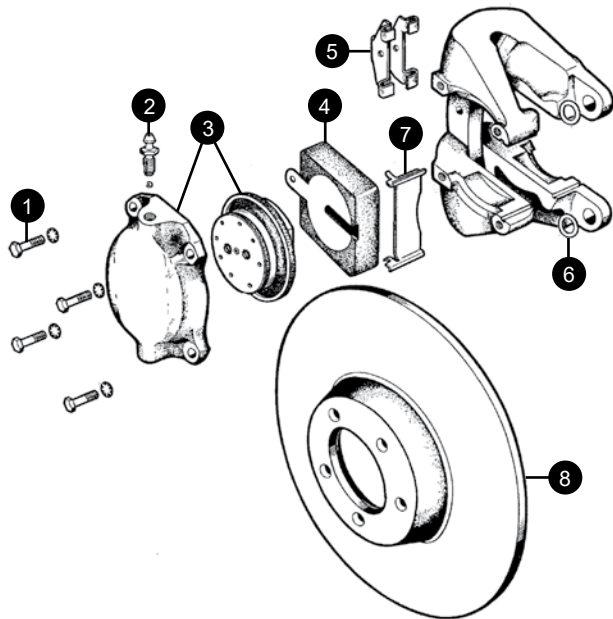
Cradle mounting to body bolt	SH605071J	8
Cradle mounting to body bolt	UFS131/25R	8
Nut for cradle mounting bolt & studs	NY605041J	20
Shock absorber top mounting bolt	BH607171	4
Shock absorber top mounting bolt-nut	NY607041J	4
Nut for shock absorber lwr mtg shaft	NY607041J	4
Safety strap to body bolt	SH605061J	2
Brake disc retaining nut	NV607041J	8

47. Stainless steel locking wire		
Sold by the metre	C21126	A/R

48. Half shaft cover	C23616	2
49. Half shaft cover	C28844	2



FRONT



FRONT BRAKES

1. Bolt	7720	16
2. Bleed nipple & ball bearing	6911	2
Ball available separately if required	5685	2
3. Piston and cylinder assembly		
Standard	8513	4
Stainless steel	8777SS	4

Four piston front caliper conversions

A quick and easy conversion to fit that has four stainless steel pistons housed within a solid XJ style caliper offering the benefit of greater braking power but also greatly increasing the pad area contacting the brake disc.

Kit to fit existing standard solid discs	SBS9086	1
Supplied with vented discs	SBS9093	1

4. Brake pad set

Standard	10821	1
Kevlar	10821K	1

5. Brake pad retaining plate

	9068	2
--	------	---

6. Caliper position adjusting shim

0.004"	C7569	A/R
0.010"	C11723	A/R

7. Brake pad support plate

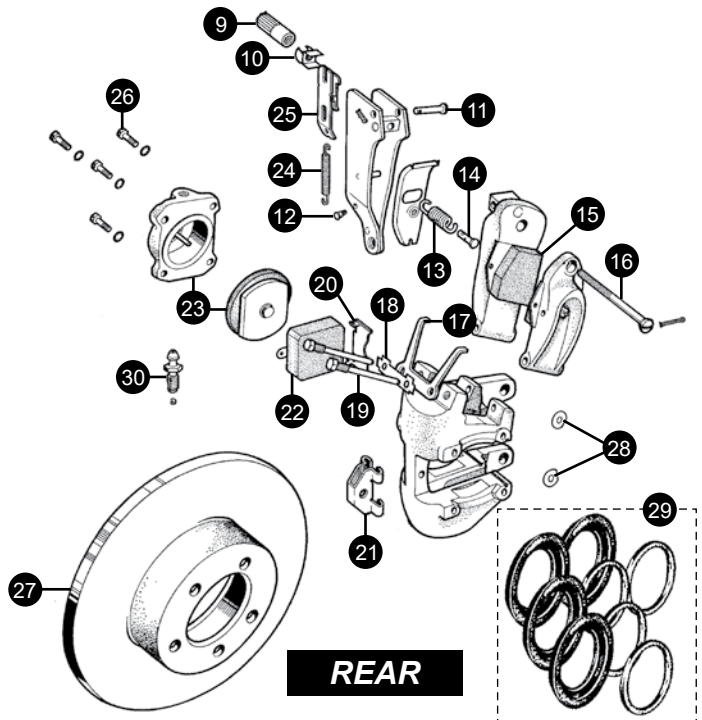
	7718	4
--	------	---

8. Front brake disc

Standard	C23484	2
Upated	C23484ROS	2

REAR BRAKES

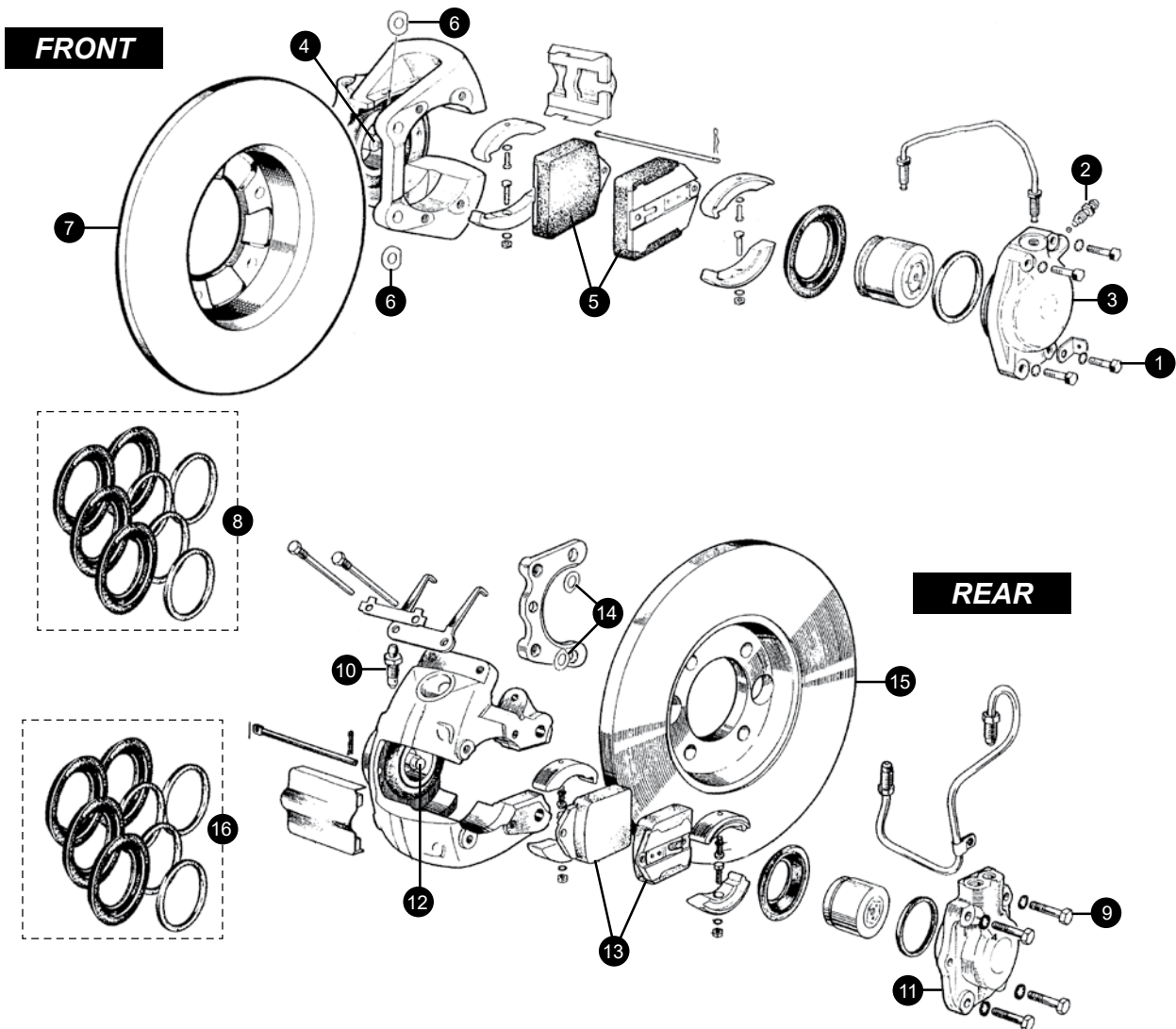
9. Handbrake ratchet nut	8980	2
10. Ratchet friction spring	8840	2
11. Hinge pin	8841	2
12. Anchor pin	8838	2
13. Return spring	8940	2



REAR

14. Inner pad carrier anchor pin	8938	2
15. Handbrake pads	8522	1 set
16. Handbrake adjusting bolt	8845	2
17. Handbrake retraction fork	8846	2
18. Retraction fork locktab	8014	2
19. Handbrake attachment bolt	8016	4
20. Brake pad support plate	7718	4
21. Brake pad retainer	7719	2
22. Brake pad set		
Standard	10821	1
Kevlar	10821K	1
23. Piston and cylinder assembly		
Standard	64932063	4
Stainless steel	8816SS	4
24. Pawl tension spring	8837	2
25. Handbrake pawl	8836	2
26. Bolt	7720	16
27. Rear brake disc		
Standard	C13065	2
Upated	C13065ROS	2
28. Caliper position adjustment shim		
0.005"	C13198	A/R
0.020"	C13199	A/R
0.040"	C13994	A/R
29. Caliper seal kit		
Front	12319	1
Rear	12604	1
30. Bleed nipple & ball bearing	6911	2
Ball available separately if required	5685	2

EARLY S-TYPE BRAKES



DUNLOP FRONT BRAKES chassis number:

3.4 to 1B9190 & 1B26306
 3.8 to 1B 59652 & 1B80375

1. Bolt		7720	8
2. Bleed Nipple		556508J	2
3. Piston and cylinder assembly			
	RH	10095	1
	LH	10109	1
4. Piston in caliper		10111SS	2
5. Brake pad set		11247	1
6. Caliper position adjusting shim			
	0.004"	C7569	A/R
	0.010"	C11723	A/R
7. Front brake disc	Standard	C23484	2
	Upgraded	C26779ROS	2
8. Front caliper seal kit		SP2776	1

DUNLOP REAR BRAKES up to chassis number

3.4 1B9190 & 1B26306
 3.8 1B 59652 & 1B80375

9. Bolt		7720	8
10. Bleed Nipple		556508J	2

11. Piston and cylinder assembly

	RH	10114	1
	LH	10120	1
12. Piston in caliper	Standard	10122	2
	Stainless steel	10122SS	2
13. Brake pad set		11247	1

14. Caliper position adjusting shim

	0.005"	C13198	A/R
	0.020"	C13199	A/R

15. Rear brake disc

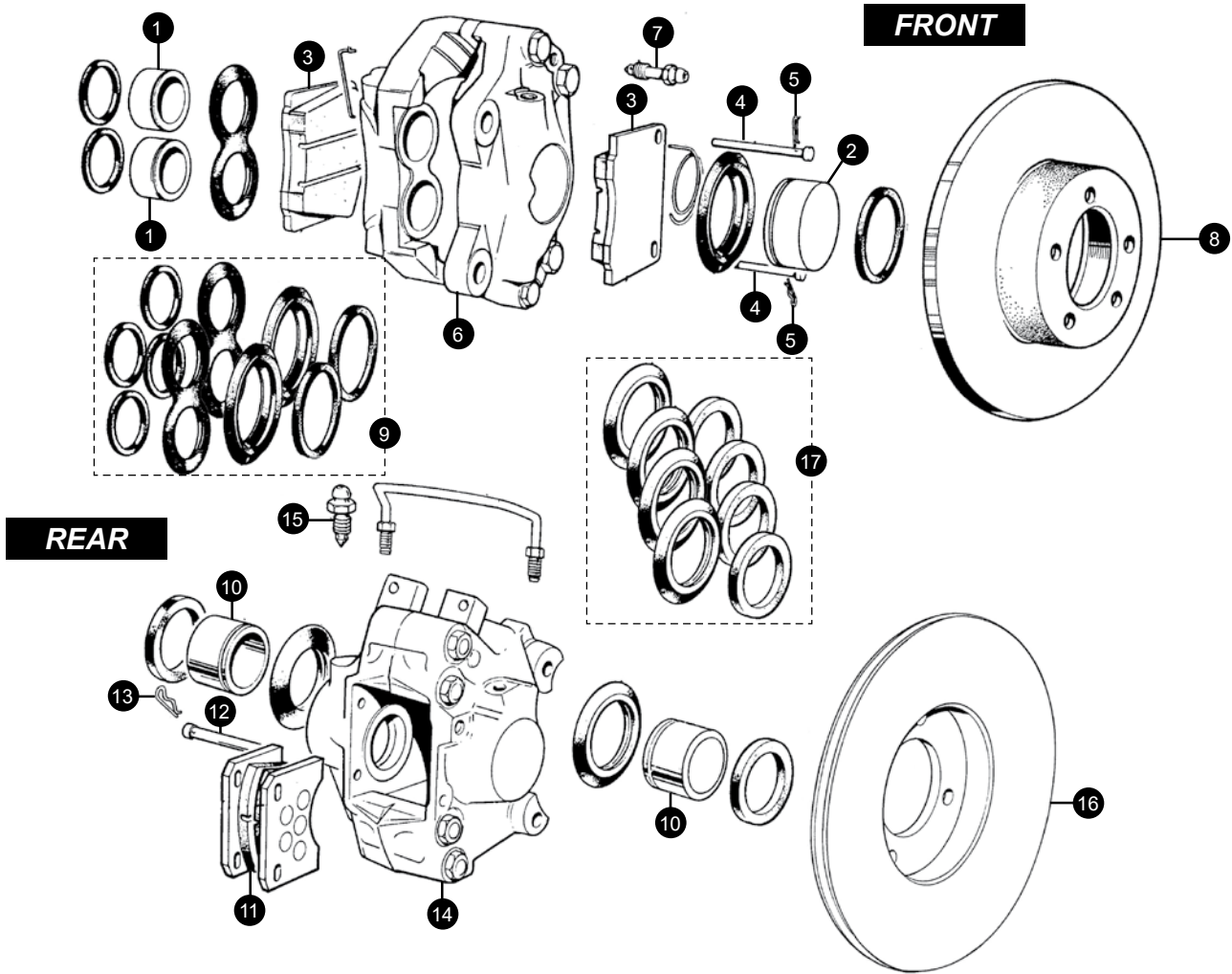
	Standard	C26779	2
	Upgraded	C26779ROS	2
16. Rear caliper seal kit		SP2775	1

Brake caliper upgrade conversions

A quick and easy conversion to fit that has three stainless steel pistons housed within a solid style caliper offering the benefit of greater braking power but also greatly increasing the pad area contacting the brake disc.

Front kit for existing standard solid discs	SBS9086	1
Front kit with vented discs	SBS9093	1
Rear caliper upgrade		
(Bolt straight on later XJ rear calipers)	AAU3378	1
	AAU3379	1

LATER S-TYPE BRAKES



GIRLING FRONT BRAKES from chassis number:

3.4 1B9191 & 1B26307
3.8 1B 59653 & 1B80376

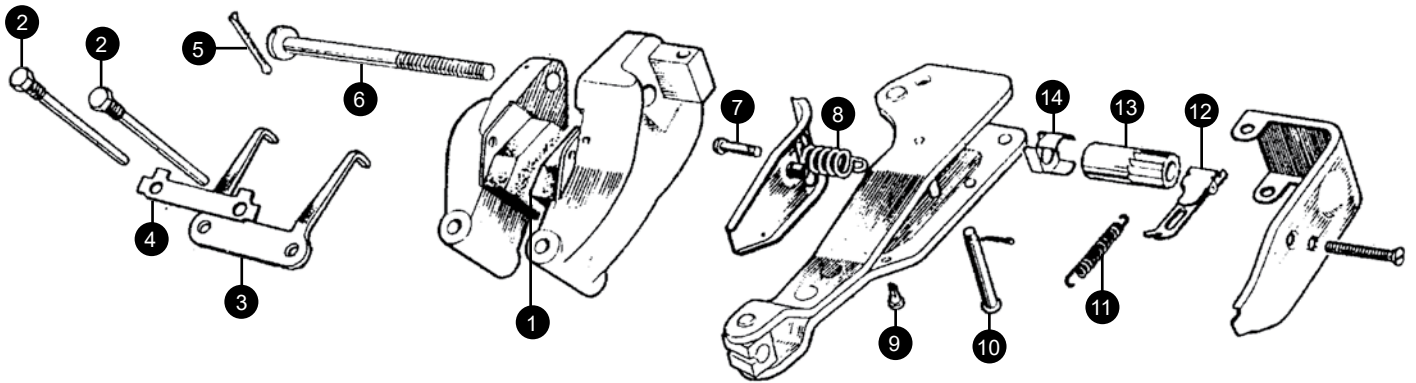
1. Outer small brake piston			
Standard	11365	4	
Stainless steel	11365SS	4	
2. Inner large brake piston			
Standard	605600SS	2	
Stainless steel	605600SS	2	
3. Brake pad set			
Standard	JLM9515	1	
Kevlar	JLM9515K	1	
4. Brake pad retaining pin	11368	2	
5. Brake pad retaining pin clip	11369	2	
6. Front brake caliper assembly			
RH	C26930	1	
LH	C26931	1	
7. Bleed nipple	601959	2	
8. Front brake disc			
Standard	C27024	2	
With 10.75" outside diameter	C27024SPEC	2	
9. Front brake caliper seal set	11371	1	

GIRLING REAR BRAKES from chassis number:

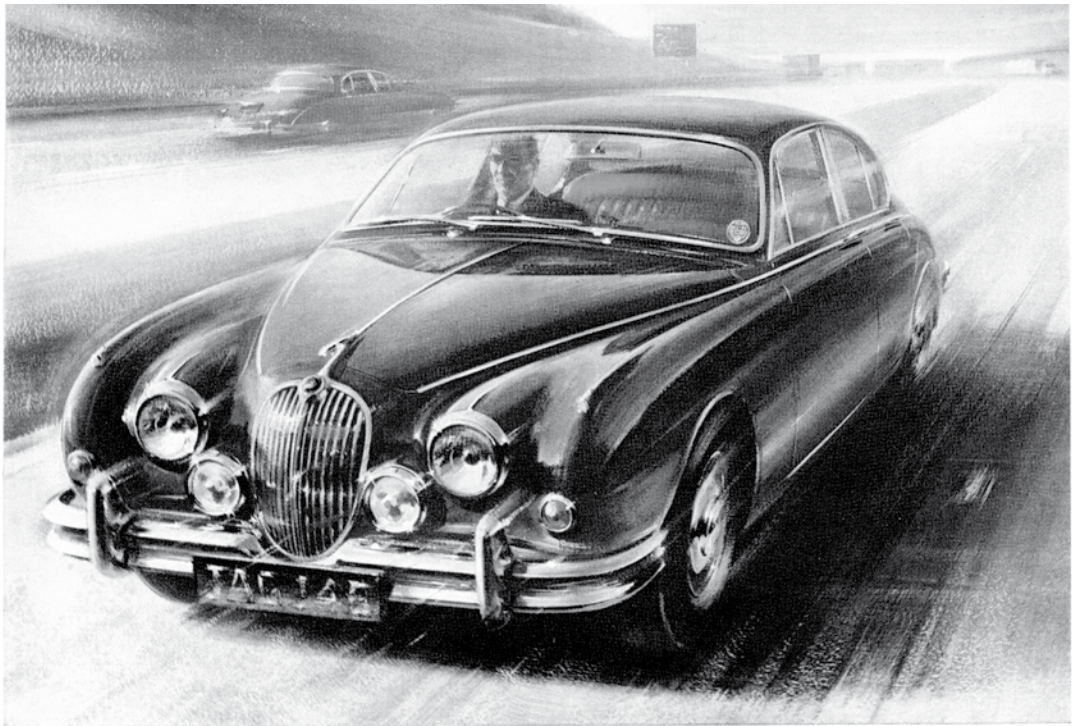
3.4 1B9191 & 1B26307
3.8 1B 59653 & 1B80376

10. Brake piston	Standard	11372	4
	Stainless steel	11372SS	4
11. Brake pad set	Standard	JLM9728	1
	Kevlar	JLM9728K	1
12. Brake pad retaining pin		11368	2
13. Brake pad retaining pin clip		11369	2
14. Rear brake caliper assembly			
	RH	11833	1
	LH	11832	1
15. Bleed nipple		556508J	2
16. Rear brake disc	Standard	C26779	2
	Uprated	C26779ROS	2
17. Rear brake caliper seal set		11376	1

S-TYPE HANDBRAKE CALIPER



1. Handbrake pad set	JLM9518	1	8. Return spring	8940	2
2. Handbrake attachment bolt	8016	4	9. Anchor pin	8938	2
3. Retraction fork	9750	2	10. Hinge pin	8841	2
4. Retraction fork locktab	9751	2	11. Pawl tension spring	8837	2
5. Cotter pin	3752	2	12. Pawl assembly	8836	2
6. Adjustment bolt	8845	2	13. Handbrake ratchet nut	8980	2
7. Anchor pin	8938	2	14. Ratchet nut friction spring	8840	2

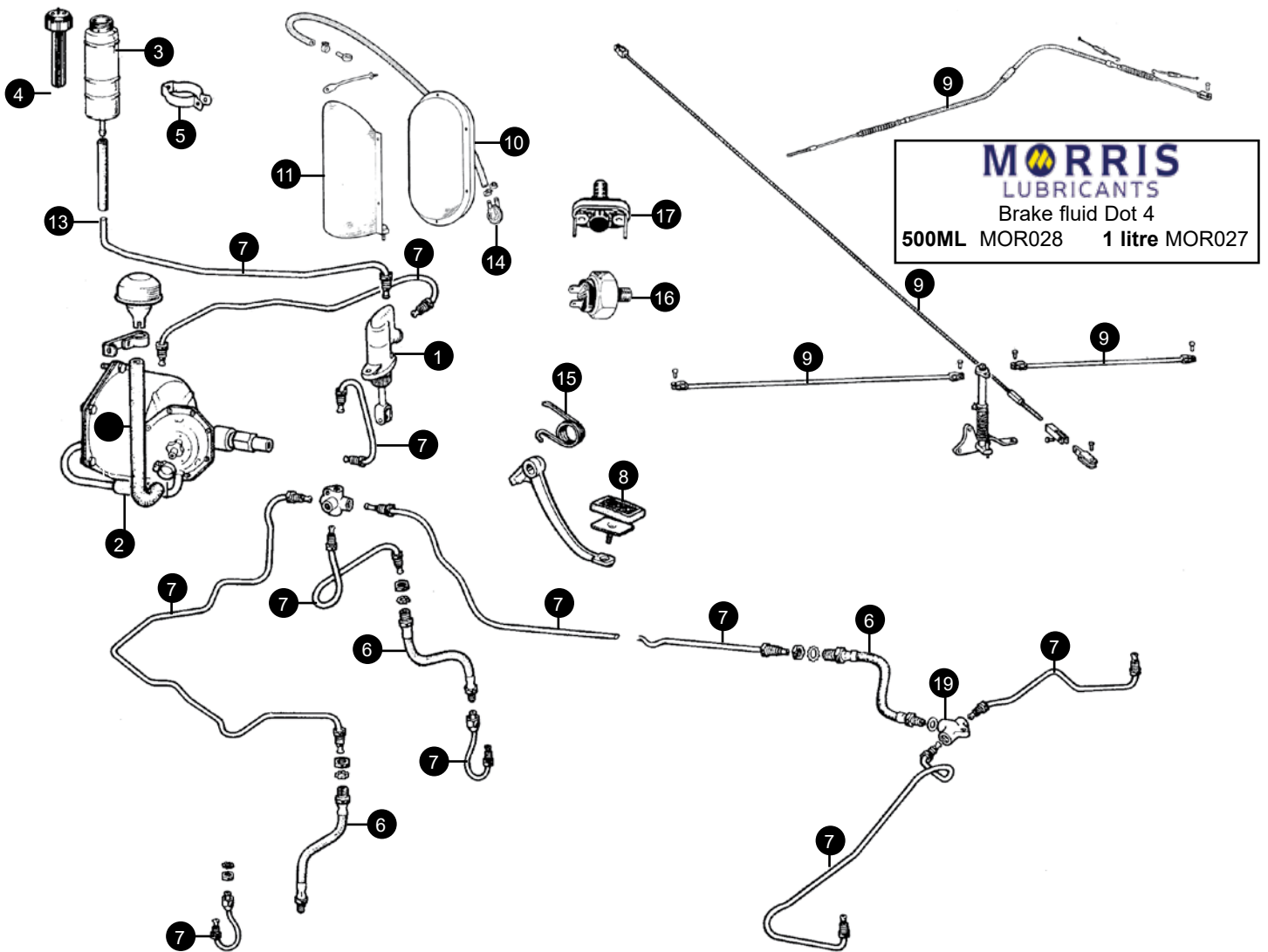


The 3-4 Mark 2 Saloon

A special kind of motoring which no other car in the world can offer ...

JAGUAR
Grace... Space... Pace

BRAKING SYSTEM COMPONENTS



1. Brake master cylinder

MK2/V8	Dunlop	11977	1
	Girling	C27160	1
S-Type- original cylinder obsolete use		C27186	1

Brake master cylinder repair kit

All models	Dunlop	605164	1
	Girling	11608	1

2. Brake servo

MK2/V8		C19612	1
S-Type	Early small type	C19612	1
	Later larger type	C24707	1

Alternative replacement servos

More modern, slightly smaller with greater efficiency			
3:1 boost ratio with fitting kit		LE10117	
4:25:1		LR18230	

Brake servo repair kit (C19612 unit)

MK2/V8/S-Type early			
Drum		8055	1
Main		8415	1
Air valve		9211	1

S-Type late (C24707 unit) 10809 1

3. Brake fluid reservoir C23638 1
4. Brake fluid reservoir cap C23632 1
Rubber cover C23627 1

5. Brake fluid reservoir bracket
 RHD C23497 1
 LHD C23497 1

6. Flexible brake hoses
Standard Rubber
 MK1/2/V8 Front C13686 2
 Rear C13687 1

S-Type Front C13686 2
 Rear CBC1396 1

Large fine thread nut C3910 3
Washer C3911 3

Goodridge Braided Front Rear
 MK2/V8/S-Type Front C13686SS 2
 Rear C13687SS 1

BRAKING SYSTEM COMPONENTS

S-Type	Front	C13686SS	2
	Rear	C30754SS	1

7. Cunifer brake pipe set

Full set with each pipe, cut to length, fitted with unions and it's position on the car clearly marked.

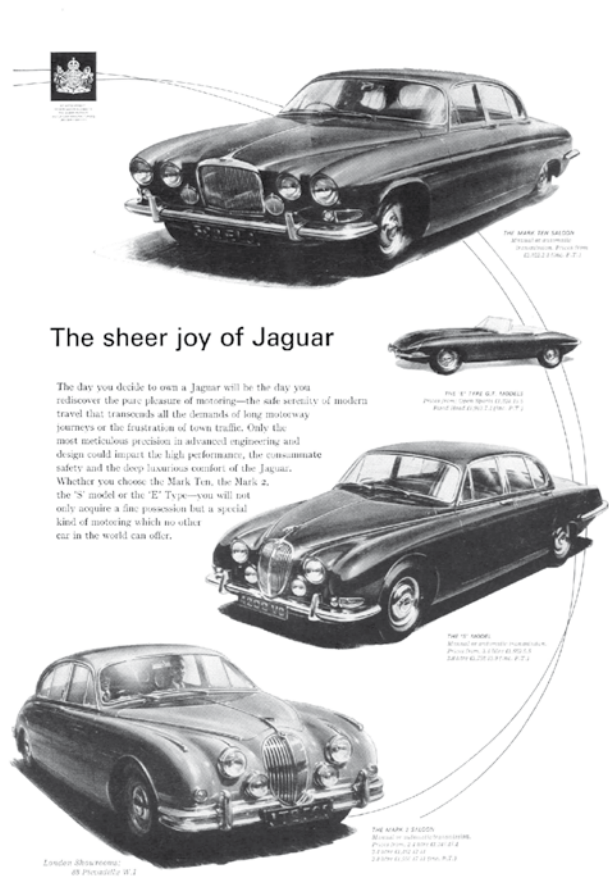
	<u>RHD</u>	<u>LHD</u>	
MK2 2.4 to 1966	GB5501	GL5501	1
1966 on	GB5502	GB5502	1
MK2 3.4/3.8 to 1966	GB5503	GB5503	1
1966 on	GB5504	GB5504	1
S-Type	GB5519	GB5519	1

8. Brake pedal rubber

	<u>Manual</u>	<u>Auto</u>	
MK2	C8969	C6876	1
Daimler V8	C27521	C6876	1
S-Type	C8969	C6876	1

9. Handbrake cable

MK2/V8	Main	C15512	1
	RH rear	C19495	1
	LH rear	C19496	1
S-Type		C22026	1



The sheer joy of Jaguar

The day you decide to own a Jaguar will be the day you rediscover the pure pleasure of motoring—the safe serenity of modern travel that transcends all the demands of long motorway journeys or the frustration of town traffic. Only the most meticulous precision in advanced engineering and design could impart the high performance, the consummate safety and the deep luxurious comfort of the Jaguar. Whether you choose the Mark Ten, the Mark 2, the 'S' model or the 'E' Type—you will not only acquire a fine possession but a special kind of motoring which no other car in the world can offer.

10. Brake vacuum tank

MK2/V8/S-Type	C24910	1
---------------	--------	---

11. Brake vacuum tank stone shield

C24913	1
--------	---

12. Brake vacuum/fluid hose

Vacuum hose braided type (per foot)	BR1010	A/R
Vacuum hose smooth type (per metre)	C14963	A/R

13. Brake fluid reservoir hose (original braided type)

C200725	A/R
---------	-----

14. Brake vacuum valve

C14693	1
--------	---

15. Brake pedal return spring

MK2/V8/S-Type		
Manual	C8963	1
Auto	C8966	1

16. Brake light switch

C16062	1
--------	---

17. Handbrake warning light switch

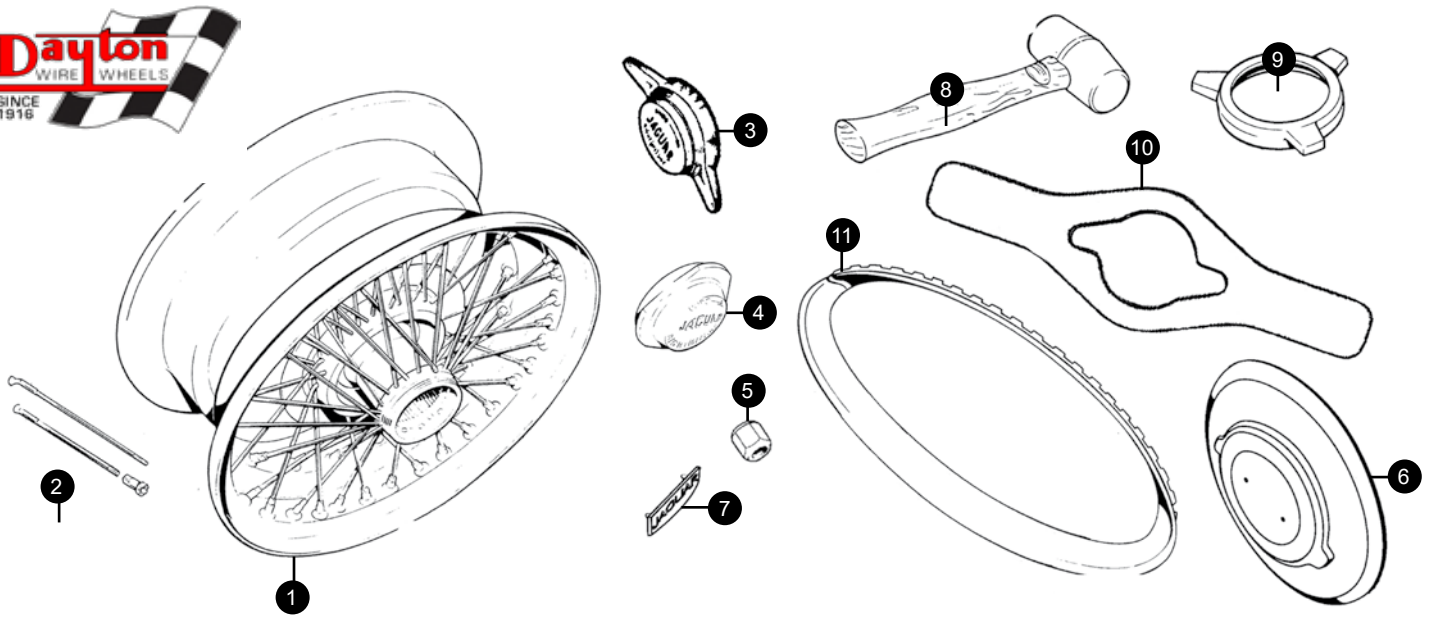
C16660	1
--------	---

18. Brake servo breather hose

C13883	1
--------	---

19. 3 way union

C29888	1
--------	---



SNG Barratt have been selling Dayton Wire Wheels, which are made by skilled craftsmen in the USA, for several years now. In that time we have found that our customers are not only thrilled by their price, but also by the quality of their construction too! If you're thinking of fitting chrome wire wheels to your Jaguar or replacing a set that have seen better days, take a look at this list of Dayton features before you decide which wheels to buy!

a) Stainless steel spokes which cannot rust and have twice the fatigue resistance of chrome-plated spokes.

b) Swaged spokes which are thicker at the hub and tapered to the rim. The swaging process gives the spoke a smooth, brilliant finish, provides more even distribution of stress, and allows the use of more spokes for added strength.

c) Four-layer nickel-chrome plating for greater durability and corrosion resistance.

d) Custom designs with the bolt circle and center locating hole precisely machined to each vehicle's original wheel specification for smooth running.

e) Expert polishing of all parts. Rims are polished on both front and back sides.

f) Fully tested designs to the Society of Automotive Engineers' specification J328 for fatigue resistance.

g) Each wheel is hand-tightened and gauged for concentricity. Spokes are pre-loaded with even tension for durability and precise wheel alignment. Periodic retuning and retightening are not required.

h) Three year comprehensive manufacturer's warranty.

1. Wire wheel	15x5J	15x6J	16x6J	16x7J
Curly hub to '67	D455	JB156	JB166	-
Flat hub '67 on	D472	EB156	EB157	EB167
Centre laced	-	JW156	-	-

2. Wire wheel spokes (standard size wheels)

	Long	Short	
Curly hub	7796	7801	A/R
Flat hub	7796	C37426	A/R

3. Two eared chrome spinner

RH C1102	LH C1103	2
----------	----------	---

4. Three eared Continental chrome spinner

RH C28684	LH C28685	2
-----------	-----------	---

5. Wheel nut (for pressed steel wheels)

C3041	16
-------	----

6. Chrome hub cap

Jaguar early with long badge	C3243	4
Jaguar late with round badge	C27134	4

Daimler V8 to 1A12580/1A20564	C21260	4
Daimler V8 1A12581/1A20565 on	C27134	4

7. Hubcap badge

Jaguar early long badge	C3367	4
Jaguar late with round badge	C27140	4
Daimler (all models)	C21256	4

8. Wire wheel hammer

Copper/Hide	C992	1
Lead (Mazak/Zinc)	C27290	1

9. Three eared spinner tool

C28687	1
--------	---

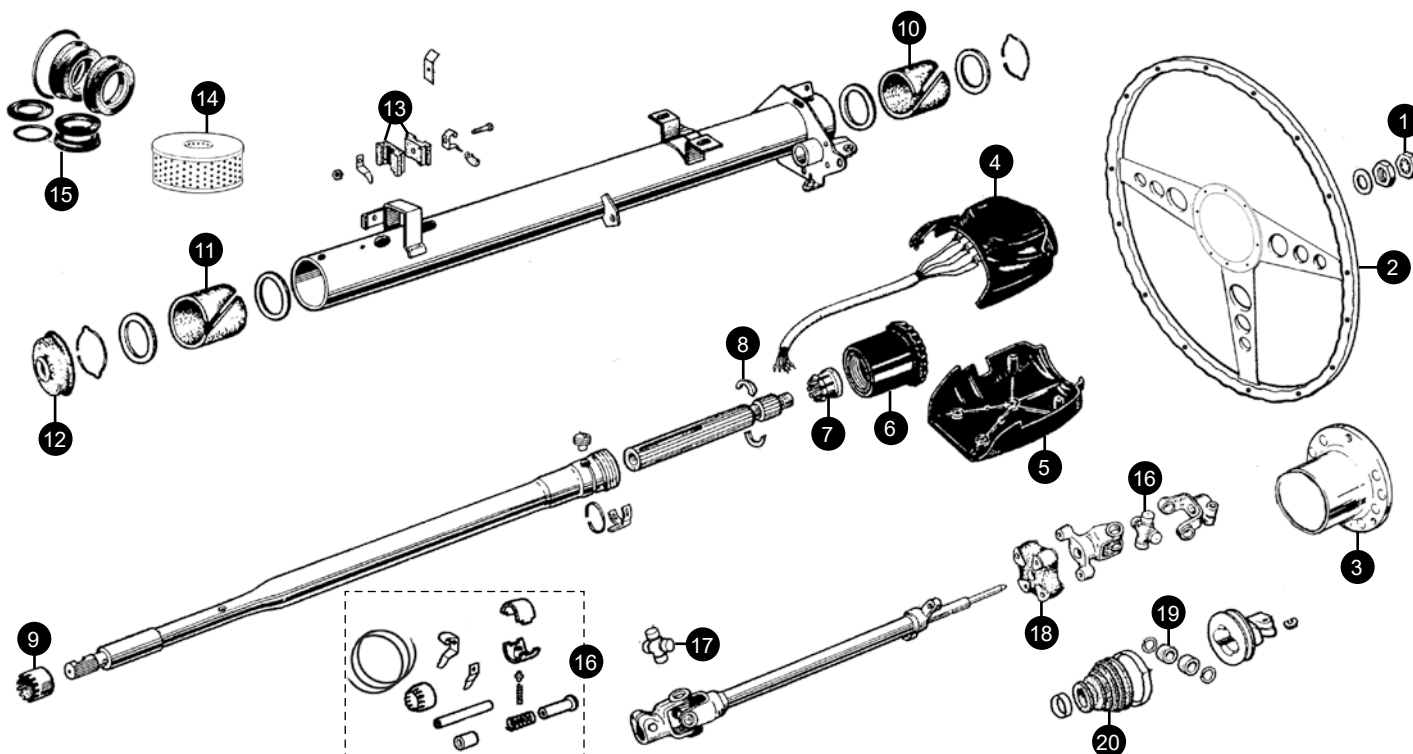
10. Wooden two eared spinner saver

SBS9306	1
---------	---

11. Chrome wheel rim trim

C21983	4
--------	---

STEERING



1. Steering wheel nut C7879 1

2. Motolita woodrim steering wheel

Our best selling wheel simply looks great on any MK2, S-Type or V8. Simply select the diameter that suits you best from 13, 14 or 15 inches and add the boss kit listed below.

13"	MLW1115-13	1
14"	MLW1115-14	1
15"	MLW1115-15	1



Derrington reproduction steering wheel which was another popular accessory steering wheel fitted to Jaguar saloons in the 1960's.

C25198 1



3. Motolita steering wheel boss (for MLW 1115 style wheel)

Includes hornpush B33H 1

4. Upper column cover C15685 1

5. Lower column cover C15420 1

6. Column locknut C40029 1

7. Split collet 8671 1

8. Collets C7878 pair

9. Horn slip ring C10317 1

10. Upper steering column bush

Felt C10264 1

Plastic C23592 1

11. Lower steering column bush

Felt C20149 1

Plastic C23593 1

12. Lower seal C3323 1

13. Contact holder C8158 2

14. Power steering oil filter 7752 1

15. Seal repair kit

Steering pump SU9008 1

Steering box Manual steering main seal 6415 1

Early power steering SU9001 1

Late power steering 1026/11027 1

16. Horn & steering column repair kit SBS1281 1

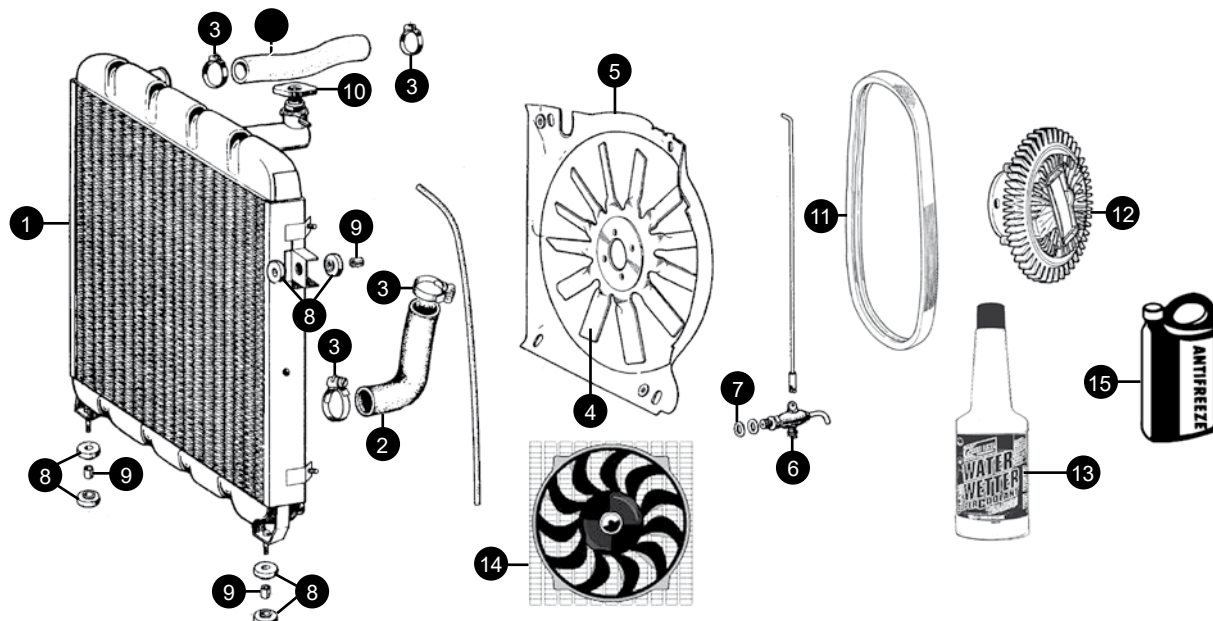
Contains everything needed to get your horn working again!

17. Steering column UJ 5426 1/2

18. Steering column rubber coupling 150696 1

19. Steering column nylon rollers 9614 2

20. Steering column gaiter 9616 1



1. Radiator assembly

All radiators are available to order as reconditioned, new or reproduced in aluminium.

MK2	early	C12672	1
	late	C27105	1
V8 2.5/250	manual	C27470	1
1A1001-1A12039	auto	C24917	1
1A20001-1A20545			
1A12040 on, 1A20546 on	auto	C27181	1
S-Type	manual	C27105	1
	auto	C25970	1

2. Cotton reinforced water hose kits

MK2 2.4	HK013R	1
MK2 240	HK012R	1
MK2 3.4/3.8	HK011R	1
MK2 340	HK016R	1
V8 2.5/250	HK014R	1
S-Type 3.4/3.8	HK015R	1

3. Hose clip set

MK2 2.4/240	HK013/C	1
MK2 3.4/3.8	HK011/C	1
340	HK016/C	1
V8 2.5/250	HK014/C	1
S-Type	HK015/C	1

4. Radiator cooling fan

MK2	C12391	1	
V8	7A1001-7A1098	C21721	1
	7A1099 on	C21735	1
S-Type	C12391	1	

5. Radiator fan cowl

MK2/S-Type	C24965	1
V8	C24964	1

6. Radiator drain tap

C4439/1 1

7. Radiator drain tap washer

C784 1

8. Radiator mounting pad

C8975 1

9. Mounting rubber spacer tube

C8976 1

10. Radiator pressure cap

MK2	very early deep seat 4lb	C10289	1
	later shallow seat 4lb	C18460	1
Daimler V8	7lb	C18484	1
S-Type	4lb	C18460	1

11. Drive belts

MK2 2.4/240		C19523	1
MK2 3.4/3.8/340		C19525	1
Daimler V8	Dynamo	C21025	1
	Alternator	C27354	1
	Power steering	C21109	1
S-Type 3.4/3.8		C19525	1

12. Viscous fan coupling

Daimler V8	NBC2215AA	1
------------	-----------	---

13. Water Wetter miracle coolant

CH2077 A/R

Simply add to the coolant on your Jaguar and it can reduce the running temperature of your cooling system by up to 20 degrees Fahrenheit.

14. Kenlowe Thermostatically Controlled Electric Fan Kit

Electrically powered fan kit that is fitted to supplement the original fan that can be set to cut in and out at your preferred temperature.

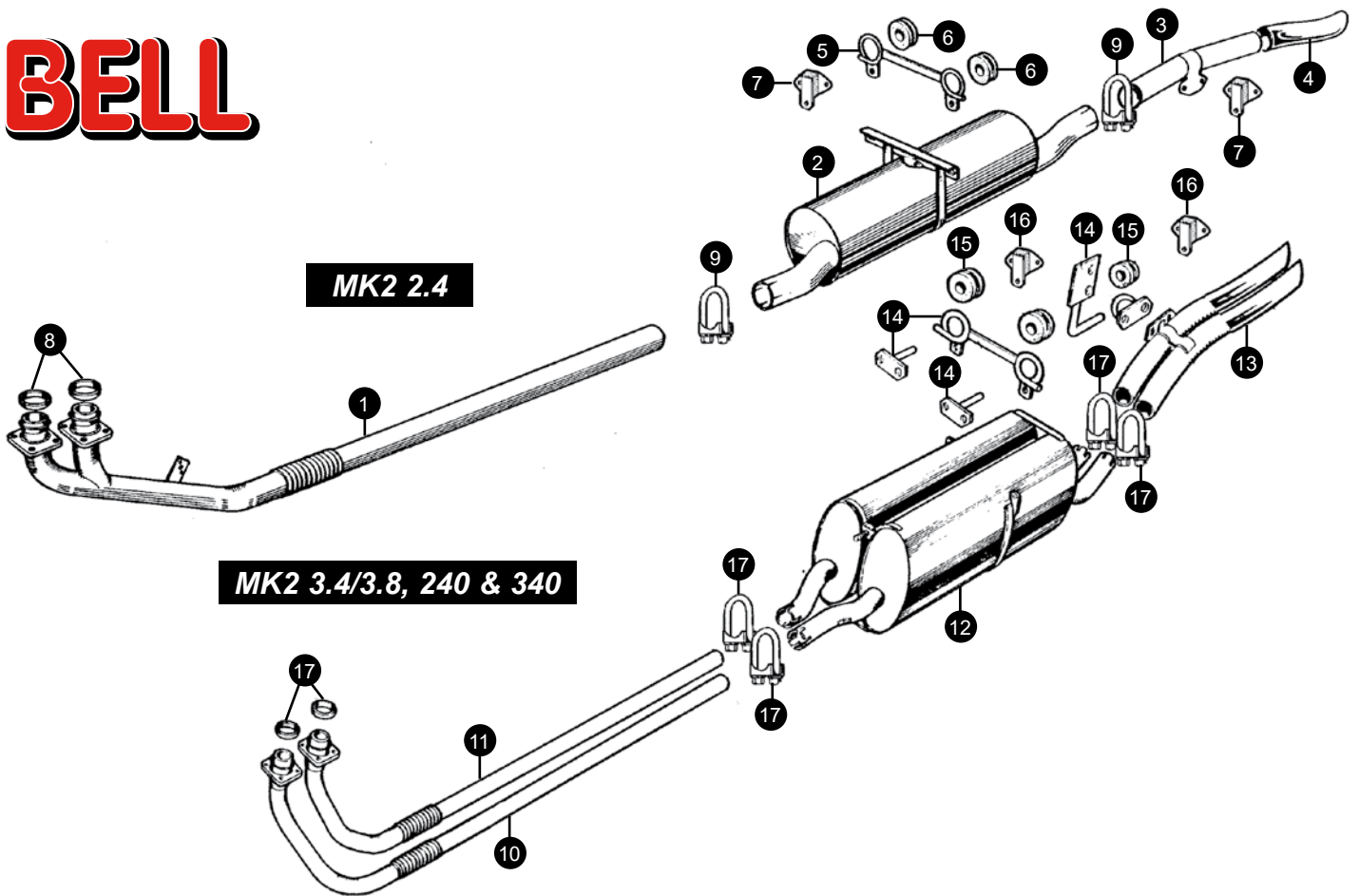
All models	SBS1341	1
------------	---------	---

15. Jaguar Antifreeze 1 Litre

JLM204042 A/R

MK2 STAINLESS EXHAUST SYSTEMS

BELL



MK2 2.4 full single system BSSJR005 1
Complete exhaust fitting kit
 (Mountings, clamps and seals) EFK015 1

1. Front pipe BSJR69 1
2. Silencer BSJR115 1
3. Tailpipe BSJR114 1
4. Tailpipe polished trim BSJR112 1
5. Hanging bracket set SBS5002 1
6. Mounting rubber in hoops C25020 2
7. Rubber mounting (alternative to original bracket set and as supplied in our fitting kit) C8397 3
8. Downpipe seal EBC9388 2
9. Exhaust clamp GEX9008 2

MK2 240 full twin system BSSJR006 1
Complete exhaust fitting kit
 Mountings, clamps and seals EFK015 1

MK2 3.4/3.8 full twin system
 1960-61 early cars BSSJR007 1
 Mountings, clamps and seals EFK015 1

MK2 3.4/3.8/340 full twin system
 1961 on later cars BSSJR009 1
 Mountings, clamps and seals EFK015 1

10. Front downpipe
 240 BSJR118 1
 3.4/3.8 1960-61 BSJR59 1
 3.4/3.8 1961 on BSJR70 1

11. Rear downpipe
 240 BSJR119 1
 3.4/3.8 1960-61 BSJR60 1
 3.4/3.8 1961 on BSJR71 1

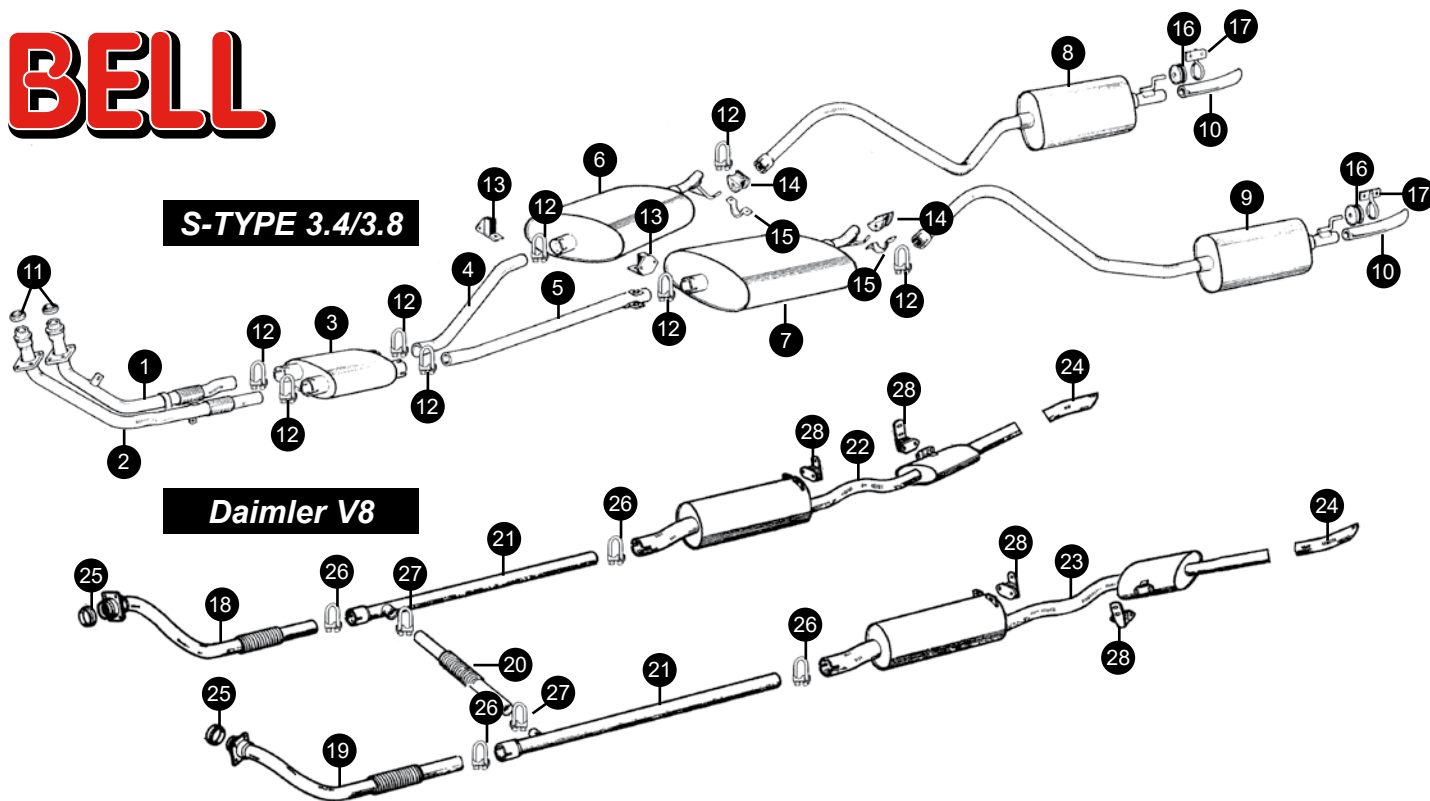
12. Silencer BSJR110 1
13. Tailpipe BSJR35 1
14. Hanging bracket set SBS5002 1
15. Mounting rubber in hoops C25020 3

16. Rubber mounting
 (alternative to original bracket set and as supplied in our fitting kits)
 Straight C8397 3
 Angled 90 degrees (where used) JLM9542 A/R

17. Downpipe seal EBC9388 2
18. Exhaust clamp GEX9008 4

S-TYPE & V8 STAINLESS EXHAUST SYSTEMS

BELL



S-Type 3.4/3.8 full system BSSJR011 1
Complete exhaust fitting kit
 (Mountings, clamps and seals) EFK012 1

1. Front pipe RH	BSJR61	1
2. Front pipe LH	BSJR62	1
3. Binocular box	BSJR48	1
4. Interpipe RH	BSJR63	1
5. Interpipe LH	BSJR64	1
6. Silencer box RH	BSJR65	1
7. Silencer box LH	BSJR66	1
8. Silencer and tailpipe RH	BSJR98	1
9. Silencer and tailpipe LH	BSJR99	1
10. Chrome tailpipe trim	BSJR100	2
11. Downpipe seal	EBC9388	2
12. Exhaust clamp	GEX9008	8
13. Mounting 90 degrees	JLM9542	2
14. Mounting rubber	C19632	2
15. Bracket	C19631	2
16. Mounting rubber	C22410	2
17. Mounting ring	C23262	2

Daimler V8 full system BSSJR012 1
Complete exhaust fitting kit
 (Mountings, clamps and seals) EFK014 1

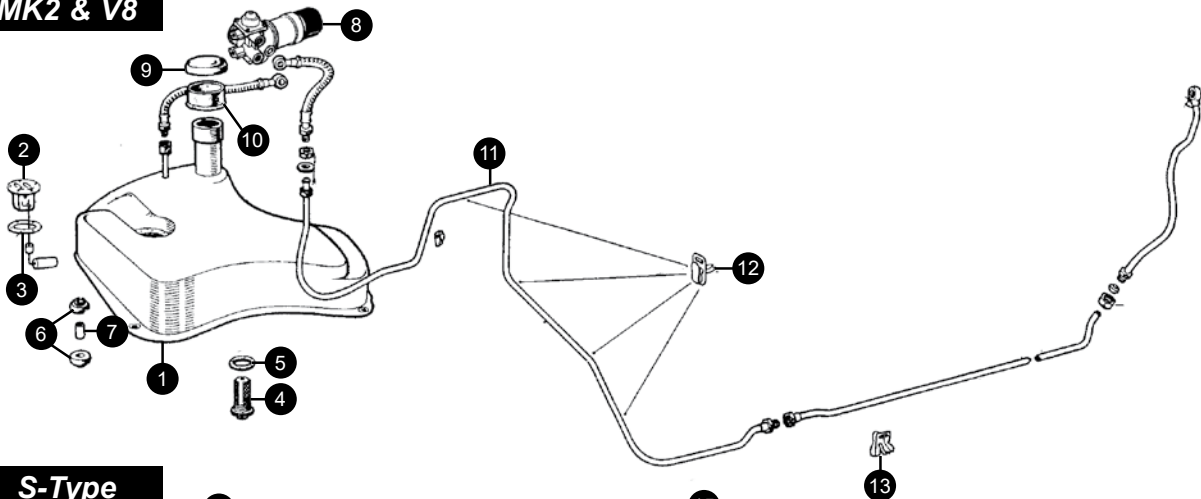
18. Front pipe RH	BSJR72	1
19. Front pipe LH	BSJR73	1

20. Balance pipe	BSJR74	1
21. Interpipe	BSJR82	2
22. RH Silencer & interpipe	BSJR92	1
23. LH Silencer & interpipe	BSJR93	1
24. Tailpipe trim	BSJR94	2
25. Downpipe seal	EBC9388	2
26. Exhaust clamp 48mm	GEX9008	4
27. Exhaust clamp 36mm	ECL36	2
28. Mounting	C8397	4

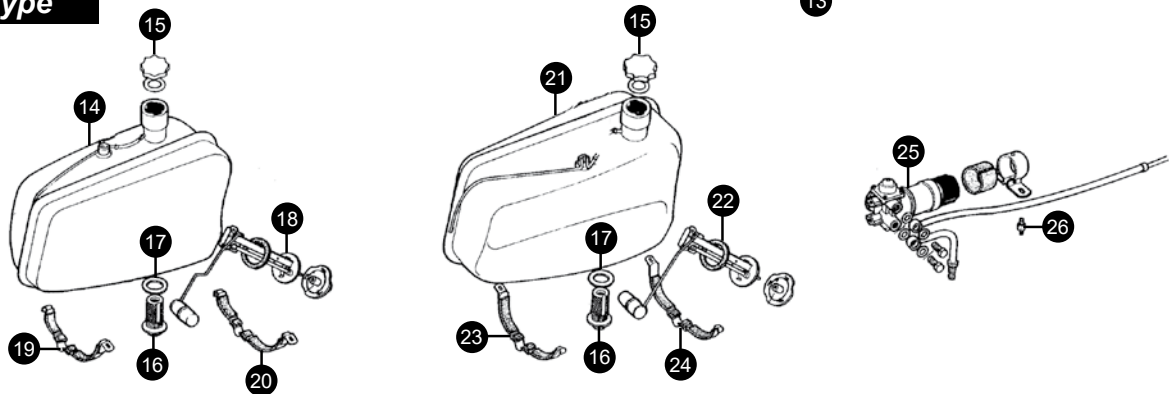


FUEL SYSTEM

MK2 & V8



S-Type



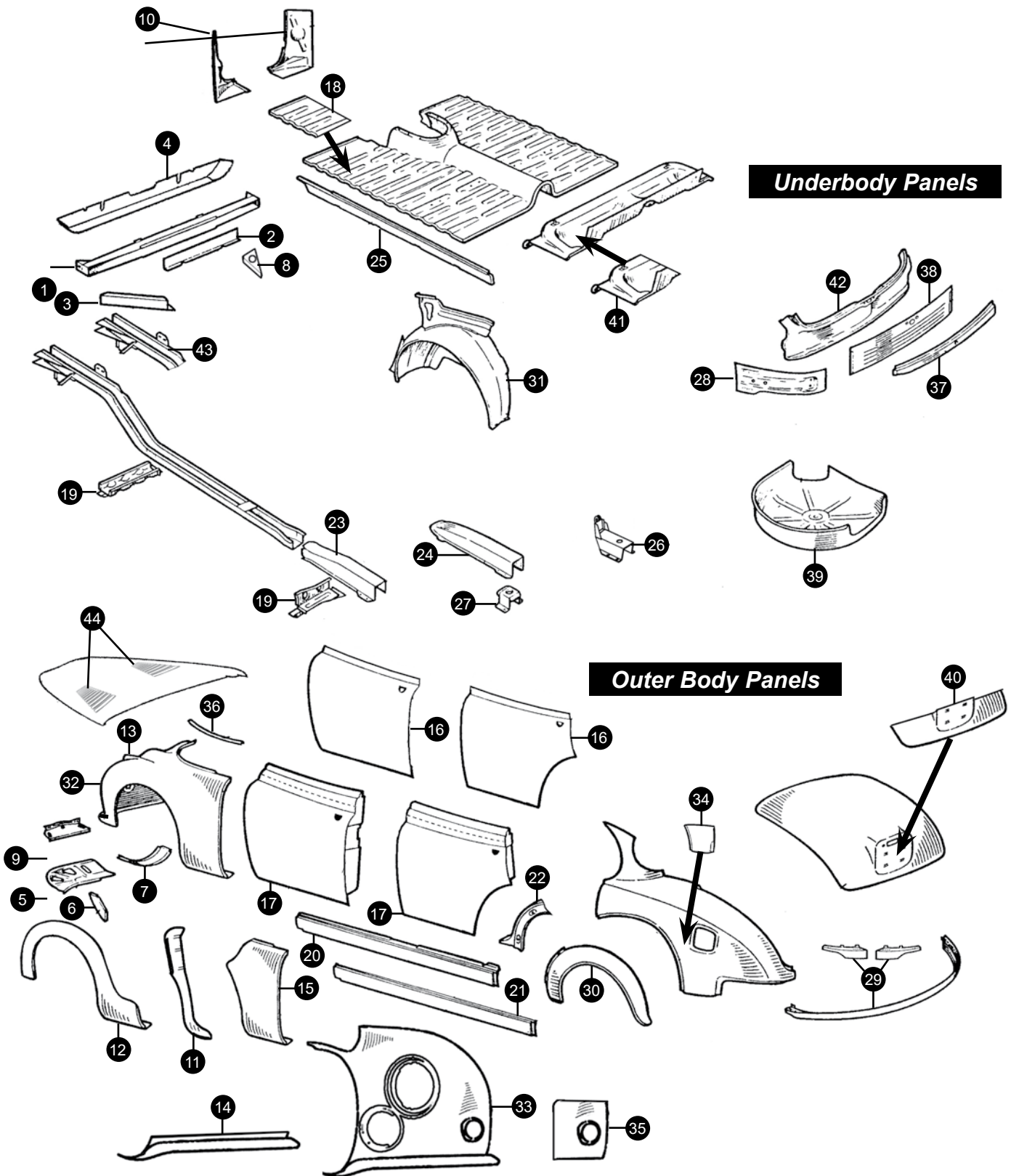
MK2 & V8

1. Fuel tank	C17565	1
2. Fuel sender unit	C15476	1
Screw	UFS313/3H	6
Washer	C2296/9	6
3. Gasket	C937	1
4. Sump filter	C990/1	1
5. Seal	C26310	1
6. Tank mounting pad	C3053	6
7. Spacer tube	C6390	3
8. Fuel pump		
Negative earth (standard points type)	AZX1308	1
Negative earth (solid state type)	AZX1308EN	1
Positive earth (standard points type)	AZX1319	1
Positive earth (solid state type)	AZX1319EN	1
Fuel pump banjo bolt	C11488	2
Fuel pump banjo washer	AUC2141	4
9. Fuel filler cap		
Non Locking	C23601	1
Locking	C12816	1
10. Neck seal	BD9898	1
11. Fuel pipe kit	SBS1224	1
12. Fuel pipe clip	C10268	7
13. Fuel pipe clip	C3737	3/5

S-Type

14. Fuel tank LH	C22469	1
15. Fuel filler cap		
Non Locking	C23601	2
Locking	C12816	2
16. Sump filter	C990/1	2
17. Seal	C26310	2
18. Fuel sender unit LH	C21974	1
19. Tank support strap LHR	BD25256	1
20. Tank support strap LHF	BD25254	1
21. Fuel tank RH	C22470	1
22. Fuel sender unit RH	C26211	1
23. Tank support strap RHR	BD25255	1
24. Tank support strap LHF	BD25253	1
25. Fuel pump		
Negative earth (standard points type)	AZX1308	1
Negative earth (solid state type)	AZX1308EN	1
Positive earth (standard points type)	AZX1319	1
Positive earth (solid state type)	AZX1319EN	1
Fuel pump banjo bolt	C11488	4
Fuel pump banjo washer	AUC2141	8
26. Fuel pump mounting	C24792	4

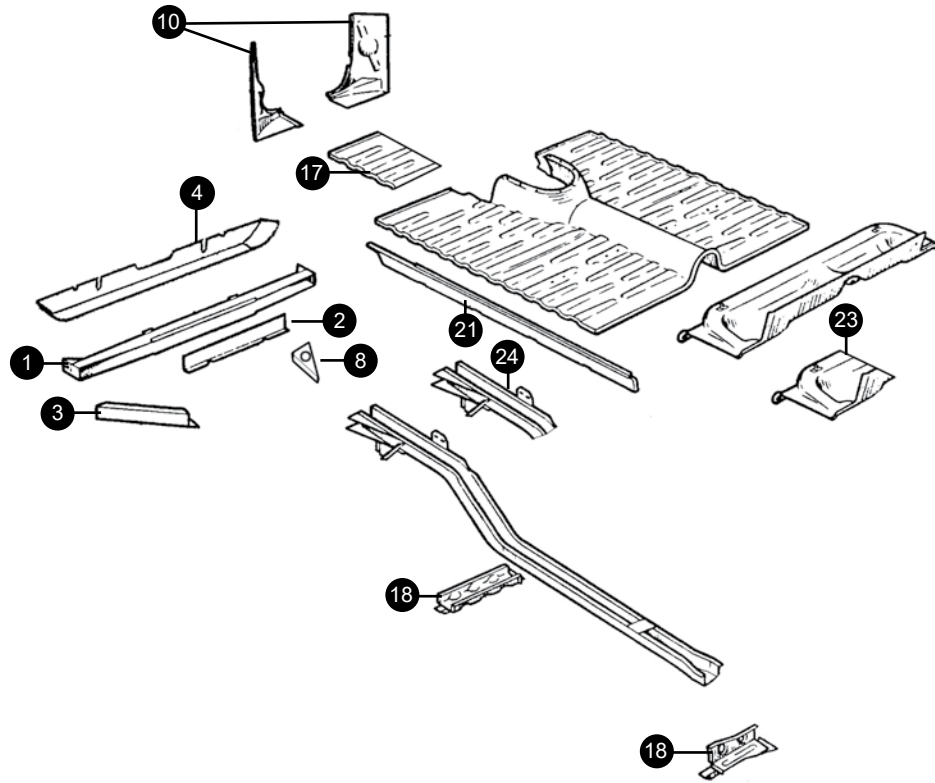
MK2, V8, 240 & 340 BODY PANELS



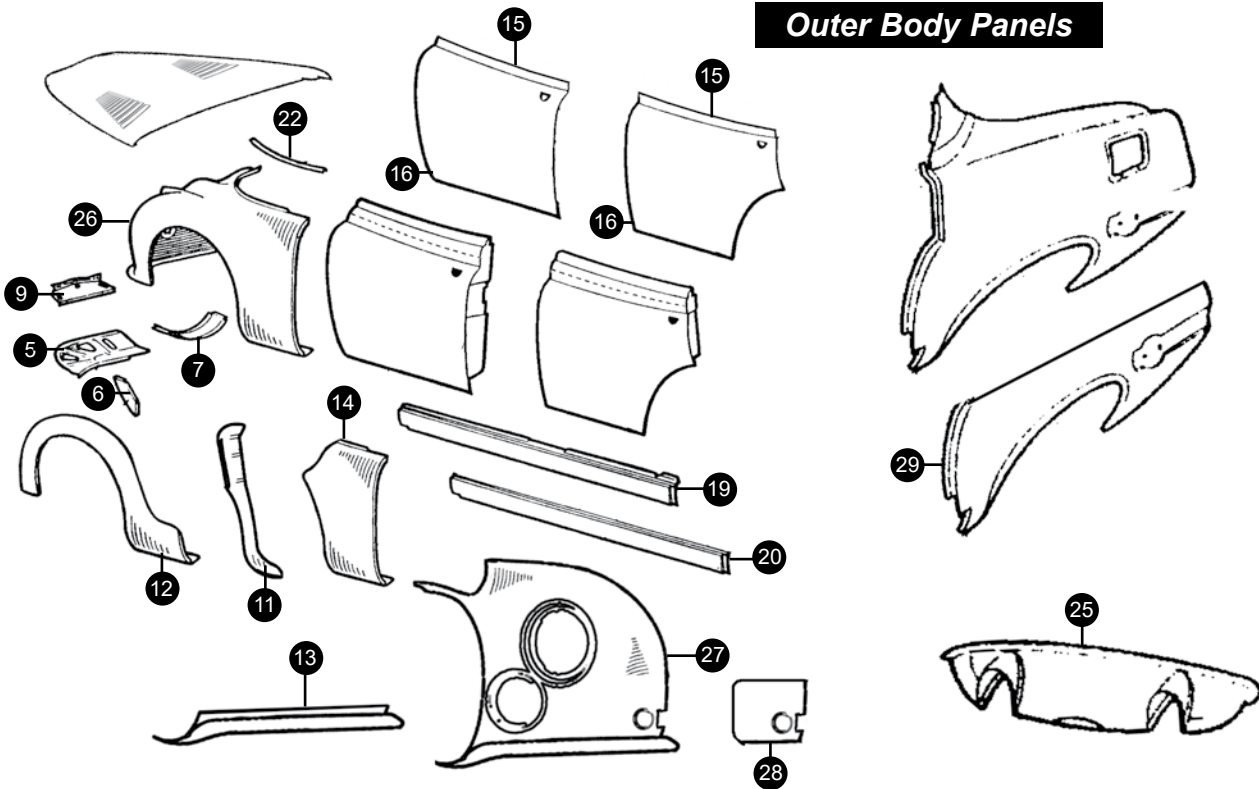
MK2, V8, 240 & 340 BODY PANELS

1. Front crossmember	5137	1			
2. Front crossmember closing panel	4130	1			
3. Front crossmember brace					
RH	4128	1			
LH	4129	1			
4. Front crossmember valance 240/340/V8250 models only	BD25969	1			
5. Front wing stay bracket					
RH	6602	1			
LH	6603	1			
6. Gusset reinforcing stay bracket					
RH	6604	1			
LH	6605	1			
7. Saddle panel under grille	6627	1			
8. Radiator mounting bracket					
RH	6584	1			
LH	6585	1			
9. Radiator access panel	6721	1			
10. Radiator cowl					
RH	7219	1			
LH	7220	1			
11. Baffle splash panel behind front wheel					
RH	10529	1			
LH	10530	1			
12. Front wheelarch repair section					
RH	MRK012RH	1			
LH	MRK012LH	1			
13. Sidelamp housing repair section	MRK013	2			
14. Lower front skirt repair section					
RH	MRK014RH	1			
LH	MRK014LH	1			
15. Rear half of front wing repair section					
RH	MRK015RH	1			
LH	MRK015LH	1			
16. Door skin 3/4 repair section					
RHF	8154	1			
LHF	8155	1			
RHR	8159	1			
LHR	8160	1			
17. Door frame lower repair panel					
RHF	MRK016DBRHF	1			
LHF	MRK016DBLHF	1			
RHR	MRK016DBRHR	1			
LHR	MRK016DBLHR	1			
18. Front floor panel repair section above jacking point					
RH	MRK017RH	1			
LH	MRK017LH	1			
19. Jacking point and outrigger assembly					
All models					
RHF	6738	1			
LHF	6739	1			
RHR	6736	1			
LHR	6737	1			
20. Full sill with step					
RH	4109	1			
LH	4110	1			
21. Sill repair section without step					
RH	MRK020ARH	1			
LH	MRK020ALH	1			
22. D post repair section					
RH	MRK021RH	1			
LH	MRK021LH	1			
23. Upper reinforcing channel for rear spring					
RH	6722	1			
LH	6723	1			
24. Lower reinforcing channel rear spring					
RH	6582	1			
LH	6583	1			
25. Inner sill					
RH	7003	1			
LH	7032	1			
26. Panhard rod mounting bracket	8933	1			
27. Upper spring clamp	6741	1			
28. Tonneau panel					
RH	8119	1			
LH	8120	1			
29. Rear lower valance					
MK2 3.4/3.8 thin valance, fat bumper	8321	1			
MK2 2.4 thin valance, fat bumper	MRK028B	1			
240/340 fat valance, thin bumper	MRK028A	1			
Daimler V8 2.5 thin valance, fat bumper	MRK028C	1			
Daimler V8 250 fat valance, thin bumper	MRK028E	1			
30. Rear spat panel					
Standard					
RH	BD17011	1			
LH	BD17012	1			
Steel sports type					
RH	MRK029ARH	1			
LH	MRK029ALH	1			
Fibreglass sports type	BD17011/12C	pair			
31. Inner rear wheel arch assembly					
RH	8113	1			
LH	8114	1			
32. Full front wing					
RH	11141	1			
LH	11142	1			
33. Front wing nose section					
RH	MRK032RH	1			
LH	MRK032LH	1			
34. Rear wing lower repair section					
RH	MRK033RH	1			
LH	MRK033LH	1			
35. Front wing indicator repair section					
RH	MRK034RH	1			
LH	MRK034LH	1			
36. Front wing seam capping	6665	2			
37. Boot lock panel	6038	1			
38. Boot reinforcement panel	4127	1			
39. Spare wheel well	4104	1			
40. Boot lid lower repair section	5112RP	1			
41. Rear seat panel repair					
RH	MRK046RH	1			
LH	MRK046LH	1			
42. Spare wheel well rear panel	MRK047	1			
43. Front chassis longitudinal repair section					
RH	7079R	1			
LH	5102RP	1			
44. Coombs style louvred bonnet	5100C	1			

S-TYPE BODY PANELS



Underbody Panels



Outer Body Panels

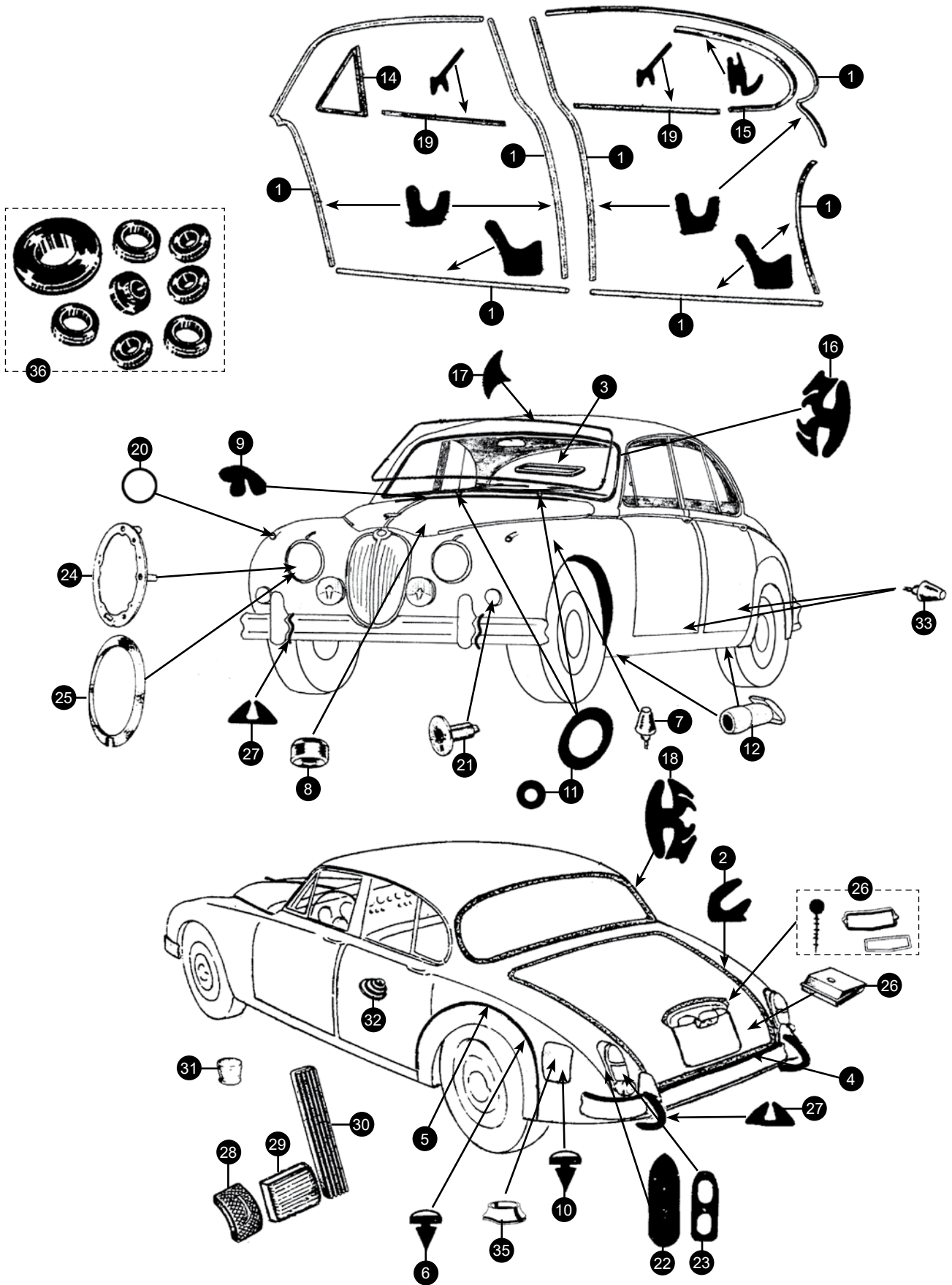
S-TYPE BODY PANELS

1. Front crossmember	5137	1
2. Front crossmember closing panel	4130	1
3. Front crossmember brace		
RH	4128	1
LH	4129	1
4. Front crossmember valance	BD25969	1
5. Front wing stay bracket		
RH	6602	1
LH	6603	1
6. Gusset reinforcing stay bracket		
RH	6604	1
LH	6605	1
7. Saddle panel under grille	6627	1
8. Radiator mounting bracket		
RH	6584	1
LH	6585	1
9. Radiator access panel	6721	1
10. Radiator cowl		
RH	7219	1
LH	7220	1
11. Baffle splash panel behind front wheel		
RH	10529	1
LH	10530	1
12. Front wheelarch repair section		
RH	MRK012RH	1
LH	MRK012LH	1
13. Lower front skirt repair section		
RH	MRK014RH	1
LH	MRK014LH	1
14. Rear half of front wing repair section		
RH	MRK015RH	1
LH	MRK015LH	1
15. Door skin 3/4 repair section		
RHF	8154	1
LHF	8155	1
RHR	8159	1
LHR	8160	1
16. Door frame lower repair panel		
RHF	MRK016DBRHF	1
LHF	MRK016DBLHF	1
RHR	MRK016DBRHR	1
LHR	MRK016DBLHR	1
17. Front floor panel repair section above jacking point		
RH	MRK017RH	1
LH	MRK017LH	1
18. Jacking point and outrigger assembly		
RHF	6738	1
LHF	6739	1
RHR	10312	1
LHR	10313	1

19. Full sill with step		
RH	4109	1
LH	4110	1
20. Sill repair section without step		
RH	MRK020ARH	1
LH	MRK020ALH	1
21. Inner sill		
RH	7003	1
LH	7032	1
Middle inner sill (not illustrated)		
RH	10157	1
LH	10158	1
22. Front wing seam capping	6665	2
23. Rear seat panel repair		
RH	MRK046RH	1
LH	MRK046LH	1
24. Front chassis longitudinal repair section		
RH	5101RP	1
LH	5102RP	1
25. Rear lower valance	BD25977	1
26. Full front wings		
RH	11144	1
LH	11145	1
27. Front wing nose section		
RH	MRK032AARH	1
LH	MRK032AALH	1
28. Front wing side lamp & indicator repair section		
RH	MRK034ARH	1
LH	MRK034ALH	1
29. Rear wing lower half repair section		
RH	MRK035RH	1
LH	MRK035LH	1



MK2/V8 BODY RUBBERS



PARTS & ACCESSORIES
FOR
CLASSIC & MODERN JAGUARS

S-N-G
BARRATT
GROUP

MK2/V8 BODY RUBBERS



1. Door rubber set		DSK0100	1
2. Boot lid seal		BD14100/1	2
3. Scuttle vent seal		BD9876	1
4. Rear bumper seal		BD9949/1	1
5. Rear spat seal		BD17847/1	1
6. Rear spat buffer		BD4321	6
7. Bonnet front buffer		BD4951	2
8. Bonnet rear buffer		BD10224	2
9. Bonnet rear seal		BD4920/3	1
10. Petrol flap buffer		BD4321	2
11. Wiper bezel gasket		7769	2
Washer jet gasket		MP1002	pair
12. Jacking point bung		C4928	4
13. Front quarter light seal	RH	BD17049	1
	LH	BD17048	1
15. Rear quarter light seal	RH/LH	BD17072	2
16. Windscreen seal		BD26888	1
17. Windscreen insert strip		BD48847	1
18. Rear screen seal		BD16992	1



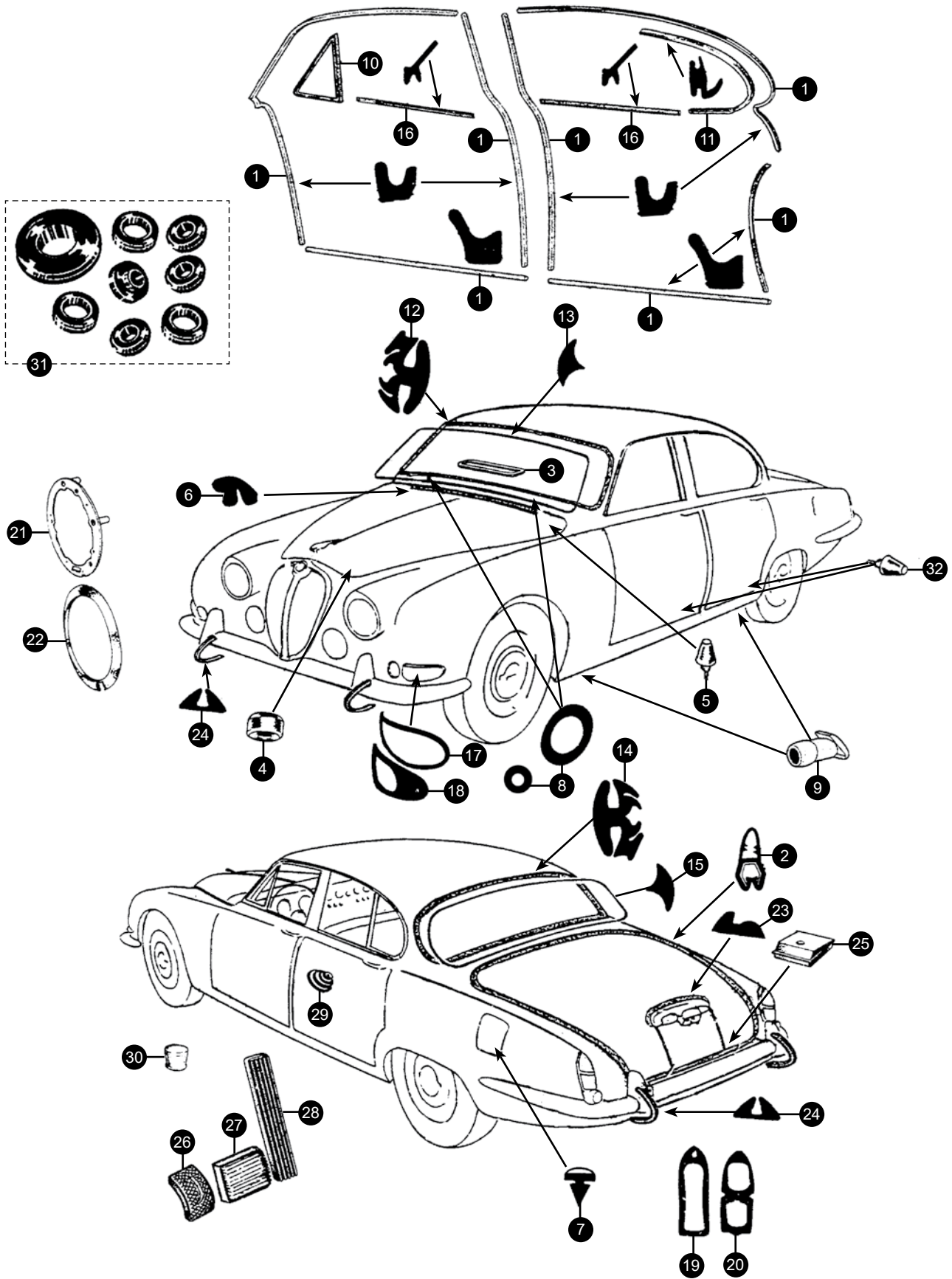
THE 1965 JAGUARS:

If you're going abroad, money-saving overseas delivery can be arranged. You can save money by ordering your Jaguar here for delivery overseas, fully insured and ready to go. Delivery arranged in any principal European city, no British purchase taxes to pay, lower, your new car is shipped home for many years of enjoyable use at very low cost. And the money you save will pay for much of your trip!

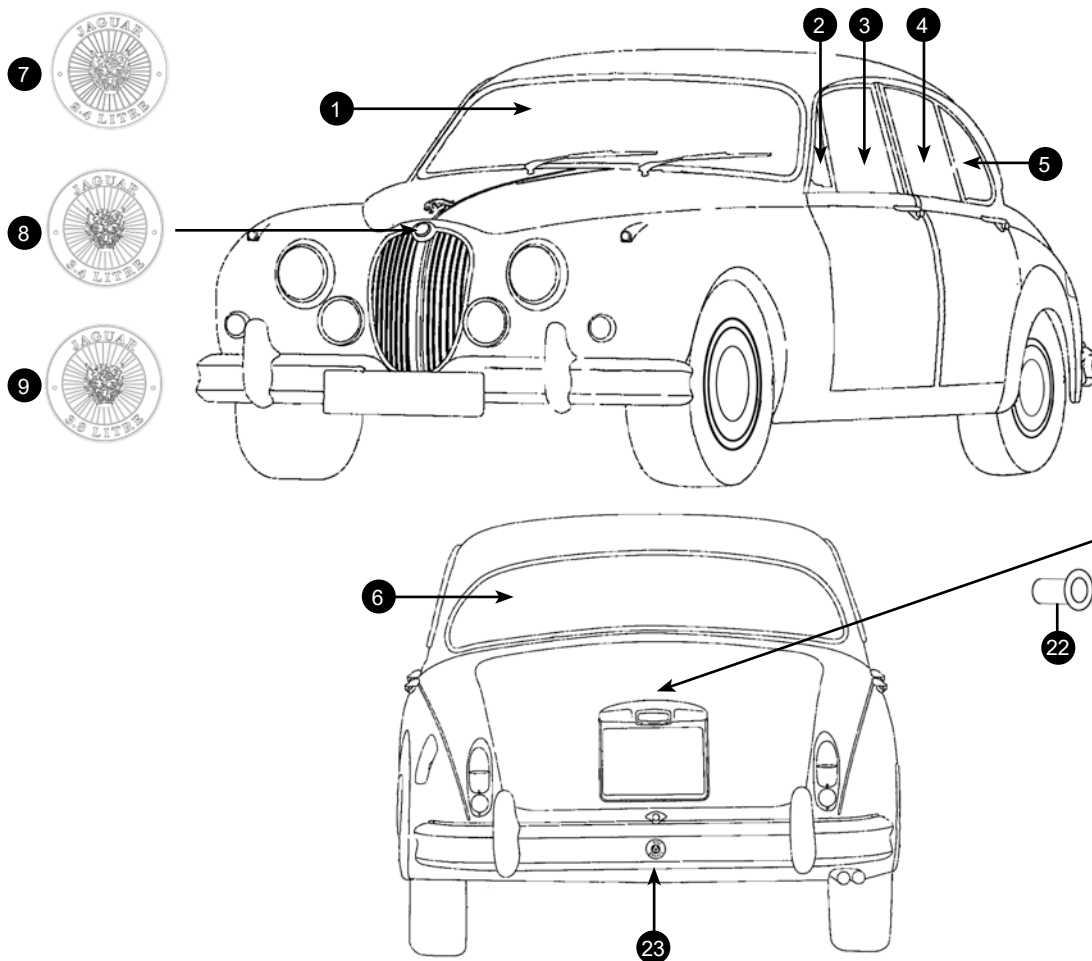
19. Door glass outer waist seal			
Early models	felt	BD20010/1	4
Late models	rubber (as image)	BD46440/3	4
Clip for	BD20010/1 on outer	BD22312	24
Door glass inner waist seal		BD20010/1	4
20. Side lamp seal		8669	2
21. Front indicator gasket		8059	2
22. Tail lamp mtg gasket		9721	2
23. Tail lamp lens gasket		8083	2
24. Headlamp mounting gasket		9403	2
25. Headlamp dust excluder		3446	2
26. Reverse lamp housing seal		BD429092	1
Rev lamp lens gasket		3488	1
Rev lamp gasket		3489	1
27. Overider rubber set		209K	2
28. Brake/clutch pedal rubber			
	Jaguar	C8969	2
	Daimler	C27521	2
29. Brake pedal rubber	Automatic	C6876	1
30. Accelerator pedal rubber		C11671	1
31. Dipswitch boot		C22276	1
32. Gearlever gaiter		BD14134	1
33. Door bottom buffers		BD4951	4
34. Boot lid buffer		BEC14310	2
35. Petrol tank neck seal		BD9898	1
36. Grommet set		SBS1013	1



S-TYPE BODY RUBBERS



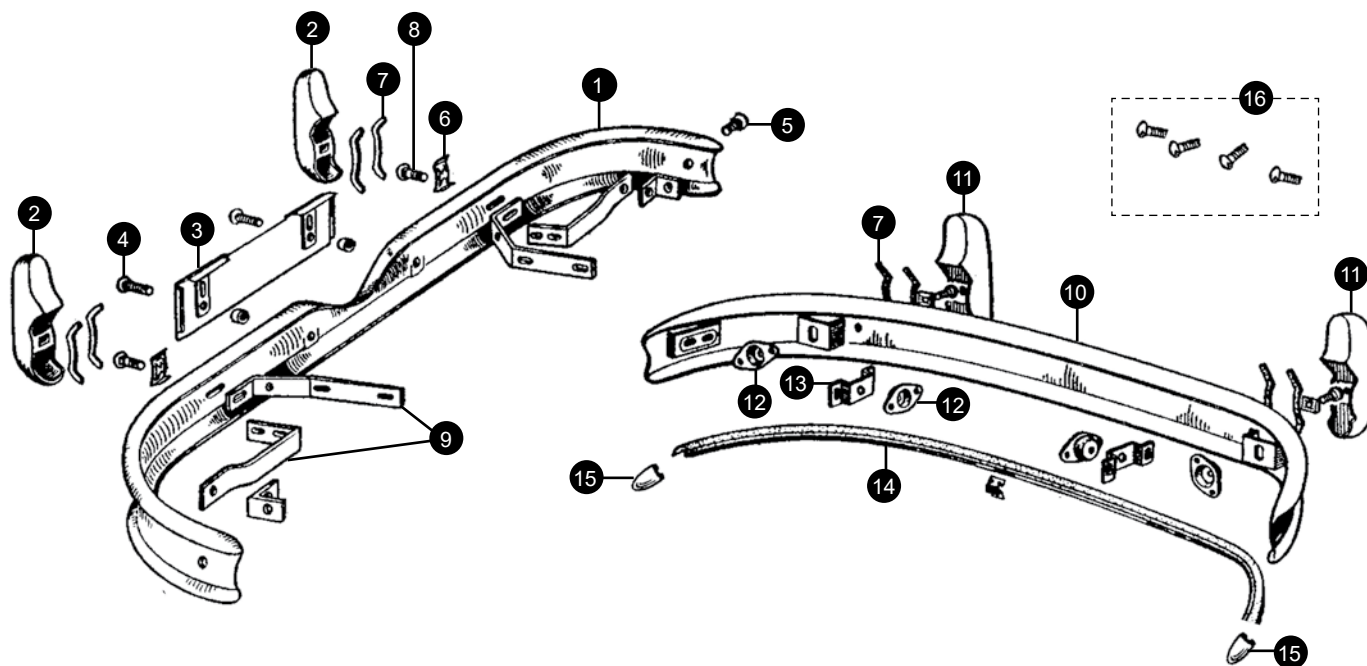
BODY GLASS & BADGES



- 10 JAGUAR
- 11 AUTOMATIC
- 12 MK2
- 13 3.4
- 14 3.8
- 15 240
- 16 340
- 17 3.4 S
- 18 3.8 S
- 19 Daimler
- 20 V8
- 21 250

1. Windscreen	clear	BD29575	1	7. '2.4' grille badge 8. '3.4' grille badge 9. '3.8' grille badge 10. 'Jaguar' emblem 11. 'Automatic' emblem 12. 'MK2' emblem 13. '3.4' emblem 14. '3.8' emblem 15. '240' emblem 16. '340' emblem 17. '3.4S' emblem 18. '3.8S' emblem 19. 'Daimler' emblem 20. 'V8' emblem 21. '250' emblem 22. Badge fixing 23. 'Disc Brakes' bumper badge	BD11497	1	
	tinted	BD29575T	1		BD12448	1	
2. Front quarter light	clear	BD17068	2		BD17736	1	
	tinted	BD17068T	2		BD26762	1	
3. Front door glass	clear	early	BD17055		2	BD26763	1
		late	BD22580		2	BD27194	1
	tinted	early	BD17055/1		2	BD27196	1
		late	BD22580/1		2	BD27195	1
4. Rear door glass	clear	early	BD17052		2	BD32703	1
		late	BD22581		2	BD31034	1
	tinted	early	BD17052/1		2	BD26764	1
		late	BD22581/1		2	BD26765	1
5. Rear quarter light glass	clear	BD17089	2		BD24520	1	
	tinted	BD17089T	2		BD24521	1	
6. Rear heated screen (MK2/V8 only)	clear	BD21942	1		BD32126	1	
	tinted	BD22742	1		BD25659	A/R	
					BD17737	1	

BUMPERS



1. Front bumper bar

MK2/V8 2.5		BD17172	1
240/340/V8 250/S-Type		BD23851	1

2. Front overrider

MK2/V8 2.5	RH & LH	BD10985	2
240/340/V8 250/S-Type			
	RH	BD26636	1
	LH	BD26635	1

3. Front number plate panel

MK2/V8 2.5		BD10982	1
240/340/V8 250/S-Type		BD30654	1

4. Bolt

BD9869 2

5. Chrome bumper bolt

BD9870 2

6. Captive nut

BD11006 4

7. Overrider bead set

209K 2

8. Overrider nut, bolt & washer

BD10990 4

9. Front bumper brackets

MK2/V8 2.5 complete set SBS9042 1

240/340/V8 250/S-Type

Inner	RH	BD23961	1
	LH	BD23960	1

Outer	RH	BD23963	1
-------	----	---------	---

10. Rear bumper bar

MK2/V8 2.5	LH	BD23962	1
240/340/V8 250		BD17180	1
		BD30144	1

S-Type

BD25215 1

11. Rear overrider

MK2/V8 2.5	RH	BD17186	1
	LH	BD17185	1

240/340/V8 250

RH BD30145 1

LH BD30146 1

S-Type

RH BD25274 1

LH BD25275 1

12. Rear bumper rubber mounting

BD9927 4

13. Rear bumper mounting bracket

BD9925 2

14. Rear bumper rubber (MK2/V8 only)

BD9949/1 1

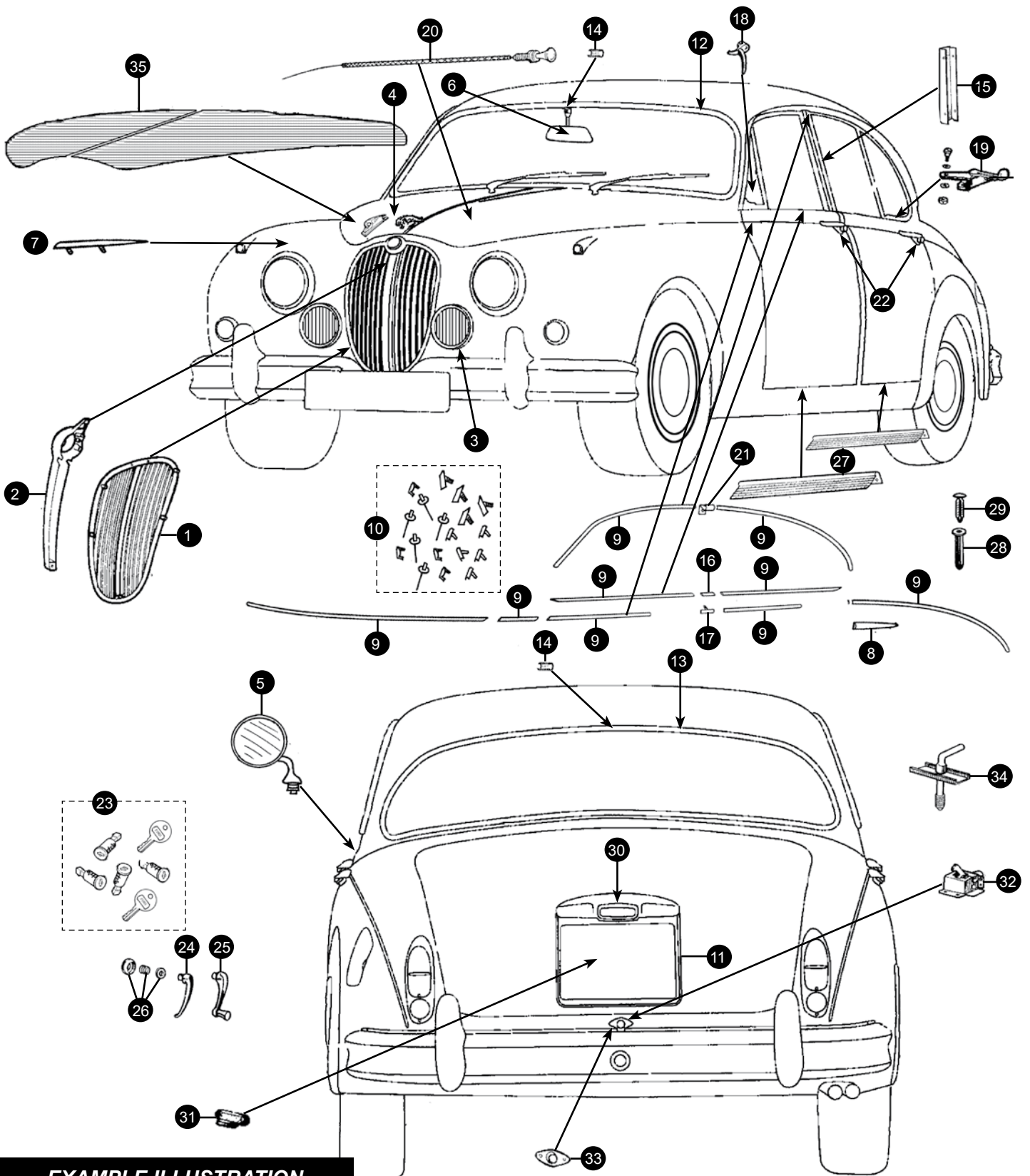
15. Rear bumper rubber chrome finisher (MK2/V8 only)

RH BD18081 1

LH BD18080 1

16. Bumper bolt kits

Front	BBK11	Rear	SBS9031	1
-------	-------	------	---------	---



BODY FITTINGS

1. Radiator grille

MK2		BD17149	1
Daimler V8		BD24188	1
S-Type	Surround	BD27440	1
	Vanes	BD25552	1

2. Radiator grille centre vane/badge boss

MK2		BD17145	1
S-Type		BD27436	1

3. Horn grille

MK2/V8		BD17339	2
S-Type		BD26050	2

4. Bonnet mascot

MK2		BD10954	1
Daimler V8		BD23927	1
S-Type		BD10954	1

5. Wing mirror	round	C16114	2
-----------------------	-------	--------	---

6. Interior rear view mirror

MK2		C20697	1
Daimler V8		C20697	1
S-Type		C20697	1

7. Headlamp teardrop moulding

MK2/Daimler V8		BD9875	2
----------------	--	--------	---

8. Rear chrome spear

S-Type	RH	BD25577	1
	LH	BD25578	1

9. Chrome moulding set

MK2	Standard	SBS1282	1
	Show quality	SBS1271	1

Will require BD25577/25578 to complete for S-Type. A full contents list of the above chrome moulding set is available separately upon request.

10. Chrome moulding clip set

The original clips are no longer available so we use a circular headed pop rivet as an alternative. This is suitable for most cars from the 1960's with thin chrome body mouldings and can be ordered as required. SBS1271FK contains the following items which can be ordered separately if required:

Body moulding pop rivet		BD26706/1	60
Bonnet side chrome staple clip		BAC5298	24
Bonnet centre chrome retaining plate		BD9848	10
Number plate chrome staple clip		BD10809	6
Number plate chrome plastic T clip		BD20887	6
Number plate moulding T clip nut		BD21040	6

11. Rear number plate/boot moulding

MK2/Daimler V8		BD10764	1
S-Type		BD20886	2

12. Front screen mouldings

	RH	BD16910	1
	LH	BD16909	1

13. Rear screen mouldings

MK2/V8	RH	BD16994	1
	LH	BD16993	1
S-Type	RH	BD25304	1
	LH	BD25303	1

14. Screen moulding joining clip

Front		BD5366/1	2
-------	--	----------	---

Rear	MK2/V8	BD5366/1	2
	S-Type	BD19837	2

15. Chrome B post cover

MK2/Daimler V8		BD16752	2
S-Type		BD25533	2

16. Upper B post moulding

MK2/Daimler V8		BD17090	2
----------------	--	---------	---

17. Lower B post moulding

		BD31273	2
--	--	---------	---

18. Front quarter light catch

MK2	RH	BD17112	LH	BD17111	1
Daimler V8	RH	BD17112	LH	BD17111	1
S-Type	RH	BD24957	LH	BD24958	1

19. Rear quarter light catch

All models	RH	BD20087	LH	BD20086	1
Cover for rear quarter light catch		BD5434			2
Shouldered bolt and nut		841			2
Setscrew securing base to bracket		BD5454/3			2

20. Bonnet release cable

		BD10221			1
--	--	---------	--	--	---

21. Gutter moulding joining clip

		BD17139			2
--	--	---------	--	--	---

22. Door handles

	LHF	BD16720			1
	RHF	BD16721			1
	LHR	BD16722			1
	RHR	BD16723			1

23. Lock barrel set with matched keys

Doors only		BF1070			1
Doors, boot, ignition and glovebox		SBS1289			1

Lock barrel retaining circlip

		8192			2
--	--	------	--	--	---

24. Interior door handle

		BD10728			4
--	--	---------	--	--	---

25. Window winder handle

		BD10729			4
--	--	---------	--	--	---

26. Handle escutcheon

		BD10730/1/2			4
--	--	-------------	--	--	---

27. Door tread plates

Original lattice aluminium	Front	BD14986			2
	Rear	BD14988			2

Show quality polished alloy

		SBS1033			set
--	--	---------	--	--	-----

28. Carpet stud retaining socket

		SBS1039			A/R
--	--	---------	--	--	-----

29. Carpet stud

		BD40871			A/R
--	--	---------	--	--	-----

30. Rear number plate/reverse lamp housing

MK2		6711			1
Daimler V8		10008			1
S-Type		9272			1

31. Rear number plate buffer

		BD4951			4
--	--	--------	--	--	---

32. Boot lock mechanism

MK2/Daimler V8		BD9888			1
----------------	--	--------	--	--	---

33. Boot lock escutcheon

MK2/Daimler V8		BD11472			1
----------------	--	---------	--	--	---

34. Spare wheel clamp

		BD11007			1
--	--	---------	--	--	---

35. Door capping chrome screw & cup washer set

		SBS9030			1
--	--	---------	--	--	---

36. Bonnet Insulation kits

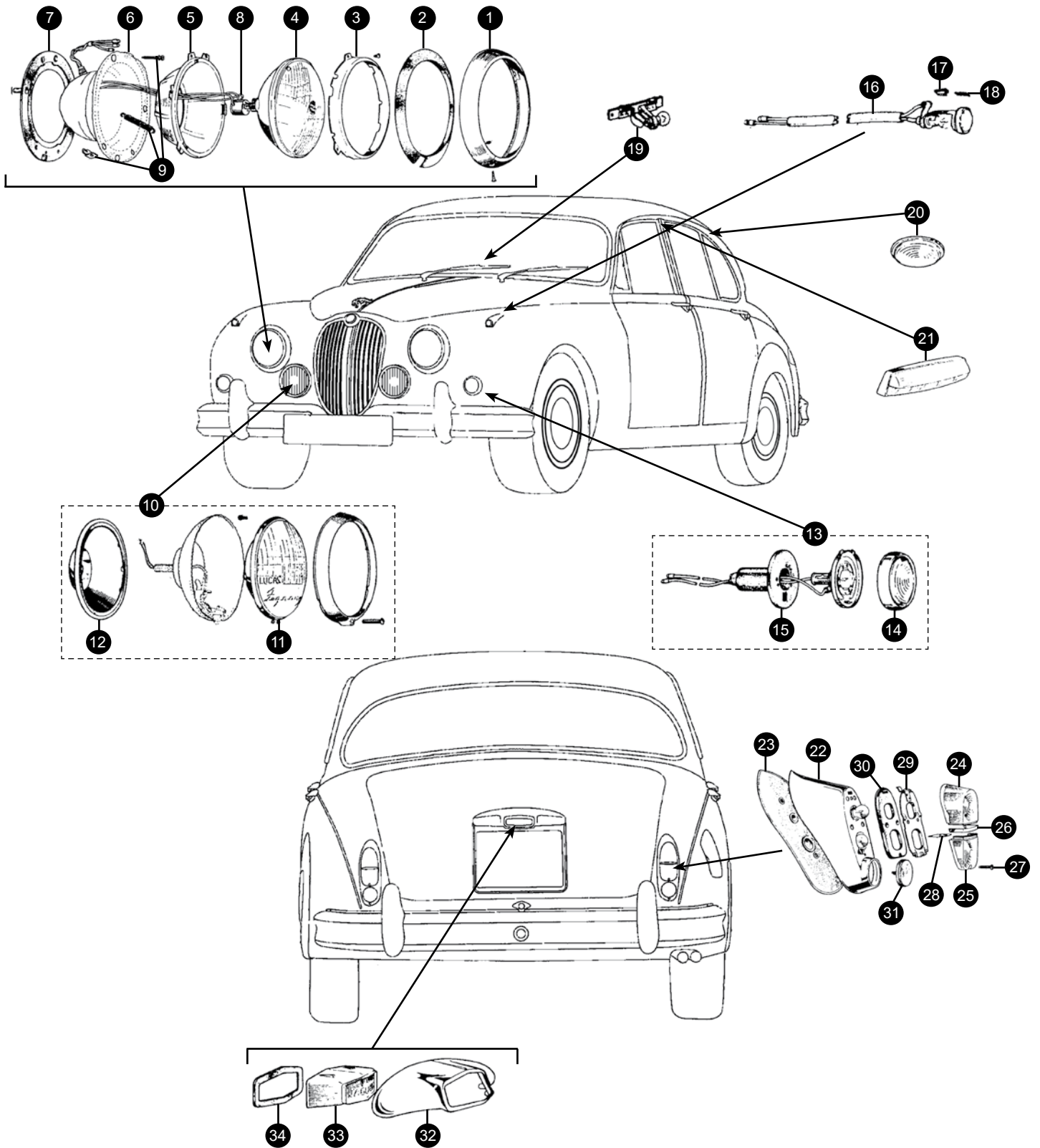
MK2/V8 with bulkhead/heater insulation in black vinyl covered fire retardant foam which requires special spray adhesive

SBS1450AA to fit correctly		SBS1450			1
----------------------------	--	---------	--	--	---

Aluminium reflective type (bonnet only)

MK2/V8/S-Type		U2121			1
---------------	--	-------	--	--	---

MK2 & V8 LAMPS & LIGHTING



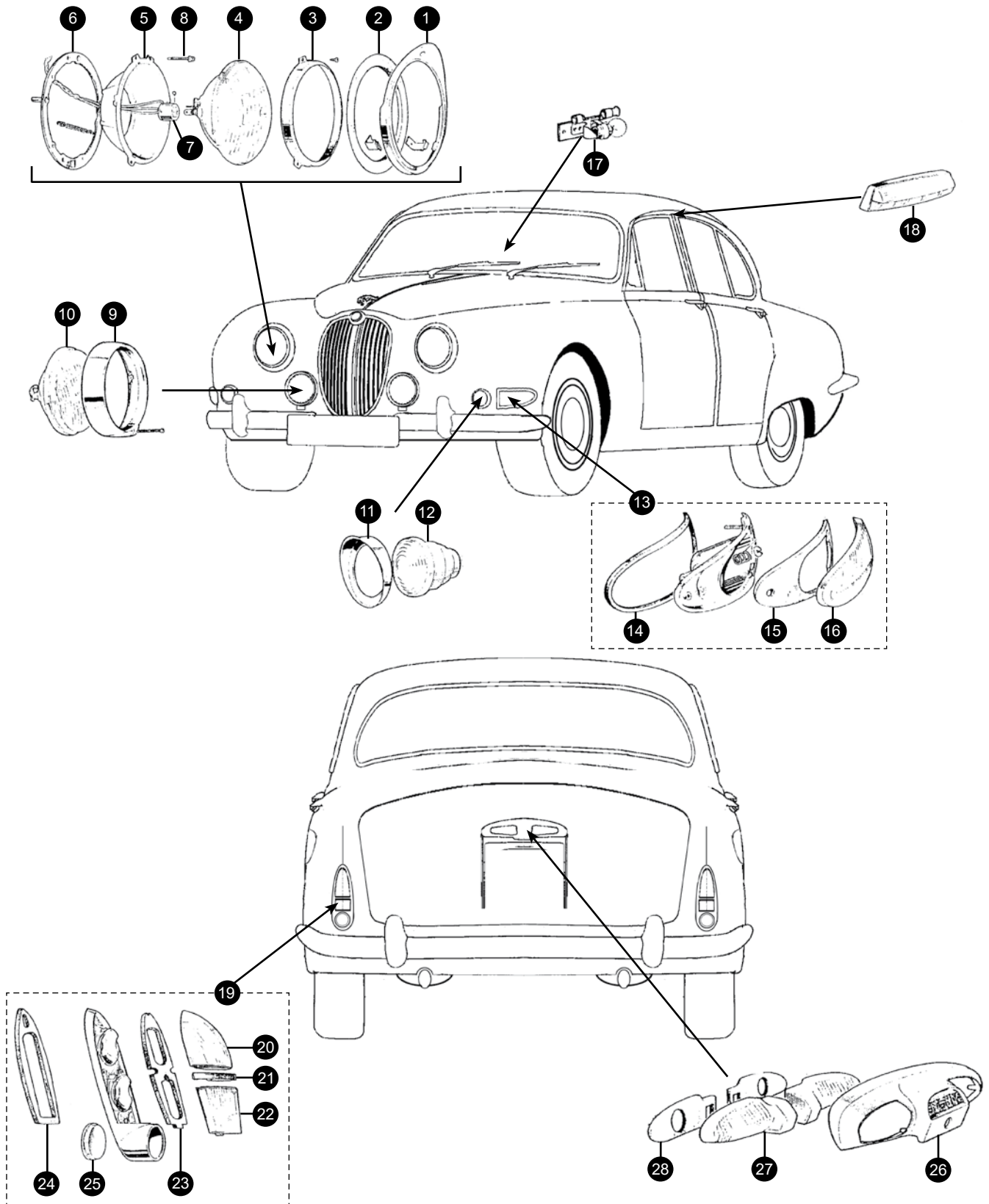
MK2/V8 LAMPS & LIGHTING

1. Headlamp rim	6512	2
2. Dust seal	3446	2
3. Retaining rim	515218J	2
4. Headlamp unit		
<u>Standard sealed beam</u>		
RHD	JLM9602	2
LHD	JLM9604	2
<u>H4 halogen conversion kits - all you need to convert to H4</u>		
RHD	SBS9150	1
LHD	SBS9151	1
5. Shroud	27H6481	2
6. Headlamp bowl	54522342	2
7. Headlamp gasket	9303	2
8. Wiring adaptor		
Original round type	7764	2
Plastic type with pilot bulb holder	12980	2
9. Headlamp adjuster kit	BHM7058J	2
10. Foglamp assembly		
With clear bulb	C20735	2
With yellow bulb	C20735/4	2
11. Foglamp unit	57H5384	2
12. Embellisher	C15892	2
Foglamp bulb		
Clear	JLM260	2
Foglamp wiring	C20735/3	2
13. Indicator lamp assembly		
Amber	C15430	2
Clear	C15431	2
14. Lens & rim		
Amber	5322	2
Clear	7667	2
15. Rubber boot	8059	2
Indicator bulb	DBC11382	2
16. Sidelamp	C14929	2
17. Sidelamp red prism	C4691	2
18. Retaining clip	C4098/2	2
Sidelamp bulb	JLM9587	2
Sidelamp retaining screw	C4549/3	2
19. Map light	C15486	1
Bulb	JLM9601	1
20. Rear courtesy lamp	C44322	2
Rear courtesy lamp bulb	GLB256	2
21. Front courtesy lamp lens & cover	10184	2
Bulb	LNA5180AA	2
22. Rear lamp chrome housing		
RH	8087	1
LH	8085	1



23. Housing to wing gasket	9721	2
24. Indicator lens		
Amber	8080	2
Red	8089	2
Indicator bulb	DBC11382	2
25. Stop and tail lens	8081	2
Stop and tail bulb	DBC11383	2
26. Chrome clip	8174	2
27. Chrome screw	8082	2
28. Lens divider plate	8174	2
29. Lens retaining plate	8287	2
30. Lens to lamp gasket	8083	2
31. Rear reflector	9291	2
32. Number plate and reverse lamp chrome housing		
Jaguar	6711	1
Daimler	10008	1
33. Lens		
Jaguar	3487	1
Daimler	9719	1
34. Lens seating gasket	3488	1
Number plate bulb	JLM9601	2
Reverse lamp bulb	DBC11382	1

S-TYPE LAMPS & LIGHTING



S-TYPE LAMPS & LIGHTING

1. Headlamp rim	BD25713	2
2. Dust seal	3446	2
3. Retaining rim	515218J	2
4. Headlamp unit		

Standard sealed beam

RHD	JLM9602	2
LHD	JLM9604	2

H4 halogen conversion kits - all you need to convert to H4

RHD	SBS9150	1
LHD	SBS9151	1

5. Shroud	27H6481	2
6. Headlamp gasket	9303	2
7. Wiring adaptor		
Original round type	7764	2
Plastic type with pilot bulb holder	12980	2

8. Headlamp adjuster kit	BHM7058J	2
--------------------------	----------	---

9. Foglamp rim	10211	2
10. Foglamp assembly	C21731	2
Foglamp bulb	JLM260	2

11. Sidelamp	C21538	2
12. Sidelamp rim	C18194	2
Sidelamp bulb	JLM9601	2

13. Indicator lamp			
Amber	RH	C33942	1
	LH	C33943	1

Clear	RH	C21536	1
	LH	C21537	1

14. Indicator lamp gasket	MP1004	pair
---------------------------	--------	------

15. Indicator lens gasket			
	RH	9257	1
	LH	11619	1

16. Indicator lens			
Amber	RH	9255	1
	LH	9260	1

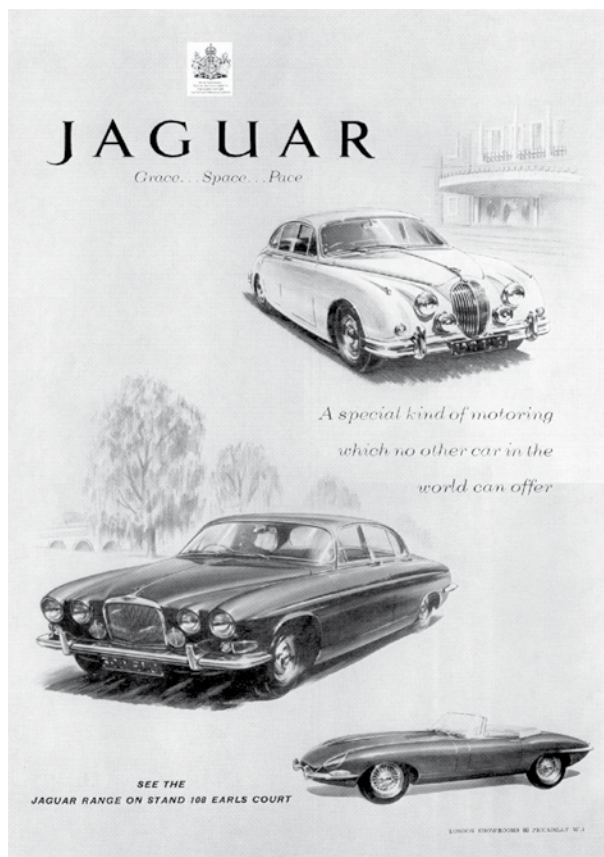
Clear	RH	9262	1
	LH	9263	1

Indicator lamp bulb	DBC11382	2
---------------------	----------	---

17. Map light	C15486	1
Bulb	JLM9601	1

18. Courtesy lamp lens & cover	10184	3
Bulb	LNA5180AA	3

19. Rear lamp			
Red/amber	RH	C33930	1
	LH	C33931	1



Red/red	RH	C17186	1
	LH	C17187	1

20. Indicator lens			
Amber		12784	2
Red		9293	2
Indicator lamp bulb		DBC11382	2

21. Dividing shield		9284	2
22. Stop and tail lens		12785	2
Stop and tail bulb		DBC11383	2

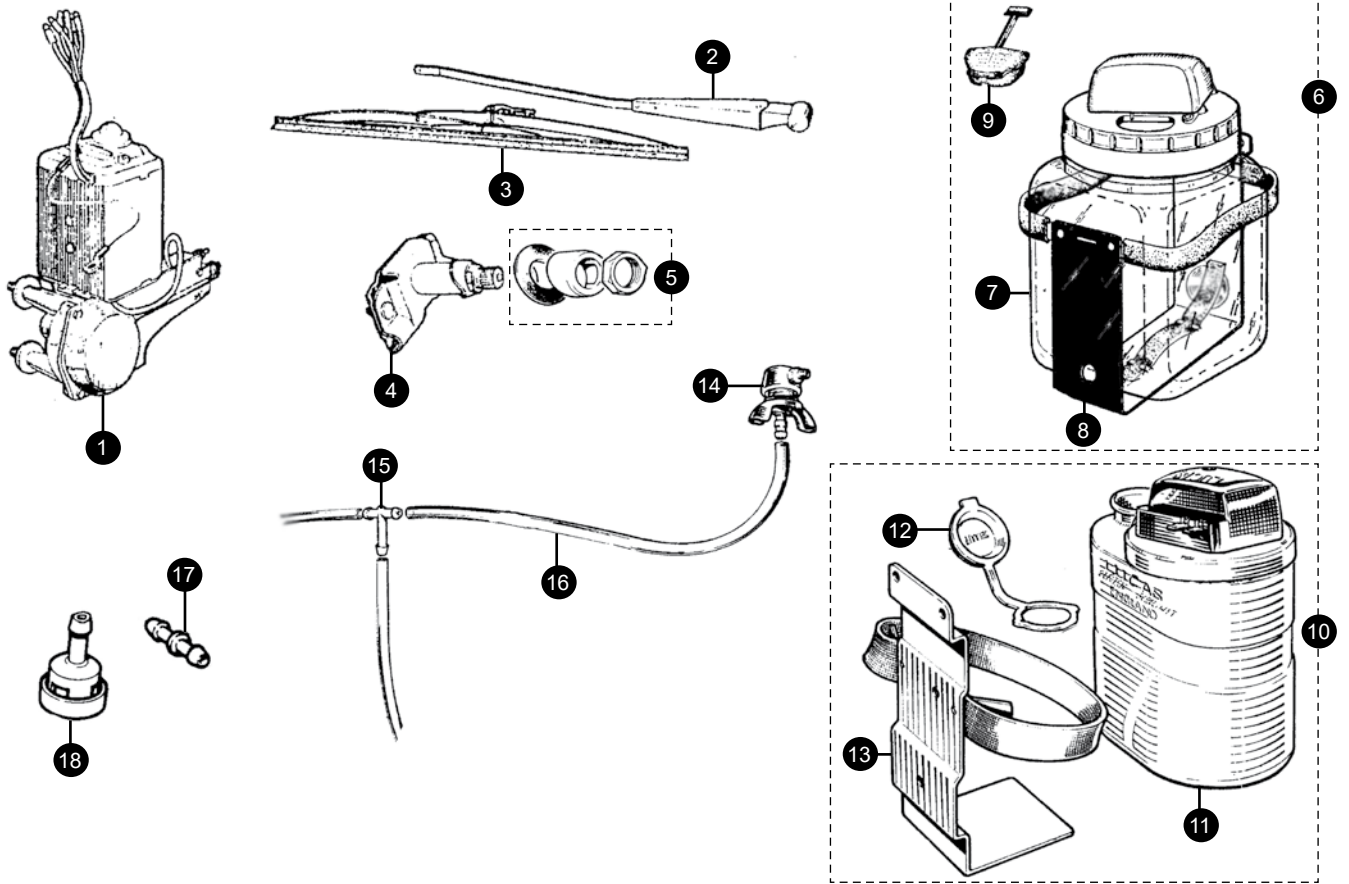
23. Lens to lamp gasket		9288	2
24. Lamp to wing gasket		9292	2
25. Rear reflector		9291	2

26. Number plate and reverse lamp chrome housing		9272	1
--	--	------	---

27. Reverse lamp lens			
	RH	9273	1
	LH	9274	1

28. Reverse lamp lens gasket		9275	2
Reverse lamp bulb		DBC11382	2
Number plate lamp bulb		JLM9601	1

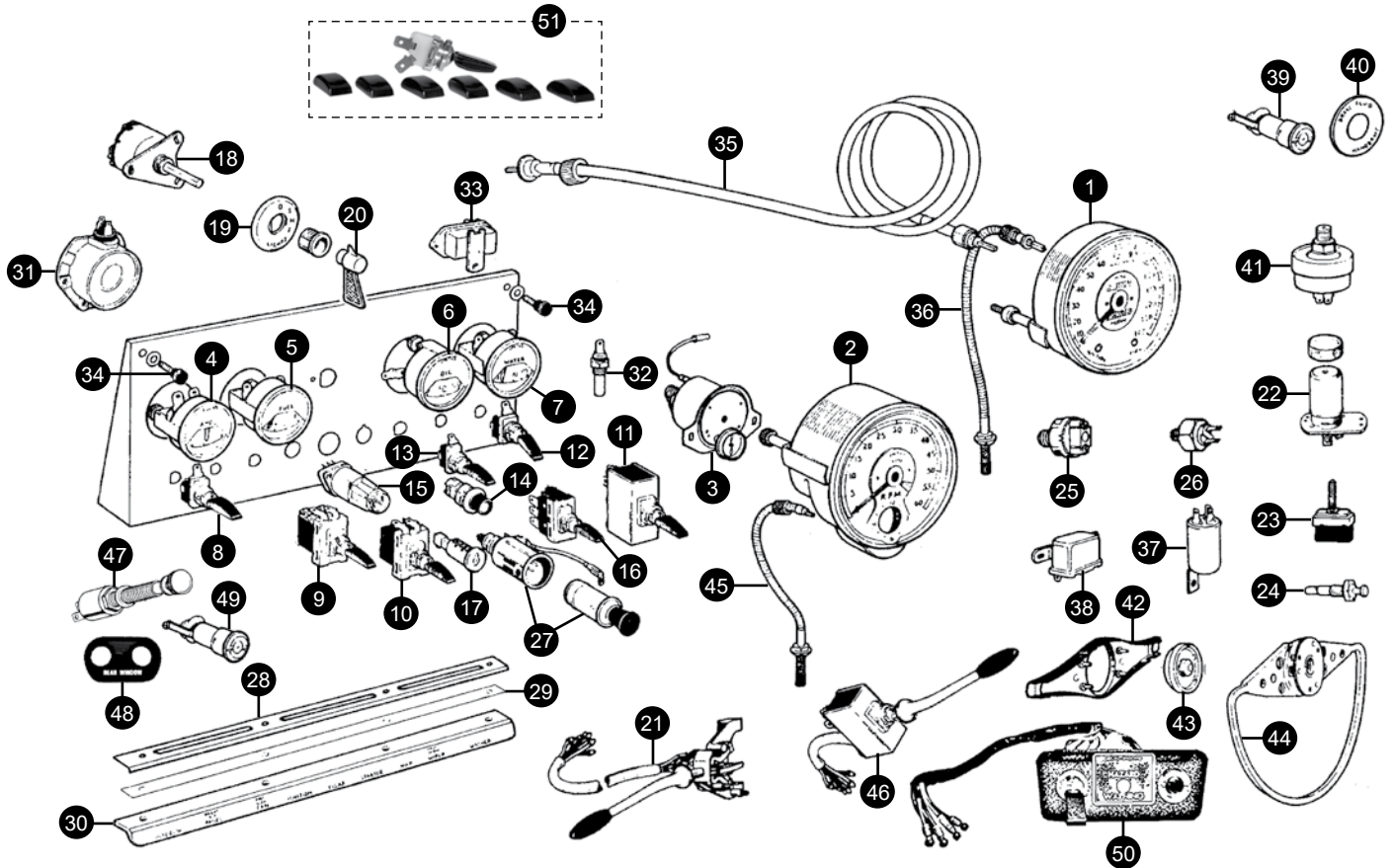
WASH WIPE COMPONENTS



1. Wiper Motor	RHD	C13503	1
	LHD	C13504	1
2. Wiper arm			
RHD		10079	2
LHD		10080	2
3. Wiper blade		8183	2
4. Wiper wheel box			
All models		C40090	2
5. Wiper wheel box bezel kit			
Includes bezel, gasket and nut		7767K	2
6. Washer bottle assembly			
Earlier glass type		C17004	1
Lid & motor only		C17004LID/MO	1
7. Glass washer bottle		8040	1
8. Washer bottle bracket		8041	1
9. Rubber filler cap		8038	1

10. Washer bottle assembly			
Later plastic type		C25438	1
11. Plastic washer bottle		JLM9643	1
12. Washer filler cap		11085	1
13. Washer bottle bracket		514223A	1
14. Washer jet		C15645	2
15. Three way joiner 'T' piece		C15644	1
16. Washer tubing (sold by the metre)			
Clear		SBS9900	A/R
Green		SBS9901	A/R
17. Washer tube connector		C33835	A/R
18. Washer tube foot valve		GWW506	1

DASHBOARD, SWITCHES & GAUGES



1. Speedometer* RB1001 1

2. Tachometer* RB1002 1

*Reconditioning service only. Simply tag your speedometer, tachometer or gauge before you send it to us. This will ensure that you receive your own unit in return and that it cannot be mislaid. Use a tie on label and include the following details.

Your name - Your customer number (if you have one!) - Your telephone number - The exact model of your car - Any special instructions i.e. retain indicated mileage, etc.

3. Time clock
Suitable for positive and negative earth 10488R 1

4. Ammeter
Daimler V8 2.5 C40 dynamo C25678 1
Daimler V8 250 11AC alternator C27309 1
MK2/S-Type C45/C42 dynamo C20803 1
MK2/S-Type C48 dynamo C18190 1

5. Fuel gauge
MK2/V8 C15475 1
S-Type C21972 1

6. Oil pressure gauge
All models C18641 1

7. Water temperature gauge
MK2/S-Type C18640 1
340 late/V8 250 late C29876 1

8. Interior light switch
MK2/V8 C15760 1
S-Type C15589 1

9. Panel light switch C15455 1

10. Heater fan switch C15589 1

11. Windscreen wiper switch C15456 1

12. Windscreen washer switch C15759 1

13. Map light switch C15760 1

14. Starter button C15453 1

15. Ignition switch
MK2/V8 2.5/S-Type with dynamo C15454 1
V8 250 with alternator C22258 1

16. Fuel tank changeover switch
S-Type C17191 1

17. Ignition switch barrel BD10610 1

18. Lighting switch
With foglamps C20246 1
Without foglamps C18188 1

19. Lighting switch escutcheon
With foglamps C15447 1
Without foglamps C15449 1

20. Lighting switch lever C27065 1

DASHBOARD, SWITCHES & GAUGES

21. Early indicator switch C25255 1
 MK2 2.4 to chassis no. 118537 & 127710
 MK2 3.4 to chassis no. 170118 & 180309
 MK2 3.8 to chassis no. 234714 & 224274
 S-Type 3.4 to chassis no. 1B6091 & 1B25787
 S-Type 3.8 to chassis no. 1B56871 & 1B78908

Late indicator switch C25555 1
 MK2 2.4 from chassis no. 118538 & 127711
 MK2 3.4 from chassis no. 170119 & 180310
 MK2 3.8 from chassis no. 234715 & 224275
 S-Type 3.4 from chassis no. 1B6092 & 1B25788
 S-Type 3.8 from chassis no. 1B56872 & 1B78909

Chrome lever & knob only C25555K 1

22. Headlamp dipswitch
 MK2/V8 2.5 C2639 1
 240/340/V8 250/S-Type RTC432J 1
Rubber cap (for C2639 only) C22276 1

23. Handbrake/choke warning light switch
 All models C16660 1

24. Courtesy light switch
 Front and rear C9653 4

25. Reverse light switch DAC3844 1
26. Brake warning light switch C16062 1
27. Cigar lighter C18638 1
28. Indicator strip finisher C15916 1
29. Indicator strip green light filter C25937 1

30. Indicator strip
 MK2/V8 RHD C15609 1
 LHD C15610 1
 S-Type RHD C22038 1
 LHD C22039 1

31. Rev counter generator C14996 1
Rev counter generator O'ring C14990 1

32. Water temperature sender C15472 1
33. Voltage stabiliser 148876J 1

34. Thumbscrew
 MK2/V8 C15785 2
 S-Type C19469 2

35. Speedometer cable

MK2 manual O/D
 RHD early 78" C16332 1
 late 68" C25403 1
 LHD early 96" C15932 1
 late 106" C26432 1

MK2 automatic
 RHD
 early DG gearbox 78" metal cone end C15933 1
 later BW35 gearbox 66" plain screw end C15929 1

35. Speedometer cable (continued)

LHD
 early DG gearbox 60" metal cone end C15934 1
 later BW35 gearbox 84" plain screw end C15930 1
Daimler V8 manual O/D
 RHD 78" C16332 1
 LHD 106" C26432 1

Daimler V8 automatic
 RHD 66" C15929 1
 LHD 84" C15930 1

S-Type manual O/D
 RHD early 78" C16332 1
 late 68" C25403 1

LHD early 96" C15932 1
 late 76" C25696 1

S-Type automatic
 RHD
 Early DG gearbox 78" metal cone end C15933 1
 Later BW35 gearbox 66" plain screw end C15929 1

LHD
 Early DG gearbox 60" metal cone end C15934 1
 Later 78" plain screw end C15933 1

36. Speedometer trip cable C26162 1

37. Indicator flasher unit
 Screw terminals C5230 1
 Spade terminals C16063 1

38. Horn relay C17338 1

39. Brake fluid/handbrake warning light
 38726 1

40. Brake fluid warning light escutcheon
 C19637 1

41. Oil pressure sender unit C15474 1

42. Horn push cover* C22271 1

43. Horn push badge* C22272 1

(*Only later type is available but can be used to replace early type if both cover and badge are fitted.)

44. Horn ring C18979 1

45. Time clock reset cable C15287 1

46. Overdrive switch C23391 1

47. Heated rear window switch C2744 1

48. Heated rear window switch bezel C25883 1

49. Heated rear window warning light C26467 1

50. Hazard warning light switch panel C26344 1

51. Toggle switch knob set TSK1 1

WIRING LOOMS

MK2 3.4/3.8

Main harness

RHD/LHD manual with O/D cotton	C15459	1
RHD/LHD manual with O/D PVC	JL163	1
RHD/LHD automatic cotton	JL172	1
RHD/LHD automatic PVC	JL173	1
Boot lid	C15668	1
Body RH	C15460	1
Body LH	C15461	1
Centre console with warning lights & glovebox	C15790	1
Overdrive	JL174	1
Interior lights	JL216	1
Foglamp, sidelamp & indicators	JL217	1
Alternator harness (where fitted)	JL175	1

240/340

Main harness

RHD/LHD manual with O/D cotton	JL164	1
RHD/LHD manual with O/D PVC	JL165	1
RHD/LHD automatic cotton	JL176	1
RHD/LHD automatic PVC	JL177	1

All other looms as per MK2

Daimler V8

Main harness

RHD/LHD manual/auto with dynamo	C28363	1
RHD/LHD manual/auto with alternator	C28362	1

Automatic gearbox	JL179	1
-------------------	-------	---

All other looms as per MK2

S-Type

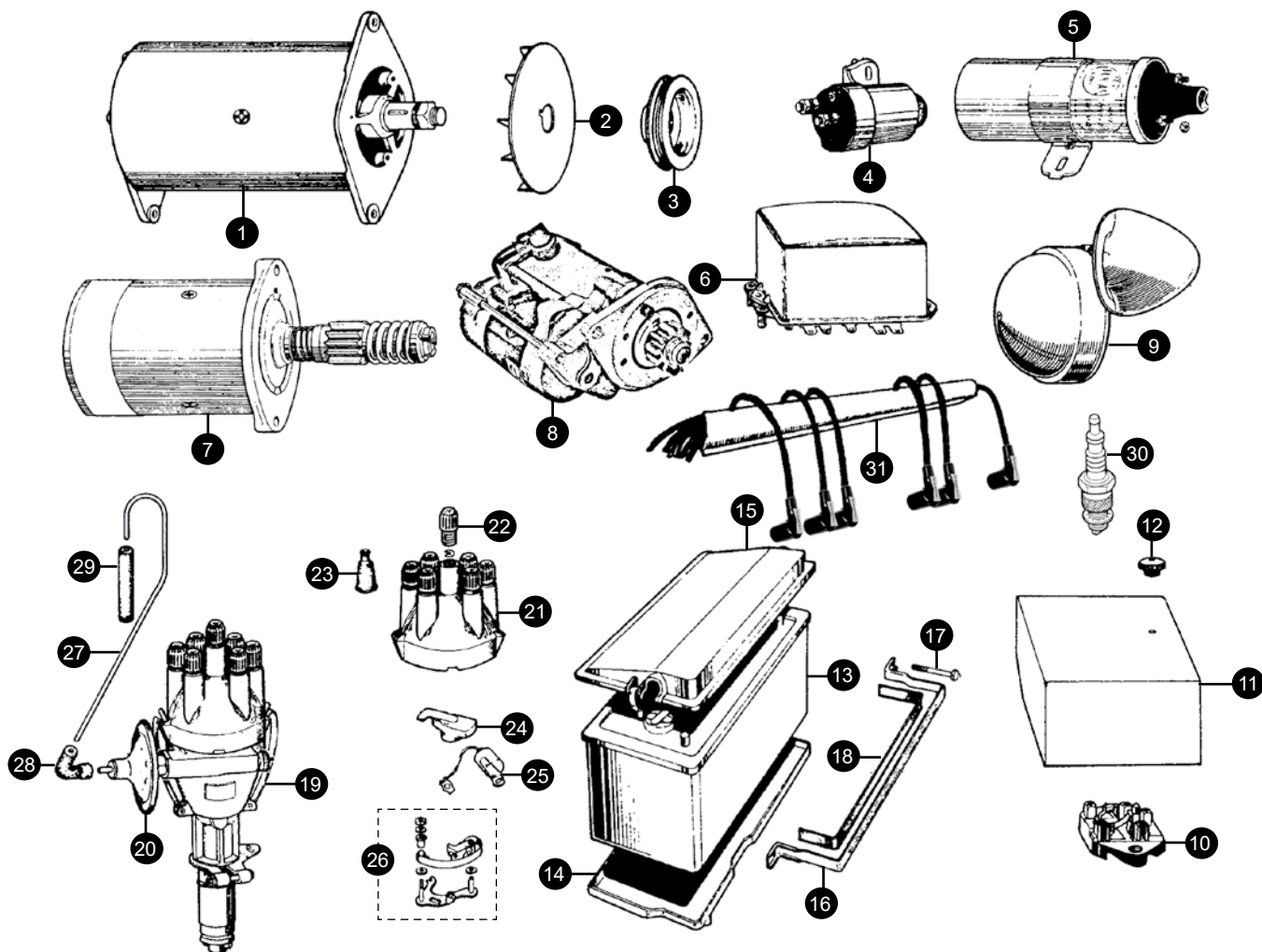
Main harness

RHD manual & automatic	JL211	1
LHD manual & automatic	JL221	1
RHD manual dash harness	JL212	1
RHD auto dash harness	JL232	1
LHD manual dash harness	JL222	1
LHD auto dash harness	JL242	1
Centre console with warning lights & glovebox	JL213	1
Boot lid	JL218	1
Body RH	JL215	1
Body LH	JL214	1
Interior lights	JL216	1
Foglamp, sidelamp & indicators	JL217	1

Miscellaneous Harness Fittings, Leads & Connectors.

Female connectors	single	3586	A/R
	twin	CWB301	A/R
5 way connector		3570	1
	strap	C2796	1
10 way connector		3582	1
	strap	C2797	1
Male bullet ends (pkt 20)		CWB320	A/R
Sleeve terminal (pkt 10)		EL1018	A/R
Earth clip		EL1035	A/R





1. Dynamo/alternator

MK2 dynamo

C45	22528 PAS	C15254R	1
C45	22496 Non PAS	C15255R	1
C48	22803 High output	C16461R	1
C42	22906 PAS	C16930R	1
C42	22902 Non PAS	C18286E	1
C48	22804 High output	C18488	1

S-Type dynamo

C42	22906 PAS	C16930R	1
C42	22902 Non PAS	C18286E	1
C48	22804 High Output	C18488R	1

Daimler V8

Dynamo C40	22716 All models	C20626	1
Alternator	All models	C25073E	1

2. Dynamo/alternator fan

MK2/S-Type dynamo	C7428	1
Daimler V8 dynamo	C21605	1
Daimler V8 alternator	605410J	1

3. Dynamo pulley

MK2/S-Type dynamo	single V belt	C14590	1
MK2/S-Type dynamo	double V belt	C19520	1
Daimler V8 dynamo		C20912	1
Daimler V8 alternator		C27447	1

4. Starter solenoid

	C19468	1
--	--------	---

5. Ignition coil

screw in	C8749	1
push in	C30120	1

6. Voltage control unit

MK2/S-Type/Daimler V8 2.5 (dynamo)			
RB340	25 amp	NCB131	1
	30 amp	C18287	1
Daimler V8 250 (alternator)		C22253	1

7. Standard starter motor

MK2/S-Type

Manual	standard	C12679E	1
Manual	modern high torque	USM002	
Automatic		C10980R	1

Daimler V8

Manual		C8786R	1
Automatic		C8786R	1

8. Uprated starter motor

Utilising modern technology and offering 200% more cranking power, lightweight and compact and uses far less current than conventional starters.

USM002	1
--------	---

9. Horn

Early	high tone	C5226R	1
	low tone	C5227	1

GENERAL ELECTRICS

Late high tone		C19081	1	Copper washer	C5452	7/9
low tone		C19080	1	Kit of 7 acorns and washers for 6cyl	SBS1010-B	1
10. Fusebox				23. HT lead acorn rubber cover	C2607	7
MK2/Daimler V8		C16510	1	24. Rotor arm		
S-Type		C16053	1	MK2/S-Type (bonded not rivetted!)	JLM263	1
				V8	DRB112C	1
11. Fusebox cover				25. Condenser		
All models small type		C12366	1	MK2/S-Type	JLM9656	1
large type		C20687	1	V8	136104/3	1
12. Fusebox cover nut		C5549	1	26. Contact set		
13. Rubber battery	all models	BATT242R	1	MK2 (DMBZ type)	C11990	1
14. Battery tray	all models	C26782	1	MK2/S-Type (22D6)	JLM9520	1
15. Battery cover	all models	C14346	1	Daimler V8	DSB110C	2
16. Battery fixing bracket	all models	C10186	1	27. Vacuum advance pipe	37H4229M	1
17. Battery bracket bolt	all models	C10187	2	28. Rubber tube connector	C14212	1
18. Battery bracket rubber	all models	C10188/1	1	29. Rubber elbow connector	C21573	1
19. Distributor assembly				30. Spark plug		
MK2 (DMBZ type)		C14269R	1	MK2 2.4/240	N5C	6
MK2/S-Type (22D6 type)		C25285R	1	MK2/S-Type 3.4/3.8	EAC8916	6
Daimler V8		136104R	1			
20. Distributor vacuum unit				Daimler V8	N5C	8
MK2 (DMBZ type)		7983	1	31. HT lead set		
MK2/S-Type (22D6)		9969	1	MK2/S-Type	SBS1010	1
Daimler V8		54424997	1			
21. Distributor cap				MK2/S-Type push in silicone lead set*	JLM332S	1
MK2 (DMBZ type)		6478	1	*Requires additional fitment of JLM9524 push in cap and C30120 push in coil		
MK2/S-Type (22D6)		JLM9523	1			
MK2 240 (side entry)		11573	1	V8	432659/2	1
Daimler V8		DDB118	1	V8 spark plug extensions	432665	8
22. HT lead acorn		C11906	7/9			

OILS, FLUIDS & CONSUMABLES

Oil 20W/50	gallon	MOR001
Oil 20W/50	1 litre	MOR002
Oil 15W/50	5 litre	MOR004
Oil 15W/50	1 litre	MOR005
Oil 10W/40	semi synthetic - 5 litre	MOR007
Oil 10W/40	semi synthetic - 1 litre	MOR008
Oil 5W/30	semi synthetic - 5 litre	MOR010
Oil 5W/30	semi synthetic - 1 litre	MOR011
Running in oil	5 litre	MOR013
Dextron 2 ATF	5 litre	MOR014
Dextron 2 ATF	1 litre	MOR015
EP80/90	gear oil - 5 litre	MOR020
EP80/90	gear oil - 1 litre	MOR021
LSD	gear oil - 5 litre	MOR022
Oil 10W/50	comp semi synthetic	MOR023
Mineral oil	1 litre	MOR025
Brake fluid	Dot 4 - 1 litre	MOR027
Brake fluid	Dot 4 - 500ML	MOR028
Carb cleaning spray		MOR029
MD4	maintenance spray	MOR030

Pavan	degreaser	MOR031
Prima	silicone spray	MOR032
Prise	anti seize spray	MOR033
Solvent brake cleaner		MOR034
LM grease	500gm tin	MOR035
Copper slip	500gm tin	MOR036
Liquimatic ATF	5 litres	MOR045
Rubber Grease	500gm tin	RUBBERGREASE

MORRIS
LUBRICANTS

We stock a full range of quality Morris Lubricants (blending oils in Shrewsbury since 1869) that are entirely suitable for both the classic and current Jaguar range.



ELECTRONIC IGNITION CONVERSION KITS

The constant changing of points and condensers on any Jaguar or Daimler is both inconvenient and time consuming. The later Jaguars all feature electronic ignition which comes with the obvious advantages of greater reliability, economy and maintenance free motoring. The kits we provide are all produced by leading manufacturers and are built to out last many of the cheaper kits that are available from many of our competitors! They are fairly easy to fit and require no further adjustment once they are in situ, so fit one and forget it!



Ignitor Electronic Ignition Kits

A solid-state electronic system... never change points again!

Test results show the Ignitor delivers twice the voltage to the spark plugs, increasing horsepower, fuel economy and plug life.

A 2:1 improvement over point type systems in current fall time for increased coil output.

System is designed for use with most point-type coils.

Rotating cobalt magnets, mounted on the distributor shaft, trigger an electronic switching module (Hall effect integrated circuit) ...no points to burn, pit and corrode ...no moving and rubbing parts to wear out.

Electronics are molded in epoxy, eliminating deterioration from dirt, oil, grease or moisture (better foul weather performance).

Fits entirely inside the distributor, no 'black box' to clutter your engine compartment. Stable timing... no need for any further adjustments.

No complicated wiring makes installations easy.

MK2 early DMBZ distributor type

Positive earth	XKDMBZ/P
Negative earth	XKDMBZ

MK2 & S-Type later 22D6 distributor type

Positive earth	XK22D/P
Negative earth	XK22D



Magnetronic Electronic Ignition Kits

Easier starting - Overcomes distributor wear - Increased fuel economy - Maintenance free - No permanent modification required - Fits within the distributor cap - Die cast aluminium module - OEM quality components

MK2 early DMBZ distributor type

Fitting kit FK124	Power unit PMA50
-------------------	------------------

MK2 & S-Type later 22D6 distributor type

Standard system	Fitting kit FK116	Power unit PMA50
Magnetronic system (negative earth only)	MTK005	

Daimler V8

Fitting kit FK123	Power unit PMA50
-------------------	------------------



123 Ignition System

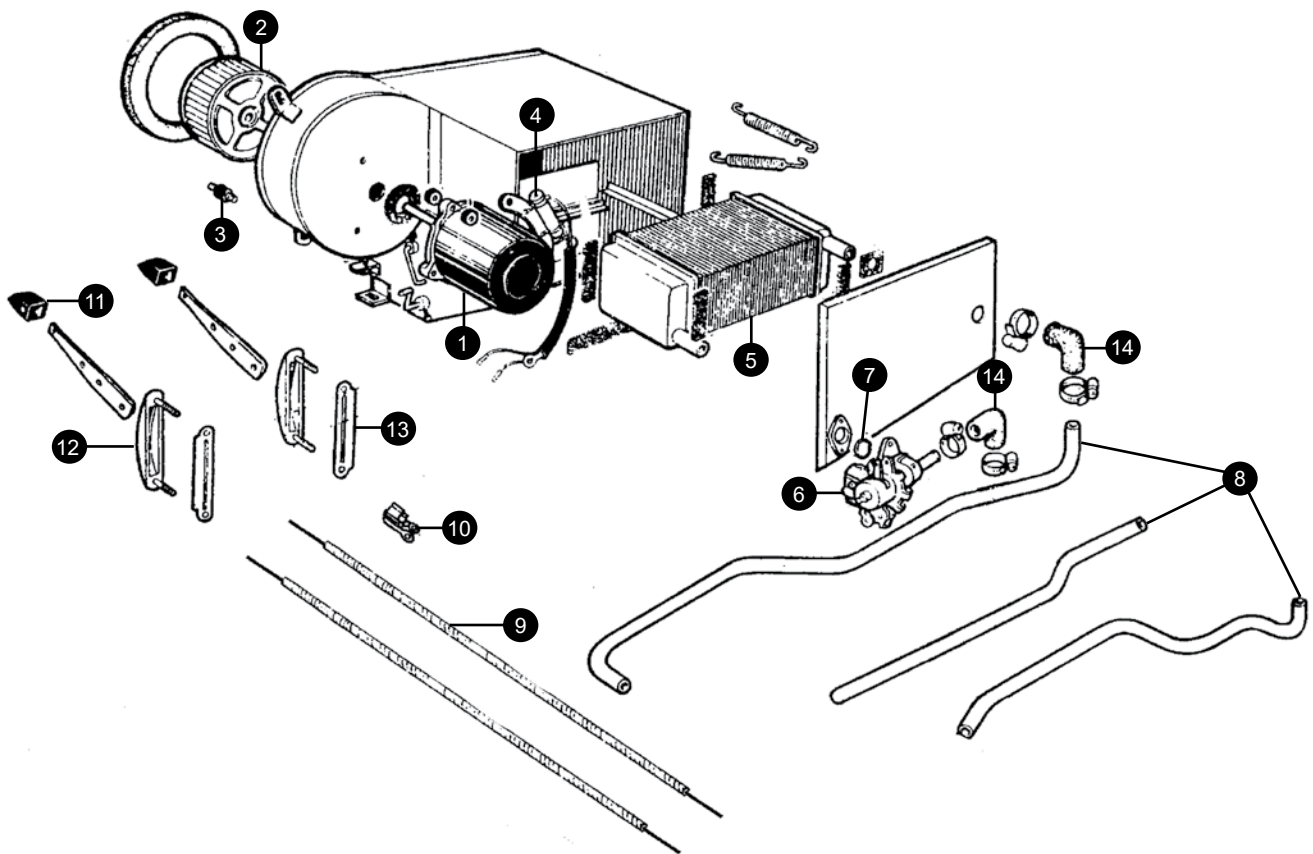
Available for Jaguars with six cylinder XK engines. This system replaces most 6 cyl. distributors that were used in 3.4, 3.8 litre and 4.2 litre 'XK' engines.

The unit offers 16 different advance-curves, that can be easily selected to your requirement. This is a great feature for easy fine-tuning your engine!

Positive earth	123IGN-POS
Negative earth	123IGN
Spare rotor arm	123IGN/RA

N.B. For maximum efficiency 123 recommend the additional fitment of a silicone HT lead set. **Part number:** JLM332S

MK2 & V8 HEATING SYSTEM

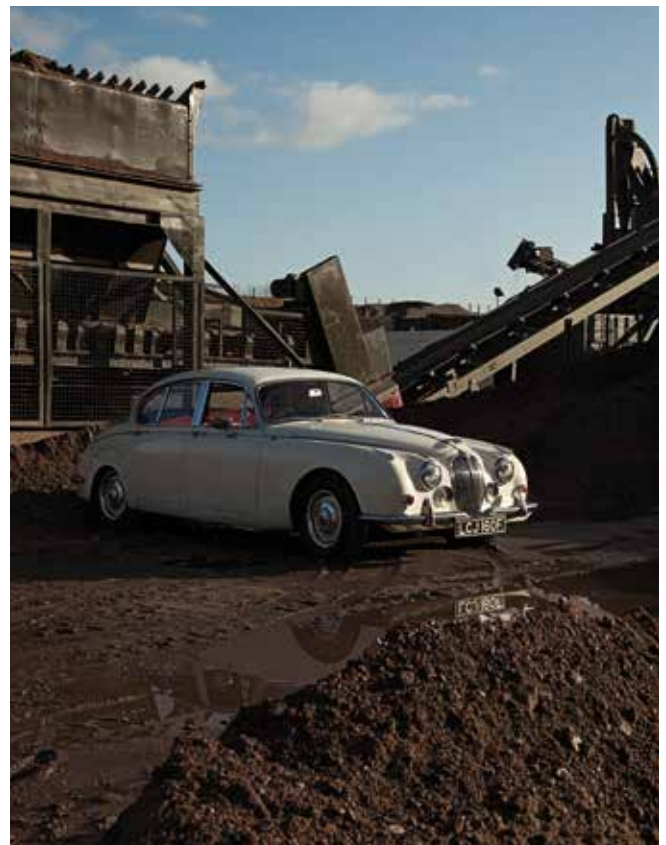


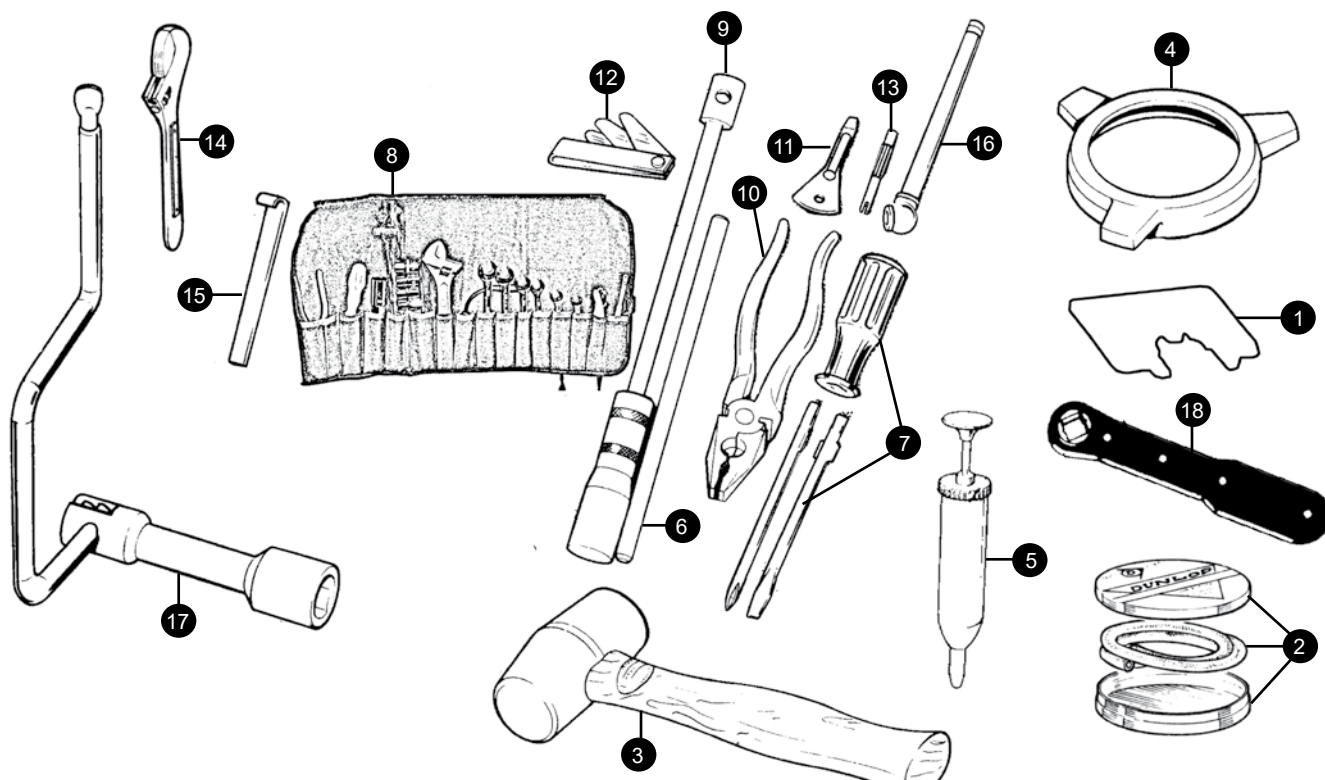
1. Heater fan motor	C15711	1
2. Heater fan	C15591	1
3. Heater mounting	C24792	3
4. Heater fan motor resistor	C33391	1
5. Heater matrix	C15513	1
6. Heater valve	C16559	1
7. Heater valve seal	C9928	1
8. Heater water pipe kit		
2.4/240	HTP8SS	1
3.4/3.8	SBS9226	1
S-Type	HTP7SS	1
Daimler V8	HTP6SS	1
9. Heater control cable	C21373	2
10. Cable attachment clip	C13824	2
12. Heater control lever knob	C15719	2
13. Heater indicator plate		
Hot/Cold	BD11445	1
Car/Screen	C15594	1
14. Heater elbow hose*	C16655	2

*Included in full hose kits on page 35

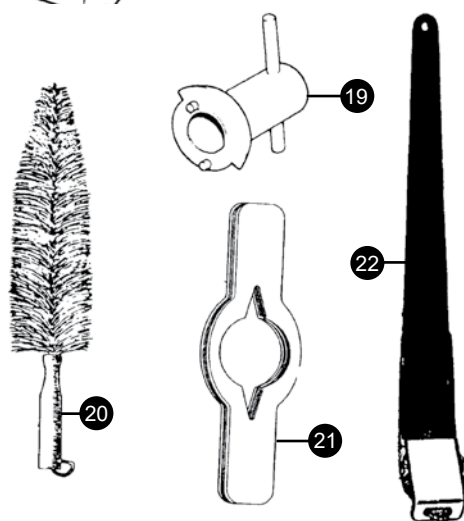
S-Type Heater System

Unfortunately very little is available for the S-Type heater. Occasionally however we purchase batches of old stock that appear from time to time, so please feel free to contact us with your requirements.





1. Cam gauge MK2/S-Type only	C3993	1
2. Dunlop bleeder tube tin	C13620	1
3. Copper hide Mallet 'THOR' type	C992	1
4. Spinner removal tool Cars with 3 eared spinners only	C28687	1
5. Grease/oil gun	C13269	1
6. Tommy bar	C2896	1
7. Screwdriver	C20482	1
8. Universal Imperial tool roll set Set of good quality emergency tools in a green canvas roll	SBS1082	1
9. Spark plug box spanner	C10155	1
10. Pliers	C996	1
11. Distributor screwdriver	C5444	1
12. Feeler gauge	C5587	1
13. Tyre valve key	C993BRASS	1
14. Adjustable spanner	C4651	1
15. Hub cap removal tool Cars with pressed steel wheels only	C26864	1
16. Tyre pressure gauge	C11753/W	1
17. Wheel nut brace Cars with pressed steel wheels only	BDC9205	1
18. Jacking ratchet	C27873	1



19. Timing chain adjuster tool	SBS1265	1
Adjusting the timing chains on any 6 cylinder Jaguar engine has always been a tedious job. Now SNG Barratt can now provide you with a 'budget priced' alternative to the tool that the garages and restorers use.		
20. Wire wheel cleaning brush	SBS9200	1
21. Wooden spinner saver	SBS9306	1
Used to tighten or remove 2 eared spinners. Fits over the spinner allowing you to hit the saver instead of your spinners!		
22. Extending spinner removal tool	AC1016	1
Allows you to remove two eared spinners using leverage rather than brute force and temper!		
Storage pouch	AC1016P	1

MOTIFS & DECALS



MK2/V8/S-Type with fogs C15447
MK2/V8/S-Type without fogs C15449



C19637



Red running-in sticker with instructions on reverse RIS001R

SBS1021



UK tax disc holder
BD24427



UK tax disc holder
BD21181

JAGUAR CARS LTD. COVENTRY, ENGLAND.							
CAR No. []		ENGINE No. []		GEAR BOX No. []		BODY No. []	
RECOMMENDED LUBRICANTS							
SEASON	MOBIL	CASTROL	SHELL	ESSO	B.P.	DUCKHAM	REGENT
SUMMER	MOBILIN 5	CASTROL 30	S 100	ESSO EXTRA 20W/30	ENERGOL 30	NOL 20	ADVANCED HAYOLINE 20
WINTER	MOBILIN 5B	CASTROLIFE 30	S 100	ESSO EXTRA 20W/30	ENERGOL 28	NOL 20	ADVANCED HAYOLINE 20-20
TROPICAL	MOBILIN 5	CASTROL 30	S 100	ESSO EXTRA 20W/30	ENERGOL 28	NOL 20	ADVANCED HAYOLINE 20-20
GEAR BOX	MOBILUBI 68	CASTROL 68	SPRAX 68 EP	GIAR OIL 68	ENERGOL 68	NYPID 68	UNIVERSAL TRUCKMAN 90
REAR AXLE	MOBILUBI 68	CASTROL 68	SPRAX 68 EP	GIAR OIL 68	ENERGOL 68	NYPID 68	UNIVERSAL TRUCKMAN 90
STEERING BOX	MOBILGREASE MP	CASTROLGLASS LM	RETINAX 4	ESSO MULTI-GREASE M	ENERGEGREASE L2	18 10	MARFAK MULTI-PURPOSE 3
WHEEL HUBS	MOBILGREASE MP	CASTROLGLASS LM	RETINAX 4	ESSO MULTI-GREASE M	ENERGEGREASE L2	18 10	MARFAK MULTI-PURPOSE 3
VALVE CLEARANCE (COLD) INLET				INS. EXHAUST		INS.	

MK2
CP365

Daimler V8
CP337

S-Type ID0084



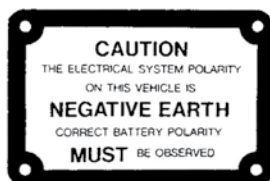
ID0007



ID0006 to 1964 ID0089 1965-1971



DCL1004



C23898



ID0042



BD23927



7" BD10954



5" BD29644

BD17737



Hub cap C3367



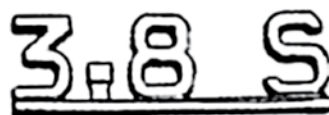
BD26762



BD26763



BD26764



BD26765



BD24520



BD32126



BD26763



BD24521

Grille Badges



2.4 BD11497



3.4 BD12448



3.8 BD17736



BD27195



BD27196



BD32703



BD31034



BD27194

INTERIOR TRIM

Jaguar MK2

JMK2/FSC1	Front Seat Covers 7 pleats pair
JMK2/FSC2	Front Seat Covers 8 pleats pair
JMK2/RSC	Rear Seat Covers
JMK2/DRP	Door Panels (inc armrest + pockets) set of 4
JMK2/CA1	Carpet Set
JMK2/HL1	Headlining Kit - Grey
JMK2/HL2	Headlining Kit - Beige
JMK2/HL3	Headlining Kit - Green
JMK2/AP	A Post Trims pair
JMK2/BP	B Post Trims pair
JMK2/CP	C Post Trims pair
JMK2/DP	D Post Trims, leather pair
JMK2/RPS	Rear Parcel Shelf
JMK2/SP1	Soundproofing Kit (underfelt)
JMK2/UP	Underdash Trim for passenger side only
JMK2/CC	Centre Console Kit
JMK2/RC	Radio Console Kit
JMK2/FF	Furflex Kit
JMK2/BM1	Boot Mat (as original in black)
JMK2/V	0.5 mtr Vinyl x 54 inches wide
JMK2/RSCV	Rear Seat Vinyl (30cms x 200cms)
JMK2/PFIX	Panel Fixing Kit - 80 pcs
JMK2/CAFIX	Carpet Fixing Kit - 20 pcs
JMK2/FTK	Full trim kit

OPTIONAL ITEMS

JMK2/FSF1	Front Seat Base Foams pair
JMK2/FSF2	Front Seat Backrest Foams pair
JMK2/RFS1	Rear Seat Base Foam
JMK2/RSF2	Rear Seat Backrest Foam
JMK2/BSP1	Boot Side Trims (as orig in dark grey) pair
JMK2/BSP2	Boot Side Trims (other colours) pair
BD18039	Boot Mat (adding suffix for colour from black-BK, blue-BL, grey-GY, red-RED).
BD11605	Furflex trim - add suffix for colour from beige-BEI, blue-BLE, black-BLK, burgundy-BUR, green-GRN, grey-GRY, red-RED, tan-TAN each part number is enough for one car.
BD11605TACK	Wooden tacking strip for furflex per metre
JMK2/SV1	Sunvisors without Chromes, fully trimmed pair
JMK2/SV2	Sunvisor Foams only pair
JMK2/GB	Glove Box Inner
JMK2/GLG	Gear Lever Gaitor, in leather
JMK2/FFT	Furflex Tacking Strip (req approx 9m)
JMK2/BUFF	Door Buffers (stoppers) set
JMK2/AR1	Front Armrests Fully Trimmed pair
JMK2/AR2	Front Armrest Covers only each
JMK2/FSCV	Front Seat Covers in Vinyl pair
JMK2/RSCV	Rear Seat Cover in Vinyl
JMK2/CA2	Front Footwell Carpets pair
JMK2/CA3	Rear Footwell Carpets pair
JMK2/SP2	Soundproofing Mats, Front only pair

Jaguar S-Type

JSTYPE/FSC1	Front Seat Covers - perforated pair
JSTYPE/FSC2	Front Seat Covers - plain pair
JSTYPE/RSC1	Rear Seat Cover - perforated
JSTYPE/RSC2	Rear Seat Covers - plain
JSTYPE/DRP	Door Panel - Set including rear armrests
JSTYPE/CA1	Carpet Set - Wool
JSTYPE/HL1	Headlining Kit - Grey Wool Cloth
JSTYPE/HL2	Headlining Kit - Grey Nylon Cloth
JSTYPE/HL3	Headlining Kit - Beige Wool Cloth
JSTYPE/HL4	Headlining Kit - Beige Nylon Cloth
JSTYPE/AP	A Post Panels pair
JSTYPE/BP	B Post Panels pair
JSTYPE/CP	C Post Panels pair
JSTYPE/DP	D Post Panels pair
JSTYPE/RPS	Rear Parcel Shelf
JSTYPE/SP	Soundproofing Kit
JSTYPE/SVC	Carpet for Underdash Shelf
JSTYPE/CC	Centre Console Kit
JSTYPE/FF	Furflex Kit
JSTYPE/BM1	Boot Mat - as original Black
JSTYPE/V	0.5 mtr Vinyl
JSTYPE/RSV	Rear Seat Vinyl
JSTYPE/PFIX	Panel Fixing Kit
JSTYPE/CAFIX	Carpet Fixing Kit

JSTYPE/FTK1	Full Trim Kit - with Wool Headlining Kit
JSTYPE/FTK2	Full Trim Kit - with Nylon Headlining Kit

OPTIONAL ITEMS

JSTYPE/FSF1	Front Seat Base Foams pair
JSTYPE/FSF2	Front Seat Backrest Foams pair
JSTYPE/BSP1	Boot Side Panels - as original Black pair
JSTYPE/BSP2	Boot Side Panels - as per interior trim colour pair
BD26466	Boot Mat (adding suffix for colour from black-BK, grey-GY).
BD11605	Furflex trim - add suffix for colour from beige-BEI, blue-BLE, black-BLK, burgundy-BUR, green-GRN, grey-GRY, red-RED, tan-TAN each part number is enough for one car.
BD11605TACK	Wooden tacking strip for furflex per metre
JSTYPE/SV1	Sunvisors - Trimmed in Grey pair
JSTYPE/SV2	Sunvisors - Trimmed in Beige pair
JSTYPE/SVC	Sunvisor Chromes pair
JSTYPE/GLG	Gear Lever Gaitor
JSTYPE/CA2	Front Footwell Mats - Wool pair
JSTYPE/CA3	Rear Footwell Mats - Wool pair
JSTYPE/SP2	Front Footwell Underfelts pair

Daimler V8

JDAV8/FSC1	Front Seat Covers (16 pleats - perforated) pair
JDAV8/FSC2	Front Seat Covers (16 pleats - plain) pair
JDAV8/RSC1	Rear Seat Covers (16 pleats - perforated) set
JDAV8/RSC3	Rear Seat Covers (16 pleats - plain) set
JDAV8/FSC4	Front Seat Cover (9 pleats - plain) pair
JDAV8/RSC4	Rear Seat Cover (9 pleats - plain) set
JDAV8/DRP	Door Panels (with armrests and pockets) set
JDAV8/CA1	Carpet Set - Wool
JDAV8/HL1	Headlining Kit Grey
JDAV8/HL2	Headlining Kit Beige
JDAV8/HL3	Headlining Kit Green
JDAV8/AP	A Post Trims pair
JDAV8/BP	B Post Trims pair
JDAV8/CP	C Post Trims pair
JDAV8/DP	D Post Trims (Leather) pair
JDAV8/RPS	Rear Parcel Shelf
JDAV8/SP	Soundproofing Kit (underfelt)
JDAV8/UP	Underdash Panel on Passenger Side
JDAV8/RC	Radio Console Kit (Leather)
JDAV8/FF	Furflex Kit (draught excluder)
JDAV8/BM1	Boot Mat (original Black)
JDAV8/V	0.5 Mtr Vinyl
JDAV8/RSC	Rear Seat Vinyl (30 x 200cm)
JDAV8/PFIX	Panel fixing Kit (80pcs)
JDAV8/CFIX	Carpet Fixing Kit (20pcs)

JDAV8/FTK	Full trim kit (16 Pleats)
JDAV8/FTK2	Full trim kit (9 Pleats)

OPTIONAL ITEMS

BD18039	Boot Mat (adding suffix for colour from black-BK, blue-BL, grey-GY, red-RED.)
BD11605	Furflex trim - add suffix for colour from beige-BEI, blue-BLE, black-BLK, burgundy-BUR, green-GRN, grey-GRY, red-RED, tan- TAN each part number is enough for one car.
BD11605TACK	Wooden tacking strip for furflex per metre
JDAV8/FSF	Front Seat Base Foams pair
JDAV8/BSP1	Boot Side Panels (original Dark Grey) pair
JDAV8/BSP2	Boot Side Trims (as per interior colour) pair
JDAV8/SV2	Sunvisors Untrimmed pair
JDAV8/SV1	Sunvisors Trimmed (without Chromes) pair
JDAV8/GB	Dashboard Glovebox
JDAV8/CA2	Front Footwell Carpets - Wool pair
JDAV8/FFT	Furflex Tacking Strip (req. approx. 9metres)
JDAV8/HDRP	Untrimmed Door Panel Boards each

Seatbelts



Lap belts- a period style belt with chrome lift buckle and chrome leaping cat motif suitable for the front and rear.

Black	BF2004/1
Grey	BF2004/2
Red	BF2004/3
Tan	BF2004/11

Eyebolt mounting kit for one lap belt BF2005

3 point fixing belts- a period style belt with chrome lift buckle and chrome leaping cat motif suitable for the front only. The mounting point on the B post must be created in order to fit them and all the necessary fittings and fixings are included.

Black	BF2012/1
Grey	BF2012/2
Red	BF2012/3
Tan	BF2012/11



Securon belts are made in the UK and can be used to replace existing seatbelts or to provide safety restraint in cars with no original fitment.

Static front	SB300/45	2
Static rear	SB200	2
Rear centre lap	SB210	1
Inertia front	SB500/45	2
Inertia rear	SB254	2
Centre lap	SB210	1

INDEX

A

Accelerator Pedal Rubber	44/46
Air Filters	15
Anti-Roll Bar	23
Automatic Gearbox	19

B

Badges, front	65
Badges, rear	65
Ball joints	23
Battery	60
Battery Bracket Assembly	60
Bearing Set, camshaft	10
Bearing Set, con rod	5
Bearing Set, main	5
Bearings, rear axle	20/21
Block, cylinder	4
Body Panels	39
Body Rubbers	43/45
Bonnet Buffers	44/46
Boot Lock	50
Boot Seal	44/46
Brake Calipers	27/28/29
Brake Disc/Pads	27/28/29
Brake Hoses	31
Brake Upgrade Kits	28
Brake Master Cylinder	31
Brake Pad Set	27/28/29
Brake Pipe Kit	32
Brake Wheel Cylinder (Dunlop)	27
Brake Wheel Cyl Repair Kit	27
Bulbs	52/53
Bumpers & fittings	48
Bushes, front suspension	23
Bushes, rear suspension	24/25

C

Camshaft Bearings	10
Camshaft Follower	10
Carburettor Components	14
Carburettor Rebuild Kits	16
Carburettors	14
Carpet Kits	66/67
Chassis Plates	64
Clutch Cover	17
Clutch Kit	17
Clutch Master Cylinder	17
Clutch Pipe (flexible)	17
Clutch Plate	17
Clutch Release Bearing	17
Clutch Release Lever	17
Clutch Slave Cylinder	17
Clutch Slave Cyl Repair Kit	17
Condenser	60
Connecting Rods	5
Connectors, electrical	58
Contact Breakers	60

D

Dash Knob Set	57
Decals	64
Differential	21
Dipstick, engine	5
Distributor	60
Distributor Cap	60
Door Fittings	50
Door Glass	47
Door Handle	50
Door Locks	50
Door Seals	43/45
Door Skins	39
Dynamo	59
Dynamo Pulley	59

E

Engine Lock Tab Set	6
Engine Mountings	5
Engine ID/No Plates	64
Exhaust Systems	36/37
Exhaust Manifold	11

F

Fan Belt	35
Fan, Kenlowe, electric	35
Flasher Unit	57
Float (Carburettor)	16
Float Needle & Seats	16
Flywheel	5
Flywheel Bolts	5

Fuel Cap	38
Fuel Gauge	56
Fuel Pipes	38
Fuel Pump Assembly	38
Fuel Sender Unit	38
Fuel Tank	38
Fuse Box & Fuses	60

G

Gasket Set, cylinder head	11
Gasket Set, bottom end	7
Gasket Set, gearbox	18
Gauges	56
Gear Lever	18
Gear Lever Gaiter	43/45
Gear Lever Knob	18
Gearbox, Automatic	19
Gearbox Gasket Set	18
Gearbox, Manual	18
Gearbox Mountings	18
Grille, radiator	50

H

HT Lead/Set	60
Half shafts Universal Joints	26
Handbrake Cable	32
Handbrake Components	27/30
Handbrake Pad Set	27/30
Headlamp Assemblies	52
Headlamp Rim	52
Headliner Kit	66/67
Heater	62
Heater Control Cables	62
Heater Matrix	62
Heater Motor	62
Horn	60
Horn Push	57
Hose kit	35
Hub Cap	33
Hub, wire wheel, front	22
Hub, wire wheel, rear	20/26

I

Identification Plates	64
Ignition Coil	59
Ignition Systems, electronic	61
Indicator lamps	51/53
Instruments	56

J

Jack Ratchet Handle	63
Jet Assembly (SU Carb)	16

K

Knock Off Hammer	63
Knock Offs (Spinners)	33

L

Lamp (Map): Dashboard	52
Lamp: Indicators (front/rear)	51/53
Lamp: Number plate	51/53
Lamp: Tail Assembly	51/53
Locking wire	25

M

Manifold, exhaust	11
Manifold, inlet	10
Map lamp	52
Mirrors	50
Mountings, Engine	5

N

Needles (Carbs)	16
Number Plate Lamp	51/53
Nut, cylinder head	11

O

Oil Filter Spin Off Kit	9
Oil Filter Element	9
Oil Pressure Release Valve	9
Oil Pressure Sender Unit	57
Oil Pump	7
Oil Seals, rear axle	20
Over rider	48

P

Piston, Brake Caliper	27/28/29
Piston Ring Sets	5
Piston Sets	5
Polybush Kits	23
Production Data	2
Propshaft & Fittings	19
Pulley, crankshaft	5
Pulley, dynamo	59

R

Radiator	35
Radiator Cap	35
Radiator Hose Kits	35
Rear Axle Differential	20/21
Rear lamps	51/53
Relay Unit, indicator	57
Release (Clutch) Bearing	17
Rotor Arm	60

S

Seal Kit, brake master cyl	31
Seal Kit, front & rear brakes	25/26/27
Seal Kit, clutch master cyl	17
Seal Kit, clutch slave cyl	17
Seat Belts	67
Sender Unit, Brake Fluid	31
Sender Unit, Fuel	38
Sender Unit, Oil pressure	57
Sender Unit, Temperature	57
Shock Absorber, front	22
Shock Absorber, rear	24/26
Sills	40/42
Spark Plug	60
Speedometer	56
Speedometer Cable	57
Spinners	33
Spring, rear, coil	26
Spring, rear, leaf	24
Sprocket, camshaft	12
Sprocket, crankshaft	6
Steering Column Bushes	34
Steering Joints	22
Steering UJ	34
Steering Wheel	34
Stud, cylinder head	5
Stud, exhaust manifold	10
Sump	6
Suspension Overhaul Kits	23
Switches	56/57
Synchro Ring, gearbox	18

T

Tachometer	56
Tail lamp	53
Tappet (Cam Follower)	10
Thermostat	11
Timing Chain	12
Timing Chain Kits	12
Timing Chain Tensioner	12
Tools	63
Tools	12
Trim Kits	66/67

U

Universal Joint, driveshaft	26
Universal Joint, propshaft	19
Universal Joint, steering	34

V

Vacuum Advance Pipe	60
Vacuum Advance Unit	60
Valve Guides	11
Valve, engine	11

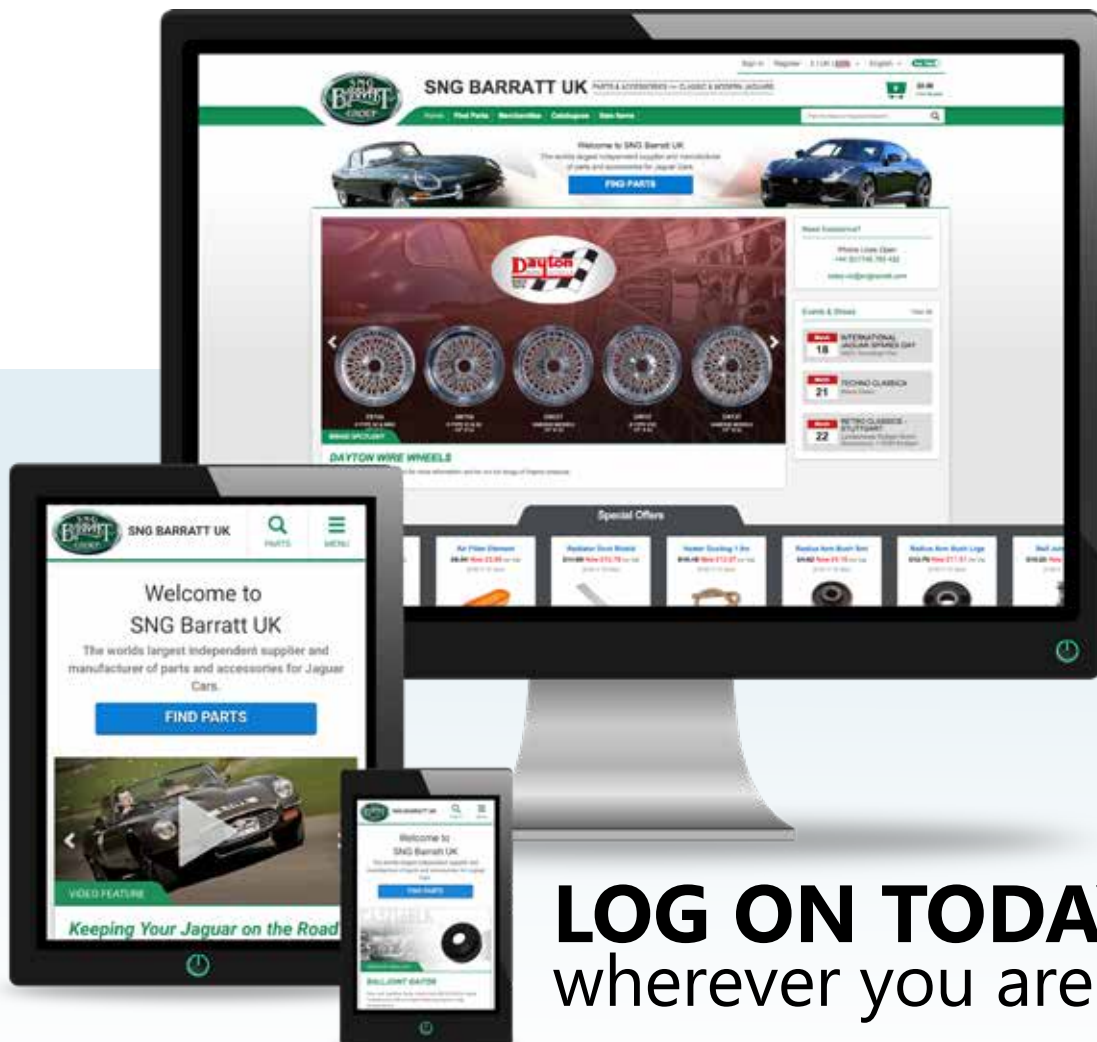
W

Washer Bottle	55
Washer Foot Valve	55
Washer Jet Assembly	55
Water Pump	8
Wheels, wire	33
Windows	47
Windscreen	47
Wiper Arm	55
Wiper Blade	55
Wiper Motor	55
Wire Wheel Brush	33
Wiring Looms	58



Order your parts online...

- ✓ Modern and dynamic look
- ✓ Easier and faster Parts Finder for easier ordering
- ✓ Updated illustrations for E-Type and XK
- ✓ Multi-lingual including French, Dutch and German
- ✓ Phone and tablet compatible



LOG ON TODAY
wherever you are

www.sngbarratt.com

ALL MODELS COVERED • UPGRADES • PARTS MADE IN HOUSE
OVER 50,000 PARTS AVAILABLE • EASY ONLINE ORDERING

S·N·G
BARRATT
GROUP

www.sngbarratt.com